

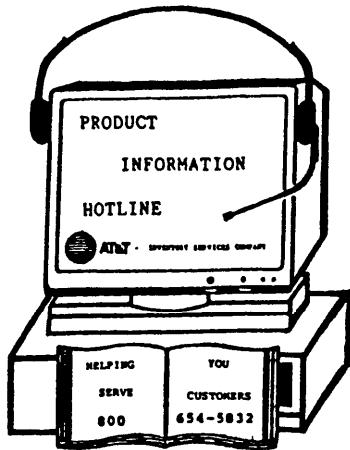
*
A
T
&
T

M
E
R
L
I
N

1
0
/
3
0
-
3
0
/
7
0

A
T
&
T

M
E
R
L
I
N



The " ROADRUNNERS "



SOURCE BOOK FOR:

" THE MERLIN 1030/3070 COMMUNICATION SYSTEM "

SELECT CODE 518-600-131

*AT&T MERLIN SYSTEM 10/30-30/70 AT&T MERLIN SYSTEM 10/30-30/70

AT&T PROPRIETARY - USE PURSUANT TO COMPANY INSTRUCTIONS

SECOND EDITION

7/91

*
A
T
&
T

M
E
R
L
I
N

1
0
/
3
0
-
3
0
/
7
0

A
T
&
T

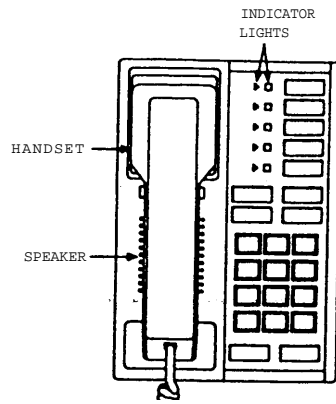
M
E
R
L
I
N

*
A
T
&
T

M
E
R
L
I
N

*
A
T
&
T

M
E
R
L
I
N



SET TEL 7302H
(5 BUTTON SET)

1
0
/
3
0
-
3
0
/
7
0

A
T
&
T

M
E
R
L
I
N

I(A)
N

1
0
/
3
0

1
0
/
3
0
-
3
0
/
7
0

A
T
&
T

M
E
R
L
I
N

I
N

1
0
/
3
0

PEC CODE	DESCRIPTION	COMCODE
3160-111	SET TEL 7302H01C-03 (BLACK)	103960548
3160-CLR	SET TEL 7302H01C-58 (WHITE)	103960555
3160-CLR	SET TEL 7302H01C-104 (BROWN)	103960563
3160-111	SET TEL 7302H01D-03 (BLACK)	105217426
3160-CLR	SET TEL 7302H01CA-139 (GRAY)	103973814
3160-CLR	SET TEL 7302H01CA-142 (MID BLUE)	1039738322
3160-CLR	SET TEL 7302H01CA-143 (BURGUNDY)	103973830
3160-CLR	SET TEL 7302H01CA-144 (CINNABAR)	103973848
10023x	DESIGNATION STRIPS	844033393
I(A) 32004	STAND 10A (5/10 BUTTON FIXED)	103746848
(B) 32000	STAND 14A (DESK/WALL)	103804290
32000	INSTALLATION KIT D181230 (FOR 14A)	103995882

*
A
T
&
T

M
E
R
L
I
N

1
0
/
3
0
-
3
0
/
7
0

A
T
&
T

M
E
R
L
I
N

1
0
/
3
0
* AT&T MERLIN SYSTEM 10/30-30/70

*
A
T
&
T

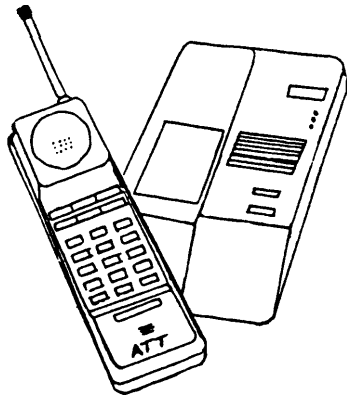
M
E
R
L
I
N

1
0
/
3
0
-
3
0
/
7
0

A
T
&
T

M
E
R
L
I
N

1
0
/
3
0



SET TEL 7312H
(5 BUTTON CORDLESS SET)

PEC CODE	DESCRIPTION	COMCODE
3168MLC	SET TEL 7312H01A-03 (BLACK)	105515332
	SET TEL 7312H01A-215 (MISTY CREAM)	105529333
	BATTERY 270AA-SJC	405154956
	HANDSET ANTENNA (TELESCOPING)	403646938
	HANDSET ANTENNA (FLEXIBLE)	846184133
	BASE ANTENNA (TELESCOPING)	403646946
	ADAPTER CLIP CARRYING	846169498
	CARRYING CASE	846169340
3168KIT	SITE EVALUATION TEST KIT	406069260

*HANDSET NOT ORDERABLE SEPARATELY

*
A
T
&
T

M
E
R
L
I
N

1
0
/
3
0
-
3
0
/
7
0

A
T
&
T

M
E
R
L
I
N

1
0
/
3
0
0

*
A
T
&
T

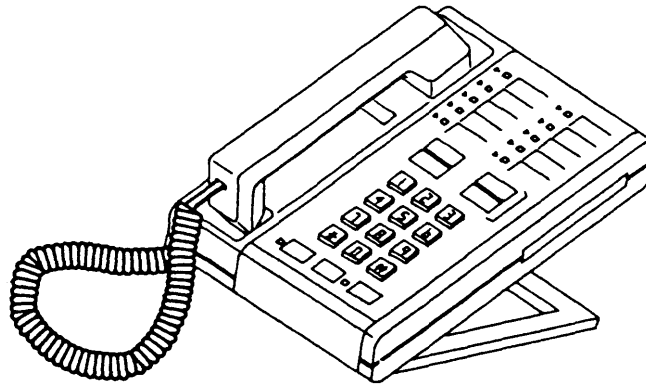
M
E
R
L
I
N

1
0
/
3
0
-
3
0
/
7
0

A
T
&
T

M
E
R
L
I
N

1
0
/
3
0
0



SET TEL 7303H
(10 BUTTON SET)

PEC CODE	DESCRIPTION	COMCODE
* 3161-172	SET TEL 7303H01B-03 (BLACK)	103841979
3161-173	SET TEL 7303H01B-03 / COMES WITH HANDS FREE UNIT S102A (103953790)	103841979
* 3161-CLR	SET TEL 7303H01B-58 (WHITE)	103841987
* 161-CLR	SET TEL 7303H01B-104 (BROWN)	103841995
* 3161-CLR	SET TEL 7303H01B-139 (GRAY)	103842001
* 3161-CLR	SET TEL 7303H01B-142 (MID BLUE)	103842019
* 3161-CLR	SET TEL 7303H01B-143 (BURGUNDY)	103842027
* 3161-CLR	SET TEL 7303H01B-144 (CINNABAR)	103842035
	SET TEL 7303H01C-03 (BLACK)	103960613

*INCLUDES 14FT MOUNTING CORD & FIXED PLASTIC DESK STAND

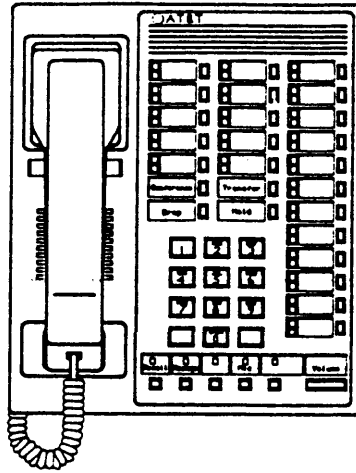
CONTINUED ON NEXT PAGE

A
T
&
T

M
E
R
L
I
N

A
T
&
T

M
E
R
L
I
N



SET TEL 7314H
(22 BUTTON SET W/BUILT IN SPEAKER PHONE)

1
0
/
3
0
-
3
0
/
7
0

1
0
/
3
0
-
3
0
/
7
0

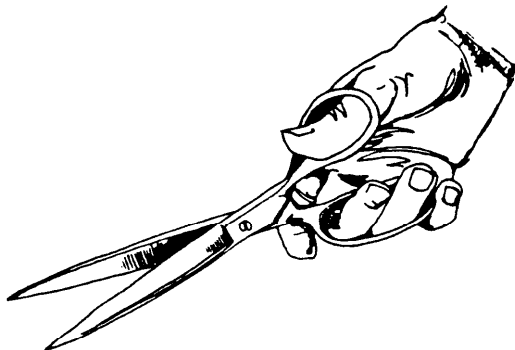
PEC CODE	DESCRIPTION	COMCODE
3166-22B	SET TEL 7314H01A-03 (BLACK)	105188809
	SET TEL 7314H01B-03 (BLACK)	105630370
	SET TEL 7314H01B-215 (MISTY)	105630396
10357X	SILVER GRAPHICS	105336960
10360X	CLEAR FACE PLATE	105336986

A
T
&
T

A
T
&
T

M
E
R
L
I
N

M
E
R
L
I
N



QUALITY: DON'T CUT IT

1
0
/
3
0

1
0
/
3
0

*
A
T
&
T

M
E
R
L
I
N

1
0
/
3
0
-
3
0
/
7
0

A
T
&
T

M
E
R
L
I
N

1
0
/
3
0
*AT&T MERLIN SYSTEM 10/30-30/70 AT&T MERLIN SYSTEM 10/30-30/70

*
A
T
&
T

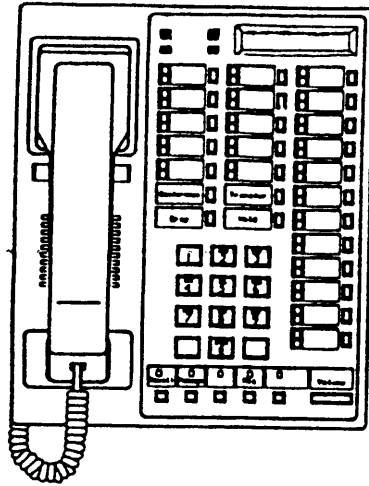
M
E
R
L
I
N

1
0
/
3
0
-
3
0
/
7
0

A
T
&
T

M
E
R
L
I
N

1
0
/
3
0



SET TEL 7315H
(22 BUTTON SET W/BUILT IN SPEAKER PHONE)

PEC CODE	DESCRIPTION	COMCODE
3166-DSB	SET TEL 7315H01B-03 (WITH DISPLAY)	105630420
	SET TEL 7315H01B-215 (WITH DISPLAY)	105630453
10504X	SILVER GRAPHICS	105690770
10505X	CLEAR FACE PLATE	105690762

NOTE: WITH THE FEATURE PACKAGE 2, THE LINE BUTTONS NORMALLY LIMITED TO OUTSIDE LINES, CAN BE PROGRAMMED WITH CUSTOM FEATURES.

A
T
&
T

M
E
R
L
I
N

1
0
/
3
0
-
3
0
/
7
0

A
T
&
T

M
E
R
L
I
N

1
0
/
3
0

A
T
&
T

M
E
R
L
I
N

1
0
/
3
0
-
3
0
/
7
0

A
T
&
T

M
E
R
L
I
N

1
0
/
3
0

SET TEL 7305H
(34 BUTTON SET)

PEC CODE	DESCRIPTION	COMCODE
34 BUTTON DELUXE		
3162-417	SET TEL 7305H02B-03 (BLACK)	103843538
3162-417	SET TEL 7305H02D-03 (BLACK)	105217715
	SET TEL 7305H02D-215 (BLACK)	105217780
10024X	DESIGNATION STRIPS	844030809
34 BUTTON HAFI		
3162-BIS	SET TEL 7305H03C-03 (BLACK)	103981965
3162-DIS	SET TEL 7305H04C-03 (WITH DISPLAY)	103981981
10099X	SILVER GRAPHICS	105217376
10361x	CLEAR FACE PLATE	105203194

NOTE: WITH THE FEATURE PACKAGE 2, THE LINE BUTTONS NORMALLY LIMITED TO OUTSIDE LINES, CAN BE PROGRAMMED WITH CUSTOM FEATURES.

CONTINUED ON NEXT PAGE

*

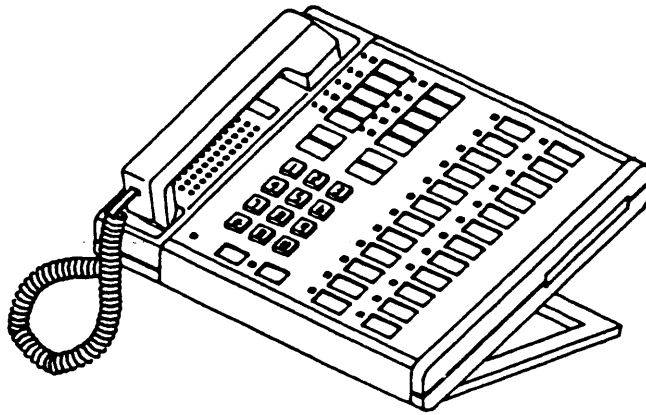
*

A
T
&
T

M
E
R
L
I
N

A
T
&
T

M
E
R
L
I
N



1
0
/
3
0
—

1
0
/
3
0
—

SET TEL 7305H
(34 BUTTON SET)
CONTINUED

3
0
/
7
0

A
T
&
T

M
E
R
L
I
N
(E)
(F)

3
0
/
7
0

A
T
&
T

M
E
R
L
I
N

PEC CODE	DESCRIPTION	COMCODE
34 BUTTON BIS		
3167-34B	SET TEL 7316H01A-03 (BLACK)	105309074
3167-34C	SET TEL 7316H01A-215 (MISTY CREAM)	105309082
3167-05B	SET TEL 7317H01A-03 (WITH DISPLAY)	105167027
10358X	SILVER GRAPHICS	105336952
10361X	CLEAR FACE PLATE	105203194
31750	STAND 11C (FIXED)	103746863
32006	BACKBOARD 203A (WALL MOUNT)	103747853

1
0
/
3
0

1
0
/
3
0

*

A
T
&
T

M
E
R
L
I
N

1
0
/
3
0
-

3
0
/
7
0

A
T
&
T

M
E
R

L(C)
I
N(D)

1
0
/
3
0

*

A
T
&
T

M
E
R
L
I
N

1
0
/
3
0
-

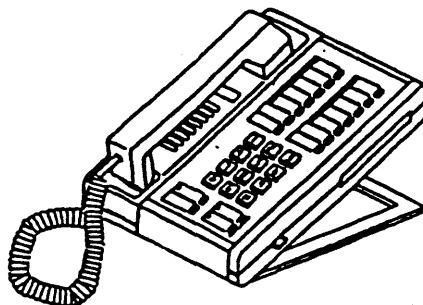
3
0
/
7
0

A
T
&
T

M
E
R

L
I
N

1
0
/
3
0



SET TEL 7309H
(10 BUTTON HAFI SET)

PEC CODE	DESCRIPTION	COMCODE
3161-161	SET TEL 7309H01B-03 (BLACK)	103982005
3161-16C	SET TEL 7309H01B-215 (MISTY CREAM)	103982013
3161-161	SET TEL 7309H01C-03 (BLACK)	105371942
10025X	SILVER GRAPHICS	105217368
10359X	CLEAR FACE PLATES	105203186
32002	STAND 11A (FIXED)	103746855
32002	BACKBOARD 201A (WALL MOUNT)	103747846

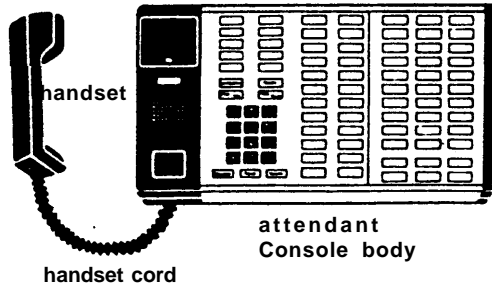
AT&T PROPRIETARY - USE PURSUANT TO COMPANY INSTRUCTIONS

A
T
&
T

M
E
R
L
I
N

A
T
&
T

M
E
R
L
I
N



SET TEL 7308H
(ATTENDANT CONSOLE)

PEC CODE	DESCRIPTION	COMCODE
1 0 / 3 0 — 3 0 / 7 0	3162-ATD SET TEL 7308H01B-03 (BLACK)	103965968
3 0	3162-ATC SET TEL 7308H01B-587 (WHITE)	103965976
— 3 0 / 7 0	3162-ATC SET TEL 7308H01B-104 (BROWN)	103965984
3 0 / 7 0	3162-ATC SET TEL 7308H01B-139 (GRAY)	103965992
7 0	3162-ATC SET TEL 7308H01B-142 (BLUE)	103966008
A T & T	3162-ATC SET TEL 7308H01B-143 (BURGUNDY)	103966016
A T & T	3162-ATC SET TEL 7308H01B-144 (CINNABAR)	103966024
A T & T	3162-ATC SET TEL 7308H01B-215 (MISTY CREAM)	103974259
M E R L I N	KIT OF PARTS D181592 (ELECTROSTATIC DISCHARGE)	105201925
L I N	10175X DESIGNATION CARDS (3 PER PACK)	844032839
N	3163-HFU HANDS FREE UNIT S102A	103814356
1 0 / 3 0	3164-HFA HEADSET ADAPTER 502A	103943213

AT&T PROPRIETARY - USE PURSUANT TO COMPANY INSTRUCTIONS

*
A
T
&
T

M
E
R
L
I
N

1
0
/
3
0
-
3
0
/
7
0

A
T
&
T

M
E
R
L
(C)
I
N(D)

1
0
/
3
0

*
A
T
&
T

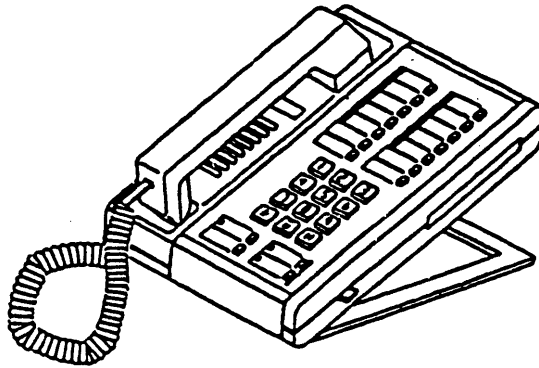
M
E
R
L
I
N

1
0
/
3
0
-
3
0
/
7
0

A
T
&
T

M
E
R
L
I
N

1
0
/
3
0



SET TEL 7313H
10 BUTTON BIS)

PEC CODE	DESCRIPTION	COMCODE
3165-10B	SET TEL 7313H01A-03 (BLACK)	105161061
3165-10C	SET TEL 7313H01A-215 (MISTY CREAM)	105161079
10366x	SILVER GRAPHICS	105336978
10359X	CLEAR FACE PLATES	105203186
32002	STAND 11A (FIXED)	103746855
32001	BACKBOARD 201A (WALL MOUNT)	103747846

*
A
T
&
T

M
E
R
L
I
N

1
0
/
3
0
-
3
0
/
7
0

A
T
&
T

M
E
R
L
I
N

1
0
/
3
0

*
A
T
&
T

M
E
R
L
I
N

1
0
/
3
0
-
3
0
/
7
0

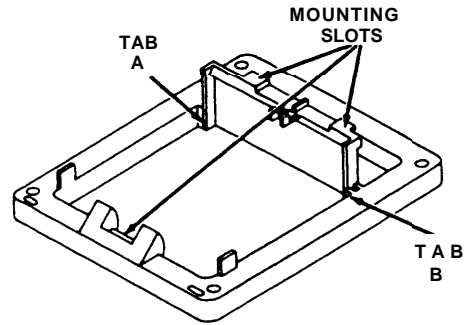
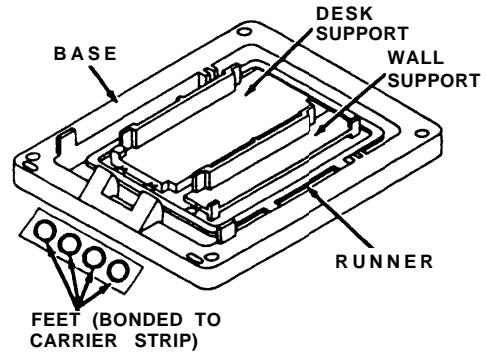
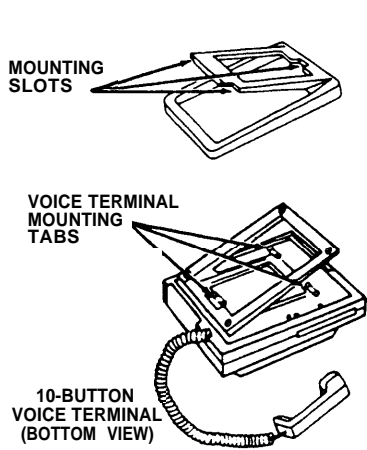
A
T
&
T

M
E
R
L
I
N

1
0
/
3
0

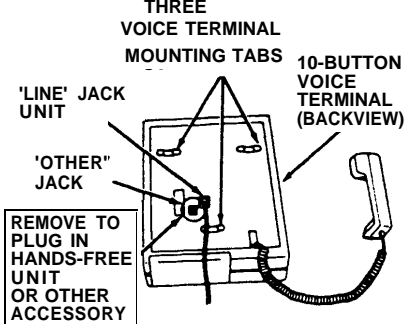
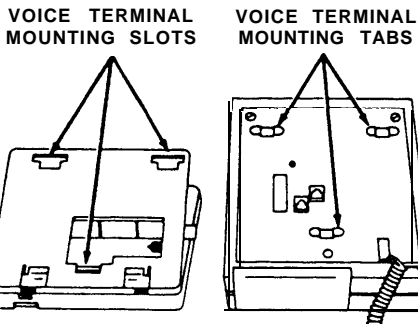
(A) STAND 10A (5/10 BUTTON)

(B) STAND 14A (DESK/WALL)

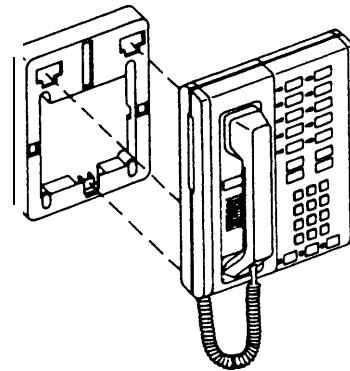
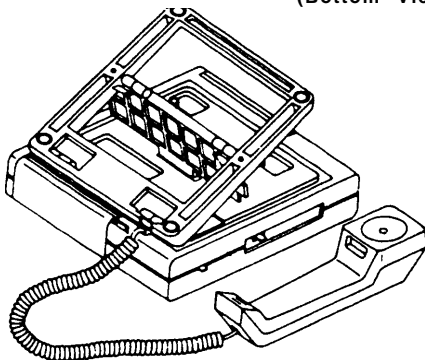


(C) STAND 11A (DESK)

(D) BACKBOARD 201A



11A Stand (Top View) 10-Button Voice Terminal (Bottom View)



*
A
T
&
T

M
E
R
L
I
N

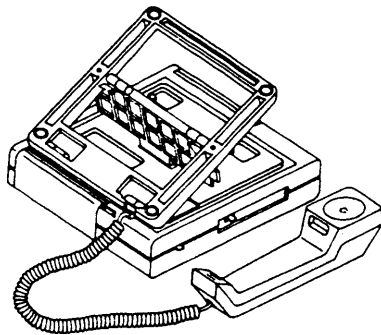
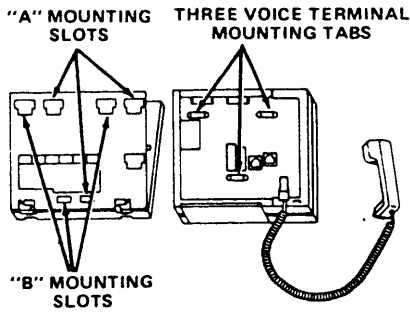
1
0
/
3
0
-
3
0
/
7
0

A
T
&
T

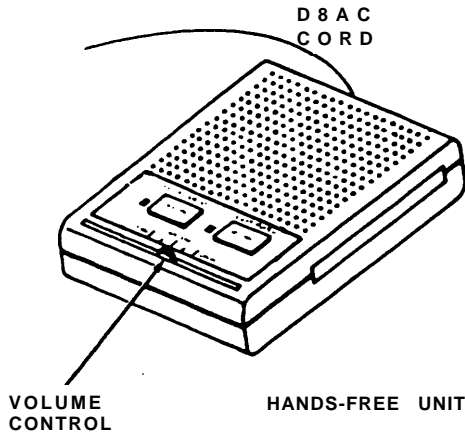
M
E
R
L
I
N

1
0
/
3
0

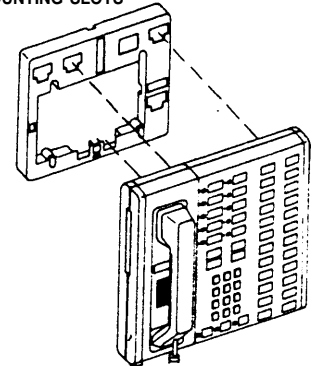
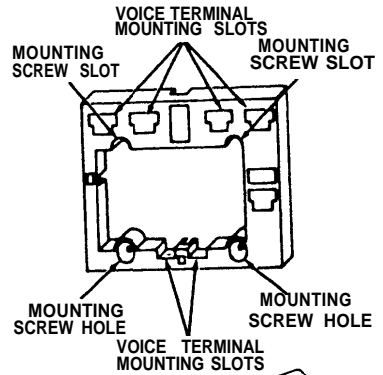
(E) STAND 11C (FIXED)



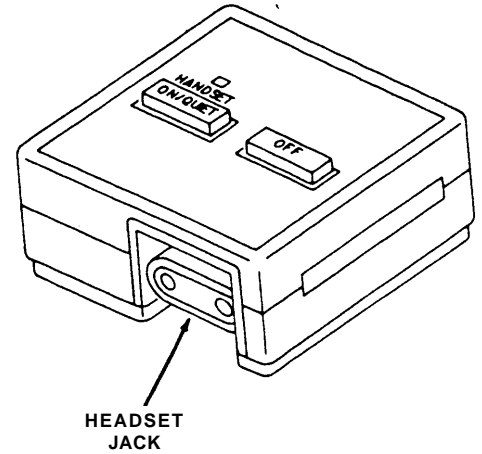
(G) MODULE TELE S102A



(F) BACKBOARD 203A



(H) ADAPTER 502A



A
T
&
T

M
E
R
L
I
N

1
0
/
3
0
-
3
0
/
7
0

A
T
&
T

M
E
R
L
I
N

1
0
/
3
0

*
A
T
&
T

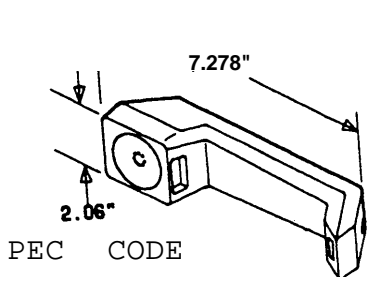
M
E
R
L
I
N

1
0
/
3
0
-
3
0
/
7
0

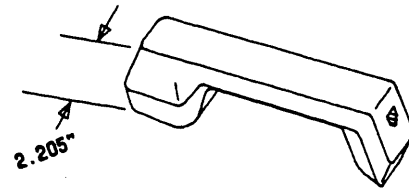
A
T
&
T

M
E
R
L
I
N

1
0
/
3
0



SET HAND



PEC	CODE	DESCRIPTION	COMCODE
10200X	SET HAND R2C3-03	(BLACK)	103808887
	SET HAND R2C3-58	(WHITE)	103813978
	SET HAND R2C3-104	(BROWN)	103808903
	SET HAND R2C3-139	(GRAY)	103808929
	SET HAND R2C3-142	(MID BLUE)	103808937
	SET HAND R2C3-143	(BURGUNDY)	103808945
	SET HAND R2C3-144	(CINNABAR)	103808952
	SET HAND R2C3-215	(MISTY CREAM)	105190987
94036	SET HAND R2E4-03	(UL APPROVED)	105157291
	SET HAND R2E4-58	(UL APPROVED)	105157283
	SET HAND R2E4-104	(UL APPROVED)	105157275
	SET HAND R2E4-139	(UL APPROVED)	105157267
	SET HAND R2E4-142	(UL APPROVED)	105157242
	SET HAND R2E4-143	(UL APPROVED)	105157234
	SET HAND R2E4-144	(UL APPROVED)	105157218
	SET HAND R2E4-215	(UL APPROVED)	105158885

*
A
T
&
T

M
E
R
L
I
N

1
0
/
3
0
-
3
0
/
7
0

A
T
&
T

M
E
R
L
I
N

1
0
/
3
0

*
A
T
&
T

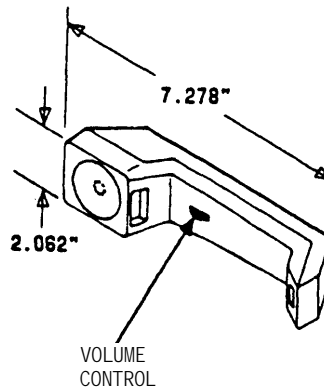
M
E
R
L
I
N

1
0
/
3
0
-
3
0
/
7
0

A
T
&
T

M
E
R
L
I
N

1
0
/
3
0



SET HAND

PEC CODE	DESCRIPTION	COMCODE
31753	SET HAND R6C3-03 (AMPLIFIED)	103808960
31753	SET HAND R6C3-58 (AMPLIFIED)	103813986
31753	SET HAND R6C3-104 (AMPLIFIED)	103808986
31753	SET HAND R6C3-139 (AMPLIFIED)	103809000
31753	SET HAND R6C3-142 (AMPLIFIED)	103809018
31753	SET HAND R6C3-143 (AMPLIFIED)	103809026
31753	SET HAND R6C3-144 (AMPLIFIED)	103809034
31753	SET HAND R6C3-215 (AMPLIFIED)	104059266

*
A
T
&
T

M
E
R
L
I
N

1
0
/
3
0
—
3
0
/
7
0

A
T
&
T

M
E
R
L
I
N

1
0
/
3
0

0

*
A
T
&
T

M
E
R
L
I
N

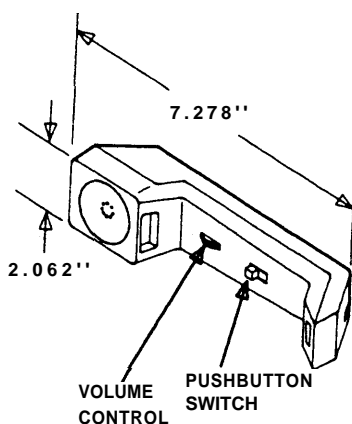
1
0
/
3
0
—
3
0
/
7
0

A
T
&
T

M
E
R
L
I
N

1
0
/
3
0

0



SET HAND

PEC CODE	DESCRIPTION	COMCODE
31754	SET HAND R8C3-03 (AMP/PUSHBUTTON)	103809042
31754	SET HAND R8C3-58 (AMP/PUSHBUTTON)	103813994
31754	SET HAND R8C3-104 (AMP/PUSHBUTTON)	103809067
31754	SET HAND R8C3-139 (AMP/PUSHBUTTON)	103809083
31754	SET HAND R8C3-142 (AMP/PUSHBUTTON)	103809091
31754	SET HAND R8C3-143 (AMP/PUSHBUTTON)	103809109
31754	SET HAND R8C3-144 (AMP/PUSHBUTTON)	103809117
31754	SET HAND R8C3-215 (AMP/PUSHBUTTON)	104059274

*
A
T
&
T

M
E
R
L
I
N

1
0
/
3
0
-
3
0
/
7
0

A
T
&
T

M
E
R
L
I
N

1
0
/
3
0

*
A
T
&
T

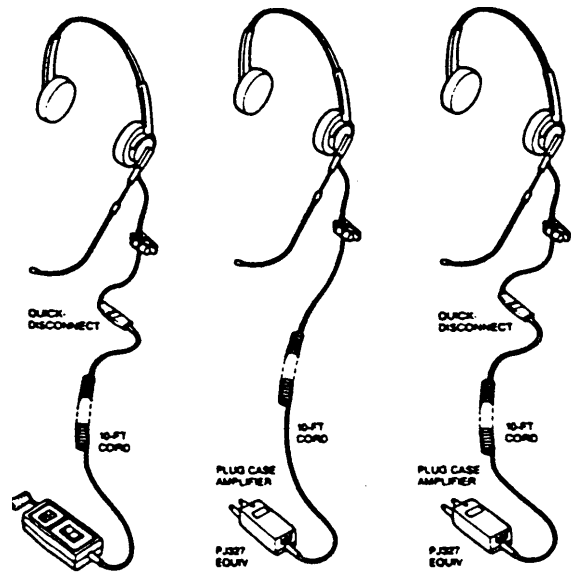
M
E
R
L
I
N

1
0
/
3
0
-
3
0
/
7
0

A
T
&
T

M
E
R
L
I
N

1
0
/
3
0



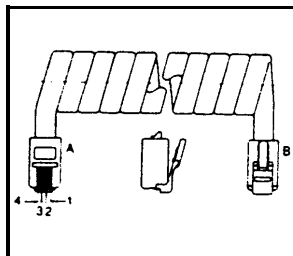
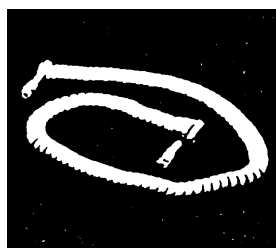
HEADSETS

PEC CODE	DESCRIPTION	COMCODE
3122-001	KS22915L1 STARSET II STANDARD IVORY	403241540
3122-002	KS22915L2 STATSET II DELUX IVORY	403241557
3122-204A	KS23080L4 STARSET II STAMAT-E BLACK	403412307
3122-011A	KS22990L1 SUPRA STANDARD BROWN	403350085
3122-012A	KS22990L2 SUPRA DELUX BROWN	403350077
3122-214A	KS23080L5 SUPRA STARMATE-E BLACK	403973431
10197X	STAR II DUAL EAR TIP KIT 02	405587239
10198x	STAR II DUAL EAR TIP KIT 03	405587270

AT&T PROPRIETARY - USE PURSUANT TO COMPANY INSTRUCTIONS

*
A
T
&
T

M
E
R
L
I
N



*
A
T
&
T

M
E
R
L
I
N

H4DU Telephone handset cord with each end of the cord equipped with a push-to-lock modular plug. Used with modular type telephone sets, between the customer's terminal and the handset. The 25' handset cord topcoated with a polyester material which imparts additional mechanical resiliency durability

HANDSET CORDS

1
0
/
3
0
-
3
0
/
7
0

A
T
&
T

M
E
R
L
I
N

PEC CODE	DESCRIPTION	COMCODE
10238X	CORD H4DU-03 6FT (BLACK)	102402518
	CORD H4DU-58 6FT (WHITE)	102402617
	CORD H4DU-104 6FT (BROWN)	102358660
	CORD H4DU-139 6FT (GRAY)	103785101
	CORD H4DU-142 6FT (MID BLUE)	103785143
	CORD H4DU-143 6FT (BURGUNDY)	103785184
	CORD H4DU-144 6FT (CINNABAR)	103785226
10239x	CORD H4DU-215 6FT (MISTY CREAM)	104211313
2725-01L	CORD H4DU-03 12FT (BLACK)	102401445
2725-01L	CORD H4DU-50 12FT (IVORY)	102402526
2725-01L	CORD H4DU-51 12FT (GREEN)	102402542

1
0
/
3
0
-
3
0
/
7
0

A
T
&
T

M
E
R
L
I
N

CONTINUED ON NEXT PAGE

A
T
&
T

M
E
R
L
I
N

A
T
&
T

M
E
R
L
I
N

1
0
/
3
0

HANDSET CORDS
CONTINUED

1
0
/
3
0

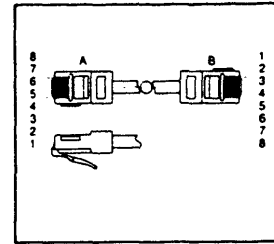
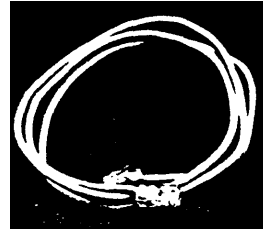
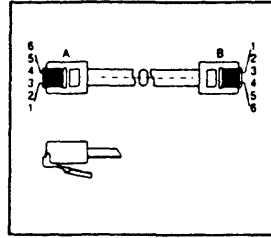
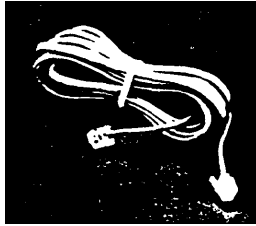
-
3
0
/
7
0

PEC CODE					COMCODE
2725-01L	CORD	H4DU-58	12FT	(WHITE)	102402609
2725-01L	CORD	H4DU-60	12FT	(BEIGE)	102402641
2725-01L	CORD	H4DU-104	12FT	(BROWN)	102358652
2725-01L	CORD	H4DU-139	12FT	(GRAY)	103785127
2725-01L	CORD	H4DU-142	12FT	(MID BLUE)	103785168
2725-01L	CORD	H4DU-143	12FT	(BURGUNDY)	103785200
2725-01L	CORD	H4DU-144	12FT	(CINNABAR)	103785242
2725-01L	CORD	H4DU-215	12FT	(MISTY CREAM)	104211339

A
T
&
T

M
E
R
L
I
N

1
0
/
3



D4CH Telephone mounting cord consisting of four thermoplastic-insulated tinsel conductors in a polyvinyl chloride jacket with a 6-position polycarbonate push-to-lock type plug on each end.

D8AC. Telephone mounting cord consisting of eight thermoplastic-insulated stranded copper conductors in four twisted pairs (1&2, 3&6, 4&5, 7&8) in a polyvinyl chloride jacket with a keyed 8-position polycarbonate push-to-lock type plug on each end. Except for the keyed plugs, this cord is identical to the D8W.

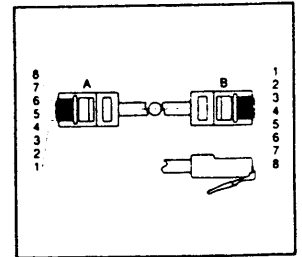
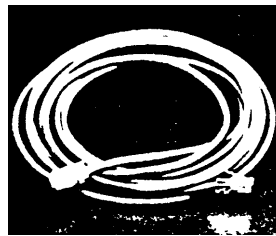
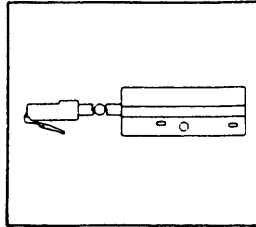
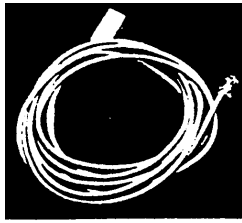
TELEPHONE MOUNTING CORDS

1	PEC CODE	DESCRIPTION	COMCODE	1
0	61407	CORD D4CH-87 7FT (4 CONDUCTOR)	103938452	0
/	61414	CORD D4CH-87 14FT (4 CONDUCTOR)	103938478	/
3	61425	CORD D4CH-87 25FT (4 CONDUCTOR)	103938494	3
0	61402	CORD D4CH-50 25FT (4 CONDUCTOR)	103951570	0
/	2725-15D	CORD D8AC-87 4FT (8 CONDUCTOR)	103796215	/
7	2725-15B	CORD D8AC-87 18IN (8 CONDUCTOR)	103796199	7
0	2725-15N	CORD D8AC-87 14FT (8 CONDUCTOR)	103796231	0
A	32914	CORD D8AF-87 14FT (EXTENSION)	104073655	A
T	32925	CORD D8AF-87 25FT (EXTENSION)	104073663	T
&	32950	CORD D8AF-87 50FT (EXTENSION)	104073671	&
T	32975	CORD D8AF-87 75FT (EXTENSION)	104073689	T

CONTINUED ON NEXT PAGE

*
A
T
&
T

M
E
R
L
I
N



D8AF: Telephone extension cord consisting of eight thermoplastic-insulated stranded copper conductors in four twisted pairs (1 & 2, 3 & 6, 4 & 5, 7 & 8) with an 8-position polycarbonate push-to-lock type plug on one end and an 8-position modular jack on the other end. It is designed to be used with D8W and D8AE cords for extra length

D8W: Telephone mounting cord consisting of eight thermoplastic-insulated stranded copper conductors in four twisted pairs (1 & 2, 3 & 6, 4 & 5, 7 & 8) in a polyvinyl chloride jacket with an 8-position polycarbonate push-to-lock type plug on each end.

*
A
T
&
T

M
E
R
L
I
N

1
0
/
3
0
-
3
0
/
7
0

A
T
&
T

M
E
R
L
I
N

TELEPHONE MOUNTING CORDS
CONTINUED

PEC CODE	DESCRIPTION	COMCODE
32900	CORD D8AF-87 100FT (EXTENSION)	104073697
2725-07N	CORD D8W-50 14FT (8 CONDUCTOR)	102796968
2725-07S	CORD D8W-50 25FT (8 CONDUCTOR)	102796950
2725-07G	CORD D8W-87 7 FT (8 CONDUCTOR)	103786786
2725-07N	CORD D8W-87 14FT (8 CONDUCTOR)	103786802
2725-07S	CORD D8W-87 25FT (8 CONDUCTOR)	103786828
2725-29Z	CORD D8WA-10ODE 100FT (8 CONDUCTOR)	103895652

1
0
/
3
0
-
3
0
/
7
0

A
T
&
T

M
E
R
L
I
N

1
0
/
3
0

A
T
&
T

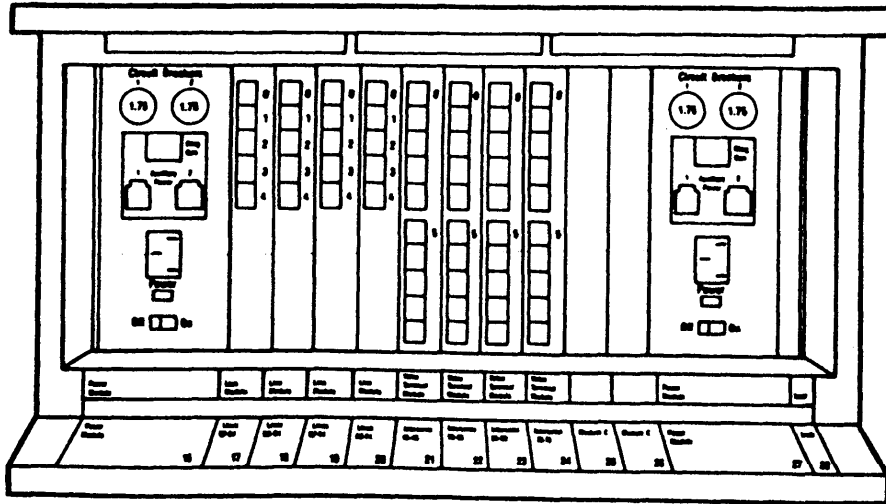
M
E
R
L
I
N

1
0
/
3
0
-
3
0
/
7
0

A
T
&
T

M
E
R
L
I
N

1
0
/
3
0



A
T
&
T

M
E
R
L
I
N

1
0
/
3
0
-
3
0
/
7
0

A
T
&
T

M
E
R
L
I
N

1
0
/
3
0

MERLIN CONTROL UNIT

PEC CODE	DESCRIPTION	COMCODE
6130-CU1	CONTROL UNIT 510A (FOR 1030)	103824728
	MAINTENANCE MANUAL	845295728
	CONTROL UNIT 510A1	103978193
	POWER SUPPLY 601A (FOR 510A)	104028345
	INSTALL KIT Z113A (FOR 510A)	103965737
61360	WALL MOUNT Z116A (FOR 510A)	103966057
	DOOR 6B	103824546

CONTINUED ON NEXT PAGE

PEC CODE	DESCRIPTION	COMCODE
61301	EXPANSION UNIT 510C	103824744
	MAINTENANCE MANUAL	845295138
	EXPANSION UNIT 510C1	103978201
	ADAPTER KIT 301A (510A TO 510C1)	103982369
	ADAPTER KIT 302A (510A1 TO 510C)	103982377
	KIT OF PARTS D182036 (RIBBON CABLE)	105482350
	ALUMINUM BRACE BAR (1030/3070)	844667014
6130-CU2	INCLUDES 510A1 CNTL UNIT/ 510C EXP UNIT/ 601A PWR SUP/ INSTALL MANUAL	
	CUT CODE FOR DOOR IS CAT10 LOCK AND KEY FOR DOOR	403424872
61216	AUX POWER UNIT 335A	103806998
	AC LINE CORD FOR 335A POWER UNIT	403332083
	RIBBON CABLE TO CONNECT 1030-3070	105482350
	1030 REAR PANEL	844168666
	1030 TOP PANEL	844168674
	1030 SIDE PANEL	844168683

AT&T PROPRIETARY - USE PURSUANT TO COMPANY INSTRUCTIONS

*AT&T MERLIN SYSTEMS 10/30-30/70 AT&T MERLIN SYSTEMS 10/30-30/70 *

*
A
T
&
T

M
E
R
L
I
N

1
0
/
3
0
-
3
0
/
7
0

A
T
&
T

M
E
R
L
I
N

1
0
/
3
0

*
A
T
&
T

M
E
R
L
I
N

1
0
/
3
0
-
3
0
/
7
0

A
T
&
T

M
E
R
L
I
N

1
0
/
3
0

CIRCUIT MODULE

PEC CODE	DESCRIPTION	COMCODE
61310	MODULE CIRCUIT 183A (10 STATION)	103824579
61320	MODULE CIRCUIT 183B (OPERATIONS)	103824587
61312	MODULE CIRCUIT Z183C1 (5 BASIC)	103965620
61305	MODULE CIRCUIT 184B (5 LINE)	103824603
6130FM1	MODULE CIRCUIT Z185A1 (FEATURE #1)	103965638
6130FM2	MODULE CIRCUIT Z185A3 (FEATURE #2)	103973855
6130FM3	MODULE CIRCUIT Z185A4 (FEATURE #3)	103978144
6130FM4	MODULE CIRCUIT Z185A5 (FEATURE #4)	103979142
6130FM5	MODULE CIRCUIT Z185A6 (FEATURE #5)	105159594
	MODULE CIRCUIT 186A (PROCESSOR)	103824652
61340	MODULE CIRCUIT Z186C1 (DIAGNOSTIC)	103965646

CONTINUED ON NEXT PAGE

*AT&T MERLIN SYSTEM 10/ 30-30/70 AT&T MERLIN SYSTEM 10/30-30/70 0

AT&T PROPRIETARY - USE PURSUANT TO COMPANY INSTRUCTIONS

1 0	PEC CODE	DESCRIPTION	COMCODE	1 0
/	2302-OPU	MODULE CIRCUIT Z187A1 (OFF PREM)	103965653	/
0	61352	MODULE CIRCUIT Z189A (SMDR)	103967089	0
3	61311	MODULE CIRCUIT 506A2 (5 BASIC)	103983946	3
0	61350	POWER SUPPLY 601A	104028345	0
		KIT OF PARTS D181901 (BACKPLANE)	105435887	
		CORD 17506	403595804	
	61351	FREQUENCY GENERATOR 129A1	104304688	
		OFF PRIM MODULE	105170856	
		UNIX CALL ACCOUNT SYS MODULE	405558638	
1	*AT&T MERLIN SYSTEM 10/30-30/70 AT&T MERLIN SYSTEM 10/30-30/70			1
0				0
/				/
3				3
0				0

AT&T PROPRIETARY - USE PURSUANT TO COMPANY INSTRUCTIONS

A
T
&
T

PERIPHERAL EQUIPMENT

A
T
&
T

M
E
R
L
I
N

PEC CODE	DESCRIPTION	COMCODE
	ADAPTER 355A1 CONNECT SMDR/PRINTER	105012645
	ADAPTER 258B	103923025
2750-A36	ADAPTER 259A	102631413
	ADAPTER 290A1	102992252
	ADAPTER 299-24-00-055 (SUP MOD 1-A)	403608367
2750-A33	ADAPTER 299-24-00-125 (SUP MOD 125)	403608375
	ADAPTER 854B-003	105408736
2750-T04	ADAPTER Z602A	103946661
	ADAPTER Z609A	103947800
61403	ADAPTER Z610A	103950556
3119-001	ANNOUNCER DA5FLA (DIGL CMS)	405374190
61212	BELL KS23053 L1 (ALERT)	403349962
2750-T01	BOX APPARATUS Z122A	103962007
10062X	BOX APPARATUS 122C (Z600A & Z601A)	103980843

1
0
/
3
0
—
3
0
/
7
0

M
E
R
L
I
N

1
0
/
3
0
—
3
0
/
7
0

A
T
&
T

A
T
&
T

M
E
R
L
I
N

M
E
R
L
I
N

1
0
/
3
0

CONTINUED ON NEXT PAGE

1
0
/
3
0

*
 A
 T
 &
 T

PERIPHERAL EQUIPMENT
 CONTINUED

*
 A
 T
 &
 T

M E R L I N	PEC CODE	DESCRIPTION	COMCODE	M E R L I N
	10175X	DESIGNATION CARD (CONSOLE ADJ)	844032839	
	10023X	DESIGNATION TABS (5 BUTTON SET)	844033993	
	61222	CHIME CH-BT2-B-1 AT (EXTRA ALERT)	403762826	
1	32920	CLIP CORD AT8598 B161 (PK 10)	400717641	1
0		FILTER Z100A	103856770	0
/		FILTER Z200A	103965208	/
3	61223	HORN ESET 4S WHEELLOCK (DELUXE)	403764053	3
0	61213	HORN KS23053 L2 (ALERT)	403349970	0
		INTERFACE UNIT 102A (MODEM)	103971479	
A	2301-MTR	INTERFACE UNIT Z1A	103953329	A
T	2301-GPA	INTERFACE UNIT Z1C AT (SPEAKERPHONE)	103977997	T
&		MODULE TELEPHONE ZH802B (CNSL ADJ)	103965703	&
T	31642	MODULE TELEPHONE ZH802D (CNSL ADJ)	105217350	T
	10003X	PLUG 700A4	103941464	

1
 0
 /
 3
 0

CONTINUED ON NEXT PAGE

1
 0
 /
 3
 0

*AT&T MERLIN SYSTEM 10/30-30/70 AT&T MERLIN SYSTEM 10/30-30/70

AT&T PROPRIETARY - USE PURSUANT TO COMPANY INSTRUCTIONS

PEC CODE	DESCRIPTION	COMCODE
10004X	PLUG 700AB (8 POSITION MOD)	103941472
8310-002	PROTECTOR 145A (SINGLE AC POWER)	105327647
83100	PROTECTOR 146A (SINGLE 4 LINE COM)	105327654
8310-003	PROTECTOR 147A (145A/146A COMBINED)	105327662
	PROTECTOR 428 (SURGE SUPPRESSOR)	402988950
32918	PROTECTOR 99505701 (MODEL 341 IROB)	403865785
61221	STROBESCOPE AT WHL LK SIG	403319197
10024x	DESIGNATION STRIPS (10 BUTTON)	844030809
61215	SWITCH KS23053 L5 (TEL ALERT)	403350044
	SWITCH 452A-50 (EX ALERT CONTROL)	103939807
21896	KIT Z103B	103961975
32915	KIT Z103C1	103964755
10064x	KIT Z103C2	103964763
61208	KIT Z104A	103954764

CONTINUED ON NEXT PAGE

PEC CODE	DESCRIPTION	COMCODE
32905	KIT Z104B	103961983
61360	KIT Z116A (WALL MOUNT 10/30-30/70)	103966057
	KIT Z118A (EMPTY CARRIER 510A)	103977500
	KIT Z118A1 (EMPTY CARRIER 510A1)	105191902
	KIT Z118C (EMPTY CARRIER 510C)	103977872
	KIT Z118C1 (EMPTY CARRIER 510C1)	105191910
	KIT OF PARTS D181216 (HSG-03)	104004163
	KIT OF PARTS D181217 (HSG-58)	104004171
	KIT OF PARTS D181218 (HSG-104)	104004189
	KIT OF PARTS D181219 (HSG-139)	104004197
	KIT OF PARTS D181220 (HSG-142)	104004205
	KIT OF PARTS D181221 (HSG-143)	104004213
	KIT OF PARTS D181222 (HSG-144)	104004221
10026x	KIT OF PARTS D181582	105203186

CONTINUED ON NEXT PAGE

*
A
T
&
T

M
E
R
L
I
N

1
0
/
3
0
-
3
0
/
7
0

A
T
&
T

M
E
R
L
I
N

1
0
/
3
0

*
A
T
&
T

M
E
R
L
I
N

1
0
/
3
0
-
3
0
/
7
0

A
T
&
T

M
E
R
L
I
N

1
0
/
3
0

PERIPHERAL EQUIPMENT
CONTINUED

PEC CODE	DESCRIPTION	COMCODE
10027X	KIT OF PARTS D181583	105203194
10025X	KIT OF PARTS D181613	105217368
10099X	KIT OF PARTS D181614	105217376
	BRACKET TO CONNECT CONT UN/EXPAN UN	844667014
	EXPANSION UNIT KIT LABELS-COPPER SHIELDING-POWER UNIT	846172443
	FOUR WAY MOD JACK ADAPTER Z609A	103947800
	CALL ACCOUNTING TERM	405798703
	ATTENDANT CONSOUL (SET AND ADJUNK)	105217798
	INSTALLATION MANUAL FOR GPA	103980017
	UPGRADE KIT 301A (FOR 510A-510A1)	103982369

*
A
T
&
T

M
E
R
L
I
N

1
0
/
3
0
-
3
0
/
7
0

A
T
&
T

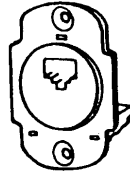
M
E
R
L
I
N

1
0
/
3
0
-
3
0
/
7
0

BLOCK CONN 102A

102A Flush Mounted Jack

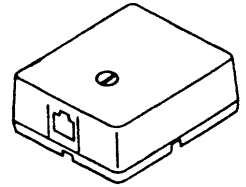
8 conductor jack with quick connect wire termination mounts in 65B or 400A faceplate.
#10011X



BLOCK CONN 103A

103A Surface Mounted Jack

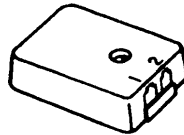
Single, 8 conductor jack with quick connect wire termination.
#10085X



BLOCK CONN 104A

104A Dual Surface Mounted Jack

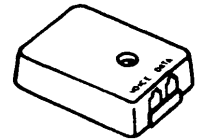
8 conductor jacks are identified as "1" and "2" with quick connect wire terminations.
#10012X



BLOCK CONN 104B

104B Dual Surface Mounted Jack

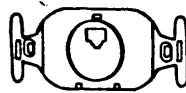
Same as 104A but with one unkeyed jack for "voice" and one keyed jack for "data."
#10013X



BLOCK CONN 105AF

105AF Flush Mounted Jack

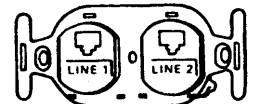
Designed to be used with a standard single-outlet electrical faceplate.
#10014X



BLOCK CONN 106

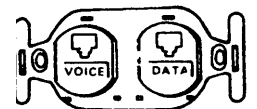
106AFD Flush Mounted Jack

Comes with two 8 conductor jacks identified as "1" and "2" to be used with duplex electrical outlet faceplate. Has quick connect wire terminations.
#10015X



106BFD Flush Mounted Jack

Same as 106AFD but with one unkeyed jack for "voice" and one keyed jack for "data."
#10016X



PEC CODE	DESCRIPTION	COMCODE
10011X	BLOCK CONN 102A-50	103083200
2750-D07	BLOCK CONN 102A-246	105164867
32601	BLOCK CONN 103A-50	103104220
2750-D08	BLOCK CONN 103A-246	105164818
2750-C17	BLOCK CONN 104A-50	103116943
10012X	BLOCK CONN 104A-246	105164859
10013X	BLOCK CONN 104B	103985693
10014X	BLOCK CONN 105AF-246	103985347
	BLOCK CONN 106AFD (LINE1 / LINE2)	103985354
	BLOCK CONN 106BFD (VOICE & DATA)	104373873
	FACEPLATE 400A-50 (FOR 102A)	103111209
	FACEPLATE 400A-246 (FOR 102A)	105164784
	FACEPLATE 860B-246 (FOR 105AF)	105319719
	FACEPLATE 860A-246 (FOR 106)	105210421

*
A
T
&
T

M
E
R
L
I
N

1
0
/
3
0
/
3
0
/
7
0
-
A
T
&
T

M
E
R
L
I
N

1
0
/
3
0

*
A
T
&
T

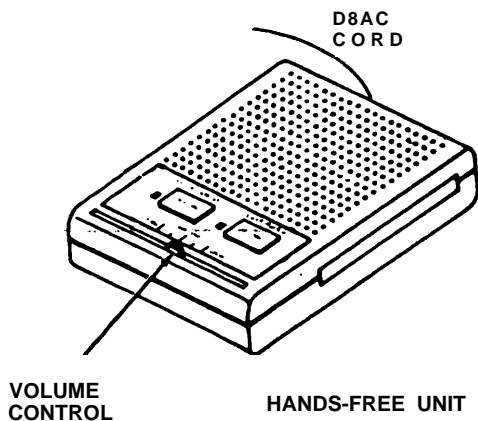
M
E
R
L
I
N

1
0
/
3
0
/
3
0
/
7
0
-
A
T
&
T

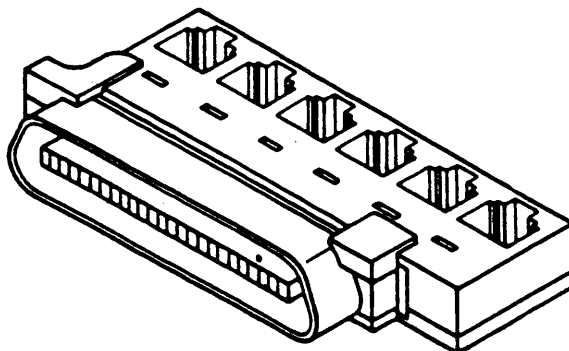
M
E
R
L
I
N

1
0
/
3
0

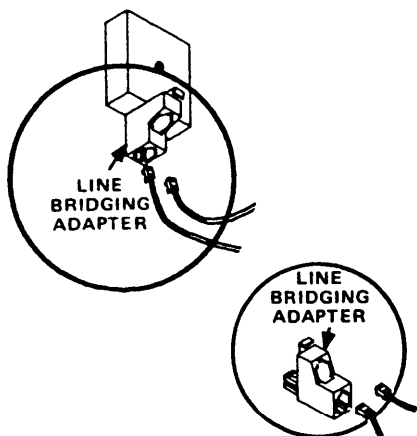
(A) MODULE TELE S102A



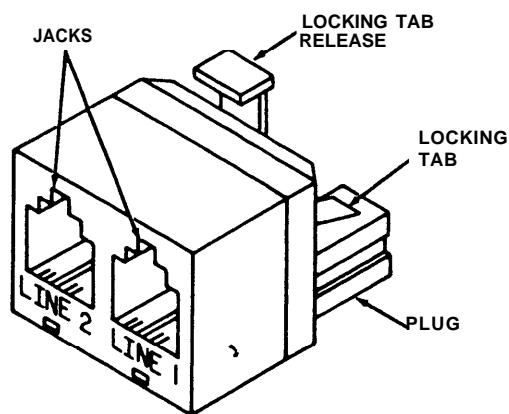
(B) ADAPTER 258A



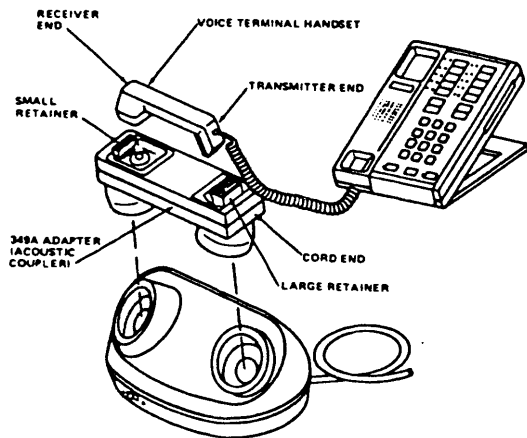
(C) ADAPTER 267A2



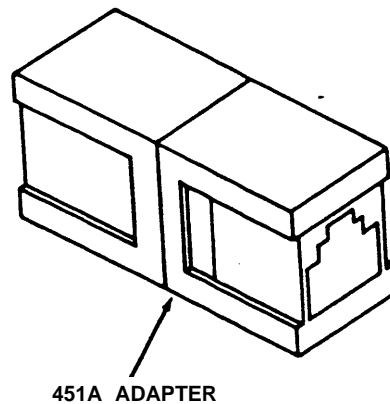
(D) ADAPTER 267C



(E) ADAPTER 349A



(F) ADAPTER 451A



*

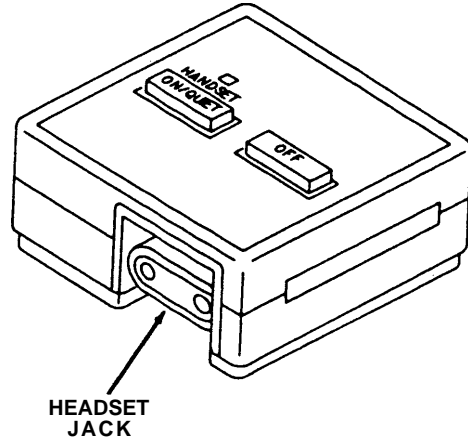
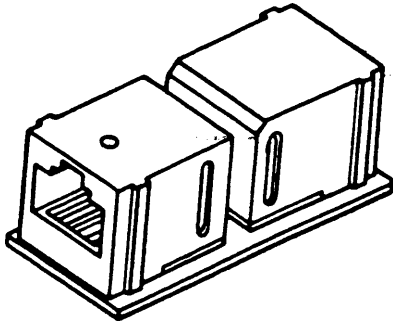
(G) ADAPTER Z600A

(H) ADAPTER 502A

*

A
T
&
T

A
T
&
T



M
E
R
L
I
N

M
E
R
L
I
N

1
0

/
3

0

-
3

0

/
7

0

(I) ADAPTER Z601A

(J) ADAPTER 856A

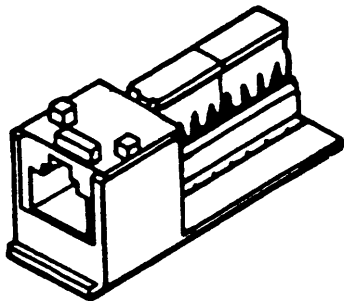
A
T
&
T

M
E
R
L
I
N

1
0

/
3

0



1
0

/
3

0

-
3

0

/
7

0

A
T
&
T

M
E
R
L
I
N

1
0

/
3

0

*
A
T
&
T

M
E
R
L
I
N

*
A
T
&
T

M
E
R
L
I
N

"DESCRIPTIONS FOR ILLUSTRATIONS ON PAGES 30 & 31"

	PEC CODE	DESCRIPTION	COMCODE
1	(A)61400	ADAPTER 267C	103715652
0	(B)61401	ADAPTER 267A2	103715082
/	(C)2750-A30	ADAPTER 451A	103942272
3	(D)2750-T02	ADAPTER Z600A (MODULE JACK)	103946646
0	(E)2750-T03	ADAPTER Z601A	103946653
-	(F)2750-A19	ADAPTER 258A (MALE)	102605136
3	(F)2750-A35	ADAPTER 258AF (FEMALE)	103796561
0	(G)31710	ADAPTER 349A (ACOUSTIC)	104010061
/	(H)3163-HFU	MODULE TELEPHONE S102A-03 (BLACK)	103814356
7	(H)31730	MODULE TELEPHONE S102A-185 (SILVER)	103953790
0	(I)3164-HFA	ADAPTER 502A (HEADSET)	103943213
A	(J)2301-SSA	ADAPTER 856A (STATION ALERT)	105031199
T			
&			
T			
M			
E			
R			
L			
I			
N			

AT&T PROPRIETARY - USE PURSUANT TO COMPANY INSTRUCTIONS

*		*
	NOTES !	
A		A
T		T
&	_____	&
T	_____	T
M		M
E	_____	E
R		R
L	_____	L
I		I
N	_____	N
1	_____	1
0		0
/	_____	/
3		3
0	_____	0
-		-
3	_____	3
0		0
/	_____	/
7		7
0	_____	0
A	_____	A
T	_____	T
&	_____	&
T	_____	T
M		M
E	_____	E
R		R
L	_____	L
I		I
N	_____	N
1	_____	1
0		0
/	_____	/
3		3
0	*AT&T MERLIN SYSTEM 10/30-30/70 AT&T MERLIN SYSTEM 10/30-30/70	0

AT&T PROPRIETARY - USE PURSUANT TO COMPANY INSTRUCTIONS

A T & T M E R L I N THE ROADRUNNERS SOURCE BOOK SERIES IS THE END RESULT OF AN MMS QUALITY ACTION TEAM EFFORT TO PROVIDE PRODUCT LINE REFERENCE MATERIAL. OUR GOAL IS TO CONTINUE TO IMPROVE ON THE INFORMATION CONTAINED IN THESE SOURCE BOOKS. TO REALIZE THAT OBJECTIVE WE NEED YOUR HELP. WHEN YOU FIND SOMETHING THAT NEEDS CHANGING OR ADDED, PLEASE LET US KNOW SO THAT WE MAY INCLUDE IT IN OUR NEXT UPDATE. REMEMBER, TO BE A TEAM, WE MUST WORK TOGETHER!

FAX ALL UPDATES AND CHANGES TO:

THE ROADRUNNERS TEAM

ON

(407)856-3264

FOR ADDITIONAL INFORMATION NOT INCLUDE IN THE SOURCE BOOK CALL THE PRODUCT INFORMATION HOTLINE ON: 1-800-654-5832

ROADRUNNERS SOURCE BOOK LIST

CIC SELECT CODES

	ROADRUNNERS SOURCE BOOK LIST	CIC SELECT CODES
*	COMPLETE SET OF TWELVE BOOKS	501-501-000
(1)	MERLIN COMMUNICATIONS SYSTEM (MODELS 206, 410 AND 820)	518-600-130
(2)	MERLIN COMMUNICATIONS SYSTEM (MODELS 10/30 AND 30/70)	518-600-131
(3)	MERLIN PLUS COMMUNICATIONS SYSTEM	518-600-132
(4)	MERLIN II COMMUNICATIONS SYSTEM	518-600-133
(5)	EKTS COMMUNICATIONS SYSTEM	518-010-130
(6)	FAX MACHINES	006-400-130
(7)	SPIRIT COMMUNICATIONS SYSTEM	518-453-130
(8)	AT&T SYSTEM 25	555-500-130
(9)	AT&T SYSTEM 75	555-200-130
(10)	AT&T SYSTEM 75XE	555-201-130
(11)	AT&T SYSTEM 85	555-100-130
(12)	PAGEPAC VOICE PAGING SYSTEM	518-810-130

TO ORDER CONTACT CIC ON: 1-800-432-6600