



MODEL BE-1438VP

14 CHANNEL 38 SUB-CODE FAMILY RADIO SERVICE TRANSCEIVER VALUE PACK

OWNER'S MANUAL

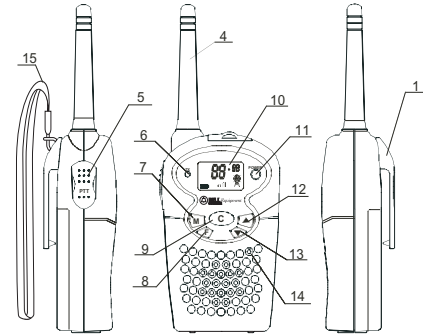
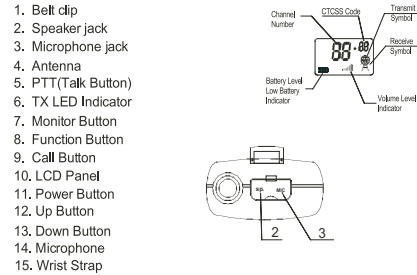
Please read this instruction manual carefully.

Nylon Belt Pouch 5
Care and Safety 5-6
 Maintenance 5-6
Troubleshooting 6
FRS Channel Table 6
Limited Warranty 7

FCC Information

The FCC requires that you be advised of certain requirements involving the use of this device. This equipment has been tested and found to comply with the limits for a Class B digital device, pursuant to Part 15 of the FCC Rules. These limits are designed to provide reasonable protection against harmful interference. This equipment uses and can generate radio frequency energy. If not used in accordance with the instructions, it may cause harmful interference to radio communications. However, there is no guarantee that the interference will not occur in a particular use. If this equipment does cause harmful interference to radio or television reception (which can be

Radio Control Locations



▲ and ▼ **Buttons** - Used for changing channels, codes, and setting the receive volume.

POWER Button - Push and hold this button to turn the BE-1438 radio on or off.
TX LED Indicator - This indicator lights when transmitting a call.

Installation

BATTERY INSTALLATION

1. Prior to removing the battery cover, make sure the belt clip is removed (see section "Removing The Belt Clip").
2. Release the battery cover latch located on the rear side of the radio by sliding it down.
3. Lift up the battery cover from the battery compartment.
4. Install four "AAA" type batteries (included); make sure to follow the polarities marked inside the battery compartment.

Table of Contents

FCC Information 1
Introduction 1
Radio Control Locations 2
 Descriptions 2
Installation 2-3
 Battery Installation 2
 Installing the Belt Clip 2
 Removing the Belt Clip 2
 Installing the Wrist Strap 2-3
Operation 3-4
 Turning the Power On and Off . . . 3
 Adjusting the Speaker Volume . . . 3
 Receiving a Call 3
 Transmitting a Call 3
 Selecting Channels 3
 Selecting the CTCSS Sub-Code 3-4
 Monitor 4
 Battery Level/Low Battery Indication 4
 Calling (paging) another radio . . . 4
Value Pack Accessories 4-5
 Headset 4
 Plug-in Battery Charger 4-5
 AAA Ni-Cd Batteries 5

determined by turning the equipment off and on), the user is encouraged to correct the interference by one or more of the following measures:

- Reorient or relocate the receiving antenna.
- Increase the separation between the equipment and receiver.
- Consult the manufacturer for technical assistance.

Introduction

Congratulations on your purchase of the BE-1438VP (Value Pack). These compact, lightweight radios and accessories can be used at shopping malls, parks, or while at the beach, hiking, biking, or camping. You can talk to as many people as you want, as often as you like, without air time fees. It requires no license.

DESCRIPTION

F (Function) Button - Allows you to change channels and sub-codes.
C (CALL) Button - Sends a tone to other radios that are tuned on the same channel.
Battery Compartment - Houses four "AAA" alkaline or rechargeable type batteries.
Belt Clip - For your convenience, a belt clip is included to secure the radio to a belt or any other convenient location.
LCD (Liquid Crystal Display) Display - A multi-functional display, which shows channel, code and other radio status/icons.
M (MONITOR) Button - Permits the radio to continuously monitor weak signals and illuminates the LCD display to show your current status.
MIC and SP. jacks - These jacks are used to connect the optional headset/microphone accessory.
PTT (Push To Talk) Button - Used for making a call.

5. Reinstall the battery cover and the belt clip.

Notes:

- The FRS has a built-in power saver for maximum battery life while the FRS is not in use.
- Remove the batteries if the unit will not be used for a long period of time.

INSTALLING THE BELT CLIP

1. Slide the belt clip into the belt clip slot.
2. Make sure you hear a click to indicate that the belt clip is securely in place.

REMOVING THE BELT CLIP

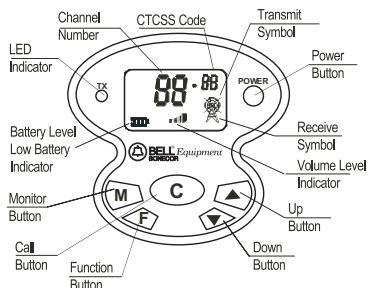
1. While pulling the belt clip tab, push up on the belt clip to remove it from the unit.

INSTALLING THE WRIST STRAP

1. While the belt clip is installed, insert small loop of the wrist strap into the small round hole located near the top of the clip.
2. Make sure the loop runs up and out

- through the top of the belt clip.
3. Insert the large loop of the wrist strap all the way through the small loop. The strap should now be secure.

Operation



TURNING THE POWER ON AND OFF

Turning the Unit ON

1. Press and hold the **POWER** button. The BE-1438 radio will emit a short tone and the channel number will be displayed on the LCD display.

Turning the Unit OFF

1. Press and hold the **POWER** button for at least two seconds. The BE-1438 radio will emit a tone and the LCD display will go blank.

ADJUSTING THE SPEAKER VOLUME

- Press the **▲** button to increase the volume.
- Press the **▼** button to decrease the volume.

RECEIVING A CALL

When your FRS unit is turned on and is not being used to transmit voice communication or pages, the unit is continuously set in receiving mode. When you receive a call on the current channel you are using, the LCD display will show the receive icon.

3

TRANSMITTING A CALL

1. Press and hold the **PTT** button to transmit. The TX LED will light up red and the transmit icon will show in LCD Display.
2. While holding the **PTT** button, speak in a normal voice approximately six inches away from the microphone.
3. Release the **PTT** button when you have finished transmitting.

Note: In order to have two-way communication, all parties must be transmitting on the same channel and same sub-code. Refer to the "Selecting Channels" and "Selecting the CTCSS Sub-Code" sections for more information.

SELECTING CHANNELS

The BE-1438 radio has 14 available channels. To change channels:

1. Press the **F** (function) button. The channel number flashes on the LCD display.
2. While the channel number is flashing:

- Press the **▲** button to increase the channel number.
 - Press the **▼** button to decrease the channel number.
3. Press the **F** button to confirm the desired channel.

Note: Refer to the "FRS Channel Table" section of this manual for detailed frequency listings.

SELECTING THE CTCSS SUB-CODE

The BE-1438 radio has 38 available CTCSS Sub-codes. Please set a CTCSS Code in addition to a Channel if you do not want to be bothered by other parties. To set the CTCSS Code:

1. Press the **F** button twice until the CTCSS sub-code digits flash (or press the **F** button again when you are in Channel Setting Mode).
2. While the CTCSS number is flashing: Press the **▲** button for a higher Code. Press the **▼** button for a lower Code.
3. Press the **F** button or **PTT** button to confirm your channel and CTCSS

code selection and return to normal mode.

Note: Refer to "FRS Channel Table" CTCSS Code section of this manual for detailed frequency listings.

MONITOR

You can use the Monitor feature to listen in for weak signals on the current channel. For normal monitoring, press the **M** button.

For continuous monitoring:

1. Press and hold the **M** button for at least three seconds.
2. To deactivate continuous monitoring press the **M** button.

BATTERY LEVEL / LOW BATTERY INDICATION

The LCD display shows the battery power level according to the number of squares inside the battery symbol.

When the battery level is low, the battery icon will flash to indicate that the batteries

need to be changed.

Note: Due to the lower voltage of the supplied NiCd batteries, the indicator will never display as they are fully charged. Rechargeable batteries need to be charged more often than you will need to replace alkaline batteries, but in the long run they are much more cost efficient.

CALLING (PAGING) ANOTHER RADIO

To send a page:

1. Press and release the **C** (Call) button on the front of the radio. A page tone will sound to every radio on that frequency.

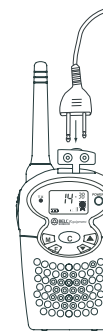
Note: In order for the paging feature to work, both radios must be on.

Value Pack Accessories

HEADSET

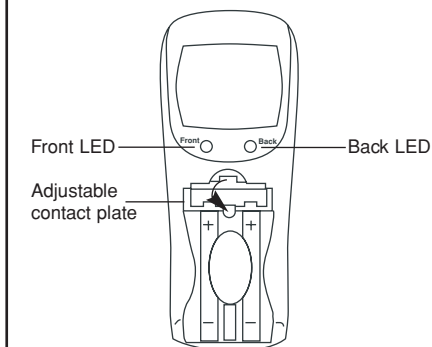
The BE-1438 radio can be used with a

headset which has been included in the value pack for your convenience. Using a headset eliminates the need to use the built-in speaker and microphone on the radio. The BE-1438 contains a set of headset jacks located at the top of the unit for this purpose.



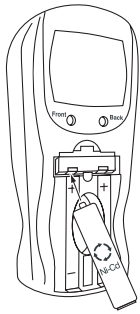
1. Lift the protective rubber cover away from the radio.
2. First insert the larger of the headset plugs into the larger of the two jacks on the BE-1438 radio.
3. Take care that the smaller of the headset plugs fits correctly into the smaller of the two jacks on the unit.
4. Place the headset on your head and adjust the volume control on the radio as required.

PLUG-IN BATTERY CHARGER



1. Pull down the adjustable contact plate to fit the supplied AAA size Ni-Cd rechargeable batteries.
2. Insert batteries with the polarities (+ -) facing the indicated directions. Be sure to insert the + end of the battery first and then snap in the - end to avoid causing damage to the lower charging contacts.

4



Note: Batteries must be charged in pairs. When charging only two batteries, use the Front battery-charging compartment.

- Lock the wall plug into the out position and plug it into an available wall jack. The Front and/or Back LEDs will light indicating the batteries are receiving power.
- Be sure to charge batteries for approximately 7 hours to make sure they are fully charged before use. Do not overcharge.

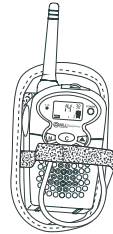
AAA Ni-Cd BATTERIES

8 AAA Ni-Cd batteries are included with this value pack. They will function for approximately 3.8 hours talk (continuous) time or 2 days standby time in the BE-1438 radios.



NYLON BELT POUCH

The nylon belt pouches which come with BE-1438VP value pack are designed for more flexible use of your radio. The belt pouch allows you to have the BE-1438 radio handy without holding it in your hand. The secure design allows for attachment to your belt, or lets you hang the radio from around your neck if you use a chain or strap (not provided) while still being able to access the front panel. In the belt pouch, the radio is more secure and is easier to remove and replace at your leisure.



give years of trouble free service. To assure longevity, please read the following maintenance instructions.

- To clean the radio, wipe with a soft cloth dampened with water. Do not use cleaners or solvents on the radio, they can harm the body and leak inside, causing permanent damage. Battery contacts should be wiped with a dry, lint free cloth.
- If the radio gets wet, turn it off and remove batteries, immediately. Dry the battery compartment with a soft cloth to minimize potential water damage. Leave the cover off the battery compartment overnight or until completely dry. Do not use the radio until completely dry.
- In case of trouble with the BE-1438 radio, do not attempt to repair it yourself. It is the responsibility of users requiring service to report the need for service to our Service Department. They will make the necessary arrangements for repair or replacement.

Range is limited

- The receiving signal may be weak and out of range. If this happens, press the **M** button.
- Batteries may be weak. Replace with new batteries if the battery level indicator is low.
- The maximum range will vary depending on terrain and environment. Open fields provide the maximum range, while buildings and other structures may limit the range significantly.

Sound distortion

- If you are transmitting, speak in a normal tone of voice, approximately six inches away from the microphone.
- If you are receiving, lower the volume control to a comfortable level.

Note: The charger has a built-in 15 hour charge limit timer and will automatically turn off after that time has passed.

Warning: This charger is intended for use with Nickel-Cadmium and Nickel-Metal-Hydrate rechargeable batteries only. Attempting to charge other types of batteries may cause personal injury and damage to the charger.

Caution:

- Recharge only one type (Ni-Cd or Ni-MH) of battery at each time.
- Do not charge longer than the specified time. Overcharging may cause damage to the charger and battery.
- Do not expose charger to rain or moisture. Intended for indoor use only.
- Do not leave plugged into the wall jack when it is not charging.

Care and Safety

Caution: Do not operate the BE-1438 radio at high audio volume levels when using it with a headset. Hearing experts advise against continuous high volume operation. If you experience a ringing in your ears, turn off the radio before plugging in the headset.

Warning: Do not operate this radio in hazardous environments. Explosion or fire may result.

Do not operate this radio near unshielded electrical blasting caps.

Under certain conditions, radios can interfere with blasting operations and may cause an explosion. Construction crews often use remote control RF devices to set off explosives.

IMPORTANT: Turn off your radio to prevent accidental transmission when in a "blasting area" or in areas posted: "Turn off two way radio".

MAINTENANCE

The BE-1438 radio has been designed to

- If you should have questions about the operation of the BE-1438VP, please call our Customer Service Department at **1-888-663-1505**. You may also contact Aastra **Telecom for technical assistance via our Internet Web site at www.aastra.com**

Troubleshooting

SYMPTOM	SOLUTION
Does not turn on	<ul style="list-style-type: none"> Check that the batteries are installed properly. The batteries may be weak. Replace old batteries with four new "AAA" batteries.
Reception is weak	<ul style="list-style-type: none"> Press the ▲ button to increase volume.

FRS CHANNEL TABLE

CHN	FREQ (MHz)	CHN	FREQ (MHz)
1	462.5625	8	467.5625
2	462.5875	9	467.5875
3	462.6125	10	467.6125
4	462.6375	11	467.6375
5	462.6625	12	467.6625
6	462.6875	13	467.6875
7	462.7125	14	467.7125

CTCSS Code— Continuous Tone Coded Squelch System

Code	Frequency(Hz)	Code	Frequency(Hz)
1	67.0	20	131.8
2	71.9	21	136.5
3	74.4	22	141.3
4	77.0	23	146.2
5	79.7	24	151.4
6	82.5	25	156.7
7	85.4	26	162.2
8	88.5	27	167.9
9	91.5	28	173.8
10	94.8	29	179.9
11	97.4	30	186.2
12	100.0	31	192.8
13	103.5	32	203.5
14	107.2	33	210.7
15	110.9	34	218.1
16	114.8	35	225.7
17	118.8	36	233.6
18	123.0	37	241.8
19	127.3	38	250.3

Limited Warranty

Aastra Telecom

- A. Aastra warrants that the BE-1438VP sold by Aastra within the continental limits of the United States, Hawaii and Alaska, is free from defects in materials and workmanship under normal use and service for 1 year. This warranty is applicable only to the original purchaser of the BE-1438VP, when accompanied by a sales receipt stating the date of purchase and name of the company from which purchased. This warranty is in lieu of and excludes all other warranties, expressed or implied, including any implied warranty of merchantability or fitness, and of any other obligation on the part of Aastra.
- B. If the BE-1438VP shall prove to be defective, then Aastra shall either replace or repair the BE-1438VP at its discretion. Warranty service for your BE-1438VP is provided by Aastra Telecom.

- F. This warranty gives you specific legal rights, and you may also have other rights which vary from state to state.
- G. This warranty does not extend to any BE-1438VP sold by Aastra which has been subjected to misuse, neglect, accident, improper application, improper installation or to use in violation of the instructions furnished by Aastra. This warranty does not extend to or apply to any BE-1438VP which has been repaired or altered by any persons who have not been expressly approved by Aastra.
- H. Aastra shall not be liable for any special or consequential damages or for loss or expense directly or indirectly arising from use of the products or any inability to use them either separately or in combination with other equipment or product accessories or from any other cause.
- I. Aastra reserves the right to make changes in the design of the BE-1438VP and to make additions or improvements to the BE-1438VP with-

For Warranty Service Please Call 888-663-1505

- C. You will be responsible for shipping charges, if any. When you return this telephone for warranty service, you must present proof of purchase
- D. There is no informal dispute settlement mechanism available.
- E. Some states do not allow limitations on how long an implied warranty lasts and/or do not allow the exclusions or limitations of incidental or consequential damages, so the above limitations or exclusions may not apply to you.

out incurring any obligation to modify any BE-1438VP previously sold.