

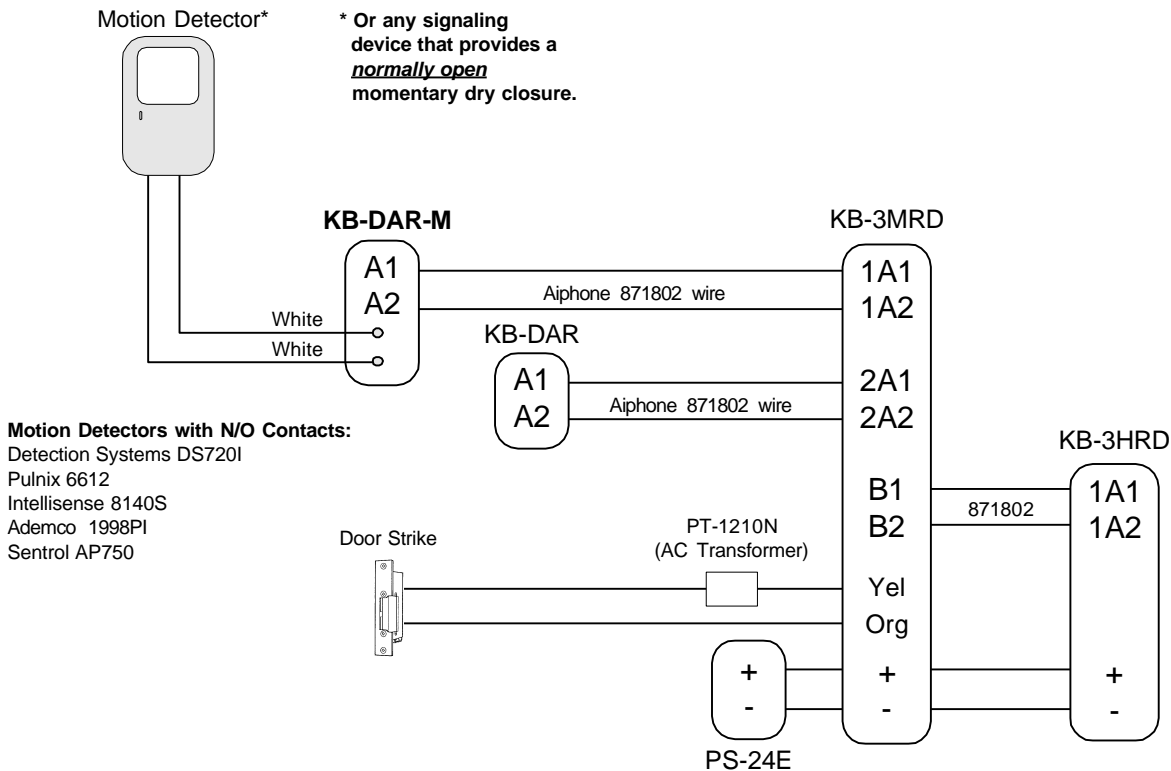
KB-DAR-M

KB-DAR Modified for Motion Detector Interface

- INSTRUCTIONS -

The KB-DAR-M allows any standard motion detector or activation device with a normally open contact to be interfaced with the KB-3MRD Video System. When the motion detector is tripped, the camera will turn on and a chime will be heard at the inside monitor station(s), indicating that there is some activity near the door station location.

WIRING DIAGRAM:



Installation Guidelines:

1. The motion detector must provide a normally open momentary contact. A Photoelectric beam, pressure pad, or remote call button can also be used to activate the video door station.
2. The KB-DAR-M works with the KB system only. Standard KB-DAR's can be used in the same system if they are not interfaced with a remote activation device.

Note:

Only information concerning the use of the KB-DAR-M is shown here. For complete system installation, please refer to the instruction manuals included with the video system.