

# AIPHONE

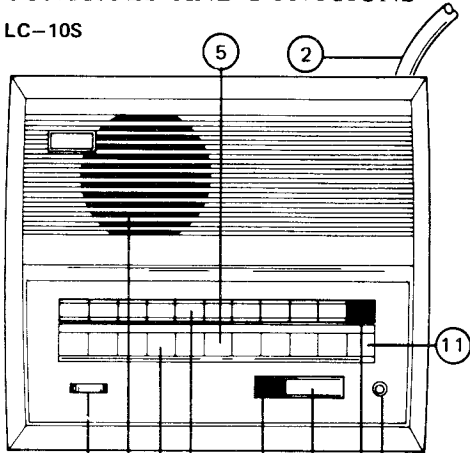
## LOUDSPEAKER INTERCOM SYSTEM

MODEL LC-3S (three call master)  
 MODEL LC-5S (five call master)  
 MODEL LC-10S (ten call master)

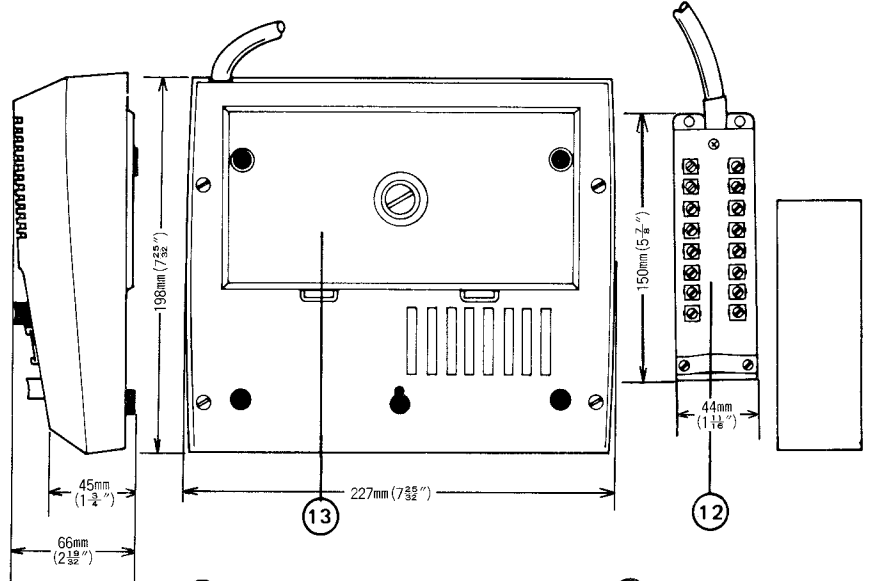
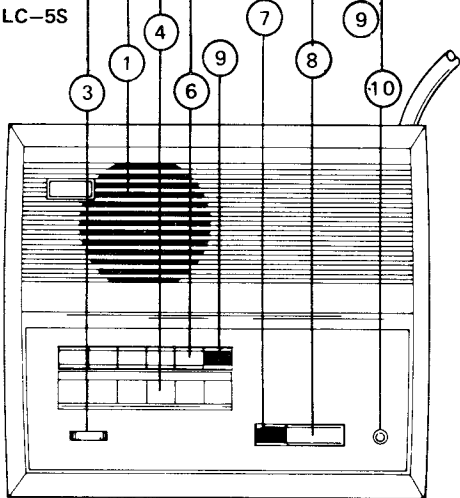
### - INSTRUCTIONS -

#### CONTROLS AND FUNCTIONS

LC-10S

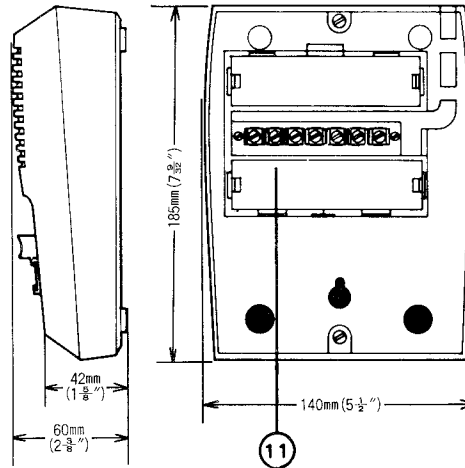
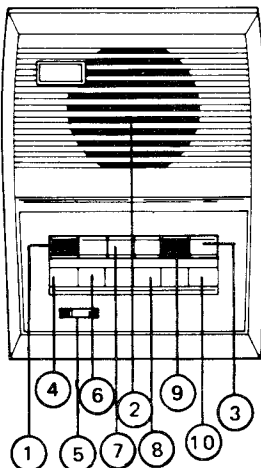


LC-5S



- |                      |                     |
|----------------------|---------------------|
| ① Speaker/Microphone | ⑧ Talk button       |
| ② Terminal cord      | ⑨ OFF button        |
| ③ Volume control     | ⑩ Occupied lamp     |
| ④ Name plate         | ⑪ ON lamp           |
| ⑤ Signal lamp        | ⑫ Terminal box      |
| ⑥ Selector button    | ⑬ Battery box cover |
| ⑦ Privacy button     |                     |

LC-3S



- |  |
|--|
| ① OFF button                           |
| ② Speaker/Microphone                   |
| ③ Talk button                          |
| ④ ON lamp                              |
| ⑤ Volume control                       |
| ⑥ Name plate                           |
| ⑦ Selector button                      |
| ⑧ Signal lamp                          |
| ⑨ Privacy button                       |
| ⑩ Occupied lamp                        |
| ⑪ Battery box and connecting terminals |

## SPECIFICATIONS:

- \* Power source: DC 6 V. Use PS-2S (CS-12A in North America) power supply per system. If one master only is used in a system which includes several sub stations, power supply PS-3 (CS-6A in North America) may be used; or, units may be powered by 4 standard "D" batteries placed in each LC-5S or LC-10S, and 4 standard "C" batteries placed in each LC-3S.
- Master Station:
- \* Current consumption: 160 mA plus  $N \times 40$  mA for an entire system. (N shows number of master stations.)
  - \* Output: LC-3S 220 mw,  $20\Omega$   
LC-5S and LC-10S 400 mw,  $20\Omega$
  - \* Master station calling: Push button station selection. Occupied and on lamps indicate when the system is in use.
  - \* Wiring: Up to 16 conductor cable may be required. Please refer to the instructions and wiring diagrams to design a system that meets your requirements.

## FEATURES:

- \* Highest manufacturing standard ensures outstanding reliability with trouble free operation.
- \* Single channel system.
- \* Hands free remote reply; a call received at an open voice station – if no privacy is required – can be answered from anywhere in a room without touching the instrument (range approximately 20 feet).
- \* "Privacy" button; no monitoring or "eavesdropping" is possible on a station in privacy switch position. A call can still be received and answered upon unlocking of the privacy button.
- \* A wide choice of substations; seven substations are available to meet individual requirements.
- \* Designed for either desk or wall mounting.
- \* Simple push button operation with volume control for fingertip adjustment.
- \* Excellent voice fidelity due to well engineered and perfectly matched amplifiers.
- \* Master-to-master call by tone or voice direct (LC-3S voice only).
- \* Master receives call from substation by tone and lamp annunciation.

## INSTALLATION

Do not attempt to install your intercom system until you have read and thoroughly understood the installation procedure. Aiphone's warranty is void if system is installed in a manner other than described in this manual.

## WIRING

Lay out your system in advance. Determine the exact location of each station. Make yourself a sketch showing the number of wires required from each station.

## WIRING REQUIRED

- LC-10S – 16 conductors maximum.
- LC-5S – 11 conductors maximum.
- LC-3S – 7 conductors maximum.
- V-A – 2 conductors from V-A to selected master.
- V-B – 2 conductors from V-B to selected master.
- V-AN – 2 conductors from V-AN to selected master.
- V-L – 2 conductors from V-L to selected master.
- V-A2 – 3 conductors required; one common and one to each of two selected masters.
- V-A4 – 5 conductors required; one common and one to each of four selected masters.

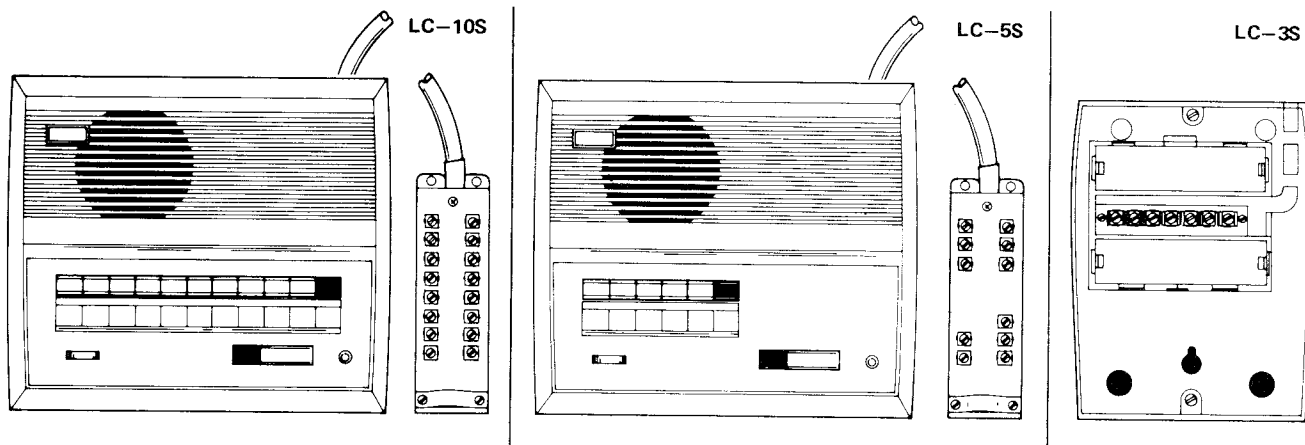
Refer to the chart below and select the proper wire gauge to meet your requirements.

AWG WIRE SIZE	24 AWG	22 AWG	20 AWG	18 AWG
DISTANCE	400'	650'	1000'	1600'
DIAMETER OF WIRE	0.5 mm	0.65 mm	0.8 mm	1.0 mm
DISTANCE	120 m	200 m	300 m	400 m

Begin your installation with master station no. 1. (Master stations should be designated no. 1, no. 2, no. 3, etc. All masters included in your system should be connected and tested before beginning substation installation.) A space is provided at the left of the all master diagram (on page 4 and 5 of this manual) to write in your color code. Note the position of the C terminal at each master station. Be sure you wire each station correctly.

After installing your second station we recommend that the power supply be connected to the + and - terminal lines at a convenient location and that a test be made for calling and talking between each station. (If batteries are used, insert batteries.) As each additional station is installed re-test between each station. Unplug power supply while making wiring connections.

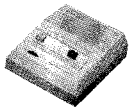

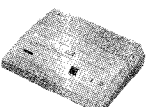

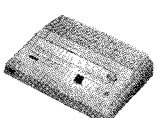

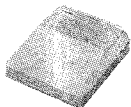






### ACTUAL LC-S MASTER STATION TERMINAL LOCATIONS:



### INSTALLATION FOR WALL MOUNTING:

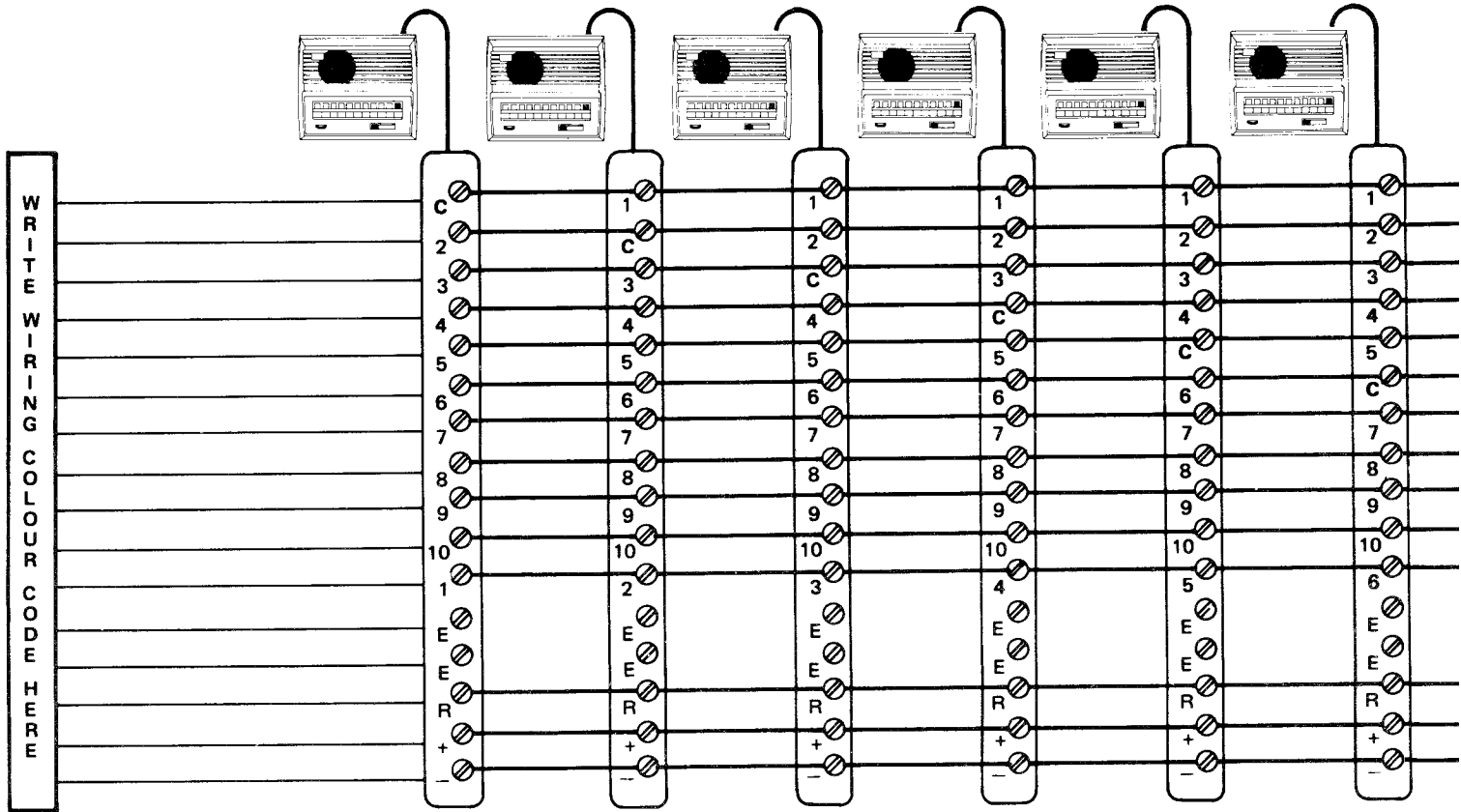
Your LC-S system is shipped complete with screws for wall mounting. Templates are also provided for easy proper location. Master stations and substations (except V-B) have slots, allowing the station to easily drop over the screws protruding from the wall.

### EQUIPMENT AVAILABLE FOR USE WITH YOUR LC-S LOUD SPEAKER INTERCOM SYSTEM

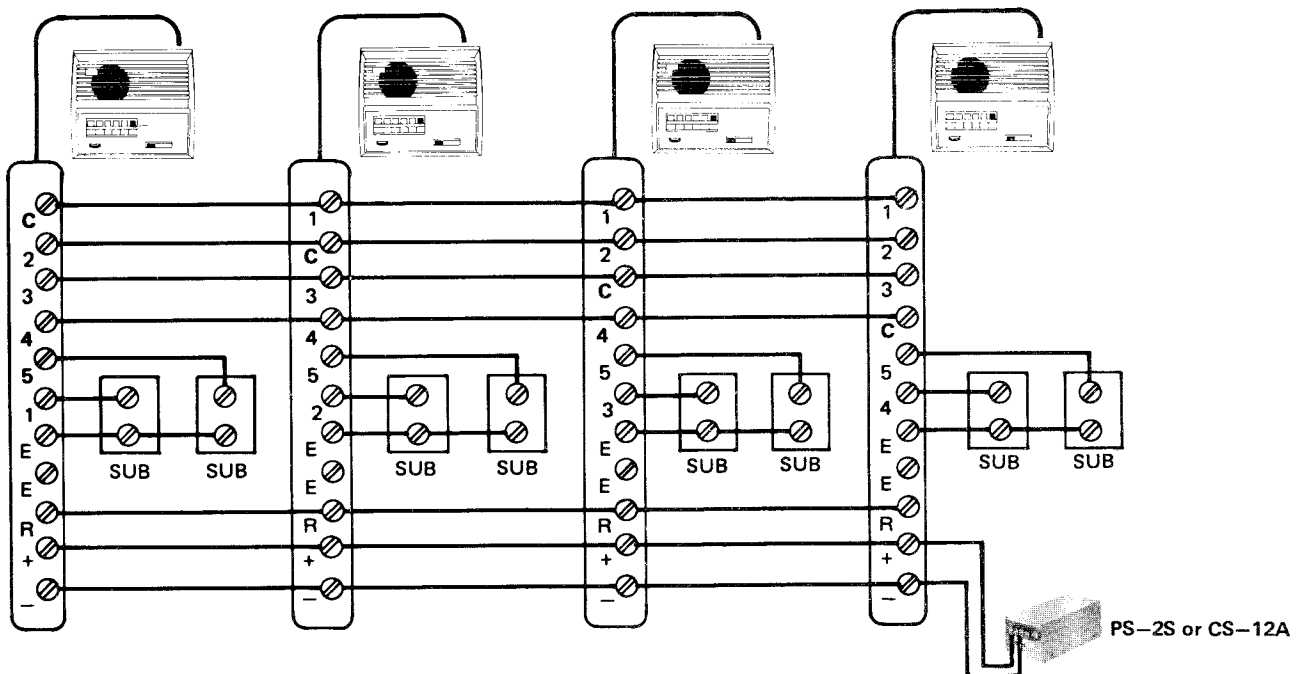
- |   |  |  |  |
|---|--|--|--|
|  | LC-3S: 3 call master.  |  | V-L: Memory call substation. A call to a master station from this substation will be indicated by a sound signal and in addition by a lamp at the master station, both of which stay on at the master station until the master station answers. This substation places to and receives a call from one master. |
|  | LC-5S: 5 call master.  |  | V-A2: This substation places to and receives calls from two masters.   |
|  | LC-10S: 10 call master.  |  | V-A4: This substation places to and receives calls from four masters.  |
|  | V-A: Standard substation places to and receives calls from one master.   |  | PS-3: Power supply. For a system consisting of one master and several sub stations. Switch must be set at 6 volt.  |
|  | V-B: Surface or semi-flush weather resistant substation. Places to and receives calls from one master.   |  | CS-6A: UNDERWRITERS' LABORATORIES INC. LISTED power supply. For a system consisting of one master and several sub stations. Switch must be set at 6V. (Available only in N. America)   |
|  | V-AN: Privacy substation. With the "privacy" button in the depressed position no voice transmission from this substation is possible, thus eliminating 'eavesdropping' from the master station. This substation places to and receives a call from one master. |  | PS-2S: Power supply. One required per system. Switch must be set at 6 volt.  |
|   |  |  | CS-12A: CSA Listed power supply. One required per system. Switch must be set at 6V. (Available only in N. America)   |

# LC-10S ALL MASTER SYSTEM

If batteries are used in place of central power supply there



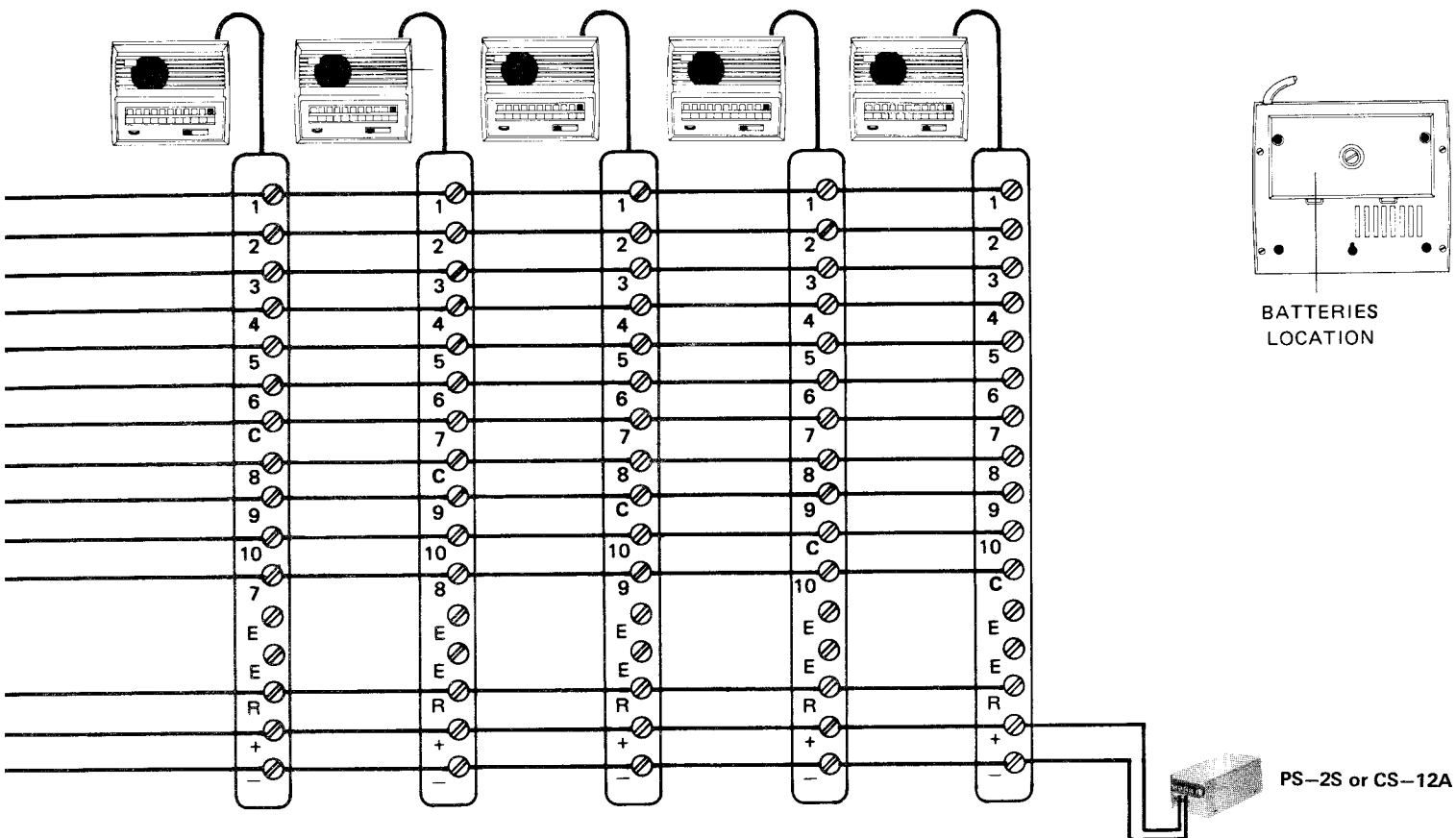
## LC-5S OR LC-10S WITH SUBSTATIONS



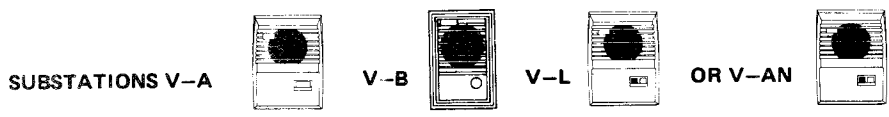
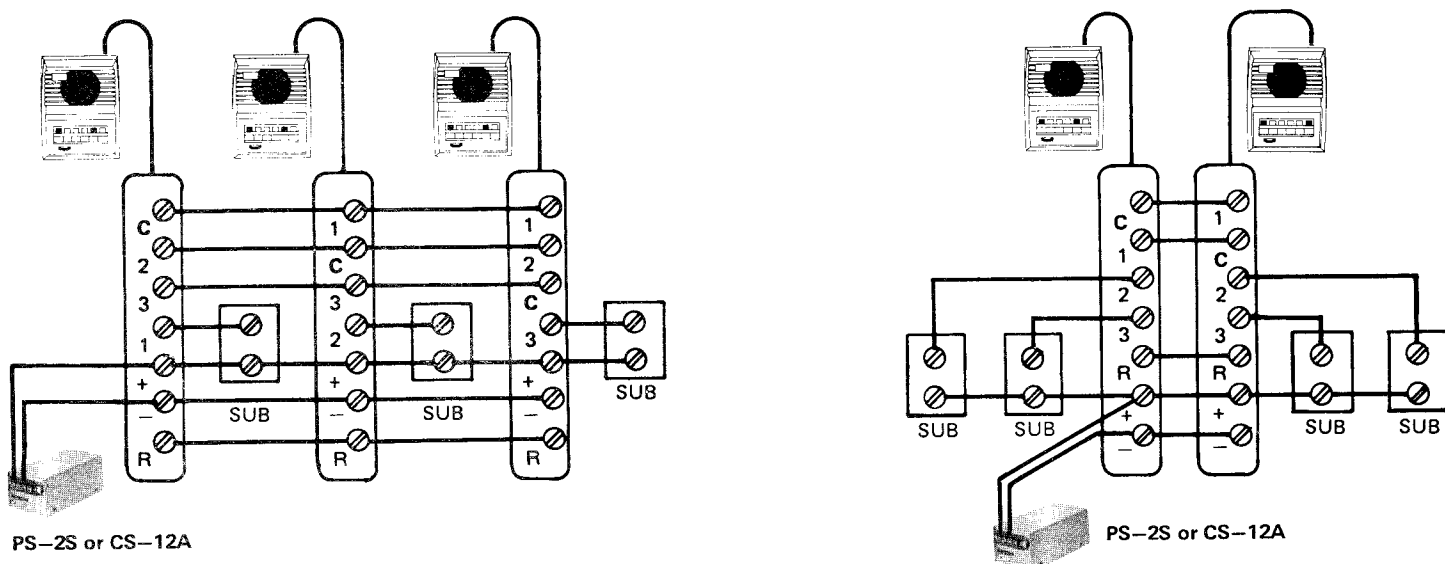
In the above example: (using LC-5S) all master stations can communicate with each other. Substations may call connected master only if the system is not occupied with another conversation.

# USING CS-12A POWER SUPPLY

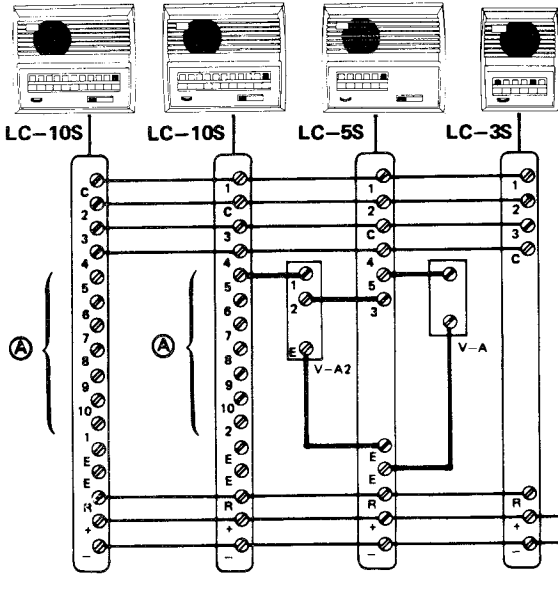
no need to run wire or make connections to + and - terminals.



# LC-3S WITH SUBSTATIONS V-A, V-B, V-L, OR V-AN



## INTERMIXED MASTER STATIONS AND SUBSTATIONS

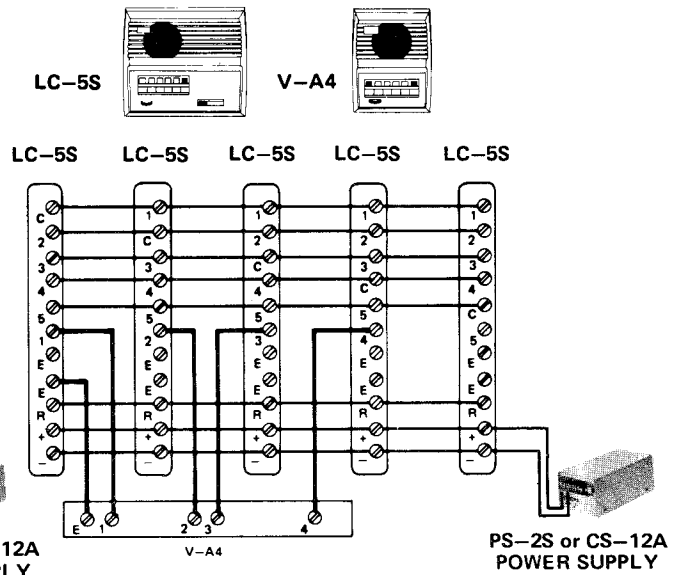
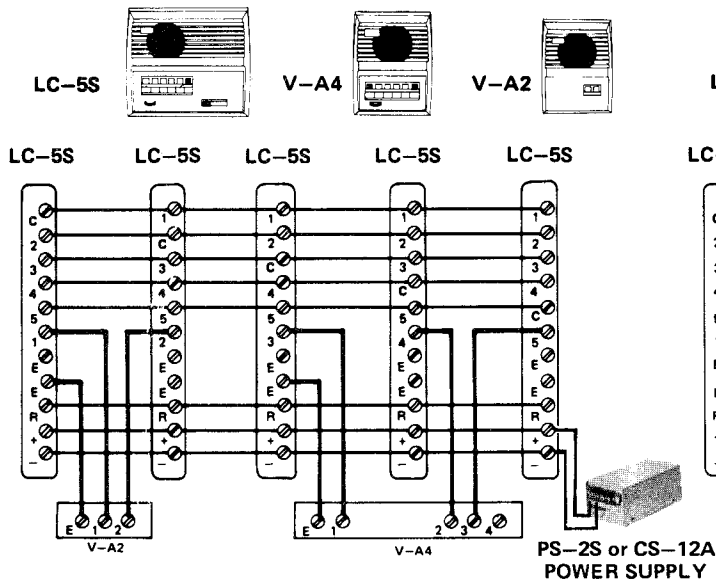


Ⓐ These terminals are available for connection to other subs or masters.

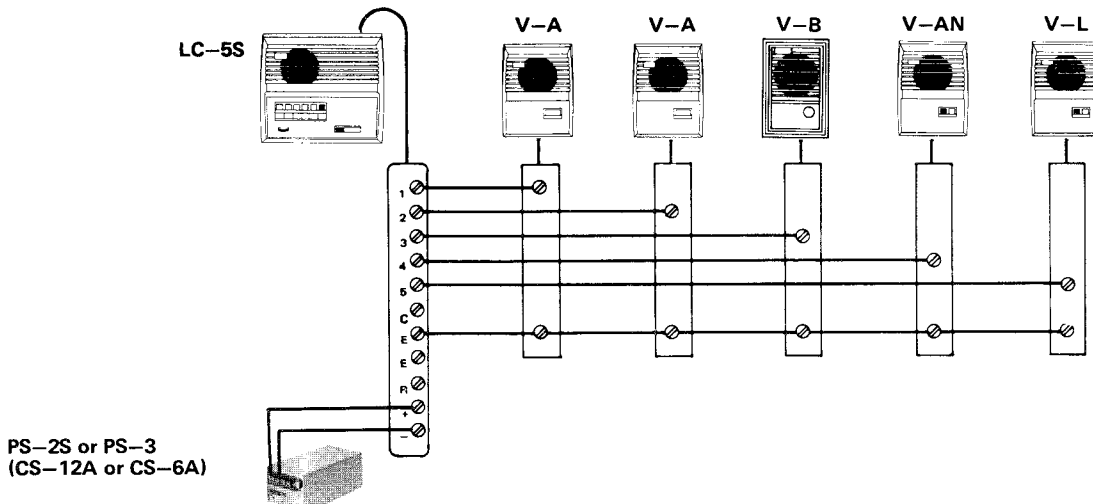
Equipment available for use with an LC-S system can be intermixed to provide a communications network to meet your requirements. With proper pre-installation planning, your LC-S system can become one of the most useful and versatile intercom networks available.

### LC-5S SYSTEM WITH V-A2 AND V-A4 SUBSTATIONS

### LC-5S SYSTEM WITH V-A4 SUBSTATION



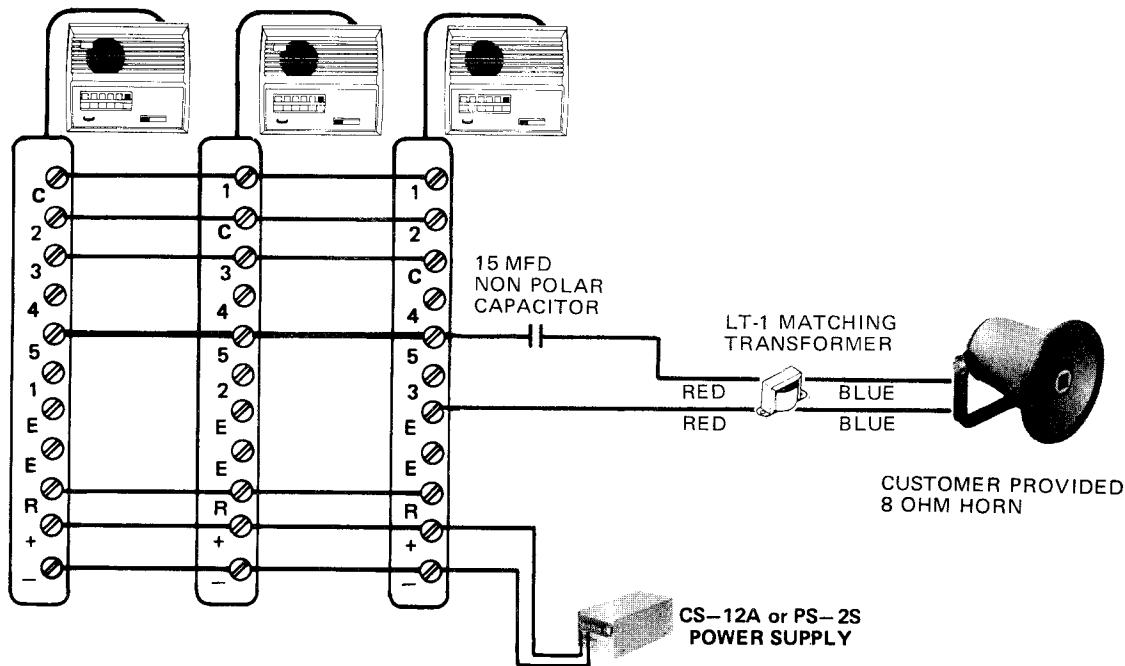
### LC-S SYSTEM WITH ONE MASTER AND FIVE SUBS



## LC-S SYSTEM WITH TALKBACK PAGING HORN

Your LC-S system can not be connected to a standard paging system. In addition your LC-S system was not designed to incorporate talkback paging horn substations. However, a talkback paging horn may be added to your system as shown below. You must keep in mind that the LC-3S has an output of 220 mw, and the LC-5S and LC-10S has an output of 400 mw.

LT-1 matching transformer is designed for using a standard 8 ohm horn in place of a substation.  
15 MFD non-polarized capacitor must be installed between number terminal on master and a red lead of LT-1.



## MASTER STATION LC-10S AND LC-5S OPERATION

Placing a call:

1. Make sure occupied light is not on. (If occupied light is on, then system is in use and you must wait until the light goes out before placing your call).
2. Depress the selector button of the desired station.
3. To call by tone, momentarily depress both private and talk buttons.
4. To call by voice, depress talk button and speak.
5. To listen, release talk button.
6. Upon completing conversation, depress OFF button.

**NOTE:** LC-S master station OFF button, when depressed, puts station in standby position as well as off position. OFF button **MUST BE DEPRESSED** on all master stations except station initiating a call or system will not work.

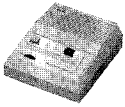
## MASTER STATION RECEIVING

1. Receiving a call from another master:
  - a. Unless privacy switch is in depressed position, no action required and communication is hands free.
  - b. With privacy switch in depressed position, release same by momentarily depressing talk button, then resuming hands free operation as above.

**NOTE:** There is no lamp annunciation between master stations.

2. Receiving a call from a substation:
  - a. Substation call is announced by tone and lamp annunciation.
  - b. Depress the selector switch beneath the lighted indicator lamp.
  - c. To talk, depress talk button. Release to listen.
  - d. Upon completing conversation, depress OFF button.

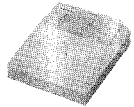
## MASTER STATION LC-3S OPERATION



BUT FOR THE FOLLOWING TWO EXCEPTIONS, operation of LC-3S master station is exactly the same as the LC-5S and LC-10S:

1. Calling by 'tone' is not available on the LC-3S.
2. To release LC-3S from privacy position, depress OFF button.

## SUBSTATION OPERATING INSTRUCTIONS



V-A

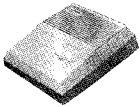
Calling and talking

1. Depress momentarily call button. You will hear a call tone. Wait for master to answer. After master replies, communication from V-A is hands free.
2. If no call tone is heard when V-A call button is depressed, the system is occupied with another conversation. Wait a few moments, then place call again.



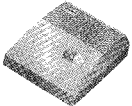
V-B

Same as V-A.



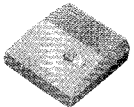
V-A2

Same as V-A except two buttons allowing calling and talking to two masters.



V-L

Same as V-A except memory relay maintains calling tone at master. If master does not answer, call may be cancelled by depressing red OFF button.



V-AN

Calling and talking operation same as V-A.

V-AN has privacy switch which allows a call to be received from master but prevents sound from going back to master. To place V-AN in privacy position, depress OFF button. To release privacy switch for conversation, momentarily depress call button.



V-A4

Depress selector button corresponding to the master you wish to call, then call button. Calling and talking same as V-A. At conclusion of conversation, depress OFF button.

NOTE: OFF button on V-A4 must be in depressed position when sub is not in use.

\* Your Aiphone intercom stations may be cleaned with a soft cloth dampened with household cleanser, such as Mr. Clean, or Fantastik.

We at AIPHONE are proud of our products. Our designers and engineers strive to bring you the finest in communication equipment. Each item has been carefully tested and inspected before leaving our factory. Properly installed and used, your Aiphone intercom system should give years of trouble-free service.

We are pleased to offer the following warranty:

