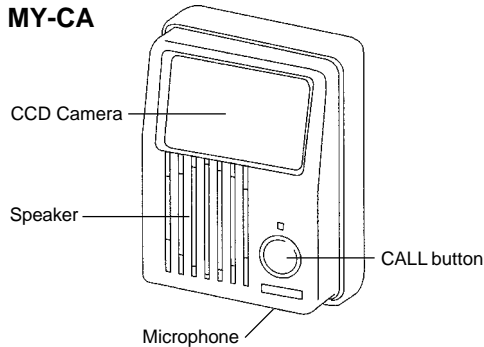


### MY-Series Audio/Video Door Stations

#### Prism Lens PanTilt Cameras

##### MY-CA



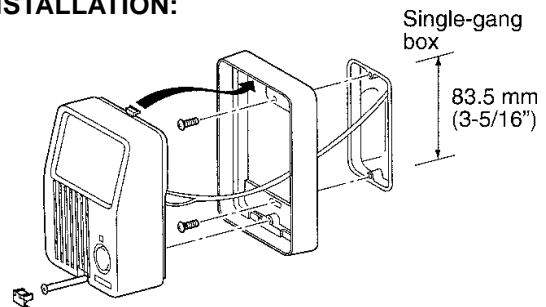
##### MY-CA FEATURES:

- Easy two-wire installation
- Built-in infrared LED for low light conditions
- Programmable camera position memory
- Weather resistant for outdoor use
- Push button to call inside station(s)
- Hands free communication when master answers
- Compact surface mount design
- Mounts to 1-gang box or ring

##### COMMON SPECIFICATIONS:

System:	MY-1CD, MY-2CD, LEF
Scanning Lines:	525 Lines
Min. Illumination:	1 lux (at a distance of 12")
Camera Unit:	CCD (Charged Coupled Device)
Image Viewing Area:	35" V x 4'7" H
Wiring Distance:	165' w/22AWG; 330' w/18AWG
Material:	ABS plastic
Color:	Black

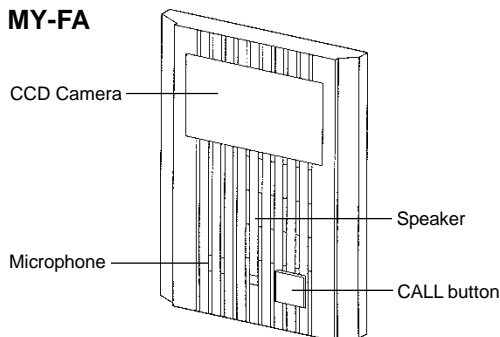
##### MOUNTING & INSTALLATION:



##### MY-CA Specifications:

Mounting:	Surface mount
Backbox:	1-Gang box or ring
Dimensions:	5-1/4" x 3-15/16" x 1-7/8"

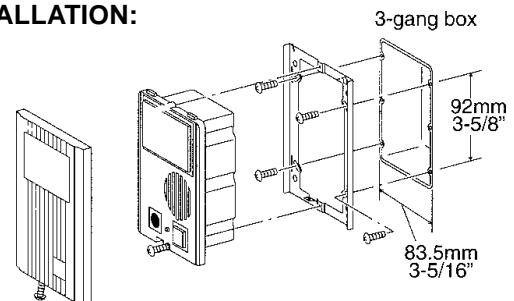
##### MY-FA



##### MY-FA FEATURES:

- Easy two-wire installation
- Built-in Infrared LED for low light conditions
- Programmable camera position memory
- Weather resistant for outdoor use
- Same calling and communication as MY-CA
- Slim flush mount design, charcoal gray color
- Mounts in 3-gang box or ring

##### MOUNTING & INSTALLATION:



##### Common Specifications, plus MY-FA Specifications:

Mounting:	Semi-Flush mount
Backbox:	3-Gang, vertically mtd.
Dimensions:	6-3/8" x 4-1/2" x 1-11/16"