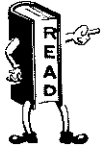


PACKAGING AND HANDLING

DISCONNECTED KS-16844 RAPIDIAL

1.00 GENERAL



KEEP ORIGINAL CARTON ON HAND.

1.01 This section describes procedures for packaging and handling of KS-16844, List 1 Rapidial unit; List 2 power supply; and List 20 housing.

1.02 Rapidial unit contains fragile apparatus that can be damaged during shipment. Housing is not strong enough to protect the unit if dropped. Therefore special packaging procedures are necessary for shipping a new unit and for returning a disconnected unit. Original carton, container, and packing material shall be retained when a new unit is unpacked. These shall be re-used when a disconnected unit is returned.

1.03 This practice is written assuming that carton, container, and packing material for the unit have been retained. It is not necessary to save the housing and power supply containers as long as suitable substitutes are available.

2.00 PACKAGING OF LIST 1 UNIT

2.01 Remove scan knob by loosening setscrew located in hole in base (Fig. 1). Pack with unit (Fig. 2).

2.02 Remove housing by loosening four housing screws located in base (Fig. 1). See 3.00 for packaging of housing.

2.03 Place unit in a plastic bag and package it as shown in Fig. 2 and 3. Make sure the hold-down detail fits into base of unit.



Damage to the unit will result if any scrap or material other than that specified is shipped in the carton with the unit. Ship screws, scrap, and other material in a separate container.

3.00 PACKAGING OF LIST 20 HOUSING

Wrap housing in cellulose wadding or equivalent to provide a 1/4-inch cushion. Provide a 1/2-inch cushion on top of housing. Place in shipping container (Fig. 4).

4.00 PACKAGING OF LIST 2 POWER SUPPLY

Each power supply shall be packed separately in a suitable container. A limited number of individually packed power supplies may be shipped in a container. Gross weight shall not exceed 70 pounds.

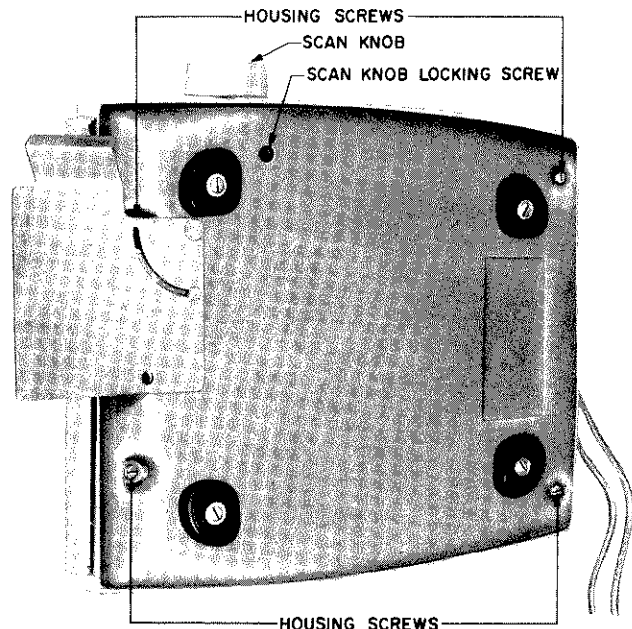


Fig. 1 — Rapidial Unit Base

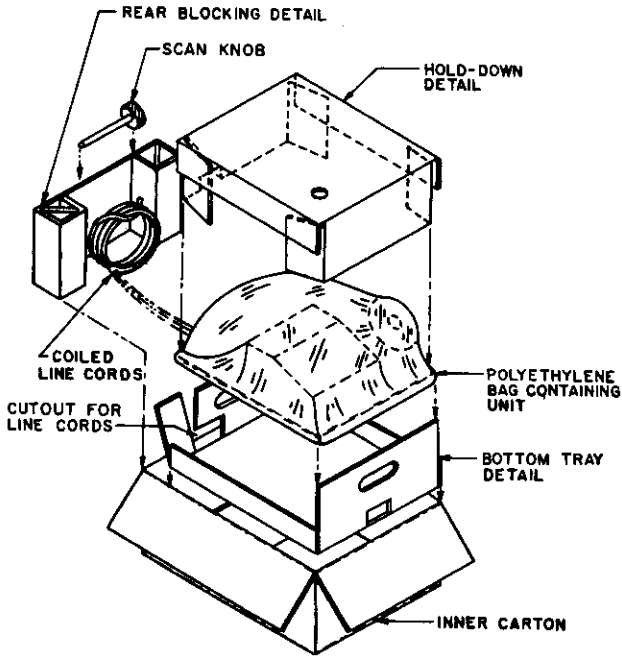


Fig. 2 - Rapidial Unit Carton

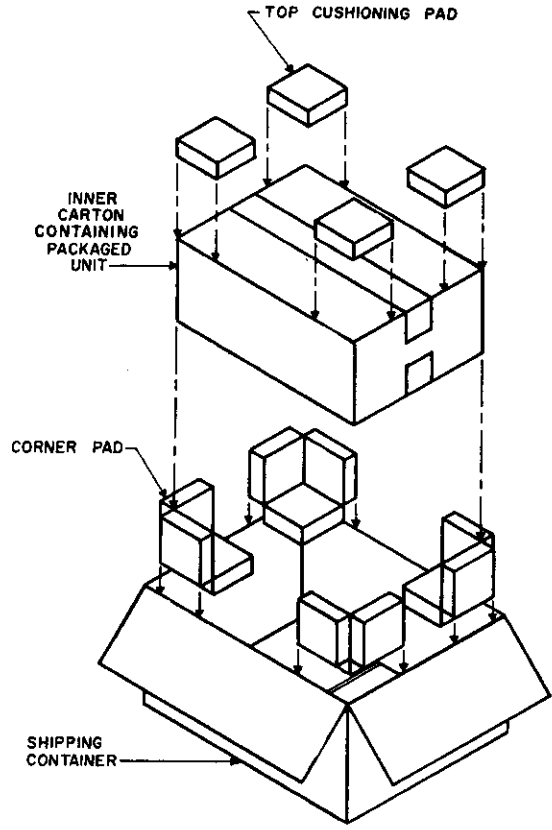


Fig. 3 - Rapidial Shipping Container

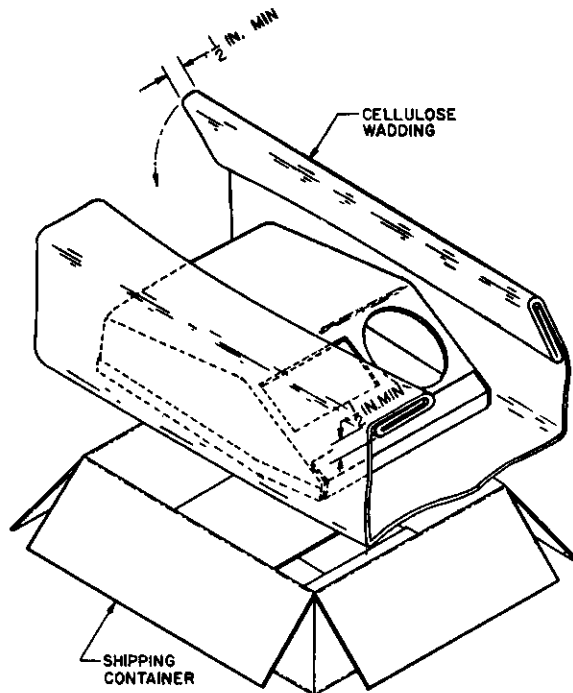


Fig. 4 - Rapidial Housing Container