

TELEPHONE SETS AND ASSOCIATED STATION APPARATUS

SELECTION OF INDOOR LOCATIONS

1. GENERAL

1.01 This section serves as a guide in planning the location of connecting blocks and associated station apparatus under the following conditions.

- For general indoor use
- At normal temperatures
- In a non-explosive atmosphere
- At dry locations.

1.02 This section is reissued to:

- Update figures
- Add additional information and guidelines to follow when placing telephone set and associated station apparatus
- Update to modular connecting blocks.

1.03 Whenever service is provided in other than the above locations, refer to the appropriate sections in Bell System Practices covering special installation.

2. PLANNING

2.01 The location for telephone apparatus suggested by the subscriber should be given prime consideration, pointing out to the customer any safety hazard, maintenance, or appearance problem.

2.02 ♦**Bathrooms** are not a preferred location for telephone sets. If the customer insists on placing a telephone there, it should be located so that the telephone and/or handset cannot be used while in the bathtub or shower. Provide only standard length mounting cords and handset cords on telephone sets located in the bathrooms. If the size of the bathroom is such that the tub

or shower can be reached no matter where the telephone is located the customer should be cautioned of the possibility of electric shock if the telephone is used while in the tub or shower.♦

2.03 ♦Telephone equipment can be damaged by water and moisture. Locations near windows and sinks where rain or moisture could cause an OUT OF SERVICE condition should be discouraged. In high humidity areas or locations where moisture can cause corrosion in connecting blocks, mount all connecting blocks 12 inches or more above the floor (electrical outlet height). Also special connecting blocks with spring loaded covers (example: 625S) should be used.♦

2.04 Perimeter space around wall telephone connecting blocks should be considered to insure that future substitutions to possibly larger sets (example: repertory dialers, etc.) can be accomplished by unplugging and plugging on the new telephone without the necessity of moving the connecting block.

2.05 ♦The temperature range for normal operation of most telephone sets is from zero degrees F to 120 degrees F. Except as noted below, exposure to temperatures outside this range should not result in permanent damage but may cause malfunctioning. Some telephones such as the TOUCH-A-MATIC® 16 telephone set may not function properly below 32 degrees F.♦

Note: ♦Telephone equipment should not be subjected to temperatures above 145 degrees F. At temperatures above this, plastic parts such as spacers or covers will melt causing permanent damage to the equipment.♦

2.06 Locations should be avoided where the room noise is likely to cause customer complaints of "Can't hear" or "Can't be heard." However, if no quieter location is available, review the section on apparatus for use at noisy locations. In addition,

NOTICE

Not for use or disclosure outside the
Bell System except under written agreement

SECTION 502-120-200

apparatus should be accessible for maintenance and free from accidental mechanical damage or receiver-off-hook trouble.

2.07 ♦Placing telephone apparatus near fluorescent light unit may result in inductive noise.♦

2.08 Where the appearance of the completed installations may have a bearing on customer choice of location, inform the customer as to where it may be necessary to have holes drilled, also where and how wire or cable will be placed and exposed.

2.09 Discourage locations on finely finished surfaces such as:

- Marble
- Expensive wood paneling
- Ceramic or glass tile
- ♦Plastic laminate.♦

2.10 If the location selected for the station apparatus ♦is in an area where conventional stapled wire installations are not permitted or are not desirable♦ (ceramic or glass tile, etc.), consider using adhesive backed B Station Wire and a 625C connecting block mounted on a 723 terminal base which has adhesive backing and does not require holes for mounting. ♦Refer to Section 461-200-206 for station wire installation.♦

2.11 Consider the use of available conduit or prewired facilities when planning station apparatus locations.

2.12 When the customer desires a telephone in a dimly lighted location or where security and safety may warrant the use of the telephone during the night, a set with dial night-light such as the PRINCESS® telephone (700-type) or a set with an illuminating dial such as the TRIMLINE® telephone (Fig. 2) should be recommended to the subscriber.

3. LOCATING

♦**Note:** Inside walls are considered primary locations for connecting blocks and telephones. Whenever possible and with the concurrence of the customer, they should be used instead of outside walls.♦

3.01 ♦**Wall Sets:** Connecting blocks for wall mounted telephone sets should be at approximately 54 inches in height unless the customer and/or conditions require different heights.♦

3.02 *Desk-Type Telephone Sets.*

(a) Consider which hand the customer uses to hold the handset before selecting a location on the desk for the telephone set. An improperly placed telephone instrument could create a nuisance by causing the handset cord to pass across papers or other items in front of the subscriber.

(b) ♦Discourage connecting block locations where a telephone instrument is to be used between two tables or desks by stretching the mounting cord across an aisle or passageway.♦

(c) Before attaching any telephone apparatus to a desk, inspect for special wiring facilities which may be provided by the manufacturer, such as knock-out discs or rubber grommets for the telephone set's mounting cord (see Fig. 6).

3.03 *Connecting Blocks.*

(a) ♦Whenever a desk is against a wall, the telephone connecting blocks and wire should be fastened to the wall, not the desk. If a desk is not near a wall, the connecting block should be fastened to the desk using nondamaging magnetic or adhesive backed type fastenings and blocks.♦ A connecting block placed on a desk should be located high enough to hold the cord off the floor. A convenient mounting area is usually on the upper part of the outer panel (Fig. 5).

♦**Note:** Connecting blocks may be installed with the modular opening facing either left, right or down, but never with the opening up.♦

(b) Connecting blocks attached to walls or baseboard should be high enough to remain moisture free during normal floor cleaning and scrubbing.

3.04 *Ringers or Signals.*

(a) External ringers or signals should be placed in locations where they can be easily heard,

and if they have an adjustable volume control the customer should have easy access to this control.

(b) The mounting surface can have an effect on the volume output of a ringer or signal. Some **hard** materials may serve as a sounding board and amplify the sound while other **soft**

materials (example cloth) may tend to deaden the sound.

3.05 Keys or Switches: External keys and switches should be located where they are convenient to operate and still meet all safety, maintenance, and appearance restrictions.

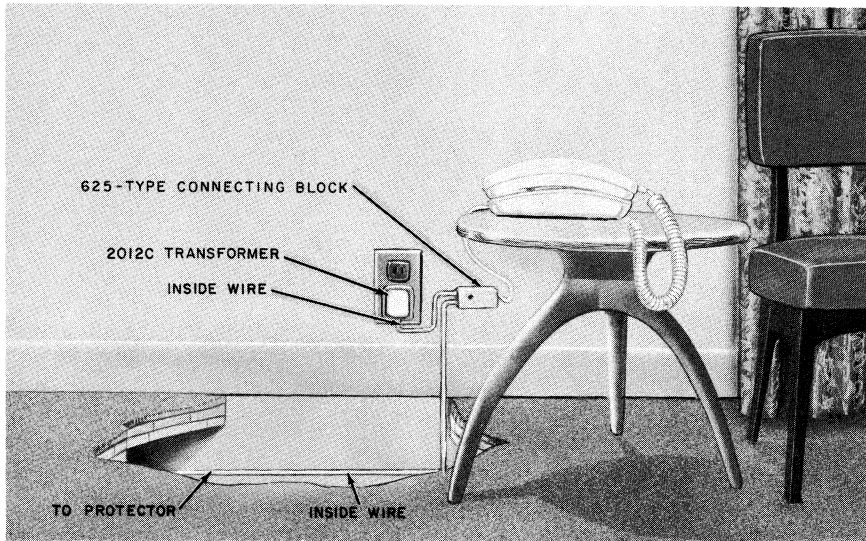


Fig. 1—Typical Installation of a TRIMLINE Desk Telephone Set



Fig. 2—TRIMLINE Handsets and PRINCESS Telephone With Illuminated Dial Feature

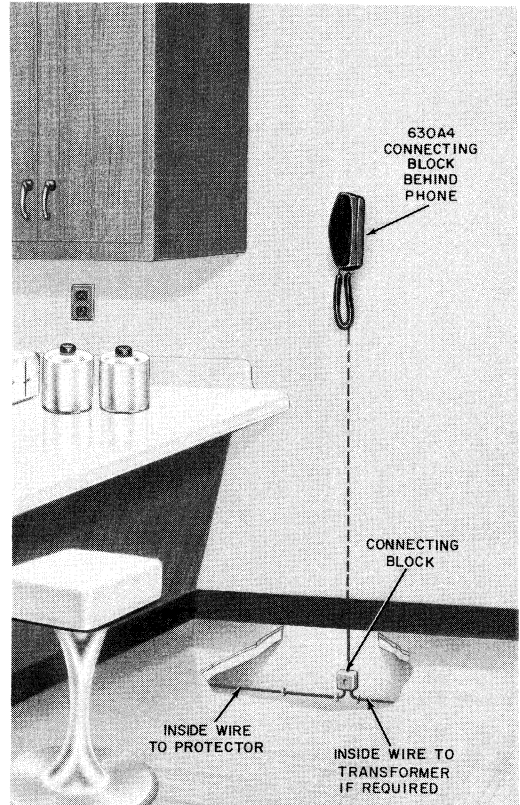


Fig. 3—Typical Installation of a Wall TRIMLINE Telephone

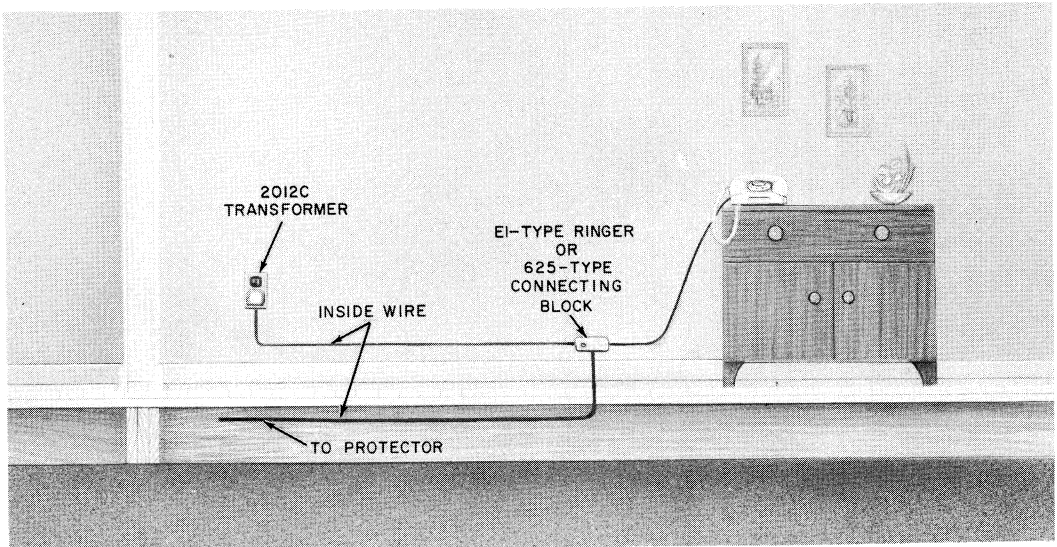


Fig. 4—Typical Installation of 700-Type Telephone Set

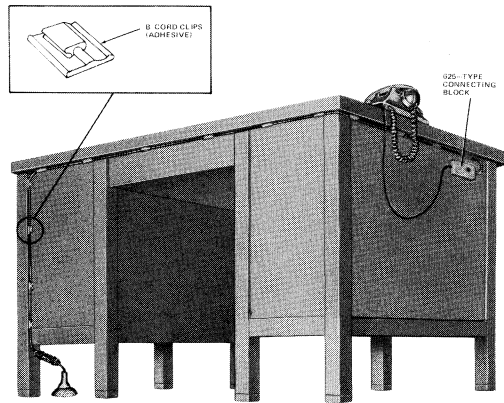


Fig. 5—Typical Station Installation on Desk Having No Wiring Facilities

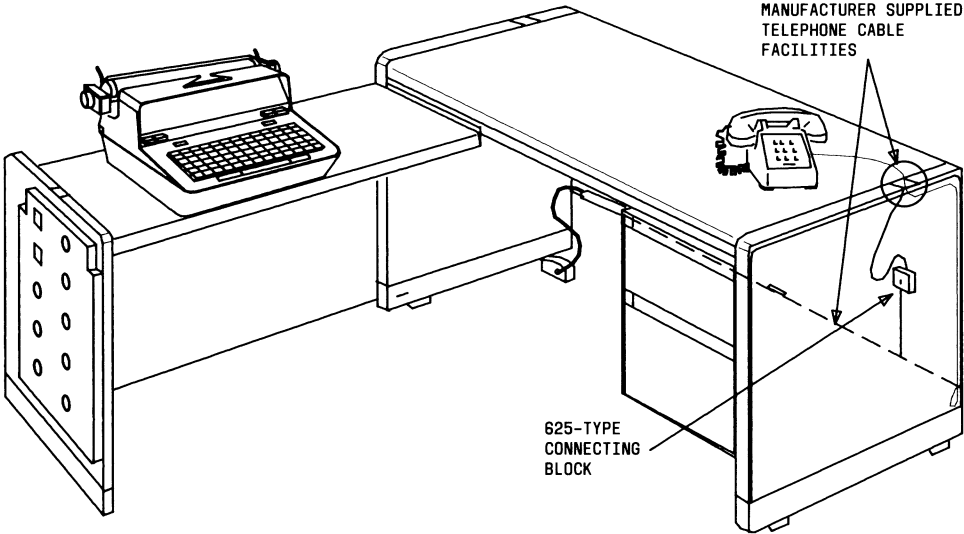


Fig. 6—Desk With Built-in Wire Channel and Desk Top Opening for Telephone Wire