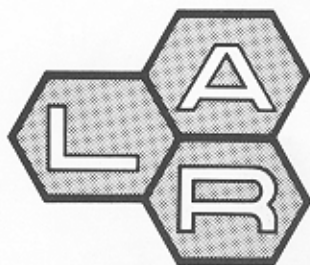
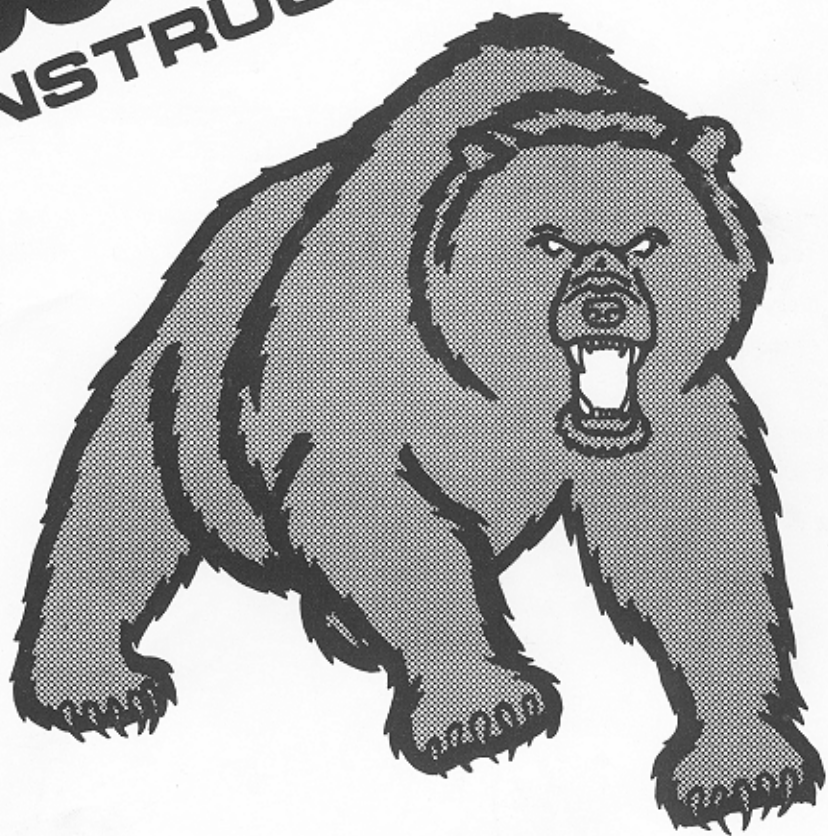


# THE GRIZZLY WIN MAG™ INSTRUCTION MANUAL



# Index

PRECAUTIONS AND WARNING .....	Page 1
NOTICE AND DISCLAIMER .....	2
EXTERIOR PARTS ILLUSTRATION .....	3
PRODUCT FEATURES .....	3-4
DATA AND SPECIFICATIONS .....	4
SAFETY INSTRUCTIONS .....	5-6
SAFETY FEATURES .....	7-8
FUNCTIONING OF PISTOL:	
LOADING .....	9-10
UNLOADING .....	10-11
FIRING .....	11-12
MAINTENANCE:	
STRIPPING .....	13
CLEANING .....	14-16
STORAGE .....	16
SERVICE AND REPAIRS .....	16
MULTI-CALIBER CONVERSIONS (Exchanges):	
OPERATION AND USE .....	17
INSTALLATION - ASSEMBLY - DISASSEMBLY .....	17-18
PROBLEMS AND REMEDIES .....	18-19
VARIATIONS, CUSTOMIZATIONS AND SERVICES .....	19
PARTS LIST AND ILLUSTRATION .....	20
OWNER'S FIREARM RECORD .....	(Inside Back Cover)
WARRANTY STATEMENT .....	(Inside Back Cover)



**L. A. R. MANUFACTURING, INC.**

4133 WEST FARM ROAD (8540 SOUTH)  
WEST JORDAN, UTAH 84084

TELEPHONE (801) 255-7106

# Precautions & Warnings

## WARNING

CARELESS OR IMPROPER HANDLING OF THIS FIREARM COULD RESULT IN UNINTENTIONAL DISCHARGE AND COULD CAUSE DEATH, INJURY OR PROPERTY DAMAGE.

BEFORE REMOVING THIS PISTOL FROM ITS PACKAGE, READ AND UNDERSTAND ALL OF THE PRECAUTIONS AND INSTRUCTIONS CONTAINED IN THIS MANUAL!

THE GRIZZLY WIN MAG™ IS CLASSIFIED AS A FIREARM OR DANGEROUS WEAPON BY THE ALCOHOL, TOBACCO AND FIREARMS DIVISION OF THE INTERNAL REVENUE SERVICE, U.S. TREASURY DEPARTMENT. IT IS, THEREFORE, POTENTIALLY LETHAL!

## CAUTION:

USE ONLY ORIGINAL AMMUNITION THAT IS OF HIGH QUALITY, IN GOOD CONDITION, AND COMMERCIALY MANUFACTURED, AND WHICH IS SUITABLE TO THE CALIBER YOUR GRIZZLY WIN MAG™ (GWM) PISTOL IS PREPARED TO SHOOT AT THE TIME. NEVER CARRY YOUR GWM PISTOL WITH A ROUND IN THE CHAMBER UNTIL YOU ARE READY TO SHOOT.

## CAUTION:

THIS MANUAL IS DESIGNED TO GIVE YOU BASIC ADVICE ON THE PROPER HANDLING, FUNCTIONING, MAINTENANCE AND SAFETY OF THE GWM. THEREFORE YOU SHOULD CAREFULLY READ THIS ENTIRE MANUAL. HOWEVER, YOUR SAFETY AND THE SAFETY OF OTHERS DEPENDS ON YOUR OWN THOUGHTFUL, MATURE OBSERVANCE OF THE INSTRUCTIONS AND ADVICE.

IN ADDITION, YOU SHOULD CONTINUE TO USE AND ADOPT SAFE FIREARM HANDLING PRACTICES. IF YOU ARE NOT NOW KNOWLEDGEABLE ABOUT FIREARMS, CONSULT YOUR LOCAL GUN CLUB OR NATIONAL RIFLE ASSOCIATION INSTRUCTOR REGARDING GUN SAFETY COURSES. WITH FIREARMS YOU CAN NEVER BE TOO SAFE.

# Notice/Disclaimer

## NOTICE:

Your GWM Pistol left our factory after being carefully tested, inspected and packaged. Since L.A.R. Manufacturing, Inc. cannot control nor be responsible for product handling after it leaves the factory, you should carefully inspect the pistol at the time of purchase to make sure it is undamaged AND unloaded. Your dealer can help you with this inspection.

## DISCLAIMER OF LIABILITY:

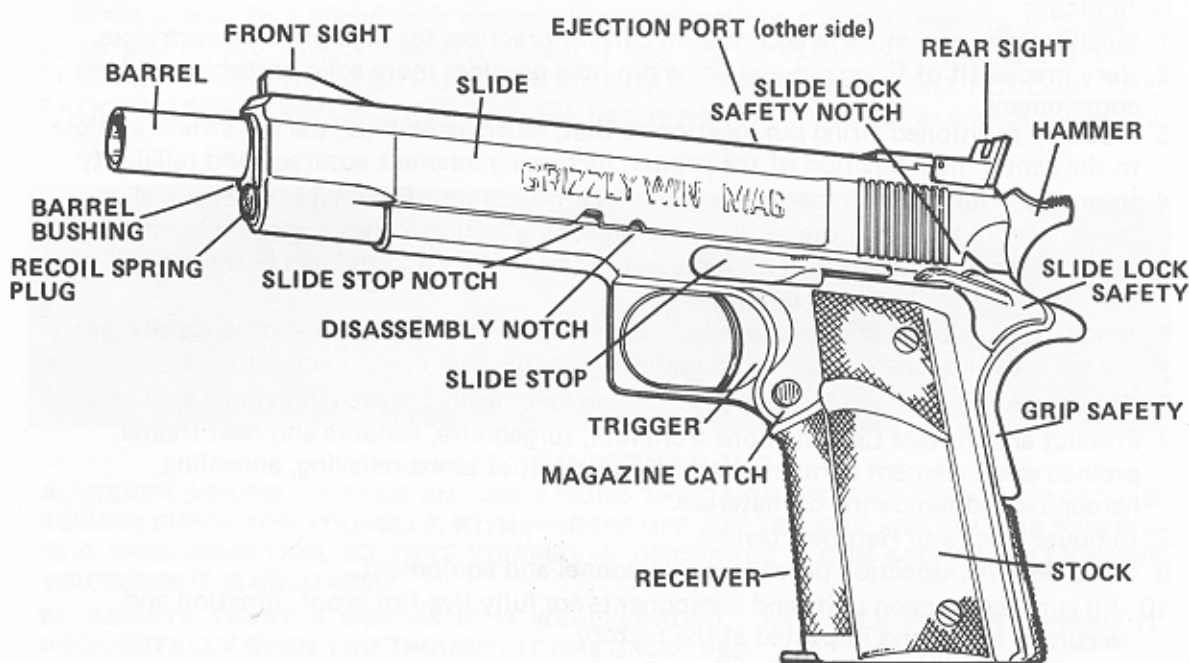
L.A.R. Manufacturing, Inc. is not responsible for death, injury or property damage which may result from either accidental or intentional use of this firearm, whether used for purposes or given treatment for which the pistol was designed or not.

L.A.R. Manufacturing, Inc. does not recognize nor honor claims involving any use or functioning of the GWM Pistol, other than as given in the Warranty Statement found elsewhere in this manual, including careless or improper handling, neglect or corrosion, the use of wrong caliber ammunition (ammunition other than original, high quality, commercially manufactured, and of those calibers for which the pistol has been specifically manufactured and fitted), unauthorized use of replacement parts or unauthorized adjustments and/or modifications. No claims for any reason will be honored by L.A.R. Manufacturing, Inc. when made by the second or any subsequent owner of the pistol.

NOTE: This instruction manual should remain with the pistol whenever the firearm ownership changes.



# Exterior Parts Illustration



Illust. No. 1— EXTERIOR PARTS ILLUSTRATION

## Product Features

For many years the 1911 has been the accepted standard in personal protection and hand gun shooting. But, for the serious handgunner, the caliber limitation has been one significant drawback.

Now L.A.R. Manufacturing, Inc. offers the marriage of the very latest patented technology with the tried and trusted design of the 1911 — so much so that anyone familiar with the 1911-type .45 automatic pistol will immediately recognize the heritage of the 1911 found in the design, style, simplicity and dependability of the Grizzly Win Mag™, PLUS superior craftsmanship in manufacturing and the two most exciting improvements imaginable: 1) The increased caliber capability, (.45 Magnum), and 2) the Multi-Caliber capacity. We sincerely believe it to be the best of both worlds.

Notable features of the GWM include:

1. Browning-type short-recoil, locked breech.
2. Combat-type speed loading beveled magazine well.
3. Combat-type, flat, checkered, rubber mainspring housing.
4. Lowered and back-chamfered ejection port.
5. Checkered rubber, non-slip, combat-type grips.
6. Polished feed ramp and precisely fitted and polished/throated barrel chamber mouth for flawless feeding.
7. Slide automatically stays open after the last shot.
8. Precisely fitted GI-type solid barrel bushing, with precision match grade fit of barrel to bushing to slide.
9. Three safeties: Grip depressor safety; manual thumb safety; and slide-out-of-battery disconnect safety.
10. Factory loaded ammunition is immediately available from standard commercial sources.

ADDITIONALLY, the following describes significant improvements over previous technology:

1. Smaller firing pin, more in accord with current practices for high-pressure cartridges.
2. Very precise fit of firing pin and firing pin hole provides more solid breeching and gas containment.
3. Precisely positioned firing pin location so that, when assembled, the pin strikes as close to the center most position of the primer, increasing inherent accuracy and reliability.
4. Improved minimum tolerance/maximum lock breeching. The GWM barrel and slide tolerances are such that the most secure breeching, which allows complete functioning of the firearm, is achieved. This increases shooter safety and reduces battering and peening from poorly fitted components.
5. Increased slide mass to mitigate recoil velocity. This also increases shooter safety, since the walls of the slide contain more material, making that component stronger.
6. The use of the very best S.A.E. alloys, chosen specifically for each individual application.
7. Product and Process Certifications from mill, forgehouse, vendors and heat treater provide exact element content, method and result of stress-relieving, annealing, hardening and tempering of materials.
8. In-house Rockwell Hardness testing.
9. Mil-Q-9858A Inspection procedures, personnel and equipment.
10. All guns, conversion units and components are fully live-fire proof, function and accuracy tested and inspected at the factory.

#### DATA AND SPECIFICATIONS

1. **Length:** 10 1/2" overall.
2. **Height:** 5 3/4".
3. **Width:** (Widest part) 1 1/8".
4. **Weight:** Empty—48 oz. Loaded—53 oz.
5. **Trigger Reach:** 3 1/8" — adjustable for over travel.
6. **Barrel Length:** 6 1/2" standard (other barrel lengths available as options).
7. **Muzzle Velocity:** 1400 F.P.S. (w/5" bbl)
8. **Muzzle Energy:** 1000 F.P. (w/5" bbl)
9. **Sights:** Front—fixed, ramped blade; Rear—fully adjustable for elevation and windage.
10. **Magazine Capacity:** 7 rounds.
11. **Accessories/Options:**

Multi-Caliber Conversion Units in calibers

.45 ACP, 9mm Winchester Magnum, 38 Super ACP, 30 Mauser, 357 Magnum & others.  
—Presentation models with select serial numbers, from 001 to 100, special finishes, in custom-fitted display cases, etc., available on special order. Special order/option price sheet available from your dealer or from L.A.R. on request.

# Safety Instructions & Features

While it may be a cliché, it is nevertheless absolutely true about firearms: It IS better to be SAFE than sorry. Therefore, even if you are an experienced and safe shooter, PLEASE READ THIS INSTRUCTION MANUAL CAREFULLY AND FOLLOW THE PROCEDURES COMPLETELY. This will help maintain your safety as well as the safety of others.

## WARNING:

The Grizzly Win Mag™, or any pistol, may discharge accidentally if it is dropped or receives a blow, regardless of any of the various safety features built into the pistol or of the position of the hammer at the time. Therefore, DO NOT PUT A ROUND OF AMMUNITION IN THE CHAMBER UNTIL OR UNLESS YOU HAVE THE PISTOL IN YOUR HAND AND ARE PREPARED TO FIRE THE PISTOL. Empty the pistol of any live rounds in the chamber or magazine immediately after shooting.

## SAFETY INSTRUCTIONS

- A. NEVER ASSUME OR TAKE ANYONE'S WORD THAT A GUN IS UNLOADED. YOU SHOULD ALWAYS CHECK FOR YOURSELF, WITH FINGERS OFF THE TRIGGER AND THE GUN POINTED IN A SAFE DIRECTION, SO THAT YOU NEVER DISCHARGE A GUN ACCIDENTALLY WHEN YOU THINK IT IS UNLOADED.
- B. ALWAYS TREAT A GUN AS IF IT WERE LOADED. THIS WILL PREVENT FIRING IT ACCIDENTALLY WHEN YOU THOUGHT IT WAS UNLOADED.
- C. NEVER POINT A GUN AT ANYTHING YOU DO NOT INTEND ON SHOOTING. THIS WAY IF THE GUN DISCHARGES ACCIDENTALLY, DEATH, INJURY, OR PROPERTY DAMAGE WILL BE PREVENTED.
- D. ALWAYS KEEP AND CARRY YOUR PISTOL EMPTY, WITH THE HAMMER FORWARD EXCEPT WHEN YOU INTEND TO SHOOT. THIS MEANS YOUR PISTOL CANNOT BE FIRED WHEN YOU DO NOT MEAN TO FIRE IT.
- E. NEVER PLACE OR ALLOW THE HAMMER TO REMAIN IN THE HALF-COCK NOTCH. THIS IS NOT A SAFE POSITION IN WHICH TO CARRY THE PISTOL. ANY EFFORT TO ENGAGE THE HAMMER IN THE HALF-COCK NOTCH MAY RESULT IN THE HAMMER HANGING ON THE LIP OF THE HALF-COCK NOTCH. THIS IS EXTREMELY DANGEROUS. WITH THE HAMMER IN THIS CONDITION, IT COULD FALL FORWARD AND FIRE THE PISTOL, THEREBY RISKING DEATH, INJURY, OR PROPERTY DAMAGE.
- F. NEVER DRINK ALCOHOLIC BEVERAGES OR TAKE DRUGS BEFORE OR DURING SHOOTING. YOUR VISION AND JUDGMENT COULD BE SERIOUSLY IMPAIRED MAKING YOUR GUN HANDLING UNSAFE TO YOURSELF AND OTHERS.
- G. ALWAYS GET A DOCTOR'S ADVICE IF YOU ARE TAKING MEDICATION, ASSURING THAT YOU ARE FIT TO SHOOT AND HANDLE YOUR FIREARM SAFELY.
- H. BEFORE YOU BEGIN ANY TARGET PRACTICE, BE SURE YOUR BACKSTOP IS ADEQUATE TO STOP AND CONTAIN BULLETS, TO PREVENT HITTING ANYTHING OUTSIDE THE SHOOTING AREA.
- I. ALWAYS HAVE A KNOWLEDGEABLE AND RESPONSIBLE PERSON IN CHARGE OF A GROUP WHEN FIRING ON A RANGE. OBEY HIS COMMANDS TO INSURE SAFETY CONTROL AND DISCIPLINE, REDUCING THE POSSIBILITY OF ACCIDENTS.
- J. ALWAYS WEAR (AND ENCOURAGE OTHERS NEAR YOU TO WEAR) EAR PROTECTION WHEN SHOOTING, ESPECIALLY ON A RANGE. IF YOU DO NOT WEAR EAR PROTECTION, THE NOISE FROM YOUR PISTOL, AND OTHER GUNS CLOSE TO YOU, CAN LEAVE A RINGING IN YOUR EARS FOR A PERIOD OF TIME AFTER SHOOTING. THE AGGREGATE LONG-TERM EFFECT CAN BE PERMANENT HEARING LOSS.
- K. ALWAYS WEAR PROTECTIVE SHOOTING GLASSES FOR PROTECTION OF YOUR EYES.
- L. ALWAYS BE SURE YOUR PISTOL IS CLEAN AND CLEAR OF OBSTRUCTIONS. GIVE SPECIAL ATTENTION TO THE ACTION, CHAMBER AND BARREL BORE. CLEAN YOUR PISTOL IMMEDIATELY IF YOU FIND IT IS FOULED SO THAT IT WILL OPERATE PROPERLY AND SAFELY.
- M. USE ONLY CLEAN, DRY, ORIGINAL HIGH QUALITY, COMMERCIALY MANUFACTURED AMMUNITION IN GOOD CONDITION, AND WHICH IS APPROPRIATE TO THE CALIBER FOR WHICH YOUR PISTOL IS PRESENTLY EQUIPPED TO FIRE. GUN AND AMMUNITION MANUFACTURERS DESIGN THEIR PRODUCTS WITHIN EXACTING ENGINEERING SAFETY LIMITS. HANDLOADS ARE SOMETIMES OUTSIDE THOSE LIMITS AND CAN BE UNSAFE.



- N. CARRY YOUR PISTOL EMPTY AND OPEN WHILE ON A RANGE UNTIL YOU ARE PREPARING TO FIRE. KEEP YOUR GUN POINTED TOWARDS THE BACKSTOP WHEN LOADING, FIRING AND UNLOADING. THIS ELIMINATES THE RISK OF DEATH, INJURY OR PROPERTY DAMAGE.
- O. YOU SHOULD ALWAYS KEEP CLEAR AND KEEP OTHERS CLEAR OF THE EJECTION PORT. SPENT CARTRIDGES ARE EJECTED WITH SUFFICIENT FORCE TO CAUSE INJURY. THE EJECTION PORT MUST BE UNBLOCKED BY YOUR HAND TO INSURE SAFE EJECTION OF LIVE ROUNDS. DO NOT PUT YOUR FINGERS IN THE EJECTION PORT; THEY CAN BE BURNED BY HOT METAL OR INJURED BY THE SLIDE MOVING FORWARD.
- P. NEVER SQUEEZE THE TRIGGER OR PUT YOUR FINGER INSIDE THE TRIGGER GUARD UNLESS YOU ARE AIMING AT A TARGET AND READY TO SHOOT. THIS PREVENTS FIRING YOUR PISTOL WHEN IT IS POINTED IN AN UNSAFE DIRECTION.
- Q. BE ABSOLUTELY SURE OF YOUR TARGET AND WHAT IS BEHIND IT BEFORE YOU SQUEEZE THE TRIGGER. IF IN DOUBT, DO NOT SHOOT! A SLUG CAN TRAVEL THROUGH OR PAST YOUR TARGET UP TO 1½ MILES OR MORE. (When shooting, greater accuracy is achieved by "squeezing" the trigger instead of "pulling" or "jerking" it.)
- R. IF YOUR PISTOL FAILS TO FIRE, CONTINUE HOLDING IT POINTED TOWARDS THE TARGET OR A SAFE OPEN AREA AND WAIT FOR 30 SECONDS. IF A HANG-FIRE (slow ignition) HAS OCCURRED, THE ROUND SHOULD FIRE WITHIN THAT AMOUNT OF TIME. IF IT DOES NOT FIRE, REMOVE THE MAGAZINE, EJECT THE ROUND AND EXAMINE ITS PRIMER. IF THE FIRING PIN INDENTATION ON THE PRIMER IS LIGHT, OFF CENTER, OR NON-EXISTENT, HAVE YOUR PISTOL EXAMINED BY A QUALIFIED GUNSMITH. IF THE FIRING PIN INDENTATION ON THE PRIMER LOOKS NORMAL (when compared with similar rounds previously fired) YOU CAN ASSUME IT IS FAULTY AMMUNITION. SEPARATE THE MISFIRED ROUND FROM OTHER LIVE AMMUNITION AND THE EMPTY CASINGS, RELOAD AND CONTINUE FIRING.
- Note: Dispose of misfired rounds in accordance with ammunition manufacturer's instructions.
- S. NEVER CONTINUE USING YOUR PISTOL IF IT FAILS TO FUNCTION PROPERLY, AND DO NOT FORCE A JAMMED ACTION. THIS MAY CAUSE A ROUND TO EXPLODE, CAUSING POSSIBLE DEATH, INJURY, OR PROPERTY DAMAGE.
- T. NEVER LEAVE YOUR PISTOL COCKED READY TO FIRE AS THIS CONDITION IS EXTREMELY DANGEROUS, AND THE PISTOL COULD EASILY BE ACCIDENTLY DISCHARGED, CAUSING DEATH, INJURY, OR PROPERTY DAMAGE.
- U. NEVER LEAVE A LOADED PISTOL LYING AROUND. SOMEONE, ESPECIALLY A CHILD, MAY FIRE IT AND CAUSE DEATH, INJURY, OR PROPERTY DAMAGE.
- V. DO NOT PARTICIPATE IN "HORSEPLAY" WHILE HOLDING YOUR PISTOL AS IT MAY BE DISCHARGED ACCIDENTALLY.
- W. DO NOT SHOOT AT HARD SURFACES, SUCH AS ROCKS, OR AT A LIQUID SURFACE, SUCH AS WATER. A SLUG MAY RICOCHET AND TRAVEL IN ANY DIRECTION TO HIT YOU, OR AN OBJECT YOU CANNOT SEE, CAUSING DEATH, INJURY, OR PROPERTY DAMAGE.
- X. NEVER, CLIMB, WALK OR FOLLOW SOMEONE WITH YOUR PISTOL COCKED AND READY TO FIRE, WITH IT OUT OF ITS HOLSTER, OR WITH THE HAMMER IN ANY POSITION OTHER THAN FORWARD ON AN EMPTY CHAMBER. THIS HELPS ELIMINATE THE CHANCE OF DISCHARGING YOUR GUN ACCIDENTALLY. WHEN HUNTING, HOLD YOUR GUN SO THAT YOU ARE ALWAYS IN CONTROL OF THE DIRECTION OF THE MUZZLE.
- Y. NEVER FIRE YOUR PISTOL NEAR AN ANIMAL UNLESS IT HAS BEEN TRAINED TO TOLERATE THE NOISE. THE ANIMAL'S STARTLED REACTION COULD INJURE IT OR CAUSE AN ACCIDENT.
- Z. BEFORE CLEANING, STORING OR TRAVELING WITH YOUR PISTOL, CHECK TO BE SURE IT IS NOT LOADED. THE MAGAZINE SHOULD BE REMOVED WITH THE SLIDE LATCHED OPEN BEFORE LAYING IT DOWN, OR BEFORE HANDING IT TO ANOTHER PERSON, SO THAT IT CANNOT BE FIRED WHEN IT IS UNSAFE TO DO SO.
- AA. STORE YOUR FIREARM AND AMMUNITION IN SEPARATE, LOCKED LOCATIONS OUT OF THE REACH AND SIGHT OF CHILDREN. THIS REDUCES THE RISK OF THE AMMUNITION AND THE PISTOL BEING EASILY AVAILABLE FOR LOADING AND FIRING.
- BB. TEACH CHILDREN TO RESPECT FIREARMS AND THE DANGER ASSOCIATED WITH THEM. IF YOU TEACH YOUR CHILDREN TO SHOOT, TEACH THEM TO TREAT AND USE THE FIREARM PROPERLY AND ALWAYS UNDER CLOSE SUPERVISION. STRESS SAFETY ALWAYS SO THAT THEY WILL NOT FIRE THE PISTOL WHEN IT IS UNSAFE TO DO SO.

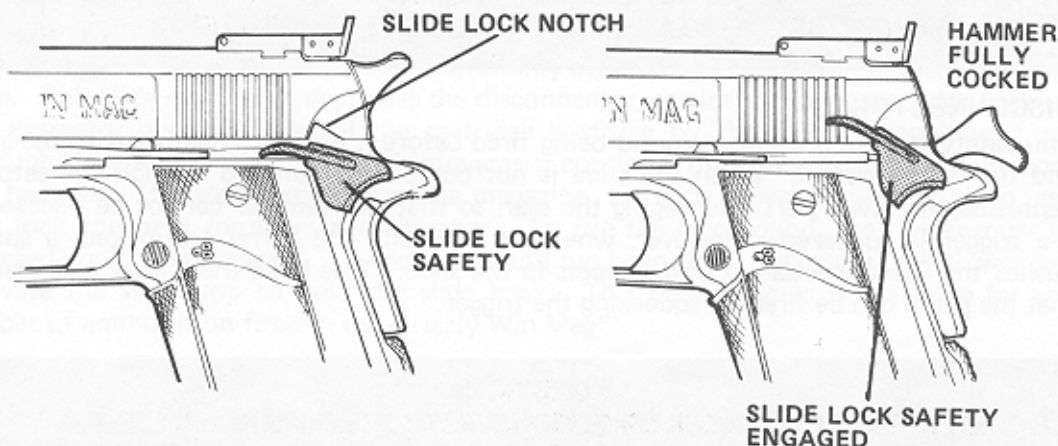


## SAFETY FEATURES

The Grizzly Win Mag™ semi-automatic pistol utilizes several positive safety features which, if properly used, can minimize the danger of accidental discharge. These features are described below.

### SLIDE LOCK SAFETY:

The Slide Lock Safety is located on the left of the pistol just below the rear of the slide. With the hammer fully cocked and the Slide Lock Safety applied, the upper part of the Slide Lock Safety engages the slide lock notch to prevent rearward movement of the slide, while an internal cam surface engages the sear to prevent forward hammer movement when the trigger is squeezed. This safety feature can be engaged only when the slide is completely forward and the hammer is in the fully cocked position. (See the illustration below.)

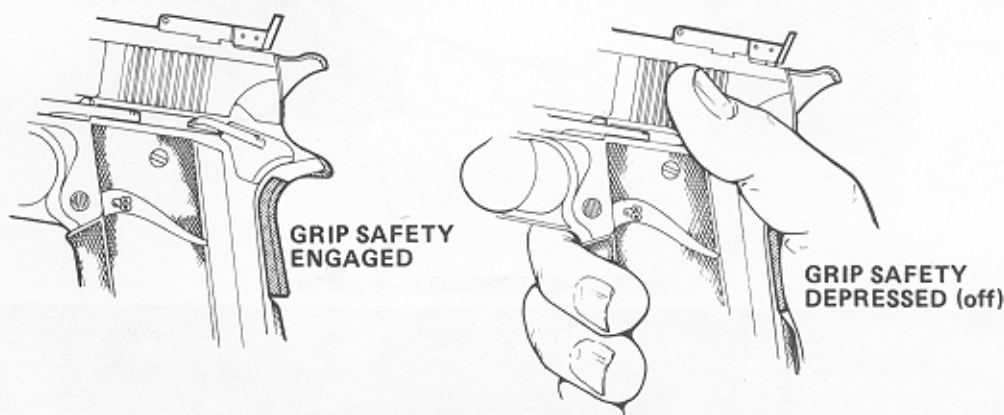


Illust. No. 2— SLIDE LOCK SAFETY

To engage the Slide Lock Safety, point the pistol in a safe direction and, without touching the trigger, pull the slide fully to the rear and let it return sharply forward, leaving the hammer in the fully cocked position. Push the Slide Lock Safety up until it fully engages in the slide lock notch.

### GRIP SAFETY:

The Grip Safety is located on the upper rear part of the receiver (see illustration below). The Grip Safety is applied automatically unless the pistol grip is firmly and properly held in your hand. It is engaged automatically by spring action to prevent the trigger from moving back. The front of the Grip Safety (inside the frame of the pistol) contacts the rear of the trigger to prevent it from moving back. When the pistol is gripped properly, the Grip Safety is rotated out of contact with the rear of the trigger, allowing it to move back.



Illust. No. 3— GRIP SAFETY

### **HALF COCK NOTCH IN HAMMER:**

The Half Cock Notch is a fail-safe device which automatically engages the sear in the unlikely event of primary sear notch failure. This is to prevent the hammer from falling fully forward unintentionally and to prevent uncontrolled automatic discharge. It also prevents the hammer from striking the firing pin if your hand slips from the slide while cocking the pistol IF the hammer has been depressed beyond the Half Cock Notch. This safety feature is NOT meant to be engaged by hand.

#### **CAUTION:**

**NEVER PLACE OR ALLOW THE HAMMER TO REMAIN IN THE HALF COCK NOTCH. THIS IS NOT A SAFE POSITION IN WHICH TO CARRY THE PISTOL. ANY EFFORT TO ENGAGE THE HAMMER IN THE HALF COCK NOTCH MAY RESULT IN THE HAMMER HANGING ON THE LIP OF THE HALF COCK NOTCH. THIS IS EXTREMELY DANGEROUS. WITH THE HAMMER IN THIS CONDITION, IT COULD FALL FORWARD AND FIRE THE PISTOL, THEREBY RISKING DEATH, INJURY OR PROPERTY DAMAGE.**

### **DISCONNECTOR:**

This safety feature prevents a round being fired before it is in the chamber with the slide and the barrel locked. When the slide is not completely forward the Disconnector is depressed, its lower part disengaging the sear, so that the hammer cannot be released if the trigger is squeezed. However, when the slide and the barrel are locked, a spring pushes the Disconnector up into a recess in the slide. This links the trigger and sear so that the pistol can be fired by squeezing the trigger.

#### **CAUTION:**

**DO NOT ATTEMPT TO CHECK OR DEMONSTRATE THE DISCONNECTOR FUNCTION WITH A LOADED PISTOL. PUSHING ON THE MUZZLE OF THE GUN WITH YOUR HAND OR ANY PART OF THE BODY IS EXTREMELY DANGEROUS AND COULD RESULT IN ACCIDENTALLY FIRING THE GUN, CAUSING DEATH, INJURY, OR PROPERTY DAMAGE.**

### **INERTIA FIRING PIN:**

The firing pin is shorter than its housing and is held back by a spring and cannot extend through the face of the slide unless the force of the spring and inertia of the pin is overcome by the force of a blow. This will happen when the hammer falls normally OR could occur by a blow on the muzzle or front of the gun. See the WARNING at the beginning of the Safety Instructions.

# Functioning:

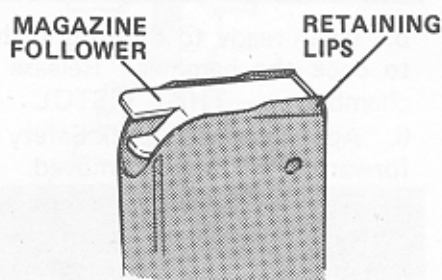
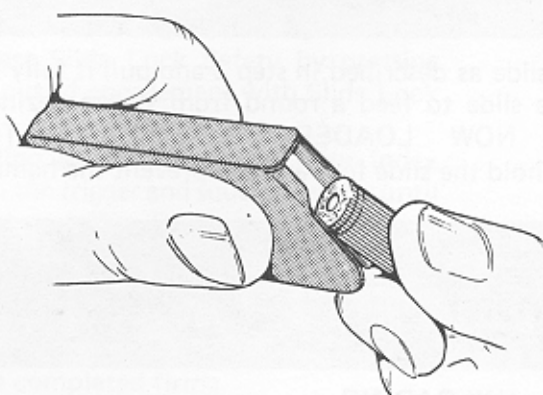
The L.A.R. Manufacturing, Inc. Grizzly Win Mag™ Pistol is prepared to fire by inserting a loaded magazine into the pistol, pulling the slide back to cock the hammer, and releasing the slide to move forward and feed a round from the magazine into the chamber. This final forward slide movement locks the barrel and the slide together and deactivates the disconnector. When the pistol stock is grasped, the grip safety is depressed so that the trigger can now be squeezed. By squeezing the trigger, the sear is disengaged from the hammer which pivots forward under the force of the mainspring to strike the firing pin. The firing pin is driven forward with sufficient force to strike and ignite the primer in the base of the cartridge, and it in turn ignites the main powder charge, which, in burning, rapidly produces extremely high gas pressure to drive the bullet down the barrel. Rifling grooves in the barrel give a stabilizing spin to the projectile so that it travels more accurately.

The pressure of the gas on the slide breech face pushes the slide and barrel rearward. However, the slide unlocks from the barrel only after the gas pressure is reduced to a safe level. This slide movement depresses the disconnector, carries the spent cartridge back on the extractor until the base of the cartridge is struck by the ejector propelling it out through the ejection port. This slide movement continues under momentum to fully cock the hammer. If a round remains in the magazine, the slide moves forward to again feed and lock the next round in the chamber. To fire the next round, the trigger must be released and squeezed again. If the last round has been fired, the magazine follower will activate the slide stop to hold the slide back. This basic process is the same for any caliber of ammunition fired in the Grizzly Win Mag™.

## LOADING

### Loading The Magazine:

1. **CAUTION: READ THE SECTION OF SAFETY INSTRUCTION COMPLETELY ON PAGES 5 TO 8.**
2. Use only ammunition recommended (see page 1) for your pistol and the caliber that corresponds with the magazine you are loading.
3. With the open end up, hold the magazine in one hand as illustrated below. Place a round on the magazine follower with the base just forward of the magazine's retaining lips. Press the round down and back until the base of the round touches the rear flat edge of the magazine. Place the next round on top of the previous round and press down and back. Repeat this process until the magazine is fully loaded.



Illust. No. 4— LOADING MAGAZINE

**CAUTION:**  
TO REDUCE THE RISK OF UNINTENTIONAL DISCHARGE, LOAD LIVE AMMUNITION INTO THE PISTOL ONLY WHEN YOU ARE READY TO SHOOT.

### Loading The Pistol:

**1. CAUTION: READ THE SECTION OF SAFETY INSTRUCTIONS COMPLETELY ON PAGES 5 TO 8. KEEP THE PISTOL POINTED IN A SAFE DIRECTION AND DO NOT TOUCH THE TRIGGER.**

2. Remove the empty magazine from the pistol (after placing your hand under the magazine well to prevent the magazine from falling) by pressing the magazine catch (located on the left of the pistol behind the trigger guard) to release and eject the magazine from the magazine well. (See the illustration at the right.)

3. While holding the pistol by the stock with one hand, and keeping the other hand clear of the ejection port, grasp the serrated finger grips of both sides of the slide, pull back slightly and look into the chamber to **MAKE SURE IT IS EMPTY**. If it is not, continue to pull the slide back until the round in the chamber is ejected. Allow the slide to return forward. If slide was pulled fully back, release the cocked hammer by squeezing trigger **AFTER MAKING SURE THE CHAMBER IS EMPTY**.

4. Insert the loaded magazine into the magazine well with the bullets pointing forward. Push the magazine fully upward until you hear the magazine catch "click", locking it in place.

**NOTE:** Do not hit or strike the base of the magazine to shove it into place. Just push it firmly up into the pistol. Excessive force can damage the magazine and/or injure your hand.

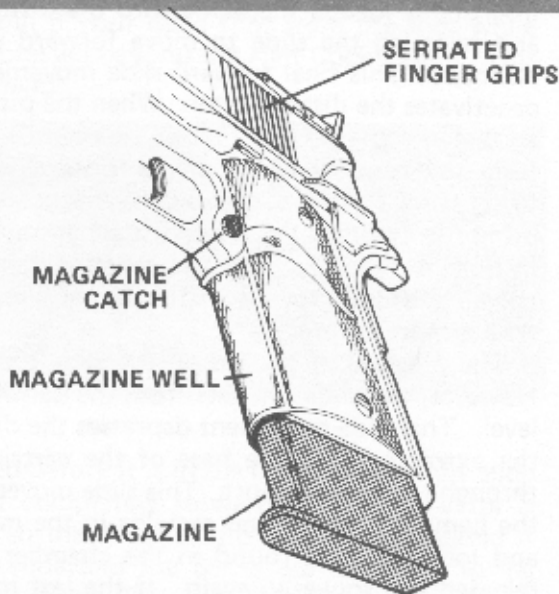
**CAUTION:** The safest way to carry your pistol is with an empty chamber and empty magazine. If you wish to carry the pistol with a loaded magazine inserted, (such as its current condition in the loading sequence) it is recommended that you keep the chamber empty, the slide forward, and the hammer down.

**WARNING: WHEN A LIVE ROUND IS IN THE CHAMBER, THIS PISTOL MAY DISCHARGE ACCIDENTALLY IF IT IS DROPPED OR RECEIVES A BLOW. (A POSSIBILITY REGARDLESS OF THE POSITION OF THE HAMMER OR OF ANY OF THE VARIOUS SAFETY DEVICES.) DO NOT PUT A ROUND IN THE CHAMBER UNTIL YOU ARE READY TO SHOOT. CLEAR THE PISTOL IMMEDIATELY AFTER SHOOTING.**

5. When ready to shoot, grip the slide as described in step 3 and pull it fully to the rear to cock the hammer. Release the slide to feed a round from the magazine into the chamber. **THE PISTOL IS NOW LOADED AND READY TO FIRE.**

6. Apply the Slide Lock Safety to hold the slide forward and prevent the hammer falling forward if the trigger is moved.

**CAUTION: NEVER LEAVE THE PISTOL COCKED AND READY TO FIRE WITHOUT THE SLIDE LOCK SAFETY APPLIED, SINCE IT IS READY TO FIRE IN THIS STATE AND IS EXTREMELY DANGEROUS! THE PISTOL CAN EASILY BE FIRED ACCIDENTALLY CAUSING DEATH, INJURY, OR DAMAGE TO PROPERTY.**



Illust. No. 5— MAGAZINE & MAGAZINE WELL

### UNLOADING

#### Unloading The Pistol:

**CAUTION: REMEMBER TO UNLOAD THE PISTOL IMMEDIATELY AFTER USE AND PRIOR TO CLEANING AND STORAGE TO MINIMIZE THE RISK OF ACCIDENTAL DISCHARGE.**



1. Be sure you are familiar with the Safety Instructions, pages 5 to 8 . ALWAYS POINT THE PISTOL IN A SAFE DIRECTION. DO NOT TOUCH THE TRIGGER AND ALWAYS KEEP YOUR HANDS AWAY FROM THE MUZZLE AND EJECTION PORT.
  2. Place your hand under the magazine to prevent it falling, and press the magazine catch to release and eject the magazine into your hand.
- NOTE:** If the slide is completely back, steps 3 and 4 do not apply.
3. With right-hand thumb press the Slide Lock Safety down out of engagement with slide.
  4. Grasp the serrated finger grips and pull the slide sharply rearward to extract and eject a round from the chamber. (If magazine is emptied when firing, the slide would already be held to the rear.)
  5. **CAUTION: LOOK IN THE CHAMBER TO MAKE SURE IT IS EMPTY AND THEN VERIFY THAT THE MAGAZINE HAS BEEN REMOVED.**
  6. Let the slide return forward on the empty chamber and squeeze the trigger to allow the hammer to fall forward. (If slide is held to the rear by the slide stop, pull the slide back slightly, then release it.)
  7. Remove any remaining live rounds by sliding them forward out of the magazine.
  8. Collect the live ammunition for safe storage and the spent cartridge cases for disposal.

## FIRING THE PISTOL

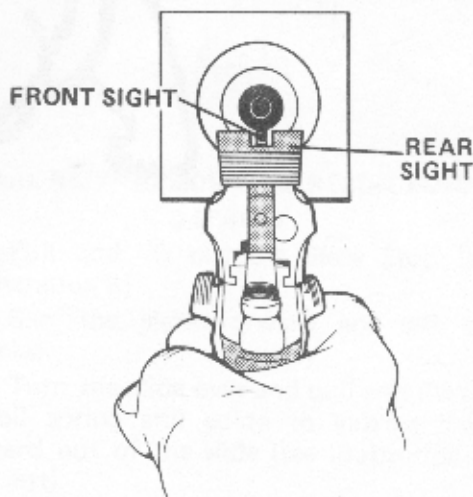
Before firing your Grizzly Win Mag™, practice (with your pistol UNLOADED) your stance, aim, rhythm and breathing for steady aim. You should also practice firing the pistol on a range before going hunting or using it for any other type of shooting.

### CAUTIONS:

1. ALWAYS WEAR (AND ENCOURAGE OTHERS NEAR YOU TO WEAR) EAR PROTECTION WHEN SHOOTING, ESPECIALLY ON A RANGE. WITHOUT EAR PROTECTION, THE NOISE FROM YOUR GUN, AND OTHERS CLOSE TO YOU, CAN LEAVE A "RINGING" IN YOUR EARS FOR SOME TIME AFTER FIRING. THE CUMULATIVE LONG-TERM EFFECT COULD BE PERMANENT HEARING LOSS.
2. ALWAYS WEAR PROTECTIVE SHOOTING GLASSES FOR EYE PROTECTION.

### To Fire:

1. Be sure you are familiar with Safety Instructions, pages 5 to 8. ALWAYS POINT THE PISTOL IN A SAFE DIRECTION.
2. Load your pistol as described above.
3. Grasp the pistol by the stock and, with index finger resting along the outside of the trigger guard, take aim. (Align the target with front and rear sights. See figure right.)
4. Release Slide Lock Safety by pressing it down out of engagement with Slide Lock Notch.
5. Holding steady aim, place your index finger on the trigger and squeeze gently until the hammer falls. Don't jerk the trigger, since this will disturb your aim, spoiling your accuracy. To fire any further rounds, it is only necessary to release the trigger and squeeze it again after every shot until you have completed firing.
6. **CAUTION: THIS IS A SEMI-AUTOMATIC PISTOL AND IS IMMEDIATELY LOADED AND READY TO FIRE AGAIN AFTER EACH SHOT UNTIL MAGAZINE IS EMPTY.**
7. Release the trigger, remove your index finger from the trigger, and apply the Slide Lock Safety, pushing it up into the Slide Lock Notch. (However, if you have fired the last round from the magazine, the slide will stay back so that the Slide Lock Safety cannot be applied.)



Illust. No. 6— AIMING

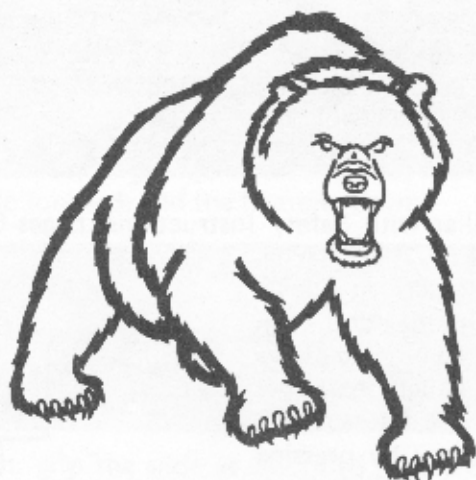
**CAUTION:** IF YOUR PISTOL FAILS TO FIRE, CONTINUE HOLDING IT POINTED TOWARDS THE TARGET OR SAFE OPEN AREA AND WAIT 30 SECONDS. IF A HANGFIRE (slow ignition) HAS OCCURED, THE ROUND WILL FIRE WITHIN 30 SECONDS. IF THE ROUND DOESN'T FIRE, REMOVE THE MAGAZINE, EJECT THE ROUND AND EXAMINE ITS PRIMER. IF THE FIRING PIN INDENT ON THE PRIMER IS LIGHT, OFF CENTER, OR NON-EXISTENT, HAVE YOUR GUN EXAMINED BY A QUALIFIED GUNSMITH. IF THE FIRING PIN INDENT ON THE PRIMER APPEARS NORMAL (when compared with similar previously fired rounds) ASSUME FAULTY AMMUNITION. SEPARATE MISFIRED ROUNDS FROM OTHER LIVE AMMUNITION AND EMPTY CASES. RELOAD AND CONTINUE FIRING.

**Note:** Dispose of misfired rounds by following the ammunition manufacturer's instructions.

**8. CAUTION:** KEEPING PISTOL POINTING IN A SAFE DIRECTION, unload as previously described.

**NOTE:** If you cock your pistol but do not fire it, apply the Slide Lock Safety until you are prepared to fire. If you lose the opportunity to fire, unload your pistol as previously described. Remember, if a live round is in the chamber there is always a risk of accidental discharge.

**CAUTION: NEVER LEAVE THE GUN COCKED AND READY TO FIRE. THIS "READY TO FIRE" CONDITION IS EXTREMELY DANGEROUS, AND THE GUN COULD EASILY BE DISCHARGED ACCIDENTALLY, CAUSING DEATH, INJURY, OR DAMAGE TO PROPERTY.**



# Maintenance:

As with any piece of fine equipment, keeping your Grizzly Win Mag™ pistol clean and well lubricated will prolong its useful life. This section is intended to assist you in the maintenance of your GWM, so that it will perform better, be safer and last longer.

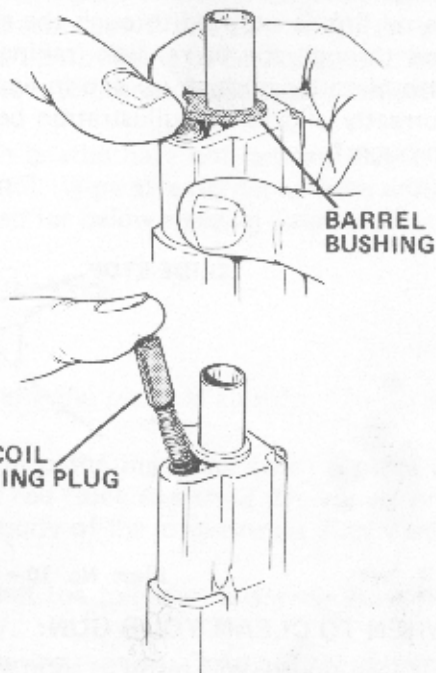
## CAUTIONS:

1. CHECK TO BE SURE THAT THE MAGAZINE IS REMOVED AND THE PISTOL IS UNLOADED BEFORE STRIPPING AND CLEANING, TO AVOID ACCIDENTAL FIRING.
2. WEAR SAFETY GLASSES IN CASE YOU LOSE CONTROL OF ONE OF THE SPRING-LOADED COMPONENTS WHICH COULD CAUSE EYE INJURY.

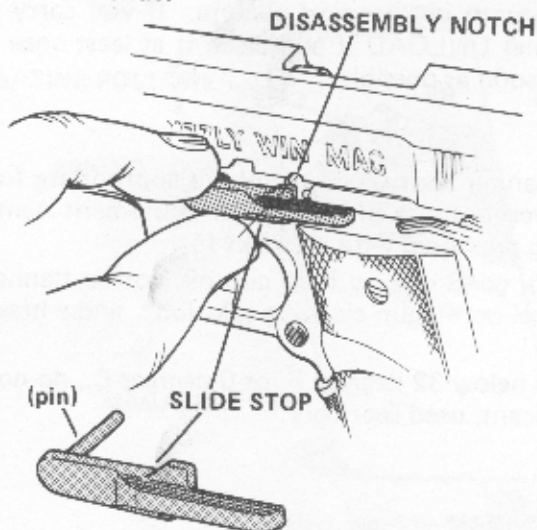
**Note:** Force is unnecessary and should never be used when stripping or assembling the pistol.

## STRIPPING FOR CLEANING

1. Make sure your pistol is unloaded and be sure you are familiar with the Safety Instructions, pages 5 to 8.
2. With muzzle pointed upward, rest your pistol on its "grip safety" and heel of butt on a table or bench.
3. Press down on the recoil spring plug (just below the muzzle) and at the same time turn the barrel bushing clockwise about a quarter of a turn (see illustration at right). This frees plug and recoil spring. Keeping pressure on the plug to prevent it from being ejected by the spring, allow the plug and spring to gradually slip out of the slide. (As illustrated.)
4. Turn the plug counterclockwise on the spring to fully remove the plug from the spring.
5. Cock the hammer by pulling fully back on the hammer spur.
6. Pull the slide to the rear until the lug on the Slide Stop is opposite Disassembly Notch (see Illustration 8). Push rounded end of the pin of the Slide Stop (on right hand side of receiver) inward and through the receiver to disengage the slide stop from the slide.

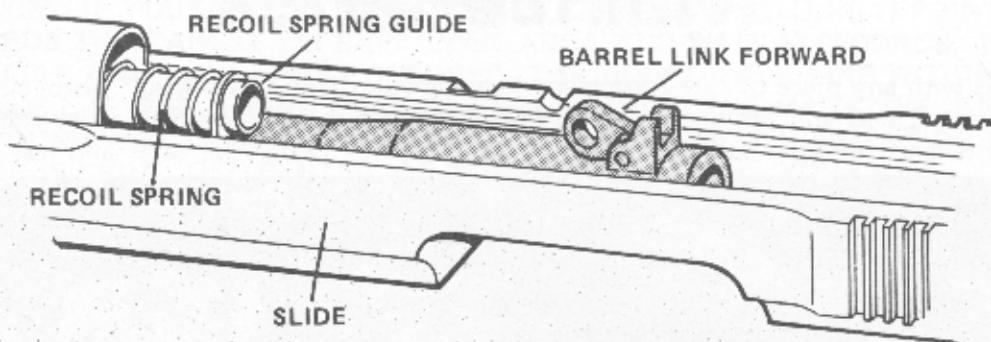


Illust. No. 7— REMOVAL OF RECOIL PLUG & SPRING



Illust. No. 8— REMOVING SLIDE STOP

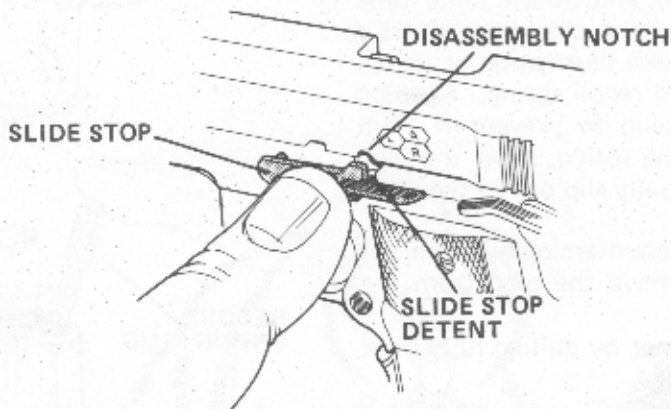
7. Pull and lift out the Slide Stop (see Illustration 8).
8. Slip the slide forward and off the receiver.
9. Turn the slide over and pull and lift the recoil spring and guide to extract them rearward out of the slide (see illustration to the left).
10. Turn the barrel bushing counter-clockwise and remove from the slide.
11. Push the barrel link forward and remove the barrel from the front of the slide (see Illustration 9).



Illust. No. 9— BARREL & SLIDE ASSEMBLY

**NOTE:** DO NOT STRIP YOUR PISTOL FURTHER THAN JUST DESCRIBED. IF ADDITIONAL MAINTENANCE IS REQUIRED, SEE THE SECTION ON "SERVICE AND REPAIRS" LATER IN THIS MANUAL.

**Note:** Assemble in reverse order 11 through 7. After the barrel and barrel bushing are reassembled into the slide, slip the slide onto the receiver (in upright position) until the barrel link is exposed through the slide stop hole. Insert the slide stop into the receiver and through the barrel link (taking care not to scratch the pistol). Snap the slide stop into place by pushing up and in against the slide stop detent with the disassembly notch correctly aligned (see illustration below). Then continue in reverse order instructions 5 through 1.



Illust. No. 10— INSTALLATION OF SLIDE STOP

#### WHEN TO CLEAN YOUR GUN:

Clean your GWM pistol as soon after firing as possible so that the job will be easier and there will be less of a chance for corrosion to begin. When your gun has not been fired, clean it periodically. It is suggested that in such cases you clean it once or twice a year in a moderate climate, or as often as once a month in a tropical climate. If you carry a loaded pistol (as part of your job, for example) UNLOAD it and clean it at least once a month. If you get your pistol wet, clean it as soon as possible.

#### HOW TO CLEAN YOUR GUN:

The following cleaning procedures for cleaning your GWM pistol are appropriate for use both after firing and periodically. However, those procedures or equipment items that are unnecessary for only periodic cleaning are noted with asterisks (\*).

**Materials:** Cleaning rod, a toothbrush (small), good quality light gun oil, cotton flannel patches (of a size that fit snugly into the barrel bore), gun cleaning solution\*, and a brass wire bristle bore cleaning brush\*.

**Note:** In conditions where the temperature is below 32 degrees F. or 0 degrees C., do not use oil for lubrication. Use instead a dry lubricant, used sparingly.



### Cleaning Procedure:

1. **CAUTION: MAKE SURE THAT THE PISTOL IS UNLOADED!**

2. Strip the gun for cleaning as described above. (Also known as "Field Stripping.")

**Note:** Avoid any contact by the cleaning rod against the muzzle, as any wear caused by the contact will reduce accuracy.

3. Attach a cotton flannel patch to the end of the cleaning rod, insert it in the pistol breech and pass the rod and patch down through the barrel. Repeat this step, changing the patch each time until it comes out clean.

4. Inspect the barrel visually. If it is clean proceed to step 7. If it remains dirty, continue to step 5.

\*5. (**Note:** This step should be necessary only after firing the gun.) Attach a brass wire bristle brush to the cleaning rod and dip the brush in a gun cleaning solution. Thoroughly scrub out the barrel, passing the brush through the barrel all the way in one direction before cleaning the barrel from the other end. If you try to change the direction of your pass with the brush in the barrel, the brush will stick.

6. Repeat steps 3 and 4 above.

7. Clean the rear face of the barrel and the face of the slide, using a small toothbrush.

8. Using gun oil, lightly moisten a flannel patch and pass it once through the barrel leaving a thin film of oil on the interior of the barrel. Leave this film of oil on this interior surface if the pistol is to be stored. If the gun is not going to be stored, or if you are removing it from storage for use, pass a dry flannel patch through the barrel, removing as much oil as possible.

9. Check the barrel to insure that flannel or brush bristles have not become lodged in any part of the barrel or in any other part of the pistol. Wipe all external surfaces with a flannel patch moistened with gun oil. (except as noted for below freezing weather.)

10. Reassemble the pistol as described above.

11. Remove any gun cleaning solution and oil from the stock.

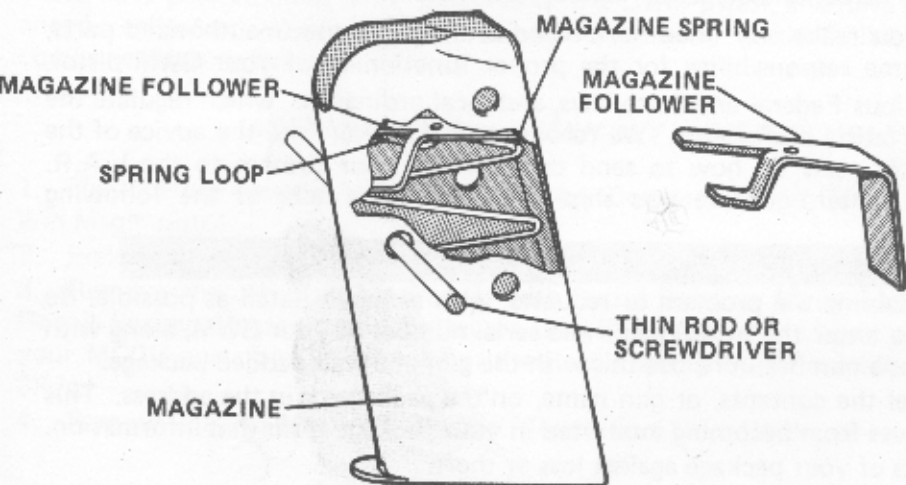
### CLEANING THE MAGAZINE:

It is a good idea to clean the magazine(s) each time the pistol is cleaned. To do so, observe the following steps:

1. Push the magazine follower and spring down into the magazine (with a piece of wood, pencil or pen) about two inches. Insert a thin rod (such as a small screwdriver or a nail) through the lower of the front two holes in the body of the magazine (as illustrated). This holds the spring under tension.

2. Turn the magazine over and tap it lightly to that the follower falls away from the spring. Lift out the follower from the magazine body.

3. Push down on the spring again to take up the spring tension. Take out the thin rod and allow (carefully) the spring to extend; take it completely out of the magazine body.



Illust. No. 11- MAGAZINE PARTS AND ASSEMBLY

4. Clean all three parts, taking care to clean off carbon deposits from the magazine follower and the lips of the magazine.
5. Wipe all parts with a lightly oiled cloth.
6. Reassemble by placing the spring inside the magazine body with the uppermost loop pointing forward. Compress the spring and put the thin rod in place as was done in step 1.
7. Place the follower on top of the spring (as illustrated). Take up the spring tension, remove the thin rod and carefully allow the spring to push up on the follower until it is returned to its original position.

## STORAGE

**CAUTION: ALWAYS UNLOAD YOUR GUN FOR STORAGE, ALWAYS STORE THE AMMUNITION SEPARATELY.** Store your GWM pistol and ammunition in separate locations and securely locked, out of reach and sight of children. This is especially important since some children do not understand the potential danger of guns and are naturally curious.

**Note:** Do not store the gun in an air-tight container. Do not seal or try to seal the barrel to keep out dust, since this makes the internal surfaces more likely to corrode.

## SERVICE AND REPAIRS

**NOTE:** Due to high recoil forces involved in the Grizzly Win Mag™ pistol, we have "Loc-Tite"\*-ed the grip screws, sight base holddown screws, and the trigger stop adjustment screw. We recommend that whenever those screws are disassembled and re-assembled, that they be re-"Loc-Tite"\*-ed.

If your GWM pistol should need repair or adjustment, (after MAKING SURE IT IS UNLOADED) Take it or send it to the L.A.R. Authorized Warranty Service Center, 4133 West Farm Road, West Jordan, Utah 84084.

For spare parts, seek advice from your Dealer, who should be able to give you current information on the best way to obtain genuine L.A.R. replacement parts. A complete illustration and parts list is shown on page 20 of this manual to assist in the identification of the part you may need. However, it is important to note that not all parts are available for sale. Those available parts should be installed by your dealer or the L.A.R. Authorized Service Center. When ordering parts, please supply us with the part name as listed on the Parts List, gun model name, caliber, serial number, and metal finish (blue or stainless steel).

**IMPORTANT:** If you make any unauthorized adjustments or use unauthorized parts, L.A.R. will not assume responsibility for the proper functioning of your GWM pistol.

**Note:** There are various Federal and State laws, and local ordinances, which regulate the transfer and transportation of firearms. We recommend that you take the advice of the Dealer in your area or state on how to send or transport your firearm to the L.A.R. Authorized Service Center. Before you ship your gun, take note of the following important points:

**1. CAUTION: MAKE SURE THAT THE GUN AND MAGAZINE ARE UNLOADED!**

2. Write a letter explaining the problem or requests, with as much detail as possible. Be sure to include in the letter the model name and serial number of your GWM, along with your address and phone number. Enclose this with the gun in a well-padded package.
3. Do not list or label the contents, or gun name, on the package or in the address. This prevents curious thieves from becoming interested in your package from that information.
4. Insure the contents of your package against loss or theft.
5. Do not send ammunition, accessories or presentation boxes.

\*TM of Loc-Tite, Inc.

# Multi-Caliber Conversions:

If you are in possession of a L.A.R. Manufacturing Multi-Caliber Conversion Unit (MCCU) for your Grizzly Win Mag™ pistol, CONGRATULATIONS! We are confident that this Conversion Unit will add to your shooting pleasure and versatility for thousands of rounds of ammunition if given but minimal care, cleaning and maintenance.

## OPERATION AND USE

**WARNING: THE GWM AND CONVERSION UNITS HAVE BEEN ENGINEERED, CALIBRATED AND MANUFACTURED TO BE USED ONLY WITH FACTORY-LOAD-ED, SAAMI-SPECIFICATION AMMUNITION. THE USE OF ANY OTHER AMMU-NITION, OR THE ALTERATION OR MODIFICATION OF ANY PART OF THE MCCU VOIDS AND/OR INVALIDATES ALL WARRANTIES, EXPRESSED OR IMPLIED.**

In order for a semi-automatic pistol to function reliably, all mechanical forces must be in balance. Since the weight of the recoiling parts is fixed, and since the length of a complete slide stroke is fixed, the recoil impulse available from a cartridge to operate the mechanism of your firearm must be sufficient to overcome these fixed resistances.

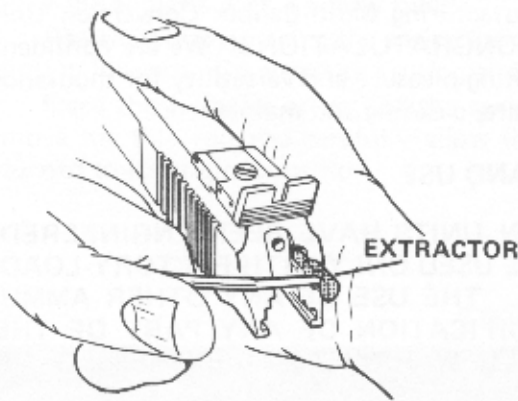
Our L.A.R. Multi-Caliber Conversion Units for the GWM pistol, \* allow your pistol to be interchangeably converted (by the user) to other sub-calibers in just a matter of minutes, with no alteration or modification to the slide or frame of the pistol. This means that, unlike other sub-caliber conversions which permanently alter the frame and/or slide, allows you to always retain the capability of using your firearm in its original caliber. This is accomplished without the additional expense of another slide, since the GWM slide is used with all the MCCU sub-calibers. As noted, this technology is patented and L.A.R. Manufacturing, Inc. is the exclusive supplier for this product.

As with most fine product improvements, the principles behind the operation of the L.A.R. MCCU are quite simple. For example, we use the Browning-type short recoil, locked breech system since it serves the purpose so well. However, we've incorporated a Multi-Caliber Extractor which is designed to spring in far enough to reliably capture and extract a cartridge rim of a "smaller" diameter, while being sufficiently flexible enough to spring out far enough to reliably capture and extract a cartridge rim of a "larger" diameter. We've also incorporated ejector designs that effectively shorten the slide stroke. These, in combination with carefully calibrated recoil springs of the proper force levels, combine to allow the fixed weight of the recoiling parts and the fixed length of the recoil stroke to accommodate cartridges with lower recoil impulses.

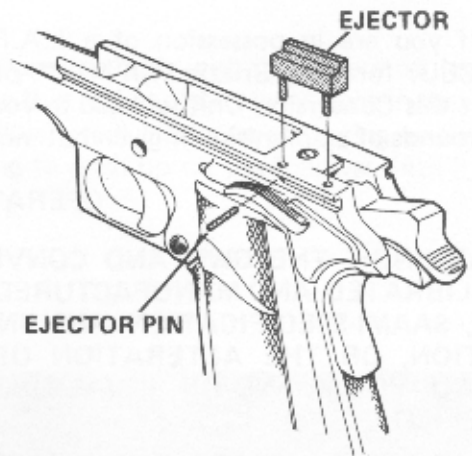
We have performed detailed analyses of the GWM pistol, and have dimensioned, toleranced, calibrated and manufactured our "Drop-In" Multi-Caliber Conversion Unit components to be fully compatible.

## INSTALLATION – ASSEMBLY – DISASSEMBLY

1. Place before you the L.A.R. Multi-Caliber Conversion Unit (MCCU) and your Grizzly Win Mag™ pistol.
2. Field strip your GWM pistol, as described on pages 13 and 14 of this manual.
3. Remove the .45 Magnum Barrel, with Barrel Bushing, Barrel Link, Barrel Link Pin, Recoil Spring, Magazine and Extractor (see Illustration 12). Place all of these parts in your MCCU parts box. (Holding out the Recoil Spring Plug, Recoil Spring Guide and the Slide.)
4. Remove the .45 Mag. Cal. Ejector (Illustration 13). (If the ejector or ejector pin in



Illust. No. 12— REMOVING EXTRACTOR



Illust. No. 13— EJECTOR & EJECTOR PIN

your pistol is difficult to remove, have your favorite gunsmith remove it, or send you gun to L.A.R. Manufacturing, Inc. for Conversion Unit installation. Once removed, it will, from then on, assemble and disassemble readily without tools.)

5. Install the supplied MCCU Ejector on the receiver (Illus. 13). (You need not re-install the ejector pin.) (Fitting may be necessary in only very rare cases.)

6. Install the MCCU Extractor in the slide and capture same with the firing pin stop. The tool used for installation and removal of the extractor is the hammer strut.

7. Install the Barrel Bushing on the MCCU Barrel, and re-assemble the pistol as described in the "Note:" on page 14. Test cycle, by hand, 3-5 times to insure that all the components assembled to this point fit freely and function normally.

**NOTE:** After the initial assembly of the L.A.R. MCCU to your GWM pistol, all of the above is simplified to the point that the conversion process becomes a simple process of field stripping with selective parts replacement.

8. Insert the appropriate MCCU magazine into the receiver.

9. Lightly lubricate the firearm (especially the newly installed MCCU components) with a light weight gun oil.

10. Remove and load the magazine, then continue the loading/firing process as with any caliber.

**Note:** After a little practice, the above conversion process can be accomplished in a couple of minutes.

#### PROBLEMS AND REMEDIES:

When all forces are in balance, your GWM and compatible Conversion Units will perform properly. Should your weapon not function properly, check for one (or a combination) of the following factors:

1— **FAULTY AMMUNITION:** i.e. — insufficient pressure, projectile seated too far out or too far in, case mouth dimension oversize, etc. Your Conversion Unit has been manufactured and live-fire tested to provide reliable functioning with SAAMI-standard, factory-loaded ammunition only. Use of ammunition other than the above may not provide reliable functioning and may be unsafe. This MCCU is NOT finicky about the type or kind of ammunition used. However, it must conform to SAAMI specifications. Some reloaded/remanufactured ammunition mics larger at the mouth of the case than at the reference dimension .200" forward of the rim. Obviously, this ammunition will not feed to the full depth of the chamber.

**REMEDY:** Use best-grade, factory ammunition.



2- TOO STRONG A RECOIL SPRING.

REMEDY: Use the one supplied.

3- TOO STRONG A MAINSPRING.

REMEDY: Use the one supplied.

4- MAGAZINE SPRING TOO STRONG. (Not very probable, but possible.)

REMEDY: Use the one supplied.

5- DIRTY GUN, DIRTY CHAMBER. (Dirt slows the cycle time, using some of the available energy to overcome that dirt, thereby reducing the amount of energy left to cycle the action.)

REMEDY: Keep your gun and all components clean. See the section on Cleaning on pages 14 to 16.

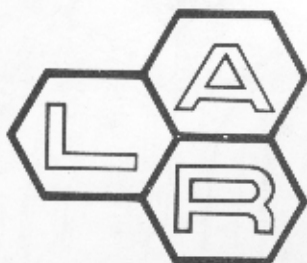
### VARIATIONS AND SERVICES

Since the needs of shooters vary, we offer Multi-Caliber Conversion Units in two types: The general purpose "Drop-In" unit, and the special purpose "Match-Grade" unit, which must be fitted to your gun. The user buys reliability, accuracy and interchangeability with the former, and better accuracy and precision with the latter. Should you desire greater accuracy than your gun presently produces, our "Match-Grade" MCCU, custom fitted to your GWM pistol by L.A.R. Manufacturing, Inc., or by your favorite gunsmith, may be desired. (For options see the separate Price List.)

At the L.A.R. Manufacturing, Inc., facilities we can provide complete installation and testing of either the Drop-In MCCU or the Match-Grade MCCU. We also can offer some specialized barrel lengths, customizations, etc. Please refer to the most current Price List for these services, their charges and for a full listing of currently-available calibers in Conversion Units for your Grizzly Win Mag™ pistol. (You may also be interested to know that Conversion Units in a wide variety of calibers is available for the standard .45 Cal. 1911-A1-type semi-automatic pistol.)

Should you have any problems installing your multi-caliber conversion units please feel free to contact L.A.R. Manufacturing at  
(801) 255-7106

Variations & Services



**L. A. R. MANUFACTURING, INC.**

4133 WEST FARM ROAD (8540 SOUTH)

WEST JORDAN, UTAH 84084

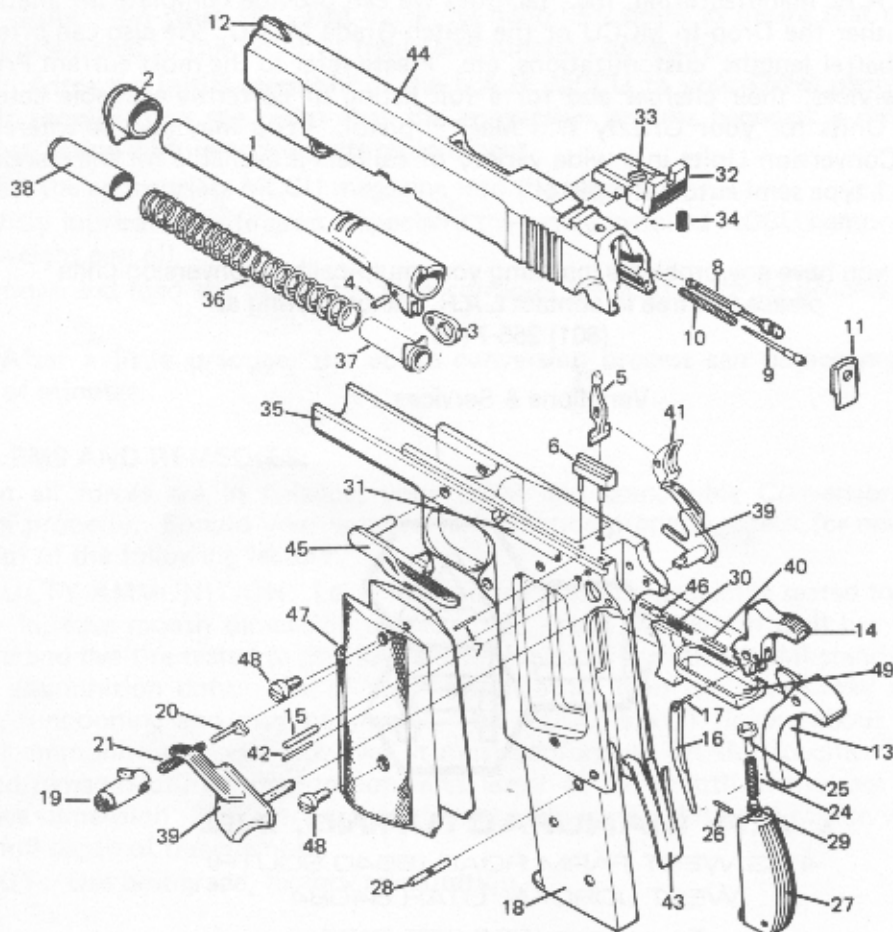
TELEPHONE (801) 255-7106

# Parts List & Illustration

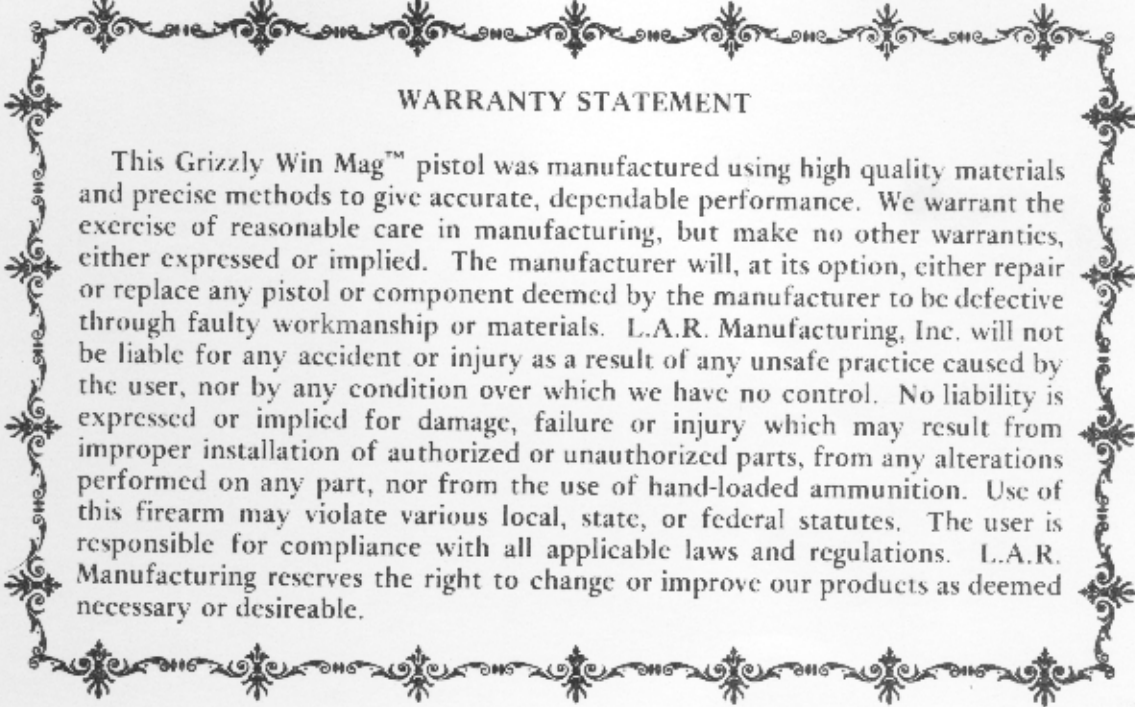
This is provided for identification of the names of parts of your GWM pistol for your own information. For adjustments, repairs or spare parts information see the section on Service and Repairs on page 16.

## DESCRIPTIONS

- |                       |                                      |                                 |
|-----------------------|--------------------------------------|---------------------------------|
| 1. Barrel             | 18. Magazine Assembly                | 33. Rear Sight Adjustment Screw |
| 2. Barrel Bushing     | 19. Magazine Catch                   | 34. Rear Sight Spring           |
| 3. Barrel Link        | 20. Magazine Catch Lock              | 35. Receiver                    |
| 4. Barrel Link Pin    | 21. Magazine Catch Spring            | 36. Recoil Spring               |
| 5. Disconnecter       | 22. Magazine Follower (not shown)    | 37. Recoil Spring Guide         |
| 6. Ejector            | 23. Magazine Spring (not shown)      | 38. Recoil Spring Plug          |
| 7. Ejector Pin        | 24. Main Spring                      | 39. Safety Lock (L & R)         |
| 8. Extractor          | 25. Main Spring Cap                  | 40. Safety Lock Plunger         |
| 9. Firing Pin         | 26. Main Spring Cap Pin              | 41. Sear                        |
| 10. Firing Pin Spring | 27. Main Spring Housing              | 42. Sear Pin                    |
| 11. Firing Pin Stop   | 28. Main Spring Housing Pin          | 43. Sear Spring                 |
| 12. Front Sight       | 29. Main Spring Housing Pin Retainer | 44. Slide                       |
| 13. Grip Safety       | 30. Plunger Spring                   | 45. Slide Stop                  |
| 14. Hammer            | 31. Plunger Tube                     | 46. Slide Stop Plunger          |
| 15. Hammer Pin        | 32. Rear Sight                       | 47. Stock Set                   |
| 16. Hammer Strut      |                                      | 48. Stock Screws (4)            |
| 17. Hammer Strut Pin  |                                      | 49. Trigger Assembly            |



Illust. No. 14— FULL PARTS BLOWUP



## WARRANTY STATEMENT

This Grizzly Win Mag™ pistol was manufactured using high quality materials and precise methods to give accurate, dependable performance. We warrant the exercise of reasonable care in manufacturing, but make no other warranties, either expressed or implied. The manufacturer will, at its option, either repair or replace any pistol or component deemed by the manufacturer to be defective through faulty workmanship or materials. L.A.R. Manufacturing, Inc. will not be liable for any accident or injury as a result of any unsafe practice caused by the user, nor by any condition over which we have no control. No liability is expressed or implied for damage, failure or injury which may result from improper installation of authorized or unauthorized parts, from any alterations performed on any part, nor from the use of hand-loaded ammunition. Use of this firearm may violate various local, state, or federal statutes. The user is responsible for compliance with all applicable laws and regulations. L.A.R. Manufacturing reserves the right to change or improve our products as deemed necessary or desirable.

**NOTE:** This instruction manual should remain with the GWM pistol and be transferred with it if there is a change of ownership.

**NOTE:** A copy of this page, or the information on it, should be filed in a safe place other than with this manual. If this instruction manual is lost or destroyed, you may get a replacement by writing to L.A.R. Manufacturing, Inc. at the address below. When making such a request, include the pistol's serial number, model and this manual's part number (found on the back cover).



**L. A. R. MANUFACTURING, INC.**

4133 WEST FARM ROAD (8540 SOUTH)  
WEST JORDAN, UTAH 84084

TELEPHONE (801) 255-7108

*Part #GWM-128*