

STAINLESS
STEEL

INSTRUCTION MANUAL FOR

12 GAUGE
2 3/4" chamber



RUGER® TRAP MODEL SINGLE BARREL TARGET SHOTGUN



**READ THE INSTRUCTIONS AND
WARNINGS IN THIS MANUAL CAREFULLY
BEFORE USING THIS FIREARM**

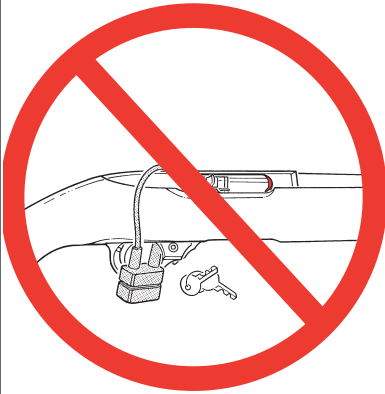
**For Product Service on This Model Please Call:
(603) 865-2442 (See p. 32)**

**STURM, RUGER & Company, Inc.
Southport, Connecticut 06490 U.S.A.**

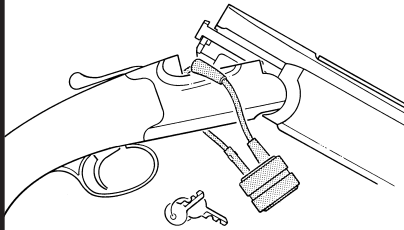
THIS INSTRUCTION MANUAL SHOULD ALWAYS ACCOMPANY THIS FIREARM AND BE
TRANSFERRED WITH IT UPON CHANGE OF OWNERSHIP, OR WHEN THE FIREARM IS LOANED OR
PRESENTED TO ANOTHER PERSON.



WARNING – LOCKING DEVICES



**DO NOT INSTALL
INSIDE TRIGGER GUARD**



**INSTALL LOCK
AS SHOWN HERE**

This firearm was originally sold with a key-operated locking device. While it can help provide secure storage for your **unloaded** firearm, any locking device can fail. All guns are designed to fire if they are loaded and the trigger is pulled. Therefore, **never install the locking device inside the trigger guard or in any way that it can possibly pull the trigger!** Do not leave the keys in the lock.

The ultimate responsibility for secure storage of any firearm must depend upon its owner and his or her individual circumstances.

Guns should be securely stored unloaded, in a secure location, separate from their ammunition.

See “Storage Warning”, page 25.

**NEVER INSTALL
LOCKING DEVICE
INSIDE TRIGGER GUARD**

FIREARMS SAFETY-YOUR RESPONSIBILITY

SAFETY MUST BE THE FIRST AND CONSTANT CONSIDERATION OF EVERY PERSON WHO HANDLES FIREARMS AND AMMUNITION.

This Instruction Manual is designed to assist you in learning how to use and care for your **RUGER® TRAP MODEL SHOTGUN** properly. Please contact us if you have any questions about it.

Only when you are certain you fully understand the Manual and can properly carry out its instructions should you practice loading, etc. with live ammunition. If you have any doubts about your ability to handle or use a particular type of gun safely, then you should seek supervised instruction. Such personalized instruction is often available from gun dealers, gun clubs or police departments. If none of these sources can help you, write to the National Rifle Association, 11250 Waples Mill Rd., Fairfax, VA 22030-7400. They will assist you.

The person possessing a gun has a full-time job. You cannot guess; you cannot forget. You must know how to use your firearm safely. **Do not use any firearm without having a complete understanding of its particular characteristics and safe use.** Remember: There is no such thing as a foolproof gun.

TABLE OF CONTENTS

| | Page |
|--|-----------|
| Mechanical Characteristics | 5 |
| Nomenclature | 8 |
| Ammunition | 9 |
| Steel Shot | 9 |
| Assembling the Shotgun | 11 |
| Installation of Screw-In Choke Inserts | 13 |
| Operation of the Shotgun | 14 |
| To Load and Fire | 15 |
| To Unload | 16 |
| To Extract and Eject a Chambered Shot Shell | 18 |
| To Remove a Bore Obstruction | 19 |
| To Clear a Malfunction ("Jam") | 20 |
| To Minimize Malfunctions ("Jams") | 21 |
| Disassembly Procedure | 22 |
| Reassembly | 23 |
| Care and Cleaning | 23 |
| Storage | 24 |
| Special Adjustments for Trap Model Shotgun | 26 |
| Target Trigger | 29 |
| Maintenance of Stainless Steel Components | 31 |
| Service and Parts Policy | 32 |
| Parts Drawing | 38 |
| The Basic Rules of Safe Firearms Handling | 39 |
| Warranty Information | 44 |

"RUGER" and the Ruger Logo are registered U.S. trademarks.



WARNINGS OF GREAT IMPORTANCE ARE FOUND ON THE FOLLOWING PAGES:

| | | | |
|-----------------|----|-------------------|----|
| Locking Devices | 3 | Bore Obstructions | 18 |
| Alterations | 5 | Malfunctions | 22 |
| Ammunition | 10 | Disassembly | 22 |
| Lead Exposure | 10 | Lubrication | 24 |
| Screw-In Chokes | 14 | Storage | 25 |
| Firing | 16 | Target Trigger | 29 |
| Unloading | 16 | Parts Purchasers | 33 |
| Handling | 17 | | |

OTHER CAUTIONS AND WARNINGS APPEAR THROUGHOUT THE MANUAL.

**FIREARMS ARE DANGEROUS WEAPONS—
READ THE INSTRUCTIONS AND WARNINGS
IN THIS MANUAL THOROUGHLY AND
CAREFULLY BEFORE USING.**



WARNING—ALTERATIONS



This product was designed to function properly in its original condition. Alterations can make it unsafe. Do not alter any part or add or substitute parts or accessories not made by Sturm, Ruger & Co. Inc.

DO NOT ALTER ANY GUN

GENERAL INFORMATION AND MECHANICAL CHARACTERISTICS

The **RUGER® TRAP MODEL** shotgun which you have selected is a single barrel, single shot, 12 gauge shotgun specifically designed solely for the clay target sport of trapshooting. As such, it has many specialized features and characteristics not found in other shotguns designed primarily for field shooting and hunting. **You must thoroughly familiarize yourself with its mechanical characteristics and safe handling procedures prior to ever taking it onto a trap field. It is strongly recommended that this shotgun *only* be used for trapshooting, due to its specialized mechanism and features.**

Specialized features demanded by target trapshooters and found in the **RUGER® TRAP MODEL** Shotgun include:

- A **target trigger**, adjustable for weight of pull (see p. 29).
- An **adjustable rib**, which can be set for individual shooters' stature, sight picture, stance, and other preferences (see p. 26).
- A **two-bead sighting system** located atop the adjustable rib (see p. 27).

- A wide, cut-checked *beavertail forend* for consistent front hand positioning.
- A *target-style pistol grip* of special shape and contour.
- An *adjustable buttstock comb*, to accommodate various facial configurations, stances, and hold-over for rising trap targets. It also is laterally adjustable for “cast off” and “cast on” (see p. 28).
- An *adjustable buttpad*, which can be set by the shooter for length of pull and “cant” (the angle of the buttstock from the center line of the stock to the left or right, as desired) (see p. 27).
- Since single barrel trap guns are never loaded or closed until immediately prior to a shooter calling “pull” to fire at a clay target (and are opened immediately after firing or if firing is delayed) trap guns generally have *no separate manual safety/barrel selector* (see p. 15). There is no possibility that the shooter will be unable to fire due to forgetting to correctly move the safety to the “fire” position for each shot during an extended target competition tournament.
- Another special feature of the Ruger Trap Model shotgun is its *straight grooved “controlled pattern” bore*. It prevents rotation of the wad and shot column while they move down the bore when fired. This minimizes shot dispersion and contributes to improved pattern density on targets at all ranges. The 34” long barrel is also “back-bored” with a long forcing cone, which contributes to lessening felt recoil and fatigue. This is especially important to trapshooters, who routinely fire at hundreds of clay targets during a match. It accepts the latest screw-in Ruger choke tubes, and is supplied with “full” and “modified” choke tubes for trapshooting (see pp. 13 - 14).

THE BARREL ASSEMBLY

The *barrel* is silver soldered to the monoblock at the chamber portion of the barrel. The *adjustable ventilated rib* is hinged at the rear and is securely clamped to two barrel bands soldered to the barrel. The barrel bands have a dovetail on top that the rib clamps are dovetailed into, allowing the rib to slide in these dovetails as the barrel heats up from shooting. The rib also features a two gold bead sighting system for alignment prior to shooting.

The *trunnions* (on which the barrels pivot) are mounted high, close to the centerline of the barrel, and are integral with the receiver.

In addition to trunnions, a massive *square lug* at the bottom rear of the monobloc locks into the thick bottom wall of the receiver to provide extra security for the barrel-to-frame lock-up.

Projecting from the rear end of the barrel assembly, one on either side, are two heavy, integral heat-treated *lugs* which are engaged by the locking bolt as it slides forward when the gun is closed. The locking bolt is, in effect, a wedge, due to the angle of the locking faces. These faces have more than adequate area and are hardened and precision-ground to resist wear.

The *automatic ejector* assembles to the monobloc simply, without retaining pins or screws. The *ejector sear* is pivoted on an integral stud in the forend iron and provides positive ejection to throw the empty fired shell casing from the chamber when the action is opened. Note that it does **not** eject unfired live cartridges, but merely extracts them partially from the chamber for manual removal (see “To Unload”, p. 16.)

THE STOCKS

The *buttstock* and *forearm* are made from first quality straight grain American walnut, fully seasoned, with deep-cut checkering of 18 lines to the inch. The specially shaped buttstock is fully adjustable for length of pull, comb height, cast-off, and cast-on. The forend is of wide “beavertail” target configuration. All wood surfaces are sealed with a satin weather-resistant finish.

Provision is made in the buttstock for the *through-bolt* system of attachment which is strong and simple. The rear ends of the tangs interlock with the wood and the forward end of the stock is tenoned into recesses in the receiver to provide maximum strength and resistance to splitting or loosening.

NOMENCLATURE - RUGER TRAP MODEL SHOTGUN

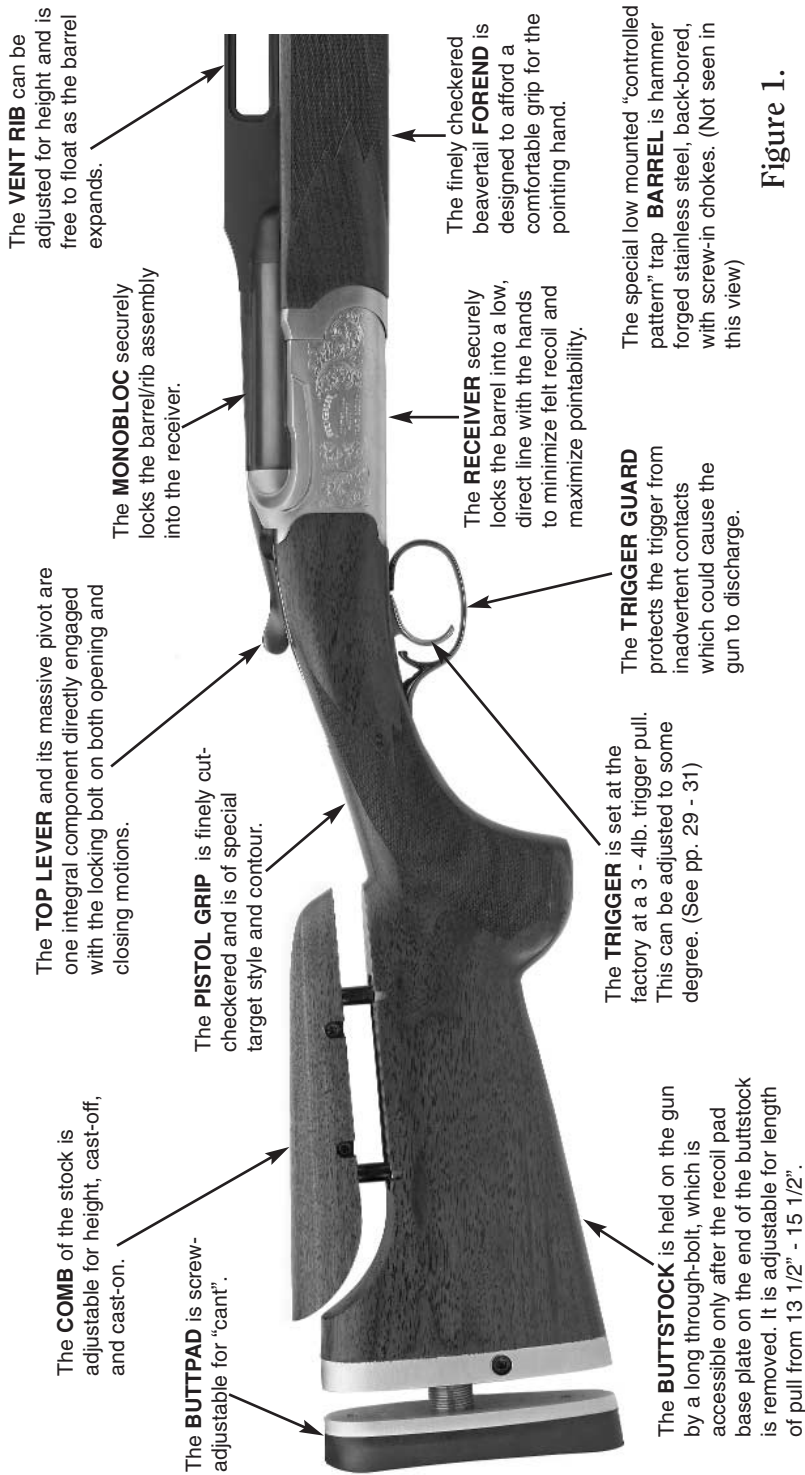


Figure 1.

OTHER FEATURES

The **RUGER® TRAP MODEL** shotgun has its receiver, the trigger, forend iron, and barrel made of stainless steel with an attractive brushed finish. The trigger guard, top lever, monobloc, and barrel components are of heat-treated chrome-molybdenum steel, polished overall and blued.

The top lever and its massive pivot are one integral component directly engaged with the locking bolt both on opening and closing motions. The lever and the locking bolt are driven to the closed position by the top lever spring which, through its strut, retains the top lever in the gun. The Ruger shotgun has been engineered to minimize the force required for barrel opening and cocking through a patented “easy opening” system.

AMMUNITION

The **RUGER® TRAP MODEL** Shotguns have 2 3/4” chambers and may be used with all standard commercially manufactured 12 gauge 2 3/4” shells. Do not attempt to use 3” or 3 1/2” shells, as they will not fit correctly into the chamber and could create excessive pressure if fired. Best results are usually obtained by using factory ammunition specifically designed as “trap loads” for this specialized form of clay target shooting. This gun has been tested with special proof test ammunition which conforms to U.S. industry practice. It is intended for use only with standard ammunition of the proper gauge, loaded to U.S. Industry standards. **Use of incorrect ammunition can destroy any gun and result in serious injury to the shooter or bystanders, (See “Ammunition Warning” and “Ammunition Notice,” p. 10).**




Shotgun cartridges are often called “shotgun shells” or “shotshells”, and these terms will be used interchangeably throughout this manual.

STEEL SHOT

All steel shot loads loaded to current U.S. industry specifications can be used in all currently manufactured Ruger shotguns equipped with screw-in chokes.

Steel shot generally patterns tighter than conventional lead shot loads. Modified choke tubes generally deliver “full choke” patterns when used with steel shot.

We do not recommend *any* of our shotguns for use with *reloads*, steel shot or otherwise, as we have no control over their components or loading procedures used (See “Ammunition Warning” and “Ammunition Notice,” p. 10).

| | | |
|---|--|-----------------------------|
|  | | WARNING – AMMUNITION |
|  | Death, serious injury, and damage can result from the use of wrong ammunition, bore obstructions, powder overloads, or incorrect cartridge components. <i>Always wear shooting glasses and hearing protectors.</i> | |
|  | IMPROPER AMMUNITION DESTROYS GUNS | |

AMMUNITION (CARTRIDGES) NOTICE

WE SPECIFICALLY DISCLAIM RESPONSIBILITY FOR ANY DAMAGE OR INJURY WHATSOEVER OCCURRING IN CONNECTION WITH, OR AS A RESULT OF, THE USE IN ANY RUGER FIREARMS OF FAULTY, OR NON-STANDARD, OR “REMANUFACTURED” OR HAND-LOADED (RELOADED) AMMUNITION, OR OF CARTRIDGES OTHER THAN THOSE FOR WHICH THE FIREARM WAS ORIGINALLY CHAMBERED.

| | | |
|---|---|--------------------------------|
|  | | WARNING – LEAD EXPOSURE |
|  | Discharging firearms in poorly ventilated areas, cleaning firearms, or handling ammunition may result in exposure to lead and other substances known to the state of California to cause birth defects, reproductive harm, and other serious physical injury. Have adequate ventilation at all times. Wash hands thoroughly after exposure. | |
| | SHOOTING OR CLEANING GUNS MAY EXPOSE YOU TO LEAD | |

ASSEMBLING THE SHOTGUN

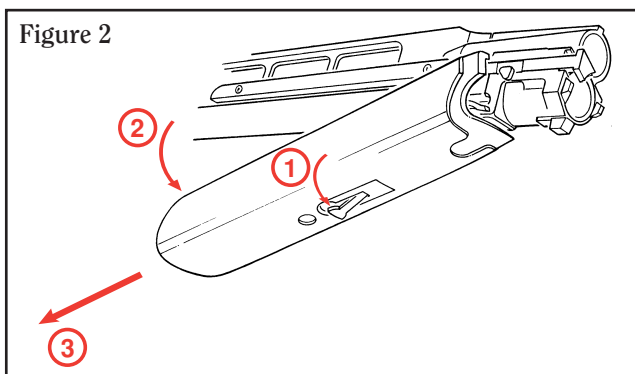
The **RUGER® TRAP MODEL** Shotgun is shipped partially disassembled. To assemble, proceed as follows:

1. After unwrapping the barrel/forearm assembly and receiver/stock assembly, wipe excess rust preventative oil from the monobloc and inside surfaces of the receiver. Swab the bore with a clean cloth patch on a cleaning rod to remove any excess oil.

DO NOT ATTEMPT TO JOIN THE BARREL ASSEMBLY TO RECEIVER WITH THE FOREND ATTACHED!

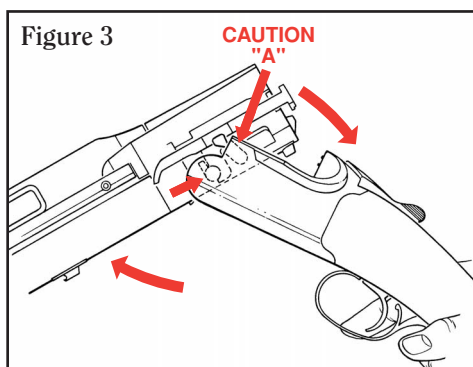
2. To Remove Forearm From Barrel Assembly (See Figure 2):

- a. Unlatch forearm by pulling down on latch lever.
- b. Carefully pull down on tip of forearm until slight resistance is felt - APPLICATION OF EXCESSIVE FORCE AT THIS POINT CAN RESULT IN BREAKAGE.
- c. While holding forearm tip away from the barrel, carefully pull forearm toward the muzzle and remove forearm from the barrel.

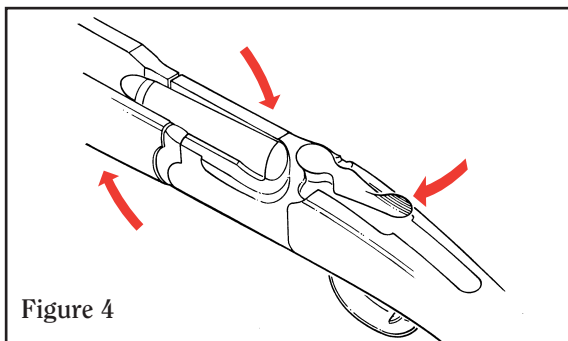


3. To Attach the Barrel Assembly to the Receiver:

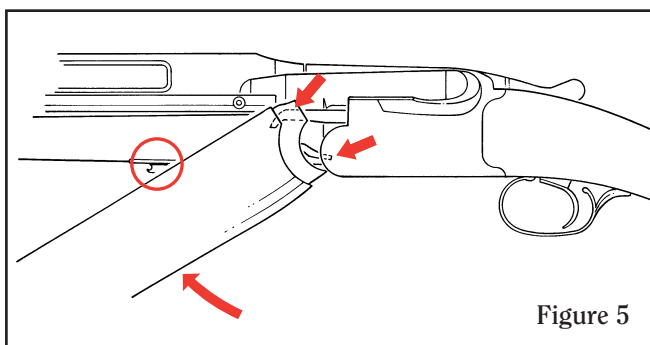
Hold the stock by the pistol grip in one hand as shown in Figure 3. Make sure the top lever is opened to the right in order to accept the barrel assembly. Hold the barrel assembly (without the forend) in the other hand and engage the integral trunnions in the receiver with the corresponding recesses at the front end of the monobloc. Be sure the small lug (indicated by the arrow in "A" in Figure 3) on the outer surfaces of the ejector engages its corresponding slot inside the front end of the receiver **BEFORE CLOSING THE GUN!** *The foregoing caution must be followed or the receiver will be damaged by the ejector as the gun is closed.*



4. Swing the muzzle end of the barrel upward, pivoting the rear end of the monobloc downward to seat in the receiver as shown in Figure 4. The barrel assembly is seated and locked into the receiver when the top lever snaps to its centered position.

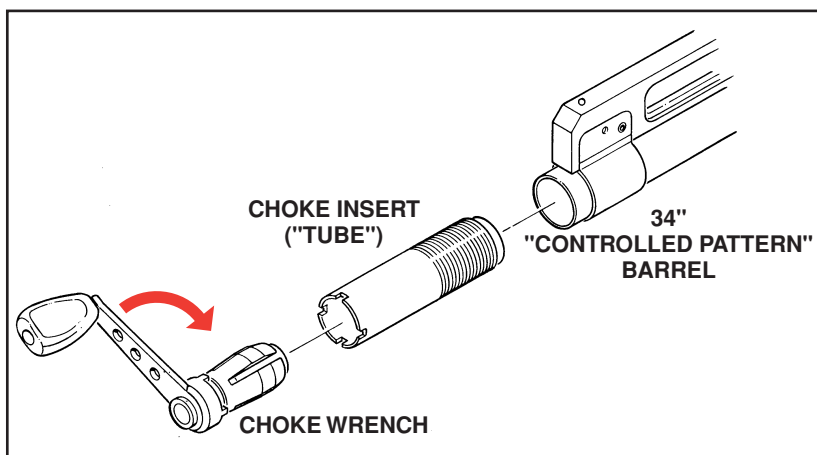


5. Push the rear end of the forend iron back over the ends of the ejector as shown in Figure 5. Then carefully swing the front end of the forearm upward until the forend latch lever catches the forend latch hook on the underside of the lower barrel, and the forend assembly snaps into its locked position flush with the stock.



INSTALLATION OF SCREW-IN CHOKE INSERTS

Make sure the shotgun is unloaded! Either open the action or dismount the barrel completely from the action assembly. Lightly coat the threads of both the barrel and the desired choke insert with good quality gun oil. Carefully start the choke insert into the barrel threads by hand, taking care that the choke insert is not cross-threaded. Using the choke wrench (supplied), carefully hand-tighten the choke insert into the barrel until it is tightly secured in the barrel, so that the choke insert is fully bottomed into its recess in the barrel. Take note which choke you are inserting into the barrel. The trap choke inserts are stamped either “FULL” or “MODIFIED”. Remove the choke wrench from the barrel after tightening.





NOTE: *Stainless Steel* trap choke inserts may protrude slightly from muzzle when fully seated. This is normal and helps protect the muzzle of the barrel from damage.

To minimize the possibility of damage to the screw-in choke inserts and the barrel threads, it is recommended that a choke insert be kept correctly tightened into the barrel at all times, including storage and cleaning. Cleaning the barrel without the choke insert in place can push dirt and other fouling into the barrel threads, which will interfere with proper installation of the choke insert.

Be sure you only use the correct choke insert (tube). The screw-in choke inserts for the newer Ruger “easy open” shotguns, including the Ruger Trap Model shotgun, are stainless steel and stamped on the side either “FULL” or “MODIFIED”. They are not interchangeable with the shorter, blued steel choke tubes of older Ruger shotguns which have identification slots on their muzzle end. A general rule of thumb is that if the choke tube screws in significantly below flush with the muzzle, or if the choke sticks more than slightly out of the muzzle when completely tightened, you are using the wrong choke tube!

Steel Shot — Steel shot loads manufactured to U.S. Industry Standards can be used with Ruger Screw-in choke inserts with no special precautions other than those listed above. (See “Ammunition” and “Steel Shot” instructions and warnings, pp. 9 - 10).

Never fire the shotgun without a correct screw-in choke insert in place. Doing so will cause an erratic shot pattern and may irreversibly damage the choke insert threads in the barrel, making correct installation of the screw-in choke inserts impossible without expensive re-barreling. Do not attempt to use screw-in choke tubes of any other make or manufacture in Ruger shotguns. They will not function properly.

| | |
|--|--|
|  WARNING – SCREW-IN CHOKES | |
|  | <p>Do not peer directly into the shotgun muzzle! This is dangerous and unnecessary. Do not change choke insert in a loaded shotgun. Never fire the shotgun if a screw-in choke insert is not fully and tightly bottomed into the barrel threads, or if the insert is improperly installed or “cross-threaded”, or if the threads of either the barrel or the choke insert are damaged. Under these conditions, the barrel will be damaged and the screw-in choke insert can be propelled out of the muzzle with great velocity when the gun is fired, with resultant risks of property damage or injury to the shooter or bystanders. Do not attempt to alter or modify existing fixed choke Ruger shotgun barrels for screw-in choke inserts. This can seriously weaken the barrel and may be dangerous. See “Alteration Warning” elsewhere in instruction manual.</p> |
| DO NOT PEER INTO MUZZLES OR CHANGE TUBES ON A LOADED SHOTGUN | |

OPERATION OF THE SHOTGUN

Always check to be sure the gun is unloaded before handling, “dry-firing”, take-down, cleaning, or storage.

Every **RUGER® TRAP MODEL** Shotgun is inspected before shipment to ensure that it conforms to our standards of finish and performance. WE ASSUME NO RESPONSIBILITY FOR ANY INJURY OR DAMAGES RESULTING FROM ITS INTENTIONAL OR ACCIDENTAL DISCHARGE. No mechanism can prevent injury caused by careless or thoughtless handling of a loaded firearm. (See “The Basic Rules of Safe Firearms Handling”, pp. 39 - 42)

TO LOAD AND FIRE

Practice the important aspects of gun handling described below (with an unloaded gun) until you can perform each of the steps with skill and confidence. But before loading the shotgun, please read completely through this manual, and be certain the muzzle is pointing in a safe direction. **Do not load the shotgun until you are ready to use it!**

1. With the gun assembled, move the top lever completely to the right and open the action completely downward. The ejector will snap rearward with a “click” to its extended position.
2. Look through the barrel from the rear to be sure the barrel is completely free from any obstruction (See Rule 4, p. 40). Note that, unlike other smoothbore shotguns, inside the barrel you will see the straight grooves of the Ruger controlled pattern bore system.
3. With the gun opened, insert a 12 gauge 2 3/4” shot shell, in good condition loaded to U.S. Industry specifications and appropriate for trapshooting, into the chamber. **Keep your finger off the trigger and completely outside the trigger guard until you are actually firing!**
4. **ONLY WHEN YOU ARE READY TO FIRE IMMEDIATELY**, close the action and check to be sure it is securely locked and that the top lever has moved fully to its centered position. **Keep the gun pointed in a safe direction**, call for your target (“pull”), **and fire at your selected clay target** by pulling the trigger.



**WARNING: DO NOT TOUCH THE TRIGGER
UNTIL YOU ARE READY TO FIRE.**

5. Fired shell cases will be automatically ejected when the barrel is fully opened. **IF A SHOT IS NOT TO BE FIRED IMMEDIATELY, THE SHOTGUN MUST BE OPENED AT ONCE** by pushing the top lever fully to the right and swinging the barrel downward. The live shell should be manually extracted immediately. **An open, empty action is the only safe handling and carrying position for break-open target shotguns designed for trap shooting.** Always be certain that the shotgun is pointed in a safe direction! Trap shooting rules require that the action be fully opened at all times except when you are on the trap line and are the shooter whose turn it is to shoot. Only then should you drop a shell into the chamber, close the action, mount the gun, call “pull” for the bird, and fire at it. **Open the action and be sure the chamber is empty immediately after shooting, or if a “cease fire” is called, or if any condition prevents you from firing immediately.**



WARNING – FIRING



All persons must be a safe distance to the rear of the shooter when a shotgun is being fired. Particles of shot, lead, powder, lubricant, accumulated bore deposits and particles of clay targets can be blown in a wide area – particularly if the wind is blowing – into the eyes and face of the shooter and those nearby. For that reason shooters and bystanders must wear shooting glasses or similar eye protection. Hearing protection must also be worn because exposure to shooting noise can damage hearing. See “Ammunition Warning”, p. 10.

ALWAYS WEAR EYE AND HEARING PROTECTION

TO UNLOAD



WARNING – UNLOADING

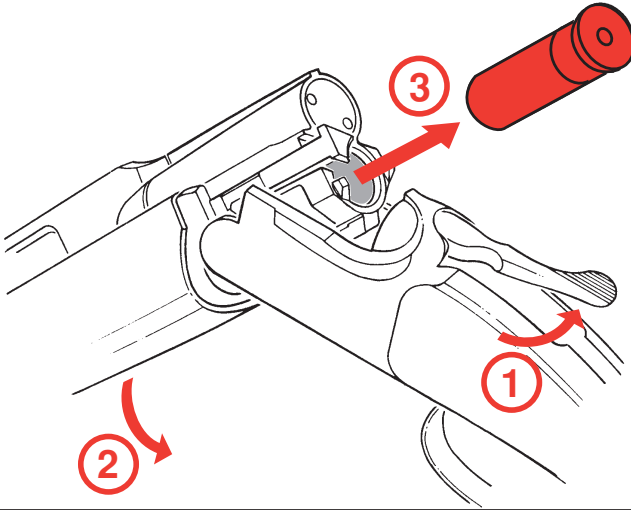


The ejector mechanism only ejects fired shells. It does not eject live ammunition. Do not rely upon the ejector mechanism to unload the gun. Simply opening the gun does not unload it. To unload, open the gun smartly, **manually remove the cartridge**, and visually check chamber to be sure the chamber is unloaded and empty. See “Unloading Sequence”, p. 17.

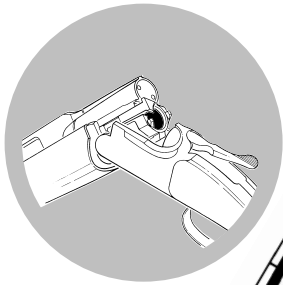
MAKE SURE GUN IS UNLOADED

After firing, move the top lever completely to the right, and pivot the barrel downward to open the action and eject the empty shot shell. Keep your face away from the action when ejecting the empty shell, in order to avoid being struck by it as it leaves the gun. Vigorously opening the barrel downward will assist in ejecting the empty shell. If the action is opened with an unfired (“live”) shotshell in the chamber, it will be elevated (but not ejected) sufficiently to be easily extracted with the fingers. **You must remove a live (unfired) cartridge manually! Visually inspect the chamber to be sure the shotgun is completely unloaded prior to closing the action when you are finished shooting, and again before putting the gun away.**

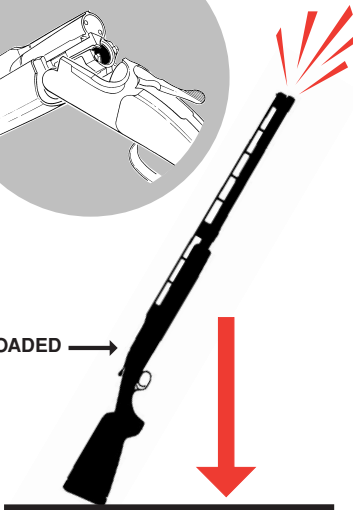
CORRECT UNLOADING SEQUENCE



WARNING – HANDLING



LOADED →



Never carry the shotgun loaded. Always keep the action open unless actually firing! Never place a loaded gun against any object (wall, fence, vehicle, tree, etc.) because there is always the possibility that the gun will be knocked or jarred from its standing position and fall with sufficient force to be discharged. Never point the gun at another person, or allow the muzzle to point at any part of your body. **The only safe gun is one in which the action is open and the chamber is unloaded and empty.**



**ANY GUN MAY FIRE
IF DROPPED**

TO EXTRACT AND EJECT A CHAMBERED SHOT SHELL

If a shell fails to fire or if the shooter wishes to remove a chambered shell manually, follow the procedure “To Unload” p. 16. When the action is opened there can be a failure to extract the shot shell from the chamber, or a failure to eject the shell clear of the shotgun. These failures usually are the result of the barrel assembly not being opened vigorously, or an excessively dirty or unlubricated action. Poor quality, damaged, or reloaded ammunition may also not eject correctly. From the foregoing, it is clear that the user must:

1. Always visually check the chamber after opening the action to eject a chambered shell, and be sure it is empty.
2. Thoroughly clean and correctly lubricate the chamber and the extractor as often as necessary.
3. Only use quality 2 3/4” 12 ga. ammunition in good condition loaded to U.S. Industry specifications which is appropriate for trapshooting.

If a shot shell fails to eject, it may remain on the extractor. Then, when the action is closed, the cartridge will be chambered again! **REMEMBER** -- always visually check to ensure that no shell remains in the chamber before closing the action.

| | |
|---|--|
|  | |
| WARNING – BORE OBSTRUCTIONS | |
|  | <p>Before loading or shooting the Ruger Trap Model shotgun, be certain the bore is unobstructed. <i>Firing the shotgun with any obstruction in the bore may result in severe damage to the shotgun and serious injury to the shooter and other persons nearby.</i></p> <p>A MISFIRE or unusual report (sound) upon firing is always a signal to cease firing immediately and after waiting for one minute, examine the chamber and bore of the firearm. It is not sufficient to just open the action and examine the chamber. You must clear the chamber and inspect the bore visually - and with a rod if necessary - to be certain it is completely clear of any obstruction. Failure to detect and correctly remove a bore obstruction can result in serious injury to the shooter and bystanders, and damage to the firearm.</p> |
| | DO NOT “SHOOT OUT” A BORE OBSTRUCTION |

TO REMOVE A BORE OBSTRUCTION

Use of poor quality ammunition may leave a wad or other shot shell component in the barrel when fired, and your shotgun may be damaged from subsequent firing if the bore is obstructed. Dropping a shotshell of smaller than 12 gauge into the chamber can also create a dangerous bore obstruction. Excess oil, grease, water, or raindrops may also form an obstruction which could cause damage and injury. If you suspect that your shotgun may have a bore obstruction of any kind, excess oil, grease or a shot shell wad in the barrel, or if it may have been exposed to humid conditions which could cause condensation, or to rain, mud, or snow which might have entered the bore, open the action and clean out the barrel. **Inspect the bore visually from the breech end to be sure that it is perfectly clear before firing.** (See “Ammunition Warning” p. 10 and “Care and Cleaning” section p. 23)

A shotgun user should recognize that a lodged shotshell wad is a fairly common form of bore obstruction. Therefore the following information on how a wad may become lodged in the bore, and how it should be removed, deserves most careful reading and heeding!

When firing, a wad may become lodged in the bore if the shell contains no powder, or the powder fails to ignite and only the primer charge ignites, producing insufficient force to propel the shot or wad completely out of the bore. This generally produces an unusual sound, sometimes called a “blooper”, due to its incomplete report. The shot charge usually is propelled only weakly out of the barrel. This condition occurs most frequently with *reloaded ammunition*.

If this situation occurs, proceed as follows *with the shotgun pointing in a safe direction*:

- a) Press the top lever all the way to the right and open the action completely. Doing so should eject the fired shell, **but check to be certain.**
- b) **Keep the shotgun pointed in a safe direction throughout this process.**
- c) **After making sure that the shotgun is unloaded**, inspect the bore from the breech end of the barrel. If the bore is obstructed, insert a proper size cleaning rod (without a tip or brush) into the bore from the breech and carefully dislodge and remove the wad or other obstruction. If the obstruction does not readily dislodge, it may be necessary to lightly tap the handle end of the cleaning rod. If such efforts fail to dislodge the obstruction, take the shotgun to a gunsmith. **DO NOT ATTEMPT TO REMOVE A LODGED WAD OR OTHER OBSTRUCTION USING A BLANK CARTRIDGE, OR A SHELL FROM WHICH THE SHOT CHARGE HAS BEEN REMOVED, OR BY SHOOTING IT OUT, OR BY ANY MEANS OTHER THAN THE USE OF THE PROPER SIZE CLEANING ROD AND REASONABLE FORCE APPLIED TO THE ROD. BE CERTAIN ALL LOOSE POWDER HAS BEEN REMOVED FROM THE BORE AND ACTION BEFORE INTRODUCING THE ROD INTO THE BORE. NEVER TRY TO SHOOT OUT A BORE OBSTRUCTION!** See “Bore Obstruction Warning”, p. 18.
- d) Reinspect the bore and run a cleaning patch down it to be certain it is free of unburned powder particles or any other debris. At the same time clean the action, ejector, and other areas of the mechanism of any unburned powder grains.

It is absolutely essential that steps (a) through (d) be followed if there is any suspicion that a wad or other obstruction has been lodged in the bore because of the situations described above. Remember that a wad can be lodged in the bore and a live shotshell can still be chambered and the action closed and locked. This can give the shooter the impression that the loaded shotshell has chambered normally, **but firing any gun with an obstructed bore can result in serious personal injury or property damage to the shooter or bystanders!**

Always check the bore for an obstruction if you experience difficulty in chambering a shotshell, experience a failure to extract, have a misfire, or the shotgun does not make a normal loud report on firing.

RELOADERS SHOULD USE ONLY CORRECT COMPONENTS AND BE SURE TO CRIMP THEM SECURELY IN THE SHOTSHELL. NOTE: Sturm, Ruger & Co. specifically does **not** recommend the use of reloaded, hand-loaded or remanufactured cartridges. Please see “Ammunition Notice” p. 10.

TO CLEAR A MALFUNCTION (“JAM”)

Before “doing something”, study the situation to determine the nature of the jam and how best to clear it. Any firearm may occasionally malfunction. If it does:

1. **Be certain the muzzle is pointed in a safe direction. Keep fingers away from the trigger. Carefully open the action and keep it open.**
2. If a shell is stuck in the chamber or ejector, proceed as follows:
 - a) If a **fired** case is in the chamber, after opening the action, carefully use a cleaning rod to knock the fired case out from the muzzle end.
 - b) If an **unfired** shell is stuck in the chamber, remove it from the breech-end, rather than trying to dislodge it with a cleaning rod inserted from the muzzle. Use a piece of 3/16” brass rod which has one end shaped flat like a screwdriver tip. Insert the tip under the rim of the shell, use the face of extractor as a fulcrum and carefully pry out the shell. **Be careful not to strike the primer area of the live shell!** Vigorously brush-clean the chamber with solvent after clearing any jam involving the chamber.
3. When attempting to free a jammed shell, do not use any type of tool that is likely to act as a “firing pin” and discharge the shell, should the tool impact on the primer. Never use a shell as a “tool”.
4. After clearing a jam, inspect the gun mechanism to determine if dirt or debris might be the cause of the problem. Excess lubricant or grease can cause shotshells to chamber or extract and eject with great difficulty, or make the action hard to open or close. An accumulation of grease, dirt or powder grains can contribute to the same conditions.
5. After clearing a jam, inspect all shells that have been removed from the gun. Safely dispose of any shells which are dented, nicked, bulged, corroded, or damaged. Most jams are caused by ammunition which exhibits such conditions.

6. If it appears that the shotgun is not at fault and that the jam was caused by the type of shell being used, try another type or brand of ammunition.
7. If the above procedures do not result in a smooth and reliable firearm, don't use the gun. It should be returned directly to our Newport Product Service Department for repair. See the "Service and Parts" section p. 32, for packing and shipping information.

Another precaution: Form the habit of examining fired shell cases from time to time. If fired cases have bulged heads or show splits on any part of the case, stop using that ammunition and return the shotgun to the factory for inspection. (See page 32)

TO MINIMIZE MALFUNCTIONS ("JAMS")

Firearms of all makes and types occasionally malfunction when a cartridge or shell fails to fire, or when a cartridge or shell fails to properly extract and eject.

To minimize the possibility of such occurrences the gun user should:

1. Use good quality factory ammunition of the correct gauge and type which is loaded to Industry Specifications. Avoid reloads, remanufactured shells, and shells that are dirty, corroded, or deformed. (See "Ammunition Warning", p. 10)
2. Clean and lubricate the gun in accordance with the instructions in this manual. (See "Care and Cleaning", p. 23)
3. If the mechanism shows signs of not functioning correctly, or if a part is damaged or broken -- don't use the gun. Have it inspected and repaired. (See "Malfunction Warning", p. 22)
4. If a shell does not fully chamber, do not 'pound' on the barrel assembly or buttstock to force the action closed. Rather, open the action, carefully remove the shell from the gun and determine the cause of the problem. (See "Bore Obstructions Warning", p. 18)

Alterations to the shotgun or use of non-Ruger accessories may cause malfunctions. (See "Alteration Warning" on p. 5). If the above procedures do not result in a smooth and reliable feeding firearm, don't use the gun. The shotgun can be returned directly to our Newport, New Hampshire Product Service Department for repair. See the "Service and Parts Policy" section, page 32, of this manual for packing and shipping information.



WARNING – MALFUNCTIONS



A shell can be “discharged” before it is chambered if its primer receives a sharp blow. If a shell hangs up, jams, or binds when being chambered, **do not attempt to force it into the chamber by pushing or striking it, or by slamming the action shut.** Any jam or feeding problem is a signal to immediately stop using the gun until it can be determined what is wrong. Most failures of a shell to fire or to chamber are caused by improper maintenance, improper gun handling, or defective ammunition. **Whatever the cause, shell jams can result in the potentially dangerous situation of a shell discharging before it is chambered. If this occurs, the shell case will rupture and its fragments will fly out of the gun with sufficient force to cause injury. Always wear shooting glasses and hearing protectors! Keep face away from chamber!**

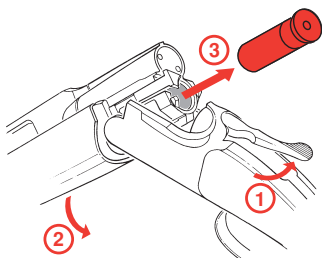


**STRIKING PRIMER
CAN BURST SHELL**

DISASSEMBLY PROCEDURE



WARNING – DISASSEMBLY



Never clean, lubricate, disassemble or work on a firearm while it is loaded.

**UNLOAD BEFORE
DISASSEMBLY OR
CLEANING**

Although the shotgun can be disassembled, reassembled, and cleaned in almost any surrounding, it is preferable to carry out these procedures on a workbench or table which has a covered top. A piece of shallow nap rug or an old blanket is an ideal covering. Such a covering keeps the shotgun from slipping and being scratched.

To take down the Ruger Trap Model Shotgun, proceed as follows:

1. **CHECK THE CHAMBER TO BE SURE THAT THE GUN IS UNLOADED.**
2. Pull out the forend latch lever and separate the forend assembly from the barrels as in Step 2, page 11 (See Figure 2, p. 11).

3. Push the top lever all the way to the right and open the gun, pivoting the muzzle end of the barrel downward and lifting the barrel assembly out of the receiver as the integral trunnions are disengaged from their corresponding recesses at the front end of the monobloc.

This completes the takedown required for all normal cleaning and maintenance purposes. *Further disassembly of component parts should only be undertaken by persons qualified in shotgun repair and is not recommended.*



CAUTION: THE RUGER TRAP MODEL SHOTGUN SHOULD NOT BE FURTHER DISASSEMBLED FOR ROUTINE MAINTENANCE OR CLEANING BY PERSONS UNQUALIFIED IN SHOTGUN REPAIR. IMPROPER FUNCTIONING AND DAMAGE TO THE GUN MAY RESULT.

IF THE BUTT STOCK IS REMOVED FROM THE FIREARM, UPON REASSEMBLY, IT MUST BE RETORQUED TO A MAXIMUM OF 4 FT/LBS. EXCESSIVE TIGHTENING OF THE STOCK BOLT (PART S-37), MAY RESULT IN THE STOCK CRACKING.

REASSEMBLY

See "Assembling the Shotgun", pp. 11 - 12.



CARE AND CLEANING



WARNING: BEFORE CLEANING, BE CERTAIN THAT THE CHAMBER OF THE SHOTGUN CONTAINS NO SHELL

ALWAYS CHECK TO BE SURE THE GUN IS COMPLETELY *UNLOADED* BEFORE CLEANING.

1. Take down the gun. (See Disassembly Procedure, p. 22 - 23)
2. Using a proper cleaning rod, run a solvent-wetted patch through the bore and chamber several times. Then run dry patches through the bore and chamber to remove all traces of residue.
3. If the bore or chamber is fouled to the extent that the above patch-cleaning procedure will not remove the lead or plastic residue, then scrub the bore, full length, with a solvent-wetted brass or nylon bristle brush. When the residue has been scrubbed loose, clean as described in Step 2, above.
4. The polished surfaces of the monobloc, ejector, and inside surfaces of the receiver where the monobloc rests should be coated with a very light film of lubricating oil.
5. Reassemble the gun, and wipe exterior metal surfaces with a sparingly oiled cloth. Accumulation of oil tends to attract dirt which can interfere with the safe and reliable function of the gun. Swab the bore with an oily patch before storing the gun. *Do not apply excess oil.*

| | |
|---|---|
|  WARNING – LUBRICATION | |
|  | Firing a shotgun with oil, grease, or any other material even partially obstructing the bore may result in damage to the shotgun and serious injury to the shooter and those nearby. Do not spray or apply lubricants directly on shot shells. If the shot shell's powder charge is affected by the lubricant, it may not be ignited, but the primer firing may push shot or wads into the bore where they may be lodged. Firing a subsequent shot into the obstructed bore may damage the gun and cause serious injury or death to the shooter and those nearby. Use lubricants properly. You are responsible for the proper care and maintenance of your firearms. |
| IMPROPER LUBRICATION DESTROYS GUNS | |

PERIODIC MAINTENANCE – At regular intervals, or whenever the gun has been exposed to sand, dust, extreme humidity, condensation, rainwater, snow, or other adverse conditions, take down and clean and oil your shotgun as outlined above. Lubricate contact area of forend iron and receiver with stainless steel lubricant. Proper periodic maintenance is essential to the reliable functioning of any firearm.

STORAGE

GUNS SHOULD NOT BE STORED LOADED!

**USE THE LOCKING DEVICE SUPPLIED WITH THE SHOTGUN FOR STORAGE.
(SEE PAGE 3)**

Do not store a shotgun in a leather case. Leather, and many cloth cases, attract moisture even though they may appear to be perfectly dry.



TO RENDER THE SHOTGUN INOPERATIVE FOR SAFE STORAGE

Open the action and check the chamber to be sure the shotgun is completely unloaded! With the muzzle pointed in a safe direction, close the barrel assembly fully. Turn the shotgun over and swing the forend latch open. Carefully remove the forend from the barrel assembly. Next, turn the shotgun over and press the barrel opening lever fully to the right. Swing the barrel assembly downward and then carefully remove it from the receiver. Assemble the forend to the barrel assembly.

Store the shotgun stock-receiver assembly and the barrel-forend assembly in different locations. When disassembled in this manner, the shotgun is inoperable. It is impossible to fire the shotgun until the barrel assembly has been correctly reattached to the receiver assembly.

To reassemble the shotgun for firing, carefully remove the forend from the barrel assembly. Carefully replace the barrel assembly into the receiver and carefully swing the barrel shut. Now replace the forend onto the barrel assembly. Press the barrel opening lever fully to the right, and break the shotgun open. The shotgun is now reassembled and can be loaded and fired normally.

While the shotgun is less likely to be used by unauthorized persons when disassembled in the above manner, it is always safest to store a firearm with the supplied locking device correctly installed, or to store the firearm in a gun safe or other secure location, away from children and unauthorized adults. Guns should always be stored securely, unloaded and separate from their ammunition.

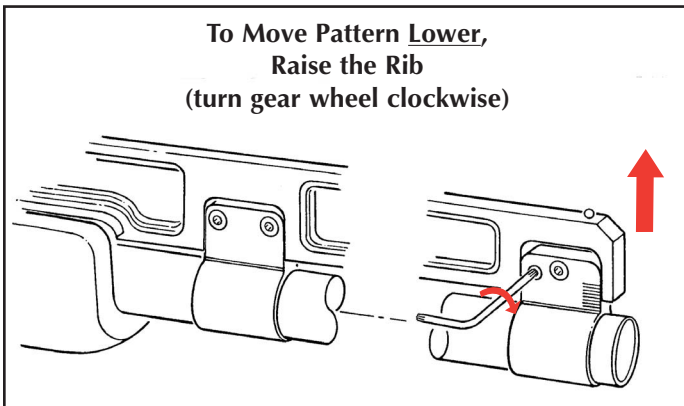
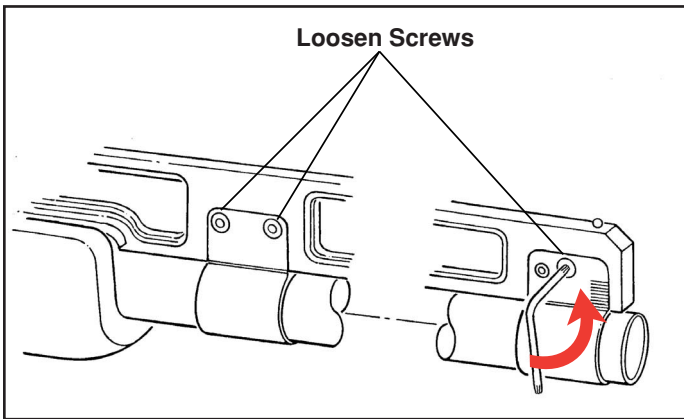
| | |
|--|--|
|  | |
| <h2>WARNING – STORAGE</h2> | |
|  | <p>Never place or store any firearm in such a manner that it may be dislodged. Firearms should always be stored securely and unloaded, away from children and careless adults. Use the locking device originally supplied with this firearm for storage.</p> <p>The use of a locking device or safety lock is only one aspect of responsible firearms storage. For increased safety, firearms should be stored unloaded and locked in a location that is both separate from their ammunition and inaccessible to children and any other unauthorized person.</p> |
| STORE SECURELY & UNLOADED | |

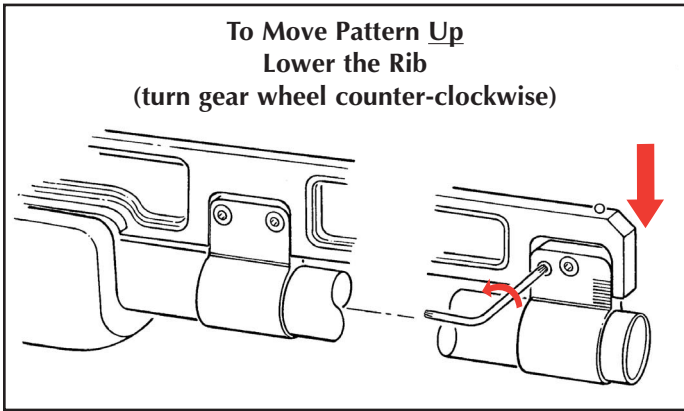
SPECIAL ADJUSTMENTS FOR RUGER TRAP MODEL SHOTGUN

The **RUGER® TRAP MODEL SHOTGUN** embodies many specialized adjustments demanded by participants in the demanding sport of clay target trap shooting. These adjustments are not found on other Ruger shotguns intended for hunting, sporting clays, and other field shooting activities. **DO NOT MAKE ANY ADJUSTMENTS ON A LOADED GUN!**

RIB ADJUSTMENT

To adjust the height of the rib, **open the action, unload the shotgun**, and loosen the Torx® clamp screw on the front barrel band and the two clamp screws on the middle band. Turn the gear wheel using the Torx® key wrench – **clockwise** to **raise** the rib and **counter-clockwise** to **lower** the rib. As the rib is raised, the shot pattern will lower; as the rib is lowered, the pattern impacts higher. After each adjustment, be sure to securely tighten the clamp screws before firing. Check pattern height again and readjust if necessary, following the above steps. The rib is adjustable for up to 3/8" of height change, which will accommodate most shot pattern placement preferences.

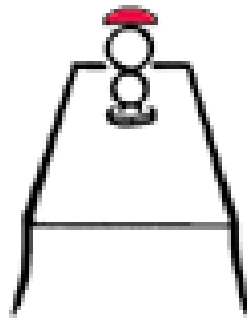




SUGGESTED SIGHT PICTURE FOR TRAPSHOOTING

The rear bead is aligned with the bottom of the front bead, and the target is positioned above the front bead.

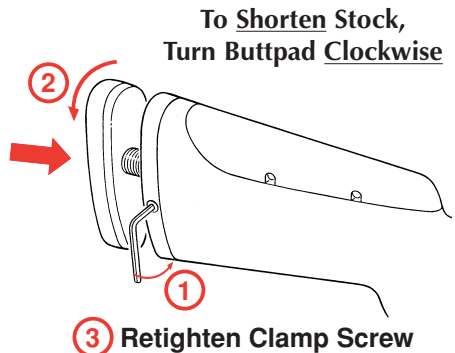
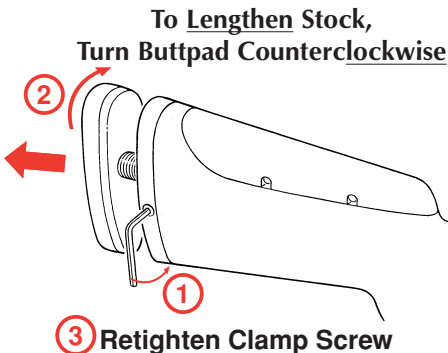
Lead in front of the target (Not shown here) is determined by the speed and angle of the target, and the individual shooter's method of shooting.



STOCK ADJUSTMENT

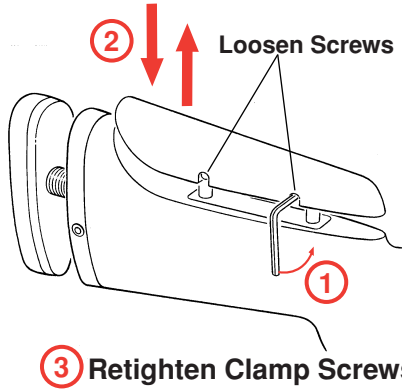
After the pattern location is established by adjusting the rib height, the stock can be adjusted to suit the individual.

- A. Loosen the Allen clamp screw on the right side of the stock near the buttpad. For **LENGTH OF PULL** adjustment, turn the buttpad clockwise to shorten the length of pull, or counter-clockwise to lengthen the length of pull. The length of pull is adjustable from 13 1/2" to 15 1/2". After the length is established, securely tighten the clamp screw.



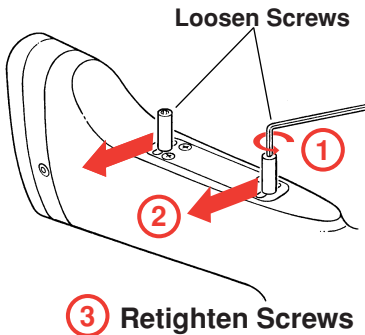
- B. To adjust the **COMB HEIGHT**, loosen the two Allen clamp screws on the right side of comb of the stock. Raise or lower the comb to the desired height and securely tighten the clamp screws.

To Raise or Lower the Height of the Buttstock

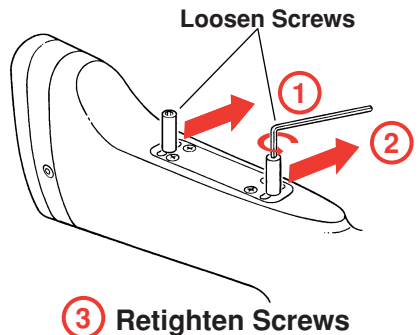


- C. To adjust the comb for **CAST OFF** or **CAST ON**, loosen the two Allen screws on the right side of the comb and remove the comb from the buttstock. Loosen the screw located inside the top of each of the posts. If cast off is desired, move each of the posts to the right approximately the same amount and retighten the screws. To get cast on, move the posts to the left. Re-install the comb and check your sight picture. Readjust if necessary until all adjustments put the pattern at the preferred location for the individual shooter. Then tighten all adjustment screws securely.

**For Cast-Off,
Move Screws To Right**



**For Cast-On,
Move Screws To Left**





TARGET TRIGGER

SPECIAL SAFETY NOTE

The specialized **RUGER® TRAP MODEL** Shotgun you have selected is specifically designed for the precision target sport of competitive trap shooting at clay targets. As such, it demands that you take extra safety precautions.

The **RUGER® TRAP MODEL** Shotgun is a target firearm designed to have a light and crisp target trigger pull with a minimum of take-up (“slack”) and overtravel. Its special target trigger is externally adjustable for weight of pull, and has been set at the factory to have an approximately 3.5 pound trigger pull. Overtravel and sear engagement have been factory set for correct trigger functioning and should **not** be further adjusted.

| | |
|---|--|
|  WARNING – TARGET TRIGGER | |
|  | This precision target trigger has been carefully adjusted at the factory for safe and proper functioning. Do not alter the factory overtravel or sear engagement settings! You can create an unsafe condition and the shotgun can fire unexpectedly. Do not attempt to turn the weight of pull adjustment screw past its lower limit or otherwise attempt to further decrease the trigger pull. You may create an unsafe condition! |
| | DO NOT ALTER OVERTRAVEL OR SEAR ENGAGEMENT |

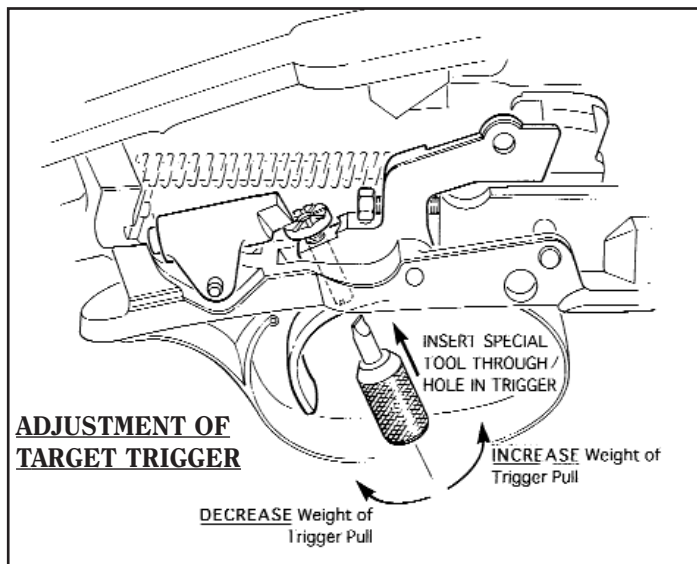
ADJUSTING THE TRIGGER WEIGHT OF PULL

SHOOTERS MAKING ANY ADJUSTMENTS OR CHANGES TO THE FACTORY SETTINGS, WHEN THEY CHOSE TO MAKE SUCH ADJUSTMENTS, MUST TAKE FULL RESPONSIBILITY FOR TAKING THE ADDITIONAL SAFETY PRECAUTIONS REQUIRED WHEN HANDLING A TARGET FIREARM WITH A LIGHTER TARGET TRIGGER PULL.

The only adjustment you can safely make to this target trigger involves its weight of pull. Before making any such adjustment, please read and understand this entire procedure! If you are unclear as to how to proceed with any step, make no further adjustments and immediately contact the Ruger Product Service Department, (603) 865-2442, for instructions. Do not attempt to use this shotgun or any firearm if you are uncertain as to its safe operating condition.

1. Open the action and check to be sure the shotgun is unloaded! Keep the muzzle pointed in a safe direction at all times.
2. Close the shotgun. On the top of the target trigger, just above where the finger presses during firing, is a hole with a small screw in it. This is the weight of pull adjustment screw.

- The factory-supplied screwdriver should be used when adjusting this screw, which is detented so that it will “click” when turned. This helps prevent inadvertent movement of the screw.
- Turning this weight of pull adjustment screw **clockwise** will **increase** the weight of trigger pull necessary to fire the shotgun. Turning the same screw **counterclockwise** will **decrease** the weight of trigger pull necessary to fire the shotgun. (See Illustration below)



- The weight of trigger pull adjustment should be made in small steps. Turn the adjustment screw only 3 or 4 “clicks” at a time, and then check the adjustment by dry-firing the unloaded shotgun from your normal shooting stance before proceeding further. Once the weight of trigger pull suits your needs and preferences within the limits of adjustment – stop!
- Please note that the weight of pull adjustment screw has a definite lower limit designed into it. If this screw has been turned counter clockwise to its furthest limit and cannot be turned any further, the weight of trigger pull is at its lowest intended adjustment. **DO NOT ATTEMPT TO FURTHER DECREASE THE WEIGHT OF THE TRIGGER PULL BEYOND THIS POINT BY ANY MEANS – YOU MAY CREATE A DANGEROUS CONDITION!**
- Once you have determined what weight of trigger pull is satisfactory for your target shooting needs, you should perform the following test of your adjustment: Open the shotgun to be certain the shotgun is unloaded, point it in a safe direction, and vigorously snap the shotgun closed. The hammer should remain cocked and the gun should be able to be dry-fired by a pull on the trigger. Repeat this test 3 - 4 times. If the hammer does not remain cocked, and you are unable to “dry fire” the shotgun, **DO NOT LOAD OR FIRE THE GUN.** Contact the Newport Product Service Department at (603) 865-2442.

During initial firing on a suitable clay target firing range after any trigger adjustment, be extra observant to be sure the shotgun is operating correctly. If you have any questions as to the gun's safe operating condition, cease firing immediately, unload the shotgun, and contact the Ruger Newport Product Service Department.

Reassemble buttstock to the receiver, noting caution on page 23.

REGARDLESS OF THE TRIGGER PULL WEIGHT, KEEP YOUR FINGER OFF THE TRIGGER, COMPLETELY OUTSIDE THE TRIGGER GUARD, UNLESS YOU ARE IMMEDIATELY FIRING AT A SELECTED CLAY TARGET!

MAINTENANCE OF STAINLESS STEEL COMPONENTS

Firearms and components made of stainless steel are relatively more resistant to corrosion than those of blued steel. However, in the interest of proper operation and long life of a stainless steel firearm, inspect it frequently and clean, lubricate and apply an appropriate rust preventative.

Sometimes discoloration occurs from perspiration or from contact with some types of gun cases. Rusting may occur as a result of the firearm being exposed to moisture, salt air or chemicals.

Minor discoloration can usually be removed by rubbing the stainless steel area with an abrasive ink eraser, crocus cloth, or a "metal polishing" compound. When using any of these abrasives, proceed with care and use light pressure to achieve a blending of "color" with those areas that are not discolored.

External surfaces most subject to rusting from handling, or from exposure to the elements should be cleaned and wiped dry after use or after exposure to adverse conditions. If the shotgun is to be stored, coat it with a light film of oil or preservative. Where the shotgun is in continuing use, and the presence of oil or grease would be objectionable, then the external surfaces can be coated (after cleaning and drying) with a paste wax formulated for use on metals. Apply the wax sparingly, allow time for it to dry hard, then buff lightly with a soft cloth. When applying the wax, take care that it does not get into the mechanism or on the functioning parts or in the bore.

SERVICE AND PARTS POLICY

If you have any question with regard to the performance of your **RUGER® TRAP MODEL SHOTGUN** please write or call (603-865-2442) our Product Service Department, 411 Sunapee Street, Newport, New Hampshire 03773, fully describing all circumstances and conditions involved. If you should return your shotgun to the factory for repair, or order parts for it, please comply with the following suggestions for prompt service.



WARNING: BEFORE SHIPPING ANY FIREARM, BE ABSOLUTELY CERTAIN THAT IT IS UNLOADED. DO NOT SHIP CARTRIDGES WITH A FIREARM.

SHIPPING FIREARMS FOR REPAIR

RUGER® TRAP MODEL SHOTGUNS returned to the factory for repair should be sent to: Sturm, Ruger & Company, Inc., Product Service Department, 411 Sunapee Street, Newport, New Hampshire 03773. Telephone (603) 865-2442. Guns should be sent prepaid. We will not accept collect shipments.

The Federal Gun Control Act, as well as the law of most States and localities, does not prohibit an individual (who is not otherwise barred from purchasing or possessing a firearm) from shipping a firearm directly to the manufacturer for repair. However, before you ship your shotgun to us, be certain that your State or locality does not have a law or regulation which will prohibit you from receiving the shotgun from us after it has been repaired. If such receiving is prohibited, then please have a Federally Licensed firearms dealer ship the gun to us. If your shotgun is sent to us by a dealer, it will be returned to him after being repaired. If a handgun (pistol or revolver) is shipped by an individual who does not hold a Federal Firearms License, it must be shipped via U.P.S. (Next Day Air) Persons who do not hold a Federal Firearms License are prohibited by Federal law from shipping a handgun by Mail. Handguns mailed in violation of the law are impounded by the Post Office.

Please do not include your carrying case, scabbard, or custom accessories with a firearm being shipped to the factory for service. **DO NOT SEND GUN BOXES OR LITERATURE THAT YOU CONSIDER TO BE COLLECTOR'S ITEMS – THESE ARE INVARIABLY DAMAGED OR DESTROYED IN SHIPMENT.** Rifles and shotguns may be shipped via Parcel Post. Always insure your shipment.

Enclose a letter which includes your name, address, telephone number, serial number and model of the firearm. Describe in detail the trouble you have experienced with your firearm, or the work you wish to have done. Merely stating that the firearm "needs repair" is inadequate information.

Work performed will bear a net minimum labor charge of \$20.00 plus a \$12.00 shipping and handling charge. Custom gunsmithing service or nonstandard alterations are NOT AVAILABLE from Ruger Product Service Departments.



WARNING – PARTS PURCHASERS



It is the purchaser's responsibility to be absolutely certain that any parts ordered from the factory are correctly fitted and installed. Firearms are complicated mechanisms and **IMPROPER FITTING OF PARTS MAY RESULT IN A DANGEROUS MALFUNCTION, DAMAGE TO THE FIREARM, AND SERIOUS INJURY TO THE SHOOTER AND OTHER PERSONS.** The purchaser and installer of parts must accept full responsibility for the correct adjustment and functioning of the shotgun after such installation.

PARTS MUST FIT CORRECTLY

ORDERING PARTS

Please contact the New Hampshire Product Service Department for parts availability and current prices. All parts orders for the **RUGER® TRAP MODEL SHOTGUN** should be sent to: Sturm, Ruger & Company, Inc., Product Service Department, 411 Sunapee Street, Newport, New Hampshire 03773, (603) 865-2442. We cannot comply with open account or C.O.D. requests. Payment in the form of a check, money order, Visa or Mastercard must accompany your order. Credit Card orders must include the account number, expiration date and whether it is a Visa or Mastercard account. Minimum parts order is \$1.00 plus a \$3.50 shipping and handling charge. Order parts by Part Number and Part Name and include the entire serial number of the firearm for which the parts are being ordered. There is a minimum net labor charge of \$20.00 if the parts are factory fitted. All factory-fitted parts are fitted on an exchange basis only. We will not return the replaced parts.

Barrels and a number of other component parts must be fitted at the factory. Company policy is to proof-test and/or function fire all barrels after fitting to the receivers in which they are to be used. This procedure ensures maximum protection to our customers. The special proof-test ammunition used in this testing is sold only to bonafide firearms manufacturers and is not available to gun shops, gunsmiths, or individuals.

Because the receiver of the **RUGER® TRAP MODEL SHOTGUN** is defined as a "firearm" by Federal Law, it is not offered for sale as a separate component part.

*Parts designated by an asterisk must be factory fitted. These parts are fitted on an exchange basis only. We will not return the replaced parts. We will not return any part that is broken, malfunctioning, badly worn or has been modified. See "Warning – Parts Purchasers" above.



CAUTION: A GUN CONTAINING MODIFIED, BROKEN, MALFUNCTIONING, OR BADLY WORN PARTS SHOULD NOT BE FIRED.

RUGER® TRAP MODEL SHOTGUN

PARTS LIST

Design, prices and specifications subject to change without notice.

SPECIFY MODEL AND GAUGE WHEN ORDERING

(See Exploded View on Page 38.)

34

| Part Name | Part No. | Model |
|---|-------------|------------|
| * Barrel Assembly | KOU8016 | Trap Model |
| Barrel Rib | OU02478 | Trap Model |
| Barrel Rib Adjustment Gear | OU02498 | Trap Model |
| Barrel Rib Clamp Block, Front | OU024112 | Trap Model |
| Barrel Rib Clamp Block, Rear | OU024113 | Trap Model |
| Barrel Rib Clamp Plate, Front | OU024114 | Trap Model |
| Barrel Rib Clamp Plate, Rear | OU024115 | Trap Model |
| Barrel Rib Clamp Screw, 3 Req'd | OU024116 | Trap Model |
| Barrel Rib Filler, Left | OU00255 | Trap Model |
| Barrel Rib Filler, Right | OU00256 | Trap Model |
| Barrel Rib Filler Screw, 2 Req'd | OU00046 | Trap Model |
| Barrel Rib Hinge | OU00244 | Trap Model |
| Barrel Rib Hinge Pin | OU00248 | Trap Model |
| Barrel Rib Hinge Nut Assembly | OU00241A | Trap Model |
| Cable Lock, 10", Not Illustrated - For Ruger Shotguns Only | PM120A | Trap Model |
| Center Bead | OU06701 | Trap Model |
| Choke Wrench, Not Illustrated | OU09017A | Trap Model |
| Choke Insert, Full, 2 1/2", Not Illustrated | KOU08910A-A | Trap Model |
| Choke Insert, Modified, 2 1/2", Not Illustrated | KOU08911A-A | Trap Model |
| Cocking Rod | OU01420 | Trap Model |
| Cocking Rod Spring | OU04401 | Trap Model |

| Part Name | Part No. | Model |
|---|-----------------|---|
| Butt Stock Component Parts List: | | |
| Butt Pad Screw, 2 Req'd | OU00050 | NOTE: With regard to the Butt Stock Component Parts, please contact the New Hampshire Product Service Department for availability and price of parts. The telephone number is 603-865-2442. |
| Butt Plate & Thread Rod | OU00032 | |
| Butt Stock | OU00431 | |
| Comb, Adjustable | OU00045 | |
| Comb Plate | OU00042 | |
| Comb Plate Screw, 2 Req'd | OU00047 | |
| Comp Post, 2 Req'd | OU00044 | |
| Comb Post Clamp Screw, 2 Req'd | OU00051 | |
| Comb Post Nut, 2 Req'd | OU00043 | |
| Comb Post Plate | OU00041 | |
| Comb Post Plate Screw, 4 Req'd | OU00048 | |
| Comp Post Screw, 2 Req'd | OU00049 | |
| Flat Head Wood Screw, 2 Req'd | OU00035 | |
| Hex Socket Head Cap Screw | OU00037 | |
| Lock Washer #8 | OU00040 | |
| Stock Plate | OU00038 | |
| Thread Sleeve | OU00036 | |
| Threaded Sleeve Retaining Screw | OU00039 | |
| * Ejector | OU00814 | Trap Model |
| Ejector Plunger | OU02900 | Trap Model |
| * Ejector Sear | OU01312 | Trap Model |
| Ejector Sear Plunger | OU-46 | Trap Model |

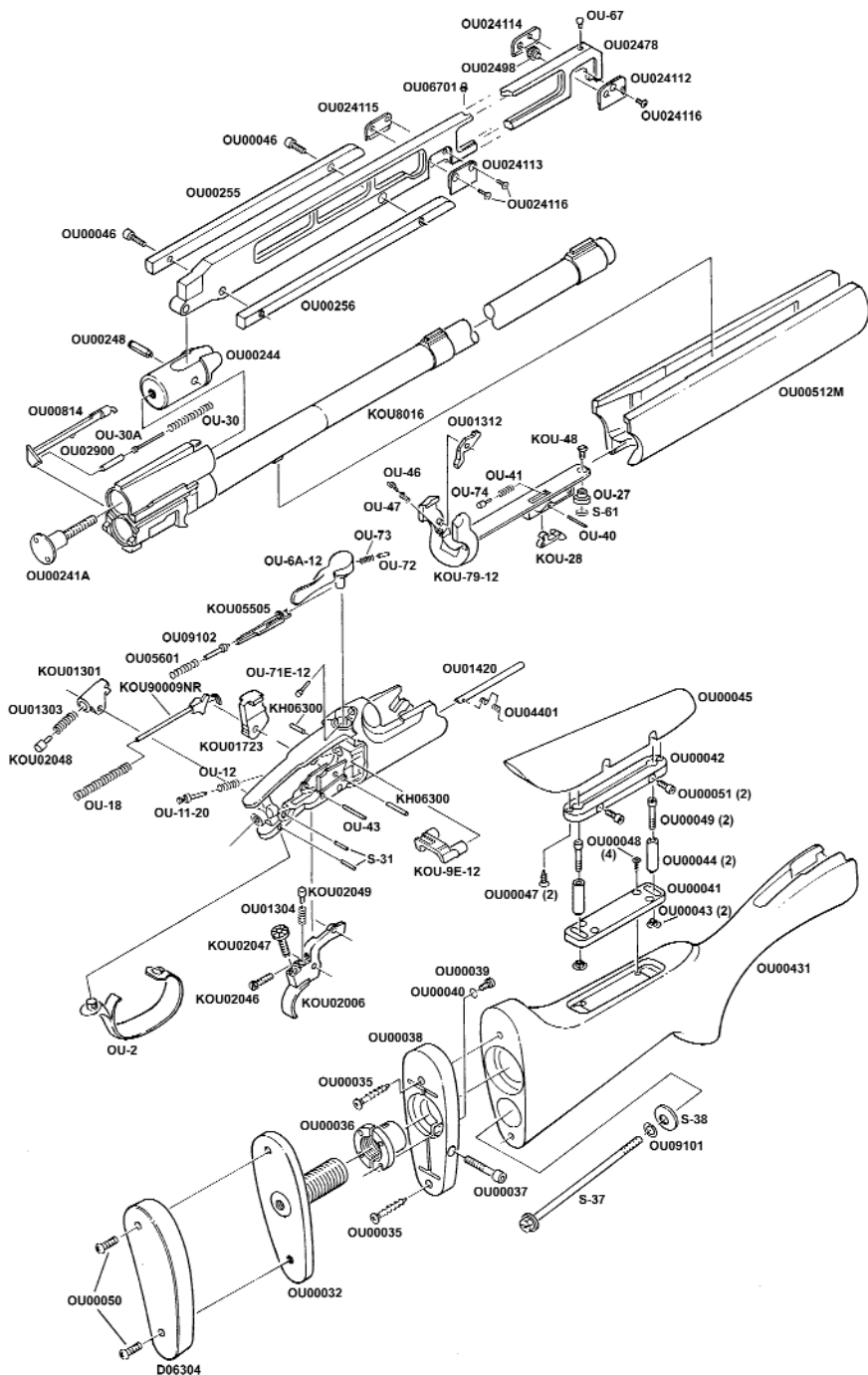
| | Part Name | Part No. | Model |
|---|--|-----------------|--------------|
| | Ejector Sear Plunger Spring | OU-47 | Trap Model |
| | Ejector Spring | OU-30 | Trap Model |
| | Ejector Spring Guide | OU-30A | Trap Model |
| * | Firing Pin | OU-11-20 | Trap Model |
| | Firing Pin Retaining Pin | KH06300 | Trap Model |
| | Firing Pin Spring | OU-12 | Trap Model |
| * | Forearm | OU00512M | Trap Model |
| | Forend Iron Escutcheon | OU-27 | Trap Model |
| | Forend Iron Escutcheon Medallion, Brass | S-61 | Trap Model |
| | Forend Iron Escutcheon Screw | KOU-48 | Trap Model |
| * | Forend Iron Assembly | KOU-79-12 | Trap Model |
| | Forend Latch Lever | KOU-28 | Trap Model |
| | Forend Latch Lever Pin | OU-40 | Trap Model |
| | Forend Latch Plunger | OU-74 | Trap Model |
| | Forend Latch Spring | OU-41 | Trap Model |
| | Front Sight, Brass Bead | OU-67 | Trap Model |
| * | Hammer | KOU01723 | Trap Model |
| | Hammer Pivot Pin | OU-43 | Trap Model |
| * | Hammer Strut Assembly (Includes KOU90009NR & OU-18) | KOU90009NRA | Trap Model |
| | Hex Key Set, Not Illustrated | OU00052 | Trap Model |
| * | Locking Bolt, Open-Sided | KOU-9E-12 | Trap Model |
| | Mainspring Lever Pivot Pin | KH06300 | Trap Model |
| | Pistol Grip Cap Medallion, Brass, Not Illustrated | S-61 | Trap Model |

| Part Name | Part No. | Model |
|---|-----------------|--------------|
| Recoil Pad, Rubber | D06304 | Trap Model |
| Stock Bolt | S-37 | Trap Model |
| Stock Bolt Lock Washer | OU09101 | Trap Model |
| Stock Bolt Washer | S-38 | Trap Model |
| * Top Lever | OU-6A-12 | Trap Model |
| Top Lever Pin & Spring Assembly (Includes OU09102 & OU05601) | OU09102A | Trap Model |
| Top Lever Spring | OU05601 | Trap Model |
| Top Lever Spring Pin | OU09102 | Trap Model |
| Top Lever Spring Strut | KOU05505 | Trap Model |
| Top Lever Trip Pin | OU-71E-12 | Trap Model |
| Top Lever Trip Plunger | OU-72 | Trap Model |
| Top Lever Trip Plunger Spring | OU-73 | Trap Model |
| Torx® Key Wrench, Not Illustrated | MPF07601 | Trap Model |
| * Trigger | KOU02006 | Trap Model |
| Trigger Adjustment Tool, Not Illustrated | OU00054 | Trap Model |
| Trigger Overtravel Detent Plunger | KOU02049 | Trap Model |
| Trigger Overtravel Detent Spring | OU01304 | Trap Model |
| Trigger Overtravel Screw | KOU02046 | Trap Model |
| Trigger Spring | OU01303 | Trap Model |
| Trigger Spring Housing | KOU01301 | Trap Model |
| Trigger Spring Plunger | KOU02048 | Trap Model |
| Trigger Weight of Pull Screw | KOU02047 | Trap Model |
| * Trigger Guard | OU-2 | Trap Model |
| Trigger Guard Retaining Pin & Trigger Stop Pin | S-31 | Trap Model |

* PARTS SO MARKED MUST BE FACTORY FITTED

RUGER® TRAP MODEL SHOTGUN

EXPLODED VIEW



THE BASIC RULES OF SAFE FIREARMS HANDLING

We believe that Americans have a right to purchase and use firearms for lawful purposes. The private ownership of firearms in America is traditional, but that ownership imposes the responsibility on the gun owner to use his firearms in a way which will ensure his own safety and that of others. When firearms are used in a safe and responsible manner, they are a great source of pleasure and satisfaction, and represent a fundamental part of our personal liberty.

Firearms do not cause accidents! Firearms accidents are almost always found to have been the result of carelessness, or ignorance on the part of the shooter of the basic rules of safe gun handling.

The following rules must be observed by gun users at all times. Safe gun handling is not just desirable, it is absolutely essential to your safety, the safety of others, and the continuation of gun ownership and sport shooting as we know it today.

1. LEARN THE MECHANICAL AND HANDLING CHARACTERISTICS OF THE FIREARM YOU ARE USING.



Not all firearms are the same. The method of carrying and handling firearms varies in accordance with the mechanical provisions for avoiding accidental discharge and the various proper procedures for loading and unloading. No person should handle any firearm without first having thoroughly familiarized himself with the particular type of firearm he is using, and with safe gun handling in general.

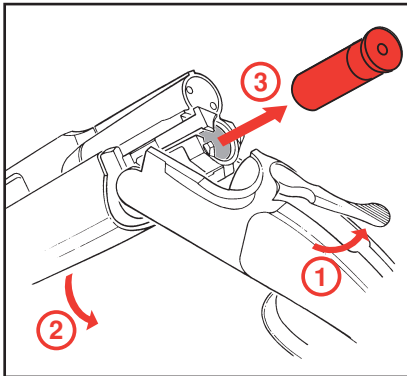
2. ALWAYS KEEP THE MUZZLE POINTED IN A SAFE DIRECTION.



Be sure of the bullet stop behind your target, even when dry-firing. Never let the muzzle of a firearm point at any part of your body or at another person. This is particularly important when loading or unloading a firearm. In the event of an accidental discharge, no injury can occur as long as the muzzle is pointing in a safe direction. A safe direction means a direction which will not permit a discharged bullet to strike a person, or to strike an object from which the bullet may ricochet.

A safe direction must take into account the fact that a bullet may penetrate a wall, ceiling, floor, window, etc., and strike a person or damage property. Make it a habit to know exactly where the muzzle of your gun is pointing whenever you handle it, and be sure that you are always in control of the direction in which the muzzle is pointing, even if you fall or stumble. Keep your finger off the trigger until you are ready to shoot.

3. FIREARMS SHOULD BE UNLOADED WHEN NOT IN USE.

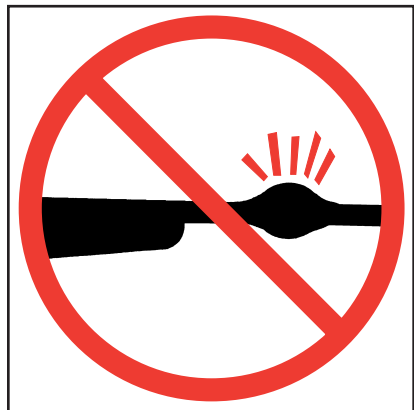


Firearms should be loaded only when you are in the field or on the target range or shooting area, ready to shoot. Firearms and ammunition should be securely locked in safes, racks or cabinets, or by using the locking device supplied with the firearm, when not in use. Ammunition should safely be stored separate from firearms. Store your firearms out of sight of visitors and children. It is the gun owner's responsibility to

be certain that children and persons unfamiliar with firearms cannot gain access to firearms, ammunition, or components.

4. BE SURE THE BARREL IS CLEAR OF OBSTRUCTIONS BEFORE SHOOTING.

Even a bit of mud, snow or excess lubricating oil or grease in the bore may cause the barrel to bulge, or even burst on firing, and can cause serious injury to the shooter and bystanders. Be sure that you are using ammunition of the proper caliber and loading for the gun you are using. If the report or recoil on firing seems weak, or doesn't seem quite right, **CEASE FIRING IMMEDIATELY**, unload your firearm, and check to be sure that no obstruction has become lodged in the barrel. Never try to shoot out an obstruction!





5. BE SURE OF YOUR TARGET BEFORE YOU SHOOT.

Don't shoot unless you know exactly where your bullet is going to strike. Be sure of the bullet stop behind your target, even when dry-firing with an unloaded gun. If you are in the field hunting, do not fire at a movement or noise. Take the time to be absolutely certain of your target before you pull the trigger.

6. WEAR SHOOTING GLASSES AND HEARING PROTECTORS WHEN YOU SHOOT.

All shooters should wear protective shooting glasses and adequate hearing protectors when shooting. Exposure to shooting noise can damage hearing, and adequate eye protection when shooting is essential.

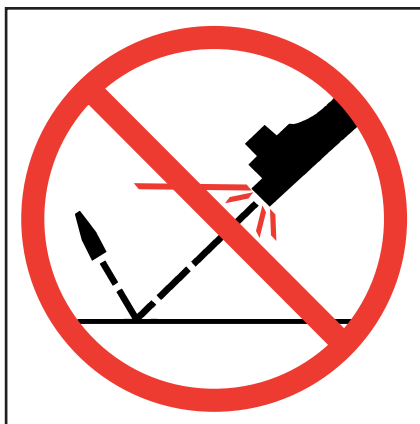


7. NEVER CLIMB A TREE OR FENCE WITH A LOADED FIREARM.

Put the firearm down carefully before climbing a fence, and unload it before climbing or descending a tree or jumping over a ditch or other obstruction. Never pull or push a loaded firearm toward yourself or another person. When in doubt, or whenever you are about to do anything awkward, unload your gun!

8. DON'T SHOOT AT A HARD SURFACE, OR AT WATER.

Bullets can glance off many surfaces like rocks or the surface of water and travel in unpredictable directions with considerable velocity.



9. NEVER TRANSPORT A LOADED FIREARM.

Firearms should always be unloaded before being placed in a vehicle. A suitable carrying case or scabbard should be used to carry an unloaded firearm to and from the shooting area.

10. AVOID ALCOHOLIC BEVERAGES WHEN SHOOTING.

Don't drink until the day's shooting is over. Handling firearms while under the influence of alcohol in any form, or medications that could affect your judgment or co-ordination, constitutes a criminal disregard for the safety of others.



A BRIEF ACCOUNT OF AN EXTRAORDINARY ACHIEVEMENT: RUGER FIREARMS

One of the few American firearms manufacturers whose management has remained unchanged since starting in business, Sturm, Ruger & Company, Inc., had its beginning in a small machine shop occupying a rented frame building in Southport, Connecticut. In January, 1949, with an initial investment of only \$50,000 and an idea, William B. Ruger and Alexander M. Sturm started production of a .22 caliber autoloading pistol—a design which was so successful that it became the cornerstone upon which one of the most comprehensive lines of sporting firearms ever made in America was established. After Alex Sturm's death in 1951, William B. Ruger continued to direct the company alone and today, as Chairman Emeritus of the Board, he continues to provide the guidance which has made this 52-year-old company a sound and successful enterprise.

Sturm, Ruger & Company, in this relatively short time, has established itself as a leading small arms design organization, developing a unique and broad line of fine quality sporting, military and police firearms to become one of the world's most famous producers of revolvers, pistols, rifles and shotguns. From 1949 thru 2001 Ruger craftsmen have built many millions of firearms.

During its five decades of growth and progress under the leadership of William B. Ruger, the company has developed a business philosophy and implemented policies which represent a constructive influence in the life of modern America. From the beginning, Sturm, Ruger & Company played a positive role in conservation efforts and has supported the interests of shooters through such groups as the National Rifle Association, National Shooting Sports Foundation, and many regional sportsmen's organizations. The company has always endeavored to market its firearms for constructive and recreational purposes, to emphasize the traditional aspects of shooting, to render meaningful public services and to encourage shooters in constructive, responsible, and safe participation in the shooting sports.

Today, Sturm, Ruger & Company is particularly mindful of those elements which have contributed to the creation of its success, and extends heartfelt thanks to its many loyal employees and customers.

A current catalog of Ruger firearms is available free upon request to
Sturm, Ruger & Co., Inc., Southport, CT 06490

WHY NO WARRANTY CARD HAS BEEN PACKED WITH THIS NEW RUGER FIREARM

The Magnuson-Moss Act (Public Law 93-637) does not require any seller or manufacturer of a consumer product to give a written warranty. It does provide that if a written warranty is given, it must be designated as "limited" or as "full" and sets minimum standards for a "full" warranty. Sturm, Ruger & Company, Inc. has elected not to provide any written warranty, either "limited" or "full", rather than to attempt to comply with the provisions of the Magnuson-Moss Act and the regulations issued thereunder. There are certain implied warranties under state law with respect to sales of consumer goods. As the extent and interpretation of these implied warranties varies from state to state, you should refer to your state statutes. Sturm, Ruger & Company wishes to assure its customers of its continued interest in providing service to owners of Ruger firearms.



STURM, RUGER & Company, Inc.
Southport, Connecticut 06490 U.S.A.
<http://www.ruger.com>

“Arms Makers For Responsible Citizens”

**A COPY OF THE INSTRUCTION MANUAL FOR ANY RUGER
FIREARM IS AVAILABLE FROM THE FACTORY FREE ON REQUEST.
THESE INSTRUCTION MANUALS CONTAIN IMPORTANT
WARNINGS WHICH MUST BE UNDERSTOOD
BEFORE USING THESE FIREARMS.**

“RUGER”, the Sturm, Ruger logo, “SINGLE-SIX”, “BLACKHAWK”, “REDHAWK”, “SECURITY-SIX”,
“SPEED-SIX”, “SERVICE-SIX”, “BEARCAT”, “OLD ARMY”, “10/22”, “MINI-14”, “MINI THIRTY”,
“RANCH RIFLE”, “M77”, “77/22”, “GP-100”, “SP101”, “P-85” and “VAQUERO”
are registered U.S. trademarks.
“77/50” is a Ruger trademark.