

# SIGARMS®



## Mauser M2

### *Handling and Safety Instructions*

#### **WARNING**

Please read and understand this owner's manual before taking your new Mauser pistol out of the box. It is vital to your safety and to the safety of others that you accurately follow the information contained in this manual, as well as the information supplied by the ammunition manufacturer. If you have any questions, please call or write:

SIGARMS Inc.  
Corporate Park  
Exeter, NH 03833  
(603) 772-2302



# *Handling and Safety Instructions*

## *US 1 – US 28*

### Congratulations

You are now the owner of one of the world's finest and most superbly engineered firearms. The Mauser M2<sup>®</sup> Semiautomatic Pistol has been designed and crafted to meet the unique requirements of concealed carry and self defense. Used with the proper ammunition and given reasonable maintenance, it will serve you dependably and well for many years.

To make sure you get the best performance and reliability from your pistol, **please read and follow the procedures outlined in this manual.** You'll notice that we place a heavy emphasis on safe firearms handling. Like any other mechanical devices, such as automobiles or power tools, high quality firearms are inherently safe unless they are handled in a careless or irresponsible manner. Always remember that you, the owner, are the ultimate firearms safety device.

You should become familiar with your pistol and its operation before using any live ammunition or actual shooting. Study the instructions carefully and make sure you understand the pistol's operating guidelines.

# Table of Contents

1	General Instructions	US 2	8	Pistol Service and Repairs	US 22
2	Safety Regulations	US 3	8.1	Cause and correction of malfunctions	US 22
3	Product Description	US 5	8.2	Safekeeping and storage of the pistol	US 24
3.1	Main parts	US 5	8.3	Shipping the pistol	US 24
3.2	Main features	US 6	9	Disposal	US 25
3.3	Scope of supply	US 6	10	Technical Specifications / Types / Accessories	US 26
4	Transporting the Pistol	US 7	11	Spare Parts List	US 27
5	Handling the Pistol	US 8			
5.1	General remarks	US 8			
5.2	Initial preparation	US 8			
5.3	Ammunition	US 8			
5.4	Loading the magazine	US 8			
5.5	Loading the pistol (ready to fire)	US 9			
5.6	Discharging a shot	US 10			
5.7	Reloading during shooting	US 11			
5.8	Unloading the pistol	US 11			
5.8.1	Unloading the pistol, magazine not empty	US 11			
5.8.2	Unloading the pistol, magazine empty, slide open	US 12			
6	Sight Correction	US 13			
6.1	Sight correction for windage	US 13			
6.2	Sight correction for elevation	US 13			
6.3	Front sight variants	US 14			
6.4	Front sight keys	US 14			
7	Maintenance of the Pistol	US 15			
7.1	Stripping the pistol	US 15			
7.2	Cleaning the pistol	US 18			
7.3	Assembling the pistol	US 19			
7.4	Verification of functions	US 20			
7.5	Care of the pistol	US 22			

This manual includes information you need to know in order to use your pistol safely and effectively. If you have any questions or comments about this pistol and its use and maintenance, or need more information about other SIG Arms products and accessories, please write or call:

SIGARMS Inc.  
Customer Service Department  
18 Industrial Drive  
Exeter, NH 03833  
Phone: 603-772-2302  
Fax: 603-772-9082  
[www.sigarms.com](http://www.sigarms.com)

Specifications subject to change without notice.

## 1 General Instructions

Be sure to read through these instructions carefully before any manipulation on this Mauser M2 pistol.

Understanding these instructions and the technically correct implementation of the information contained therein are imperative to correct preparation and safety during handling, care and maintenance of this Mauser M2 pistol. Do not use the pistol until you have fully understood all safety instructions and its handling procedures. Should you require further information, do not hesitate to contact your dealer, importer or the manufacturer.

Please observe all Federal, State & local laws and regulations governing the ownership, carrying and use of firearms.

Be aware that these pistols, like all firearms, are dangerous. Consequently, the pistol accompanying these Handling and Safety Instructions has been sold under the express understanding that the manufacturer and the importer of the pistol decline any responsibility for consequences of manipulations with or on the pistol. This applies in particular to liability for bodily harm or damage to property resulting in whole or in part from:

- discharge with criminal intent or through negligence,
- improper or careless handling,

- defective, incorrect, hand-loaded or reloaded ammunition,
- inadequate care of the pistol (e.g. corrosion, damage),
- disregard of malfunctions,
- resale in contradiction of regional legislation,
- other circumstances beyond our direct and immediate control.

These limitations apply regardless of whether liability is asserted on the basis of contract, negligence or strict liability (including any failure to warn).

The manufacturer and the importers are not liable for incidental or consequential damages such as loss of use of property, commercial loss or loss of earnings and profits.

### **California Proposition 65 Warning**

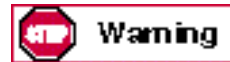
“Discharging firearms in poorly ventilated areas, cleaning firearms, or handling ammunition may result in exposure to lead and other substances known to cause birth defects, reproductive harm, and other serious physical injury. Have adequate ventilation at all times. Wash hands thoroughly after exposure.”

## 2 Safety Regulations

- ▲ Never use the pistol when under the influence of alcohol or drugs, during illness or other complaints; they can influence your judgement and reflexes.
- ▲ Always consider the pistol as loaded and unsafe until you have verified that it is not through the unloading procedure (see Sect. 5.8).
- ▲ During all manipulations, keep the muzzle of the pistol pointed in a safe direction. Safe directions are defined as areas where there are no people, other living creatures or other people's property.
- ▲ Never point the pistol at doors, window panes, walls, concrete, stones or other flat surfaces (including water). Shots can penetrate such surfaces, or be deflected into unsafe directions by them.
- ▲ Never aim at yourself or other living creatures.
- ▲ Never rely on safety mechanisms. They are never a substitute for careful and correct handling of the pistol.
- ▲ Always handle your pistol as if the safety mechanisms were defective. The best safety device is correct, well-exercised and secure handling of the pistol.
- ▲ Never shoot a pistol into which there has been ingress of water, sand, dirt or other foreign bodies.
- ▲ Never let a loaded pistol out of your hands.
- ▲ Always unload the pistol immediately after shooting, before putting it down, holstering it or handing it to another authorized person.

- ▲ Never hand over the pistol to any person who has not thoroughly familiarized himself or herself with the safety regulations and handling of the pistol by reading the accompanying instructions.
- ▲ Never leave the pistol unattended. Unauthorized persons could cause damage with it, threaten or kill other people, for which you could be held liable.
- ▲ Never store the pistol loaded, but remove the magazine and verify that there is no round in the barrel chamber by following the unloading procedure (see Sect. 5.8).
- ▲ Always keep the pistol and the ammunition in different places and ensure that neither can fall into the hands of unauthorized persons or children.

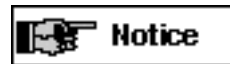
In the individual sections of these instructions, the following safety indications alert you to various risks:



Information on risks which, if not scrupulously observed, can directly lead to severe bodily harm or death.



Information on risks which, if not scrupulously observed, can lead to bodily harm, damage to property and damage to the pistol.



Information on technical requirements which, if not scrupulously observed, can lead to damage to the pistol.

**IMPORTANT**  
**THE SAFEST PISTOL IS ONE THAT IS**  
**FULLY UNLOADED.**

## The Ten Commandments of Firearms Safety

1. ALWAYS treat every gun as if it were loaded.
2. ALWAYS keep the gun pointed in a safe direction.
3. ALWAYS keep your finger off the trigger until ready to shoot.
4. ALWAYS keep the gun unloaded until ready to use.
5. ALWAYS be sure the gun is safe to operate and the barrel is clear of any obstruction.
6. ALWAYS use the proper, factory-made ammunition for your particular gun.
7. ALWAYS know your target and what is beyond it.
8. ALWAYS wear ear and eye protection when shooting.
9. NEVER use alcohol or drugs before or during handling a gun.
10. ALWAYS store guns and ammunition in separate locked containers, so they are secure and not accessible to unauthorized persons.

**BECOME FAMILIAR WITH YOUR PISTOL, UNDERSTAND THE INSTRUCTIONS FULLY BEFORE USING IT.**

## What you should know about all safety mechanisms

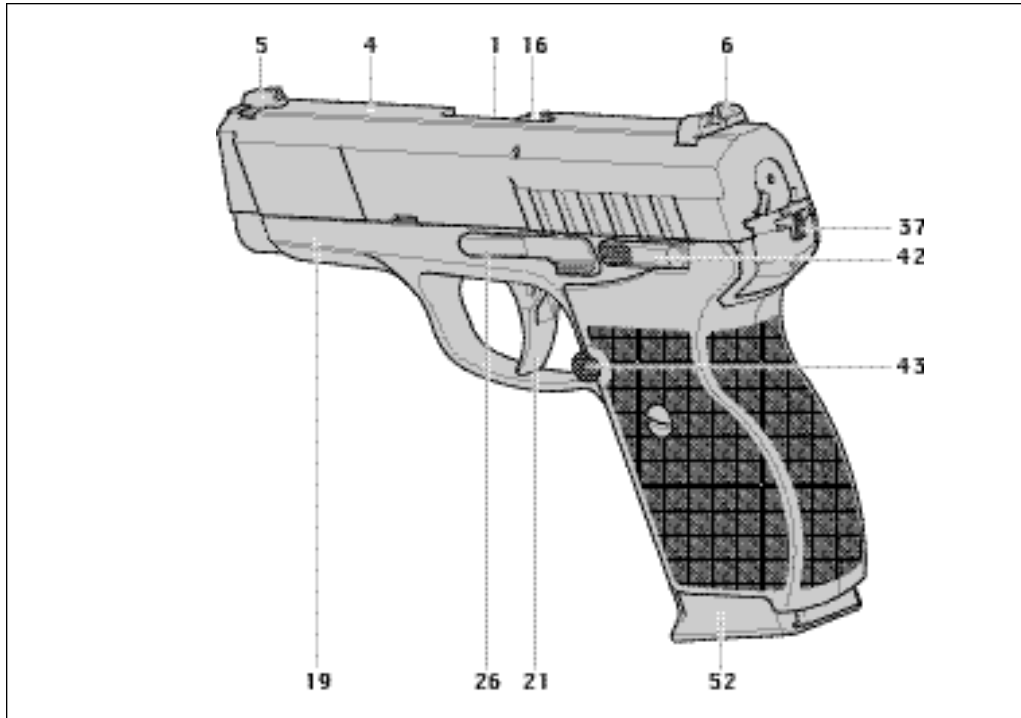
NEVER completely trust any safety mechanism. Your pistol is equipped with an effective, well designed safety mechanism. NO SAFETY MECHANISM, HOWEVER, IS A SUBSTITUTE FOR PROPER GUN HANDLING. Any safety mechanism can break down or malfunction. YOU, AND YOU ALONE, ARE THE ULTIMATE SAFETY MECHANISM.

Remember, there is no such thing as a "childproof" safety or one which can completely prevent accidental discharge from careless or irresponsible use. The best safety is proper and applied training in safe gun handling.

# Product Description

## 3 Product Description

### 3.1 Main parts



- 1 Barrel
- 4 Slide
- 5 Front sight
- 6 Rear sight
- 16 Loaded chamber indicator
- 19 Frame
- 21 Trigger
- 26 Slide catch lever
- 37 Safety lock
- 42 Control lever
- 43 Magazine catch
- 52 Magazine

Fig. 1

## 3.2 Main features

Mauser M2 pistols are modern semi-automatic pistols complying with the latest technical advances in firearms design. They operate on the principle of mechanically half-cocked recoil loading with semiautomatic reloading. The pistols utilize a striker system (no hammer) and incorporate a double action only trigger mechanism. The Mauser M2 incorporates several safety features, including a loaded chamber indicator, magazine safety disconnect (prevents activation of the firing mechanism when the magazine is removed), trigger bar disconnect (prevents out of battery firing), automatic firing pin safety, and optional external manual safety. After each shot the firing pin returns to the half-cocked position. The distinctive contrast sights in conjunction with the ergonomic grip design permit rapid, precision target acquisition and engagement. The enclosed design prevents the penetration of dirt inside the pistol.

## 3.3 Scope of supply

Included:

- 1 Pistol
- 2 Magazines
- 1 Trigger Lock
- 1 Handling and Safety Instructions (Owners Manual)
- 1 Hard Carry Case

Not included:

- Accessories (see Sect. 10)
- Spare parts (see Sect. 11)



## 4 Transporting the Pistol



- ▲ For your own safety and for the safety of others, always transport the pistol in the unloaded condition, decocked and under lock (see Sect. 5.8).
- ▲ Always carry the pistol in such a manner that, should you fall or otherwise slip, you are able to control the direction of the muzzle.
- ▲ Transport the pistol separate from the ammunition.
- ▲ Ensure that you comply with all Federal, State & local laws and regulations relating to the transport of firearms.

## 5 Handling the Pistol

### 5.1 General remarks

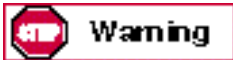
For preservation, the pistol is normally delivered with a light coating of protective grease and oils. Before first use, the pistol must be stripped, the protective coatings removed and then relubricated.

### 5.2 Initial preparation

Procedure

1. Strip the pistol (see Sect. 7.1)
2. Clean and relubricate the pistol (see Sect. 7.2)
3. Assemble the pistol (see Sect. 7.3)

### 5.3 Ammunition



- ▲ Use only ammunition of the caliber for which your pistol is chambered. The right caliber is permanently engraved on your pistol. Always use ammunition that complies with the performance standards established by the Sporting Arms and Ammunition Manufacturers' Institute, Inc. of the United States (SAAMI).
- ▲ Never use reloaded, "refurbished", hand-loaded, non-standard ammunition, or ammunition of a different caliber.
- ▲ Never use dirty, wet, corroded, bent, damaged or oiled ammunition.

▲ Never leave ammunition unattended.

▲ Always use clean ammunition and comply with the warnings and instructions that come with your ammunition.

### 5.4 Loading the magazine

Procedure

1. Place round on feeder 55, close to the magazine lips.
2. Press the round down and push it to the rear of the magazine.
3. Load the number of rounds that you intend to shoot.

Number of inserted rounds can be checked through the holes of the magazine.

**WARNING**  
**USING IMPROPER AMMUNITION OR**  
**MISUSE OF THE CORRECT**  
**AMMUNITION CAN CAUSE SERIOUS**  
**INJURY OR DEATH**

# Handling the Pistol

## 5.5 Loading the pistol (ready to fire)



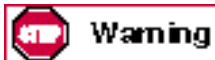
- ▲ Never load or unload the pistol inside a vehicle, inside a building or other confined space (except in a designated firing range or a safe area).
- ▲ Before loading, always wipe off any excess grease and oil and check that there is no obstruction in the bore of the barrel 1.
- ▲ Always keep the muzzle of the pistol pointed in a safe direction.
- ▲ Do not place your finger on trigger 21, but outside of the trigger guard.
- ▲ Do not load the pistol until immediately before shooting.
- ▲ Never rely on safety mechanisms. They are never a substitute for careful and correct handling of the pistol.
- ▲ Never let a loaded pistol out of your hands.

## Procedure

1. Point the pistol in a safe direction.
2. Insert full magazine 52 and check that it engages.
3. Release pistol safety (external safety models only).
4. Draw back slide 4 to the stop and allow it to fly forward.
  - The pistol is loaded and ready for firing with half-cocked (double action only) trigger.
  - See also loaded chamber indicator.

# Handling the Pistol

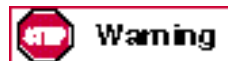
## 5.6 Discharging a shot



- ▲ Ensure that the target and the environment allow shots to be fired without danger.
- ▲ When discharging shots, ensure that neither your fingers, hands or any other part of the body are located in front of, adjacent to, or over the barrel muzzle or the ejector port.
- ▲ Never allow other persons to stand beside you where they might be struck by ejected cartridge cases.
- ▲ Always wear ear protection and safety glasses when shooting. Alert bystanders to the importance of wearing ear protection.
- ▲ Immediately before firing set the safety catch 37 to position F (external safety models only).
- ▲ Immediately stop shooting and unload the pistol (see Sect. 8.1) if you suspect that a round has not been chambered properly, a case is jammed, a bullet is lodged in the bore, or a discharge sounded or felt weak or abnormal.
- ▲ Never attempt to dislodge a blockage by firing another round.
- ▲ Always comply with the warnings and instructions that come with your ammunition.

### Procedure

1. Aim the pistol at a safe target.
2. Release pistol safety (external safety models only).
3. Place finger on trigger 21 and pull back trigger 21 to discharge the shot.
4. Keep the pistol aimed at the target and fire further shots as required.
5. Remove magazine and unload the pistol (see Sect. 5.8). If the pistol has been fired until the magazine is empty, slide 4 will be caught in the open position. If firing is to continue, reload the pistol (see Sect. 5.7).



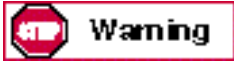
- ▲ After every shot the pistol is in the half-cocked state. Refer to section 5.8 when you are finished firing the pistol.
- ▲ Ensure you fully understand and adhere to the procedures in section 5.8 before performing any maintenance on the pistol (Chapter 7).

**IMPORTANT**  
**THE SAFEST PISTOL IS ONE THAT IS**  
**FULLY UNLOADED.**

# Handling the Pistol

## 5.7 Reloading during shooting

The slide is caught in the open position.



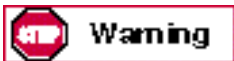
- ▲ Never let the pistol out of your hands.
- ▲ Keep the pistol pointed in a safe direction.

Procedure

1. Remove the empty magazine.
2. Insert full magazine and ensure that it engages.
3. Thumb down slide catch lever 26 or draw back slide 4 to the stop and allow it to fly forward (see Sect. 5.5).
  - The pistol is loaded and ready to fire.

## 5.8 Unloading the pistol

### 5.8.1 Unloading the pistol, magazine not empty



- ▲ Never let the pistol out of your hands before it is unloaded and set on safe.
- ▲ The pistol is loaded, a round is located in the chamber of the barrel.

- ▲ Perform the unloading cycle from the rear of the pistol.
- ▲ Keep your finger away from the trigger.
- ▲ Never place your hand over the ejection port of the slide.

Procedure

1. Keep the muzzle of the pistol pointed in a safe direction.
2. Depress magazine catch 43 and remove the magazine (Fig. 2).
3. Release pistol safety (external safety models only).
4. Draw back slide 4 to the stop and thumb up slide catch lever 26. The round will be ejected and the slide 4 will lock in the open position, exposing the chamber.

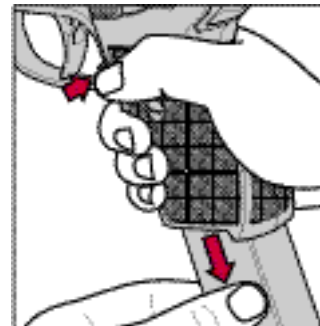


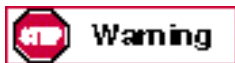
Fig. 2

# Handling the Pistol

5. Check visually and physically that the round was ejected and that no other round is chambered (Fig. 3).
6. Depress slide catch lever 26. Slide 4 will be released forward.
7. The loaded chamber indicator 16 shows there is no cartridge in the chamber.
8. Pull the trigger 21 to fully decock the pistol.
9. Move the safety 37 to position S (external safety models only).
10. Empty magazine.
11. Pick up and clean ejected round.

The pistol is unloaded and decocked. It must be cleaned after every shooting session (see Sect. 7).

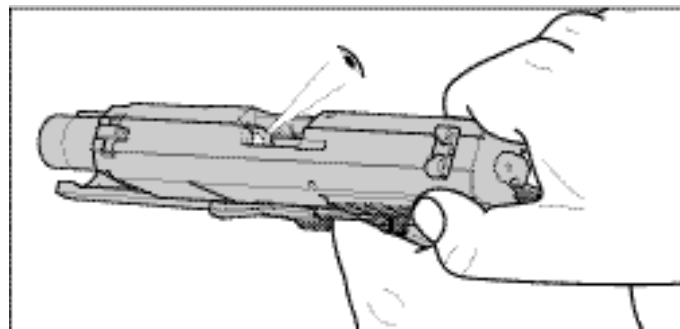
## 5.8.2 Unloading the pistol, magazine empty, slide open



- ▲ The pistol must not be put down and out of your hand until the magazine is removed and the pistol is unloaded and, for external safety models, set on safe.

## Procedure

1. Keep the muzzle of the pistol pointed in a safe direction.
2. Depress magazine catch 43 and remove the magazine (see Fig. 2, page 11).
3. Check visually and physically that no round is chambered (Fig. 3).

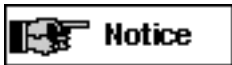


*Fig. 3*

4. Depress slide catch lever 26. Slide 4 will be released forward.
5. The loaded chamber indicator shows that there is no cartridge in the cartridge chamber.
6. Pull trigger 21 to fully decock the pistol.
7. Move the safety 37 to position S (external safety models only).

The pistol is unloaded, decocked and set on safe.

## 6 Sight Correction

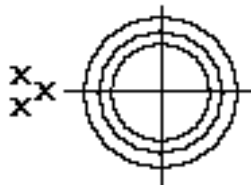


▲ Any adjustment to sights should only be done on an unloaded pistol, by an armorer, gunsmith or other qualified person. Special tools (see Sect. 6.4) are required for this task.

### 6.1 Sight correction for windage

Shifting the rear sight 6  
Shifting the rear sight 6 by 0.02" to the right moves the point of impact by 3" to the right at 25 yard range.

Shifting the front sight 5  
Shifting the front sight 5 by 0.02" to the left moves the point of impact by 3" to the right at 25 yard range.



*Fig. 4,  
point of impact left*

### 6.2 Sight correction for elevation

Changing the front sight 5  
Changing the front sight 5 for a higher one (one front sight increment) alters the point of impact by 1" lower at 25 yard range.



*Fig. 5,  
point of impact high*

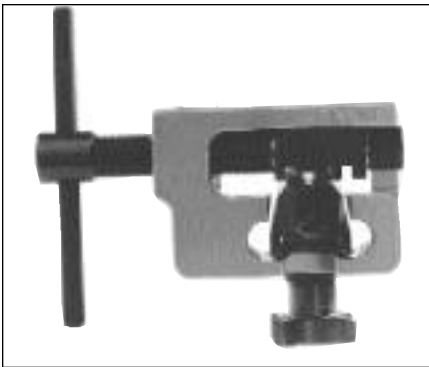
# Sight Correction

## 6.3 Front sight variants

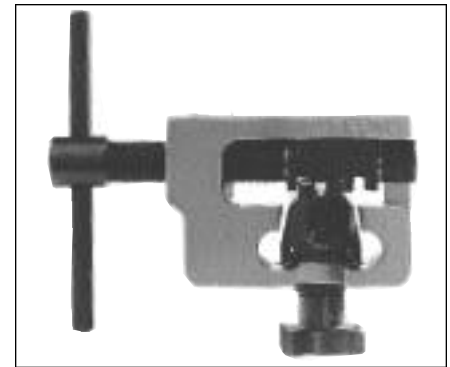
### Front sight variants

Number	05	06	07	08	09
Height	6.01 mm	5.88 mm	5.74 mm	5.60 mm	5.46 mm
	.235"	.230"	.225"	.220"	.215"

## 6.4 Front and rear sight adjustment tool.



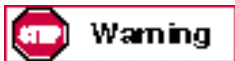
*Fig. 6, Combined front & rear sight adjustment tool, from front.*



*Fig. 7, Combined front & rear sight adjustment tool, from rear*



## 7 Maintenance of the Pistol



- ▲ The magazine must be removed from the pistol.
- ▲ Before stripping your pistol for cleaning, ensure once again that it is unloaded (see Sect. 5.8).
- ▲ Grasp slide 4 with your hand (fig. 8) not your fingers.

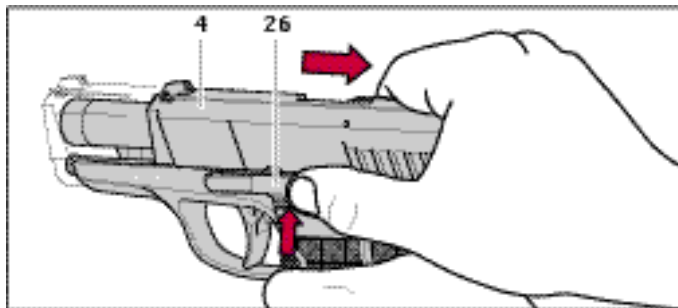


Fig. 8

### 7.1 Stripping the pistol

1. Unload the pistol (see Sect. 5.8).
2. Release pistol safety (external safety models only).
3. Draw back the slide 4 to stop and hold it in the opened position by pressing up the slide catch lever 26 (Fig. 8).
4. Check that no round is chambered (see Fig. 3, page 12).
5. Rotate control level 42 clockwise into its vertical position.
6. With the right hand grasp the grip and slide. Press in the slide catch lever 26 from the right and pull it out from the left (Fig. 9).

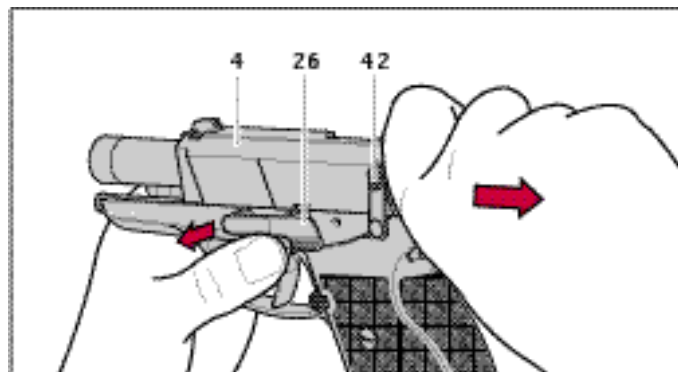


Fig. 9

# Maintenance

7. Slowly ease the slide 4 forwards with your hand until the recoil spring unit 2 is released (Fig. 10).
8. Now slip the complete assembly (slide 4, barrel 1, recoil spring unit 2) forward.
9. Press the recoil spring unit 2 forward, carefully lift it and remove it from the slide 4 (Fig. 11).



- ▲ Recoil spring unit 2 is compressed. Uncontrolled removal of recoil spring unit 2 can cause it to jump away. When stripping, control decompression of the preloaded recoil spring unit 2 with your hand.

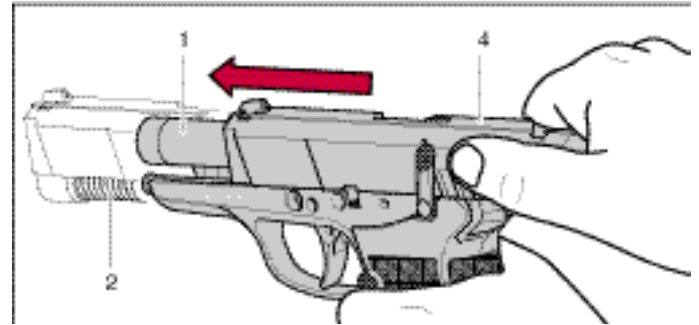


Fig. 10

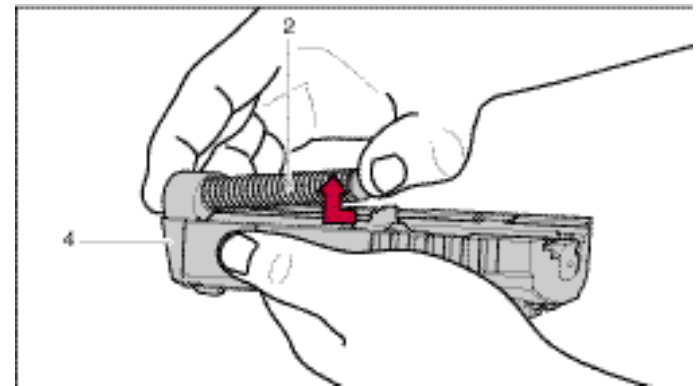


Fig. 11

10. Remove barrel 1 from slide 4 (Fig. 12).

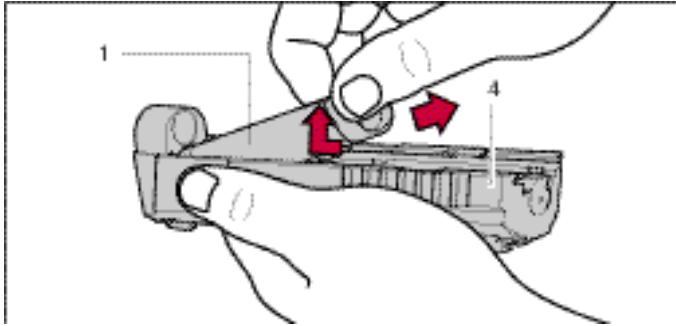
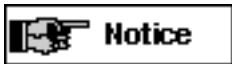
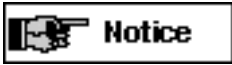


Fig. 12



- ▲ This level of stripping is sufficient to allow a thorough cleaning after shooting.
- ▲ Further dismantling of the pistol may only be carried out by qualified armorers and gunsmiths.
- ▲ Further disassembly may result in the loss of components and the voiding of the factory warranty.

## 7.2 Cleaning the pistol



- ▲ Never clean barrel 1 from the muzzle end and do not use steel wire brush as it can destroy the smooth surface of the bore. Use a suitable cleaning rod and brush of matching caliber (see Sect. 10).
- ▲ Solvents can be harmful to the surface finish of the pistol. Read the manufacturer's warnings and instructions before using solvents or cleaners.
- ▲ Use only solvents, cleaners and lubricants specifically designed for firearms.

### Procedure

1. Treat the cleaning brush with gun solvent and insert it into barrel 1 via the chamber. Use brush to carefully remove all powder residues and dirt in the barrel 1 and chamber.
2. Wipe powder residues and solvent from the barrel bore and chamber with cleaning patches.
3. Clean external surfaces of barrel 1 with a brush dipped in gun solvent.
4. Clean the metal guide in the frame 19, the inside and outside surfaces of the slide 4, the locking insert 20 and recoil spring unit 2 with a brush or rag. Then lightly lubricate with a treated cloth.
5. Lightly lubricate the inside and outside of the barrel.

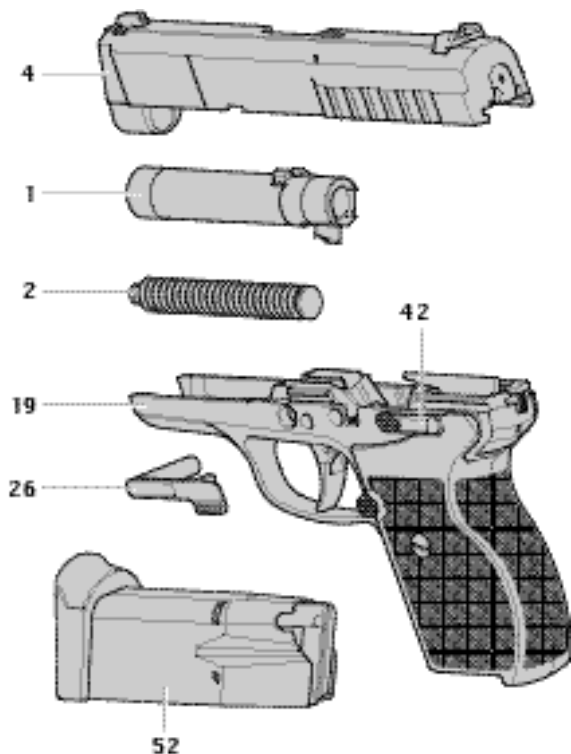


Fig. 14, Pistol dismantled for cleaning

## 7.3 Assembling the pistol

### Procedure

1. Check that there is no foreign matter inside the pistol.
2. Insert barrel 1 into the slide 4 with the control lug facing down.
3. Insert recoil spring unit 2 into the slide 4 and barrel lug



- ▲ When recoil spring unit 2 is inserted into slide 4, it becomes preloaded. If the recoil spring unit 2 is not carefully installed in slide 4, it can fly out and injure you or someone in your vicinity.
4. Turn control lever 42 into its horizontal position.
  5. Push the entire assembly onto the grip frame 19 from the front, pull back to the rear position and then ease forwards again till the recoil spring unit 2 is uncompressed.
  6. Push in slide catch lever 26 horizontally from the left until it is up against the grip frame 19.

7. Hold the grip frame 19 with the right hand, pull back the slide 4 to its rear position with the left hand. Press slide catch lever 26 up and in till it "clicks" into place (Fig. 15).

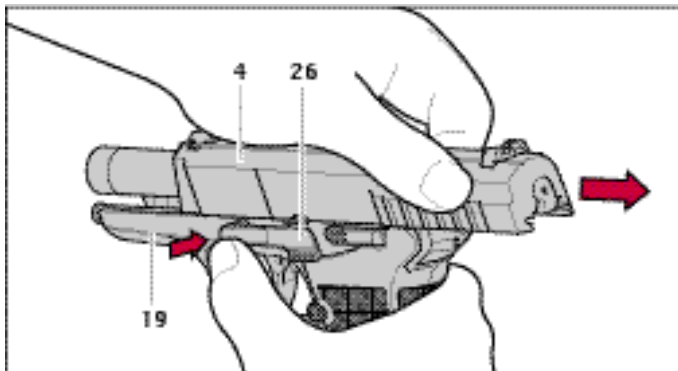
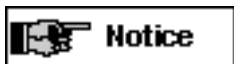


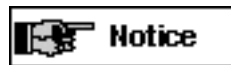
Fig. 15

8. Follow the slide 4 forwards with the hand.
9. Pull back trigger 21 so that the pistol is in its fully decocked position.
10. Pistol set on safe (external safety models only).



▲ The pistol is unloaded, decocked and set on safe.

## 7.4 Verification of functions



- ▲ Verification of functions must be conducted on the assembled pistol:
- to identify causes of malfunction,
  - after completion of repairs
  - and after each cleaning and assembly of the pistol.

### Procedure

1. Remove the magazine, unload and clear the pistol (see Sect. 5.8) and, for external safety models, remove safety.
2. Check the strength of recoil spring unit 2 and the smoothness of the slide 4 action.
  - Draw back slide 4 to the stop and release it to fly forward.
  - Check that slide 4 moves forward with sufficient energy and that it locks up.
  - Repeat the verification test.

3. Check manual safety and trigger (external safety models).
  - Insert empty magazine.
  - Move safety lock 37 to position S. Pull trigger 21 fully.
  - Check whether trigger 21 is locked.
  - Move safety lock 37 to position F and pull trigger 21 fully.
  - Check whether firing pin 9 is cocked and trips audibly after about .6" trigger movement.
4. Check trigger interruption.
  - Remove magazine.
  - With trigger 21 pulled fully back, pull back slide 4 to stop and release. Do not release trigger 21.
  - Insert empty magazine and release trigger 21.
  - Check whether trigger bar 22 is reengaged and whether the firing pin 9 is released when the trigger is pulled again.
5. Check magazine catch and magazine safety disconnect.
  - Remove magazine.
  - Pull back slide 4 as far as it will go and release it. Pull trigger 21 fully.
  - Make sure that the firing pin 9 has not tripped.
  - Insert empty magazine and pull trigger 21 fully.
  - Check whether firing pin 9 has tripped.
6. Check slide catch lever 26.
  - Draw back slide 4 to the stop and release it.
  - Check that slide 4 remains caught in its rearmost position.
  - Depress slide catch lever 26.
  - Check that slide 4 is released and moves forward with sufficient energy.
  - Remove magazine.
7. Inspect magazine.
  - Check condition of magazine tube 52 for signs of damage or dirt (lips and floorplate).
  - Check that magazine floorplate 56 is properly secured.
  - Check free movement and spring action of feeder 55.
  - Check smooth insertion of magazine into frame 19.
  - Check magazine catch 43 for clean engagement and release.
8. Inspect external appearance of the pistol.
  - Check front sight 5, rear sight 6, grip plates 49/50 for damage and dirt.
  - Check that front sight 6, rear sight 5 and grip plates 49/50 are firmly secured.

## 7.5 Care of the pistol



- ▲ Always keep your pistol in immaculate condition and in good working order.
- ▲ Always clean your pistol after use.
- ▲ Never modify or repair parts of your pistol yourself.
- ▲ Have your pistol checked once every 12 months by a qualified gunsmith or armorer because defects, wear, corrosion, etc. are not always visible from the outside.
- ▲ For repairs or service work, however, we recommend that you return your pistol to the manufacturer who always holds a full range of replacement parts in stock.
- ▲ If you order spare parts without returning the pistol, you are responsible for ordering the correct part and its correct fitting by a qualified gunsmith or armorer.



- ▲ The manufacturer and importer cannot be held liable for faults in the pistol or malfunctions if the pistol has been modified or non-original parts have been fitted by third parties.

## 8 Pistol Service and Repairs

### 8.1 Cause and correction of malfunctions

Pistol maintenance (cleaning and inspection) according to the instructions can prevent malfunctions. Should, nevertheless, a malfunction occur during shooting, proceed as follows:



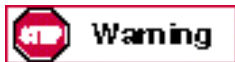
- ▲ Hold pistol pointed in the firing direction (safe direction) and keep your finger off trigger 21 while you carry out the operations described in the following.
  1. Remove and safeguard the magazine.
  2. Release pistol safety (external safety models).
  3. Draw back slide 4 and lock it in the open position by thumbing up slide catch lever 26.
  4. Verify (visually or with a tool) that there is no bullet, round, case or foreign body in the barrel bore or chamber (see Fig. 3, page US 12). If a projectile is lodged in the bore, strip the pistol (see Sect. 7.1) and have the blockage removed with a suitable tool by a qualified gunsmith.
  5. Remove all rounds, cases or foreign bodies. Clean, lubricate and assemble the pistol (see Sect. 7.2/7.3).
  6. Have the pistol inspected by an armorer or gunsmith.



# Service and Repairs

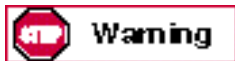
Assembly/Malfunction	Potential Cause	Potential Remedy
Ammunition feed: No round chambered.	Magazine not properly inserted, deformed or dirty.	Insert magazine properly or replace it.
Slide: Slide does not close properly.	Pistol or rounds dirty or too heavily greased.	Strip, clean and lubricate pistol (see Sect. 7.1–7.3); clean or replace ammunition.
	Pistol defective.	Repair by manufacturer.
Case ejection: Spent case sticks in chamber or jams in ejection port.	Recoil insufficient because of fouling.	Strip, clean and lubricate pistol (see Sect. 7.1–7.3)
	Underloaded ammunition.	Replace ammunition.
	Pistol defective.	Repair by manufacturer.
Misfire: The trigger 21 was pulled, no discharge.	Firing pin sticking in its guide.	Strip, clean and lubricate pistol (see Sect. 7.1–7.3). Have pistol checked by armourer.
	Defective ammunition.	Manually cycle slide to chamber new round.
	Pistol defective.	Repair by manufacturer.

## 8.2 Safekeeping and storage of the pistol



- ▲ Always store your pistol unloaded and in cleaned condition.
- ▲ Store your pistol separate from its ammunition and under lock and key. The pistol and ammunition must not be accessible to children and other inexperienced or unauthorized persons.

## 8.3 Shipping the pistol



- ▲ Familiarize yourself fully with Federal, State & local laws governing the shipping and transportation of firearms.

When you return a pistol to the SIGARMS Inc. Service Department, here's what to do:

1. Make sure that the chamber and magazine(s) are unloaded and that no ammunition is included.
2. Package the firearm securely to prevent damage. Enclose a letter which includes your name, street address, daytime phone number, pistol model and serial number, and a detailed description of the problem you have experienced or

the work you want performed. With the exception of extra magazines, do not include cases, scopes, mounts or other accessories.

If repairs are to be done under warranty, enclose copy of sales receipt.

3. Generally, an individual may ship firearms to the manufacturer for repair or service. Some states and localities, however, prohibit this. If you live in such an area, the firearms must be shipped by and returned to a Federally Licensed Firearms Dealer.

4. Individuals must ship handguns via UPS. Federal law prohibits persons who do not possess a Federal Firearms License from shipping a handgun via the U.S. Postal Service. (Note: Any shipment of firearms outside of the USA borders is subject to the valid law of the specific country, which you must strictly follow.)

5. Ship your firearms insured and prepaid (we don't accept collect shipments) to:

SIGARMS Inc.  
Attention: Service Department  
18 Industrial Drive  
Exeter, NH 03833  
USA

## 9 Disposal

- Strictly observe any current Federal, State & local legislation governing the disposal of handguns.
- Provided this is not contrary to the above legislation, we recommend shipping the pistol to the address listed under Sect. 8.3 for disposal.
- When shipping the pistol, strictly observe the instructions listed under Sect. 8.3.

# Technical Specifications / Types / Accessories

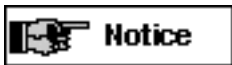
## Technical Specifications

Caliber	.45 ACP	.40 S&W
Length, overall	6.85"	6.85"
Height, overall	5.04"	5.04"
Width, overall	1.34"	1.34"
Barrel length	3.54"	3.54"
Rifling lead	1 in 16"	1 in 15"
No. of grooves	6	6
Sight base	5.7"	5.7"
Weight, excl. magazine	28.9 oz	29.3 oz
Magazine weight, empty	3.4 oz	3.4 oz
Trigger pull DAO	8.8 lbs	8.8 lbs
Magazine capacity/Rounds	8	10

## Accessories

- Spare magazines
- Cleaning kit
- Front sight
- Rear & Front Sight Adjustment Tool

# Spare Parts List



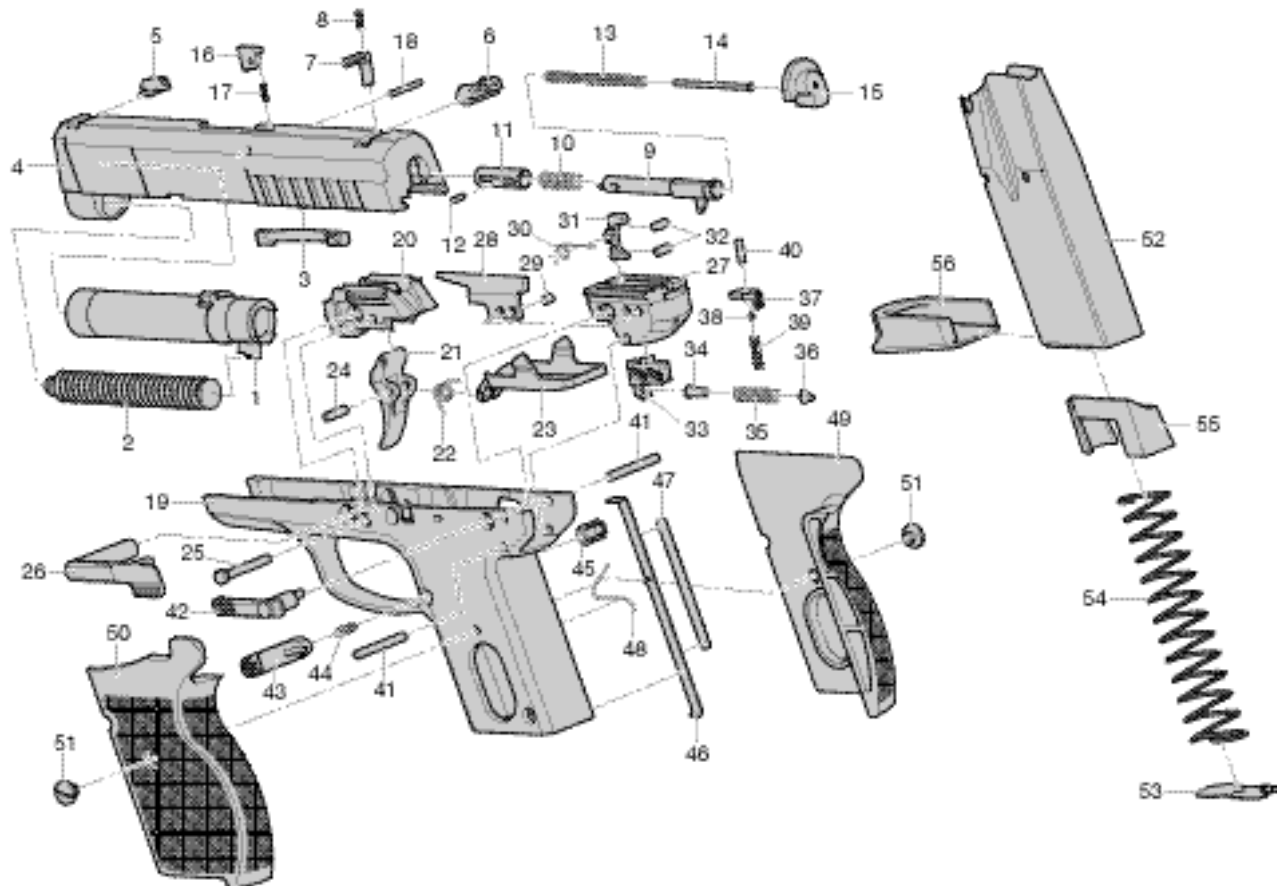
▲ For the accompanying figure to the list, see page US 28.

Essential information when ordering spare parts

- Pistol model (caliber, designation)
- Pistol serial number
- Item number
- Part designation

Item	Designation	Item	Designation	Item	Designation
1	Barrel	19	Frame	40	Safety lock bolt
2	Recoil spring unit	20	Locking insert	41	Rear insert bolt
3	Extractor	21	Trigger	42	Control lever
4	Slide	22	Trigger spring	43	Magazine catch
5	Front sight	23	Trigger bar	44	Magazine catch spring
	05/06/07/08/09	24	Trigger bolt	45	Magazine catch lock
6	Rear sight	25	Locking insert bolt	46	Magazine safety
7	Safety lock	26	Slide catch lever	47	Spring plate to magazine safety
8	Safety lock spring	27	Rear insert	48	Magazine safety spring
9	Firing pin	28	Ejector	49	Grip plate, right
10	Firing pin reset spring	29	Ejector bolt	50	Grip plate, left
11	Bushing	30	Safety lever spring	51	Grip plate screw
12	Pin	31	Safety lever	52	Magazine tube
13	Firing pin spring	32	Safety lever bolt	53	Floorplate insert
14	Firing pin spring guide	33	Catch	54	Magazine spring
15	End cover	34	Long spring bolt	55	Feeder
16	Loaded chamber indicator	35	Catch reset spring	56	Magazine floorplate
17	Loaded chamber indicator spring	36	Short spring bolt		
18	Loaded chamber indicator pin	37	Safety lock		
		38	Stop ball		
		39	Stop ball spring		

# Spare Parts List



## Warranty Statement

Based on Magnuson-Moss Warranty Act, SIGARMS Inc. offers no express warranty on their product line. However, SIGARMS Inc. recognizes its obligations concerning service to owners of SIGARMS products. SIGARMS Inc. stands behind its products and will continue to provide service to their product line as they have over the years. SIGARMS Inc. products will be serviced for a period of one year from date of retail purchase for defects in materials or workmanship, at no charge to the purchaser. Be sure to retain your sales slip as proof of purchase date when making a claim.

This instruction manual should always accompany this pistol and be transferred with it upon change of ownership.

### Service Policy

If you have questions concerning the performance or servicing of your pistol,  
please write or call:

SIGARMS Inc.  
Attention: Service Department  
18 Industrial Drive  
Exeter, NH 03833 USA  
Phone: 603 772-2302 Fax: 603 772-9082

IF YOU DO NOT UNDERSTAND THE INSTRUCTIONS FOR OPERATING YOUR PISTOL, IT IS YOUR  
RESPONSIBILITY TO CALL OUR SERVICE DEPARTMENT: Phone # 603 772-2302  
BEFORE USING YOUR FIREARM.

# SIGARMS®

PRECISION FIREARMS

*Be aware of those around you.  
If their actions are not in keeping with  
safe gun handling procedures,  
TELL THEM.*

/ SIGARMS Inc.  
Corporate Park  
18 Industrial Drive  
Exeter NH 03833  
USA  
Telefon +1 603 772 23 02  
Telefax +1 603 772 90 82  
Internet [www.sigarms.com](http://www.sigarms.com)

## **IMPORTANT:**

**Do not discard. Keep this manual with your firearm.  
Upon change of ownership, transfer this manual  
with the firearm.**