

## V-1090 FLEXHORN 45 OHM TALKBACK HORN

### INTRODUCTION

The Valcom V-1090 Flexhorn is a 45 Ohm talkback horn designed to be used with Valcom "handsfree" talkback control units. This horn is weather proof and can be used indoors or outside in environments ranging from -20 to +55 degrees C.

|                 |       |
|-----------------|-------|
| Model V-1090-GY | Gray  |
| Model V-1090-BG | Beige |
| Model V-1090-W  | White |

### CONNECTIONS

|       |   |        |
|-------|---|--------|
| White | - | Tip/A  |
| Black | - | Ring/B |

### DIMENSIONS/WEIGHT

- 6.8"H x 8.3"W x 3.3"D  
(17.3cm H x 21.1cm W x 8.4cmD)
- 2 lbs. (.91 kg)

### MOUNTING

#### FLUSH MOUNT

Using the template packaged with the speaker, draw the speaker outline on the wall to be cut. Make appropriate wiring connections and test the speaker for operation. Using appropriate mounting screws (not furnished) drill and mount the flange as shown.

#### UNIVERSAL BRACKET

Loosen or separate the universal bracket leaves by loosening or removing the handle and hardware. Using the back leaf as a template, mark the wall through the mounting holes, drill and mount to the wall using appropriate screws (not furnished) or mount directly to a junction box. Mount the T-bracket to the back of the horn as shown using the (2) 1/2" screws provided.

#### "C" CLAMP FOR "I" BEAM MOUNTING

A "C" clamp is provided with the horns to allow mounting to a beam. Place the bolt through the hole in the bottom of the base to secure the "C" clamp to the beam. It is suggested that the horn be mounted to the underside of the "I" beam to provide the maximum of



positioning adjustments. Mount "C" clamp with (2) 1/2" screws provided.

### TECHNICAL ASSISTANCE

When trouble is reported, verify the unit is properly connected and there are no broken connections leading to this unit. Ascertain volume control is turned up.

Assistance in troubleshooting is available from the factory. When calling, you should have a VOM and a test set and be calling from the job site. Call (540) 427-3900 and ask for Technical Support, or call (540) 427-6000 for Valcom 24-Hour Automated Support or visit our website at <http://www.valcom.com>.

Valcom equipment is not field repairable. Valcom, Inc. maintains service facilities in Roanoke, VA. Should repairs be necessary, attach a tag to the unit clearly stating company name, address, phone number, contact person, and the nature of the problem. Send the unit to:

**Valcom, Inc.**  
**Repair and Return Dept.**  
**5614 Hollins Road**  
**Roanoke, VA 24019-5056**

| <b>TROUBLESHOOTING CHART</b>     |                                                                                               |
|----------------------------------|-----------------------------------------------------------------------------------------------|
| <b>PROBLEM</b>                   | <b>PROBABLE CAUSE AND CORRECTION</b>                                                          |
| No sound in page mode.           | - Check tip and ring for audio at speaker.<br>- Check tip and ring for audio at control unit. |
| Low sound in page mode.          | - Check volume controls at page control.                                                      |
| Poor listening in talkback mode. | - Check talkback volume control at page control. Set control where audio is clearly audible.  |

### **VALCOM LIMITED WARRANTY**

Valcom, Inc. warrants its products to be free from defects in materials and workmanship under conditions of normal use and service for a period of one year from the date of shipment. The obligation under this warranty shall be limited to the replacement, repair or refund of any such defective device within the warranty period, provided that:

1. inspection by Valcom, Inc. indicates the validity of the claim,
2. the defect is not the result of damage, misuse, or negligence after the original shipment.
3. the product has not been altered in any way or repaired by others and that factory sealed units are unopened (A service charge plus parts and labor will be applied to units defaced or physically damaged),
4. freight charges for the return of products to Valcom are prepaid,
5. all units 'out of warranty' are subject to a service charge. The service charge will cover minor repairs (Major repairs will be subject to additional charges for parts and labor).

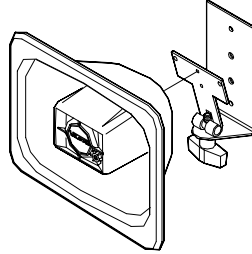
**This warranty is in lieu of and excludes all other warranties, expressed or implied, and in no event shall Valcom, Inc. be liable for any anticipated profits, consequential damages, loss of time or other losses incurred by the buyer in connection with the purchase, operation, or use of the product.**

This warranty specifically excludes damage incurred in shipment. In the event a product is received in damaged condition, the carrier should be notified immediately. Claims for such damage should be filed with the carrier involved in accordance with the F.O.B. point.

Headquarters:  
Valcom, Inc.  
1111 Industry Avenue  
Roanoke, VA 24013  
Phone: (540) 427-3900  
FAX: (540) 427-3517

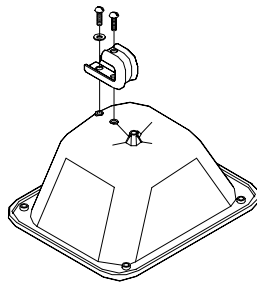
In Canada  
CMX Corporation  
35 Van Kirk Drive #11 and 12  
Brampton, Ontario L7A1A5  
Phone: (905) 456-1072  
FAX: (905) 456-2269

UNIVERSAL BRACKET

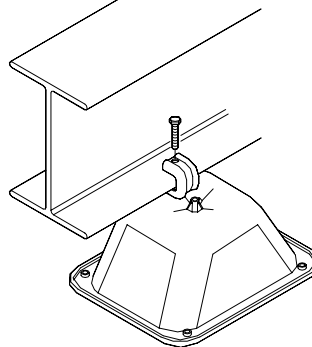


OR SURFACE MOUNTED WITH A UNIVERSAL MOUNTING BRACKET

"C" CLAMP FOR "I" BEAM MOUNTING

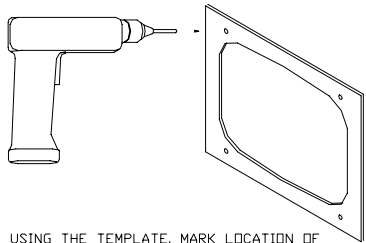


ATTACH CLAMP TO HORN

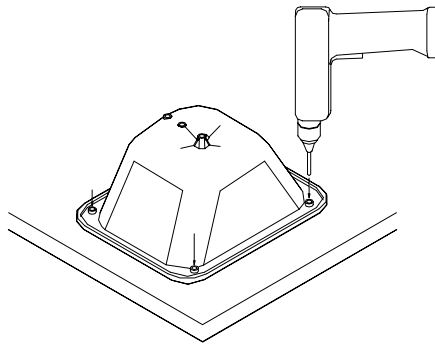


ATTACH FLEXHORN TO BEAM

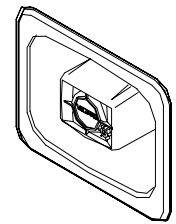
USING MOUNTING SCREWS:



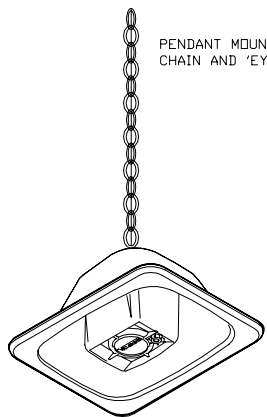
USING THE TEMPLATE, MARK LOCATION OF OPENING AND MOUNTING HOLES ON WALL. DRILL HOLES APPROPRIATE TO YOUR MOUNTING HARDWARE AND CUT OUT THE OPENING.



HOLDING FLEXHORN FIRMLY AGAINST A FLAT SURFACE, DRILL THROUGH EACH MOUNTING BOSS AS SHOWN

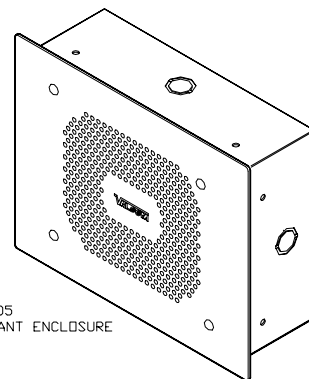


FLUSH MOUNTED IN A STUD WALL INSTALLED WITH MOUNTING SCREWS OR CONSTRUCTION CEMENT



PENDANT MOUNTING WITH OPTIONAL CHAIN AND 'EYE' SCREW

OTHER MOUNTING OPTIONS:



OPTIONAL V-9805 VANDAL RESISTANT ENCLOSURE