

**Robin Industrial Engines®**

# **PARTS MANUAL**

**Model**

**DY30**

1193P230



**ROBIN AMERICA, INC.**  
**ROBIN TO WISCONSIN ROBIN**  
**ENGINE MODEL CROSS REFERENCE LIST**

ROBIN

WISCONSIN ROBIN

SIDE VALVE

EY08	W1-080
EY15	W1-145
EY15V	W1-145V
EY20	W1-185
EY20V	W1-185V
EY23	W1-230
EY28	W1-280
EY35	W1-340
EY40	W1-390
EY45V	W1-450V
EY21	EY21W
EY44	EY44W
EY18-3	EY18-3W
EY25	EY25W
EY27	EY27W

OVERHEAD VALVE

EH11	W01-115
EH12	W01-120
EH15	W01-150
EH17	W01-170
EH21	W01-210
EH25	W01-250
EH30	W01-300
EH30V	W01-300V
EH34	W01-340
EH34V	W01-340V
EH43V	W01-430V

TWO CYCLE

EC13V	WT1-125V
-------	----------

DIESEL

DY23	WRD1-230
DY27	WRD1-270
DY30	WRD1-300
DY35	WRD1-350
DY41	WRD1-410

## HOW TO USE THIS PARTS CATALOG

All Robin Industrial Engines have a Production number to identify their specification. The Production number is a 15 digit, alphanumeric number. The first 11 digits are classified as the specification number of the engine. The last 4 digits are the manufacturing code. An example is shown below:

(PRODUCTION NUMBER)	
<u>EY400DD1650</u>	<u>XXXX</u>
(SPECIFICATION #)	(CODE)

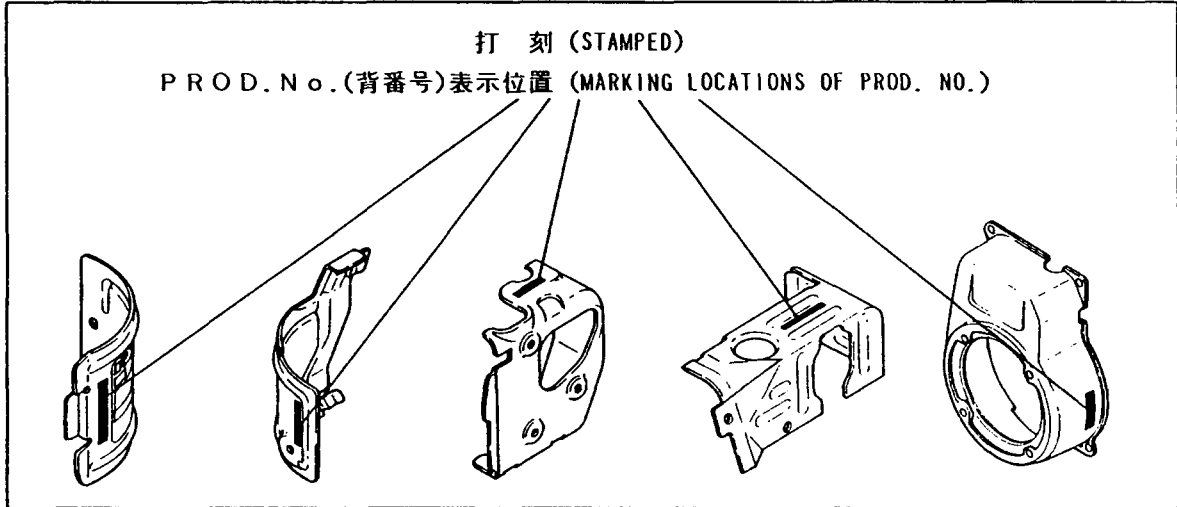
All 15 digit production numbers will be located in one of the following locations depending upon the engine model. The number will either be stamped onto a cylinder baffle or attached to one of the other locations by an easily visible label.

MARKING LOCATIONS OF PRODUCTION NUMBER

# PROD.No.

## How to check PROD. No.

PROD.No.(背番号)は、下記により確認して下さい。  
Check PROD. No. as illustrated below.



PROD.No.(背番号)15桁は、シリンダーパッフル上に打刻、又はブローハウジングなど見易い位置にラベルの貼付など、いずれかで表示されています。

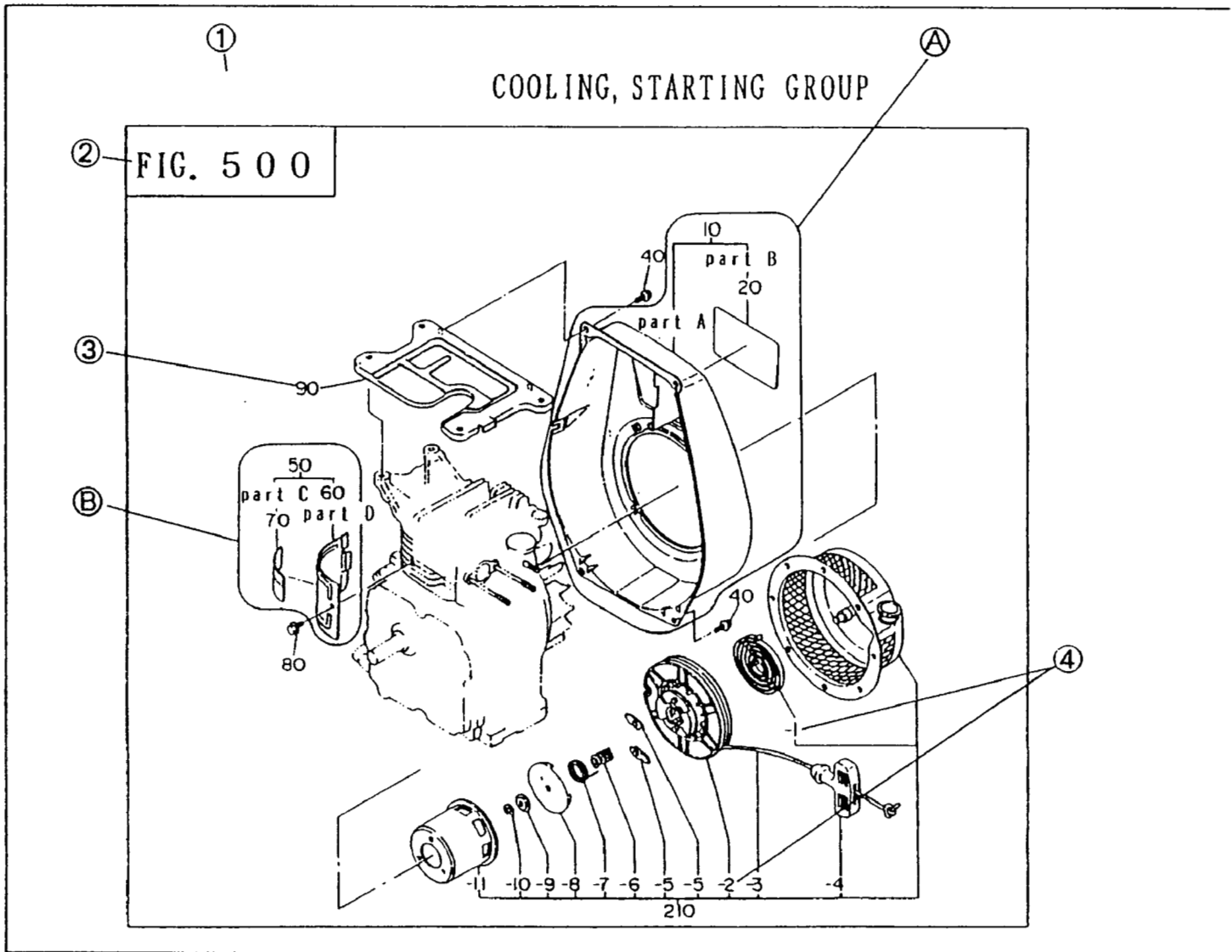
PROD.No. with 15 characters is marked either by stamping on the cylinder baffle or by sticking label to easily visible locations such as on the blower housing.

PROD.No.(背番号)  
表示例  
Marking example

PROD.No.○○△△△□□□□□××××

PROD.No.○○△△△□□□□□  
××××

# How to find the part of your need



NOTE: Some of the parts shown may be somewhat different from their actual shape and location. The illustrations of this catalog are intended to assist in ordering the correct part(s).

## [TERMS]

(1) Group..... Parts are classified into functional groups. Refer to the group index for specific groups.

(2) Fig. No. ....Indicates illustration number and corresponds to the FIG. NO. in the list.

(3) Ref. No. .... Corresponds to Ref. No. in parts list.

Example A.... The part indicated by Ref. No. 10 consists of part A and B. Part A is available either in the form of an assembly, Ref. No. 10(A), or as a complete unit, A (CP). Part B is available as a part by itself.

Example B.....Parts C and D are available either as an assembly, Ref. No. 50(A) or as a complete unit, (CP). Both parts are available as a part by itself.

(4) Sub-divided Ref. No.....Refers to a separate part within a group that is available as an independent part.

COOLING, STARTING GROUP

REF NO.	部品番号 PART NUMBER	部品名称 PART NAME	数量 Q'TY	備 考 RE M A R K S	管理番号 CODE NO. FROM-TO	小売単価 UNIT PRICE	FIG. NO.
10	234-51201-01	ブローハウジング CP BLOWER HOUSING CP	1	D,DS形用 for D,DS type	-		500
	234-51101-01	ブローハウジング CP BLOWER HOUSING CP	1	B,BS形用 for B,BS type	-		500
20	234-91701-03	ラベル(トレードマーク) シリンダーバッフル CP	1				500
50	234-52602-01	シリンダーバッフル CP CYLINDER BAFFLE CP	1				500
60	234-52601-03	シリンダーバッフル CYLINDER BAFFLE	1				500
70	234-91802-03	ラベル,エンジンネーム LABEL,ENGINE NAME	1				500
80	011-00600-20	フランジボルト FLANGE BOLT	1				500
90	234-52701-23	ヘッドカバー HEAD COVER	1		0091-		500
	234-52701-13	ヘッドカバー HEAD COVER	1	X	0001-0090		500
	234-52701-03	ヘッドカバー HEAD COVER	1	O	-0000		500
	234-52700-13	ヘッドカバー HEAD COVER	1	O	E/C NO. 1002994~		500
	234-52700-03	ヘッドカバー HEAD COVER	1	X	-		500
210	234-50211-00	リコイルスターター AY RECOIL STARTER AY	1				500
-1	106-50116-08	スパイラルスプリング SPIRAL SPRING	1				500
-2	207-50122-18	リール CP REEL CP	1				500

(5) Part No.....Part number assigned to part used in the applicable product. Is the number to be ordered.

(6) Part Name..Brief description of part number..

(7) Quantity....Number of parts required for particular part number in applicable product.

(8) Remarks....Additional information (if applicable) required for applicable product.

(9) Code No... Indicates modification records and provides identification of the part used in the items with Production No. by referring to the Code No.

Example (C)

[ - ] The part has been continuously used in the applicable product regardless of Code No.

Example (D)

[ 0091- ] Part used in the products with code number after 0091.

[ 0001-

0091] Part used in the products with code number between 0001 - 0091.

[ - 0000] Part used in the products with code number before 0000.

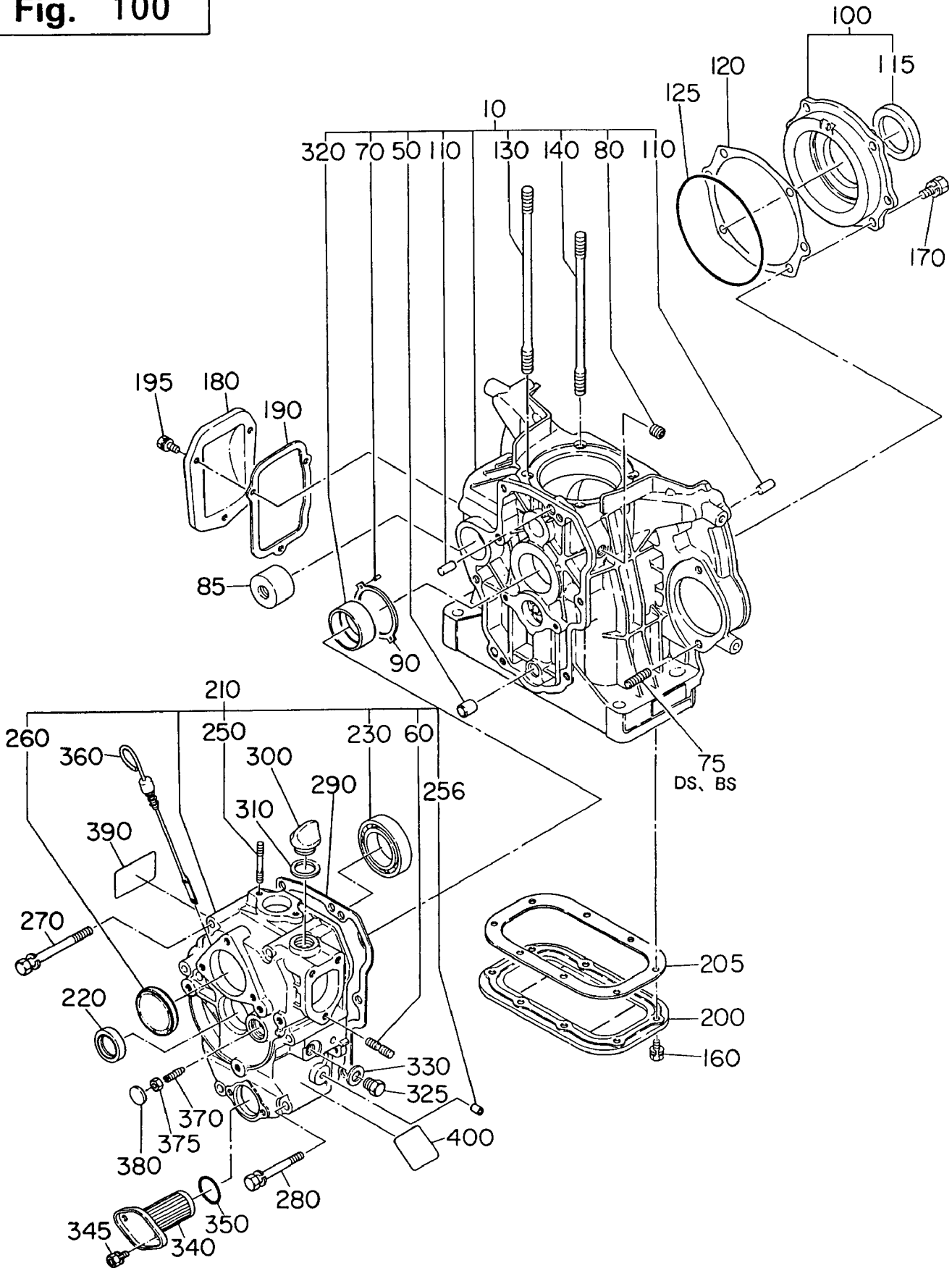
(10) Unit Price..Refer to Robin America published Parts Price Catalog for pricing.

[Note] Information on parts for Engines with a Code Number before 0001 and without a Production No. stamped on the engines are available by providing the engine serial number found stamped on the crankcase of the engine.

# GROUP INDEX

GROUP NAME	FIG. NO.	PAGE
CRANKCASE .....	100	2
CRANK, PISTON.....	200	8
OPTIONAL EQUIPMENT .....	201	10
INTAKE, EXHAUST .....	300	12
MUFFLER & AIR CLEANER .....	300	16
GOVERNOR, OPERATE .....	400	20
COOLING, STARTING.....	500	22
FUEL, LUBRICANT .....	600	24
ACCESSORIES, LABEL .....	900	28

Fig. 100





CRANKCASE

REF.	PART NUMBER	PART NAME	QTY	REMARKS	CODE NO. FROM-TO	INTERCHANGEABLE PART NUMBER	UNIT PRICE	FIG.
10	228-10111-01	CRANKCASE CP	1		-			100
20	228-14202-03	VALVE GUIDE	2		-			100
50	228-15003-13	PIPE KNOCK	1		-			100
60	001-32083-51	STUD	3		-			100
70	005-19250-60	SPRING PIN	2		-			100
80	212-15008-13	BLIND PLUG	1		-			100
85	228-25002-03	SLEEVE(BALANCER)	1		-			100
90	228-15002-03	THRUST BEARING	1		-			100
100	228-11501-11	BEARING HOUSING CP	1		-			100
110	005-26081-80	DOWEL PIN	4		-			100
115	044-04000-20	OIL SEAL	1		-			100
120	228-15004-03	GASKET(BEAR. HOUSING)	1	T=0.1 SELECTIVE AY	-			100
	228-15005-03	GASKET(BEAR. HOUSING)	1	T=0.2 SELECTIVE AY	-			100
	228-15006-03	GASKET(BEAR. HOUSING)	1	T=0.3 SELECTIVE AY	-			100
125	228-15014-03	O RING(BEAR. HOUSING)	1		-			100
130	228-16001-11	TENSION BOLT 1	2		-			100
140	228-16002-11	TENSION BOLT 2	2		-			100
160	980-05060-10	BOLT & WASHER AY	10		-			100
170	001-13082-00	BOLT & WASHER AY	6		-			100
180	228-26001-01	BALANCER COVER CP	1		-			100
190	228-25004-03	GASKET(BALANCER COV)	1		-			100
195	980-05060-10	BOLT & WASHER AY	3		-			100
200	228-11601-03	OIL PAN	1		-			100
205	228-15008-03	GASKET(OIL PAN)	1		-			100
210	228-11701-11	GEAR CASE COVER CP	1		-			100
220	044-02200-50	OIL SEAL	1		-			100
230	060-03500-40	BALL BEARING	1	BB6007C3	-			100
250	001-32064-50	STUD	2		-			100
260	041-05000-11	BLIND PLATE	1		-			100
270	001-13088-50	BOLT AND WASHER AY	4		-			100
280	001-13086-50	BOLT AND WASHER AY	3		-			100
290	228-15007-03	GASKET(CASE COVER)	1		-			100
300	228-65003-03	PLUG	1		-			100
310	021-32000-10	GASKET	1		-			100
320	228-15801-03	MAIN BEARING STD	1	STD	-			100
	228-15802-03	MAIN BEARING 0.25MM	1	UNDER SIZE 0.25	-			100

93/09/24

DY300YD0000 EX. R/A-STD(RE)

Fig. 100

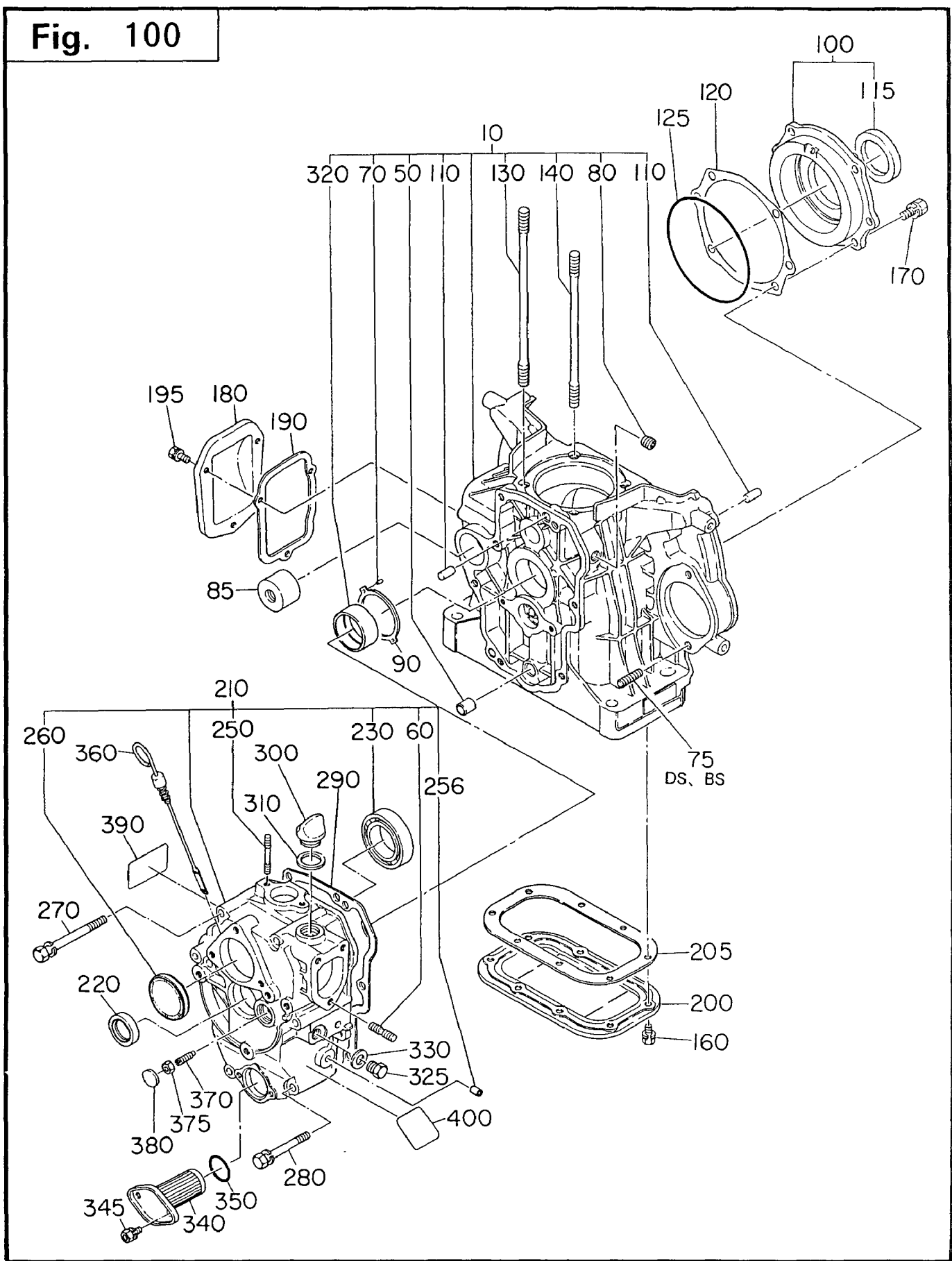




Fig. 100

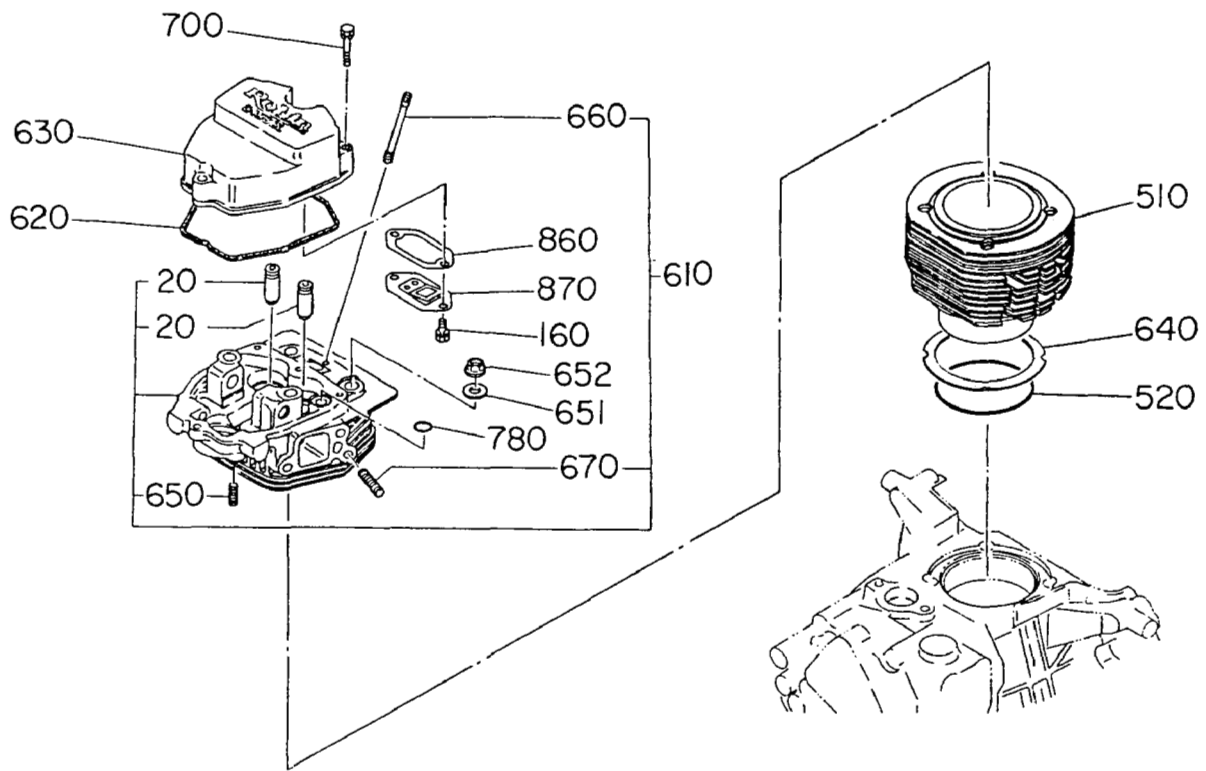
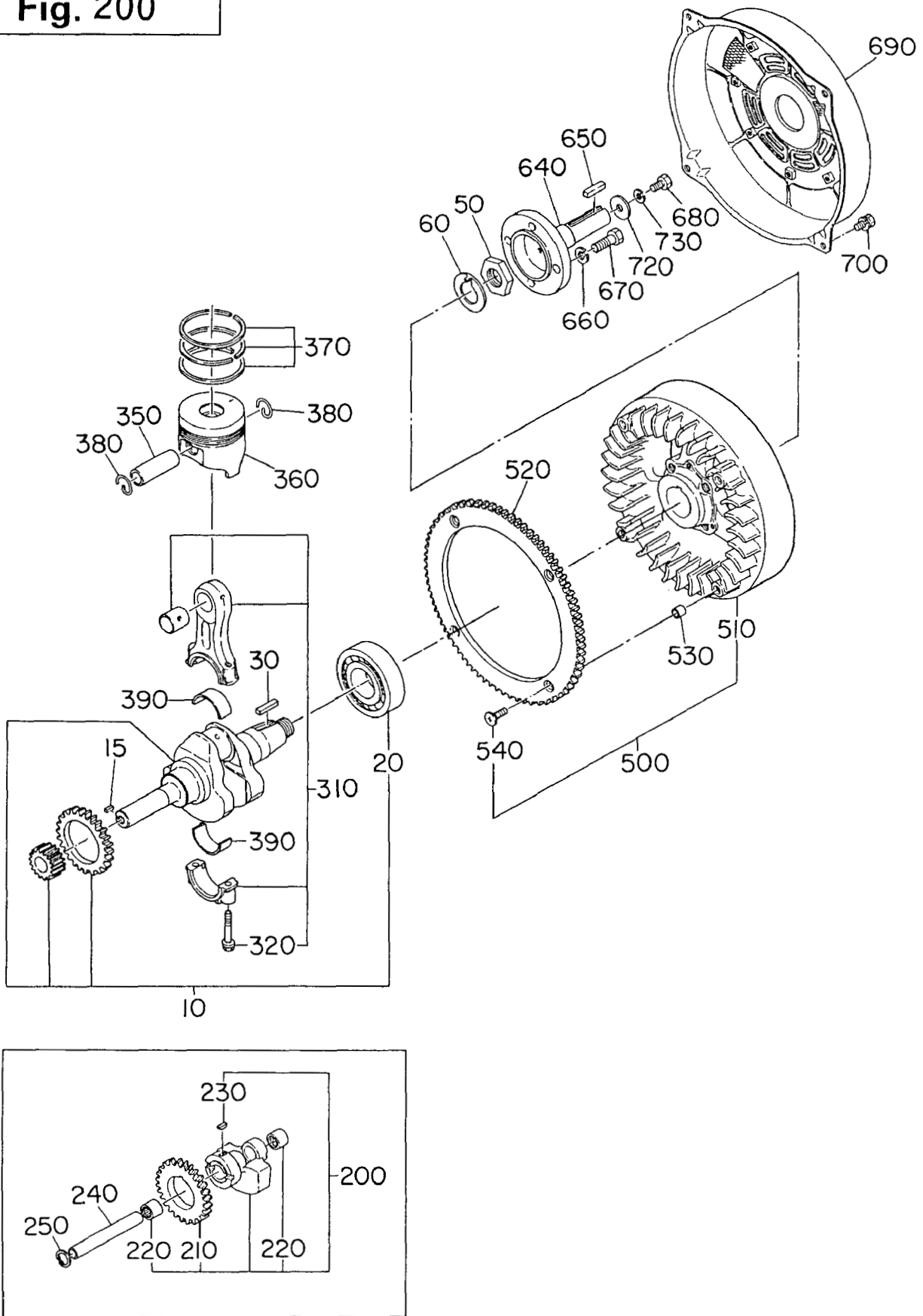




Fig. 200



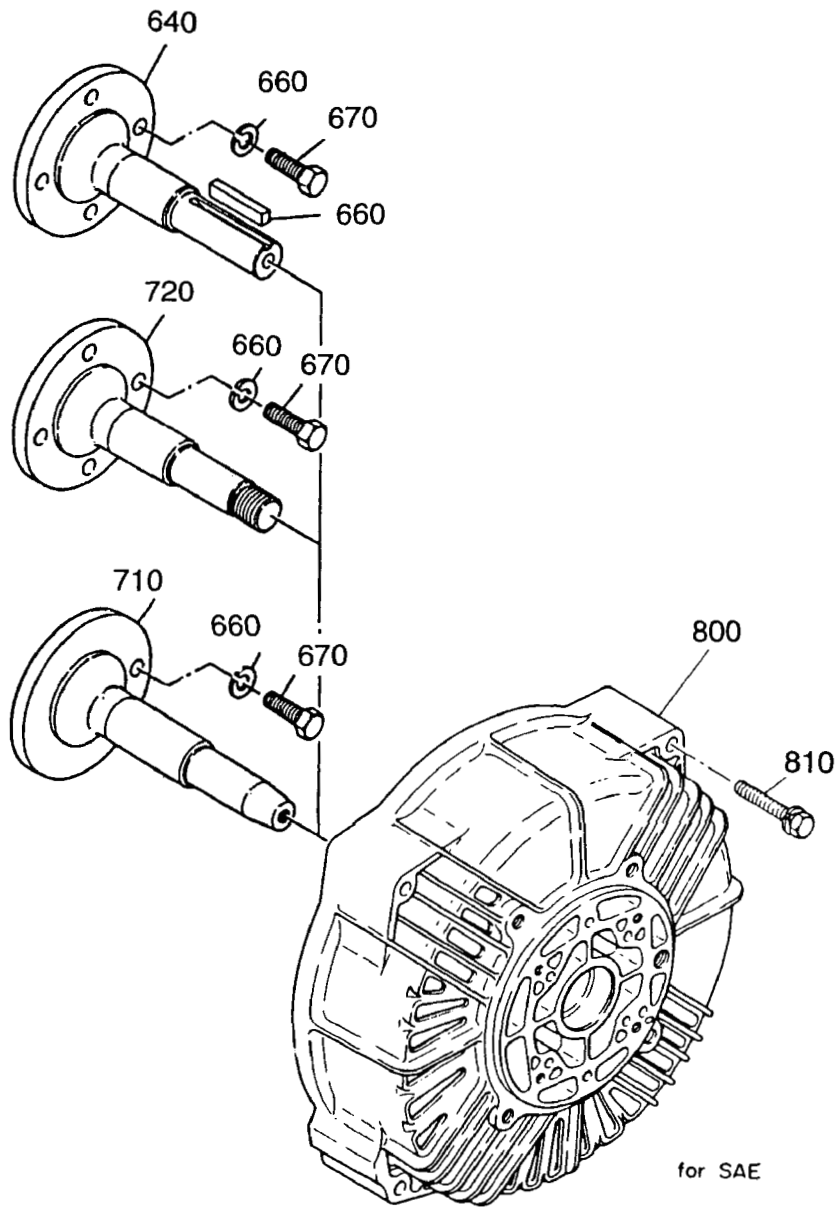
CRANKSHAFT, PISTON

REF.	PART NUMBER	PART NAME	QTY	REMARKS	CODE NO. FROM-TO	INTERCHANGEABLE PART NUMBER	UNIT PRICE	FIG.
10	228-20402-01	CRANK SHAFT CP	1		-			200
15	005-30040-81	KEY	1		-			200
20	060-04000-30	BALL BEARING	1	BB6308C3	-			200
30	005-30072-01	KEY	1		-			200
50	017-32600-10	LOCK NUT	1		-			200
60	020-52600-12	LOCK WASHER	1		-			200
200	228-24301-11	BALANCER CP	1		-			200
210	228-24202-03	BALANCER GEAR 2	1		-			200
220	061-01500-10	NEEDLE BEARING	2		-			200
230	005-32042-01	WOODRUFF KEY	1		-			200
240	228-24101-03	BALANCER SHAFT	1		-			200
250	003-14150-00	SNAPRING(INNER)	1		-			200
310	228-22501-00	CONNECTING ROD AY	1		-	228-22501-10		200
320	228-23001-03	CONNECTING ROD BOLT	2		-			200
350	228-23301-03	PISTON PIN	1		-			200
360	228-23401-33	PISTON	1	STD	-			200
	228-23402-33	PISTON	1	OVER SIZE 0.25	-			200
	228-23403-33	PISTON 0.5	1	OVER SIZE 0.50	-			200
370	228-23501-07	PISTON RING SET	1	STD.	-			200
	228-23502-07	PISTON RING SET 0.25	1	OVER SIZE 0.25	-			200
	228-23503-07	PISTON RING SET 0.50	1	OVER SIZE 0.50	-			200
380	056-52100-10	CRIP	2		-			200
390	228-22801-13	LARGE END BEARING	2	STD	-			200
	228-22802-13	LARGE END BEARING	2	UNDER SIZE 0.25	-			200
	228-22803-13	LARGE END BEARING	2	UNDER SIZE 0.50	-			200
510	228-22420-23	FLYWHEEL	1		-			200
640	228-24406-03	DRIVING SHAFT	1		-			200
650	207-26001-03	KEY	1		-			200
660	003-20100-00	SPRING WASHER	4		-			200
670	001-67103-00	BOLT	4		-			200
690	228-25501-11	FLYWHEEL COVER CP	1		-			200
700	001-13081-60	BOLT & WASHER AY	4		-			200
710	228-24407-03	DRIVING SHAFT	1	FOR GENERATOR	-			201
720	228-24408-03	DRIVING SHAFT	1	FOR PUMP	-			201
800	228-17911-23	ADAPTER	1		-			201
810	001-13086-00	BOLT & WASHER AY	4		-			201

93/09/24

DY300YD0000 EX. R/A-STD (RE)

**Fig. 201**





CRANKSHAFT, PISTON

REF.	PART NUMBER	PART NAME	QTY	REMARKS	CODE NO. FROM-TO	INTERCHANGEABLE PART NUMBER	UNIT PRICE	FIG.
10	228-20402-01	CRANK SHAFT CP	1		-			200
15	005-30040-81	KEY	1		-			200
20	060-04000-30	BALL BEARING	1	BB6308C3	-			200
30	005-30072-01	KEY	1		-			200
50	017-32600-10	LOCK NUT	1		-			200
60	020-52600-12	LOCK WASHER	1		-			200
200	228-24301-11	BALANCER CP	1		-			200
210	228-24202-03	BALANCER GEAR 2	1		-			200
220	061-01500-10	NEEDLE BEARING	2		-			200
230	005-32042-01	WOODRUFF KEY	1		-			200
240	228-24101-03	BALANCER SHAFT	1		-			200
250	003-14150-00	SNAPRING(INNER)	1		-			200
310	228-22501-00	CONNECTING ROD AY	1		-	228-22501-10		200
320	228-23001-03	CONNECTING ROD BOLT	2		-			200
350	228-23301-03	PISTON PIN	1		-			200
360	228-23401-33	PISTON	1	STD	-			200
	228-23402-33	PISTON	1	OVER SIZE 0.25	-			200
	228-23403-33	PISTON 0.5	1	OVER SIZE 0.50	-			200
370	228-23501-07	PISTON RING SET	1	STD.	-			200
	228-23502-07	PISTON RING SET 0.25	1	OVER SIZE 0.25	-			200
	228-23503-07	PISTON RING SET 0.50	1	OVER SIZE 0.50	-			200
380	056-52100-10	CRIP	2		-			200
390	228-22801-13	LARGE END BEARING	2	STD	-			200
	228-22802-13	LARGE END BEARING	2	UNDER SIZE 0.25	-			200
	228-22803-13	LARGE END BEARING	2	UNDER SIZE 0.50	-			200
510	228-22420-23	FLYWHEEL	1		-			200
640	228-24406-03	DRIVING SHAFT	1		-			200
650	207-26001-03	KEY	1		-			200
660	003-20100-00	SPRING WASHER	4		-			200
670	001-67103-00	BOLT	4		-			200
690	228-25501-11	FLYWHEEL COVER CP	1		-			200
700	001-13081-60	BOLT & WASHER AY	4		-			200
710	228-24407-03	DRIVING SHAFT	1	FOR GENERATOR	-			201
720	228-24408-03	DRIVING SHAFT	1	FOR PUMP	-			201
800	228-17911-23	ADAPTER	1		-			201
810	001-13086-00	BOLT & WASHER AY	4		-			201

93/09/24

DY300YD0000 EX, R/A-STD (RE)



INTAKE, EXHAUST

REF.	PART NUMBER	PART NAME	QTY	REMARKS	CODE NO. FROM-TO	INTERCHANGEABLE PART NUMBER	UNIT PRICE	FIG.
10	228-31604-00	CAMSHAFT AY	1		-			300
20	228-31604-01	CAMSHAFT CP	1		-			300
30	228-33222-01	CAMSHAFT GEAR CP	1		-			300
40	005-32042-01	WOODRUFF KEY	1		-			300
50	228-33301-03	TAPPET	2		-			300
55	228-35561-03	RELEASE LEVER	1		-			300
60	228-33601-03	VALVE SPRING	2		-			300
70	228-33701-03	SPRING RETAINER	2		-			300
80	228-33401-13	INTAKE VALVE	1		-			300
90	228-33501-03	EXHAUST VALVE	1		-			300
100	023-02000-20	SPACER	1	T=0.8 SELECTIVE AY	-			300
	023-02000-30	SPACER	1	T=1.0 SELECTIVE AY	-			300
	023-02000-40	SPACER	1	T=1.2 SELECTIVE AY	-			300
160	228-35005-03	PUSH ROD	2		-			300
170	228-33801-03	RETAINER LOCK	4		-			300
180	228-35003-03	VALVE STEM SEAL	1		-			300
190	228-35004-03	ROCKER SHAFT	1		-			300
200	228-36201-01	EXHAUST ROCKERARM CP	1		-			300
210	014-90600-80	ADJUSTING SCREW	1		-			300
220	017-00600-80	NUT	1		-			300
230	228-36401-01	INTAKE ROCKER ARM CP	1		-	228-36301-01		300
240	014-90600-80	ADJUSTING SCREW	1		-			300
250	017-00600-80	NUT	1		-			300
310	228-30105-01	MUFFLER CP	1		-			300
320	228-34201-11	MUFFLER COVER CP	1		-			300
340	228-35006-03	GASKET (MUFFLER)	2		-			300
350	002-18080-00	NUT	2		-			300
355	002-19080-00	NUT	2		-			300
360	011-00600-10	FLANGE BOLT	4		-			300
380	003-20080-00	SPRING WASHER	4		-			300
510	228-32801-00	AIR CLEANER AY	1		-			300
- 7	228-32805-08	PACKING	1		-			300
520	228-32803-08	ELEMENT	1		-			300
530	228-32802-08	ELEMENT	1		-	228-32801-07		300
550	228-92306-03	LABEL (AIR CLEANER)	1		-			300
710	228-35603-11	PUSH ROD SLEEVE	1		-			300

93/09/24

DY300YD0000 EX, R/A-STD (RE)

Fig. 300

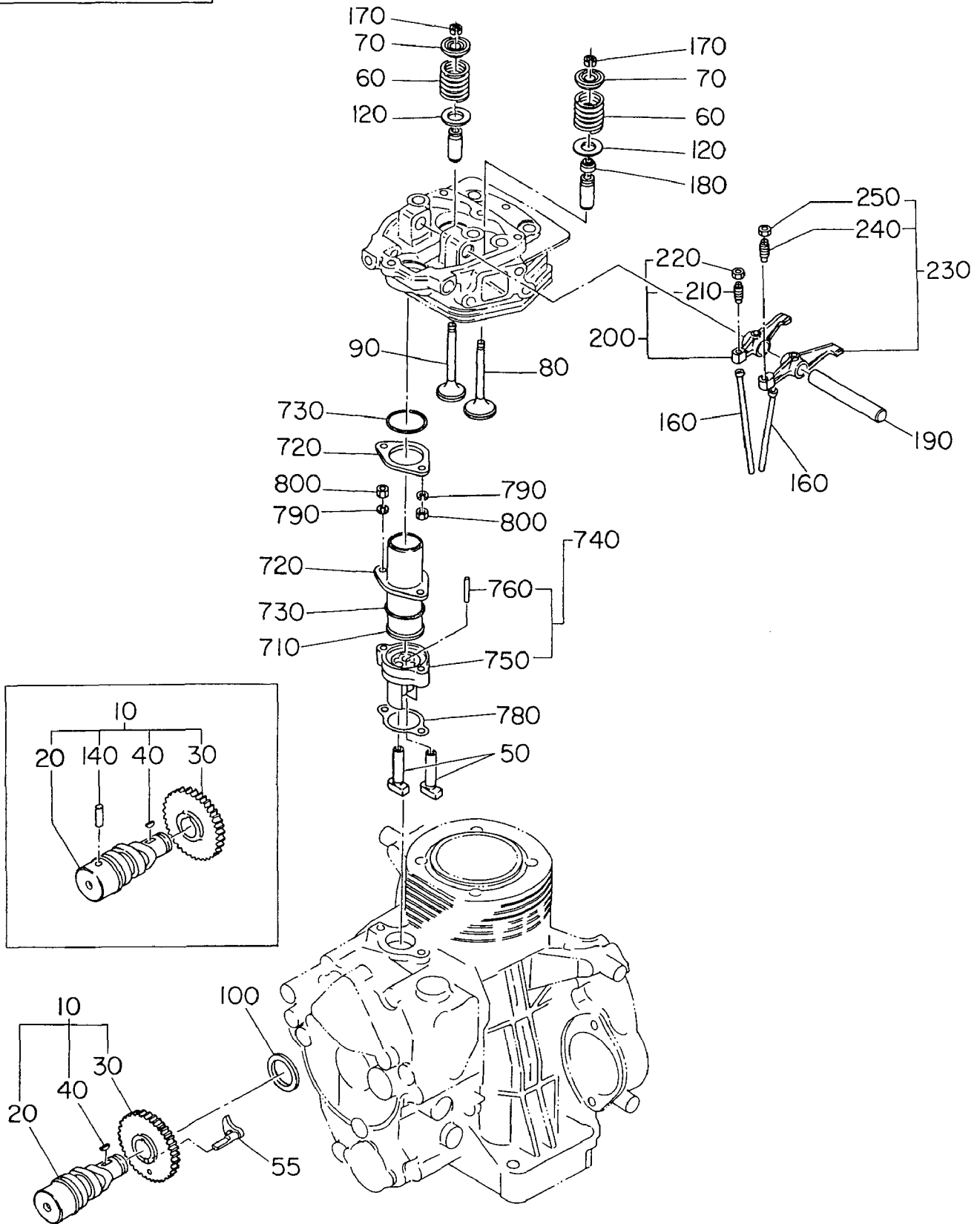
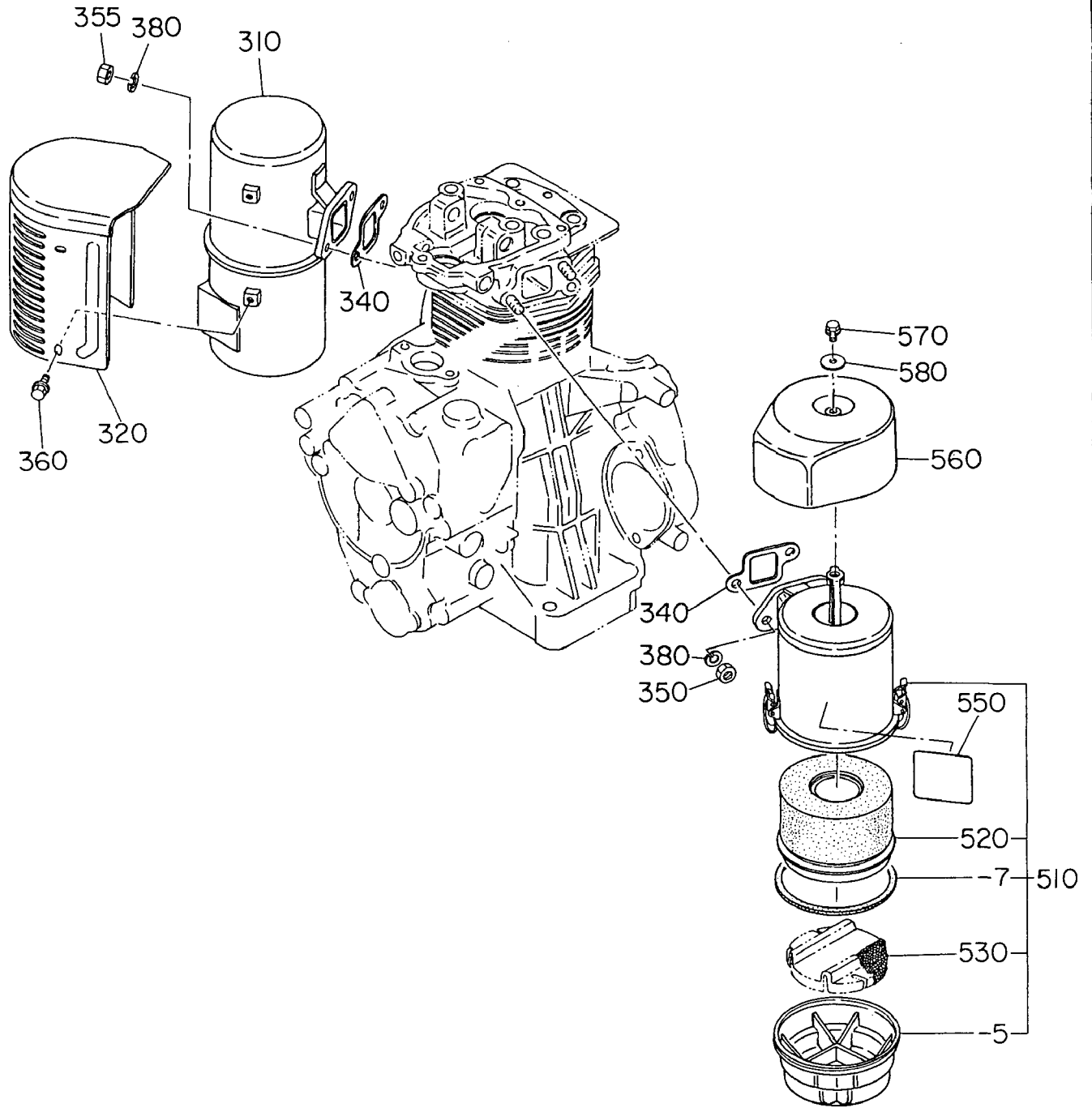




Fig. 300



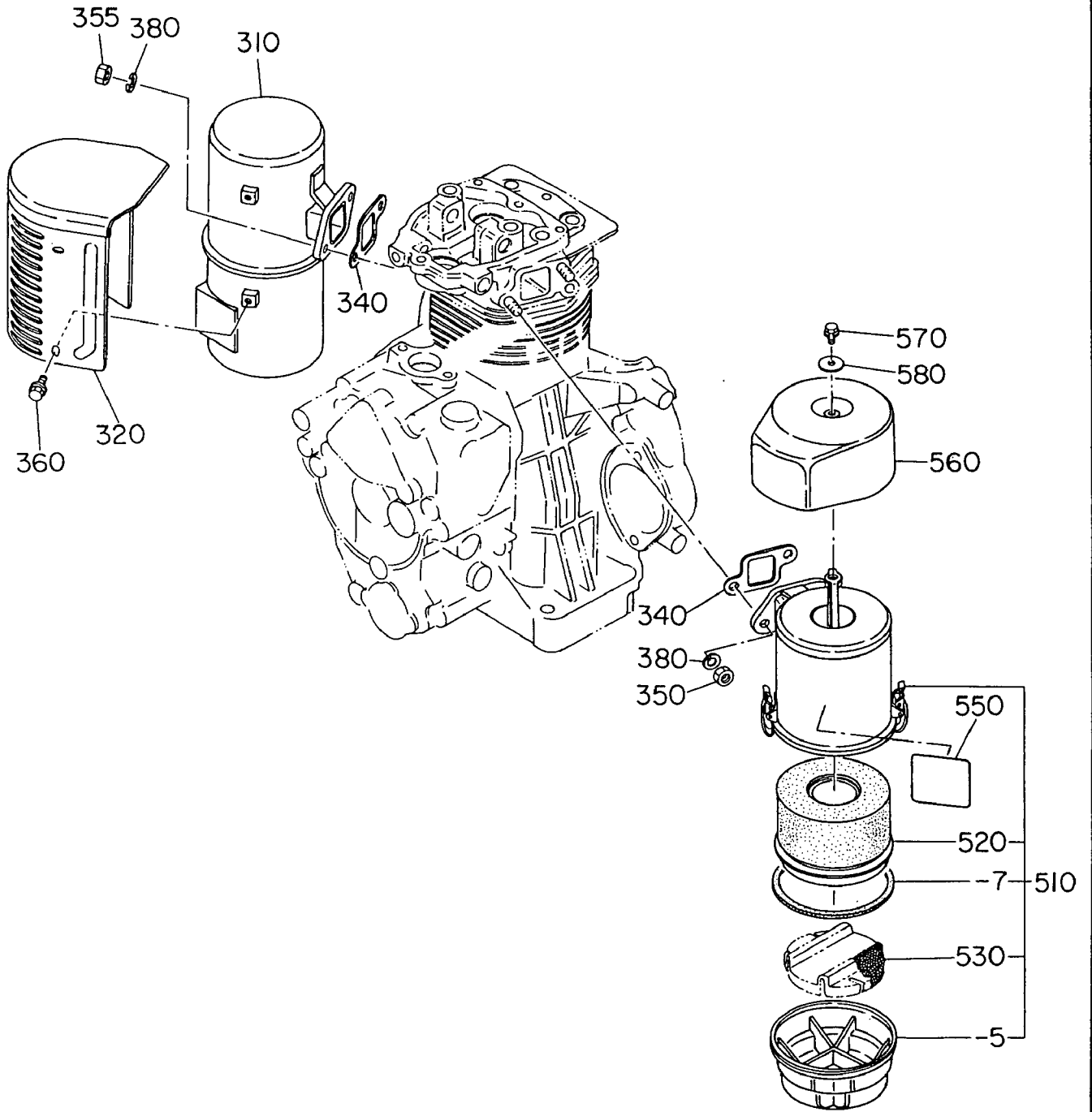
INTAKE, EXHAUST

REF.	PART NUMBER	PART NAME	QTY	REMARKS	CODE NO. FROM-TO	INTERCHANGEABLE PART NUMBER	UNIT PRICE	FIG.
10	228-31604-00	CAMSHAFT AY	1		-			300
20	228-31604-01	CAMSHAFT CP	1		-			300
30	228-33222-01	CAMSHAFT GEAR CP	1		-			300
40	005-32042-01	WOODRUFF KEY	1		-			300
50	228-33301-03	TAPPET	2		-			300
55	228-35561-03	RELEASE LEVER	1		-			300
60	228-33601-03	VALVE SPRING	2		-			300
70	228-33701-03	SPRING RETAINER	2		-			300
80	228-33401-13	INTAKE VALVE	1		-			300
90	228-33501-03	EXHAUST VALVE	1		-			300
100	023-02000-20	SPACER	1	T=0.8 SELECTIVE AY	-			300
	023-02000-30	SPACER	1	T=1.0 SELECTIVE AY	-			300
	023-02000-40	SPACER	1	T=1.2 SELECTIVE AY	-			300
160	228-35005-03	PUSH ROD	2		-			300
170	228-33801-03	RETAINER LOCK	4		-			300
180	228-35003-03	VALVE STEM SEAL	1		-			300
190	228-35004-03	ROCKER SHAFT	1		-			300
200	228-36201-01	EXHAUST ROCKERARM CP	1		-			300
210	014-90600-80	ADJUSTING SCREW	1		-			300
220	017-00600-80	NUT	1		-			300
230	228-36401-01	INTAKE ROCKER ARM CP	1		-	228-36301-01		300
240	014-90600-80	ADJUSTING SCREW	1		-			300
250	017-00600-80	NUT	1		-			300
310	228-30105-01	MUFFLER CP	1		-			300
320	228-34201-11	MUFFLER COVER CP	1		-			300
340	228-35006-03	GASKET (MUFFLER)	2		-			300
350	002-18080-00	NUT	2		-			300
355	002-19080-00	NUT	2		-			300
360	011-00600-10	FLANGE BOLT	4		-			300
380	003-20080-00	SPRING WASHER	4		-			300
510	228-32801-00	AIR CLEANER AY	1		-			300
- 7	228-32805-08	PACKING	1		-			300
520	228-32803-08	ELEMENT	1		-			300
530	228-32802-08	ELEMENT	1		-	228-32801-07		300
550	228-92306-03	LABEL (AIR CLEANER)	1		-			300
710	228-35603-11	PUSH ROD SLEEVE	1		-			300

93/09/24

DY300YD0000 EX, R/A-STD (RE)

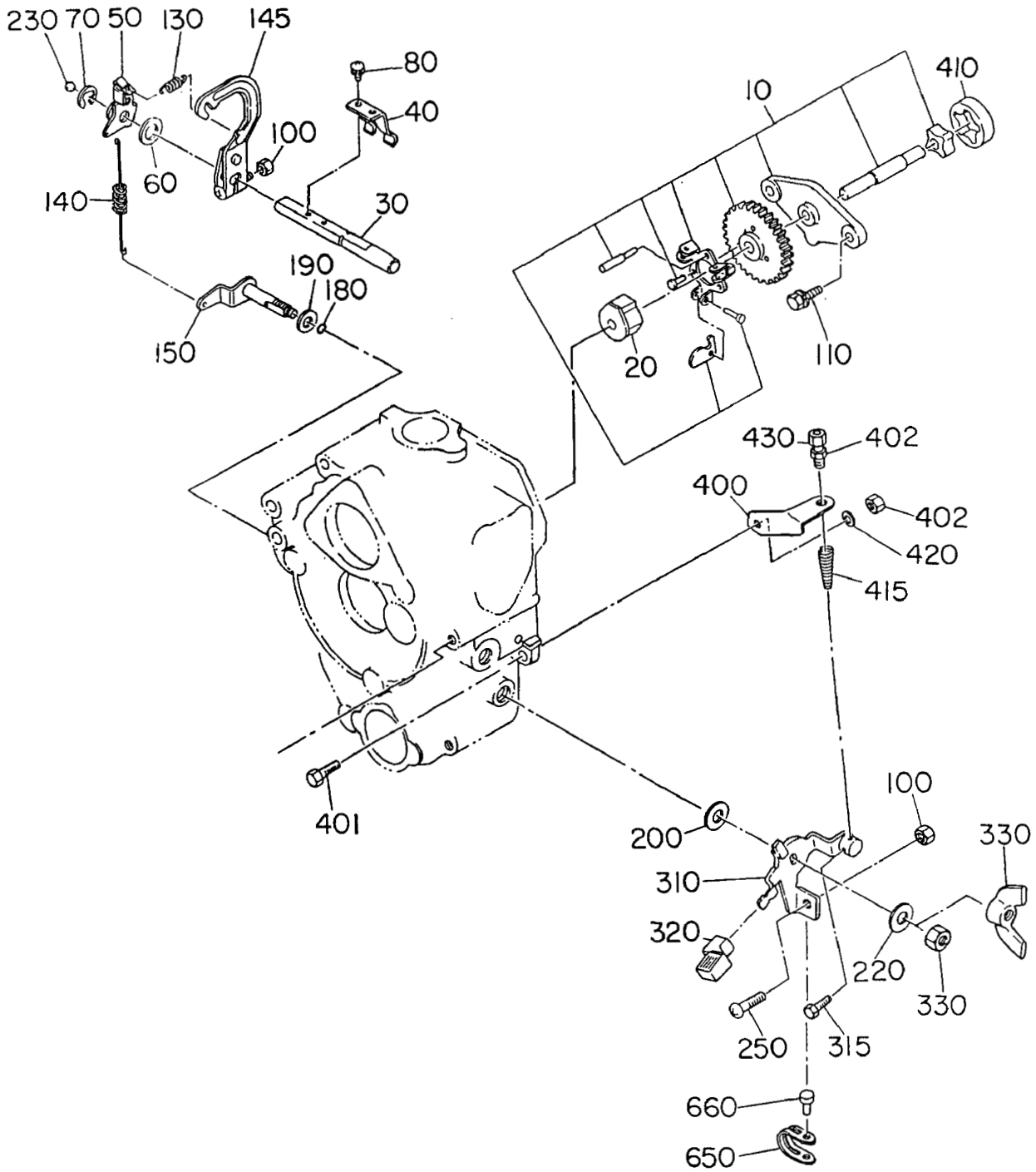
Fig. 300







**Fig. 400**



GOVERNOR. OPERATION

REF.	PART NUMBER	PART NAME	QTY	REMARKS	CODE NO. FROM-TO	INTERCHANGEABLE PART NUMBER	UNIT PRICE	FIG.
10	228-41701-30	GOVERNOR PLATE AY	1		-			400
20	228-41910-01	GOVERNOR SLEEVE CP	1		-			400
30	228-42201-03	GOVERNOR SHAFT	1		-			400
40	228-42101-23	GOVERNOR YOKE	1		-			400
50	228-42302-03	GOVERNOR LEVER 1	1		-			400
60	003-10100-00	WASHER	1		-			400
70	003-13080-00	CLIP	1		-			400
80	004-35051-20	SCREW AND WASHER AY	2		-			400
100	002-18060-00	NUT	2		-			400
110	001-13062-00	BOLT AND WASHER AY	2		-			400
130	228-45001-33	START SPRING	1		-			400
140	228-42501-23	GOVERNOR SPRING	1		-			400
145	228-42310-02	GOVERNOR LEVER 2 UN	1		-			400
150	228-42904-02	CONTROL LINK UN	1		-			400
180	006-26100-50	O RING	1		-			400
190	023-00800-10	SPACER	1		-			400
200	021-70800-10	FRICTION WASHER	1		-			400
210	020-00800-10	WASHER	1		-			400
220	020-00800-50	WASHER	1		-			400
230	045-00600-10	STEEL BALL	1		-			400
250	004-31063-50	SCREW	1		-			400
310	228-43311-11	SPEED CONTROL 1 CP	1		-			400
315	011-50500-10	BOLT	1		-			400
320	228-45003-03	KNOB	1		-			400
330	017-90800-12	WING NUT	1		-			400
400	228-44201-01	WIRE BRACKET 1	1		-			400
401	001-65061-60	BOLT	1		-			400
402	002-18060-00	NUT	1		-			400
410	228-63902-03	OIL PUMP(OUTER)	1		-			400
415	228-46002-11	RETURN SPRING CP	1		-			400
420	003-20060-00	SPRING WASHER	1		-			400
430	014-90600-40	ADJUSTING SCREW	1		-			400
650	228-45004-03	LOCK PLATE	1		-			400
660	033-00500-10	RIVET	1		-			400

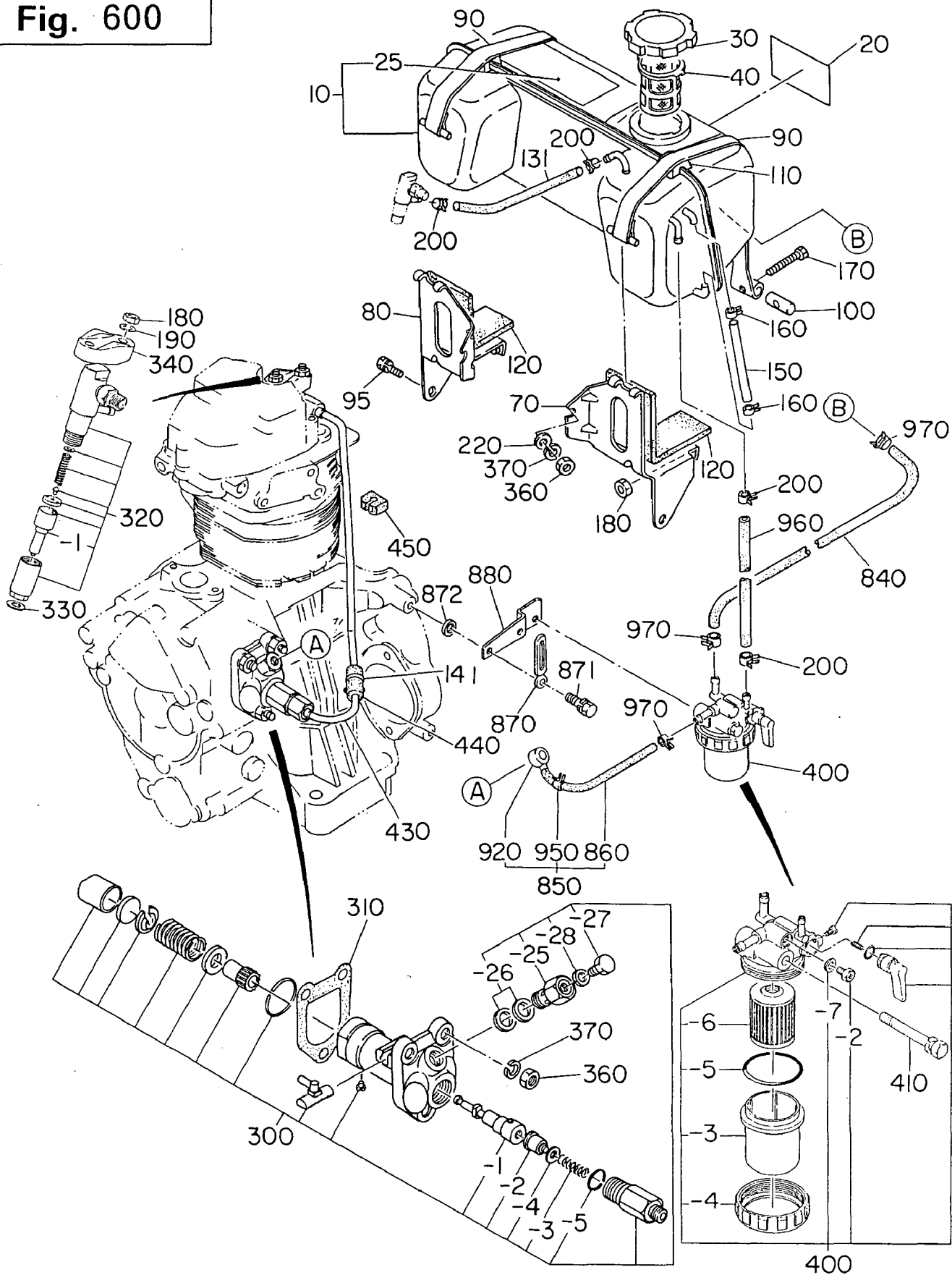
93/09/24

DY300YD0000 EX. R/A-STD(RE)





Fig. 600



FUEL, LUBRICANT

REF.	PART NUMBER	PART NAME	QTY	REMARKS	CODE NO. FROM-TO	INTERCHANGEABLE PART NUMBER	UNIT PRICE	FIG.
10	228-60102-41	FUEL TANK CP	1		-			600
20	228-91712-03	LABEL (TRADE MARK)	1		-			600
25	228-91908-03	LABEL (INSTRUCTION)	1		-			600
30	043-04300-15	FUEL TANK CAP CP	1		-			600
40	064-13600-10	FUEL FILTER	1		-			600
70	228-61601-11	TANK BRACKET 1 CP	1		-			600
80	228-61701-11	TANK BRACKET 2 CP	1		-			600
90	228-65510-01	TANK BAND CP	2		-			600
95	001-13082-00	BOLT & WASHER AY	2		-			600
100	228-65601-11	PIN CP, TANK BAND	2		-			600
110	228-65001-13	BAND GUIDE	2		-			600
120	228-65002-03	FELT	2		-			600
131	085-14500-00	RUBBER PIPE	1	4.5X9XM	-			600
150	085-00500-00	VINYL PIPE	1	5X8XM	-			600
160	056-10800-10	HOSE CLAMP	2		-			600
170	001-66064-50	BOLT	2		-			600
180	002-18060-00	NUT	2		-			600
190	002-38060-00	FLANGE NUT	2		-			600
200	056-10800-10	HOSE CLAMP	4		-			600
220	003-10080-00	WASHER	2		-			600
300	228-63101-00	INJECTION PUMP AY	1		-			600
- 1	228-63102-08	PLUNGER AY	1		-			600
- 2	228-63103-08	DELIVERY VALVE	1		-			600
- 3	222-63104-08	SPRING DELIVERY VALV	1		-			600
- 4	222-63105-08	GASKET	1		-			600
- 5	228-63105-08	O RING	1		-			600
- 25	228-63112-08	BOLT	1		-			600
- 26	222-63116-08	GASKET	2		-			600
- 27	228-63113-08	BOLT	1		-			600
- 28	211-63212-08	GASKET 50623-180	1		-			600
310	228-65017-03	GASKET (INJ. PUMP)	1	T=0.1 SELECTIVE AY	-			600
	228-65022-03	GASKET (INJ. PUMP)	1	T=0.2 SELECTIVE AY	-			600
	228-65018-03	GASKET (INJ. PUMP)	1	T=0.3 SELECTIVE AY	-			600
320	228-63201-10	NOZZLE AY	1		-			600
- 1	228-63211-08	NOZZLE	1		-			600
330	228-65004-03	GASKET (NOZZLE)	1		-			600

93/09/24



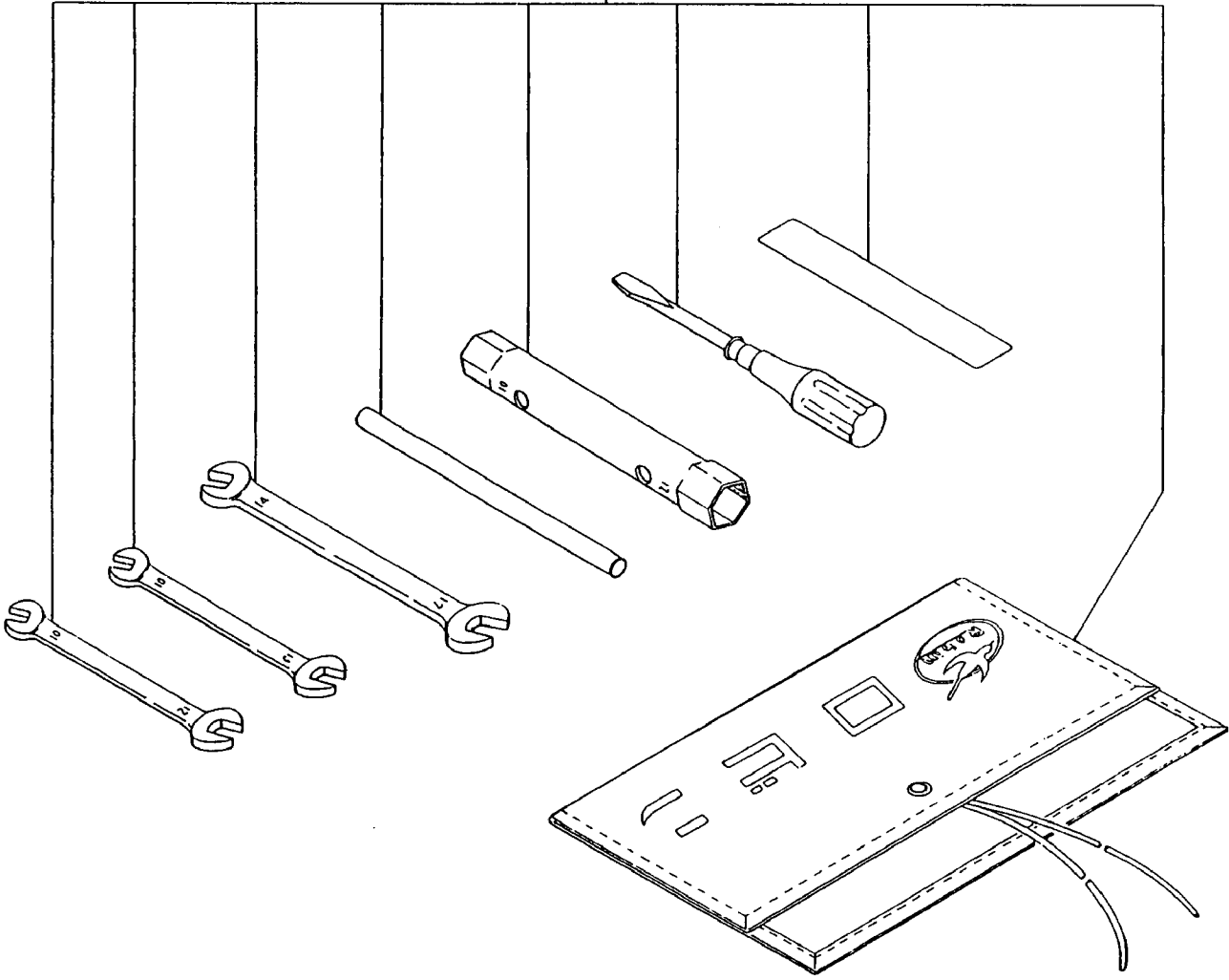




# ACCESSORIES, LABEL GROUP

FIG. 900

10









**Robin America, Inc.**

940 Lively Blvd., Wood Dale, IL 60191 • Tel: (708) 350-8200 • Fax: (708) 350-8212