

PARTS MANUAL

Models

EH63, EH64,

EH65, EH72

ENGINES

PUB-EP1549

Rev. 06/01

Robin America, Inc.

940 Lively Blvd. • Wood Dale, IL 60191 • Phone: 630-350-8200 • Fax: 630-350-8212
e-mail: sales@robinamerica.com • www.robinamerica.com

© Copyright 2001 Robin America, Inc.

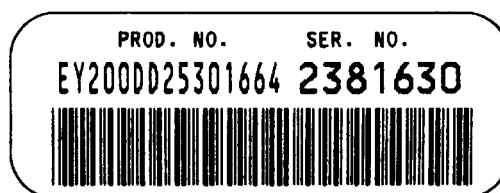
HOW TO USE THIS MANUAL

Robin engines are identified by MODEL, SPECIFICATION, and CODE NUMBER. For each model there may be many different versions called specifications. Each specification will be unique in some way. The difference may only be the paint color or it may have a different type of PTO or some other significant difference.

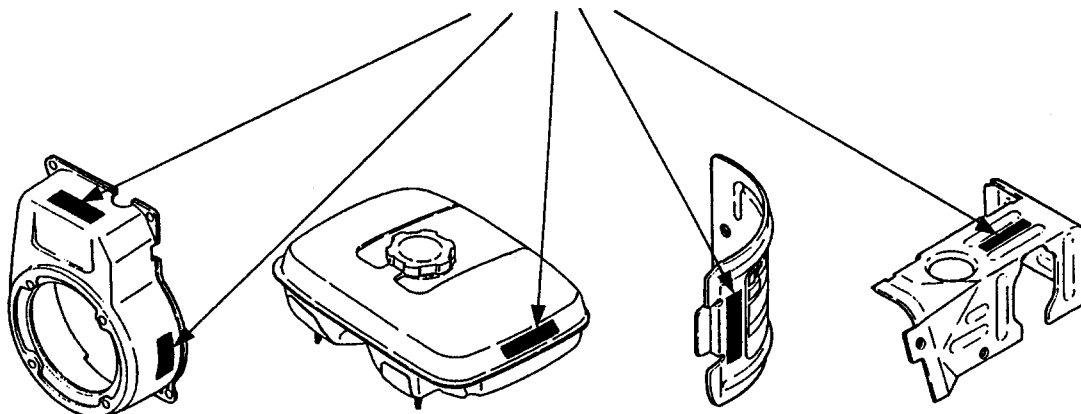
In order to identify the correct service part number, it is important to confirm the specification and code numbers for your engine. The specification and code number together are known as the PRODUCT NUMBER.

All Robin 4 cycle engines have a Product Number label similar to the label illustrated below.

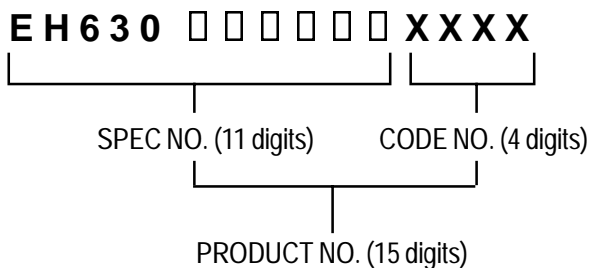
PRODUCT NUMBER LABEL



PRODUCT NUMBER LABEL LOCATIONS



The Product Number Label has a 15 digit alphanumeric string that consists of the SPECIFICATION (SPEC) number (11 digits) and the CODE number (4 digits). Please note the illustration below:



MANUAL LAYOUT

1 — SECTION 6 **FUEL GROUP**

2 — FIG. 600

3

4

5

6

7

8

9

10

REF.	PART NO.	DESCRIPTION	QTY.	REMARKS	FROM-TO	FIG.
10	267-60103-01	FUEL TANK CP	1	YD, YS TYPE, BLACK	2101 -	600
30	267-60101-01	FUEL TANK CP	1	YELLOW	- 2100	600
27	073-20039-00	LABEL, WARNING	1	YD, YS TYPE		600
30	043-04300-15	FUEL TANK CAP CP	1			600
31	267-95201-03	LABEL, EMISSION	1	YD, YS TYPE		600
40	064-13600-10	FUEL FILTER	1			600
50	064-20021-01	FUEL STRAINER AY	1			600
-1	064-20002-20	FILTER	1			600
-2	064-20002-30	GASKET	1			600
-3	064-20019-10	CUP	1			600
-4	064-20003-20	NUT	1			600

1. SECTION NAME Parts are broadly classified according to their functions. Refer to the Group Index (table of contents) for respective section name.
2. FIG. No. The FIG. number indexes the reference and part numbers to the illustration. Figure numbers that vary only in the tens place (i.e.: 700 and 710) are in a group of the same section (i.e.: Electrical Device Group).
3. REF. No. The Reference number identifies the part illustration with the corresponding part number in the part list.
4. SUBASSEMBLY SUBASSEMBLY parts of part assembly are listed below the assembly part. The subassembly part reference number is indicated by the number led by "-" such as "-1", "-2".
5. PART NUMBER It is the number assigned for sales unit. Use the PART No. when making an order.
6. DESCRIPTION It is designation of the part.
7. QTY. Quantity of each part used for each product.
8. REMARKS This gives a distinctive feature and/or a supplementary comment for the type, the specification, and the part concerned. It also shows part number(s) interchangeable for the part.
9. FROM-TO This section shows the CODE No. to indicate the history of progress in which improved parts have been introduced in the product. The FROM-TO CODE No. helps to identify PART No. being employed in the product concerned. See the examples below:
 - The part is used in the product irrespective of CODE No.
 - 2101- The part is used in the products with CODE No. of 2101 and after this number.
 - 2100 The part is used in the products with CODE No. of 2100 and before this number.

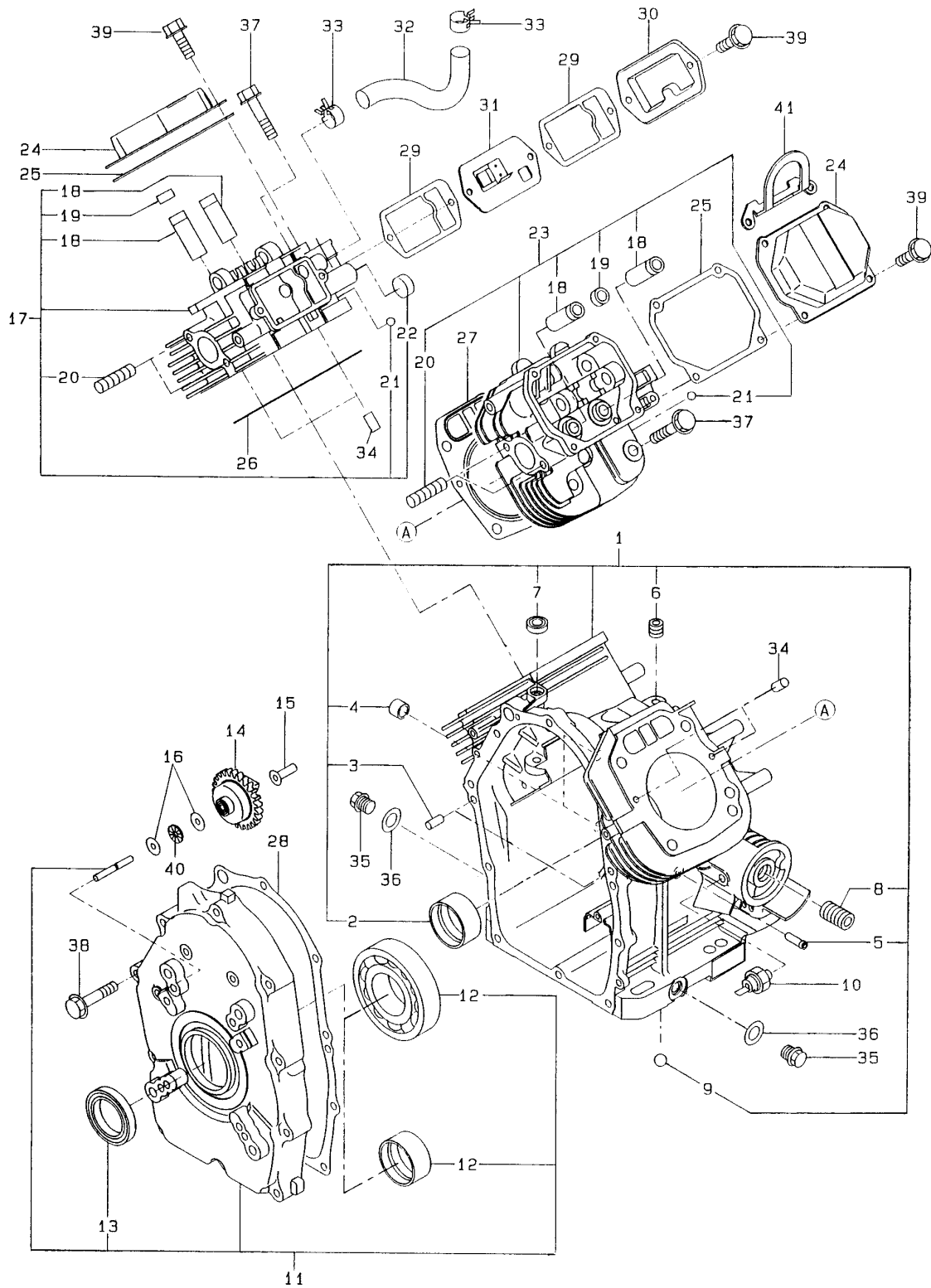
GROUP INDEX

Group Name	Page
CRANKCASE GROUP	
EH63, EH64, EH65	6
EH72	8
CRANKSHAFT GROUP	10
INTAKE and EXHAUST GROUP	
EH63, EH64, EH65	12
EH72	14
GOVERNOR GROUP	16
COOLING and STARTING GROUP	18
FUEL, LUBRICANT GROUP	
EH63, EH64, EH65	20
EH72	22
CARBURETOR GROUP	
EH63, EH64, EH65	24
EH72	26
OIL COOLER and OIL FILTER GROUP	28
ELECTRIC DEVICE GROUP	30
STARTING MOTOR GROUP	34
ACCESSORY GROUP	38

INDEX OF DESCRIPTION SYMBOLS			
SYMBOL	DESCRIPTION	SYMBOL	DESCRIPTION
AY	ASSEMBLY	P=	PITCH (in mm)
CP	COMPLETE	P.T.O. (PTO)	POWER TAKE OFF
EX	EXPORT (from Japan)	REF.	REFERENCE
FIG.	FIGURE	R.H. (RH)	RIGHT HAND SIDE
FR.	FRONT	RR.	REAR
"	INCH	STD.	STANDARD
INCL.	INCLUDE	SW	SWITCH
-L	LITER	T=	THICKNESS (in mm)
L=	LENGTH (in. mm)	UN	UNIT
L.H. (LH)	LEFT-HAND SIDE	U.S.	UNDER SIZE
MECH	MECHANICAL	~V	VOLTAGE
NO (NON)	NONE	~W	WATT
OPT.	OPTIONAL	W/	WITH
O.S.	OVER SIZE	W/O	WITHOUT

SECTION 1 CRANKCASE GROUP - EH63, 64, 65

FIG. 100

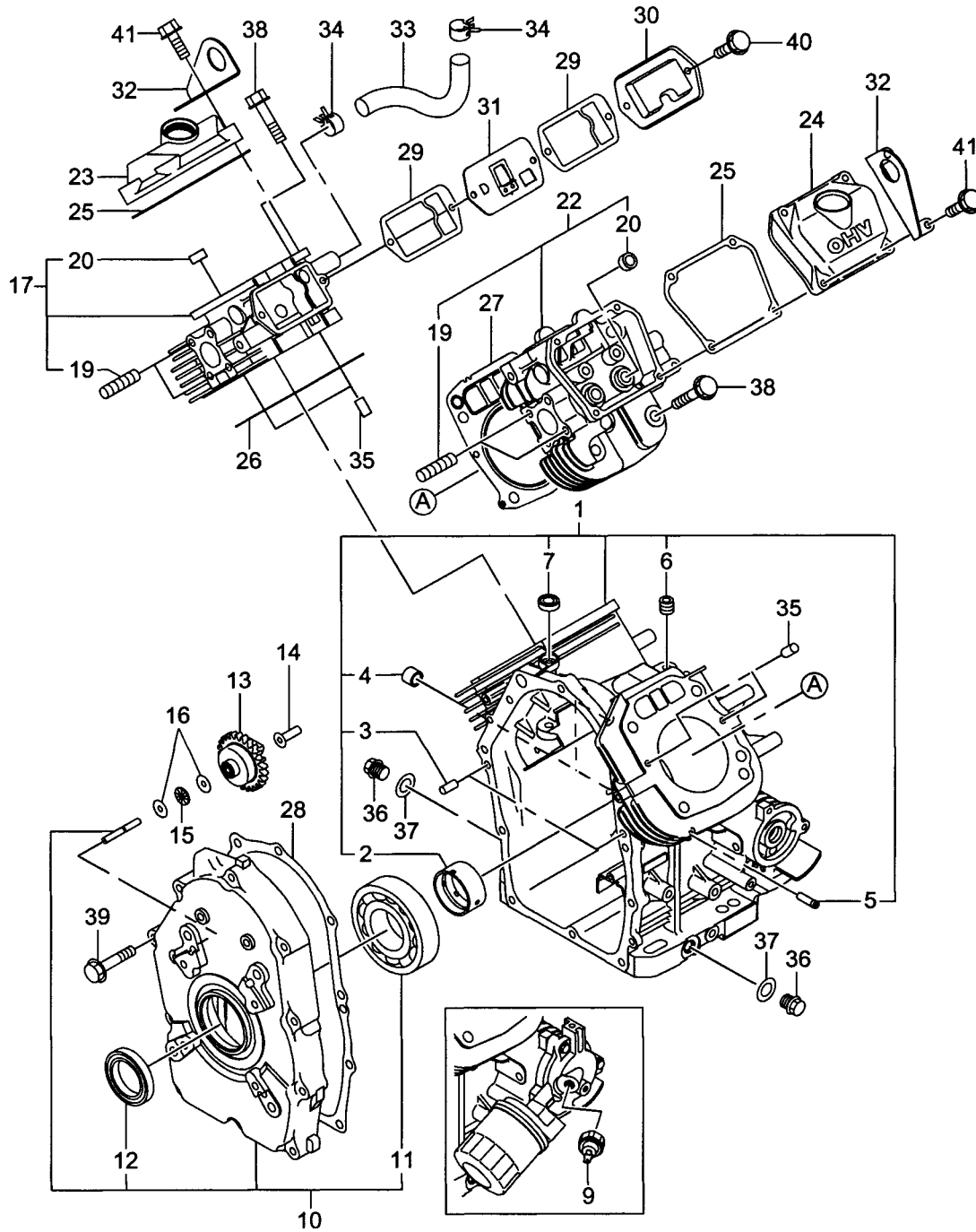


SECTION 1 CRANKCASE GROUP - EH63, 64, 65

REF.	PART NO.	DESCRIPTION	QTY.	REMARKS	FROM-TO	FIG.
1	263-10101-D1	CRANKCASE, compl.	1	Includes items 2 thru 9		100
2	263-15802-03	MAIN BEARING	1			100
3	X31-00800-80	DOWEL PIN	2			100
4	142-55601-03	PIPE	2			100
5	159-65401-03	PIPE (PULSE)	1			100
6	263-15911-A1	BLIND PLUG	1			100
7	044-00800-10	OIL SEAL	1			100
8	263-15901-03	UNION	1			100
9	045-01200-10	STEEL BALL	1			100
10	248-76301-01	SWITCH, OIL PRESSURE	1			100
*11	263-11001-B1	MAIN BEARING COVER, compl.	1	Ball bearing, pilot Ø 6.438		100
*11	263-11101-C1	MAIN BEARING COVER, compl.	1	Shell bearing, pilot Ø 6.438		100
*11	263-11002-B1	MAIN BEARING COVER, compl.	1	Ball bearing, pilot Ø 5.75		100
*11	263-11102-C1	MAIN BEARING COVER, compl.	1	Shell bearing, pilot Ø 5.75		100
12	060-04500-10	BALL BEARING	1			100
12	263-15802-03	MAIN BEARING	1			100
13	044-04200-30	OIL SEAL	1			100
14	263-45001-A1	GOVERNOR GEAR, compl.	1			100
15	263-41901-03	GOVERNOR SLEEVE	1			100
16	263-46214-A3	WASHER	2			100
*17	263-13001-A1	CYLINDER HEAD 1, compl.	1	Includes items 18 thru 22		100
18	263-14201-03	VALVE GUIDE	4			100
19	132-07AA0-50	SEAL - INTAKE VALVE	2			100
20	010-50802-90	STUD	8			100
21	X45-00600-10	STEEL BALL	1			100
22	263-16201-03	PLUG	1			100
*23	263-13101-A1	CYLINDER HEAD 2, compl.	1	Includes item 18 thru 21		100
24	246-15501-01	ROCKER COVER, compl.	2			100
25	246-16002-13	GASKET, rocker cover	2			100
26	263-15001-13	GASKET 1, cyl. head	1			100
27	263-15101-13	GASKET 2, cyl. head	1			100
28	263-16001-03	GASKET, main bearing cover	1			100
29	263-16006-03	GASKET, breather plate	2			100
30	263-14301-03	BREATHER COVER	1			100
31	263-14401-01	BREATHER PLATE, compl.	1			100
32	263-18001-03	RUBBER PIPE	1			100
33	263-68511-03	HOSE CLAMP	2			100
34	X31-00600-20	DOWEL PIN	4			100
35	040-11400-30	PLUG	2			100
36	021-11400-20	GASKET	2			100
37	X11-01000-30	FLANGE BOLT	8			100
38	X11-00800-90	FLANGE BOLT	10			100
39	X11-00600-30	FLANGE BOLT	10			100
40	263-46215-A3	THRUST BEARING	1			100
41	263-19001-A3	HOOK	2			100

SECTION 1 CRANKCASE GROUP - EH72

FIG. 110

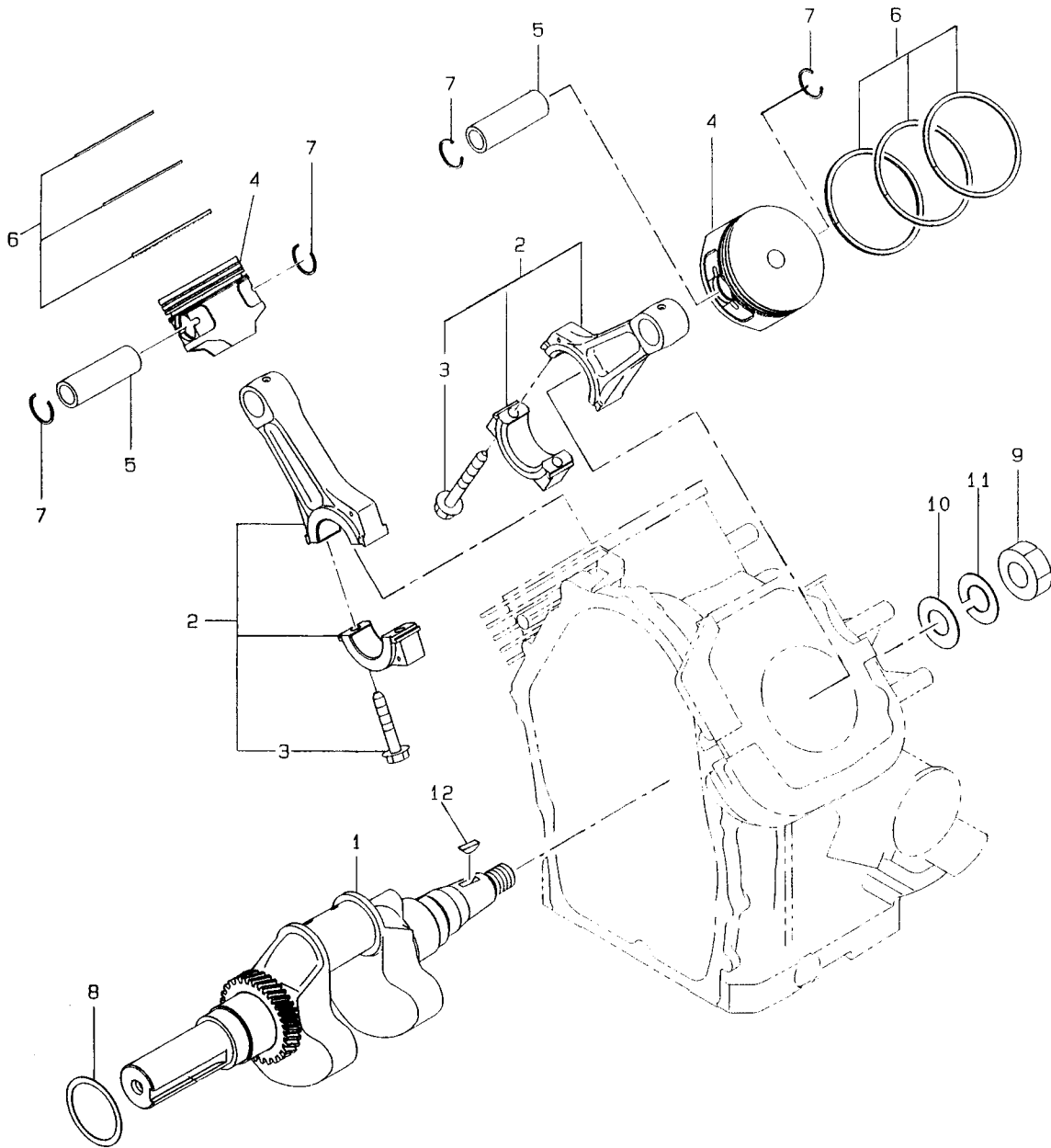


SECTION 1 CRANKCASE GROUP - EH72

REF.	PART NO.	DESCRIPTION	QTY.	REMARKS	FROM-TO	FIG.
*1	280-10101-A1	CRANKCASE, compl.	1	Includes items 2 thru 7		110
2	263-15802-03	MAIN BEARING	1			110
3	X31-00800-80	DOWEL PIN	2			110
4	142-55601-03	PIPE	2			110
5	159-65401-03	PIPE (PULSE)	1			110
6	263-15911-A1	BLIND PLUG, compl.	1			110
7	044-00800-10	OIL SEAL	1			110
9	248-76301-01	SWITCH OIL PRESSURE	1			110
*10	280-11004-A1	MAIN BEARING COVER, compl.	1	Includes items 11 and 12		110
11	060-04500-10	BALL BEARING	1			110
12	044-04200-30	OIL SEAL	1			110
13	263-45001-A1	GOVERNOR GEAR, compl.	1			110
14	263-41901-03	GOVERNOR SLEEVE	1			110
15	263-46215-A3	THRUST BEARING	1			110
16	263-46214-A3	WASHER	2			110
*17	280-13001-A1	CYLINDER HEAD 1, compl.	1	Includes items 19 and 20		110
19	010-50802-90	STUD	8			110
20	132-07AA0-50	SEAL-INTAKE VALVE	2			110
*22	280-13101-A1	CYLINDER HEAD 2, compl.	1	Includes items 19 and 20		110
23	263-15501-A3	ROCKER COVER	1			110
24	280-15501-A3	ROCKER COVER	1			110
25	263-16101-A3	GASKET, rocker cover	2			110
26	280-15001-03	GASKET 1, cyl. head	1			110
27	280-15101-03	GASKET 2, cyl. head	1			110
28	263-16001-A3	GASKET, main bearing cover	1			110
29	263-16006-03	GASKET, breather plate	2			110
30	263-14301-03	BREATHER COVER	1			110
31	280-14401-A1	BREATHER PLATE, compl.	1			110
32	280-19001-A3	HOOK	2			110
33	263-18001-03	RUBBER PIPE	1			110
34	263-68511-03	HOSE CLAMP	2			110
35	X31-00600-20	DOWEL PIN	4			110
36	040-11400-30	PLUG	2			110
37	021-11400-20	GASKET	2			110
38	X11-01000-70	FLANGE BOLT	8			110
39	X11-00802-20	FLANGE BOLT	10			110
40	X11-00600-30	FLANGE BOLT	2			110
41	X11-00601-01	FLANGE BOLT	8			110

SECTION 2 CRANKSHAFT GROUP

FIG. 200



SECTION 2 CRANKSHAFT GROUP

REF.	PART NO.	DESCRIPTION	QTY.	REMARKS	FROM-TO	FIG.
1	263-20902-B1	CRANKSHAFT, compl.	1	1.00" key-3/8-24 UNF tap		200
	263-21101-B1	CRANKSHAFT, compl.	1	1-1/8" key-7/16-20 UNF tap		200
	263-21001-A1	CRANKSHAFT, compl.	1	1-7/16" key-5/8-18 UNF tap		200
	263-21201-A1	CRANKSHAFT, compl.	1	SAE taper - 2.25/12-5/16-24UNF		200
	263-21301-B1	CRANKSHAFT, compl.	1	SAE pump - 1.00" threaded		200
	263-20201-01	CRANKSHAFT, compl.	1	Metric - 35mm key-M10x1.25T2		200
	263-20701-01	CRANKSHAFT, compl.	1	Metric taper-1/10-30mm-M10x1.5t2		200
1	280-21001-A1	CRANKSHAFT, compl.	1	EH72		200
*2	263-22501-00	CONNECTING ROD AY	2	Includes item 3		200
3	246-23001-13	CONNECTING ROD BOLT	2			200
4	263-23411-A3	PISTON	2	STD. - EH63, EH64, EH65		200
	263-23412-A3	PISTON	2	Oversize0.25mm EH63,EH64,EH65		200
	263-23413-A3	PISTON	2	Oversize0.50mm EH63,EH64 EH65		200
4	280-23401-A3	PISTON	2	STD. EH72		200
	280-23402-A3	PISTON	2	Oversize 0.25mm EH72		200
	280-23403-A3	PISTON	2	Oversize 0.50mm EH72		200
5	263-23301-03	PISTON PIN	2			200
6	263-23501-07	PISTON RING SET	2	STD EH63, EH64, EH65		200
	263-23502-07	PISTON RING SET	2	Oversize0.25mm EH63,EH64,EH65		200
	263-23503-07	PISTON RING SET	2	Oversize0.50mm EH63,EH64,EH65		200
6	280-23501-07	PISTON RING SET	2	STD. EH72		200
	280-23502-07	PISTON RING SET	2	Oversize 0.25mm EH72		200
	280-23503-07	PISTON RING SET	2	Oversize 0.50mm EH72		200
7	056-52100-20	CLIP	4			200
8	263-25011-A3	SPACER, t = 0.6	1	Select one piece only		200
	263-25012-A3	SPACER, t = 0.8	1	Select one piece only		200
	263-25013-A3	SPACER, t = 1.0	1	Select one piece only		200
9	002-18180-00	NUT	1			200
10	003-10180-00	WASHER	1			200
11	003-20180-00	SPRING WASHER	1			200
12	005-32054-01	WOODRUFF KEY	1			200
*	263-99001-07	GASKET SET		EH65 & EH72		

*The gasket set includes the following:
 Fig. 100/110 items 25, 26, 27, 28, 29, 36
 Fig. 600/610 items 8, 14, 22
 Exhaust gaskets in muffler groups

FIG. 300

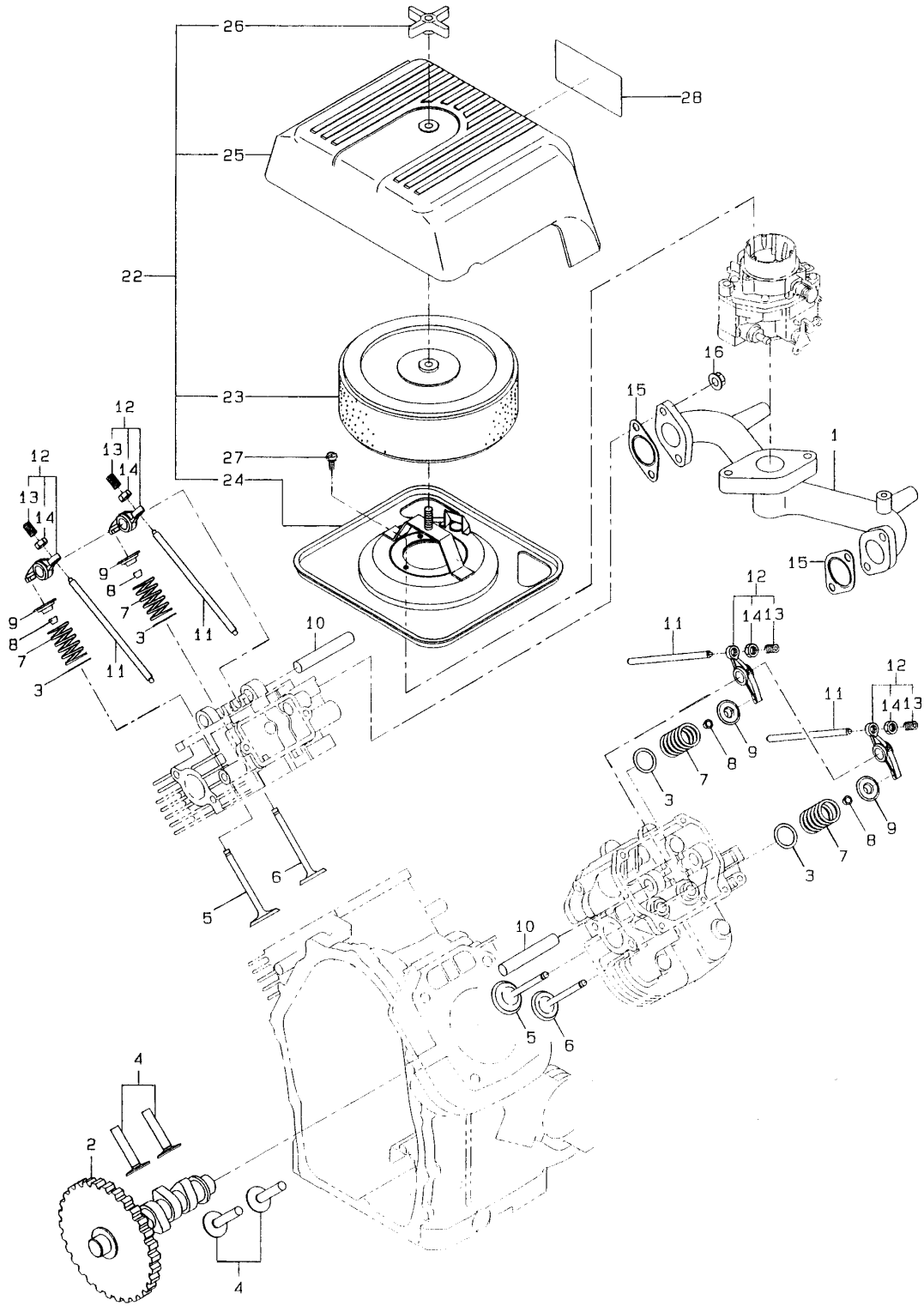
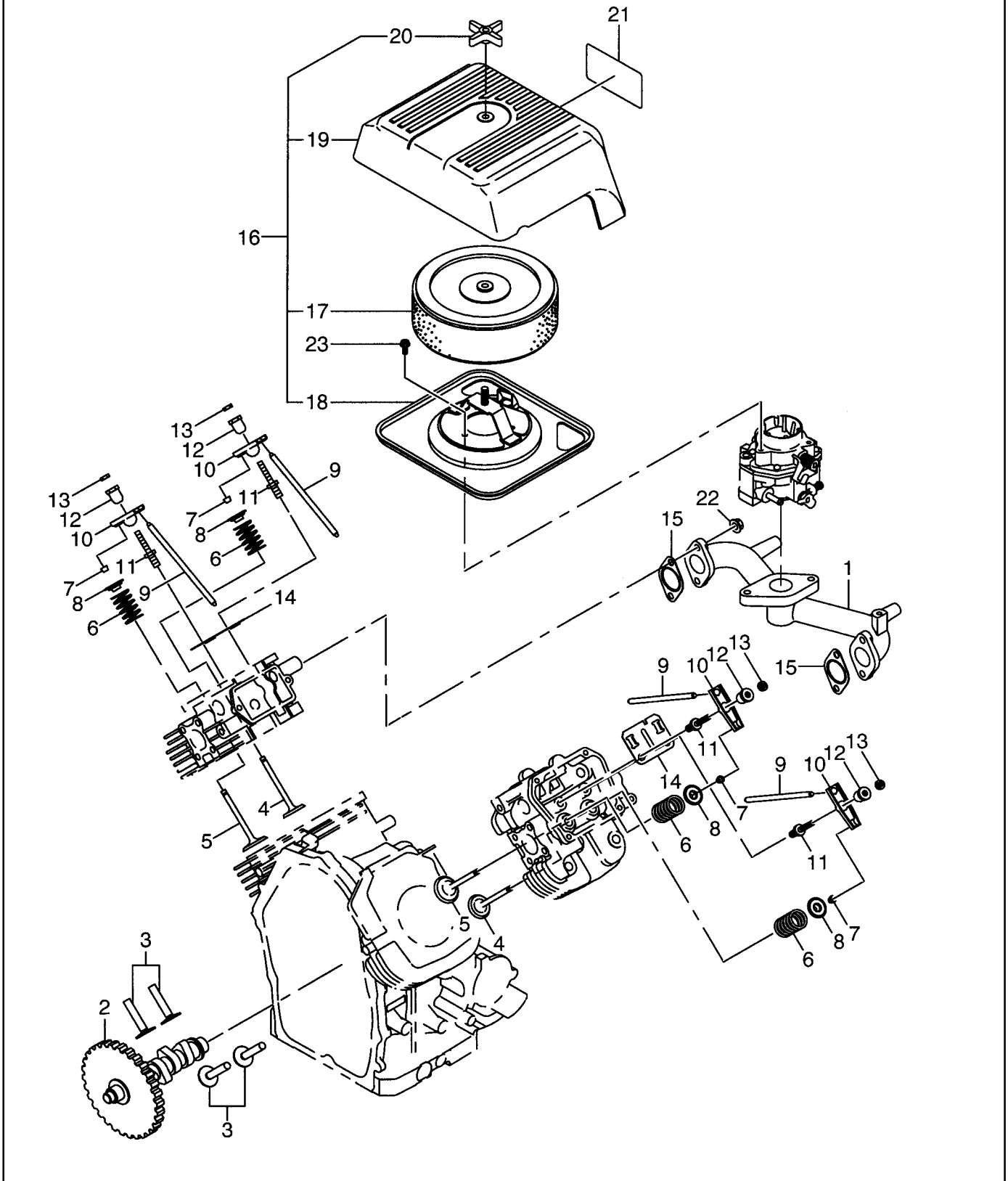
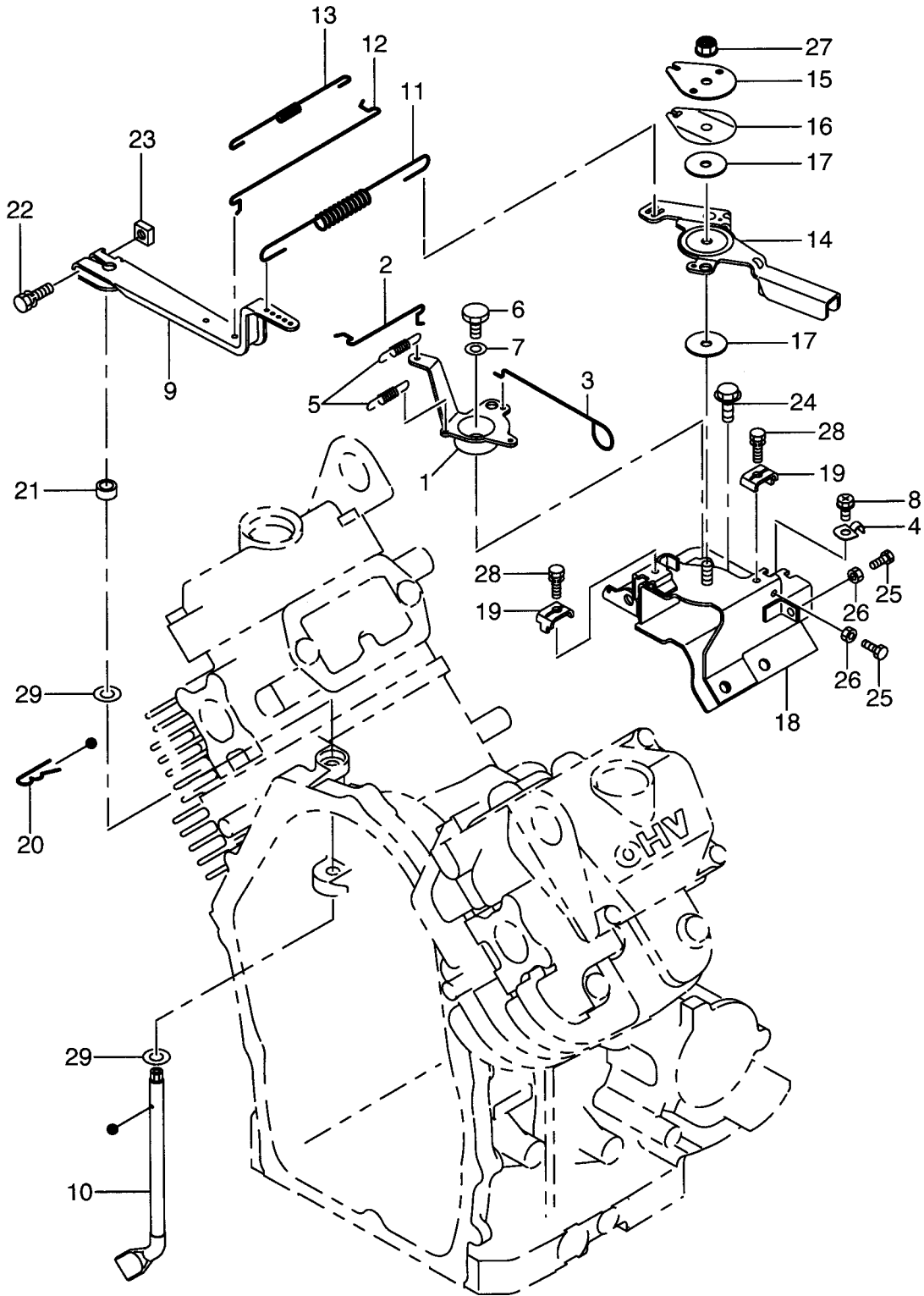


FIG. 310



SECTION 4 GOVERNOR GROUP

FIG. 400



SECTION 5 COOLING and STARTING GROUP

FIG. 500

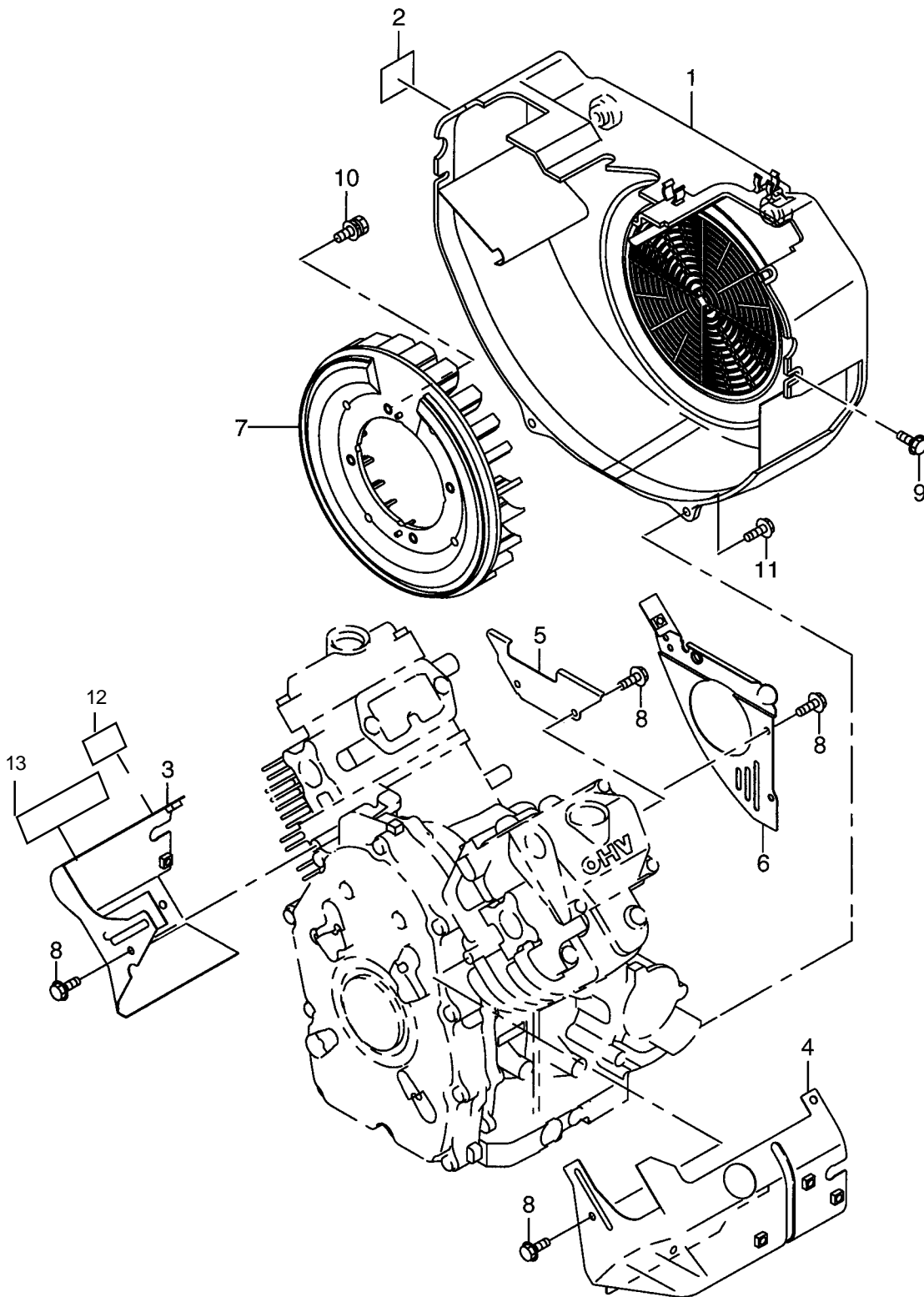
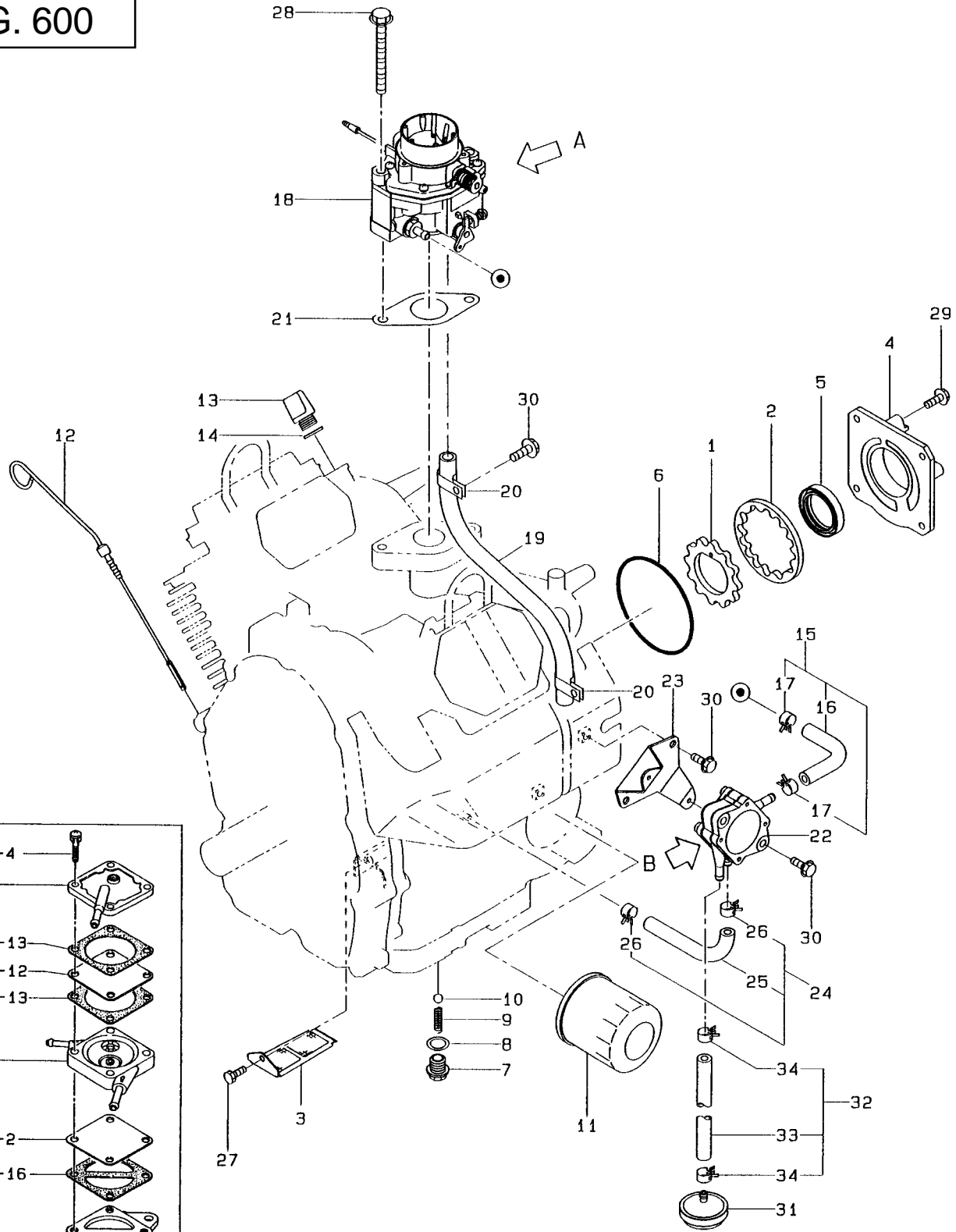


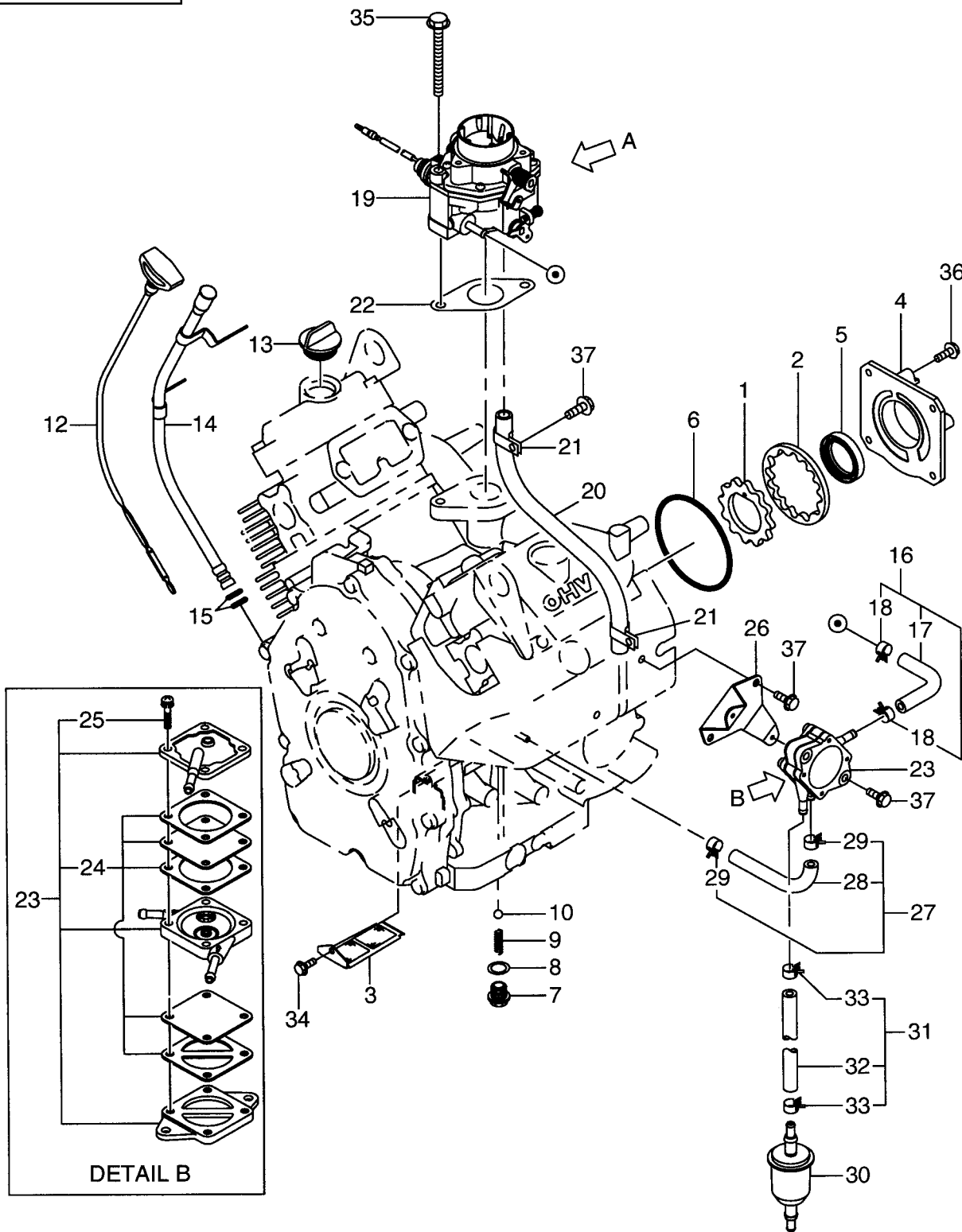
FIG. 600



SECTION 6 FUEL and LUBRICATION GROUP - EH63, 64, 65

REF.	PART NO.	DESCRIPTION	QTY.	REMARKS	FROM-TO	FIG.
1	263-63901-03	INNER ROTOR	1			600
2	263-63902-03	OUTER ROTOR	1			600
3	263-64302-02	OIL PUMP FILTER UNIT	1			600
4	263-64001-A1	OIL PUMP COVER, compl.	1			600
5	044-03500-90	OIL SEAL	1			600
6	X24-08900-20	O RING	1			600
7	263-65001-13	PLUG, oil relief	1			600
8	003-70140-00	GASKET, aluminum	1			600
9	248-65601-03	SPRING, relief valve	1			600
10	006-90308-00	STEEL BALL	1			600
11	248-65801-00	OIL FILTER AY	1			600
12	263-63603-01	OIL GAUGE, compl.	1		From 4323	600
12	263-63602-A1	OIL GAUGE, compl.	1		To 4322	600
13	263-63602-03	OIL FILTER CAP	1			600
14	021-31600-10	GASKET	1			600
15	263-62601-01	FUEL PIPE, compl.	1			600
16	263-68001-A3	RUBBER PIPE	1			600
17	263-68501-03	HOSE CLAMP	2			600
18	263-62303-00	CARBURETOR AY	1	EH65		600
	263-62403-00	CARBURETOR AY	1	EH64		600
	263-62503-00	CARBURETOR AY	1	EH63		600
19	160-67402-A3	VINYL PIPE	1			600
20	206-75501-01	CLAMP, compl.	2			600
21	263-66201-A3	GASKET, carburetor	1			600
22	248-62201-00	FUEL PUMP AY	1	Includes items -2 thru -16		600
-2	251-62200-08	DIAPHRAGM	1			600
-4	251-62250-08	SCREW	4			600
-12	251-62201-08	DIAPHRAGM	1			600
-13	251-62240-08	GASKET	2			600
-16	251-62235-08	GASKET	1			600
23	263-65002-A3	BRACKET, fuel pump	1			600
24	263-62650-01	PULSE PIPE CP	1			600
25	263-68051-A3	RUBBER PIPE	1			600
26	263-68501-03	HOSE CLAMP	2			600
27	263-65011-A1	FLANGE BOLT	1			600
28	X11-00801-10	FLANGE BOLT	2			600
29	X11-00601-40	FLANGE BOLT	4			600
30	X11-00600-20	FLANGE BOLT	6			600
31	263-65-012-A3	FUEL FILTER AY	1			600
32	263-62611-A1	FUEL PIPE CP	1			600
33	263-68002-A3	RUBBER PIPE	1			600
34	263-68501-03	HOSE CLAMP	2			600

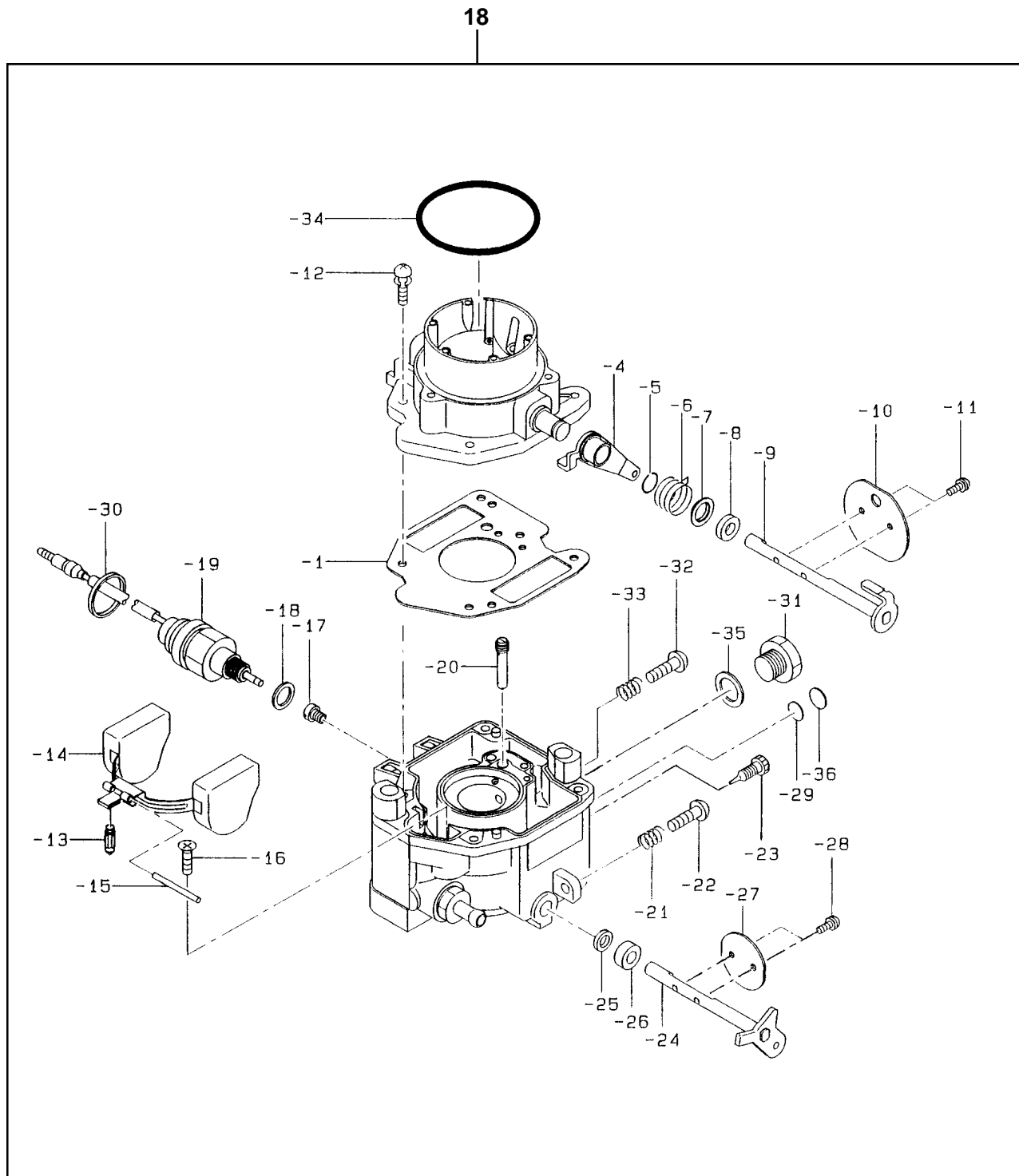
FIG. 610



SECTION 6 FUEL and LUBRICATION GROUP - EH72

REF.	PART NO.	DESCRIPTION	QTY.	REMARKS	FROM-TO	FIG.
1	263-63901-03	INNER ROTOR	1			610
2	263-63902-03	OUTER ROTOR	1			610
3	263-64302-02	OIL PUMP FILTER UNIT	1			610
*4	263-64001-A1	OIL PUMP COVER, compl.	1	Includes item 5		610
5	044-03500-90	OIL SEAL	1			610
6	X24-08900-20	O RING	1			610
7	263-65001-13	PLUG, oil relief	1			610
8	003-70140-00	GASKET, aluminum	1			610
9	248-65601-03	SPRING, relief valve	1			610
10	006-90308-00	STEEL BALL	1			610
12	263-63604-01	OIL GAUGE, compl.	1			610
13	280-63602-A1	OIL FILTER CAP, compl.	1			610
14	263-63622-01	GAUGE, compl.	1			610
15	024-01000-10	O RING	2			610
*16	263-62601-01	FUEL PIPE, compl.	1	Includes items 15 and 16		610
17	263-68001-A3	RUBBER PIPE (1/4"× 1/2")	1			610
18	263-68501-03	HOSE CLAMP	2			610
19	280-62301-20	CARBURETOR AY	1			610
20	160-67402-A3	VINYL PIPE	1			610
21	206-75501-01	CLAMP, compl.	2			610
22	263-66201-A3	GASKET, carburetor	1			610
*23	280-62201-00	FUEL PUMP AY	1	Includes items 23 and 25		610
24	251-62251-08	DIAPHRAGM GASKET SET	1			610
25	251-62250-08	SCREW	4			610
26	263-65002-A3	BRACKET, fuel pump	1			610
*27	263-62650-01	PULES PIPE, compl.	1	Includes items 28 and 29		610
28	263-68051-A3	RUBBER PIPE (1/4"× 1/2")	1			610
29	263-68501-03	HOSE CLAMP	2			610
30	263-65012-A3	FUEL FILTER	1			610
*31	263-62611-A1	FUEL PIPE, compl.	1	Includes items 32 and 33		610
32	263-68002-A3	RUBBER PIPE (1/4"× 1/2")	1			610
33	263-68501-03	HOSE CLAMP	2			610
34	X10-10500-10	FLANGE BOLT (10-32UNF-2A)	1			610
35	X11-00801-10	FLANGE BOLT (M8×80mm)	2			610
36	X11-00601-40	FLANGE BOLT (M6×18mm)	4			610
37	X11-00600-20	FLANGE BOLT (M6×12mm)	5			610

FIG. 700

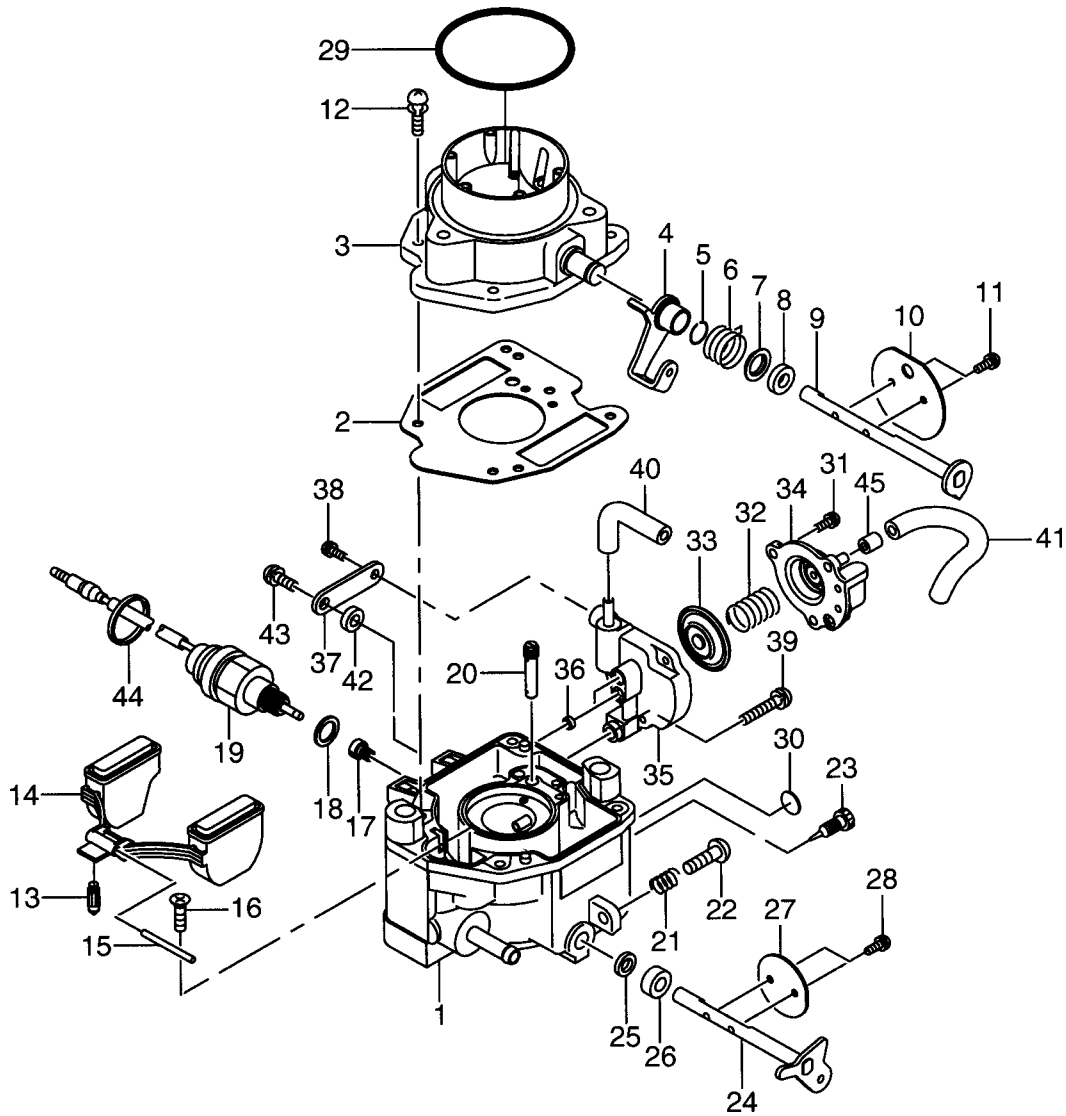


SECTION 7 CARBURETOR GROUP - EH63, 64, 65

REF.	PART NO.	DESCRIPTION	QTY.	REMARKS	FROM-TO	FIG.
18	263-62303-00	CARBURETOR AY, for EH65	1	Includes items -1 thru -36		700
	263-62403-00	CARBURETOR AY, for EH64	1	Includes items -1 thru -36		700
	263-62503-00	CARBURETOR AY, for EH 63	1	Includes items -1 thru -36		700
-1	258-62545-08	GASKET, air horn	1			700
-4	263-62524-08	LEVER AY, choke	1			700
-5	258-62551-08	RING, choke lever	1			700
-6	263-62445-08	SPRING, choke	1			700
-7	258-62553-08	COLLAR, choke	1			700
-8	258-62554-08	FILTER, choke shaft	1			700
-9	263-62520-08	SHAFT AY, choke	1			700
-10	258-62525-08	CHOKE VALVE	1			700
-11	258-62555-08	SCREW, valve set	2			700
-12	258-62450-08	SCREW, air horn set	4			700
-13	226-62501-08	VALVE, float	1			700
-14	258-62505-08	FLOAT AY	1			700
-15	258-62515-08	FLOAT PIN	1			700
-16	258-62556-08	SCREW, float pin set	1			700
-17	263-62400-08	MAIN JET #132	1			700
-18	258-62546-08	GASKET	1			700
-19	258-62557-18	SOLENOID VALVE AY	1			700
-20	258-62420-08	SLOW JET #60	1			700
-21	258-62445-08	SPRING, adjust screw	1			700
-22	258-62451-08	SCREW, throttle adjust	1			700
-23	261-62435-08	NEEDLE, idle adjust	1			700
-24	263-62532-08	THROTTLE SHAFT AY	1	EH63		700
	263-62531-08	THROTTLE SHAFT AY	1	EH64		700
	263-62530-08	THROTTLE SHAFT AY	1	EH65		700
-25	226-62580-08	FILTER, throttle shaft	1			700
-26	258-62570-08	COLLAR	1			700
-27	263-62535-08	THROTTLE VALVE	1			700
-28	261-62352-08	VALVE SET SCREW	2	M3 X 5mm		700
-29	258-62560-08	EXPANSION PLUG	1			700
-30	258-62566-08	CLAMP, solenoid	1			700
-31	263-62551-08	PLUG	1			700
-32	215-62353-08	SCREW	1			700
-33	215-62446-08	SPRING	1			700
-34	263-62560-08	O RING	1			700
-35	263-62555-08	GASKET	1			700
-36	263-62570-08	PLUG, anti tamper	1			700

SECTION 7 CARBURETOR GROUP - EH72

FIG. 710



SECTION 7 CARBURETOR GROUP - EH72

REF.	PART NO.	DESCRIPTION	QTY.	REMARKS	FROM-TO	FIG.
*1	280-62301-20	CARBURETOR AY	1	Includes items 2 thru 45		710
2	280-62545-08	GASKET, air horn	1			710
4	263-62524-08	LEVER AY, choke	1			710
5	258-62551-08	RING, choke lever	1			710
6	263-62445-08	SPRING, choke	1			710
7	280-62550-08	COLLAR, choke	1			710
8	258-62554-08	FILTER, choke shaft	1			710
9	263-62520-08	SHAFT ASS'Y, choke	1			710
10	258-62525-08	CHOKE VALVE	1			710
11	258-62555-08	SCREW, valve set	2			710
12	258-62450-08	SCREW, air horn set	4			710
13	226-62501-08	VALVE, float	1			710
14	280-62505-08	FLOAT AY	1			710
15	258-62515-08	FLOAT PIN	1			710
16	258-62556-08	SCREW, float pin set	1			710
17	280-62400-08	MAIN JET (#138)	1			710
18	258-62546-08	GASKET	1			710
19	258-62557-08	SOLENOID VALVE AY	1			710
20	280-62421-08	JET, slow (#48)	1			710
21	258-62445-08	SPRING, adjust screw	1			710
22	258-62451-08	SCREW, throttle adjust	1			710
23	261-62435-08	NEEDLE, idle adjust	1			710
24	280-62530-08	THROTTLE SHAFT AY	1			710
25	226-62580-08	FILTER, throttle shaft	1			710
26	258-62570-08	COLLAR	1			710
27	263-62535-08	THROTTLE VALVE	1			710
28	261-62352-08	VALVE SET SCREW (M3×5mm)	2			710
29	263-62560-08	ORING	1			710
30	261-62358-08	PLUG, ANTI TAMPER	1			710
31	280-62586-08	SCREW and WASHER AY	3			710
32	280-62320-08	SPRING	1			710
33	280-62358-08	DIAPHRAGM AY	1			710
34	280-62359-08	COVER AY	1			710
35	280-62360-08	BODY AY	1			710
36	280-62355-08	U RING	2			710
37	280-62589-08	HOLDER	1			710
38	280-62586-08	SCREW and WASHER AY	1			710
39	280-62587-08	SCREW, body set	1			710
40	280-62356-08	PIPE, connector	1			710
41	280-62357-08	PIPE, connector	1			710
42	280-62588-08	SPACER	1			710
43	280-62585-08	SCREW, holder set	1			710
44	258-62566-08	CLAMP, SOLENOID WIRE	1			710
45	280-62450-08	JET	1			710

FIG. 800

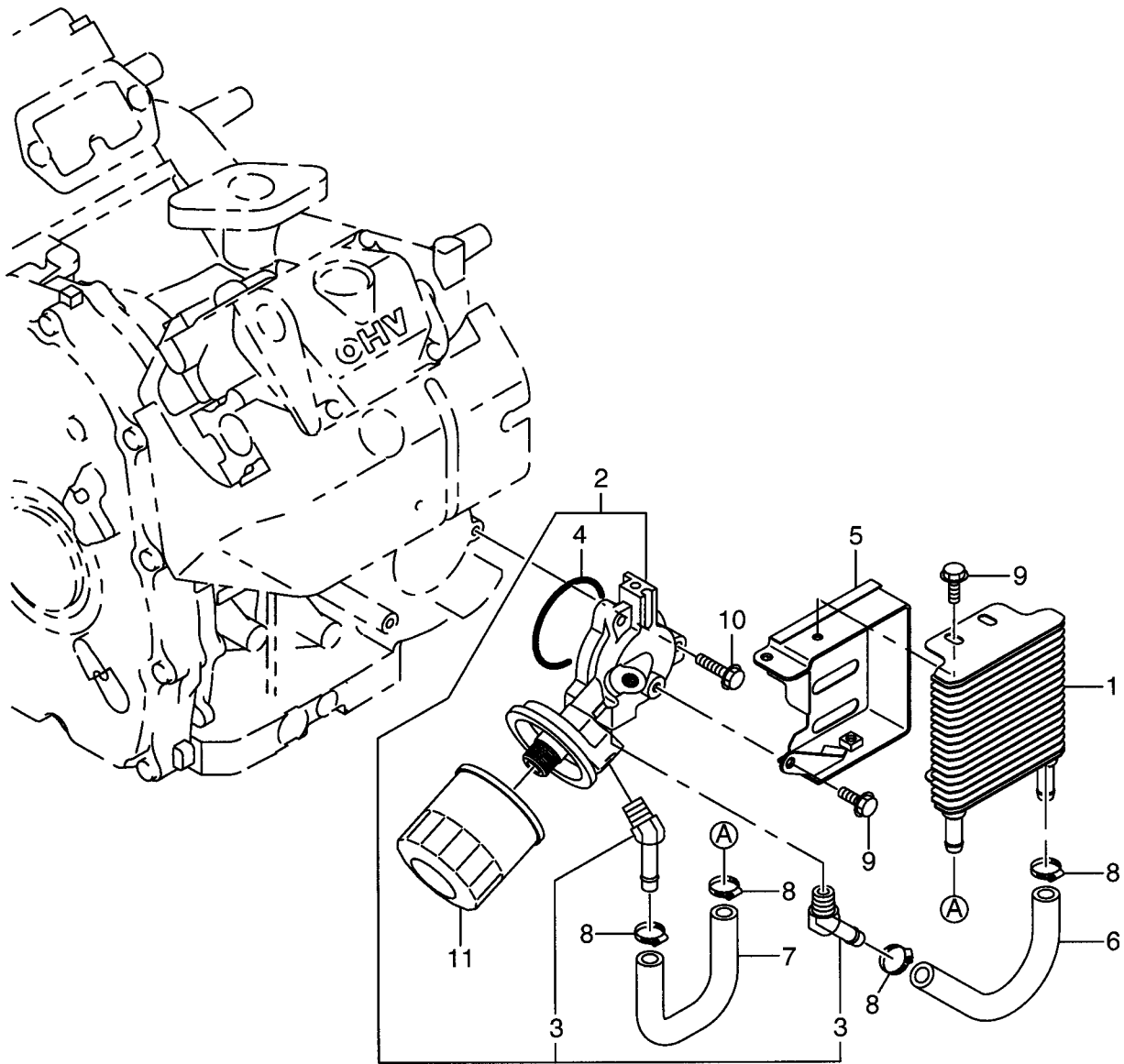
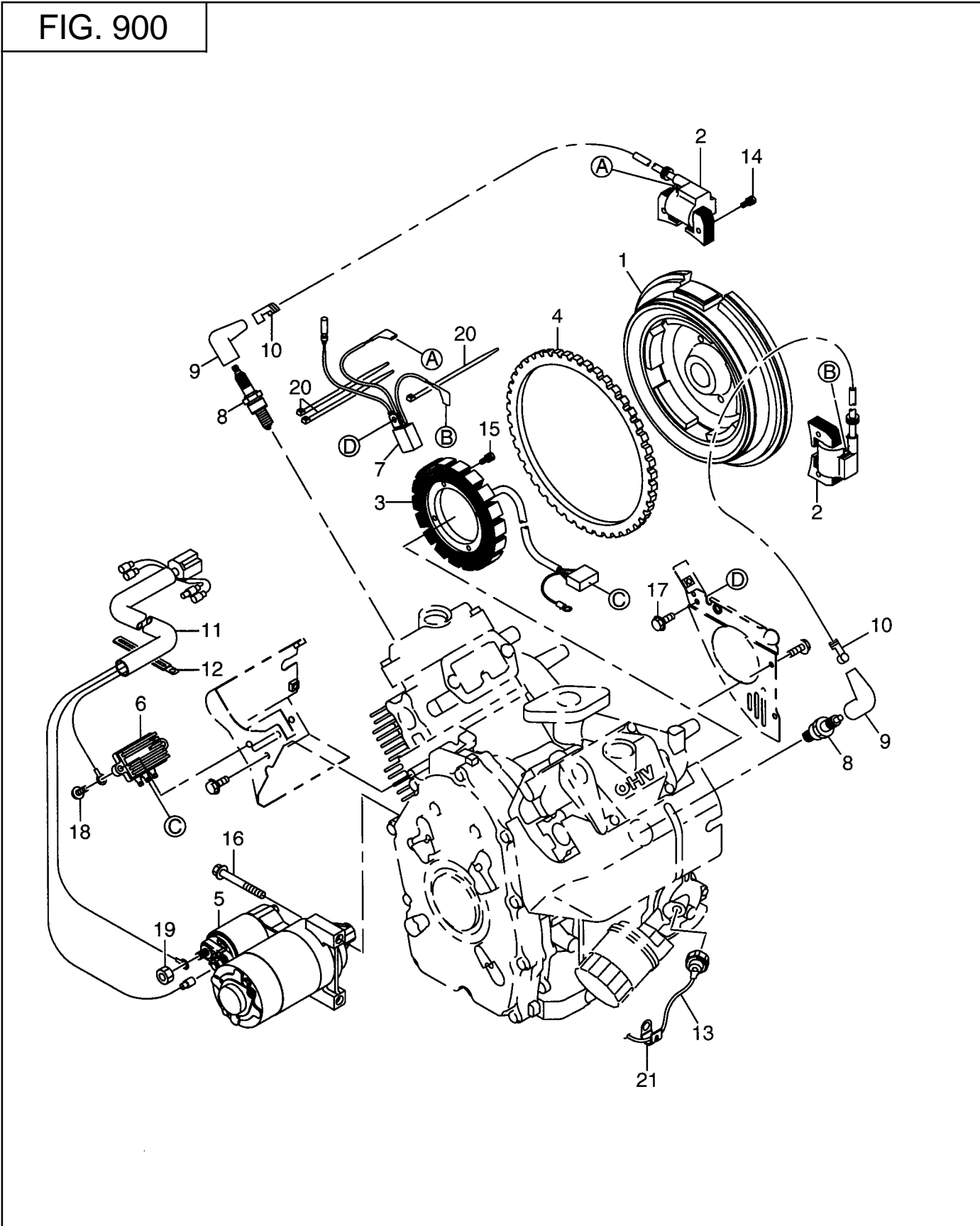


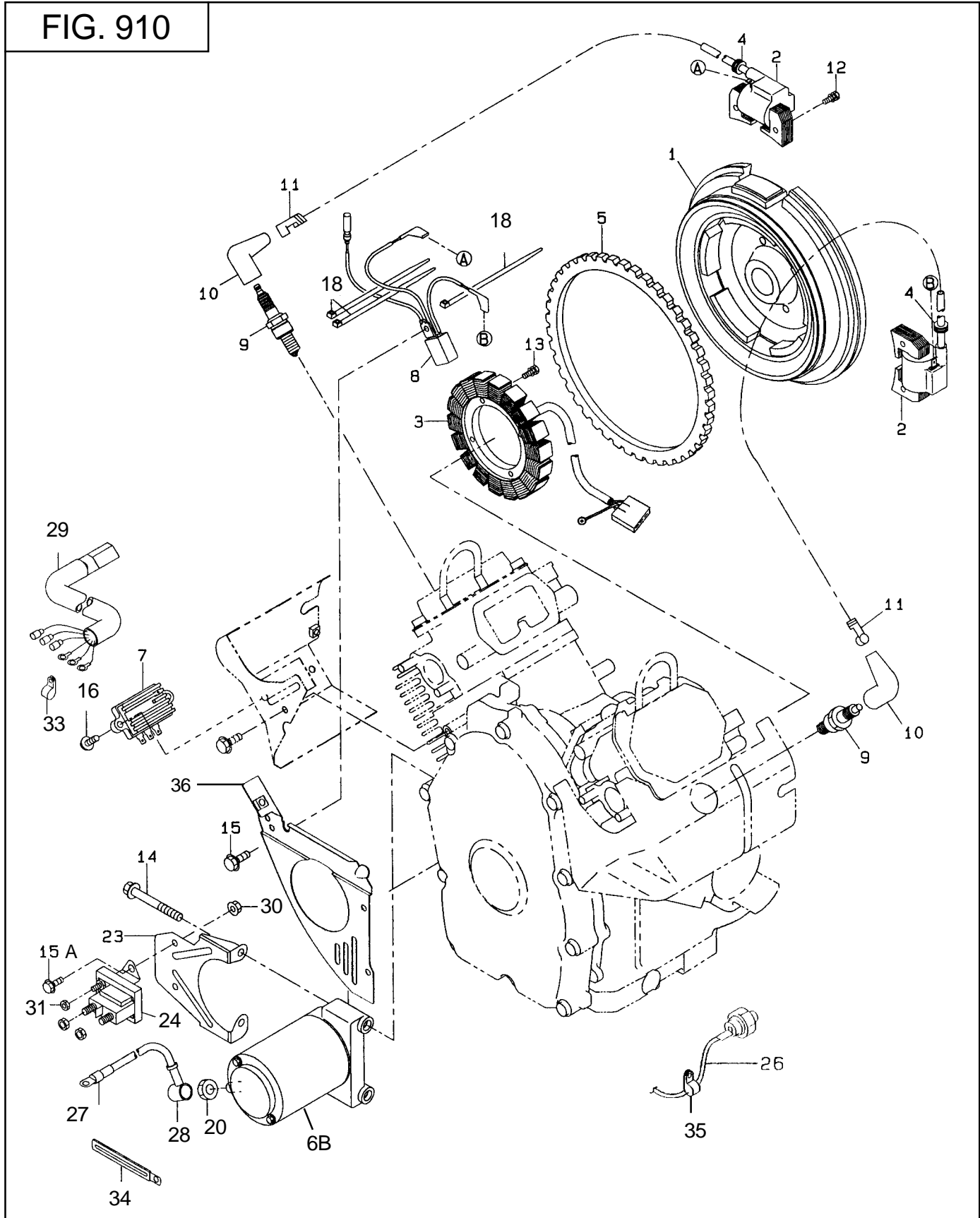
FIG. 900



SECTION 9

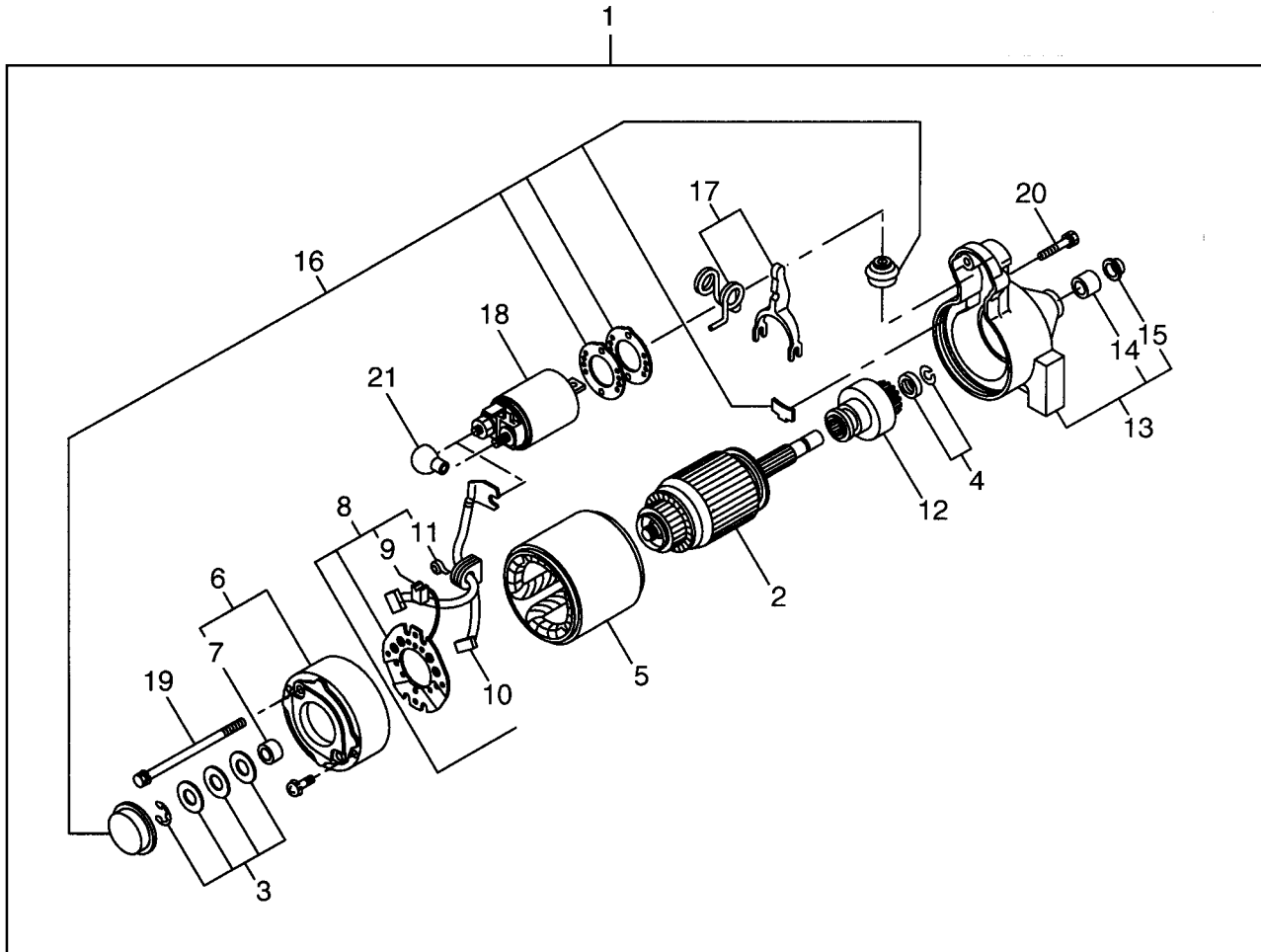
ELECTRIC DEVICE GROUP - OLD STYLE

FIG. 910



SECTION 10 STARTING MOTOR GROUP - NEW STYLE (HITACHI)

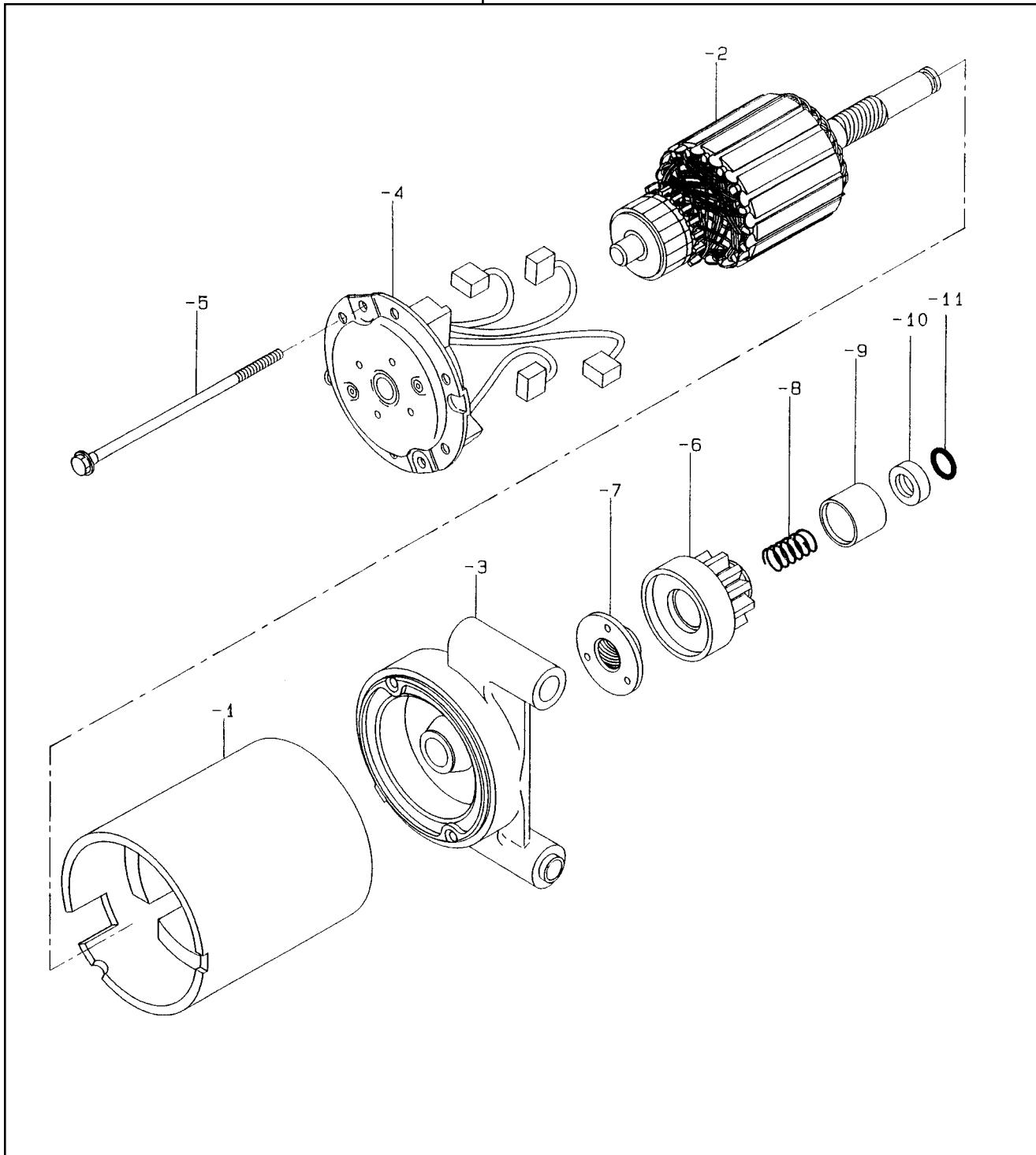
FIG. 1000



SECTION 11 STARTING MOTOR GROUP - OLD STYLE

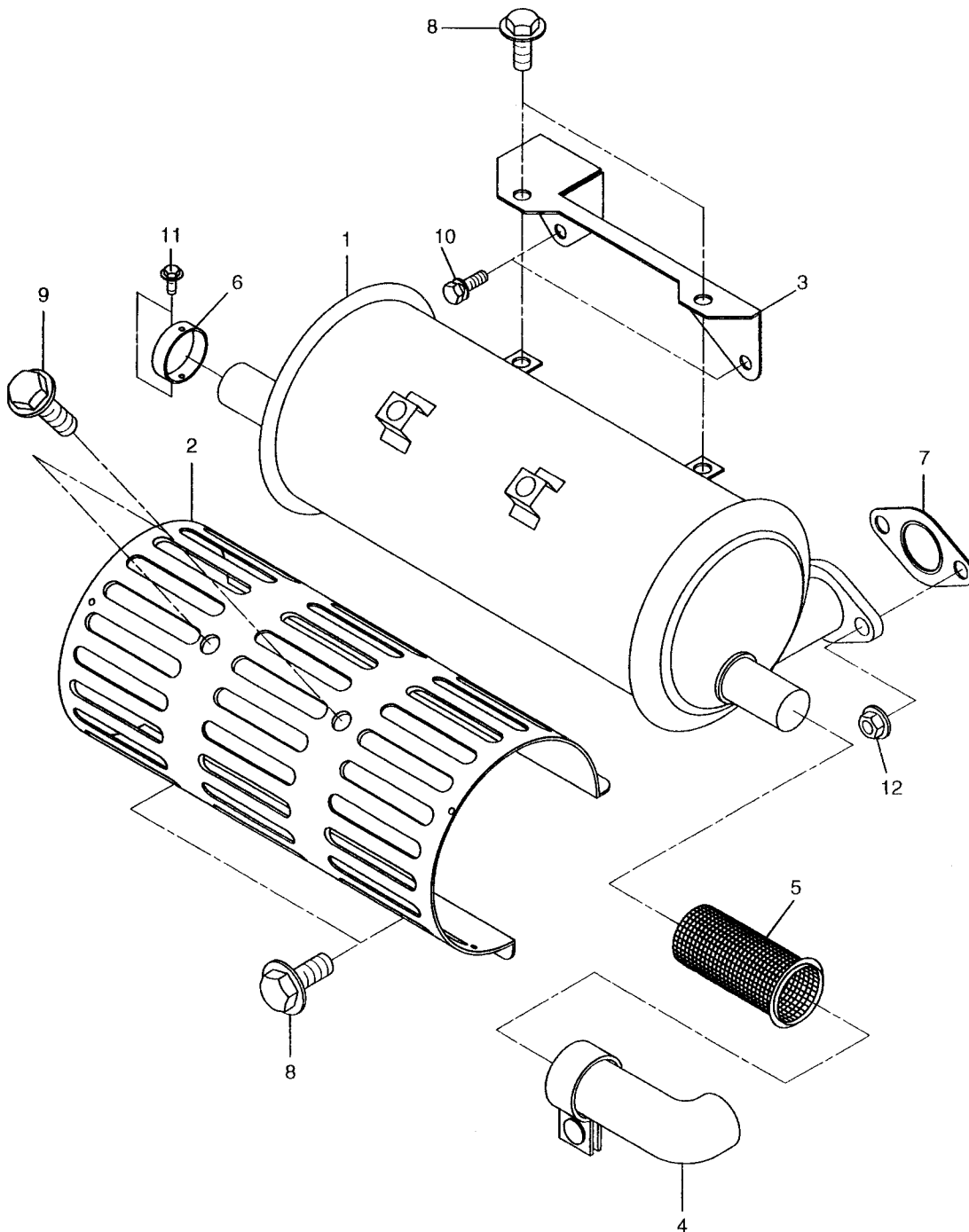
FIG. 1100

6B



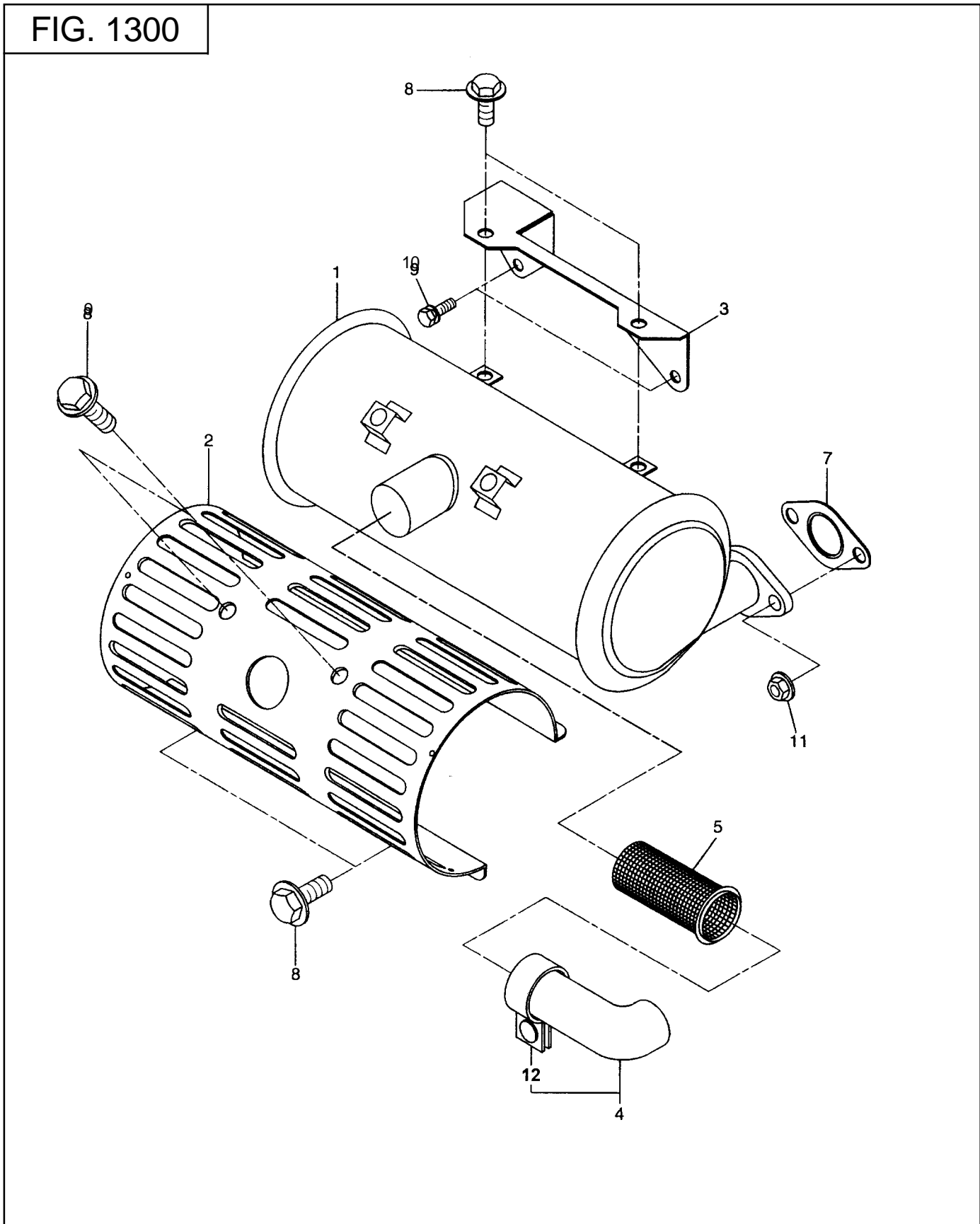
SECTION 12 ACCESSORY - MUFFLER, TOP MOUNT, SIDE OUTLET

FIG. 1200



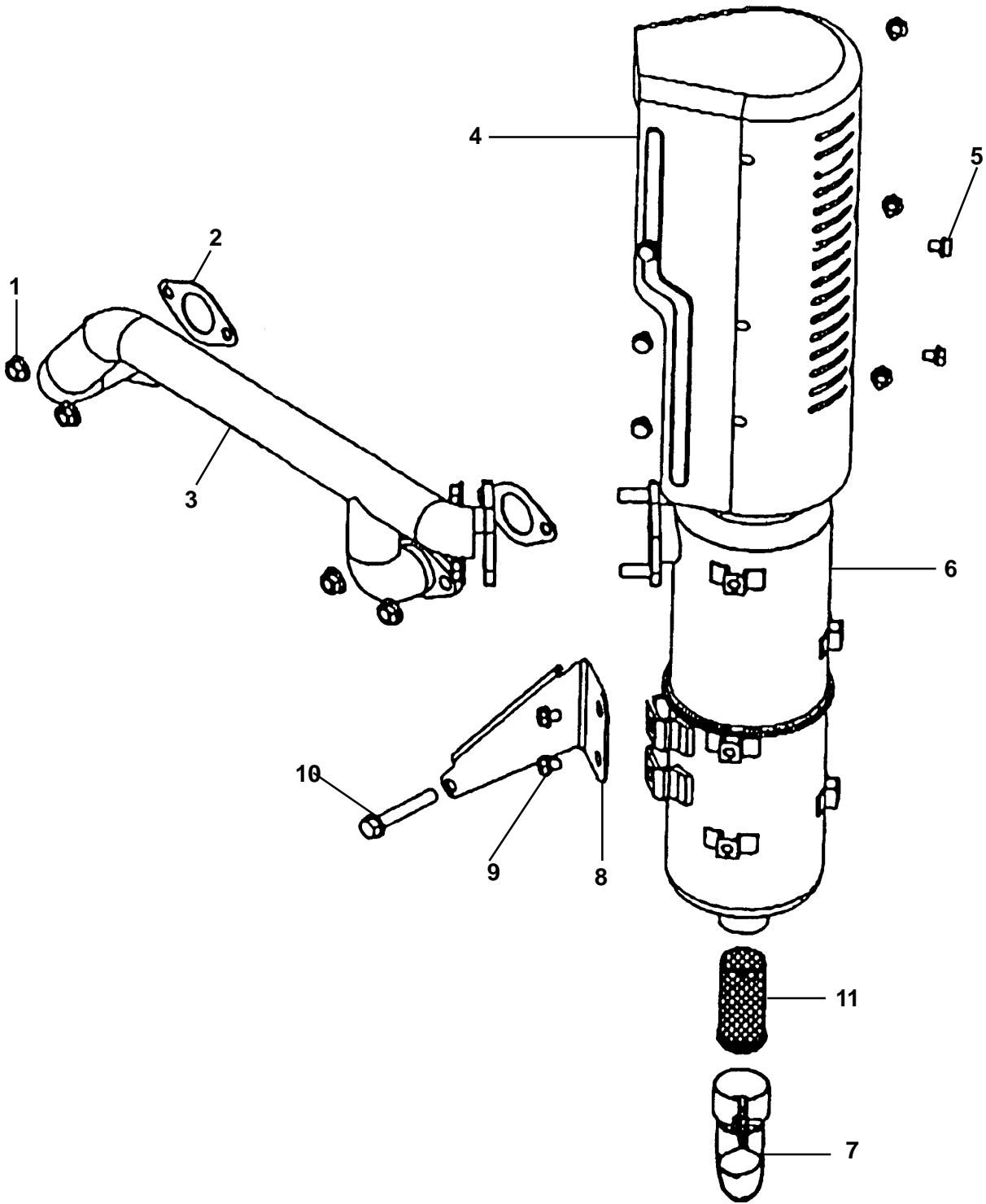
SECTION 13 ACCESSORY - MUFFLER, TOP MOUNT, REAR OUTLET

FIG. 1300



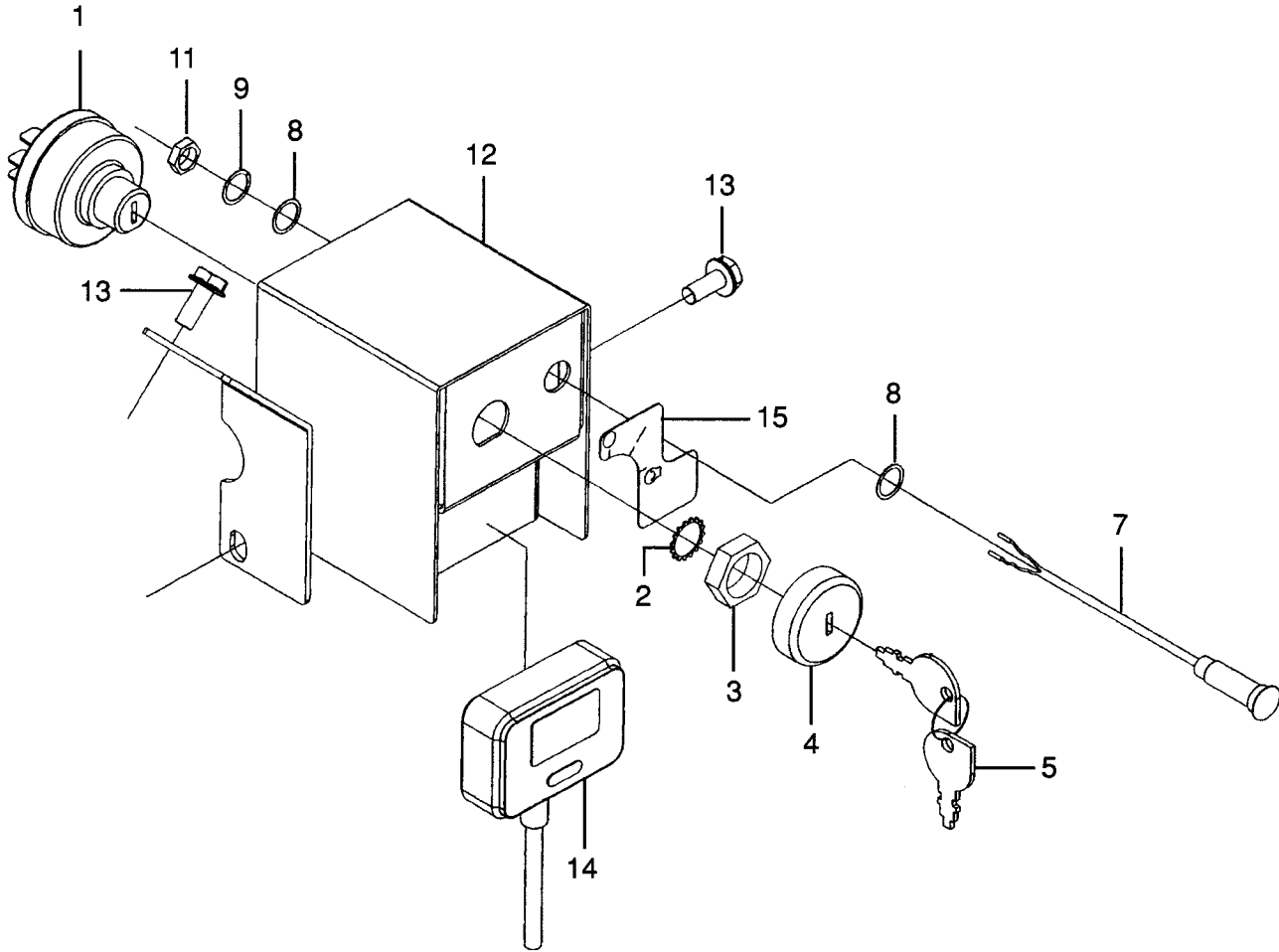
SECTION 14 ACCESSORY - MUFFLER, SIDE MOUNT OIL FILTER SIDE

FIG. 1400



SECTION 15 KEY SWITCH with TACHOMETER/HOUR METER

FIG. 1500



PRINTED IN THE USA