

# **PARTS MANUAL**

**Models**

**EX13, EX17, EX21  
ENGINE**

PUB-EP1676  
Rev. 07/05

# **Robin America, Inc.**

940 Lively Blvd. • Wood Dale, IL 60191 • Phone: 630-350-8200 • Fax: 630-350-8212  
e-mail: [sales@robinamerica.com](mailto:sales@robinamerica.com) • [www.robinamerica.com](http://www.robinamerica.com)

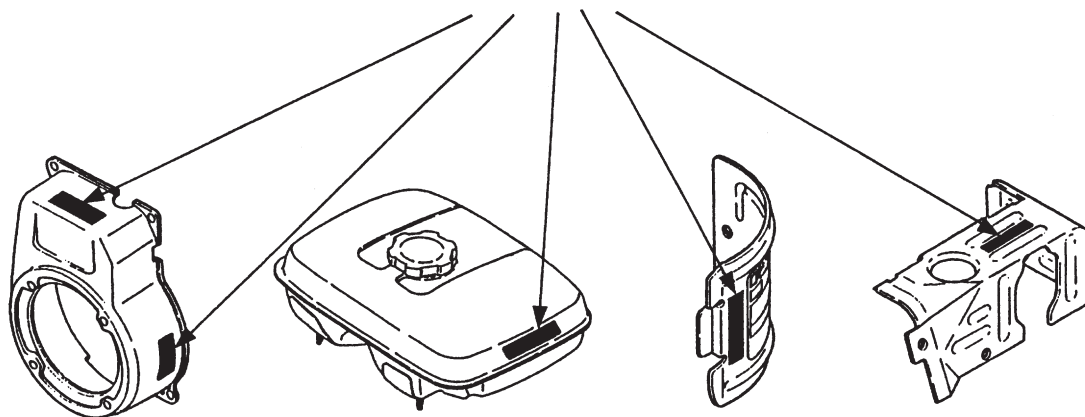
© Copyright 2005 Robin America, Inc.

## HOW TO USE THIS MANUAL

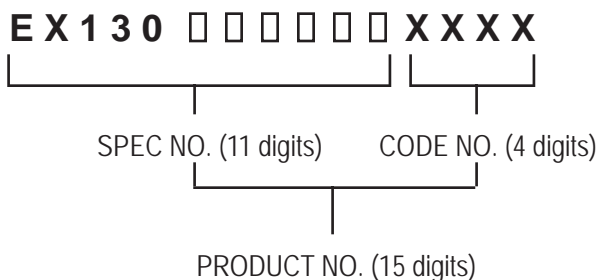
Robin engines are identified by MODEL, SPECIFICATION, and CODE NUMBER. For each model there may be many different versions called specifications. Each specification will be unique in some way. The difference may only be the paint color or it may have a different type of PTO or some other significant difference.

In order to identify the correct service part number, it is important to confirm the specification and code numbers for your engine. The specification and code number together are known as the PRODUCT NUMBER.

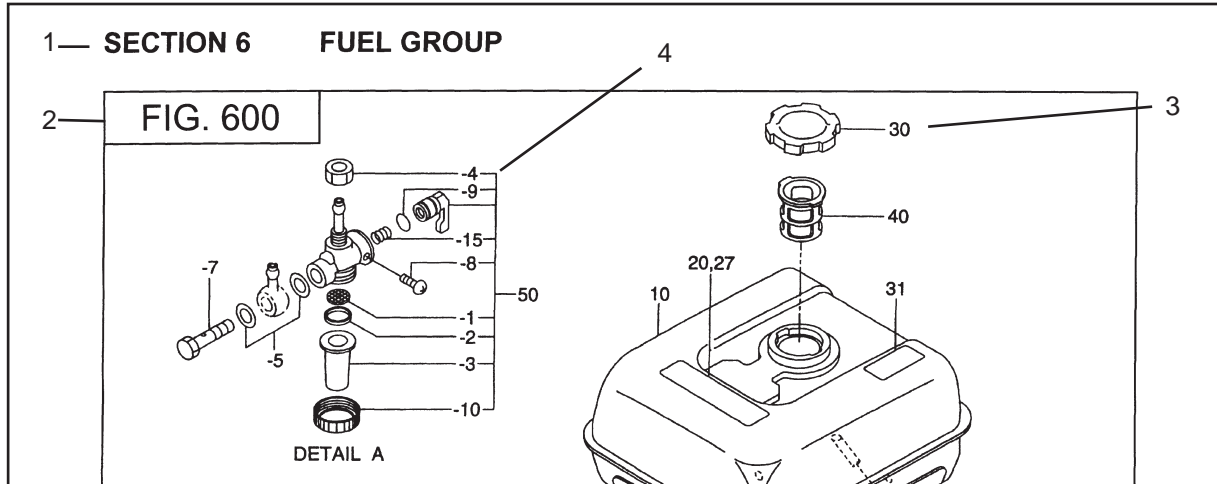
All Robin 4 cycle engines have a Product Number label similar to the label illustrated below.



The Product Number Label has a 15 digit alphanumeric string that consists of the SPECIFICATION (SPEC) number (11 digits) and the CODE number (4 digits). Please note the illustration below:



# MANUAL LAYOUT



REF.	PART NO.	DESCRIPTION	QTY.	REMARKS	FROM-TO	FIG.
10	267-60103-01	FUEL TANK CP	1	YD, YS TYPE, BLACK		600
	267-60101-01	FUEL TANK CP	1	YELLOW		600
27	073-20039-00	LABEL, WARNING	1	YD, YS TYPE		600
30	043-04300-15	FUEL TANK CAP CP	1			600
31	267-95201-03	LABEL, EMISSION	1	YD, YS TYPE		600
40	064-13600-10	FUEL FILTER	1			600
50	064-20021-01	FUEL STRAINER AY	1			600
-1	064-20002-20	FILTER	1			600
-2	064-20002-30	GASKET	1			600
-3	064-20019-10	CUP	1			600

1. SECTION NAME Parts are broadly classified according to their functions. Refer to the Group Index (table of contents) for respective section name.
2. FIG. No. The FIG. number indexes the reference and part numbers to the illustration. Figure numbers that vary only in the tens place (i.e.: 700 and 710) are in a group of the same section (i.e.:Electrical Device Group).
3. REF. No . The Reference number identifies the part illustration with the corresponding part number in the part list.
4. SUBASSEMBLY SUBASSEMBLY parts of part assembly are listed below the assembly part. The subassembly part reference number is indicated by the number led by "-" such as "-1", "-2".
5. PART NUMBER It is the number assigned for sales unit. Use the PART No. when making an order.
6. DESCRIPTION It is designation of the part.
7. QTY. Quantity of each part used for each product.
8. REMARKS This gives a distinctive feature and/or a supplementary comment for the type, the specification, and the part concerned. It also shows part number(s) interchangeable for the part.
9. FROM-TO This section shows the CODE No. to indicate the history of progress in which improved parts have been introduced in the product. The FROM-TO CODE No. helps to identify PART No. being employed in the product concerned. See the examples below:
  - The part is used in the product irrespective of CODE No.
  - 2101- The part is used in the products with CODE No. of 2101 and after this number.
  - 2100 The part is used in the products with CODE No. of 2100 and before this number.

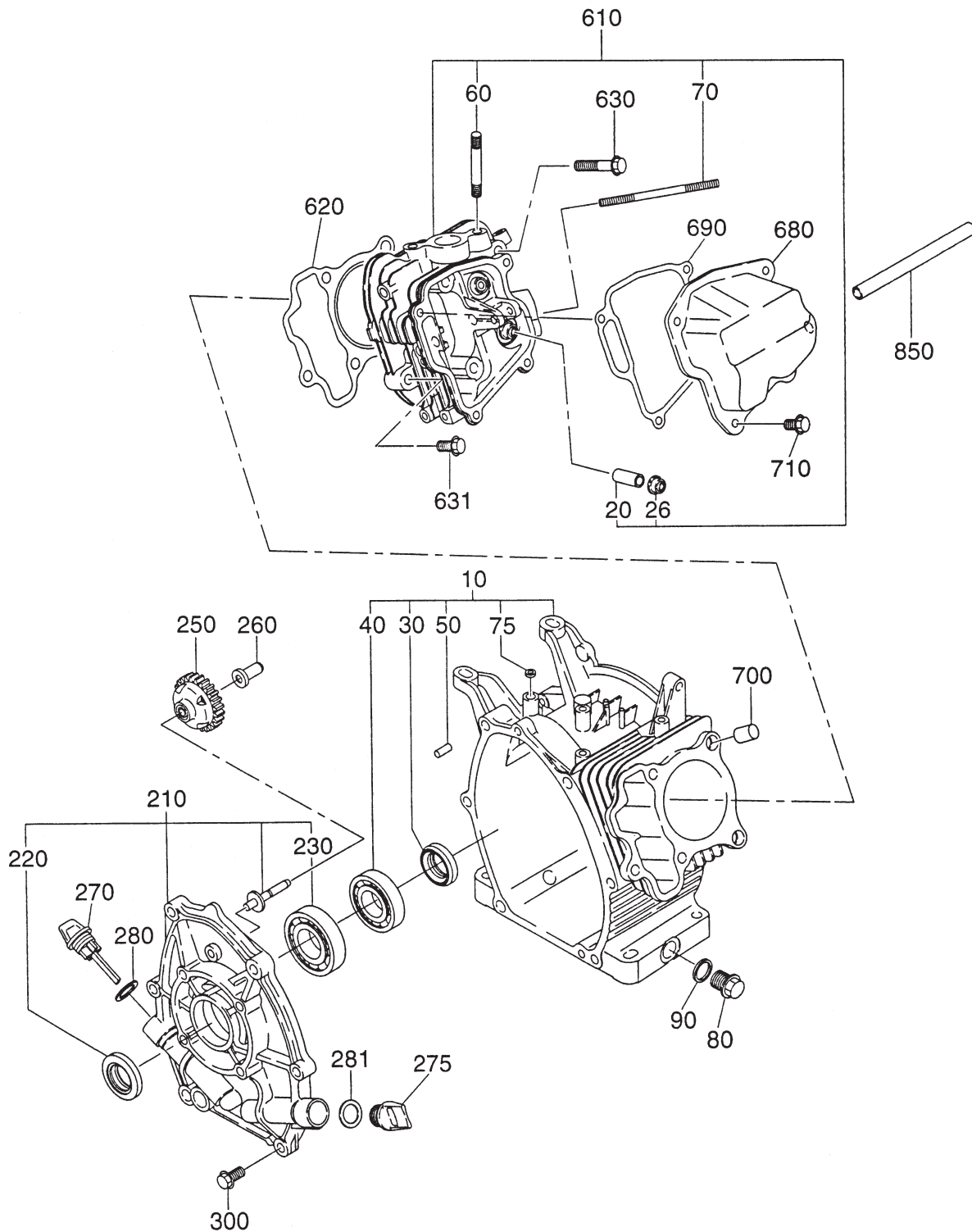
# GROUP INDEX

Group Name	Page
CRANKCASE GROUP .....	6
CRANKSHAFT GROUP .....	8
INTAKE and EXHAUST GROUP .....	10
GOVERNOR GROUP .....	18
COOLING and STARTING GROUP .....	22
FUEL, LUBRICANT GROUP .....	26
CARBURETOR GROUP .....	28
ELECTRIC DEVICE GROUP .....	32
ACCESSORY GROUP .....	38

INDEX OF DESCRIPTION SYMBOLS			
SYMBOL	DESCRIPTION	SYMBOL	DESCRIPTION
AY .....	ASSEMBLY	P= .....	PITCH (in mm)
CP .....	COMPLETE	P.T.O. (PTO) .....	POWER TAKE OFF
EX .....	EXPORT (from Japan)	REF .....	REFERENCE
FIG .....	FIGURE	R.H. (RH) .....	RIGHT HAND SIDE
FR .....	FRONT	RR .....	REAR
" .....	INCH	STD. ....	STANDARD
INCL. ....	INCLUDE	SW .....	SWITCH
-L .....	LITER	T= .....	THICKNESS (in mm)
L= .....	LENGTH (in. mm)	UN .....	UNIT
L.H. (LH) .....	LEFT-HAND SIDE	U.S. ....	UNDER SIZE
MECH .....	MECHANICAL	~V .....	VOLTAGE
NO (NON) .....	NONE	~W .....	WATT
OPT .....	OPTIONAL	W/ .....	WITH
O.S. ....	OVER SIZE	W/O .....	WITHOUT

SECTION 1 CRANKCASE GROUP

FIG. 100

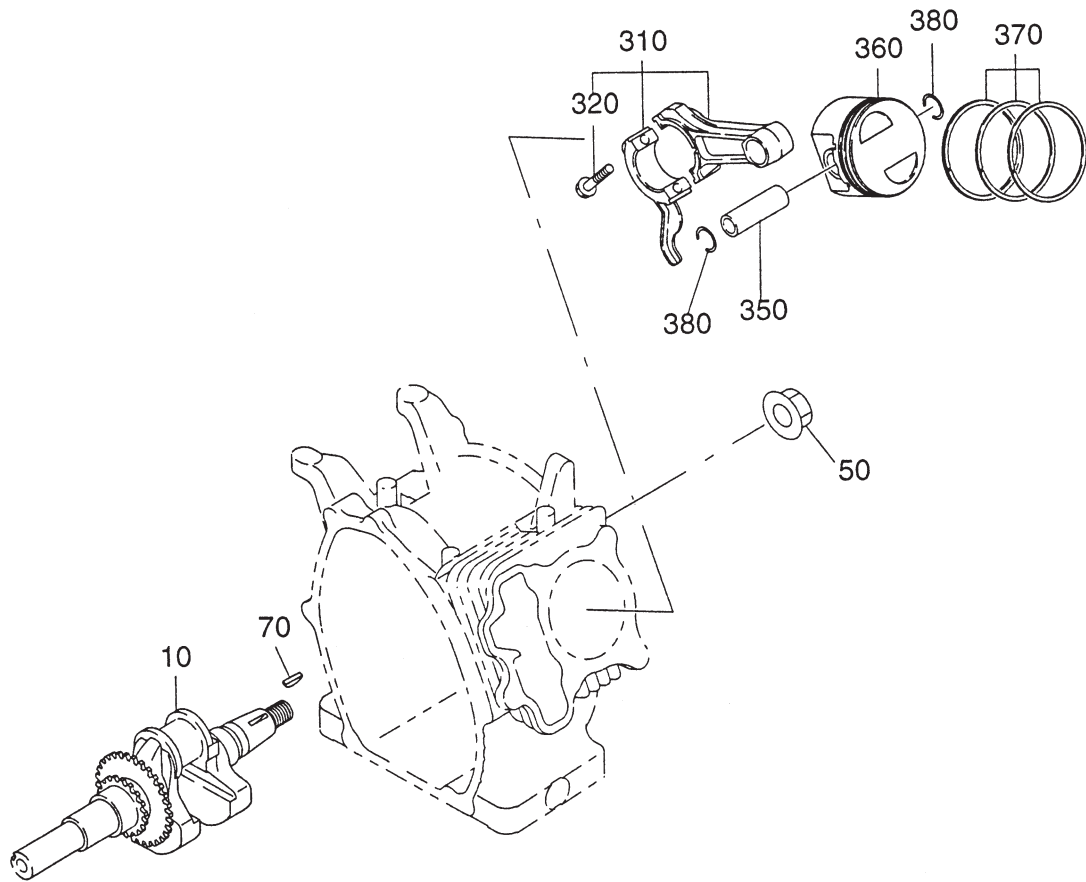


## SECTION 1 CRANKCASE GROUP

REF.	PART NO.	DESCRIPTION	QTY.	REMARKS	FROM-TO	FIG.
10	276-10102-41	CRANKCASE CP	1	EX13, w/ oil sensor		100
	276-10101-41	CRANKCASE CP	1	EX13, w/o oil sensor		100
10	277-10102-41	CRANKCASE CP	1	EX17, w/ oil sensor		100
	277-10101-41	CRANKCASE CP	1	EX17, w/o oil sensor		100
10	278-10102-41	CRANKCASE CP	1	EX21, w/ oil sensor		100
	278-10101-41	CRANKCASE CP	1	EX21, w/o oil sensor		100
20	237-14202-03	VALVE GUIDE	2			100
26	277-16010-01	STEM SEAL	1			100
30	044-02502-00	OIL SEAL	1			100
40	060-02800-21	BALL BEARING	1			100
50	277-15011-03	PIPE KNOCK	2			100
60	010-50802-50	STUD	2			100
70	010-50603-51	STUD	2			100
75	044-00600-20	OIL SEAL	1			100
80	040-11400-30	PLUG	2			100
90	021-11400-20	GASKET	2			100
210	277-11002-21	MAIN BEARING COVER CP	1	SAE		100
	277-11001-31	MAIN BEARING COVER CP	1	Metric		100
220	044-02502-10	OIL SEAL	1			100
230	060-02501-40	BALL BEARING	1			100
250	277-45004-H1	GOVERNOR GEAR CP	1			100
260	277-41901-03	GOVERNOR SLEEVE	1			100
270	277-63601-13	OIL GAUGE	1			100
275	277-65001-03	FILLER PLUG	1			100
280	021-31600-20	GASKET	1			100
281	021-31600-20	GASKET	1			100
300	001-04083-50	FLANGE BOLT	6			100
610	276-13001-01	CYLINDER HEAD CP	1	EX13, Old Style	~2099999	100
	276-13001-11	CYLINDER HEAD CP	1	EX13, New Style	2100000~	100
610	277-13001-01	CYLINDER HEAD CP	1	EX17, Old Style	~2099999	100
	277-13001-11	CYLINDER HEAD CP	1	EX17, New Style	2100000~	100
610	278-13001-01	CYLINDER HEAD CP	1	EX21, Old Style	~2099999	100
	278-13001-11	CYLINDER HEAD CP	1	EX21, New Style	2100000~	100
620	276-15001-13	GASKET, head	1	EX13		100
	277-15001-23	GASKET, head	1	EX17 and EX21		100
630	011-00802-40	FLANGE BOLT	4			100
631	001-04083-50	FLANGE BOLT	1			100
680	277-15501-01	ROCKER COVER CP	1			100
690	277-16001-03	GASKET, rocker cover	1			100
700	277-15011-03	PIPE KNOCK	2			100
710	011-00600-20	FLANGE BOLT	4			100
960	276-99001-07	GASKET SET	1	EX13		100
	277-99001-07	GASKET SET	1	EX17 and EX21		100
	EX0-20000-01	GASKET IN A TUBE				

SECTION 2 CRANKSHAFT GROUP

FIG. 200



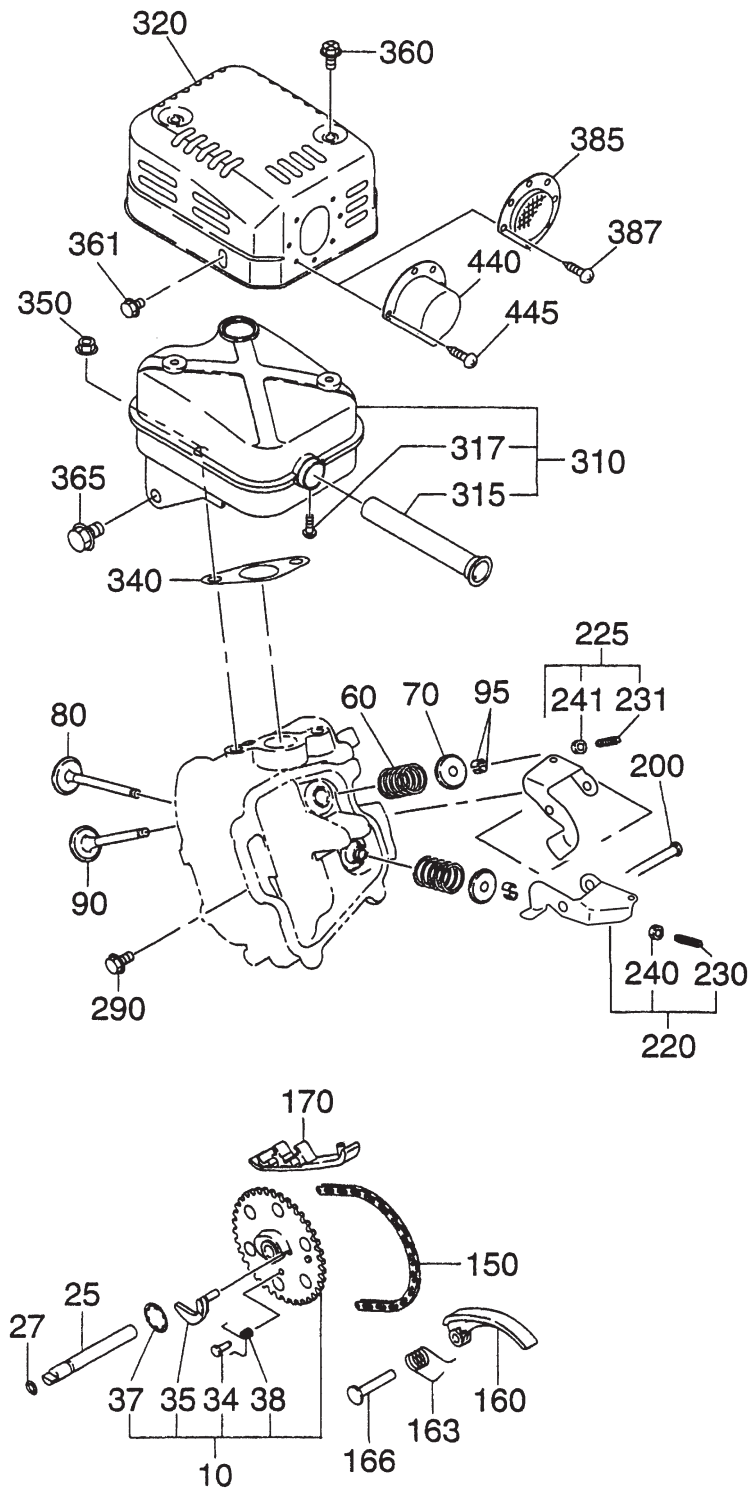


## SECTION 2 CRANKSHAFT GROUP

REF.	PART NO.	DESCRIPTION	QTY.	REMARKS	FROM-TO	FIG.
10	276-20901-31	CRANKSHAFT CP	1	3/4" key, 5/16 tap - EX13		200
	276-21001-21	CRANKSHAFT CP	1	5/8" Pump - EX13		200
	276-21201-21	CRANKSHAFT CP	1	SAE Taper - EX13		200
	276-20201-31	CRANKSHAFT CP	1	Metric 18mm		200
	276-20301-21	CRANKSHAFT CP	1	Metric Pump 18mm		200
	276-20701-21	CRANKSHAFT CP	1	Metric Taper		200
10	277-20901-21	CRANKSHAFT CP	1	3/4" key, 5/16 tap - EX13		200
	277-21001-21	CRANKSHAFT CP	1	5/8" Pump - EX13		200
	277-21201-21	CRANKSHAFT CP	1	SAE Taper - EX13		200
	277-20201-21	CRANKSHAFT CP	1	Metric 20mm		200
	277-20301-21	CRANKSHAFT CP	1	Metric Pump 20mm		200
	277-20701-21	CRANKSHAFT CP	1	Metric Taper		200
10	278-20901-31	CRANKSHAFT CP	1	3/4" key, 5/16 tap - EX13		200
	278-21001-31	CRANKSHAFT CP	1	5/8" Pump - EX13		200
	278-21201-31	CRANKSHAFT CP	1	SAE Taper - EX13		200
	278-20201-31	CRANKSHAFT CP	1	Metric 20mm		200
	278-20301-21	CRANKSHAFT CP	1	Metric Pump 20mm		200
	278-20701-21	CRANKSHAFT CP	1	Metric Taper		200
50	018-01400-20	FLANGE NUT	1			200
70	032-30300-10	WOODRUFF KEY	1			200
310	276-22501-10	CONNECTING ROD AY	1	EX13		200
	277-22501-10	CONNECTING ROD AY	1	EX17		200
	278-22501-10	CONNECTING ROD AY	1	EX21		200
320	277-23001-03	CONNECTING ROD BOLT	2			200
350	276-23301-03	PISTON PIN	1			200
	277-23301-03	PISTON PIN	1			200
360	276-23401-03	PISTON	1	STD, EX13		200
	276-23403-03	PISTON	1	Oversize 0.25mm, EX13		200
	276-23404-03	PISTON	1	Oversize 0.50mm, EX13		200
360	277-23401-03	PISTON	1	Std, EX17,EX21		200
	277-23403-03	PISTON	1	Oversize 0.25mm, EX17,21		200
	277-23404-03	PISTON	1	Oversize 0.50mm, EX17,21		200
370	276-23511-17	PISTON RING SET	1	STD, EX13		200
	276-23512-17	PISTON RING SET	1	Oversize 0.25mm, EX13		200
	276-23513-17	PISTON RING SET	1	Oversize 0.50mm, EX13		200
	276-23501-17	PISTON RING SET	1	STD, EX13 - 5pc		200
	276-23502-17	PISTON RING SET	1	Oversize 0.25mm, EX13 - 5pc		200
	276-23503-17	PISTON RING SET	1	Oversize 0.50mm, EX13 - 5pc		200
370	277-23511-17	PISTON RING SET	1	STD, EX11,21		200
	277-23512-17	PISTON RING SET	1	Oversize 0.25mm, EX117,21		200
	277-23513-17	PISTON RING SET	1	Oversize 0.50mm, EX17,21		200
	277-23501-17	PISTON RING SET	1	STD, EX17,21 - 5pc		200
	277-23502-17	PISTON RING SET	1	Oversize 0.25mm, EX17,21 - 5pc		200
	277-23503-17	PISTON RING SET	1	Oversize 0.50mm, EX17,21 - 5pc		200
380	215-25004-03	CLIP	2	EX13		200
	056-51600-10	CLIP	2	EX17,21		200

SECTION 3 INTAKE and EXHAUST GROUP - New Style

FIG. 300

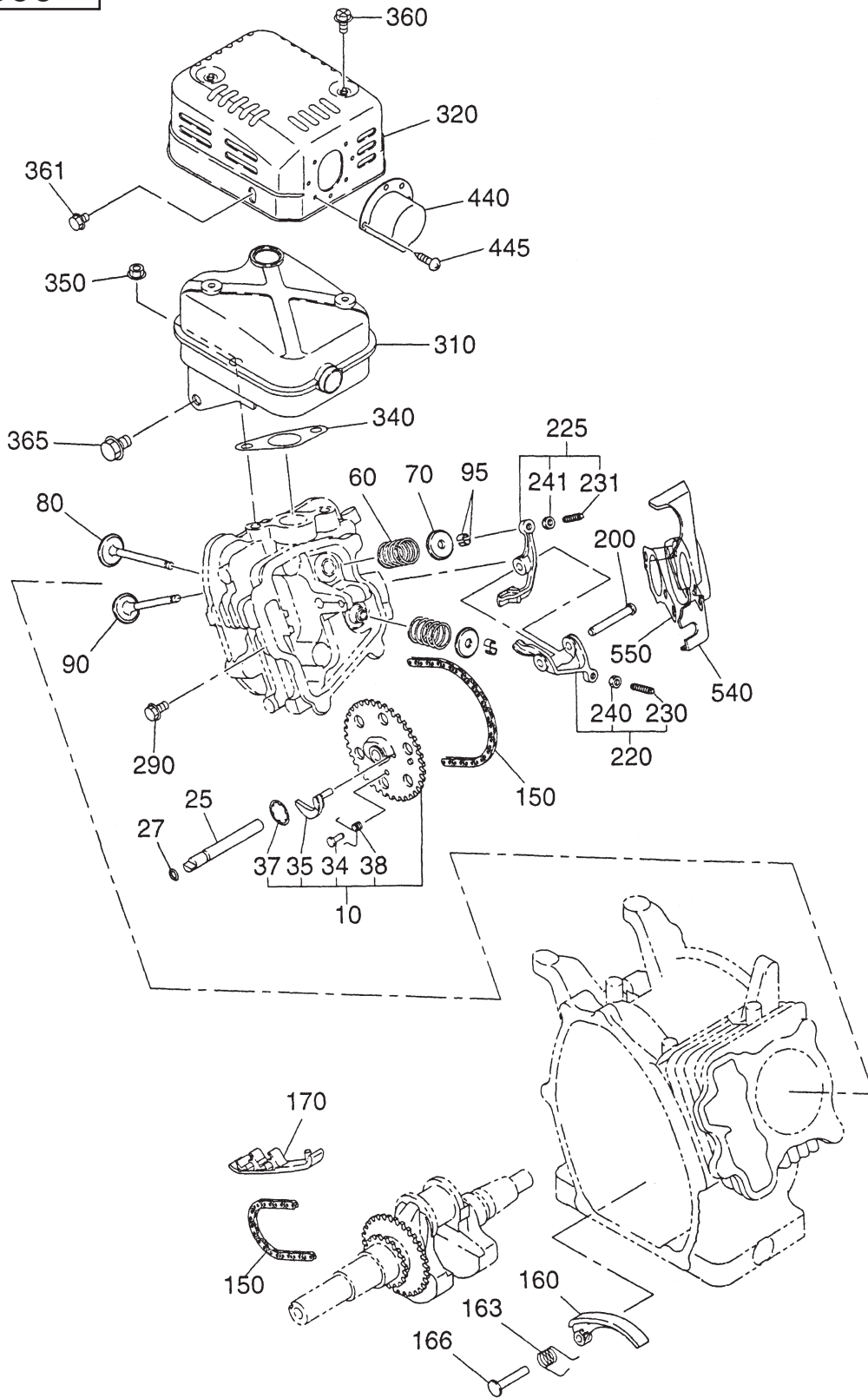


## SECTION 3 INTAKE and EXHAUST GROUP - New Style

REF.	PART NO.	DESCRIPTION	QTY.	REMARKS	FROM-TO	FIG.
10	277-31601-11	CAMSHAFT	1		2100000~	300
25	277-35101-03	PIN, camshaft	1		2100000~	300
7	024-00600-10	O RING	1		2100000~	300
34	277-38601-03	PIN, spring	1		2100000~	300
35	277-36401-03	RELEASE LEVER	1		2100000~	300
37	277-36501-03	CLIP	1		2100000~	300
38	277-38702-03	RETURN SPRING	1		2100000~	300
60	279-33601-03	VALVE SPRING	2		2100000~	300
70	269-33701-03	RETAINER VALVE SPRING	2		2100000~	300
80	276-33401-33	INTAKE VALVE	1	EX13	2100000~	300
	277-33401-13	INTAKE VALVE	1	EX17,21	2100000~	300
90	276-33501-33	EXHAUST VALVE	1	EX13	2100000~	300
	277-33501-13	EXHAUST VALVE	1	EX17,21	2100000~	300
95	132-10KA0-31	COLLET VALVE	4		2100000~	300
150	276-35601-11	TIMING CHAIN	1	EX13	2100000~	300
	277-35601-11	TIMING CHAIN	1	EX17	2100000~	300
	278-35601-11	TIMING CHAIN	1	EX21	2100000~	300
160	277-36911-03	TENTIONER	1		2100000~	300
163	277-37101-03	SPRING, tentioner	1		2100000~	300
166	277-36902-03	PIN, tentioner	1		2100000~	300
170	277-36913-13	CHAIN GUIDE	1		2100000~	300
200	277-35002-01	PIN, rocker	1		2100000~	300
210	003-13050-00	CLIP	1		2100000~	300
220	277-36201-00	ROCKER ARM AY, intake	1		2100000~	300
225	277-36202-00	ROCKER ARM AY, exhaust	1		2100000~	300
230	014-90500-20	ADJUST SCREW	2		2100000~	300
240	017-00500-30	NUT	2		2100000~	300
290	011-00600-20	FLANGE BOLT	1		2100000~	300
310	276-30101-11	MUFFLER CP	1	EX13	2100000~	300
	277-30101-11	MUFFLER CP	1	EX17	2100000~	300
	278-30101-11	MUFFLER CP	1	EX21	2100000~	300
310	276-30111-01	MUFFLER CP	1	EX13 w/spark arrestor	2100000~	300
	277-30111-01	MUFFLER CP	1	EX17,21 w/spark arrestor	2100000~	300
315	277-37601-01	SPARK ARRESTOR	1		2100000~	300
317	015-00400-60	TAPPING SCREW	1		2100000~	300
320	277-34201-11	MUFFLER COVER	1		2100000~	300
340	277-35201-13	GASKET, muffler	1		2100000~	300
350	980-20082-80	FLANGE NUT	2		2100000~	300
360	015-20600-90	TAPPING BOLT	2		2100000~	300
361	011-00600-10	FLANGE BOLT	1		2100000~	300
365	011-00801-50	FLANGE BOLT	1		2100000~	300
385	277-37203-01	SCREEN CP	1		2100000~	300
387	018-00400-60	TAPPING SCREW	2		2100000~	300
440	277-37001-01	DEFLECTOR	1		2100000~	300
445	015-00400-60	TAPPING SCREW	2		2100000~	300

SECTION 3 INTAKE and EXHAUST GROUP - Old Style

FIG. 300

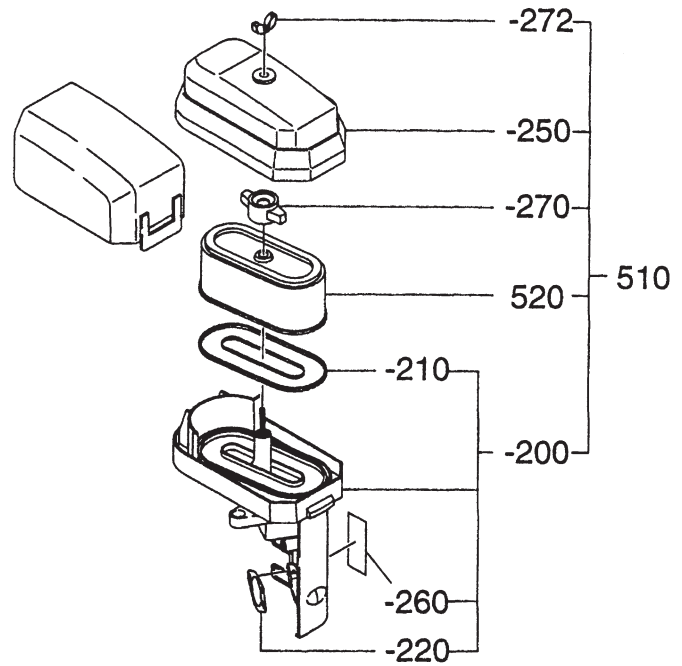
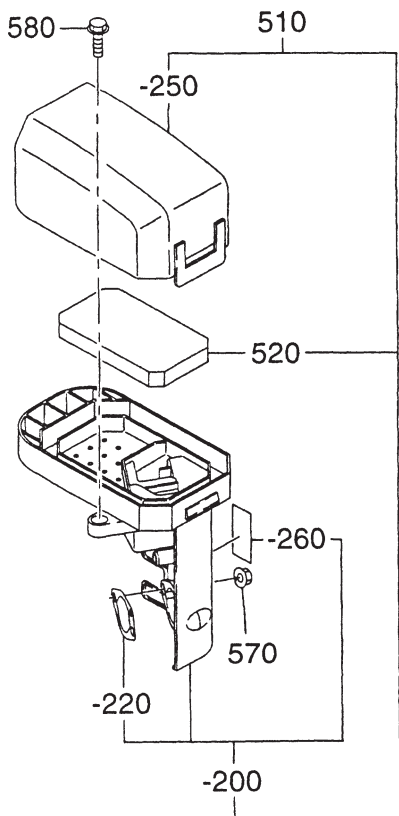


### SECTION 3 INTAKE and EXHAUST GROUP - Old Style

REF.	PART NO.	DESCRIPTION	QTY.	REMARKS	FROM-TO	FIG.
10	277-31601-01	CAMSHAFT	1		~2099999	300
25	277-35101-03	PIN, camshaft	1		~2099999	300
27	024-00600-10	O RING	1		~2099999	300
34	277-38601-03	PIN, spring	1		~2099999	300
35	277-36401-03	RELEASE LEVER	1		~2099999	300
37	277-36501-03	CLIP	1		~2099999	300
38	277-38701-03	RETURN SPRING	1		~2099999	300
60	279-33601-03	VALVE SPRING	2		~2099999	300
70	269-33701-03	RETAINER VALVE SPRING	2		~2099999	300
80	276-33501-33	INTAKE VALVE	1	EX13	~2099999	300
	277-33401-13	INTAKE VALVE	1	EX17,EX21	~2099999	300
90	276-33501-33	EXHAUST VALVE	1	EX13	~2099999	300
	277-33501-13	EXHAUST VALVE	1	EX17,EX21	~2099999	300
95	132-10KA0-31	COLLET VALVE	4		~2099999	300
150	276-35601-01	TIMING CHAIN	1	EX13	~2099999	300
	277-35601-01	TIMING CHAIN	1	EX17	~2099999	300
	278-35601-01	TIMING CHAIN	1	EX21	~2099999	300
160	277-36911-03	TENTIONER	1		~2099999	300
163	277-37101-03	SPRING, tentioner	1		~2099999	300
166	277-36902-03	PIN, tentioner	1		~2099999	300
170	277-36913-13	CHAIN GUIDE	1		~2099999	300
200	277-35001-23	PIN, rocker	1		~2099999	300
220	277-36101-00	ROCKER ARM AY, intake	1		~2099999	300
225	277-36102-00	ROCKER ARM AY, exhaust	1		~2099999	300
230	014-90500-10	ADJUST SCREW	1		~2099999	300
231	014-90500-10	ADJUST SCREW	1		~2099999	300
240	017-00500-20	NUT	1		~2099999	300
241	017-00500-20	NUT	1		~2099999	300
290	011-00600-20	FLANGE BOLT	1		~2099999	300
310	276-30101-11	MUFFLER	1	EX13	~2099999	300
	277-30101-11	MUFFLER	1	EX17	~2099999	300
	278-30101-11	MUFFLER	1	EX21	~2099999	300
310	276-30111-01	MUFFLER	1	EX13 w/ spark arrester	~2099999	300
	277-30111-01	MUFFLER	1	EX17,21 w/spark arrester	~2099999	300
315	277-37601-01	SPARK ARRESTER	1		~2099999	300
317	015-00400-60	TAPPING SCREW	1		~2099999	300
320	277-34201-01	MUFFLER COVER	1		~2099999	300
340	277-35201-03	GASKET, muffler	1		~2099999	300
350	980-20082-80	FLANGE NUT	2		~2099999	300
360	015-20600-90	TAPPING BOLT	2		~2099999	300
361	011-00600-10	FLANGE BOLT	1		~2099999	300
365	011-00801-50	FLANGE BOLT	1		~2099999	300
385	277-37203-01	SCREEN CP	1		~2099999	300
387	015-00400-60	TAPPING SCREW	2		~2099999	300
440	277-37001-03	DEFLECTOR	1		~2099999	300
445	015-00400-60	TAPPING SCREW	2		~2099999	300

SECTION 3 INTAKE and EXHAUST GROUP

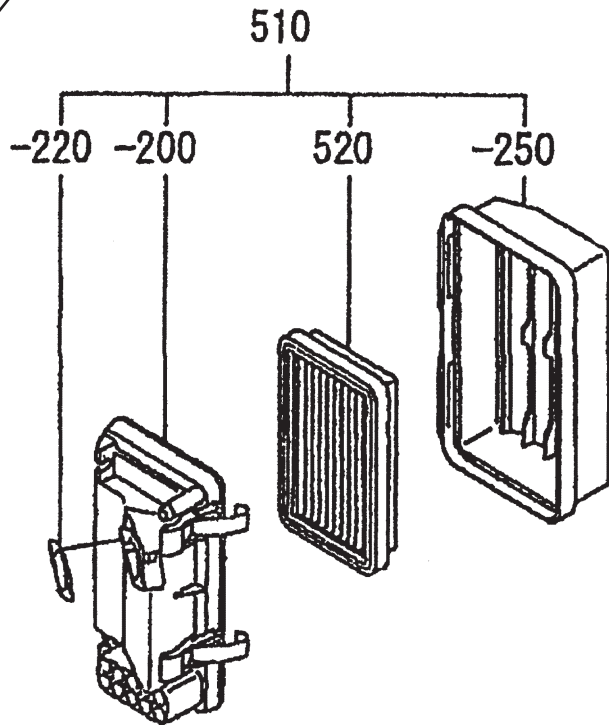
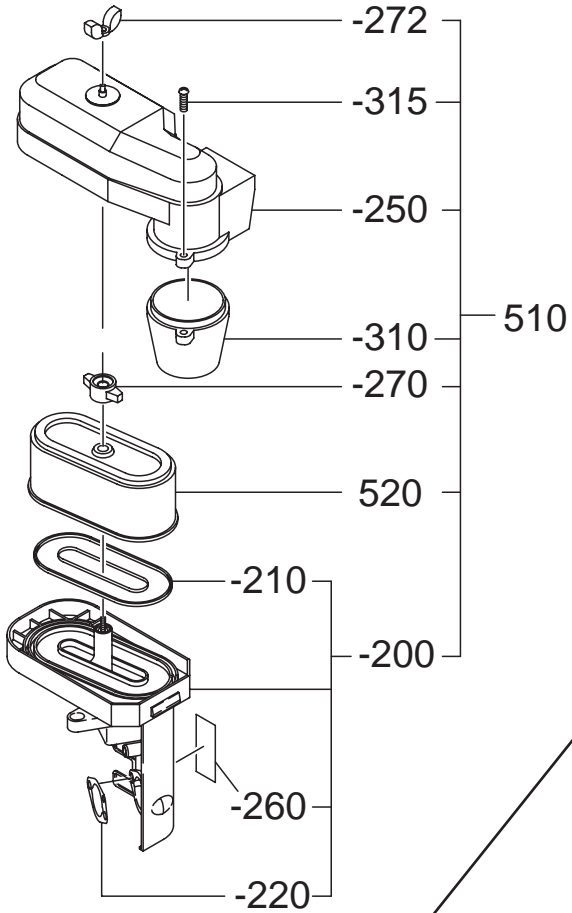
FIG. 310





SECTION 3 INTAKE and EXHAUST GROUP

FIG. 320



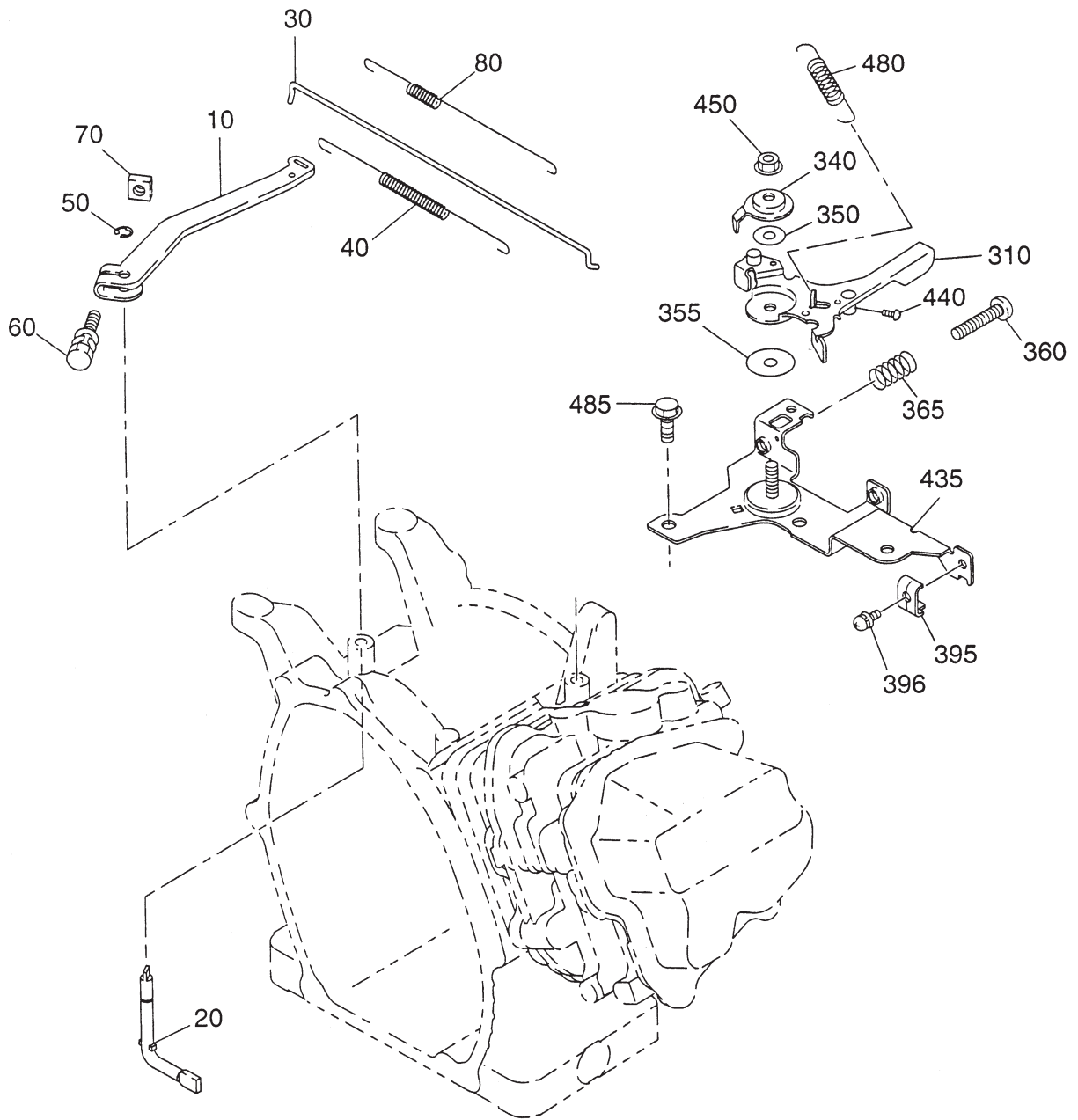


### SECTION 3     INTAKE and EXHAUST GROUP

REF.	PART NO.	DESCRIPTION	QTY.	REMARKS	FROM-TO	FIG.
510	277-32613-00	AIR CLEANER	1	Cyclone Pre-Cleaner		320A
	277-32620-10	AIR CLEANER	1	Low Profile		320B
-200	277-32630-08	BASE CP	1	Cyclone Pre-Cleaner		320A
-200	277-32613-08	BACK PLATE	1	Low Profile		320B
-210	277-32610-08	PACKING	1	Cyclone Pre-Cleaner		320A
-220	277-32604-08	GASKET	1			320
-250	277-32641-08	COVER	1	Cyclone Pre-Cleaner		320A
-250	277-32612-28	COVER	1	Low Profile		320B
-260	277-32609-08	LABEL	1	Cyclone Pre-Cleaner		320A
-270	277-32741-08	WING NUT	1	Cyclone Pre-Cleaner		320A
-272	277-32607-08	WING NUT	1	Cyclone Pre-Cleaner		320A
-310	277-32770-08	ROTARY BLADE CUP	1	Cyclone Pre-Cleaner		320A
-315	277-32750-08	SCREW	2	Cyclone Pre-Cleaner		320A
520	277-32611-07	ELEMENT	1	Cyclone Pre-Cleaner		320A
520	277-32614-07	ELEMENT	1			320
570	002-38060-00	NUT	2	Cyclone Pre-Cleaner		320A
580	011-00600-50	BOLT	1	Cyclone Pre-Cleaner		320A
850	085-10800-00	RUBBER PIPE	1	Cyclone Pre-Cleaner		320A

SECTION 4 GOVERNOR GROUP - New Style

FIG. 400

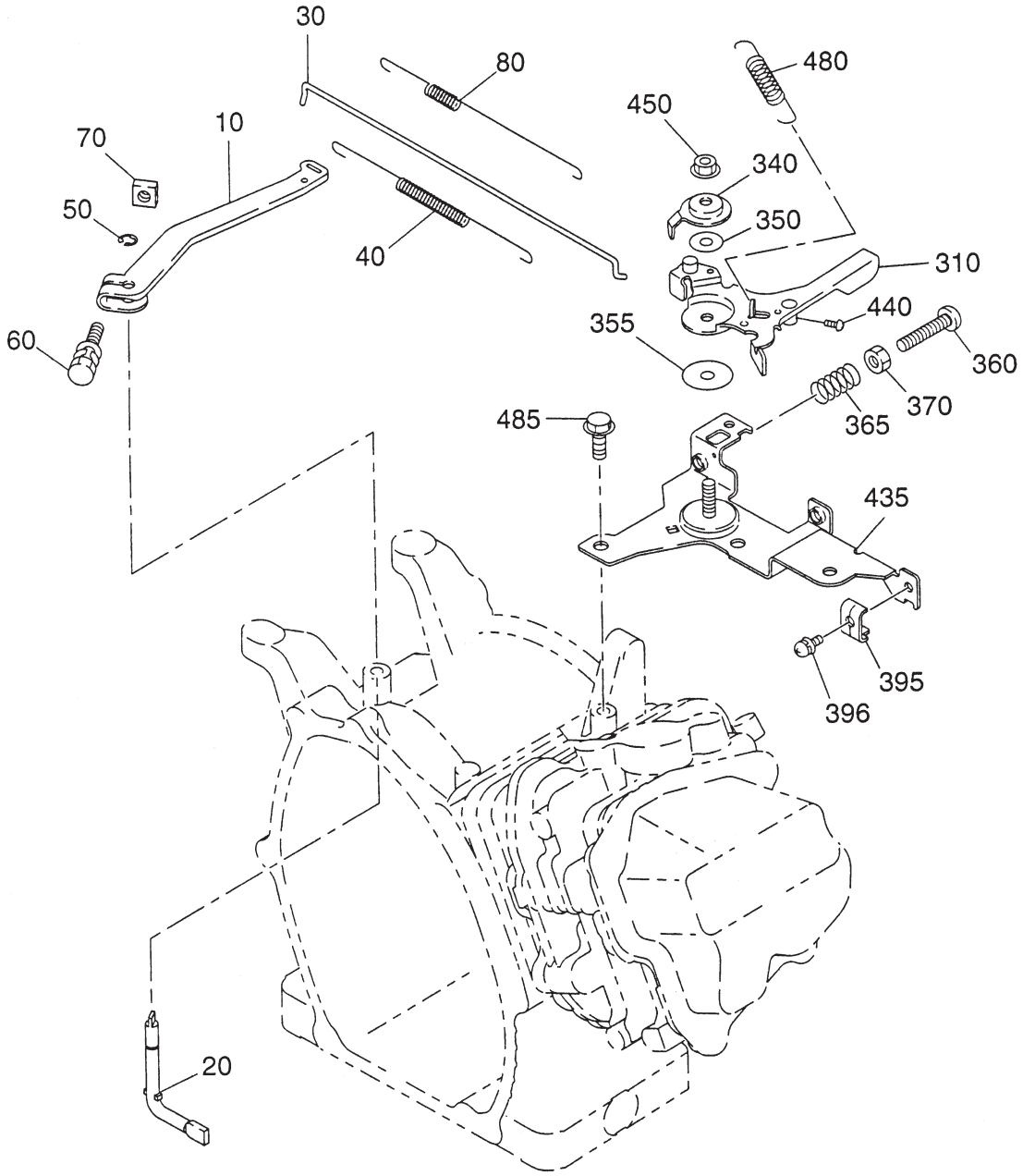


## SECTION 4 GOVERNOR GROUP - New Style

REF.	PART NO.	DESCRIPTION	QTY.	REMARKS	FROM-TO	FIG.
10	277-42301-13	GOVERNOR LEVER	1		2100000~	400
20	277-42201-33	GOVERNOR SHAFT	1		2100000~	400
30	279-42701-01	GOVERNOR ROD	1	EX13	2100000~	400
30	277-42701-01	GOVERNOR ROD	1	EX17, EX21	2100000~	400
40	277-42801-13	ROD SPRING	1		2100000~	400
50	003-13050-00	CLIP	1		2100000~	400
60	018-60600-20	BOLT and WASHER AY	1		2100000~	400
70	279-42502-23	NUT	1		2100000~	400
80	277-43303-13	GOVERNOR SPRING	1		2100000~	400
310	277-43501-03	SPEED CONTROL LEVER	1		2100000~	400
340	020-00601-70	STOP PLATE	1		2100000~	400
350	021-70600-70	WASHER	1		2100000~	400
355	004-31062-50	FRICTION WASHER	1		2100000~	400
360	237-45004-23	SCREW	1		2100000~	400
365	277-43902-03	SPRING	1		2100000~	400
395	013-10500-30	CLAMP	1		2100000~	400
396	277-46002-01	SCREW and WASHER AY	1		2100000~	400
435	004-31040-80	SPEED CONTROL BRACKET	1		2100000~	400
440	002-35060-00	SCREW	1		2100000~	400
450	267-45101-03	SELF LOCK NUT	1		2100000~	400
480	011-00600-20	RETURN SPRING	1		2100000~	400
485	277-43701-01	FLANGE BOLT	2		2100000~	400
486	277-46003-00	LINK ROD	1		2100000~	400
*		SPEED CONTROL AY	1		2100000~	400

SECTION 4 GOVERNOR GROUP - Old Style

FIG. 400

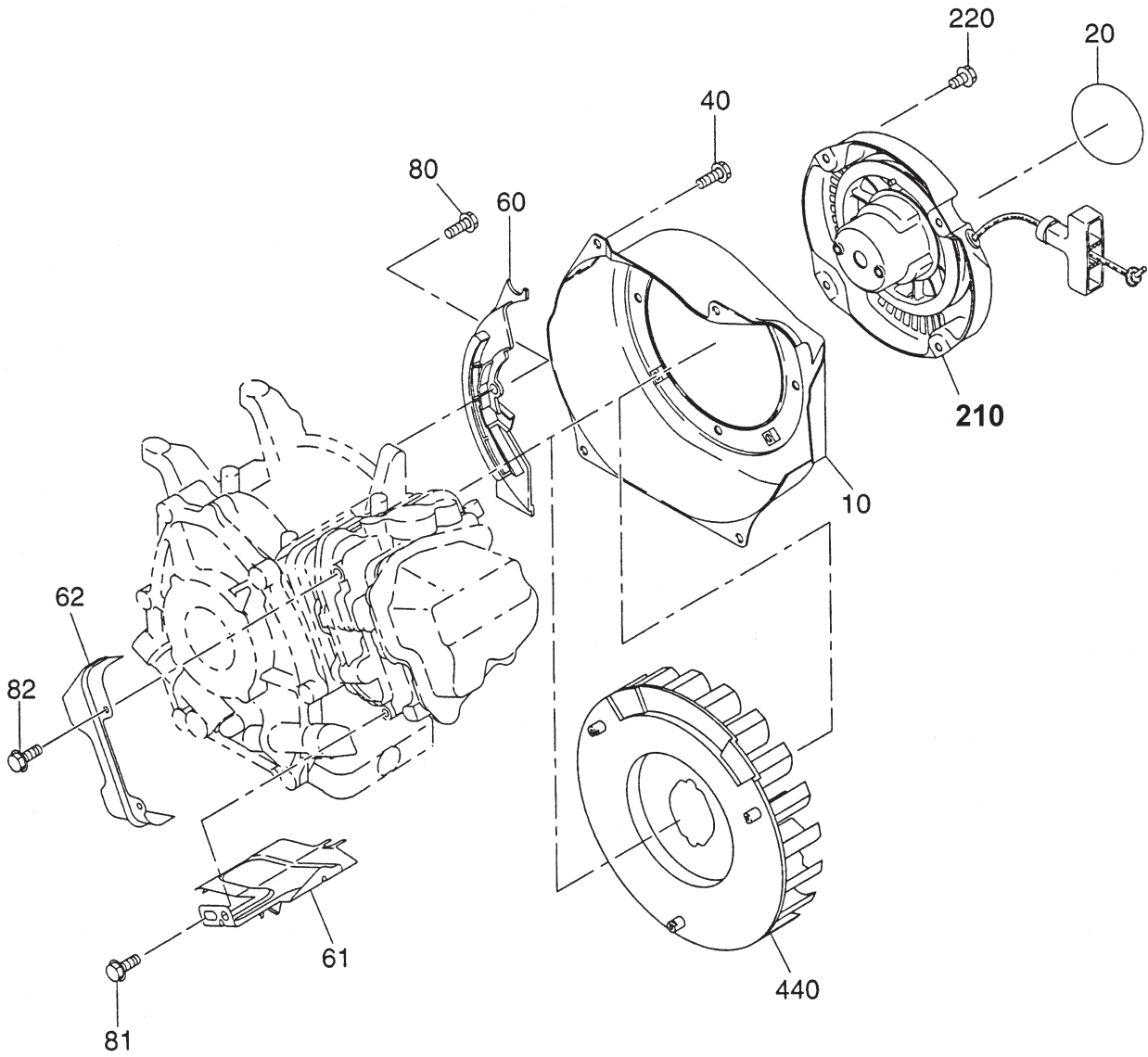


## SECTION 4 GOVERNOR GROUP - Old Style

REF.	PART NO.	DESCRIPTION	QTY.	REMARKS	FROM-TO	FIG.
10	277-42301-13	GOVERNOR LEVER	1		~2099999	400
20	277-42201-33	GOVERNOR SHAFT	1		~2099999	400
30	279-42701-01	GOVERNOR ROD	1	EX13	~2099999	400
30	277-42701-01	GOVERNOR ROD	1	EX17, EX21	~2099999	400
40	277-42801-13	ROD SPRING	1		~2099999	400
50	003-13050-00	CLIP	1		~2099999	400
60	001-14062-50	BOLT and WASHER AY	1		~2099999	400
70	018-60600-20	NUT	1		~2099999	400
80	279-42502-23	GOVERNOR SPRING	1		~2099999	400
310	277-43302-01	SPEED CONTROL LEVER	1		~2099999	400
340	277-43501-03	STOP PLATE	1		~2099999	400
350	020-00601-70	WASHER	1		~2099999	400
355	021-70600-70	FRICTION WASHER	1		~2099999	400
360	014-00601-80	SCREW	1		~2099999	400
365	237-45004-23	SPRING	1		~2099999	400
370	002-17060-00	NUT	1		~2099999	400
395	277-43901-03	CLAMP	1		~2099999	400
396	004-36051-60	SCREW and WASHER AY	1		~2099999	400
435	277-46001-01	SPEED CONTROL BRACKET	1		~2099999	400
440	004-31040-80	SCREW	1		~2099999	400
450	002-35060-00	SELF LOCK NUT	1		~2099999	400
480	277-45101-03	RETURN SPRING	1		~2099999	400
485	011-00600-20	FLANGE BOLT	2		~2099999	400
*	277-45001-20	SPEED CONTROL AY	1		~2099999	400

SECTION 5 COOLING and STARTING GROUP

FIG. 500

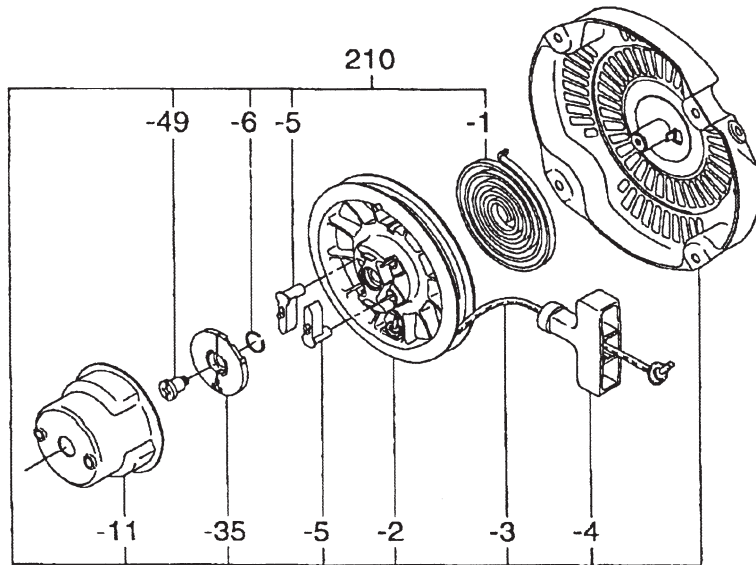


**SECTION 5      COOLING and STARTING GROUP**

<b>REF.</b>	<b>PART NO.</b>	<b>DESCRIPTION</b>	<b>QTY.</b>	<b>REMARKS</b>	<b>FROM-TO</b>	<b>FIG.</b>
10	276-51202-01	BLOWER HOUSING	1	EX13, Black		500
	276-51201-01	BLOWER HOUSING	1	EX13, Yellow		500
10	277-51202-01	BLOWER HOUSING	1	EX17 Recoil, Black		500
	277-51201-01	BLOWER HOUSING	1	EX17 Recoil, Yellow		500
	277-51252-01	BLOWER HOUSING	1	EX17 Electric, Black		500
	277-51251-01	BLOWER HOUSING	1	EX17 Electric, Yellow		500
10	278-51202-01	BLOWER HOUSING	1	EX21 Recoil, Black		500
	278-51201-01	BLOWER HOUSING	1	EX21 Recoil, Yellow		500
	278-51252-01	BLOWER HOUSING	1	EX21 Electric, Black		500
	278-51251-01	BLOWER HOUSING	1	EX21 Electric, Yellow		500
20	073-20051-40	LABEL, trademark	1			500
40	011-00600-30	FLANGE BOLT	4			500
60	277-52711-11	BAFFLE 1, case	1			500
61	277-52702-03	BAFFLE 2, head	1			500
62	278-52701-03	BAFFLE 3	1	EX21		500
80	001-04061-60	FLANGE BOLT	1			500
81	011-00600-20	FLANGE BOLT	1			500
82	015-20500-10	TAPPING SCREW	2			500
210	268-50201-30	RECOIL STARTER AY	1	EX13		500
	269-50201-30	RECOIL STARTER AY	1	EX17		500
	278-50201-20	RECOIL STARTER AY	1	EX21		500
220	011-00600-10	FLANGE BOLT	4			500
440	278-54101-03	COOLING BLOWER	1			500

SECTION 5 COOLING and STARTING GROUP

FIG. 510

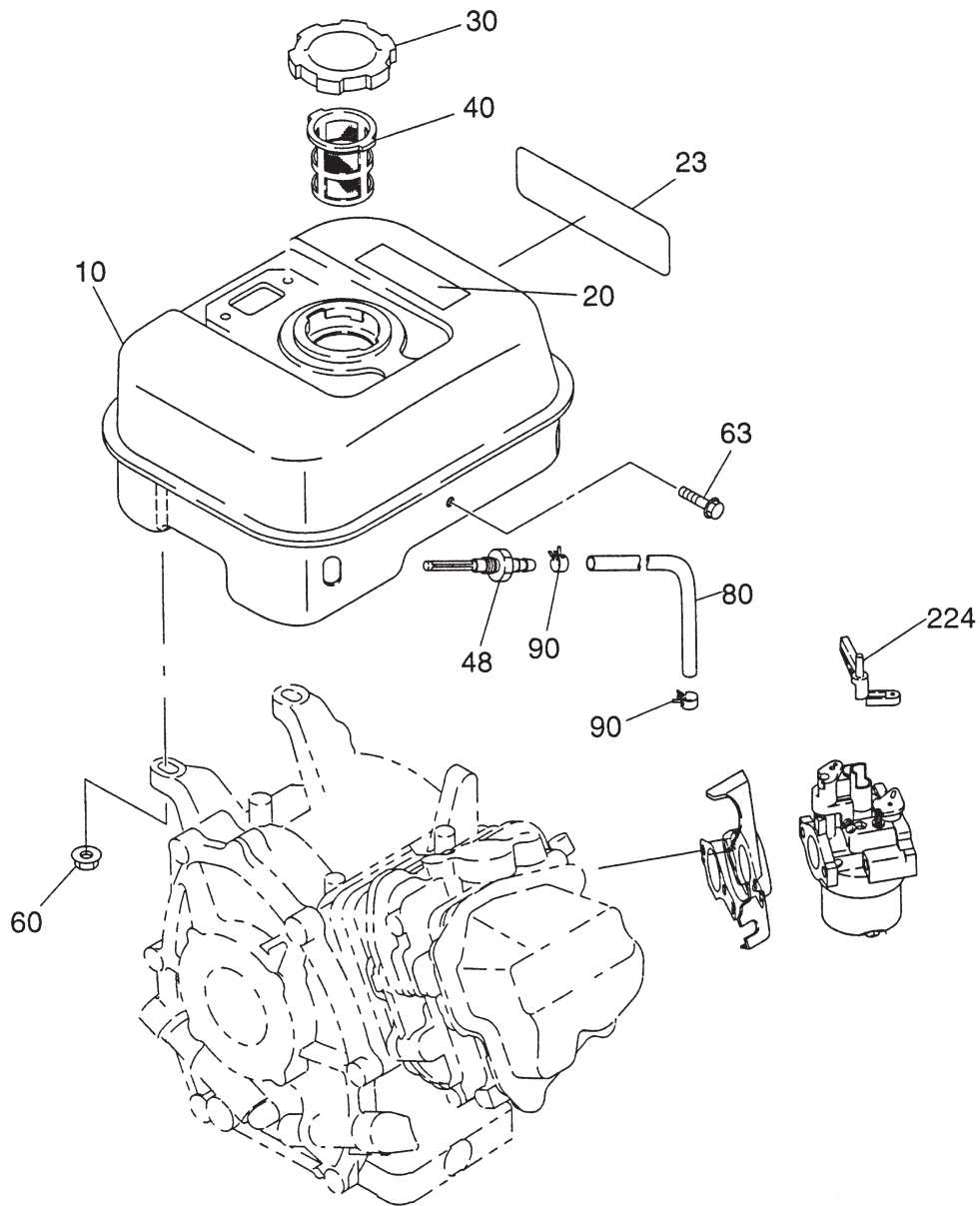






SECTION 6 FUEL, LUBRICATION GROUP

FIG. 600

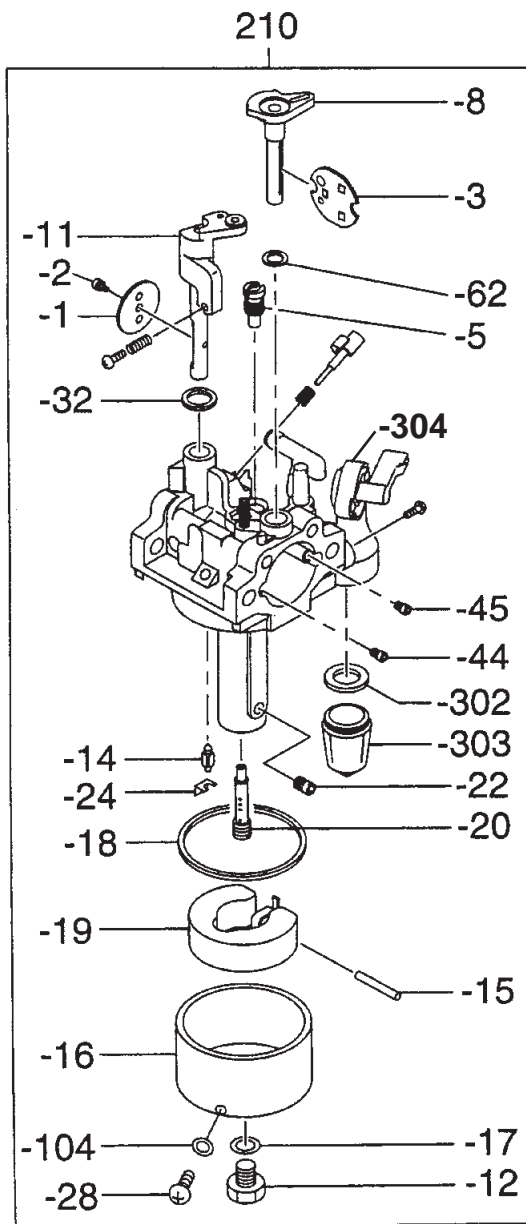


**SECTION 6 FUEL, LUBRICATION GROUP**

REF.	PART NO.	DESCRIPTION	QTY.	REMARKS	FROM-TO	FIG.
10	276-60102-01	FUEL TANK	1	EX13, Black		600
	276-60101-11	FUEL TANK	1	EX13, Yellow		600
10	277-60102-01	FUEL TANK	1	EX17,21, Black		600
	277-60101-11	FUEL TANK	1	EX17,21, Yellow		600
20	073-20051-81	LABEL, warning	1			600
23	276-95101-03	LABEL, model	1	EX13		600
	277-95101-03	LABEL, model	1	EX17		600
	278-95101-03	LABEL, model	1	EX21		600
30	043-04300-60	FUEL TANK CAP	1			600
40	064-13600-10	FUEL FILTER	1			600
48	050-51200-20	UNION	1			600
60	002-38060-00	FLANGE NUT	2			600
63	011-00601-30	FLANGE BOLT	1			600
80	085-10600-00	RUBBER PIPE	1			600
90	056-11000-30	HOSE CLAMP	2			600
224	277-43801-01	CHOKE LEVER	1			600
225		REMOTE CHOKE CONTROL	1			600
226		SPRING	1			600
227	277-32604-08	GASKET	1			600
395	277-43902-03	CLAMP	1			600
396	013-10500-30	SCREW and WASHER	1			600
440	004-31040-80	SCREW	1			600
540	277-32902-H3	INSULATOR	1	New Style		600
550	277-35902-H3	GASKET 1, insulator	1	New Style		600
560	277-35903-H3	GASKET 2, insulator	1	New Style		600
*540	277-32901-13	INSULATOR	1	Old Style		600
*550	277-35901-13	GASKET, insulator	1	Old Style, 1 piece		600

SECTION 6 FUEL, LUBRICATION GROUP

FIG. 610

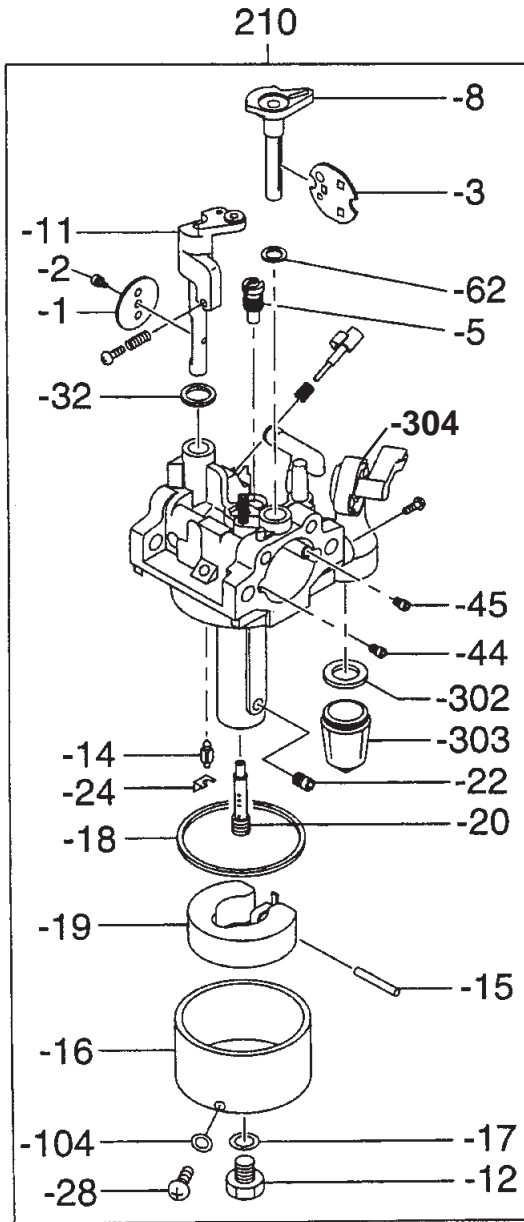


## SECTION 6 FUEL, LUBRICATION GROUP

REF.	PART NO.	DESCRIPTION	QTY.	REMARKS	FROM-TO	FIG.
210	276-62301-10	CARBURETOR	1	EX13, Foam		610
	276-62302-10	CARBURETOR	1	EX13, Dual Element		610
	276-62304-20	CARBURETOR	1	EX13, Low Profile		610
210	277-62301-10	CARBURETOR	1	EX17, Foam		610
	277-62302-10	CARBURETOR	1	EX17, Dual Element		610
	277-62304-20	CARBURETOR	1	EX17, Low Profile		610
	277-62303-00	CARBURETOR	1	EX17, Cyclone Pre Cleaner		610
210	278-62301-10	CARBURETOR	1	EX21, Foam		610
	278-62302-10	CARBURETOR	1	EX21, Dual Element		610
	278-62304-20	CARBURETOR	1	EX21, Low Profile		610
-1	106-62538-08	THROTTLE VALVE	1	EX13		610
	277-62535-08	THROTTLE VALVE	1	EX17, EX21		610
-2	209-62351-08	SCREW	1			610
-3	277-62525-08	CHOKE VALVE	1	Foam, Dual Element		610
	277-62527-08	CHOKE VALVE	1	Low Profile, Cyclone (EX17)		610
-5	246-62420-08	PILOT JET	1	EX13, EX17		610
	278-62420-08	PILOT JET	1	EX21		610
-8	277-62520-08	CHOKE LEVER	1			610
	277-62560-08	CHOKE LEVER	1	Low Profile		610
-11	276-62530-08	THROTTLE SHAFT	1			610
	276-62531-08	THROTTLE SHAFT	1			610
-12	277-62451-08	BOLT	1			610
-14	277-62500-08	NEEDLE	1			610
-15	277-62515-08	PIN	1			610
-16	277-62506-08	FLOAT BODY	1			610
-17	214-62450-08	PACKING	1			610
-18	214-62540-08	CHAMBER PACKING	1			610
-19	226-62506-08	FLOAT	1			610
-20	276-62440-08	MAIN NOZZLE	1	EX13		610
	277-62440-08	MAIN NOZZLE	1	EX17		610
	278-62440-08	MAIN NOZZLE	1	EX21		610
-22	277-62404-08	MAIN JET	1	EX13, Foam, Low Profile		610
	252-62405-08	MAIN JET	1	EX13, Dual Element		610
-22	277-62402-08	MAIN JET	1	EX17, Foam		610
	226-62412-08	MAIN JET	1	EX17, Dual Element		610
	277-62412-08	MAIN JET	1	EX17, Low Profile, Cyclone		610
-22	278-62403-08	MAIN JET	1	EX21, Foam, Low Profile		610
	277-62405-08	MAIN JET	1	EX21, Dual Element		610
-24	226-62701-08	CLIP	1			610
-28	277-62360-08	BOLT	1			610
-32	246-62390-08	THROTTLE SEAL	1	Dual Element, Low Profile		610
-44	207-62410-08	AIR JET	1	EX13		610
	248-62410-08	AIR JET	1	EX17		610
	106-62411-08	AIR JET	1	EX21		610
-45	106-62410-08	AIR JET, PILOT	1			610
-62	236-62680-08	CHOKE SEAL	1	Dual Element, Low Profile		610

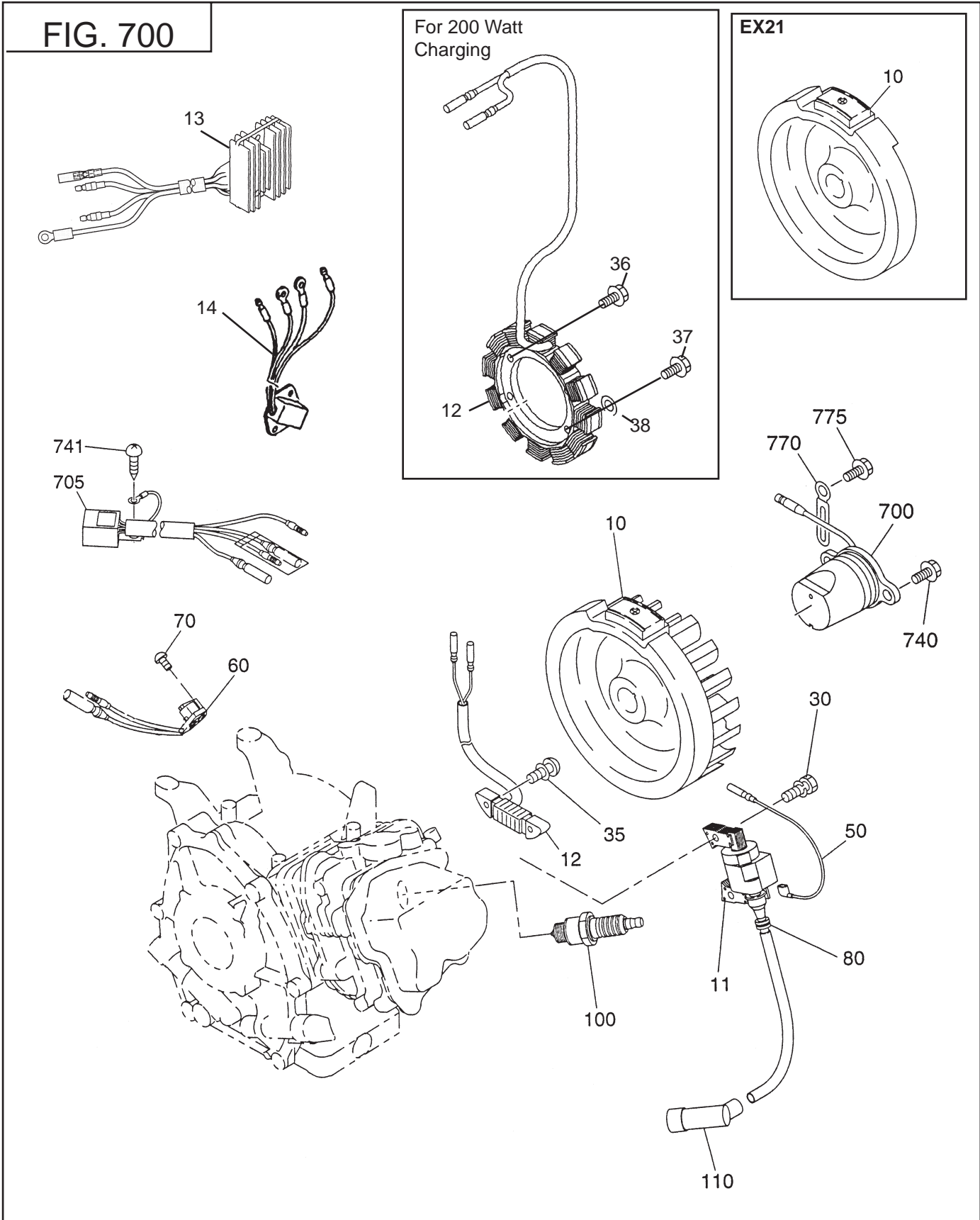
SECTION 6 FUEL, LUBRICATION GROUP

FIG. 610





**SECTION 7 ELECTRIC DEVICE GROUP**



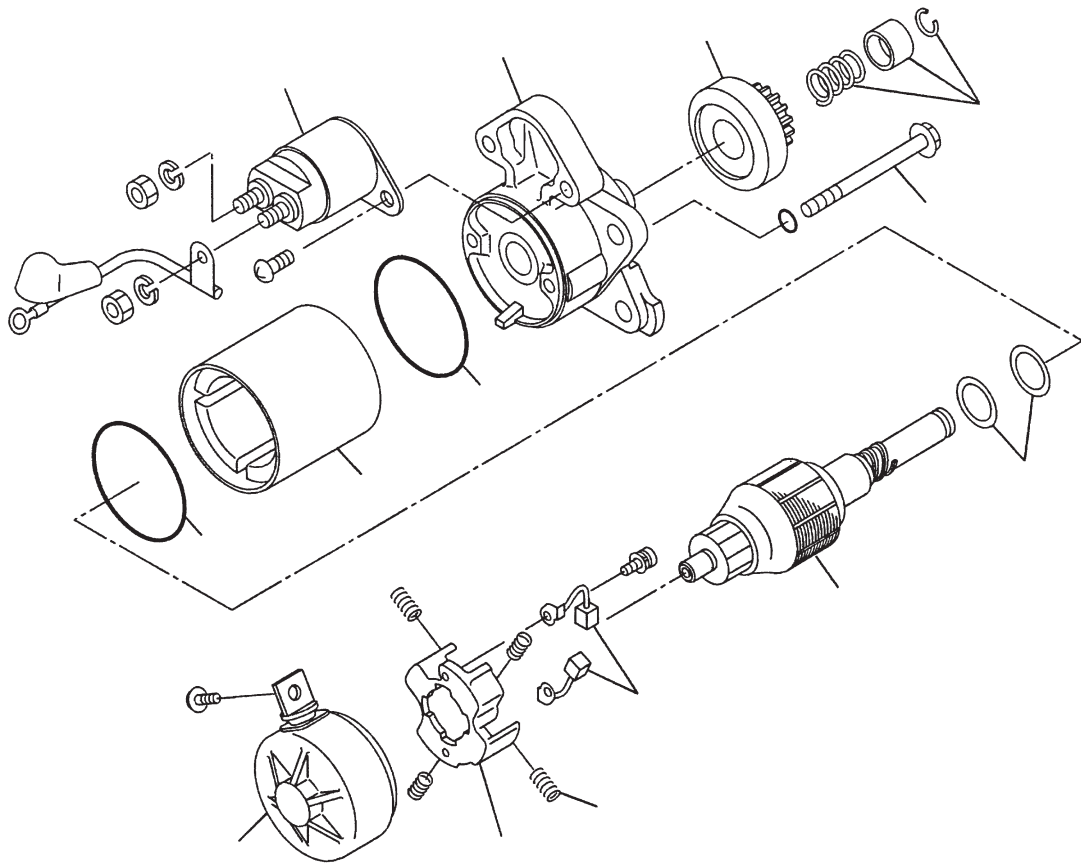


## SECTION 7 ELECTRIC DEVICE GROUP

REF.	PART NO.	DESCRIPTION	QTY.	REMARKS	FROM-TO	FIG.
10	276-79230-11	FLYWHEEL	1	EX13, STD		700
	276-79241-01	FLYWHEEL	1	EX13, 15W, 40W		700
10	277-79230-11	FLYWHEEL	1	EX17, STD		700
	277-79241-01	FLYWHEEL	1	EX17, 15W, 40 W Charging		700
	277-79242-01	FLYWHEEL	1	EX17, 200W Charging		700
	277-79251-01	FLYWHEEL	1	EX17, 15W, 40W w/o ring gear		700
	277-79252-01	FLYWHEEL	1	EX17, 200W w/o ring gear		700
10	278-79240-21	FLYWHEEL	1	EX21, STD		700
	278-79241-01	FLYWHEEL	1	EX21, 15W, 40 W Charging		700
	278-79243-01	FLYWHEEL	1	EX21, 200W Charging		700
	278-79251-01	FLYWHEEL	1	EX21, 15W, 40W w/o ring gear		700
	278-79252-01	FLYWHEEL	1	EX21, 200W w/o ring gear		700
11	277-79431-01	IGNITION COIL	1			700
12	277-79301-01	CHARGE COIL	1	STD 15W		700
	277-79302-01	CHARGE COIL	1	40W		700
	277-79303-01	CHARGE COIL	1	EX17,21, 200W		700
13	277-71901-01	REGULATOR	1	EX17,21, 200W		700
14	147-71401-01	RECTIFIER DIODE	1	15W		700
	246-71903-01	RECTIFIER DIODE	1	EX17,21, 40W		700
23	277-79501-03	SPACER	1	EX17,21, 15W, 40W Charging		700
30	011-14062-50	BOLT and WASHER AY	2			700
35	001-13063-50	BOLT	2	15W Charging L=35mm		700
	001-13064-00	BOLT	2	40W Charging L=40mm		700
36	004-35062-50	SCREW and WASHER AY	2	200W Charging L=25mm		700
37	277-79001-03	REAMER SCREW	2	200W Charging		700
38	003-20060-00	SPRING WASHER	2	200W Charging		700
50	277-73102-H1	WIRE 2 CP	1	EX13,17,21 w/ Oil Sensor		700
	279-73105-H1	WIRE 5 CP	1	Electric Start		700
60	066-00003-61	SWITCH AY	1	Old Style		700
70	015-00400-90	TAPPING SCREW	2			700
80	024-10701-10	GROMMET	1			700
100	065-01401-50	SPARK PLUG	1			700
110	065-50002-70	SPARK PLUG CAP	1			700
700	277-76301-11	OIL SENSOR CP	1			700
705	KU3-11043-11	CONTROL AY, oil sensor	1	New Style		700
	KU3-11043-01	CONTROL AY, oil sensor	1	Old Style		700
740	001-14061-60	BOLT and WASHER AY	2			700
741	015-00400-90	TAPPING SCREW	2			700
	015-20500-10	TAPPING SCREW	1			700
770	214-79006-01	CLAMP	1			700
775	011-00600-20	FLANGE BOLT	1			700

SECTION 7 ELECTRIC DEVICE GROUP

FIG. 710

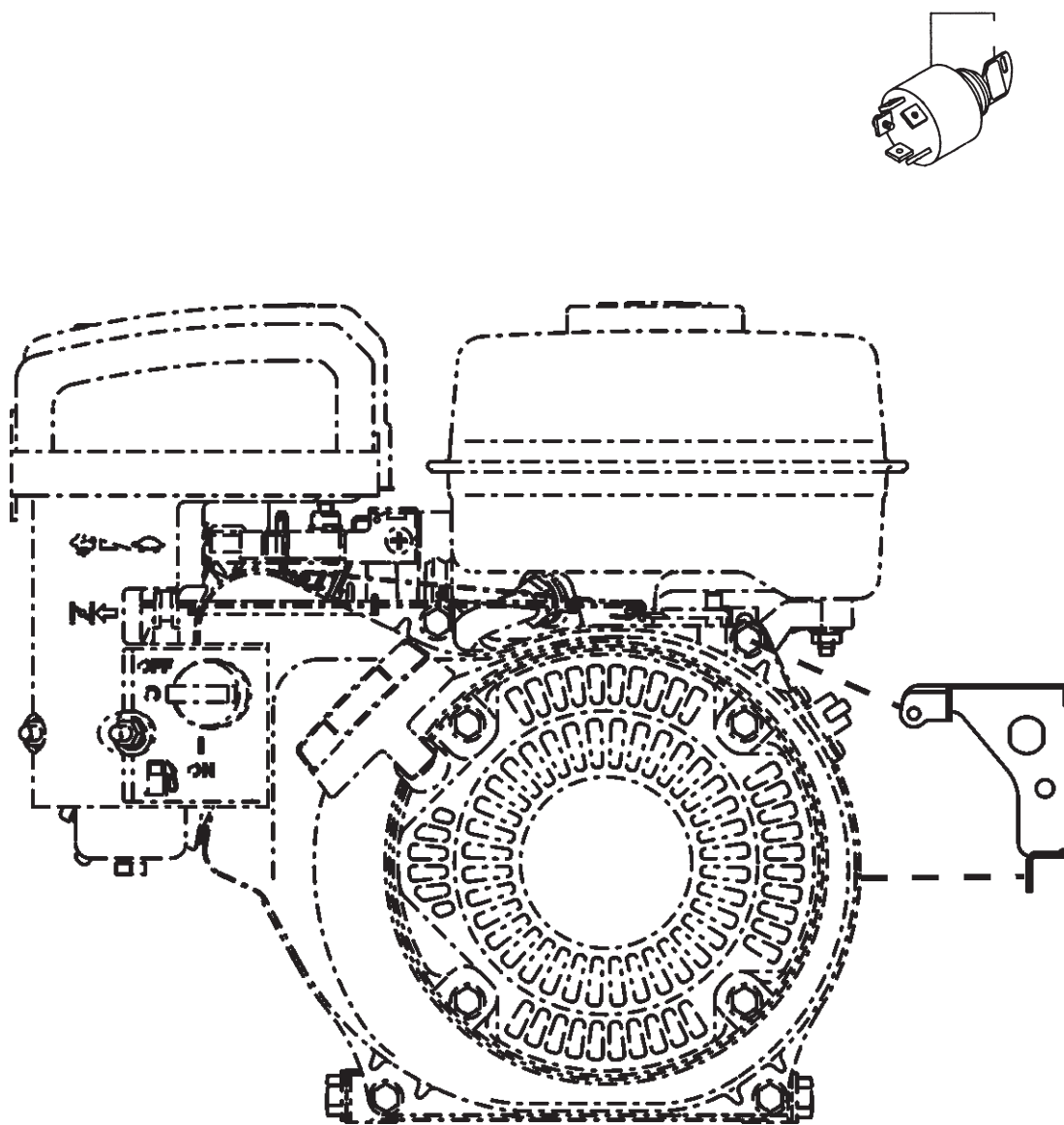


## SECTION 7 ELECTRIC DEVICE GROUP

REF.	PART NO.	DESCRIPTION	QTY.	REMARKS	FROM-TO	FIG.
120	277-70502-00	STARTER MOTOR	1			710
-1	277-70550-08	YOKE AY	1			710
-2	277-70551-08	ARMATURE AY	1	Incl. Collar		710
-3	277-70520-08	CLUTCH AY, pinion	1			710
-4	277-70501-08	HOUSING AY, front cover	1			710
-5	277-70560-08	SPRING	1			710
-6	227-70561-08	NUT, pinion stop	1			710
-7	227-70562-08	SNAP RING	1			710
-8	277-70502-08	FRAME AY, rear cover	1			710
-9	277-70570-08	THROUGH BOLT	2			710
-10	277-70571-08	O RING	2			710
-11	227-70572-08	O RING	2			710
-12	227-70573-08	WASHER PLATE	1			710
-14	277-70572-08	WIRE, sub ay	1			710
-15	227-70577-08	BOLT and WASHER	1			710
-16	277-70573-08	MAGNETIC SWITCH	1			710
-17	277-70574-08	SCREW and WASHER	2			710
-18	254-70576-08	NUT	2			710

SECTION 7 ELECTRIC DEVICE GROUP

FIG. 720

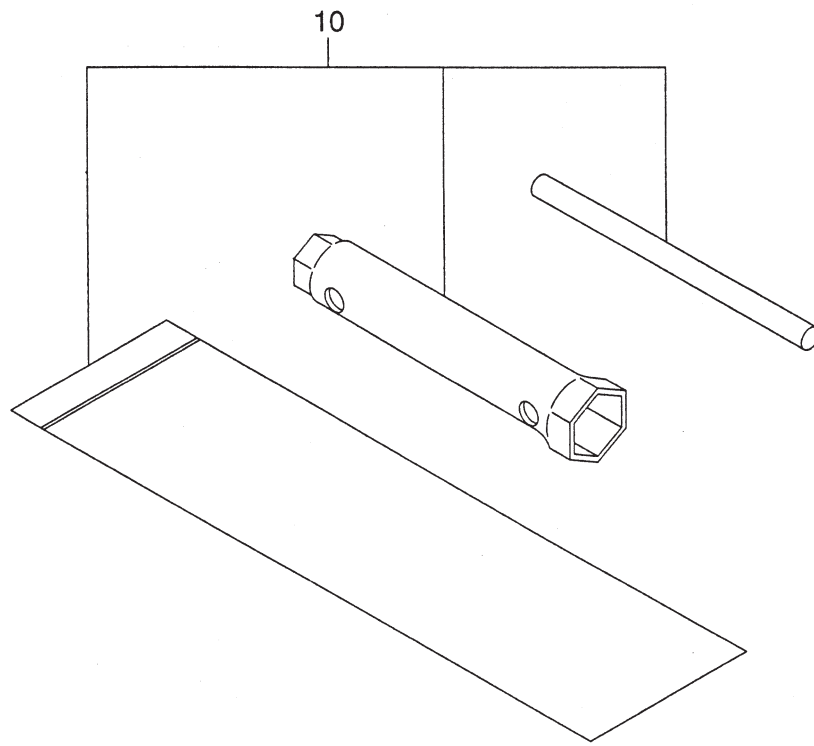


**SECTION 7      ELECTRIC DEVICE GROUP**

REF.	PART NO.	DESCRIPTION	QTY.	REMARKS	FROM-TO	FIG.
200	066-00003-30	KEY SWITCH	1			720
-1	066-00099-80	KEY SWITCH	1			720
230	277-75101-00	CONTROL BOX CP	1			720
-3	277-71401-01	DIODE RECTIFIER CP	1			720
-4	073-20044-60	LABEL, starter switch	1			720
-5	277-73103-01	WIRE 3 CP	1			720
-6	277-73104-01	WIRE 4 CP	1			720
-7	277-73105-01	WIRE 5 CP	1			720
-8	056-30000-60	WIRE BAND	1			720
-9	004-35061-00	SCREW and WASHER AY	1			720

SECTION 9    ACCESSORY GROUP

FIG. 900





PRINTED IN THE USA