

# **PARTS MANUAL**

**Models**

**EX27**

**ENGINE**

PUB-EP1679  
Rev. 07/05

# **Robin America, Inc.**

940 Lively Blvd. • Wood Dale, IL 60191 • Phone: 630-350-8200 • Fax: 630-350-8212  
e-mail: [sales@robinamerica.com](mailto:sales@robinamerica.com) • [www.robinamerica.com](http://www.robinamerica.com)

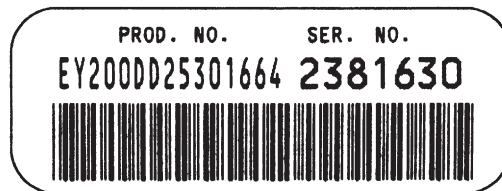
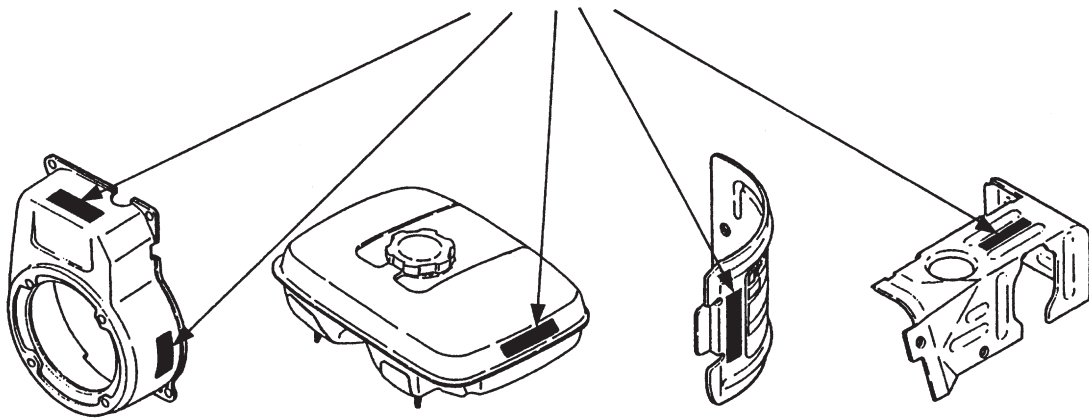
© Copyright 2005 Robin America, Inc.

## HOW TO USE THIS MANUAL

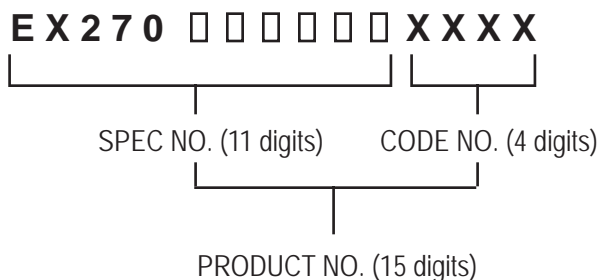
Robin engines are identified by MODEL, SPECIFICATION, and CODE NUMBER. For each model there may be many different versions called specifications. Each specification will be unique in some way. The difference may only be the paint color or it may have a different type of PTO or some other significant difference.

In order to identify the correct service part number, it is important to confirm the specification and code numbers for your engine. The specification and code number together are known as the PRODUCT NUMBER.

All Robin 4 cycle engines have a Product Number label similar to the label illustrated below.



The Product Number Label has a 15 digit alphanumeric string that consists of the SPECIFICATION (SPEC) number (11 digits) and the CODE number (4 digits). Please note the illustration below:



# MANUAL LAYOUT

**1— SECTION 6 FUEL GROUP**

**2— FIG. 600**

**1— SECTION 6 FUEL GROUP**

REF.	PART NO.	DESCRIPTION	QTY.	REMARKS	FROM-TO	FIG.
10	267-60103-01	FUEL TANK CP	1	YD, YS TYPE, BLACK		600
	267-60101-01	FUEL TANK CP	1	YELLOW		600
27	073-20039-00	LABEL, WARNING	1	YD, YS TYPE		600
30	043-04300-15	FUEL TANK CAP CP	1			600
31	267-95201-03	LABEL, EMISSION	1	YD, YS TYPE		600
40	064-13600-10	FUEL FILTER	1			600
4	50	064-20021-01	FUEL STRAINER AY	1		600
	-1	064-20002-20	FILTER	1		600
	-2	064-20002-30	GASKET	1		600
	-3	064-20019-10	CUP	1		600

1. SECTION NAME Parts are broadly classified according to their functions. Refer to the Group Index (table of contents) for respective section name.
2. FIG. No. The FIG. number indexes the reference and part numbers to the illustration. Figure numbers that vary only in the tens place (i.e.: 700 and 710) are in a group of the same section (i.e.:Electrical Device Group).
3. REF. No. The Reference number identifies the part illustration with the corresponding part number in the part list.
4. SUBASSEMBLY SUBASSEMBLY parts of part assembly are listed below the assembly part. The subassembly part reference number is indicated by the number led by "-" such as "-1", "-2".
5. PART NUMBER It is the number assigned for sales unit. Use the PART No. when making an order.
6. DESCRIPTION It is designation of the part.
7. QTY. Quantity of each part used for each product.
8. REMARKS This gives a distinctive feature and/or a supplementary comment for the type, the specification, and the part concerned. It also shows part number(s) interchangeable for the part.
9. FROM-TO This section shows the CODE No. to indicate the history of progress in which improved parts have been introduced in the product. The FROM-TO CODE No. helps to identify PART No. being employed in the product concerned. See the examples below:
  - The part is used in the product irrespective of CODE No.
  - 2101- The part is used in the products with CODE No. of 2101 and after this number.
  - 2100 The part is used in the products with CODE No. of 2100 and before this number.

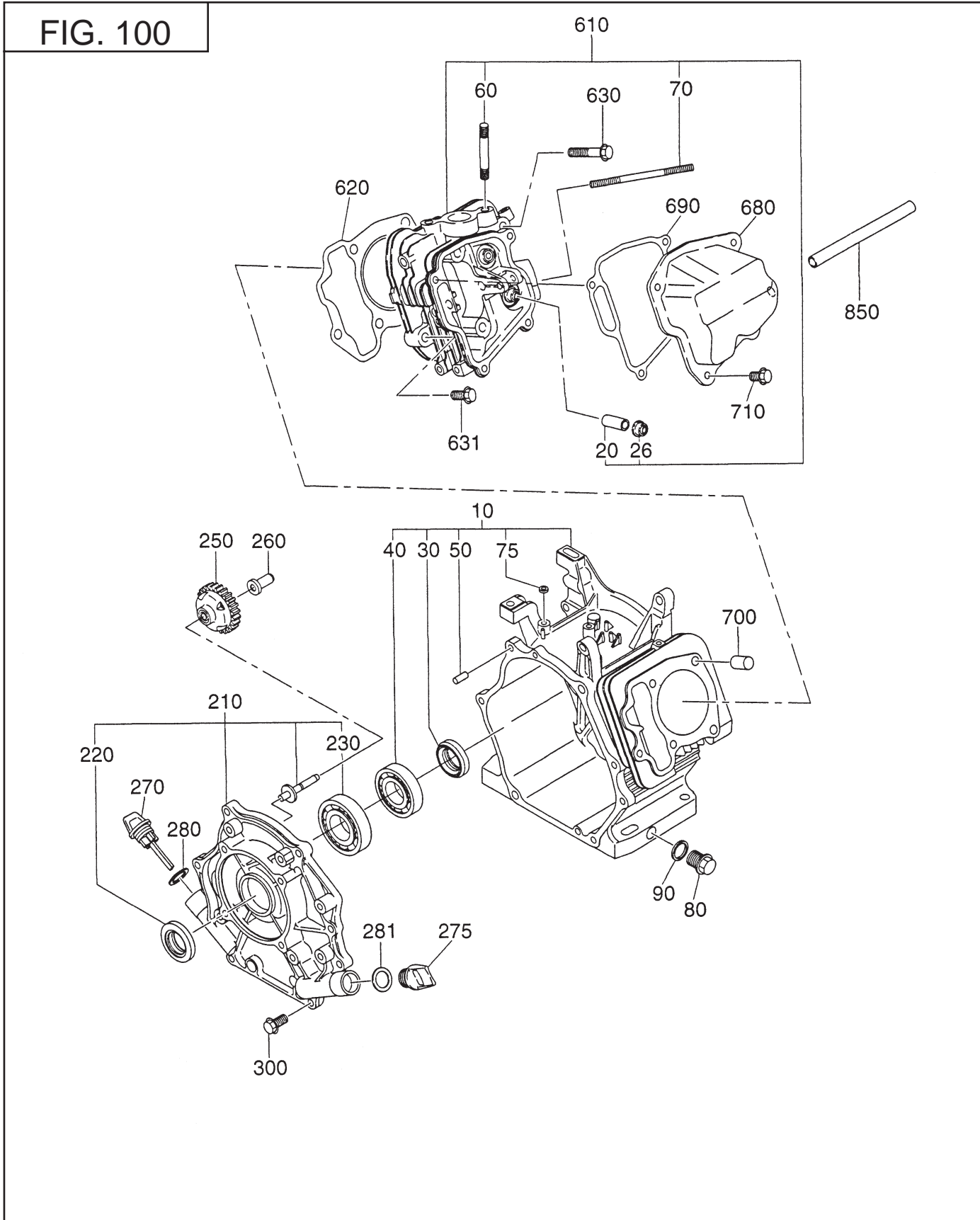
# GROUP INDEX

Group Name	Page
CRANKCASE GROUP .....	6
CRANKSHAFT GROUP .....	8
INTAKE and EXHAUST GROUP .....	10
GOVERNOR GROUP .....	14
COOLING and STARTING GROUP .....	16
FUEL, LUBRICANT GROUP .....	18
CARBURETOR GROUP .....	20
ELECTRIC DEVICE GROUP .....	22
ACCESSORY GROUP .....	24

INDEX OF DESCRIPTION SYMBOLS			
SYMBOL	DESCRIPTION	SYMBOL	DESCRIPTION
AY .....	ASSEMBLY	P= .....	PITCH (in mm)
CP .....	COMPLETE	P.T.O. (PTO) .....	POWER TAKE OFF
EX .....	EXPORT (from Japan)	REF .....	REFERENCE
FIG .....	FIGURE	R.H. (RH) .....	RIGHT HAND SIDE
FR .....	FRONT	RR .....	REAR
" .....	INCH	STD. ....	STANDARD
INCL. ....	INCLUDE	SW .....	SWITCH
-L .....	LITER	T= .....	THICKNESS (in mm)
L= .....	LENGTH (in. mm)	UN .....	UNIT
L.H. (LH) .....	LEFT-HAND SIDE	U.S. ....	UNDER SIZE
MECH .....	MECHANICAL	~V .....	VOLTAGE
NO (NON) .....	NONE	~W .....	WATT
OPT .....	OPTIONAL	W/ .....	WITH
O.S. ....	OVER SIZE	W/O .....	WITHOUT

# SECTION 1 CRANKCASE GROUP

FIG. 100





SECTION 2 CRANKSHAFT GROUP

FIG. 200

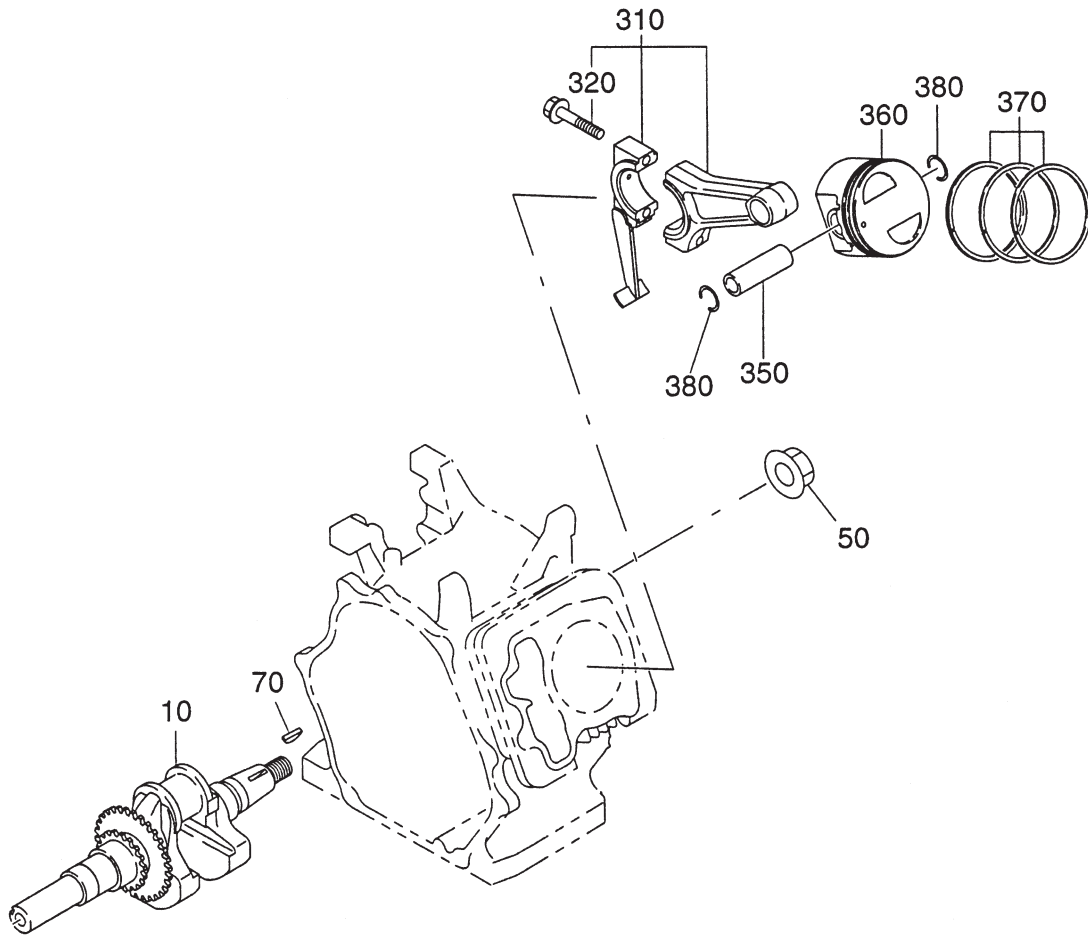






FIG. 300

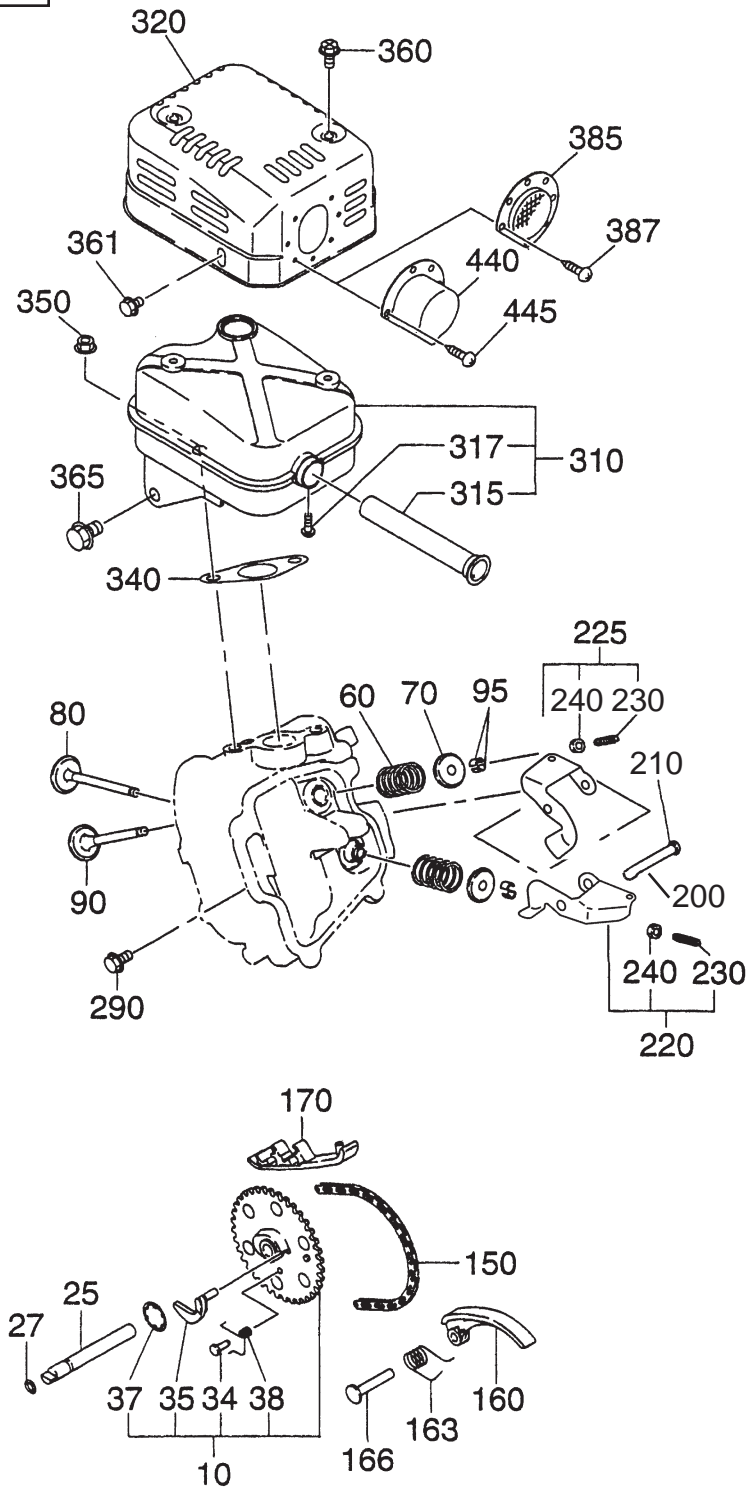
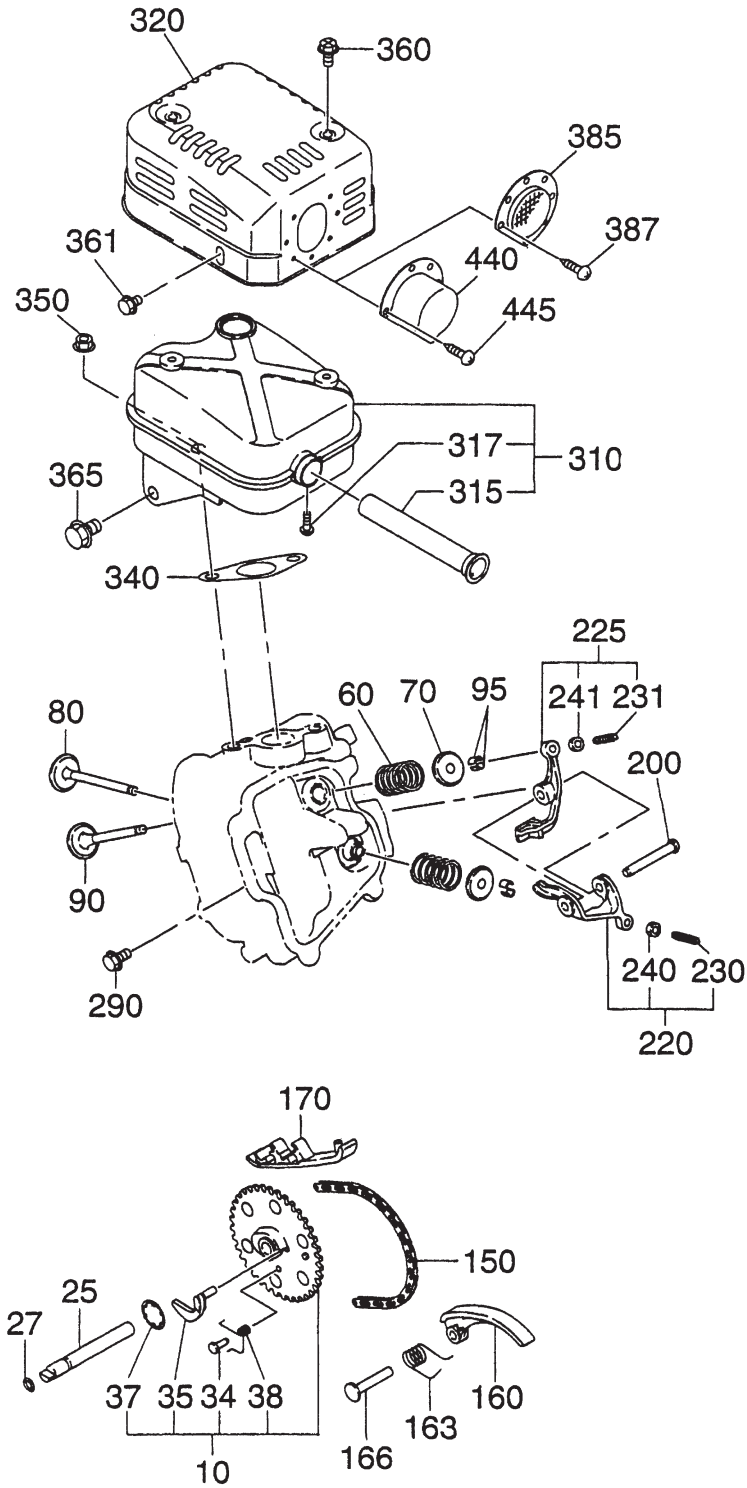




FIG. 300

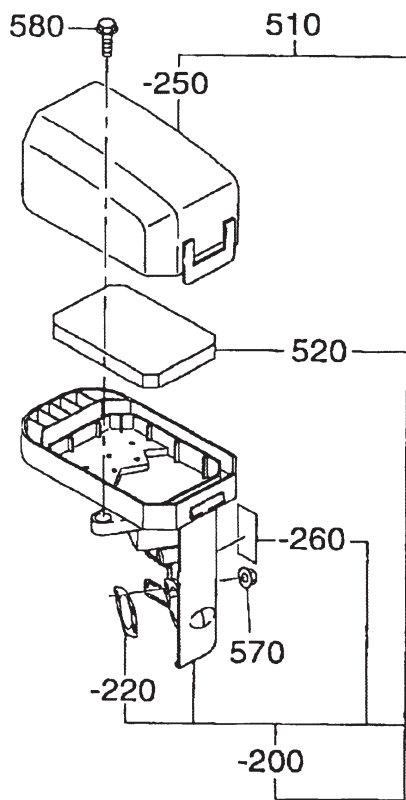




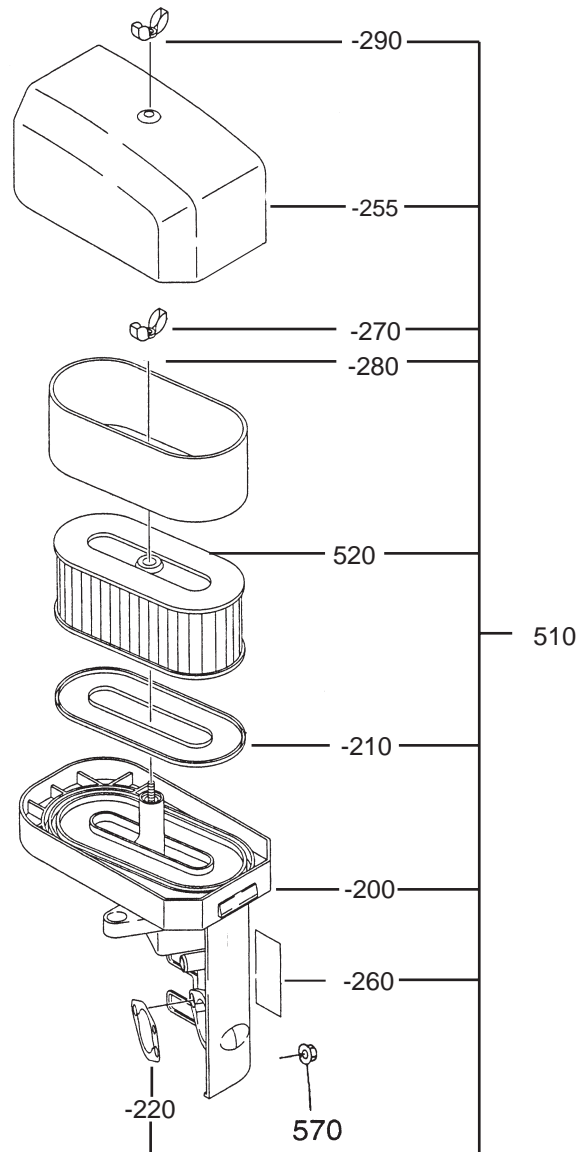
SECTION 3 INTAKE and EXHAUST GROUP

FIG. 310

A



B



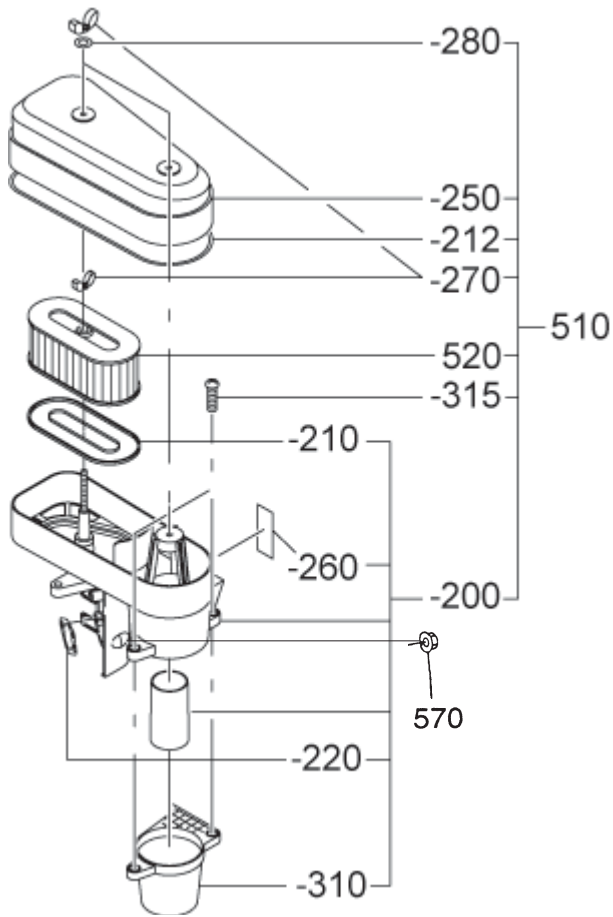


SECTION 3 INTAKE and EXHAUST GROUP

FIG. 320

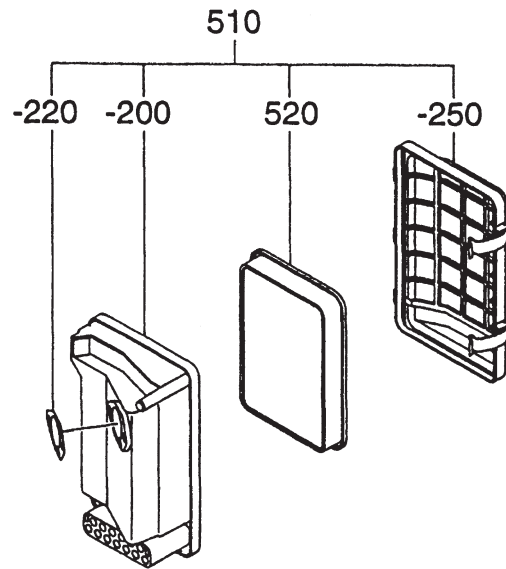
Cyclone Pre-Cleaner

(C)



Low Profile

(D)

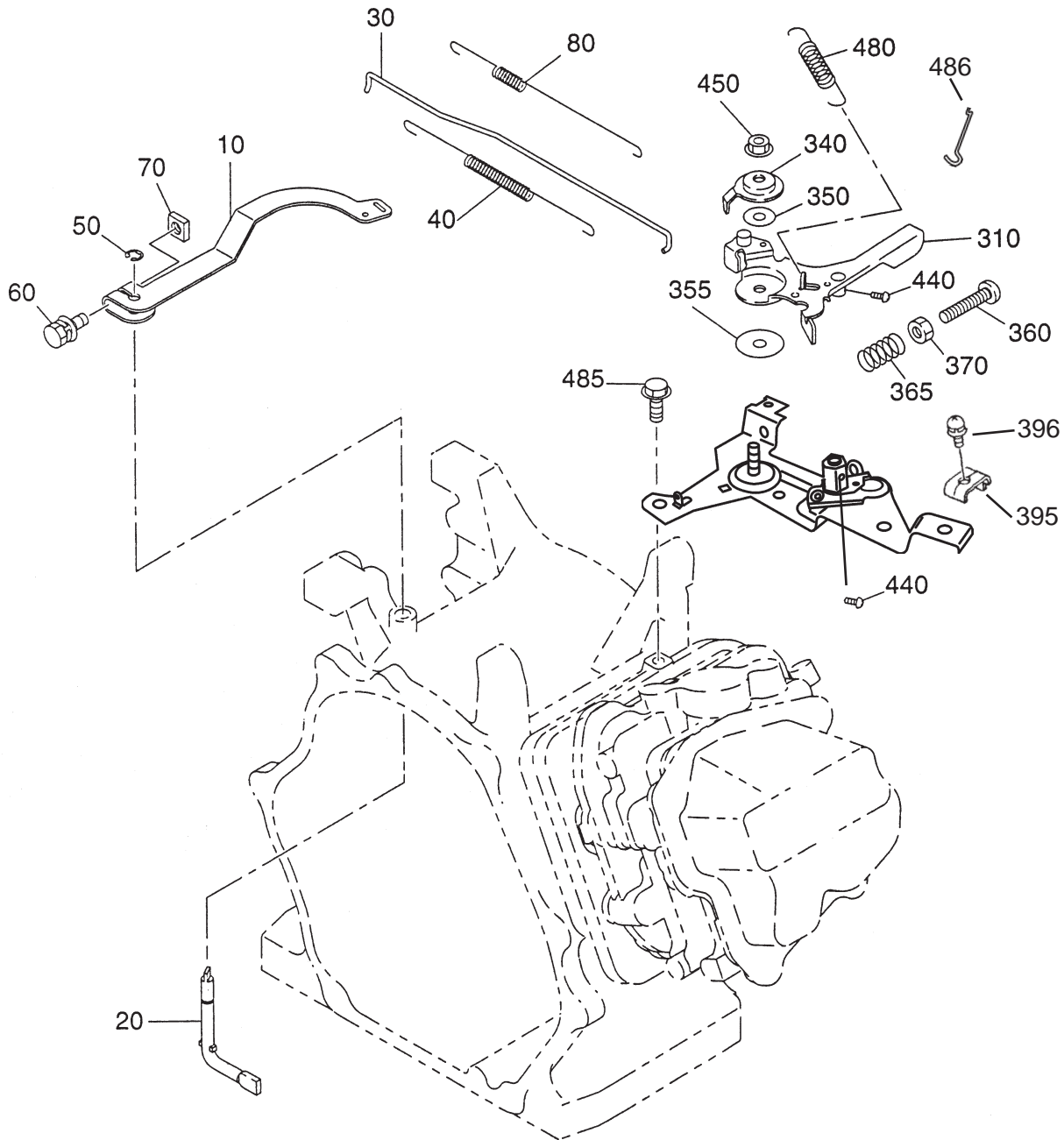






SECTION 4 GOVERNOR GROUP - NEW STYLE

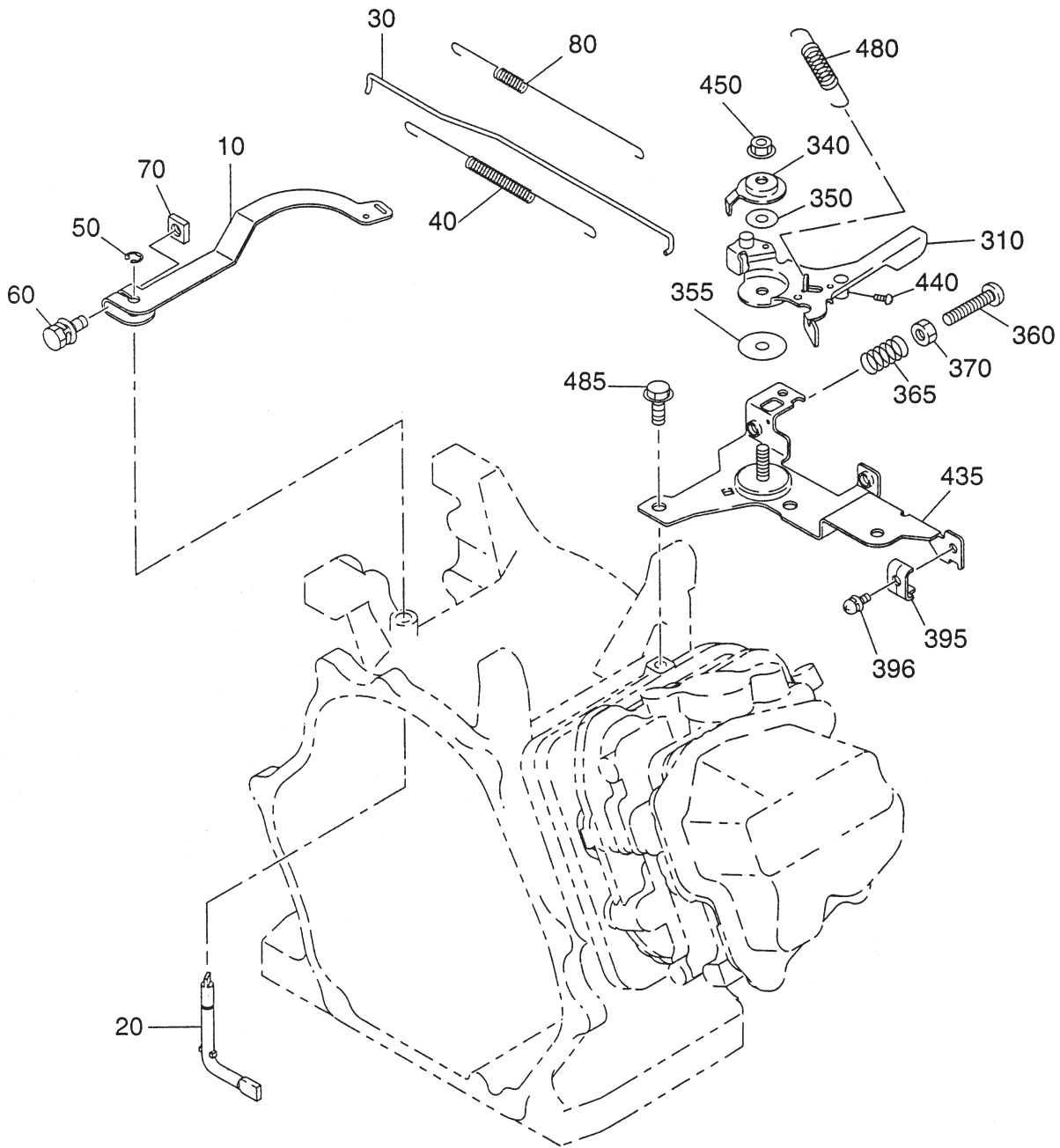
FIG. 400





SECTION 4 GOVERNOR GROUP - OLD STYLE

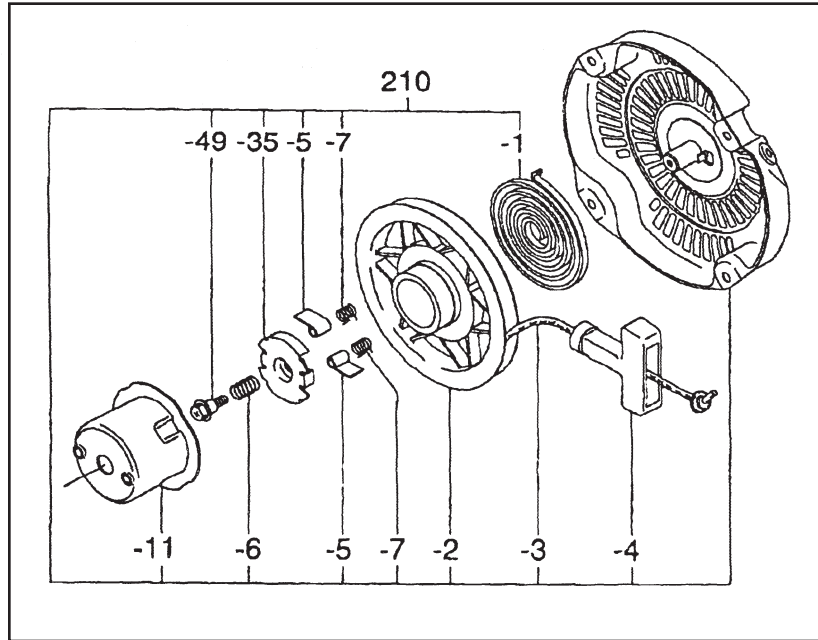
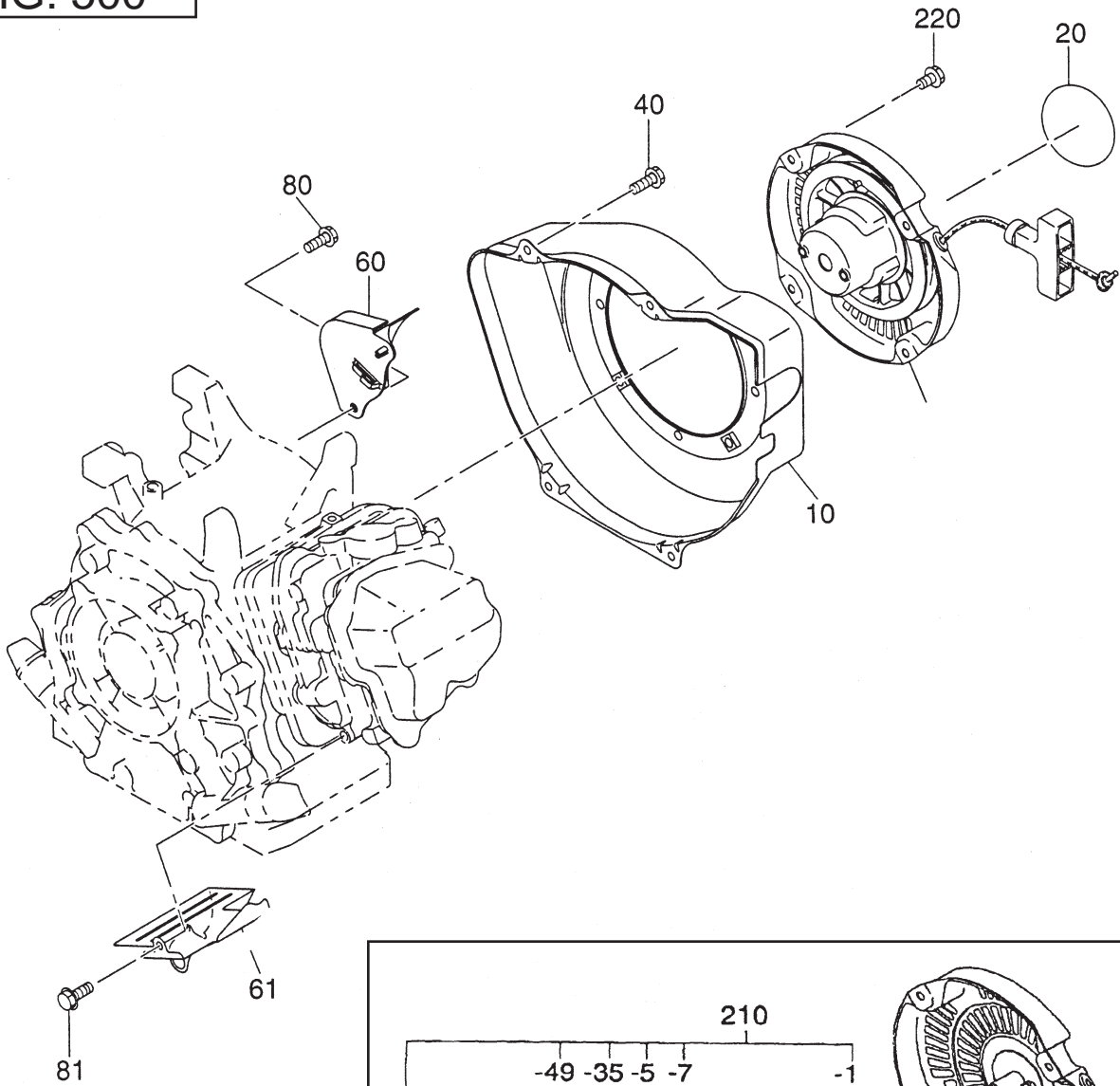
FIG. 400





SECTION 5 COOLING and STARTING GROUP

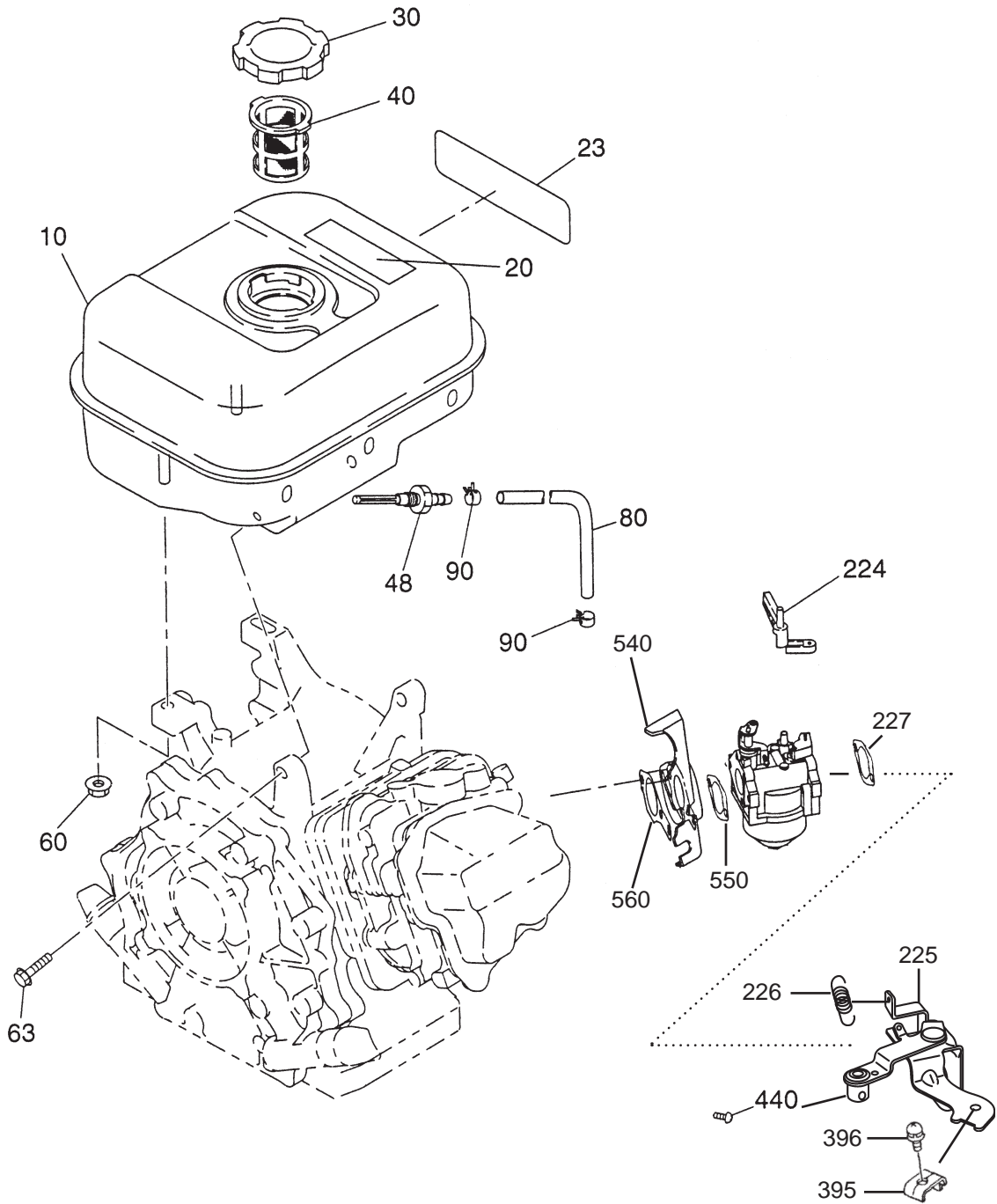
FIG. 500





SECTION 6 FUEL, LUBRICATION GROUP

FIG. 600

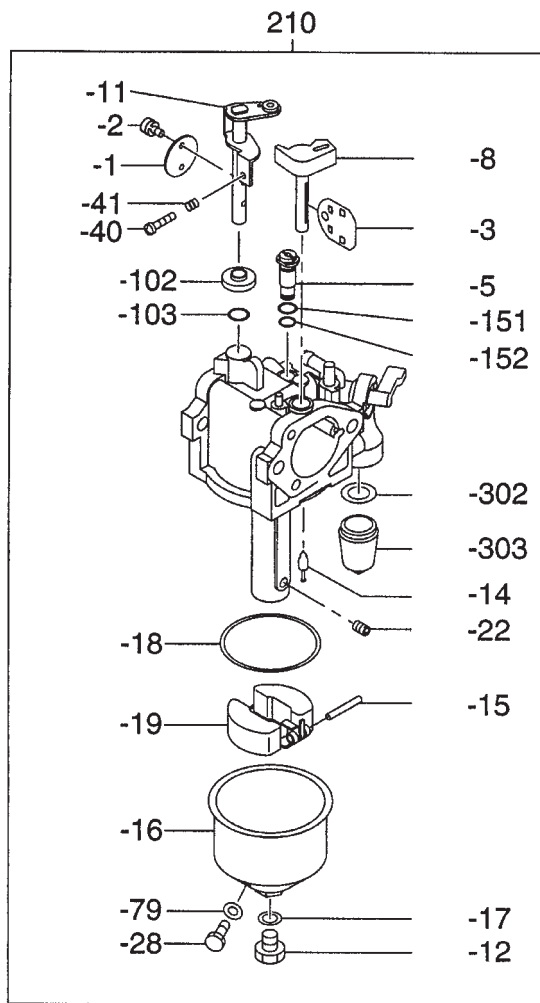






SECTION 6 FUEL, LUBRICATION GROUP

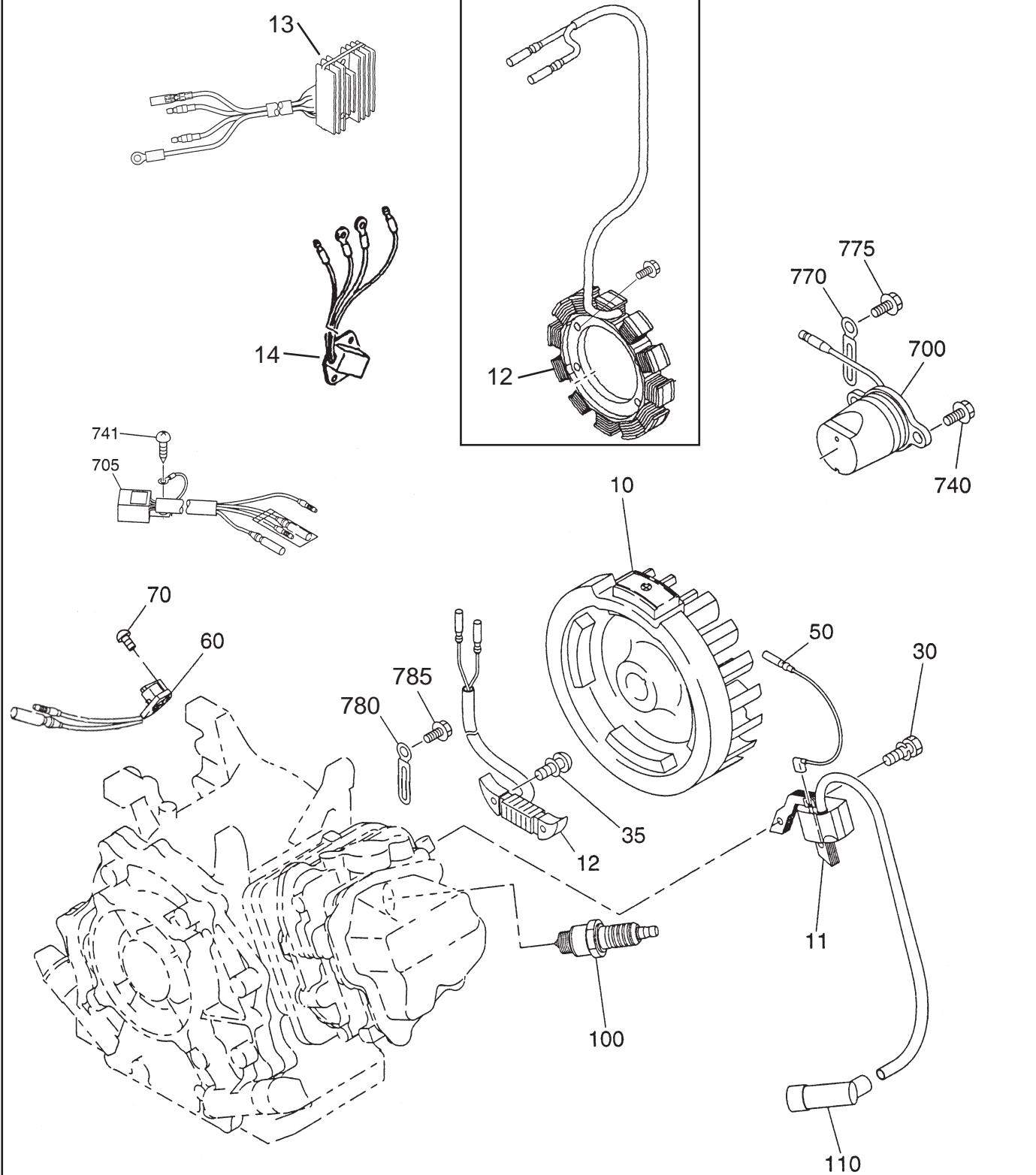
FIG. 610





SECTION 7 ELECTRIC DEVICE GROUP

FIG. 700





SECTION 7 ELECTRIC DEVICE GROUP - ELECTRIC STARTER

FIG. 710

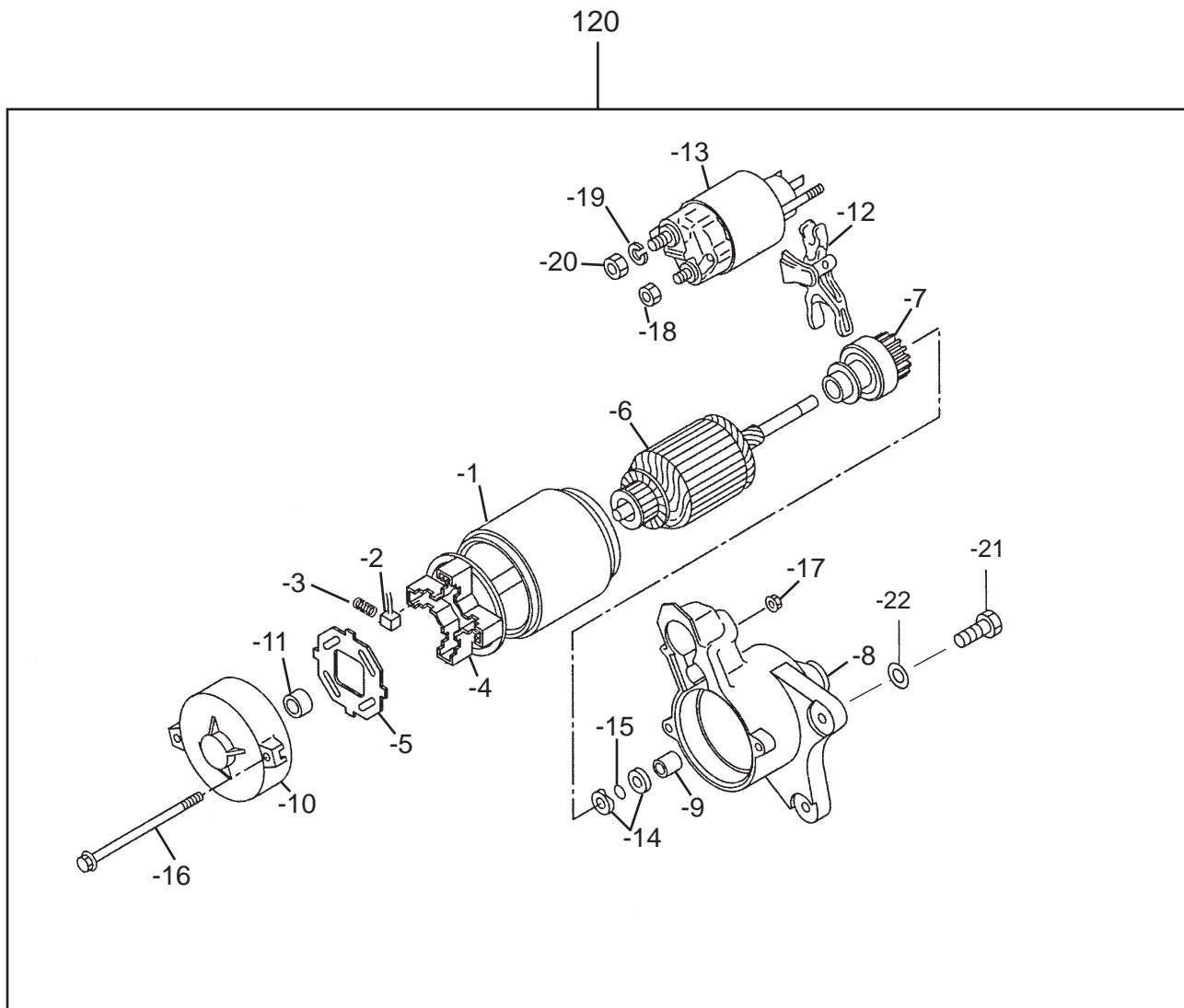
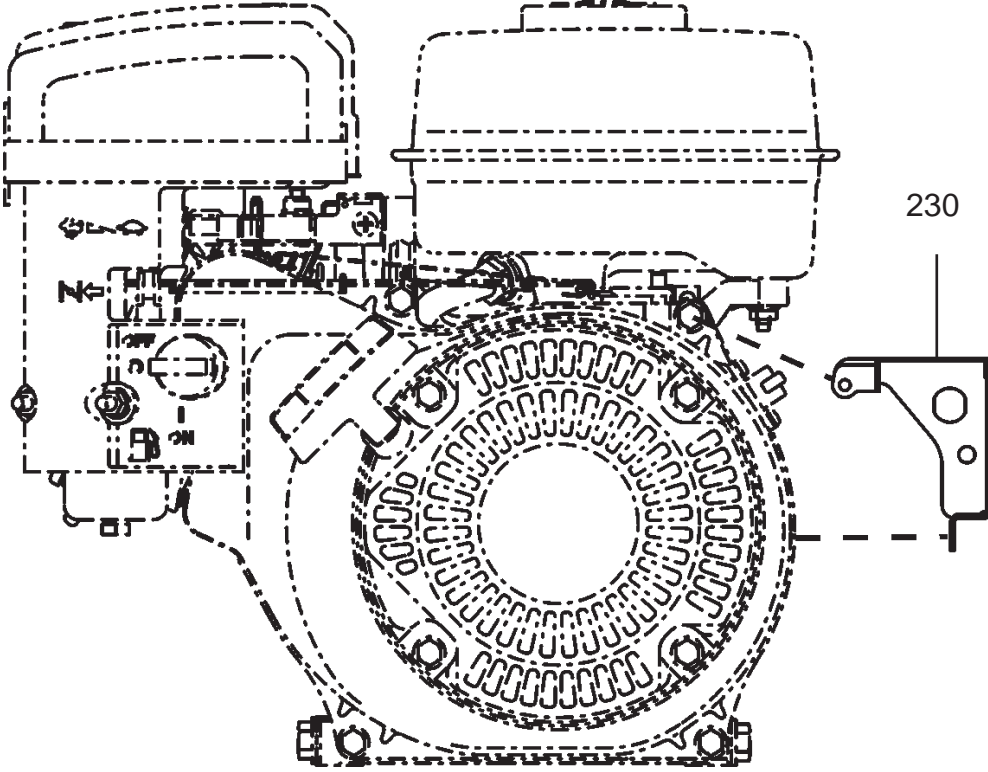
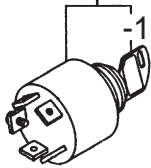




FIG. 720



Key switch  
200



230

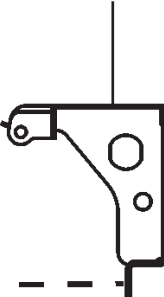
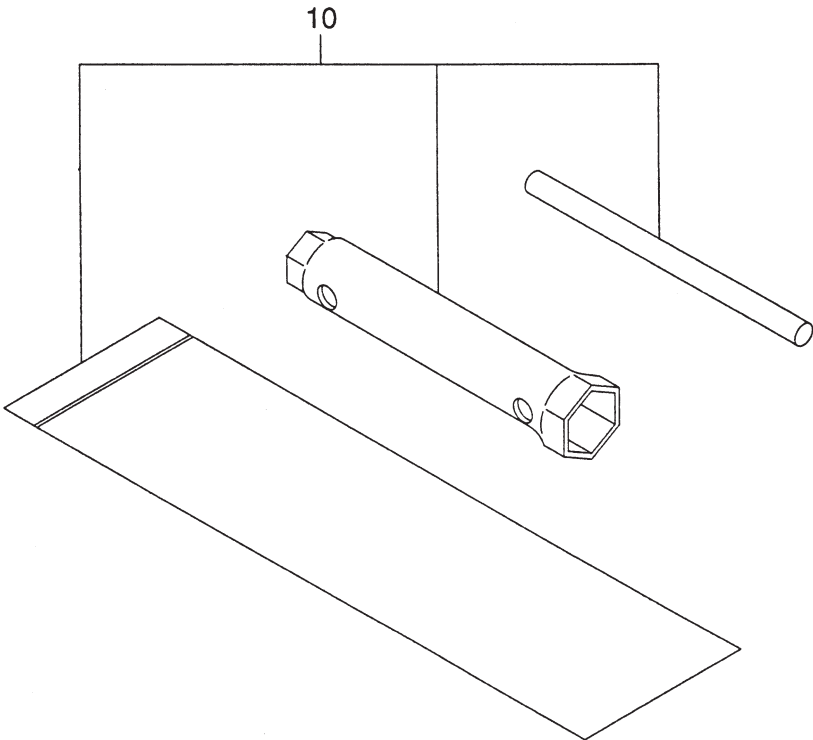






FIG. 900





PRINTED IN THE USA