

PARTS MANUAL

Model

**EY15-3
ENGINE**

PUB-EP1640
Rev. 02/03

Robin America, Inc.

940 Lively Blvd. • Wood Dale, IL 60191 • Phone: 630-350-8200 • Fax: 630-350-8212
e-mail: sales@robinamerica.com • www.robinamerica.com

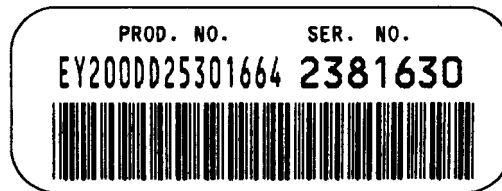
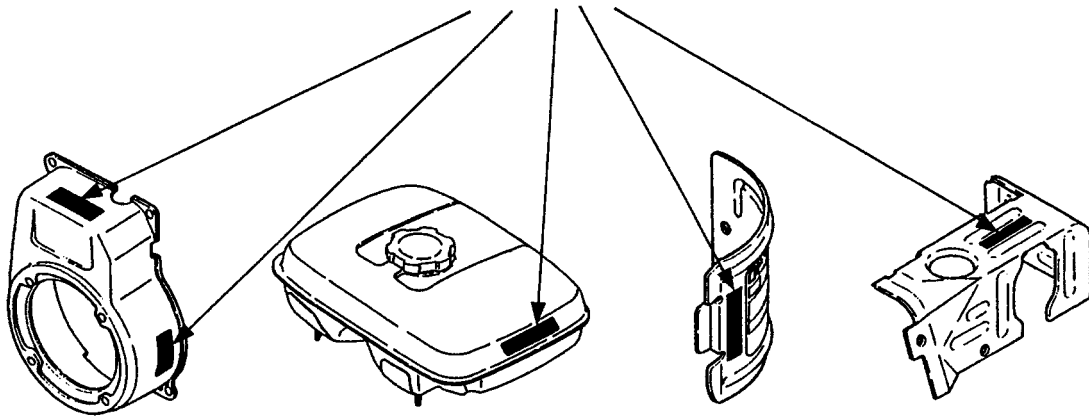
© Copyright 2003 Robin America, Inc.

HOW TO USE THIS MANUAL

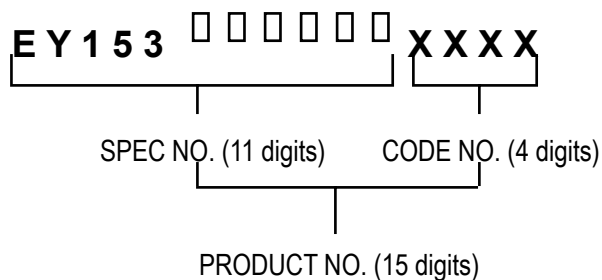
Robin engines are identified by MODEL, SPECIFICATION, and CODE NUMBER. For each model there may be many different versions called specifications. Each specification will be unique in some way. The difference may only be the paint color or it may have a different type of PTO or some other significant difference.

In order to identify the correct service part number, it is important to confirm the specification and code numbers for your engine. The specification and code number together are known as the PRODUCT NUMBER.

All Robin 4 cycle engines have a Product Number label similar to the label illustrated below.



The Product Number Label has a 15 digit alphanumeric string that consists of the SPECIFICATION (SPEC) number (11 digits) and the CODE number (4 digits). Please note the illustration below:



MANUAL LAYOUT

1— SECTION 6 FUEL GROUP

2— FIG. 600

3

4

5

6

7

8

9

10

15

20,27

30

31

40

50

DETAIL A

1—SECTION 6 FUEL GROUP

REF.	PART NO.	DESCRIPTION	QTY.	REMARKS	FROM-TO	FIG.
10	267-60103-01	FUEL TANK CP	1	YD, YS TYPE, BLACK		600
27	267-60101-01	FUEL TANK CP	1	YELLOW		600
27	073-20039-00	LABEL, WARNING	1	YD, YS TYPE		600
30	043-04300-15	FUEL TANK CAP CP	1			600
31	267-95201-03	LABEL, EMISSION	1	YD, YS TYPE		600
40	064-13600-10	FUEL FILTER	1			600
50	064-20021-01	FUEL STRAINER AY	1			600
-1	064-20002-20	FILTER	1			600
-2	064-20002-30	GASKET	1			600
-3	064-20019-10	CUP	1			600

1. SECTION NAME Parts are broadly classified according to their functions. Refer to the Group Index (table of contents) for respective section name.
2. FIG. No. The FIG. number indexes the reference and part numbers to the illustration. Figure numbers that vary only in the tens place (i.e.: 700 and 710) are in a group of the same section (i.e.:Electrical Device Group).
3. REF. No. The Reference number identifies the part illustration with the corresponding part number in the part list.
4. SUBASSEMBLY SUBASSEMBLY parts of part assembly are listed below the assembly part. The subassembly part reference number is indicated by the number led by "-" such as "-1", "-2".
5. PART NUMBER It is the number assigned for sales unit. Use the PART No. when making an order.
6. DESCRIPTION It is designation of the part.
7. QTY. Quantity of each part used for each product.
8. REMARKS This gives a distinctive feature and/or a supplementary comment for the type, the specification, and the part concerned. It also shows part number(s) interchangeable for the part.
9. FROM-TO This section shows the CODE No. to indicate the history of progress in which improved parts have been introduced in the product. The FROM-TO CODE No. helps to identify PART No. being employed in the product concerned. See the examples below:
 - The part is used in the product irrespective of CODE No.
 - 2101- The part is used in the products with CODE No. of 2101 and after this number.
 - 2100 The part is used in the products with CODE No. of 2100 and before this number.

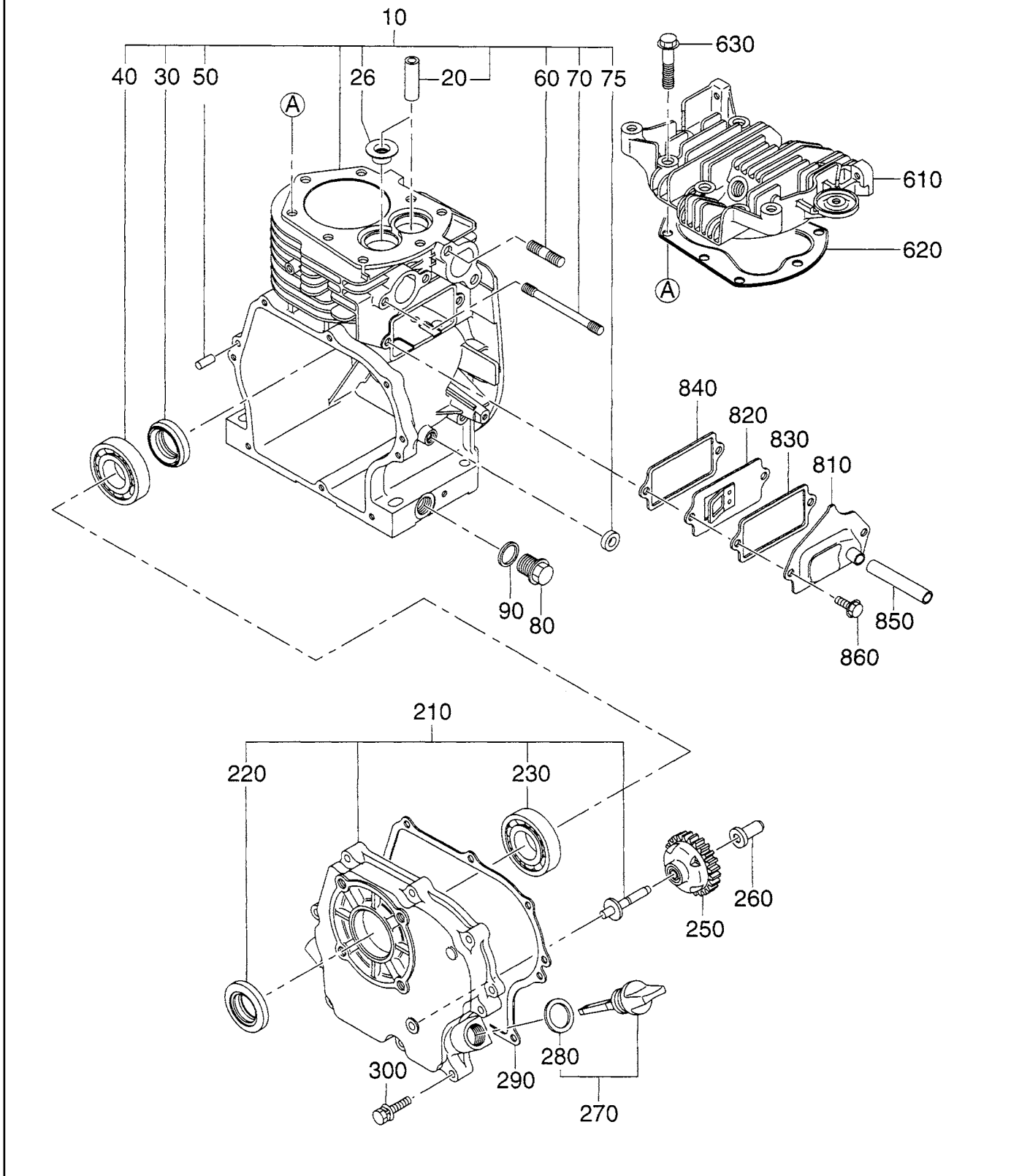
GROUP INDEX

Group Name	Page
CRANKCASE GROUP	6
CRANKSHAFT GROUP	8
INTAKE and EXHAUST GROUP	10
GOVERNOR GROUP	12
COOLING and STARTING GROUP	14
FUEL, LUBRICANT GROUP	18
CARBURETOR GROUP	20
ELECTRIC DEVICE GROUP	22
OIL SENSOR	24

INDEX OF DESCRIPTION SYMBOLS			
SYMBOL	DESCRIPTION	SYMBOL	DESCRIPTION
AY	ASSEMBLY	P=	PITCH (in mm)
CP	COMPLETE	P.T.O. (PTO)	POWER TAKE OFF
EX	EXPORT (from Japan)	REF	REFERENCE
FIG	FIGURE	R.H. (RH)	RIGHT HAND SIDE
FR	FRONT	RR	REAR
"	INCH	STD.	STANDARD
INCL.	INCLUDE	SW	SWITCH
~L	LITER	T=	THICKNESS (in mm)
L=	LENGTH (in. mm)	UN	UNIT
L.H. (LH)	LEFT-HAND SIDE	U.S.	UNDER SIZE
MECH	MECHANICAL	~V	VOLTAGE
NO (NON)	NONE	~W	WATT
OPT	OPTIONAL	W/	WITH
O.S.	OVER SIZE	W/O	WITHOUT

SECTION 1 CRANKCASE GROUP

FIG. 100



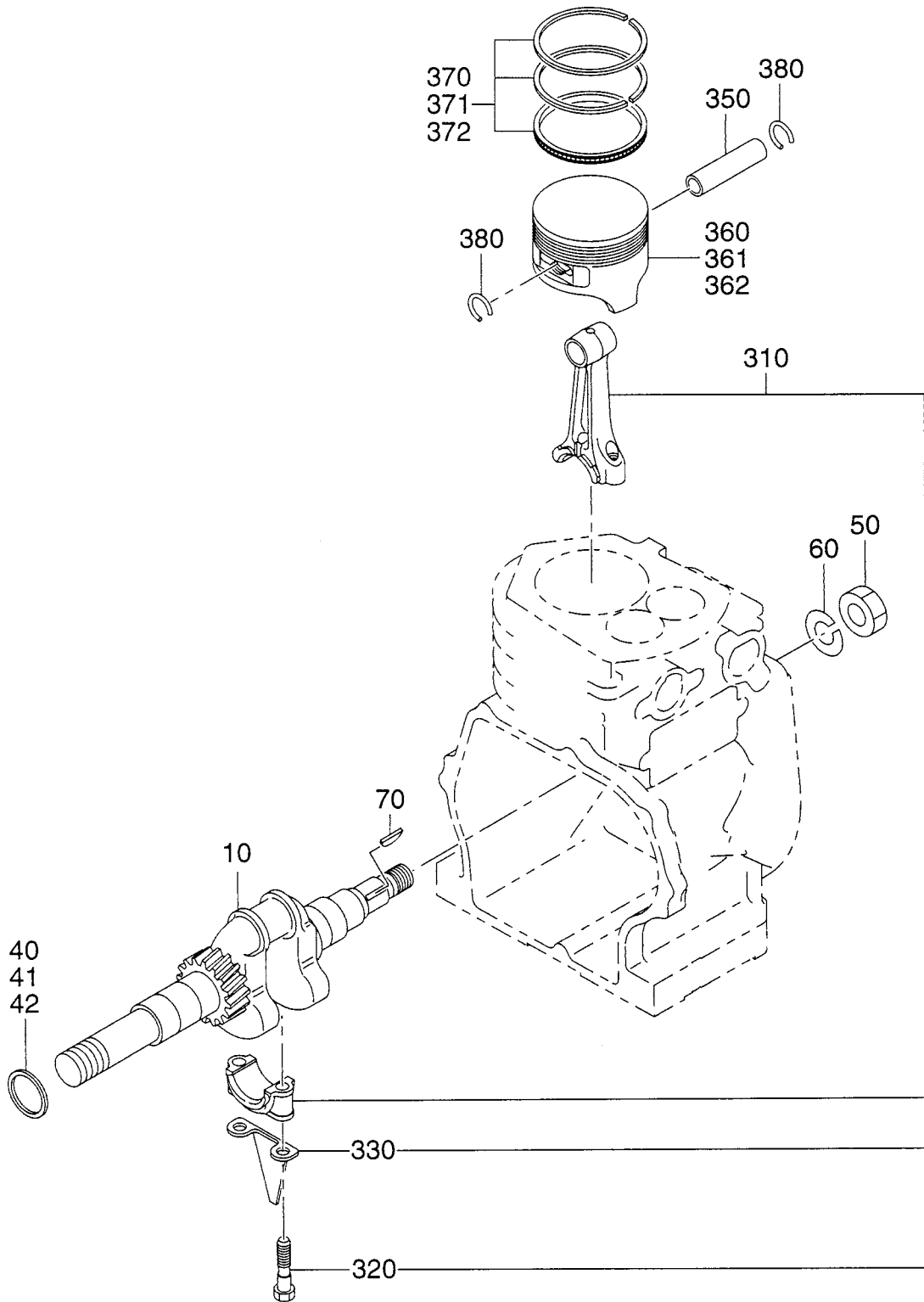
SECTION 1 CRANKCASE GROUP

REF.	PART NO.	DESCRIPTION	QTY.	REMARKS	FROM-TO	FIG.
10	281-10111-01	CRANKCASE CP	1	w/ stem seal		100
20	227-14202-03	VALVE GUIDE	2			100
26	282-16301-03	STEM SEAL	1			100
30	044-02501-50	OIL SEAL	1			100
40	X60-02500-10	BALL BEARING	1			100
50	031-00600-20	DOWEL PIN	2			100
60	010-50802-50	STUD	2			100
70	010-50601-20	STUD	2			100
75	044-00800-10	OIL SEAL	1	VC8144		100
80	040-11400-30	PLUG	2			100
90	021-11400-20	GASKET	2	EY153YD1030		100
	021-81400-10	GASKET	2	EY153YD4000		100
210	282-11002-01	MAIN BEARING COVER CP	1			100
220	044-02501-60	OIL SEAL	1			100
230	X60-02500-10	BALL BEARING	1			100
250	227-45003-01	GOVERNOR GEAR CP	1			100
260	205-41901-03	GOVERNOR SLEEVE	1			100
270	282-63601-H1	OIL GAUGE CP	2			100
280	X21-31600-20	GASKET	2			100
290	227-16001-03	GASKET, bearing cover	1			100
300	013-00600-40	BOLT and WASHER AY	8			100
610	226-13001-13	CYLINDER HEAD CP	1			100
620	281-15001-01	GASKET CP, head	1			100
630	011-00800-10	FLANGE BOLT	8			100
810	227-14301-01	TAPPET COVER CP	1			100
820	227-14401-01	BREATHER PLATE CP	1			100
830	282-16006-03	GASKET, tappet cover	1			100
840	282-16007-03	GASKET, breather plate	1			100
850	085-10800-00	RUBBER PIPE	1			100
860	011-00600-20	FLANGE BOLT	2			100
*960	281-99001-07	GASKET SET	1			100

* Gasket Set 281-99001-07 includes the following:
 Fig 100 items 290, 620, 830 and 840
 Fig 300 items 340, 550 and 560

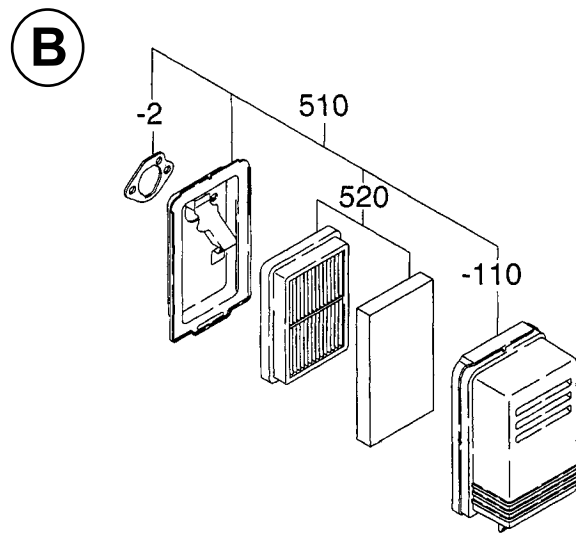
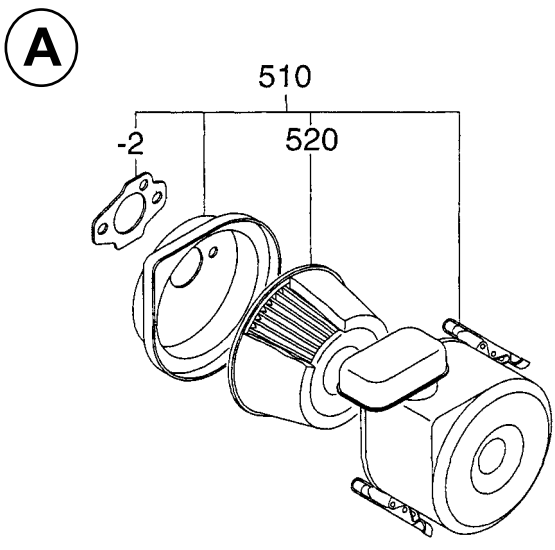
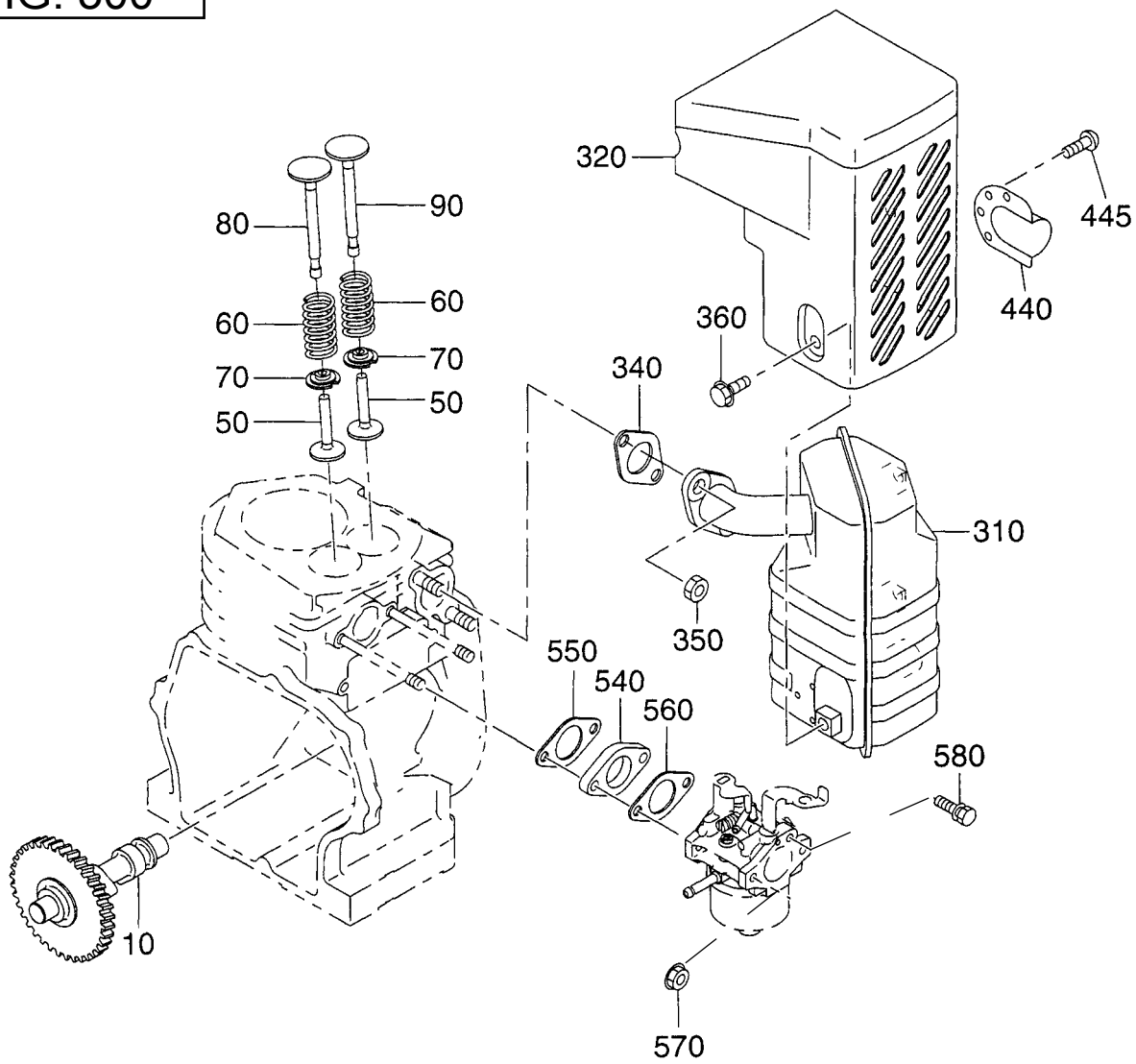
SECTION 2 CRANKSHAFT GROUP

FIG. 200



SECTION 3 INTAKE and EXHAUST GROUP

FIG. 300

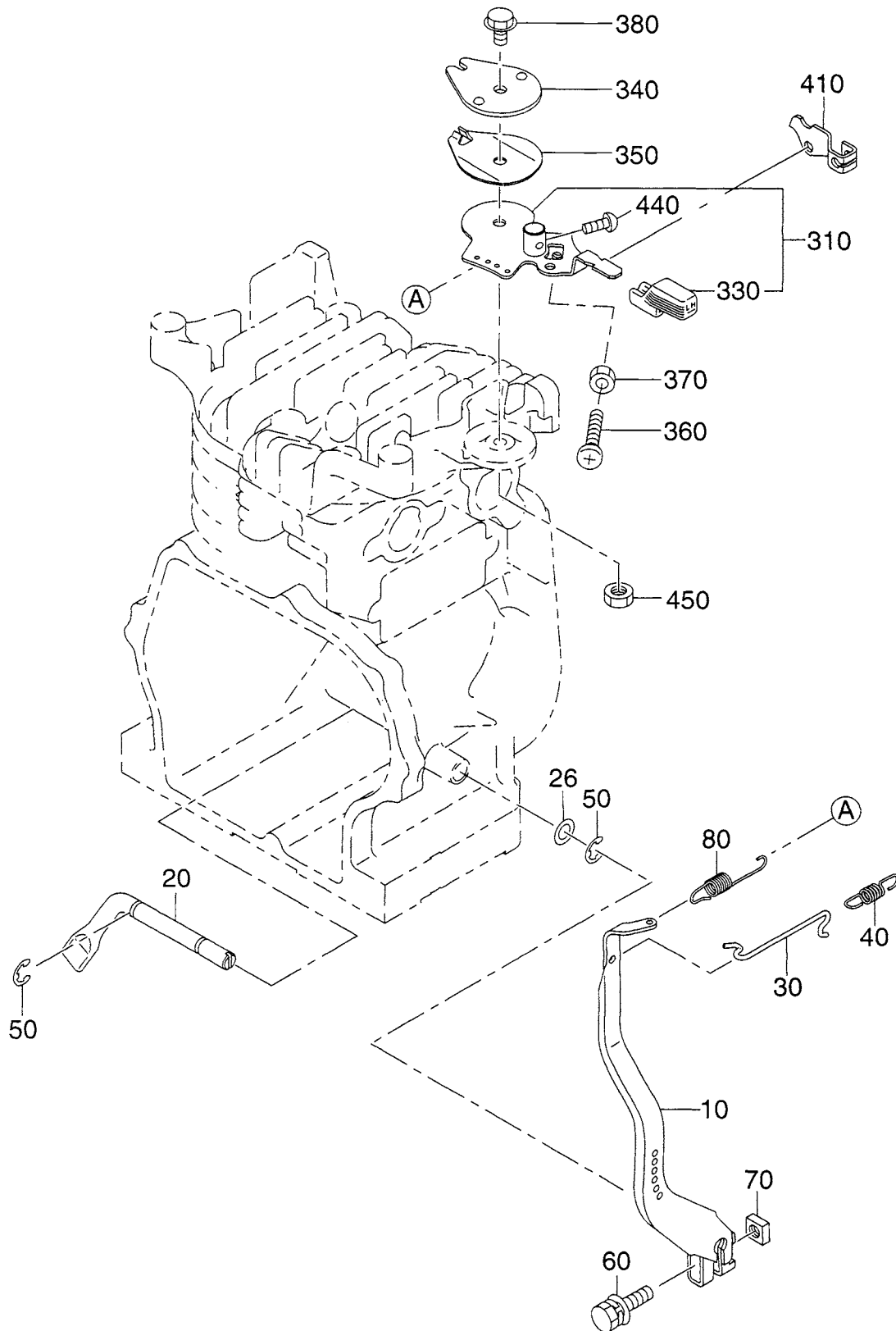


SECTION 3 INTAKE and EXHAUST GROUP

REF.	PART NO.	DESCRIPTION	QTY.	REMARKS	FROM-TO	FIG.
10	226-31701-13	CAMSHAFT	1			300
50	226-33301-03	TAPPET	2			300
60	227-33601-03	VALVE SPRING	2			300
70	227-33701-03	SPRING RETAINER	2			300
80	281-33401-03	INTAKE VALVE	1			300
90	281-33501-03	EXHAUST VALVE	1			300
310	281-30101-H1	MUFFLER CP	1			300
320	281-34201-H1	MUFFLER COVER CP	1			300
340	281-35201-01	GASKET CP, ehaust	1			300
350	017-00800-30	NUT	2			300
360	011-00600-10	FLANGE BOLT	3			300
440	282-37001-H3	DEFLECTOR	1			300
445	015-00400-10	TAPPING SCREW	2			300
510	282-32610-00	AIR CLEANER AY	1	EY153YD1030		300A
	226-32665-10	AIR CLEANER AY	1	EY153YD4000		300B
-2	282-32651-08	PACKING	1	EY153YD1030		300A
	227-36003-13	PACKING	1	EY153YD4000		300B
-110	282-32640-08	COVER CP	1	EY153YD1030		300B
520	282-32601-07	ELEMENT SET	1	EY153YD1030		300A
	226-32660-17	ELEMENT SET	1	EY153YD4000		300B
540	227-32901-13	INSULATOR	1			300
550	282-35901-03	GASKET, insulator	1			300
560	227-35904-03	GASKET 2, insulator	1			300
570	226-39212-00	NUT and WASHER AY	2			300
580	001-10061-20	BOLT and WASHER AY	1			300

SECTION 4 GOVERNOR GROUP

FIG. 400

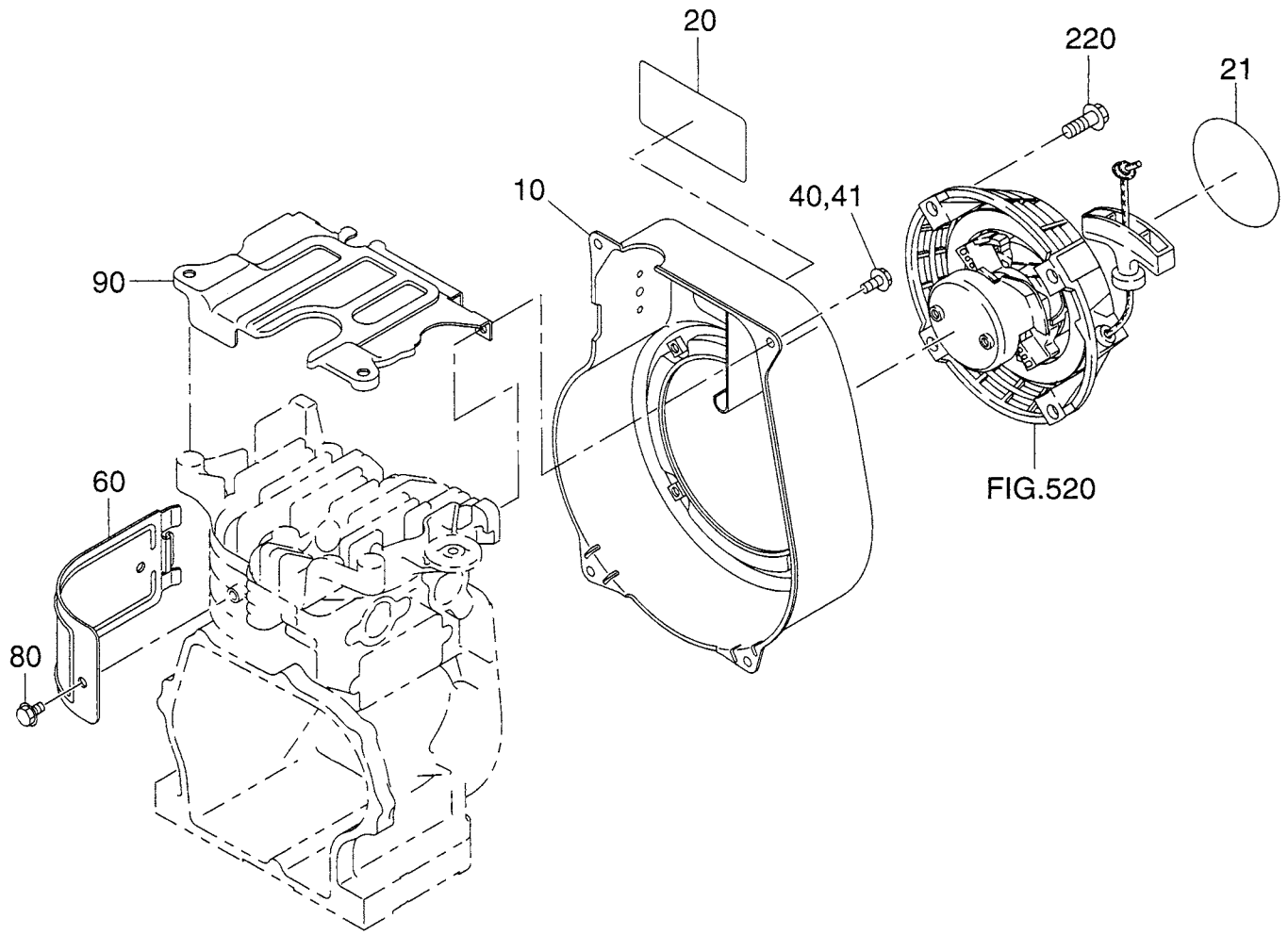


SECTION 4 GOVERNOR GROUP

REF.	PART NO.	DESCRIPTION	QTY.	REMARKS	FROM-TO	FIG.
10	281-42301-01	GOVERNOR LEVER CP	1	EY153YD1030		400
	281-42302-01	GOVERNOR LEVER CP	1	EY153YD4000		400
20	227-42201-03	GOVERNOR SHAFT	1			400
26	003-11080-00	WASHER	1			400
30	227-42701-01	GOVERNOR ROD	1			400
40	227-42801-03	ROD SPRING	1			400
50	003-13060-00	CLIP	2			400
60	001-14062-50	BOLT and WASHER AY	1			400
70	018-60600-20	NUT	1			400
80	226-42501-13	GOVERNOR SPRING	1			400
310	227-43301-10	SPEED CONTROL AY	1	EY153YD1030		400
	227-43302-20	SPEED CONTROL AY	1	EY153YD4000		400
330	227-43601-03	KNOB	1			400
340	227-43501-13	STOP PLATE	1			400
350	227-45002-03	SPRING WASHER	1			400
360	004-31063-00	SCREW	1			400
370	002-27060-00	NUT	1			400
380	011-00600-30	FLANGE BOLT	1	EY153YD1030		400
	011-00600-50	FLANGE BOLT	1	EY153YD4000		400
410	227-44203-13	WIRE BRACKET	1			400
440	004-31040-80	SCREW	1			400
450	002-27060-00	NUT	1			400

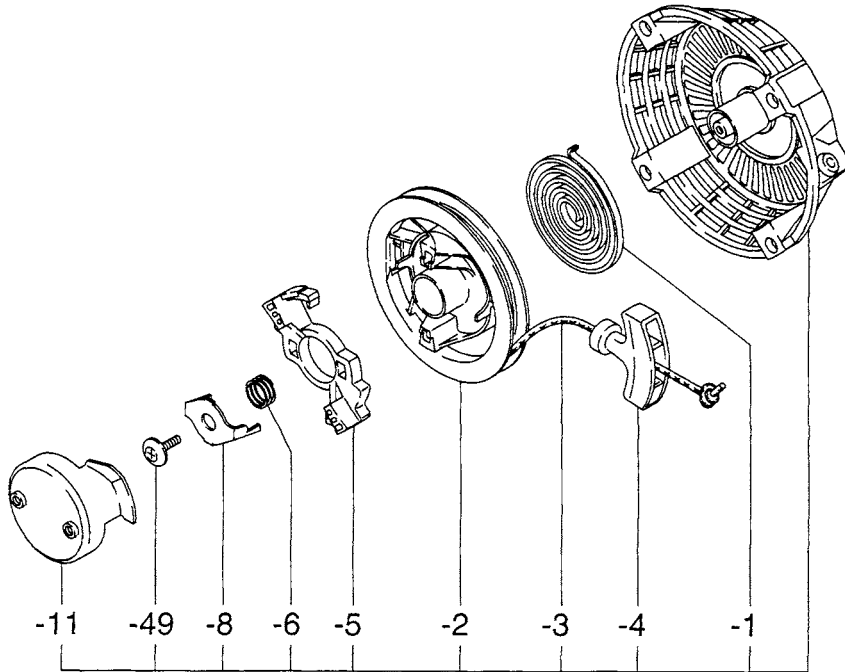
SECTION 5 COOLING and STARTING GROUP

FIG. 500



SECTION 5 COOLING and STARTING GROUP

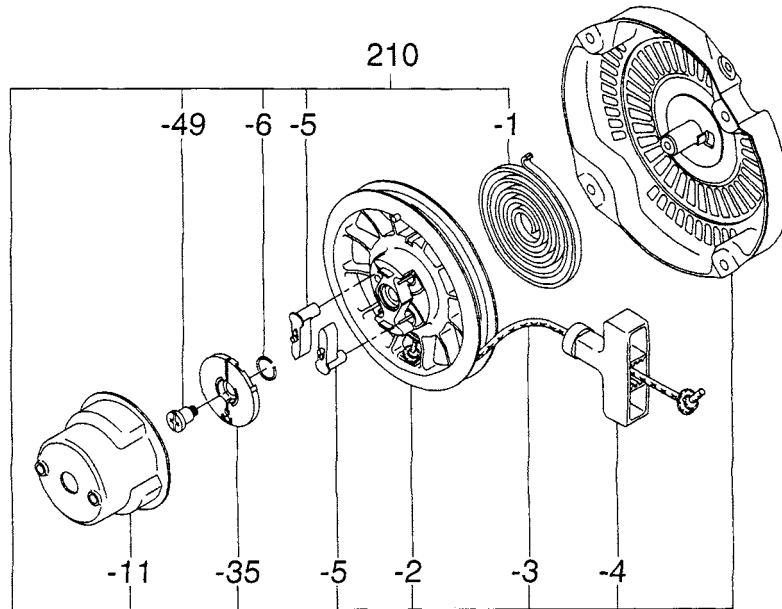
FIG. 510



(A)

210

(B)

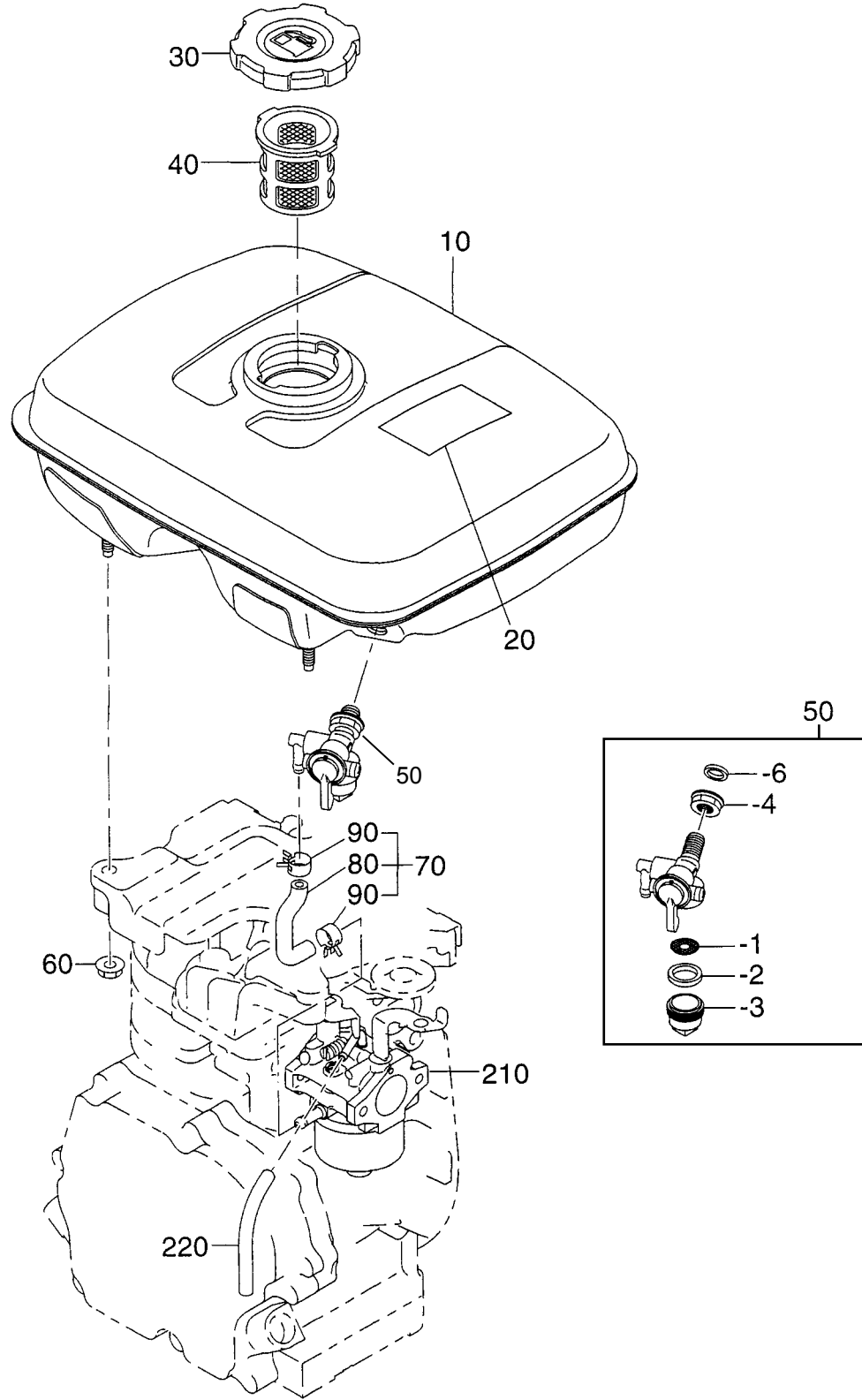


SECTION 5 COOLING and STARTING GROUP

REF.	PART NO.	DESCRIPTION	QTY.	REMARKS	FROM-TO	FIG.
210	281-50311-00	RECOIL STARTER AY	1	EY153YD1030		510A
	281-50211-00	RECOIL STARTER AY	1	EY153YD4000		510B
-1	226-50716-08	SPIRAL SPRING	1	EY153YD1030		510A
	270-50115-08	SPIRAL SPRING	1	EY153YD4000		510B
-2	281-50320-08	REEL	1	EY153YD1030		510A
	281-50120-08	REEL	1	EY153YD4000		510B
-3	281-50310-08	STARTER ROPE	1	EY153YD1030		510A
	281-50111-08	STARTER ROPE	1	EY153YD4000		510B
-4	281-50300-08	STARTER KNOB	1	EY153YD1030		510A
	261-50100-08	STARTER KNOB	1	EY153YD4000		510B
-5	281-50325-08	RATCHET	1	EY153YD1030		510A
	270-50125-08	RATCHET	2	EY153YD4000		510B
-6	281-50330-08	FRICION SPRING	1	EY153YD1030		510A
	227-50131-08	FRICION SPRING	1	EY153YD4000		510B
-8	281-50340-08	FRICION PLATE	1			510A
-11	281-50345-08	STARTER PULLEY	1	EY153YD1030		510A
	268-50145-18	STARTER PULLEY	1	EY153YD4000		510B
-35	270-50261-08	RATCHET GUIDE	1			510B
-49	281-50351-08	CENTER SCREW	1	EY153YD1030		510A
	227-50152-08	CENTER SCREW	1	EY153YD4000		510B

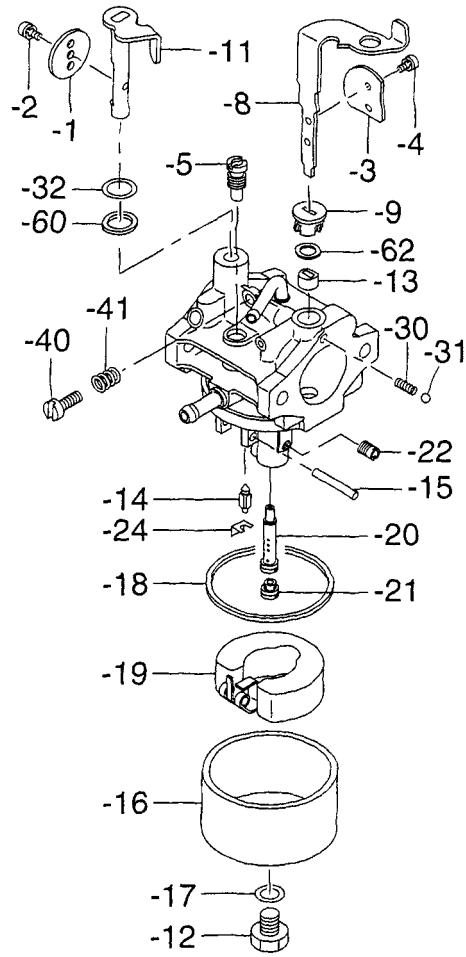
SECTION 6 FUEL, LUBRICANT GROUP

FIG. 600



SECTION 6 FUEL, LUBRICATION GROUP

FIG. 610

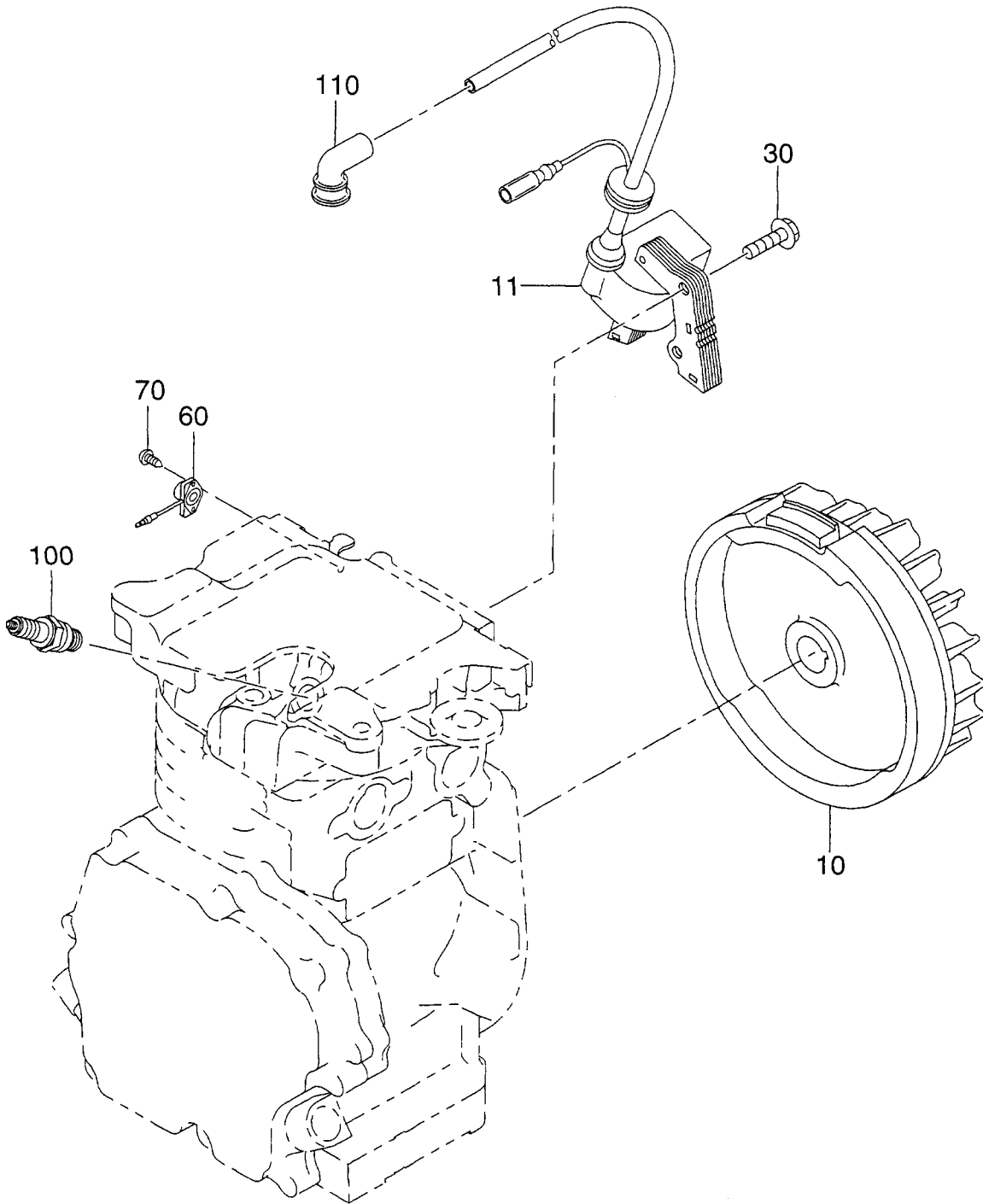


SECTION 6 FUEL, LUBRIACTION GROUP

REF.	PART NO.	DESCRIPTION	QTY.	REMARKS	FROM-TO	FIG.
210	226-62460-00	CARBURETOR AY	1	EY153YD1030		610
	226-62455-00	CARBURETOR AY	1	EY153YD4000		610
-1	214-62535-08	THROTTLE VALVE	1			610
-2	209-62351-08	SCREW	1			610
-3	227-62527-08	CHOKE VALVE	1			610
-4	237-62451-08	SCREW	2			610
-5	246-62420-08	PILOT JET	1	#40		610
-8	226-62520-18	SHAFT AY, choke	1			610
-9	226-62551-08	RING	1			610
-11	226-62532-08	SHAFT AY, throttle	1			610
-12	227-62451-08	BOLT	1			610
-13	226-62550-08	RING	1			610
-14	26-62502-08	NEEDLE VALVE AY	1			610
-15	214-62515-08	PIN	1			610
-16	227-62558-08	FLOAT CHAMBER BODY	1			610
-17	214-62450-08	PACKING	1			610
-18	214-62540-08	CHAMBER PACKING	1			610
-19	226-62506-08	FLOAT AY	1			610
-20	226-62440-08	NOZZLE	1	EY153YD1030		610
	226-62456-08	MAIN NOZZLE	1	EY153YD4000		610
-21	227-62441-08	NOZZLE	1			610
-22	253-62401-08	MAIN JET	1	EY153YD1030		610
	226-62411-08	MAIN JET	1	EY153YD4000		610
-24	226-62701-18	CLIP	1			610
-30	209-62446-08	CHOKE SPRING	1			610
-31	209-62353-08	STEEL BALL	1			610
-32	106-62392-08	SEAL	1			610
-40	209-62352-08	SCREW	1			610
-41	209-62445-08	SPRING	1			610
-60	156-62351-08	PACKING	1			610
-62	227-62559-08	SEAL	1			610

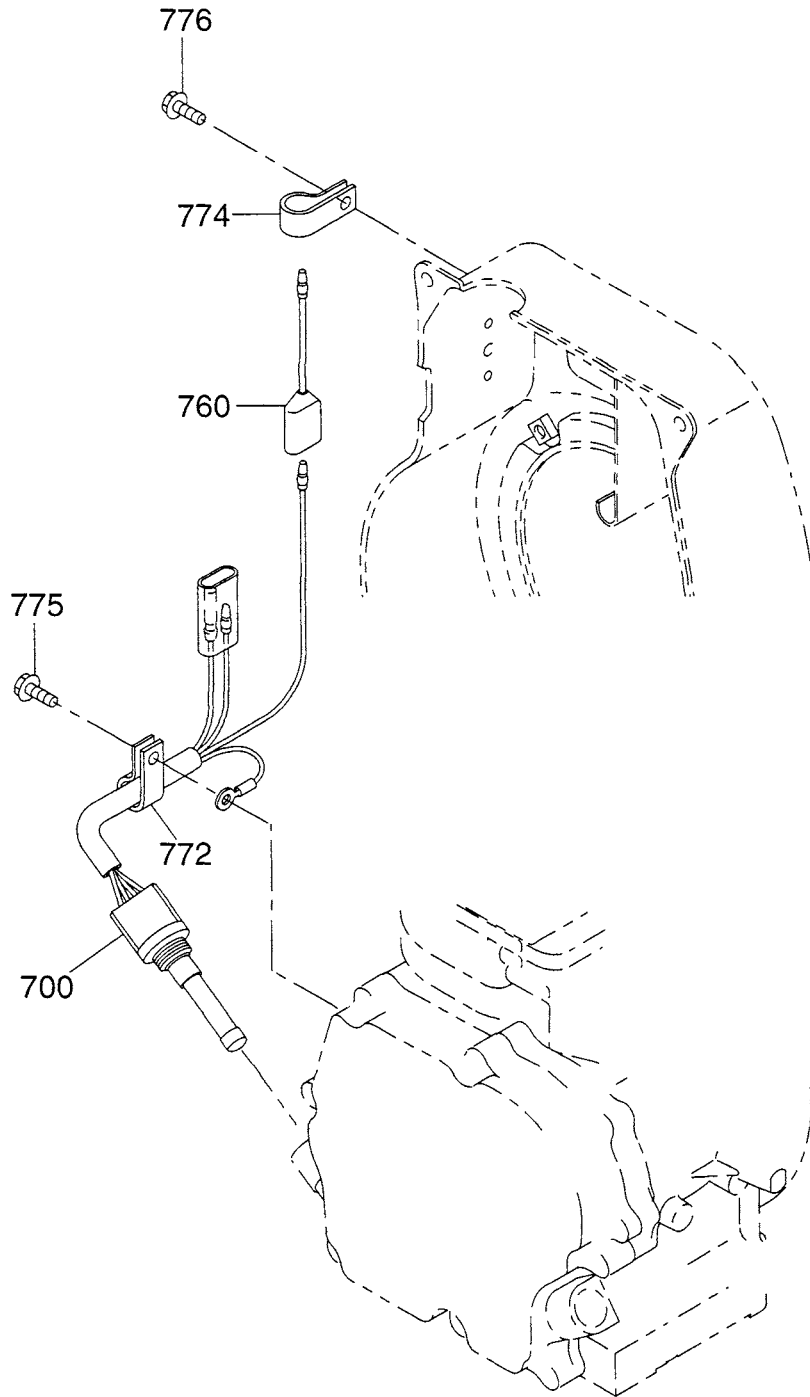
SECTION 7 ELECTRIC DEVICE GROUP

FIG. 700



SECTION 8 OIL SENSOR GROUP GROUP

FIG. 800



PRINTED IN THE USA