

PARTS MANUAL

Models

**RGV6100/6101
Generators**

PUB-GP1201A
Rev. 12/99

GROUP INDEX

Group Name	Page
GENERATOR GROUP - RGV6100	4
GENERATOR GROUP - RGV6101	6
FRAME for RECOIL STARTER TYPE	8
FRAME for ELECTRIC STARTER TYPE	10
CONTROL BOX	12
CONTROL PANEL for 60Hz-120V	16
FUEL TANK	18
MUFFLER	20
CRANKCASE	22
CRANKSHAFT and PISTON	24
INTAKE and EXHAUST	26
GOVERNOR OPERATION	28
COOLING and STARTING	30
CARBURETOR	32
MAGNETO for RECOIL STARTER TYPE	34
MAGNETO for ELECTRIC STARTER TYPE	36
STARTING MOTOR	38
SOLENOID	40
OIL SENSOR	42

Robin America, Inc.

940 Lively Blvd. • Wood Dale, IL 60191 • Phone: 630-350-8200 • Fax: 630-350-8212
e-mail: sales@robinamerica.com • www.robinamerica.com

© Copyright 1999 Robin America, Inc.

FIG. 1A GENERATOR GROUP - RGV6100

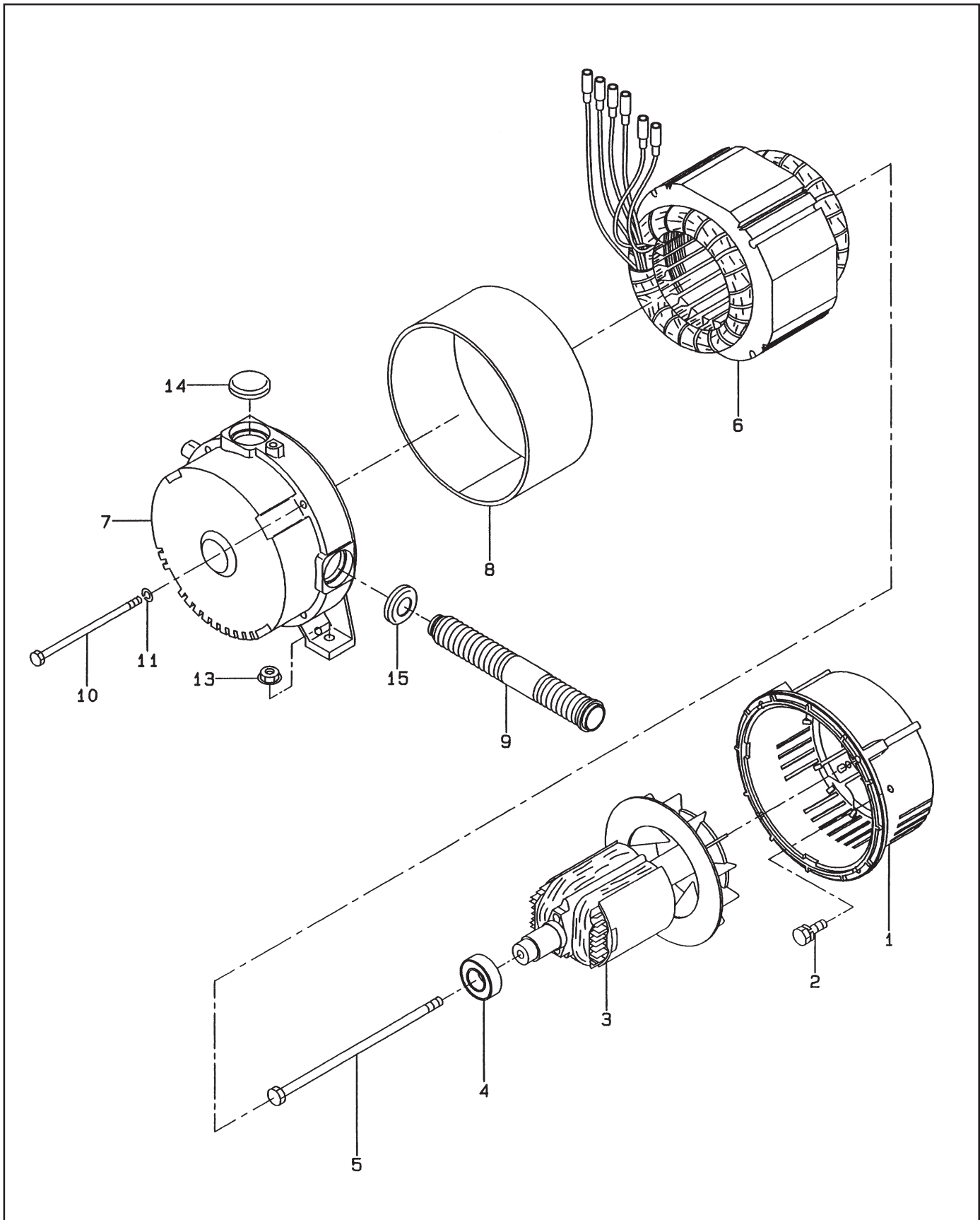


FIG. 1B GENERATOR GROUP - RGV6101

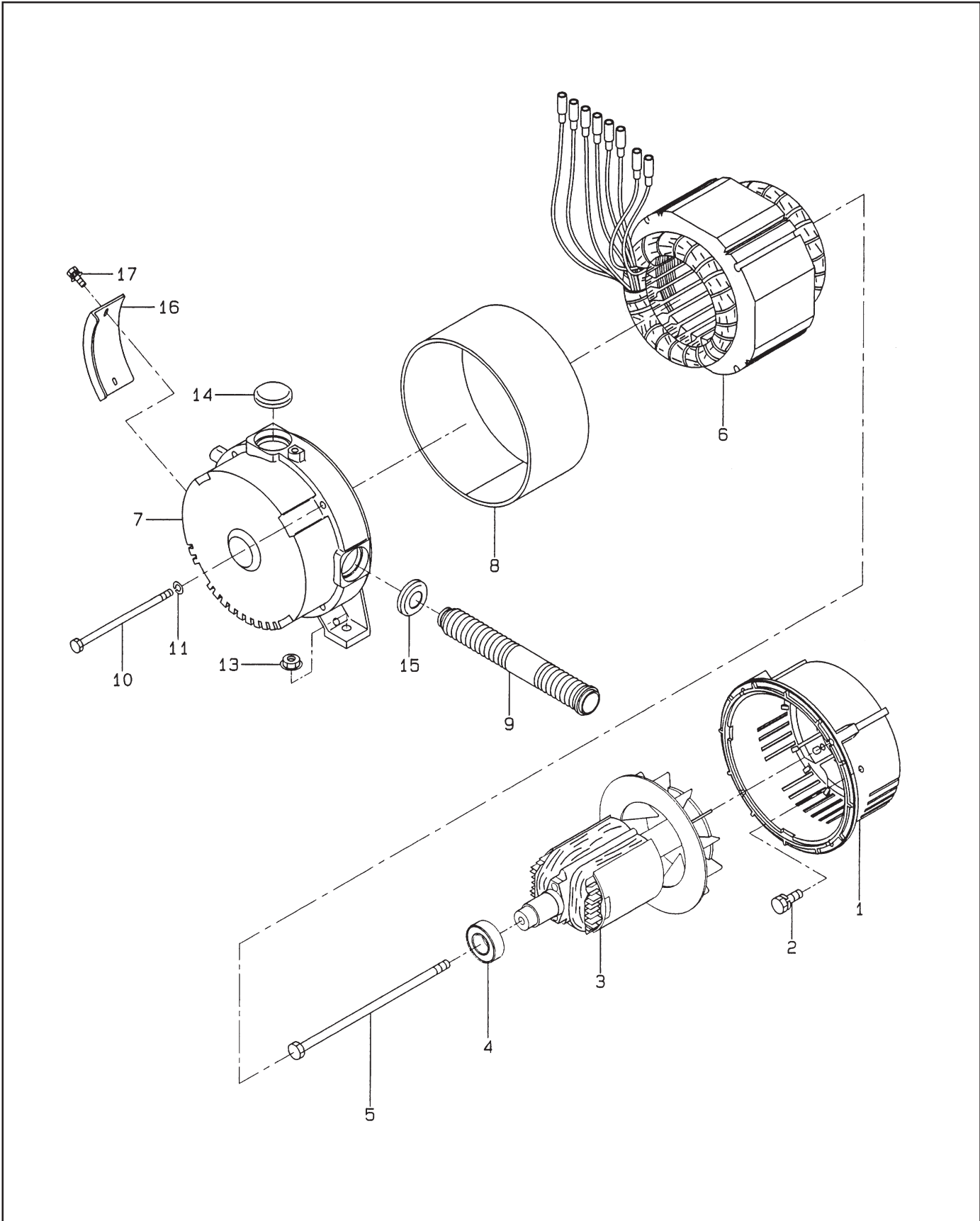


FIG. 2A FRAME for RECOIL STARTER TYPE - RGV6100/6101

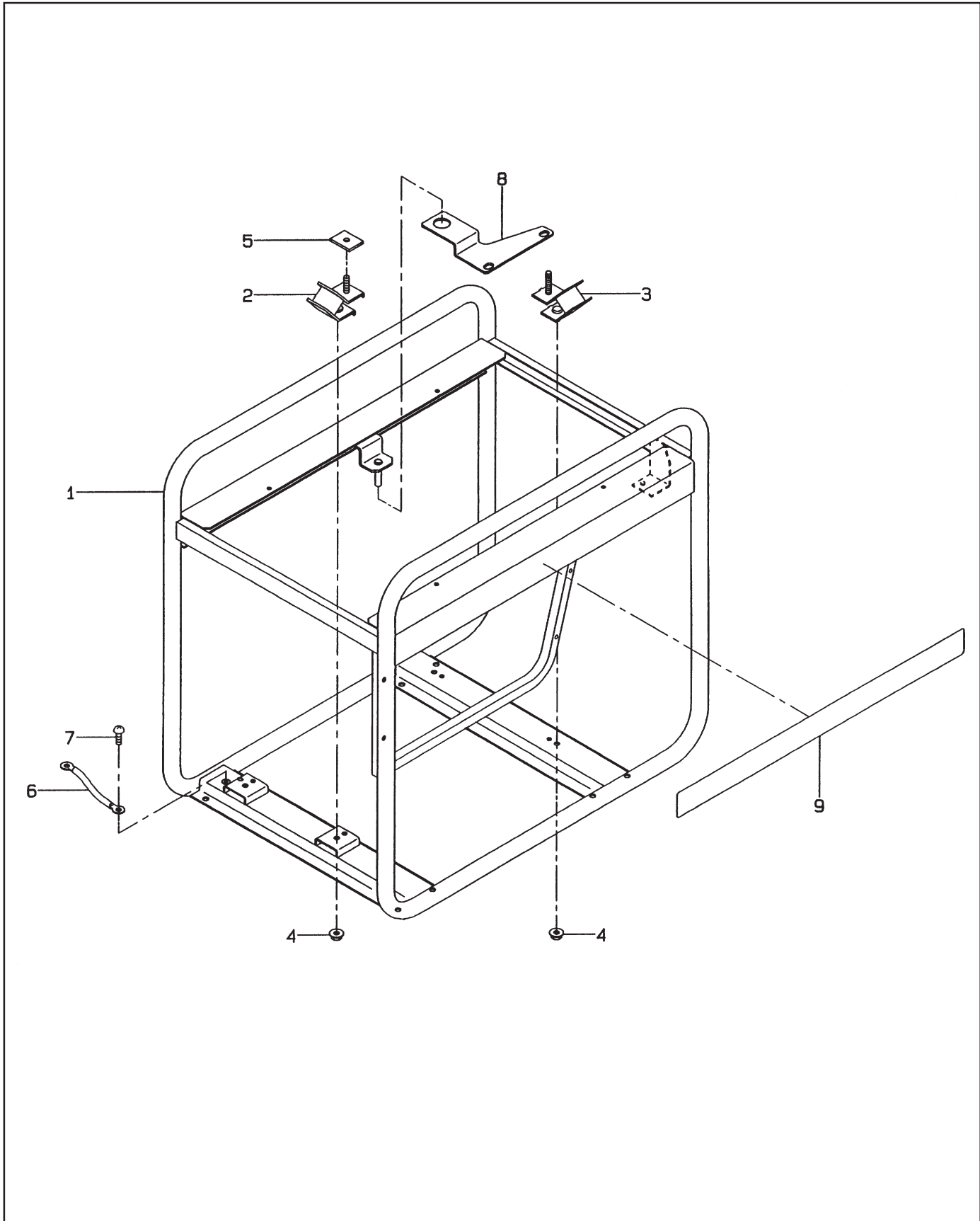


FIG. 2A FRAME for RECOIL STARTER TYPE - RGV6100/6101

REF	PART NUMBER	DESCRIPTION	QTY	REMARKS
1	31D-61116-01	PIPE FRAME, compl.	1	RGV6100
1	31D-61401-01	PIPE FRAME, compl.	1	RGV6101
2	31D-35002-01	RUBBER MOUNT UNIT	2	generator side
3	31D-35001-01	RUBBER MOUNT UNIT	2	engine side
4	002-38080-00	FLANGE NUT	4	
5	31C-69001-01	SPACER	2	
6	30A-82201-03	EARTH CORD	1	
7	392-49987-08	SCREW and WASHER ASS'Y (M5 x 8mm)	1	M5 x 8mm
8	31D-69101-01	STOPPER PLATE	1	
9	31D-83105-13	SIDE PLATE LABEL	1	RGV6100
9	31D-93204-03	LABEL, trademark	1	RGV6101

FIG. 2B FRAME for ELECTRIC STARTER TYPE - RGV100/6101

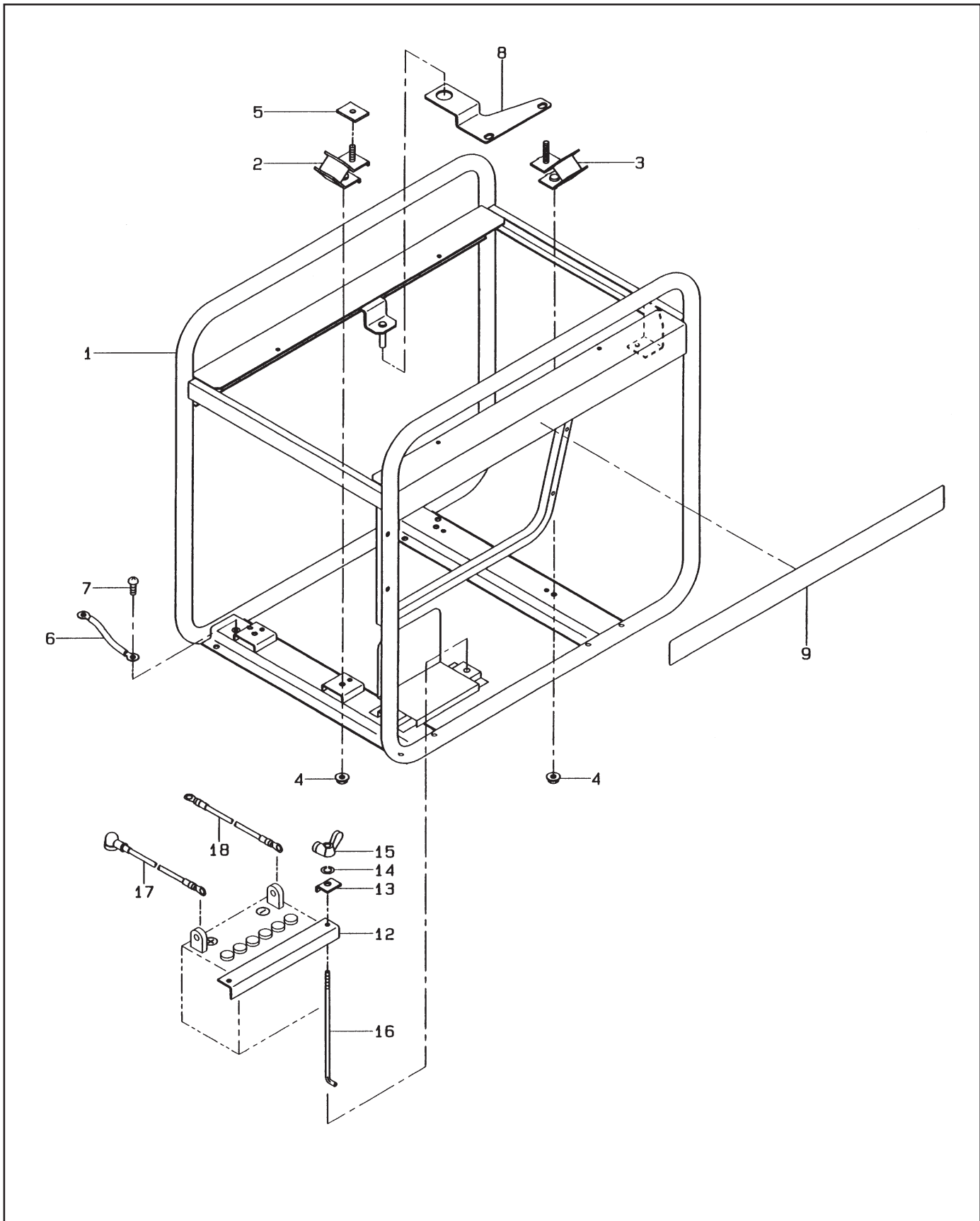


FIG. 2B FRAME for ELECTRIC STARTER TYPE - RGV100/6101

REF	PART NUMBER	DESCRIPTION	QTY	REMARKS
1	31D-61117-01	PIPE FRAME, compl.	1	RGV6100
1	31D-31402-07	PIPE FRAME, compl.	1	RGV6101
2	31D-35002-01	RUBBER MOUNT UNIT	2	generator side
3	31D-35001-01	RUBBER MOUNT UNIT	2	engine side
4	002-38080-00	FLANGE NUT	4	
5	31C-69001-01	SPACER	2	
6	30A-82201-03	GROUND CABLE	1	
7	392-49987-08	SCREW and WASHER ASS'Y	1	M5 x 8mm
8	31D-69101-01	STOPPER PLATE	1	
9	31D-83105-13	SIDE PLATE LABEL	1	RGV6100
9	31D-93204-03	SIDE PLATE LABEL	1	RGV6101
12	385-54382-08	BATTERY RETAINER	1	
13	385-54416-08	BATTERY SUPPORT	2	
14	003-20060-00	SPRING WASHER	2	
15	31C-69004-03	WING NUT	2	
16	353-59921-08	BATTERY BOLT	2	
17	31D-69001-03	BATTERY CABLE (+)	1	
18	31D-69002-03	BATTERY CABLE (-)	1	

FIG. 3 CONTROL BOX - RGV6100

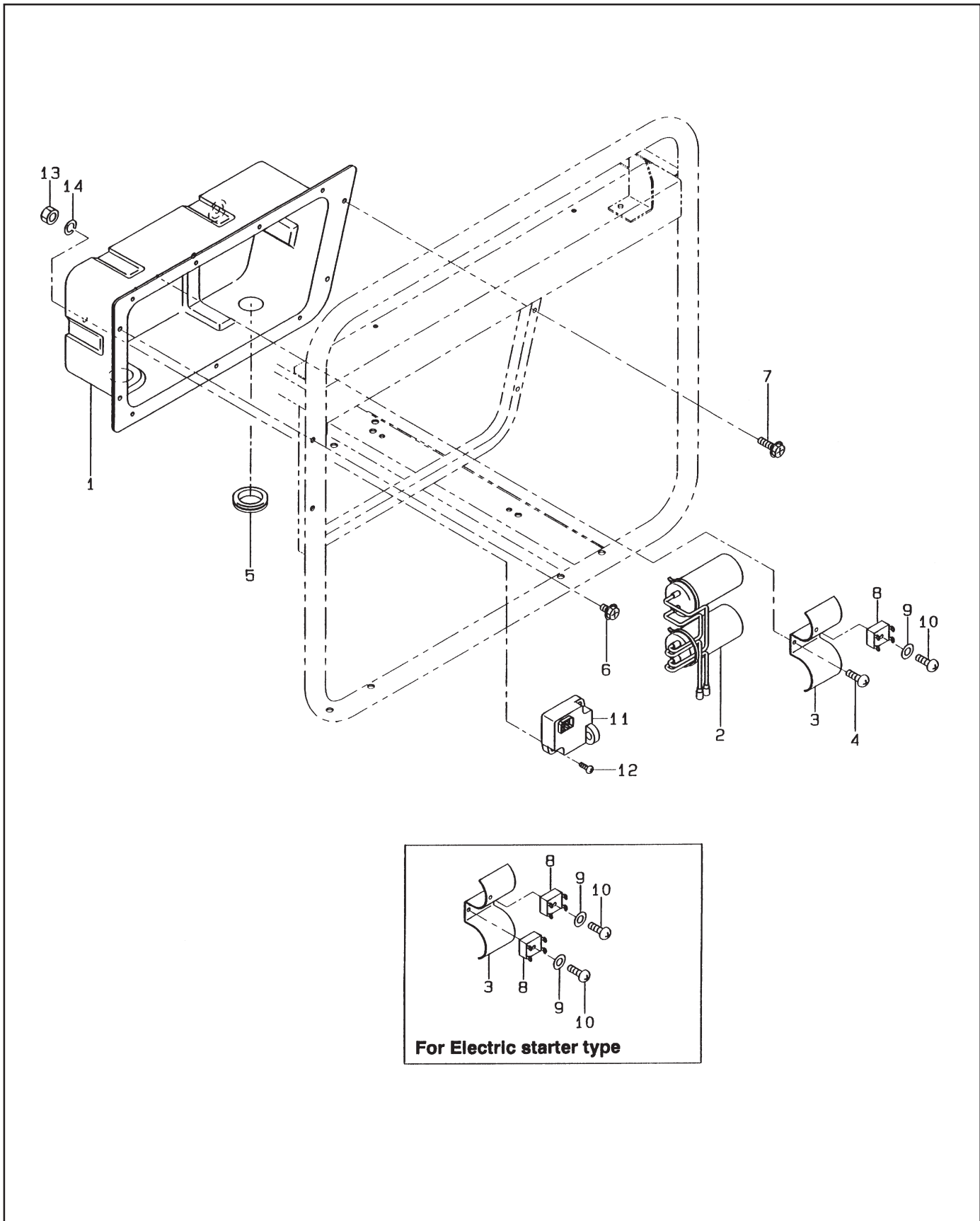


FIG. 3 CONTROL BOX - RGV6101

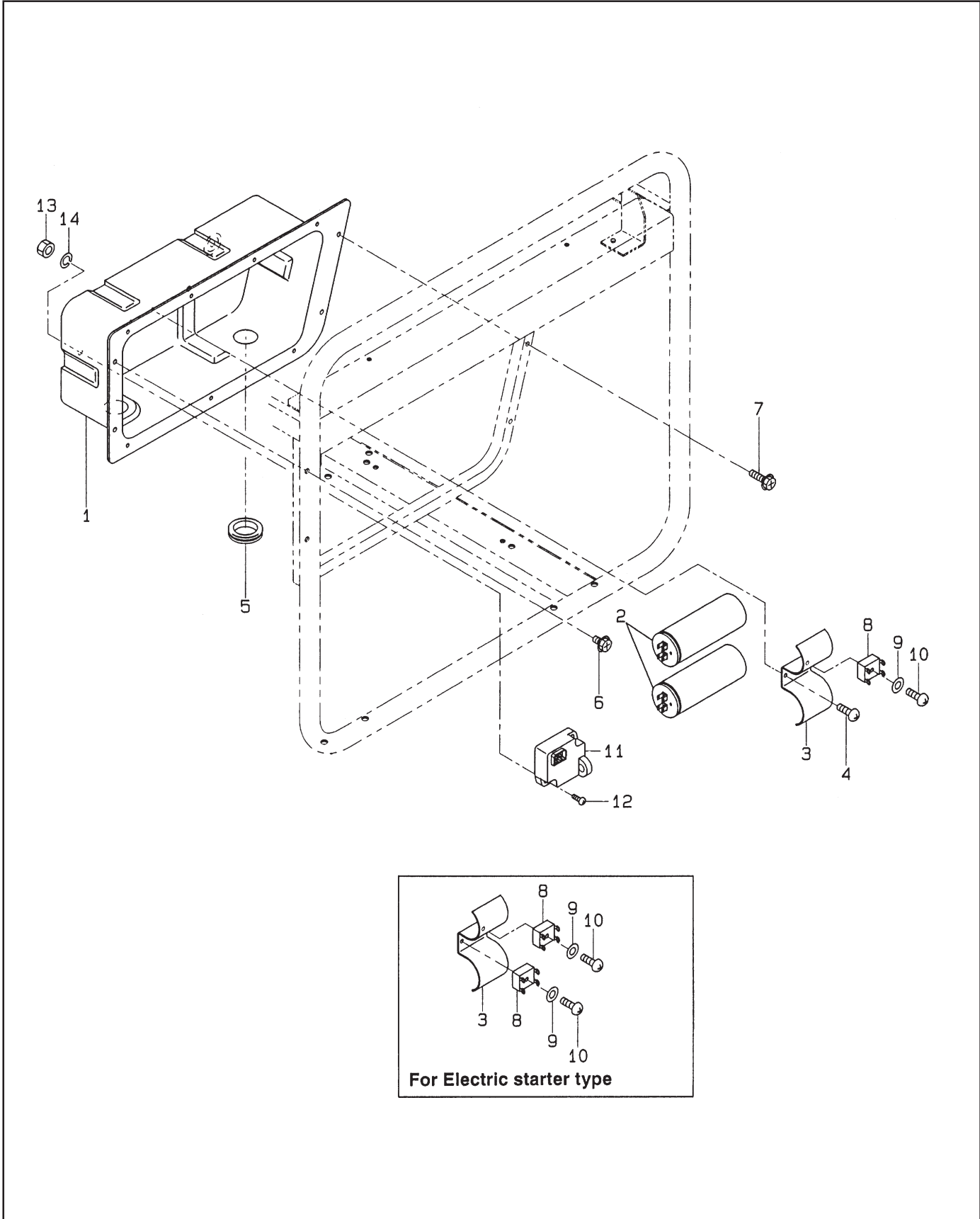


FIG. 4 CONTROL PANEL for 60Hz-120/240V - RGV6100/6101

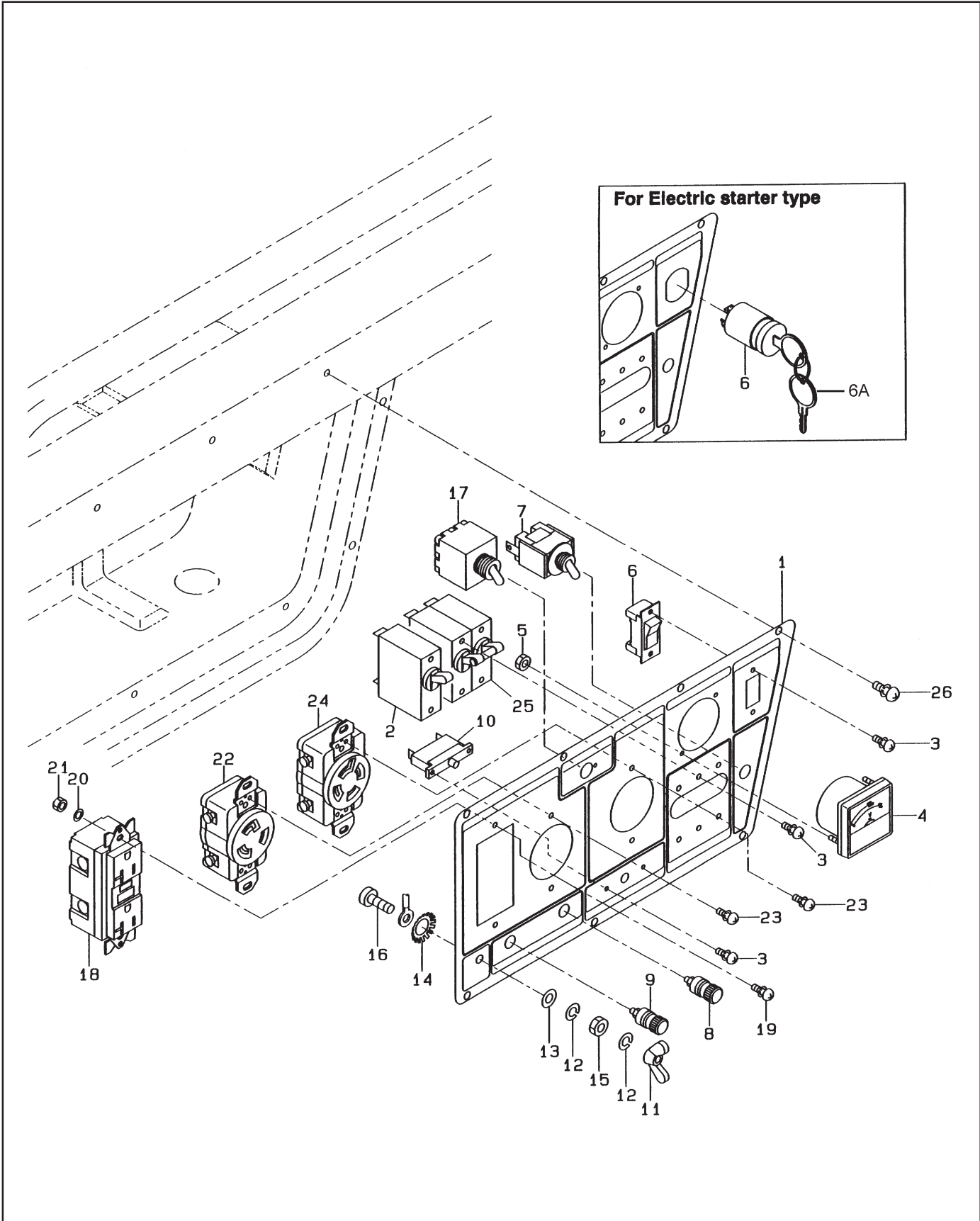


FIG. 4 CONTROL PANEL for 60Hz-120/240V - RGV6100/6101

REF	PART NUMBER	DESCRIPTION	QTY	REMARKS
*1	31D-72048-00	CONTROL PANEL ASS'Y, recoil starter type	1	Includes items 1 thru 25
*1	31D-72049-00	CONTROL PANEL ASS'Y, electric starter type	1	Includes items 1 thru 25
1	31D-72042-01	PANEL A, compl.	1	For Recoil starter type
1	31D-72043-01	PANEL A, compl.	1	For Electric starter type
2	31D-73003-03	NO FUSE BREAKER	1	1P30A
3	31B-79011-03	SCREW and WASHER ASS'Y	10	M3 x 5mm
4	391-47900-11	AC VOLTMETER	1	RGV6100
4	391-47902-01	AC VOLTMETER	1	RGV6101
5	388-49801-08	NUT (M3)	2	
6	31B-77505-01	ENGINE SWITCH	1	For Recoil starter type
6	066-00003-30	KEY SWITCH	1	For Electric starter type
6A	066-00099-80	KEY SET (2)	1	For Electric starter type
7	344-45615-08	TOGGLE SWITCH	1	
8	363-45701-08	TERMINAL BOLT (COLOR: RED)	1	
8	363-45700-08	TERMINAL BOLT (COLOR: BLACK)	1	
10	352-45620-08	CIRCUIT PROTECTOR (10A)	1	
11	353-49901-08	WING NUT (M5)	1	
12	332-00050-08	SPRING WASHER	2	
13	353-49903-08	WASHER	1	
14	372-59950-08	LOCK WASHER	1	
15	353-49902-08	NUT	1	
16	356-49907-08	SCREW	1	M5 x 15mm
17	355-45613-11	TOGGLE SWITCH	1	
18	31B-77506-01	AC RECEPTACLE (GFCI)	1	
19	004-35041-00	SCREW & WASHER ASS'Y	2	M4 x 10mm
20	003-10040-00	WASHER (M4)	2	
21	002-17040-00	NUT (M4)	2	
22	380-45749-08	RECEPTACLE (125V-30A)	1	125V-30A
23	356-59937-08	SCREW	4	
24	353-45724-08	RECEPTACLE	1	
25	31C-73002-03	NO FUSE BREAKER (2P20A)	1	RGV6100
25	31C-73004-03	NO FUSE BREAKER	1	RGV6101
26	351-49919-08	TAPPING SCREW (M4 x 10mm)	6	RGV6100
26	353-49904-08	SCREW and WASHER AY (M4 x 10mm)	6	RGV6101

FIG. 5 FUEL TANK - RGV6100/6101

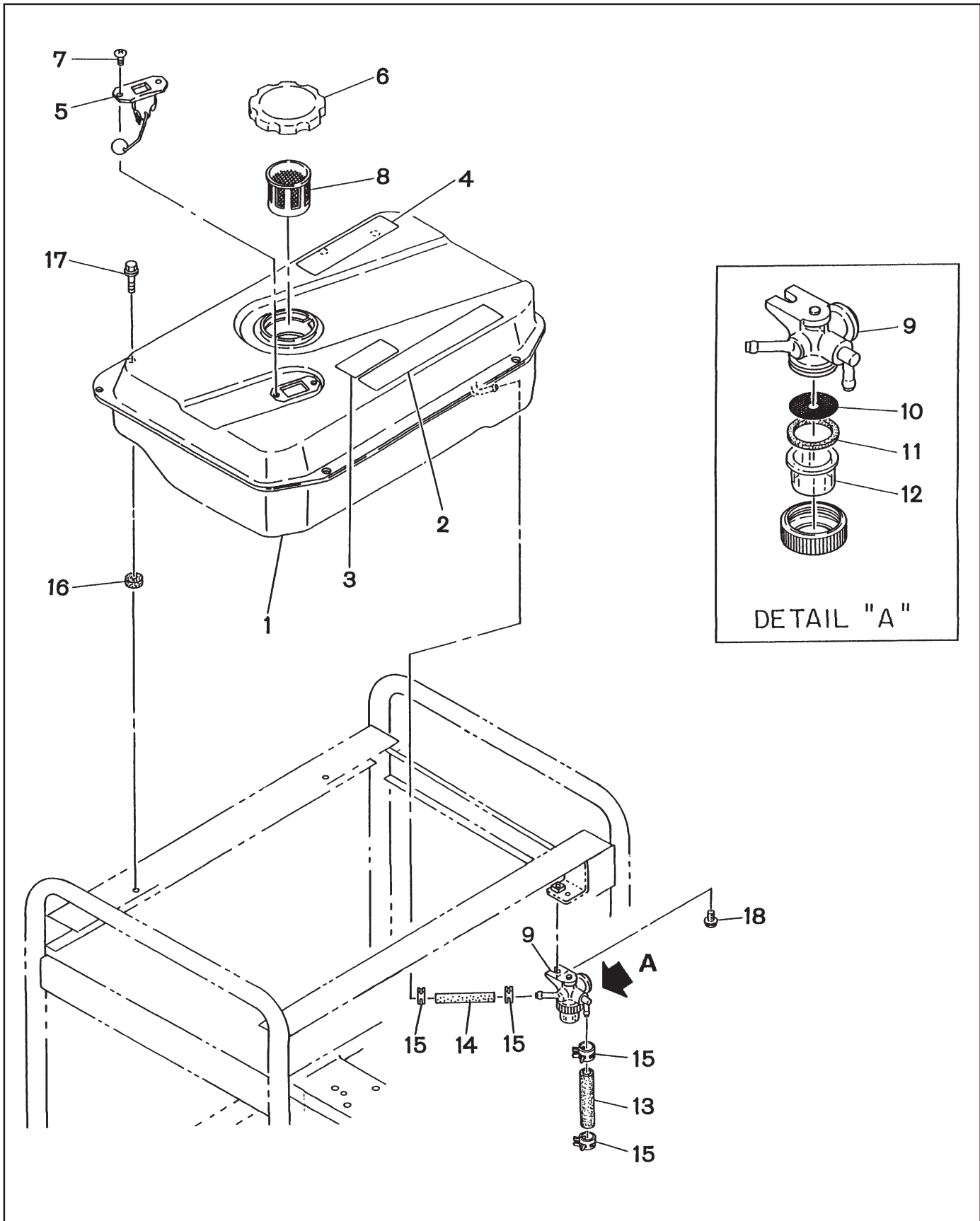


FIG. 5 FUEL TANK - RGV6100/6101

REF	PART NUMBER	DESCRIPTION	QTY	REMARKS
1	31D-36011-01	FUEL TANK, compl.	1	
2	388-93001-13	LABEL, starting	1	RGV6100
2	391-93012-03	LABEL, warning	1	RGV6101
3	388-93002-03	LABEL, stopping	1	RGV6100
3	388-93003-03	LABEL, caution	1	RGV6101
4	377-92500-03	LABEL, caution	1	RGV6100
5	064-80003-00	FUEL GAUGE, compl.	1	
6	043-05900-10	FUEL TANK CAP, compl.	1	RGV6100
6	043-05900-11	FUEL TANK CAP, ASS'Y	1	RGV6101
7	014-50500-40	SCREW (counter head)	2	
8	064-15400-11	FUEL FILTER	1	
*9	064-20036-01	FUEL STRAINER ASS'Y	1	Includes items 10 thru 12
10	064-20002-20	FILTER	1	
11	064-20030-30	PACKING	1	
12	064-20036-10	CUP	1	
13	085-10600-00	RUBBER PIPE	1	∅6 x ∅12 x 210mm
14	085-10600-00	RUBBER PIPE	1	∅6 x ∅12 x 80mm
15	056-11100-20	HOSE CLAMP	4	
16	391-39000-13	RUBBER (tank)	4	
17	011-00602-20	FLANGE BOLT	4	
18	011-00600-30	FLANGE BOLT	1	

FIG. 6 MUFFLER - RGV6100/6101

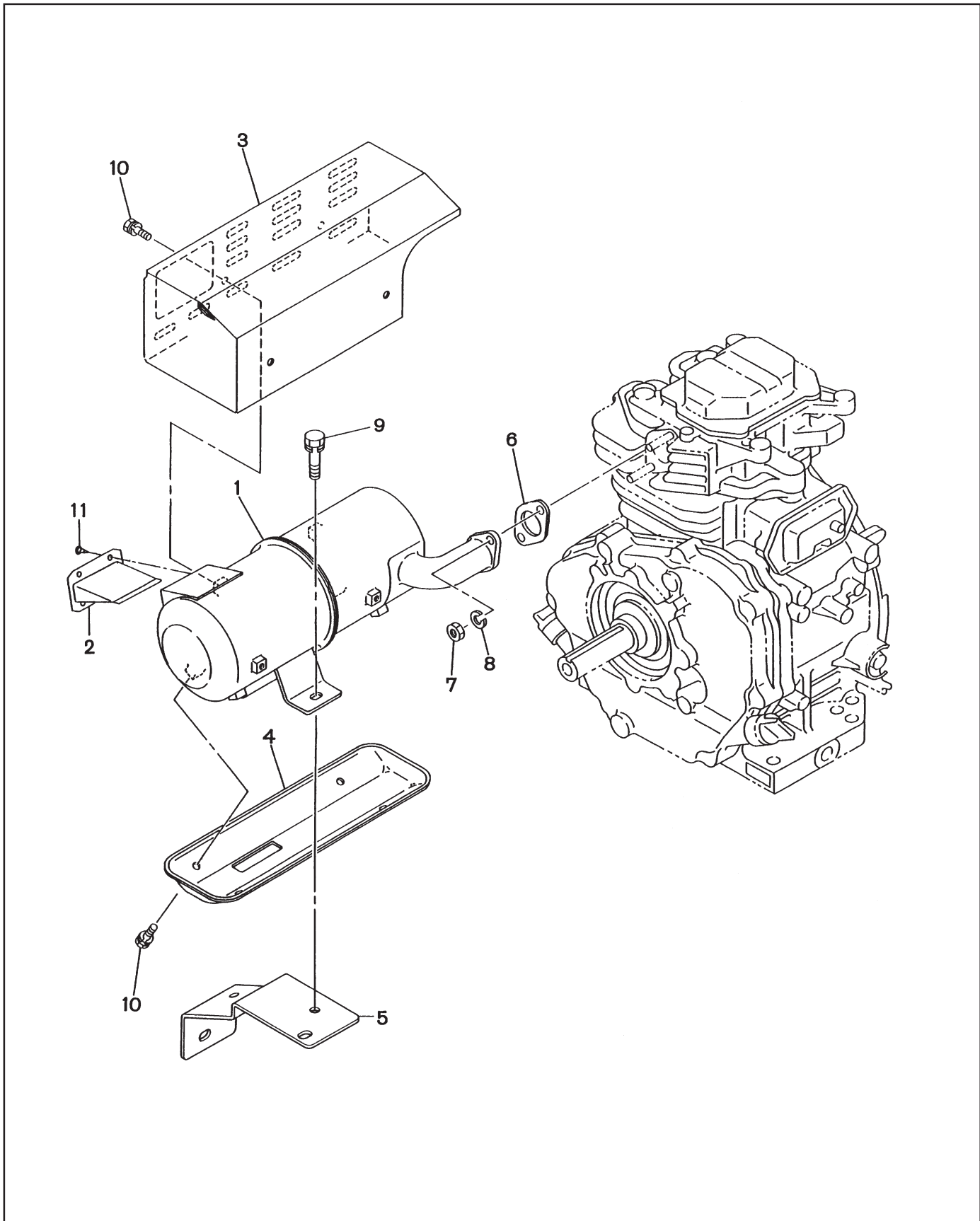


FIG. 7 CRANKCASE - RGV6100/6101

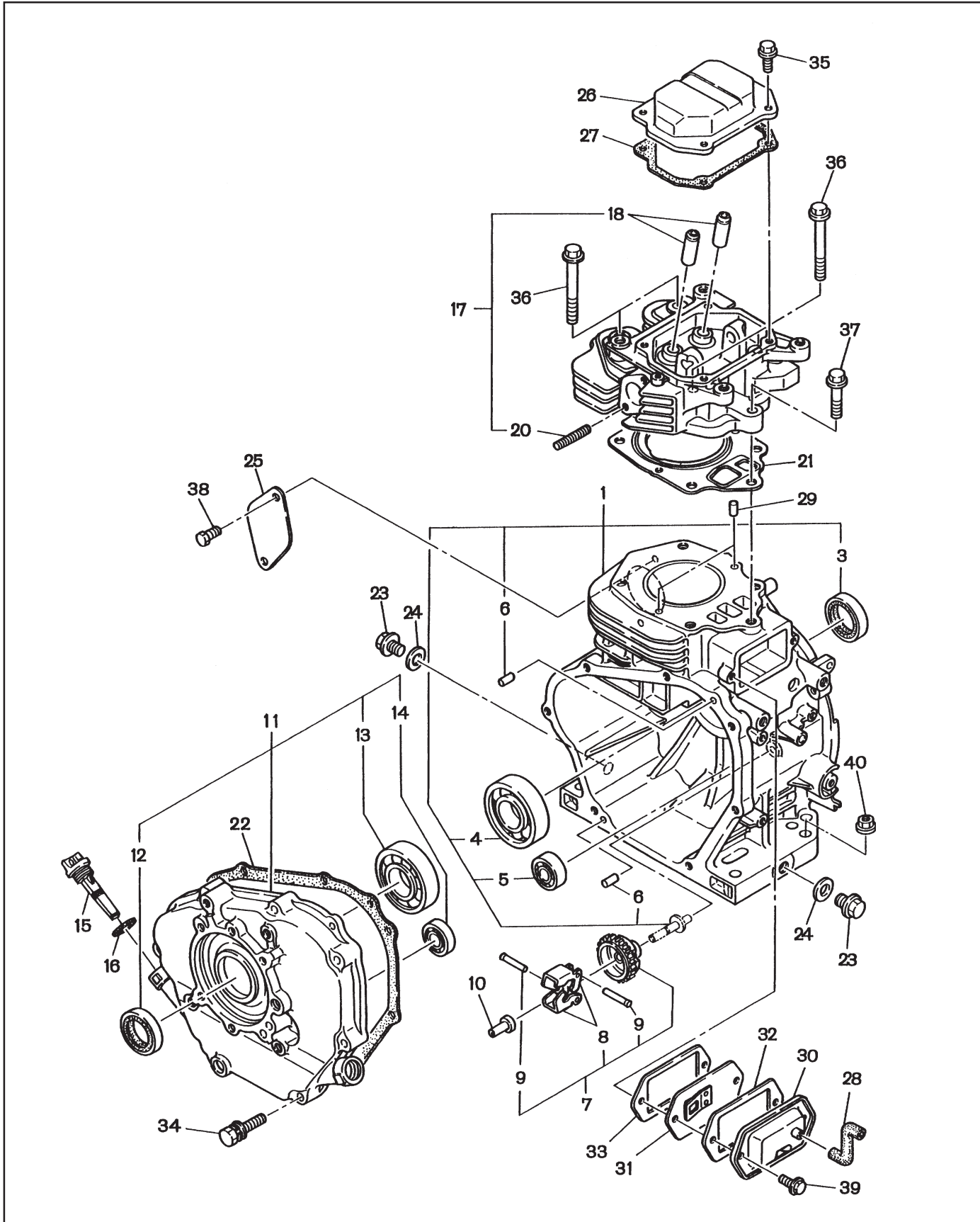


FIG. 7 CRANKCASE - RGV6100/6101

REF	PART NUMBER	DESCRIPTION	QTY	REMARKS
*1	247-10102-21	CRANKCASE, compl.	1	Includes items 3 thru 6
3	044-03500-90	OIL SEAL (ø35 x ø48 x 8mm)	1	
4	060-03500-10	BALL BEARING (BB6207C3)	1	
5	060-01500-10	BALL BEARING (BB6202C3)	1	
6	031-00600-20	DOWEL PIN	2	
*7	246-45001-01	GOVERNOR GEAR, compl.	1	Includes items 8 and 9
10	205-41901-03	GOVERNOR SLEEVE	1	
*11	246-11001-41	MAIN BEARING COVER, compl.	1	Includes items 12 thru 14
12	044-03500-90	OIL SEAL (ø35 x ø48 x 8mm)	1	
13	060-03500-10	BALL BEARING (BB6207C3)	1	
14	060-01500-10	BALL BEARING (BB620203)	1	
15	224-63601-03	OIL GAUGE	1	
16	021-32000-10	GASKET	1	
*17	247-13101-11	CYLINDER HEAD, compl.	1	Includes items 18 and 20
18	246-14202-03	VALVE GUIDE (over size)	2	
20	010-50802-90	STUD	2	
21	247-15001-13	GASKET (head)	1	
22	246-15101-03	GASKET (bearing cover)	1	
23	040-11400-30	PLUG	2	
24	021-11400-20	GASKET	2	
25	224-17101-03	BLIND COVER	1	For Recoil starter type
26	246-15501-01	ROCKER COVER, compl.	1	
27	246-16002-03	GASKET (rocker cover)	1	
28	246-10801-03	RUBBER PIPE (ø11 x ø8)	1	
29	031-00600-20	DOWEL PIN	2	
30	246-14301-01	BREATHER COVER, compl.	1	
31	246-14401-01	BREATHER PLATE, compl.	1	
32	246-16006-03	GASKET (breather cover)	1	
33	246-16007-03	GASKET (breather plate)	1	
34	001-13084-00	BOLT and WASHER ASS'Y	7	
35	011-00600-20	FLANGE BOLT	4	
36	011-01000-40	FLANGE BOLT	4	
37	011-01000-20	FLANGE BOLT	1	
38	001-65081-20	BOLT	2	For Recoil starter type
39	011-00600-30	FLANGE BOLT	2	
40	002-38080-00	FLANGE NUT	2	
*	247-99001-07	GASKET SET (STD.)	1	

FIG. 8 CRANKSHAFT and PISTON - RGV6100/6101

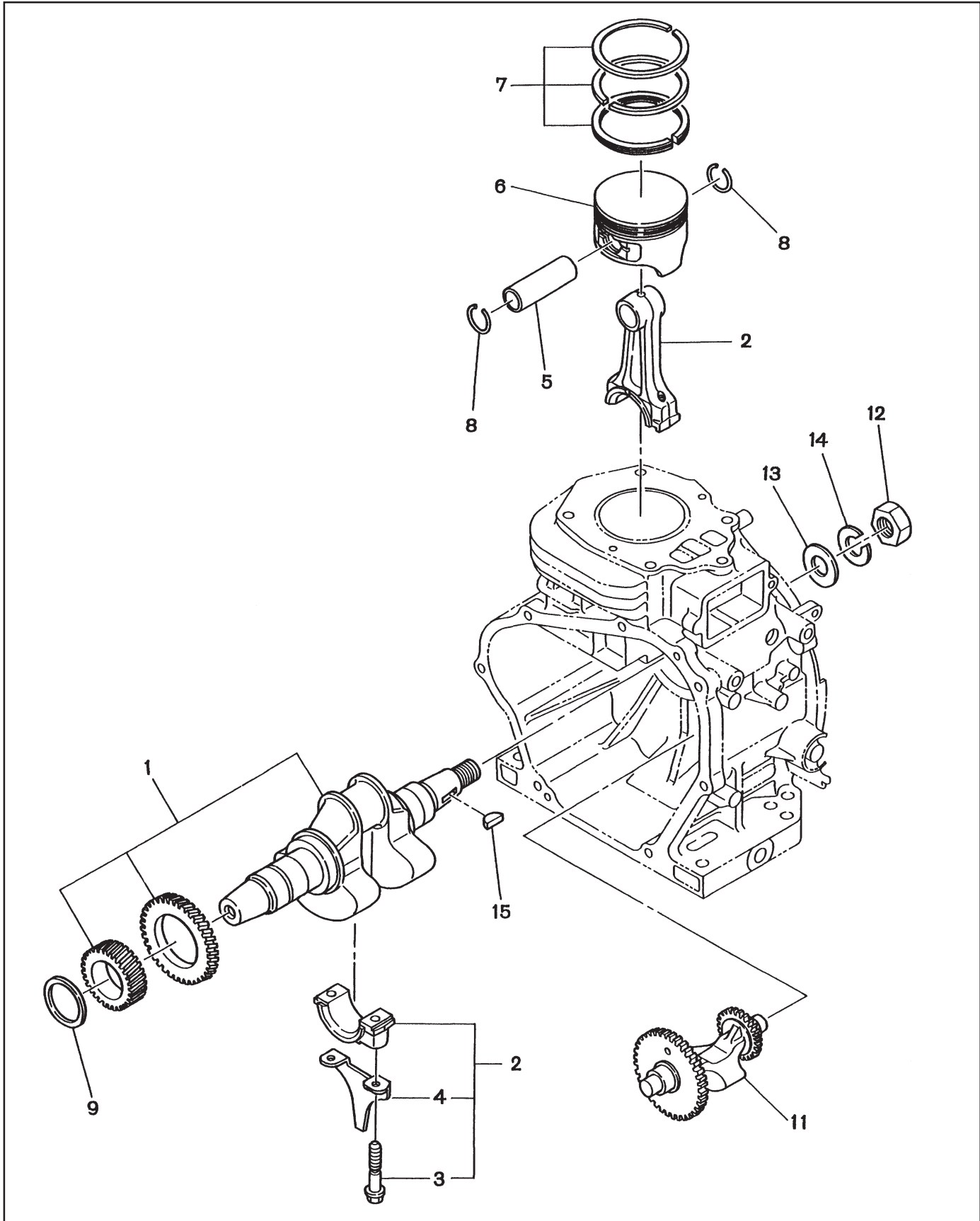


FIG. 8 CRANKSHAFT and PISTON - RGV6100/6101

REF	PART NUMBER	DESCRIPTION	QTY	REMARKS
1	246-20701-01	CRANKSHAFT, compl.	1	
*2	246-22501-00	CONNECTING ROD ASS ^Y	1	Includes items 3 and 4
3	246-23001-03	CONNECTING ROD BOLT	2	
4	246-23101-13	OIL SCRAPER	1	
5	246-23301-03	PISTON PIN	1	
6	247-23401-13	PISTON (For STD)	1	
6	247-23402-13	PISTON (over size 0.25mm)	1	
6	247-23403-13	PISTON (over size 0.50mm)	1	
7	247-23501-17	PISTON RING SET (For STD)	1	
7	247-23502-17	PISTON RING SET (over size 0.25mm)	1	
7	247-23503-17	PISTON RING SET (over size 0.50mm)	1	
8	056-52100-20	CLIP	2	
9	023-03501-60	SPACER (t=0.6)	1	select one piece only
9	023-03501-70	SPACER (t=0.8)	1	select one piece only
9	023-03501-80	SPACER (t=1.0)	1	select one piece only
11	246-24102-23	BALANCER SHAFT	1	
12	002-18180-00	NUT	1	
13	003-10180-00	WASHER	1	
14	003-20180-00	SPRING WASHER	1	
15	005-32054-01	WOODRUFF KEY	1	

FIG. 9 INTAKE and EXHAUST - RGV6100/6101

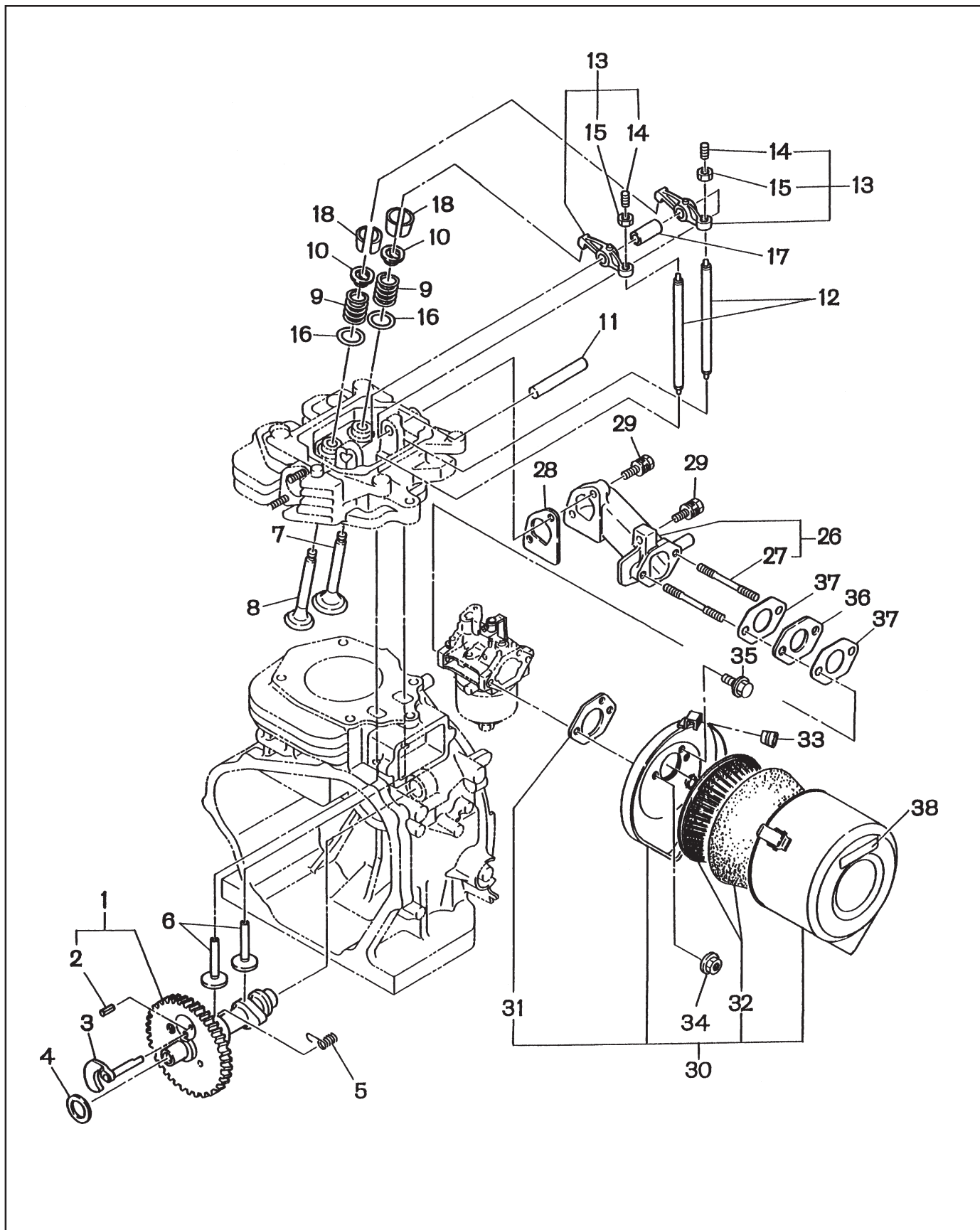


FIG. 9 INTAKE and EXHAUST - RGV6100/6101

REF	PART NUMBER	DESCRIPTION	QTY	REMARKS
*1	246-31701-01	CAMSHAFT, compl.	1	Includes item 2
2	005-19041-00	SPRING PIN	1	
3	246-36201-11	RELEASE LEVER, compl.	1	
4	023-02200-50	spacer (t=0.6)	1	select one piece only
4	023-02200-60	spacer (t=0.7)	1	select one piece only
4	023-02200-70	spacer (t=0.8)	1	select one piece only
5	246-36701-03	RETURN SPRING	1	
6	246-33301-03	TAPPET	2	
7	246-33411-03	INTAKE VALVE	1	
8	246-33511-03	EXHAUST VALVE	1	
9	246-33611-03	VALVE SPRING	2	
10	246-33711-03	SPRING RETAINER	2	
11	239-35001-03	ROCKER SHAFT	1	
12	246-35301-11	PUSH ROD, compl.	2	
*13	246-36101-10	ROCKER ARM ASS'Y	2	Includes items 14 and 15
14	014-90800-21	ADJUSTING SCREW	2	
15	017-00800-90	NUT	2	
16	020-02000-10	WASHER	2	
17	246-36120-13	SPACER (rocker shaft)	1	
18	246-35501-03	COLLET-VALVE	4	
*26	246-33001-01	INTAKE PIPE, compl.	1	Includes item 27
27	010-50602-30	STUD	2	
28	246-36001-13	GASKET (intake pipe)	1	
29	001-13082-80	BOLT and WASHER ASS'Y	3	
*30	254-32612-10	AIR CLEANER ASS'Y	1	Includes items 31 and 32
31	234-36003-08	PACKING	1	
32	234-32604-07	ELEMENT SET	1	
33	207-32690-08	GROMMET	1	
34	002-38060-00	FLANGE NUT	2	
35	001-10061-20	BOLT and WASHER ASS'Y	1	
36	246-32901-03	INSULATOR	1	
37	234-35902-03	GASKET 2 (insulator)	2	
38	254-95302-13	LABEL (cleaner ID)	1	

FIG. 10 GOVERNOR, OPERATION - RGV6100/6101

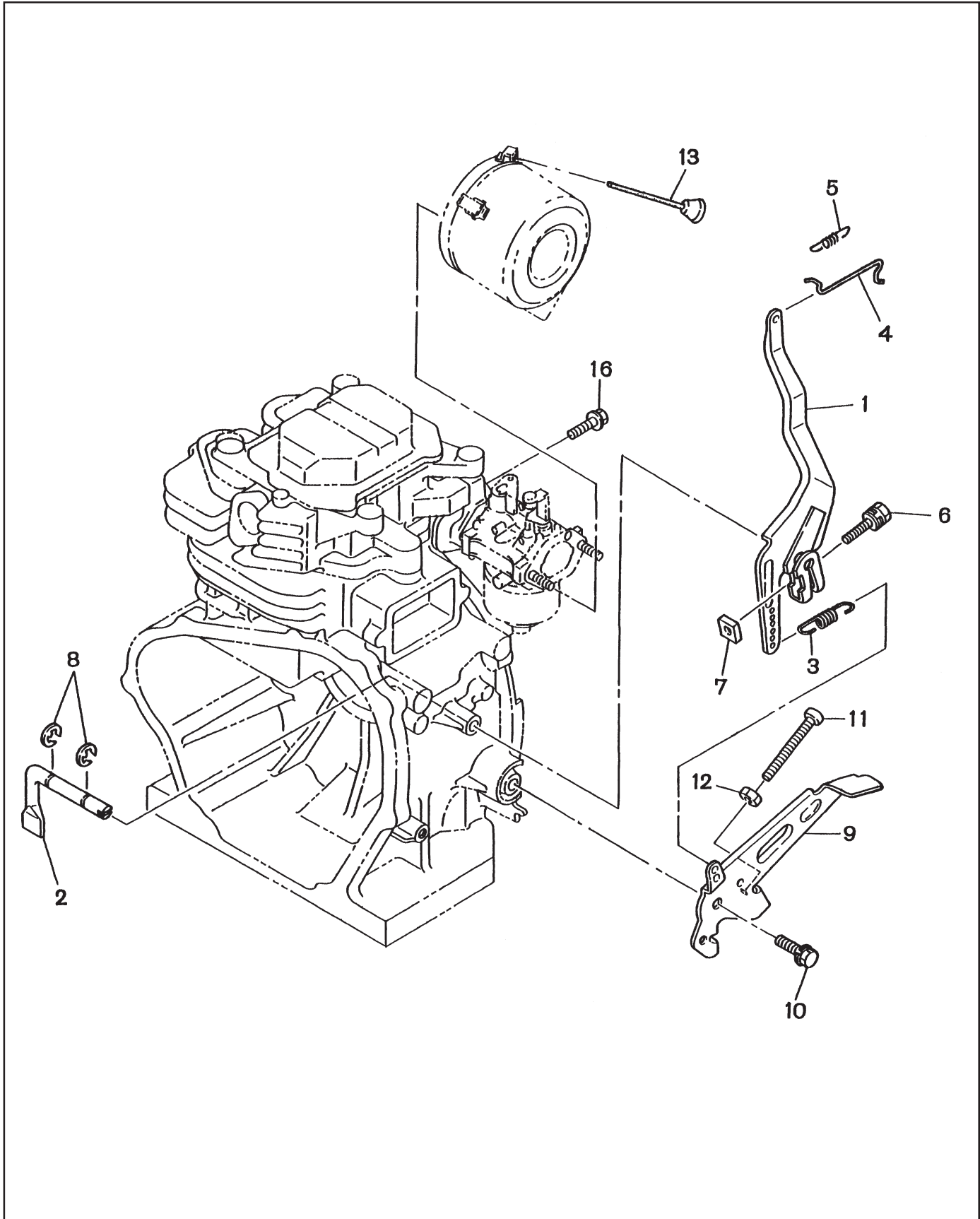


FIG. 10 GOVERNOR, OPERATION - RGV6100/6101

REF	PART NUMBER	DESCRIPTION	QTY	REMARKS
1	246-42304-01	GOVERNOR LEVER, compl.	1	
2	246-42201-23	GOVERNOR SHAFT	1	
3	246-42501-23	GOVERNOR SPRING	1	
4	234-42703-01	GOVERNOR ROD	1	
5	246-42801-13	ROD SPRING	1	
6	001-14062-50	BOLT and WASHER ASS'Y	1	
7	018-60600-20	NUT	1	
8	003-13060-00	CLIP	2	
9	246-43301-13	SPEED CONTROL, compl.	1	
10	001-10081-60	BOLT and WASHER ASS'Y	1	
11	004-31053-50	SCREW (pan head)	1	
12	002-17050-00	NUT	1	
13	246-45006-01	KNOB, compl.	1	
16	011-00600-10	FLANGE BOLT	1	For Electric starter type

FIG. 11 COOLING and STARTING - RGV6100/6101

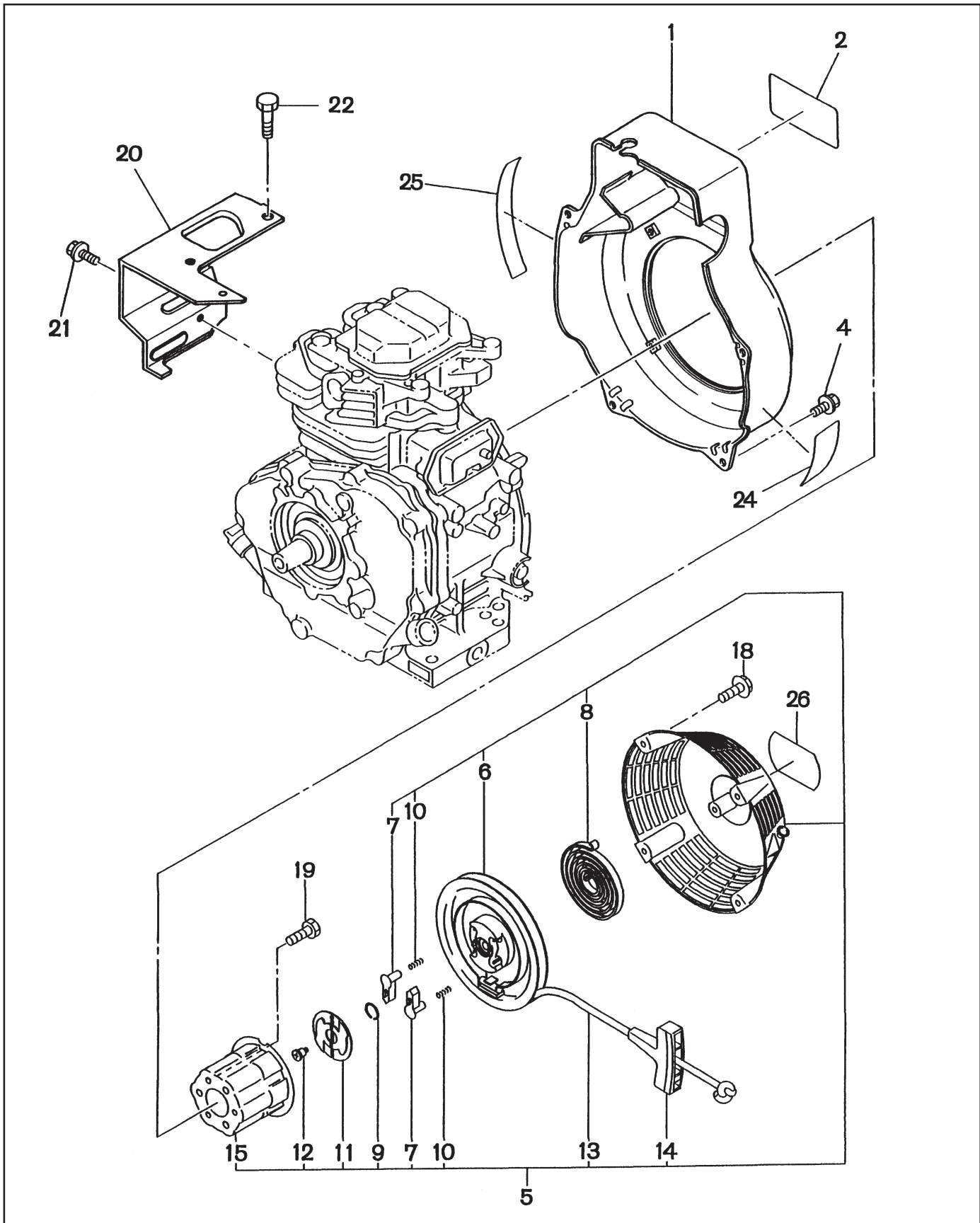


FIG. 11 COOLING and STARTING - RGV6100/6101

REF	PART NUMBER	DESCRIPTION	QTY	REMARKS
1	246-51210-11	BLOWER HOUSING, compl.	1	
2	247-91705-03	LABEL (TRADE MARK)	1	
4	011-00600-10	FLANGE BOLT	4	
*5	246-50201-20	RECOIL STARTER ASS'Y	1	Includes items 6 thru 15
6	246-50120-08	REEL	1	
7	246-50125-08	RATCHET	2	
8	261-50115-08	SPIRAL SPRING	1	
9	246-50130-08	FRICTION SPRING	1	
10	227-50135-08	RETURN SPRING	2	
11	246-50160-08	RATCHET GUIDE	1	
12	227-50152-08	SET SCREW	1	
13	235-50110-08	STARTER ROPE	1	RGV6100
13	226-50113-08	STATER ROPE	1	RGV6101
14	236-50101-08	STARTER KNOB	1	RGV6100
14	261-50100-08	STARTER KNOB	1	RGV6101
15	246-50147-08	STARTER PULLEY	1	
18	011-00600-10	FLANGE BOLT	4	
19	001-65081-20	BOLT	3	
20	246-52706-03	CYLINDER BAFFLE	1	
21	011-00600-10	FLANGE BOLT	2	
22	001-65101-60	BOLT	2	
24	073-20039-00	LABEL (warning)	1	
25	247-95201-13	LABEL (emission control)	1	RGV6100
25	247-95201-23	LABEL (emission control)	1	RGV6101
26	073-20049-50	LABEL (OHV MARK)	1	

FIG. 12 CARBURETOR - RGV6100/6101

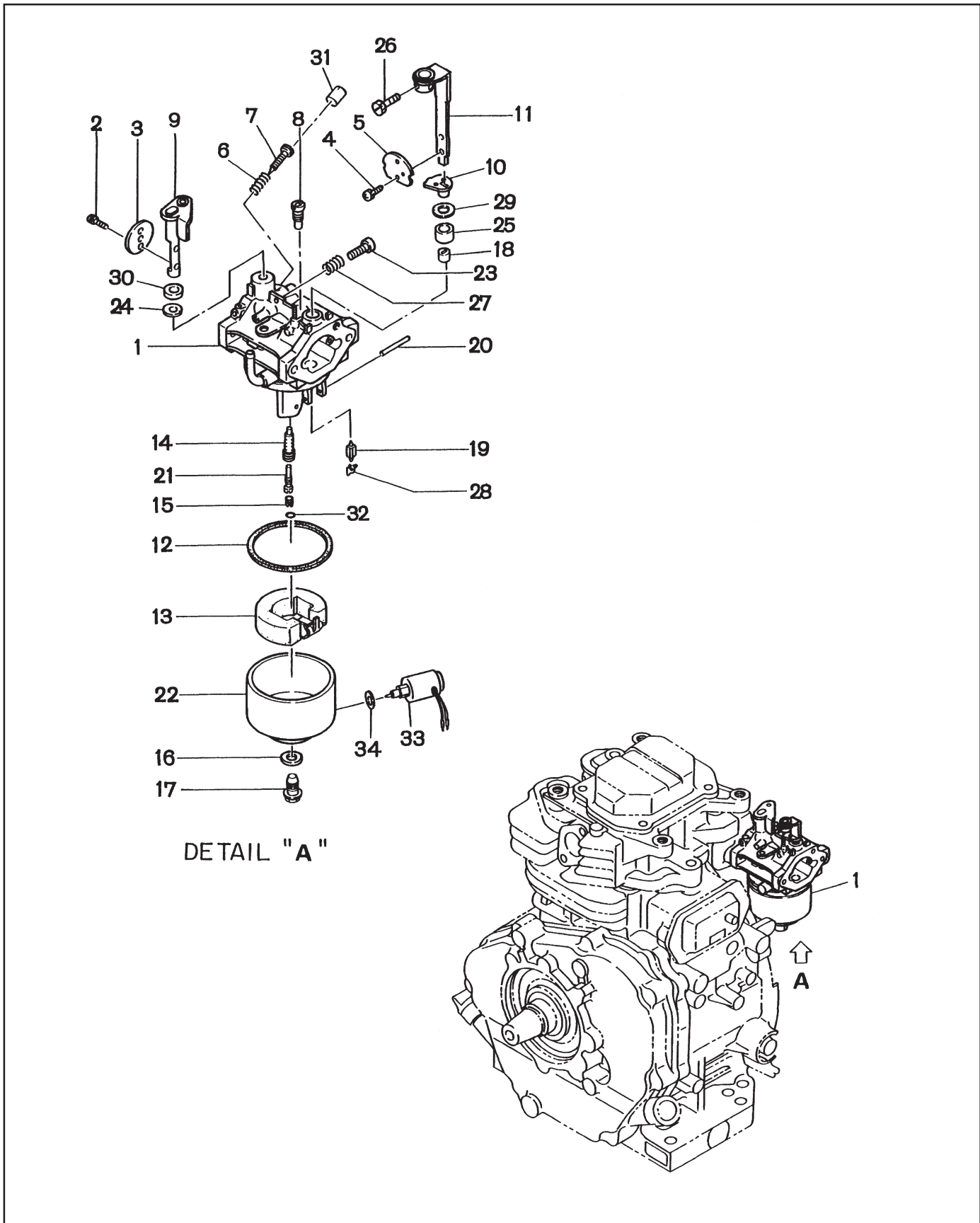


FIG. 12 CARBURETOR - RGV6100/6101

REF	PART NUMBER	DESCRIPTION	QTY	REMARKS
*1	247-62325-00	CARBURETOR ASS'Y	1	Inc. items 1 thru 34 RGV6100
*1	247-62325-10	CARBURETOR ASS'Y	1	Inc. items 1 thru 43 RGV6101
2	209-62351-08	SCREW	2	
3	213-62535-08	THROTTLE VALVE (#180)	1	
4	237-62451-08	SCREW	2	
5	234-62525-08	CHOKE VALVE	1	
6	209-62445-08	SPRING	1	
7	246-62436-08	PILOT SCREW	1	
8	247-62420-08	PILOT JET (#42.5)	1	
9	246-62531-08	THROTTLE SHAFT ASS'Y	1	
10	239-62560-08	RING (choke)	1	
11	234-62521-08	CHOKE LEVER ASS'Y	1	
12	206-62540-08	CHAMBER PACKING	1	
13	234-62506-08	FLOAT ASS'Y	1	
14	246-62441-08	MAIN NOZZLE	1	
15	246-62403-08	MAIN JET (#95)	1	
16	248-62451-08	WASHER	1	
17	248-62425-08	JET HOLDER	1	
18	226-62550-08	RING	1	RGV6100
19	224-62312-18	RING	1	RGV6101
19	224-62312-18	NEEDLE ASS'Y	1	
20	214-62515-08	PIN	1	
21	246-62425-08	GUIDE HOLDER	1	
22	247-62556-08	FLOAT CHAMBER BODY	1	
23	246-62435-08	SCREW	1	
24	106-62392-08	SEAL	1	
25	247-62550-08	CAP	1	
26	246-62455-08	BOLT	1	
27	209-62445-08	SPRING (adjuster)	1	
28	224-62569-08	CLIP	1	RGV6100
28	224-62569-18	CLIP	1	RGV6101
29	236-62680-08	SEAL	1	
30	156-62351-08	PACKING	1	
31	246-62551-08	CAP	1	
32	242-62313-08	O RING	1	
33	247-62561-08	SOLENOID ASS'Y	1	
34	247-62565-08	WASHER	1	

FIG. 13A MAGNETO for RECOIL STARTER TYPE - RGV6100/6101

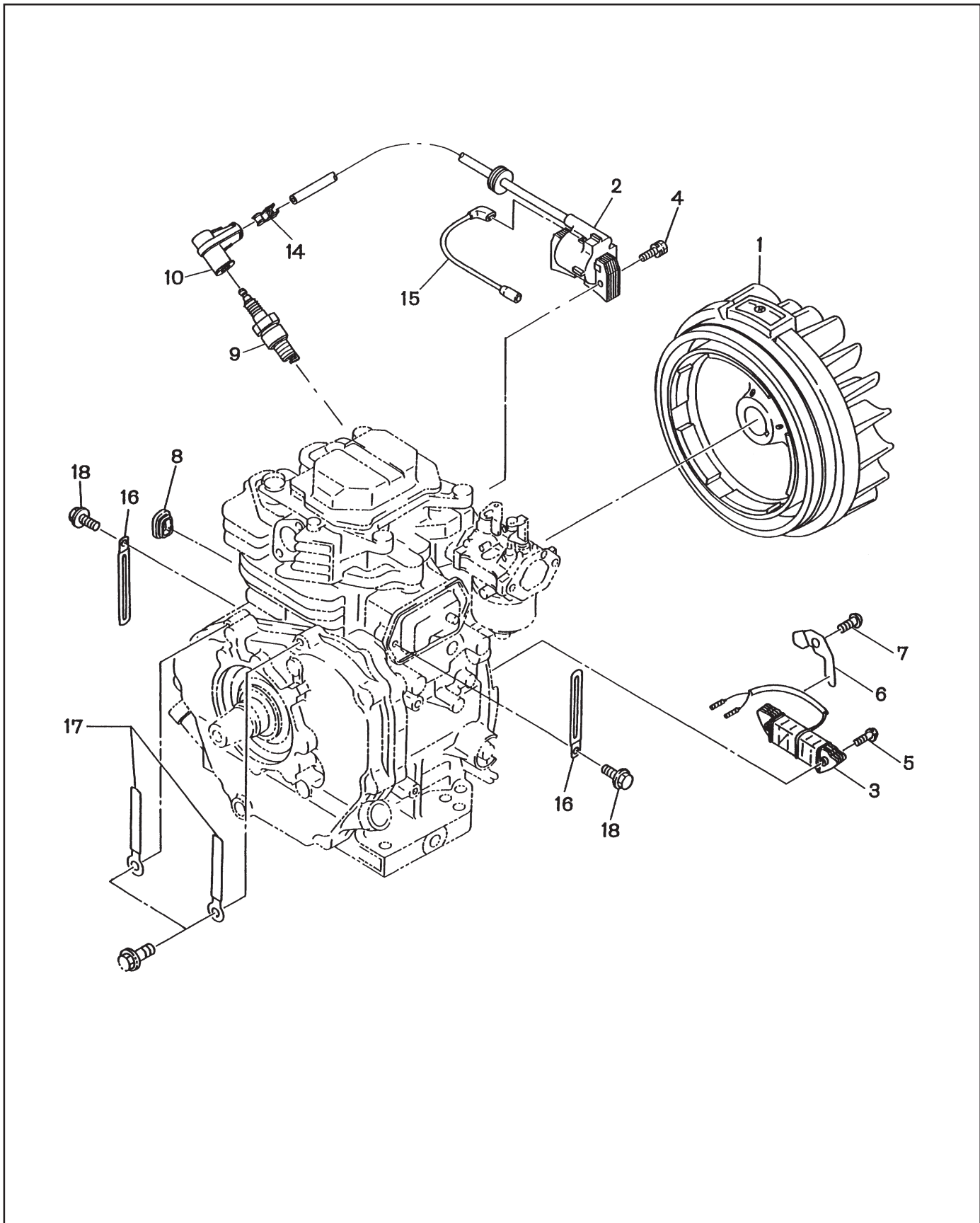


FIG. 13A MAGNETO for RECOIL STARTER TYPE - RGV6100/6101

REF	PART NUMBER	DESCRIPTION	QTY	REMARKS
1	246-77204-01	FLYWHEEL, compl.	1	
2	246-78201-21	IGNITION COIL, compl.	1	
3	246-79201-01	CHARGE COIL, compl.	1	
4	001-14063-00	BOLT and WASHER ASS'Y	2	
5	004-35062-00	SCREW and WASHER ASS'Y	2	
6	246-75502-01	CLAMP, compl.	1	
7	004-31060-80	SCREW (pan head)	1	
8	226-75501-03	GROMMET	1	
9	065-01405-80	SPARK PLUG (BR-6ES)	1	
10	065-50001-40	SPARK PLUG CAP	1	
14	065-90000-10	PLUG TERMINAL	1	
15	246-73101-01	WIRE 1, compl.	1	
16	056-60002-50	CLAMP	2	
17	056-60002-60	CLAMP	2	
18	011-00600-10	FLANGE BOLT	2	

FIG. 13B MAGNETO for ELECTRIC STARTER TYPE - RGV6100/6101

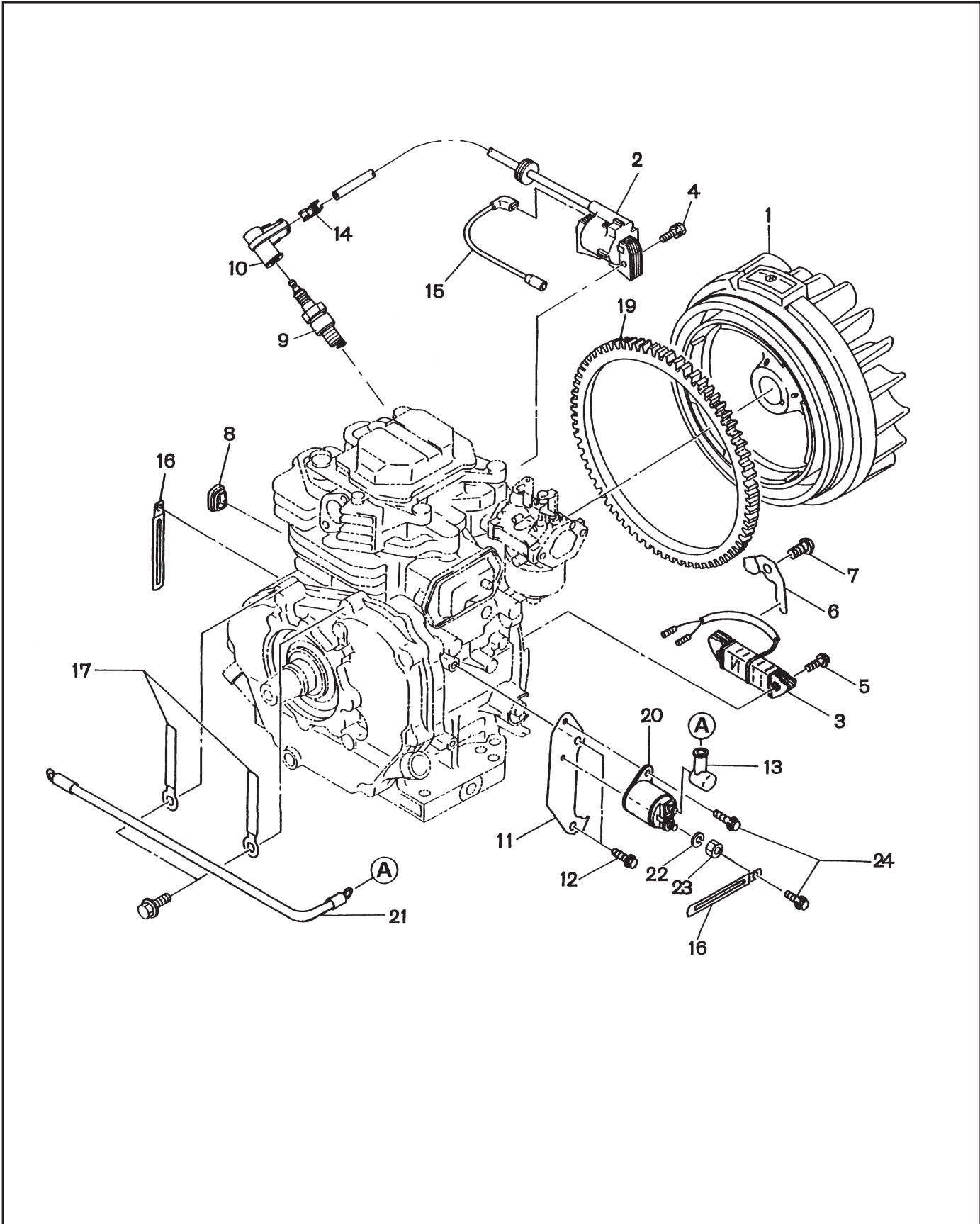


FIG. 13B MAGNETO for ELECTRIC STARTER TYPE - RGV6100/6101

REF	PART NUMBER	DESCRIPTION	QTY	REMARKS
1	246-77204-01	FLYWHEEL, compl.	1	
2	246-78201-21	IGNITION COIL, compl.	1	
3	246-79201-01	CHARGE COIL, compl.	1	
4	001-14063-00	BOLT and WASHER ASS'Y	2	
5	004-35062-00	SCREW and WASHER ASS'Y	2	
6	246-75502-01	CLAMP, compl.	1	
7	004-31060-80	SCREW (pan head)	1	
8	226-75501-03	GROMMET	1	
9	065-01405-80	SPARK PLUG (BR-6ES)	1	
10	065-50001-40	SPARK PLUG CAP	1	
11	246-76008-13	BRACKET	1	
12	011-00600-10	FLANGE BOLT	2	
13	214-78501-03	WIRE CASING	1	
14	065-90000-10	PLUG TERMINAL	1	
15	246-73101-01	WIRE 1, compl.	1	
16	056-60002-50	CLAMP	3	
17	056-60002-60	CLAMP	2	
19	246-71002-03	RING GEAR	1	
20	066-10000-10	MAGNETIC SWITCH	1	
21	246-73113-01	WIRE 13, compl.	1	
22	003-20060-00	SPRING WASHER	2	
23	002-27060-00	NUT	2	
24	001-16051-00	BOLT and WASHER ASS'Y	2	

FIG. 14 STARTING MOTOR - RGV6100/6101

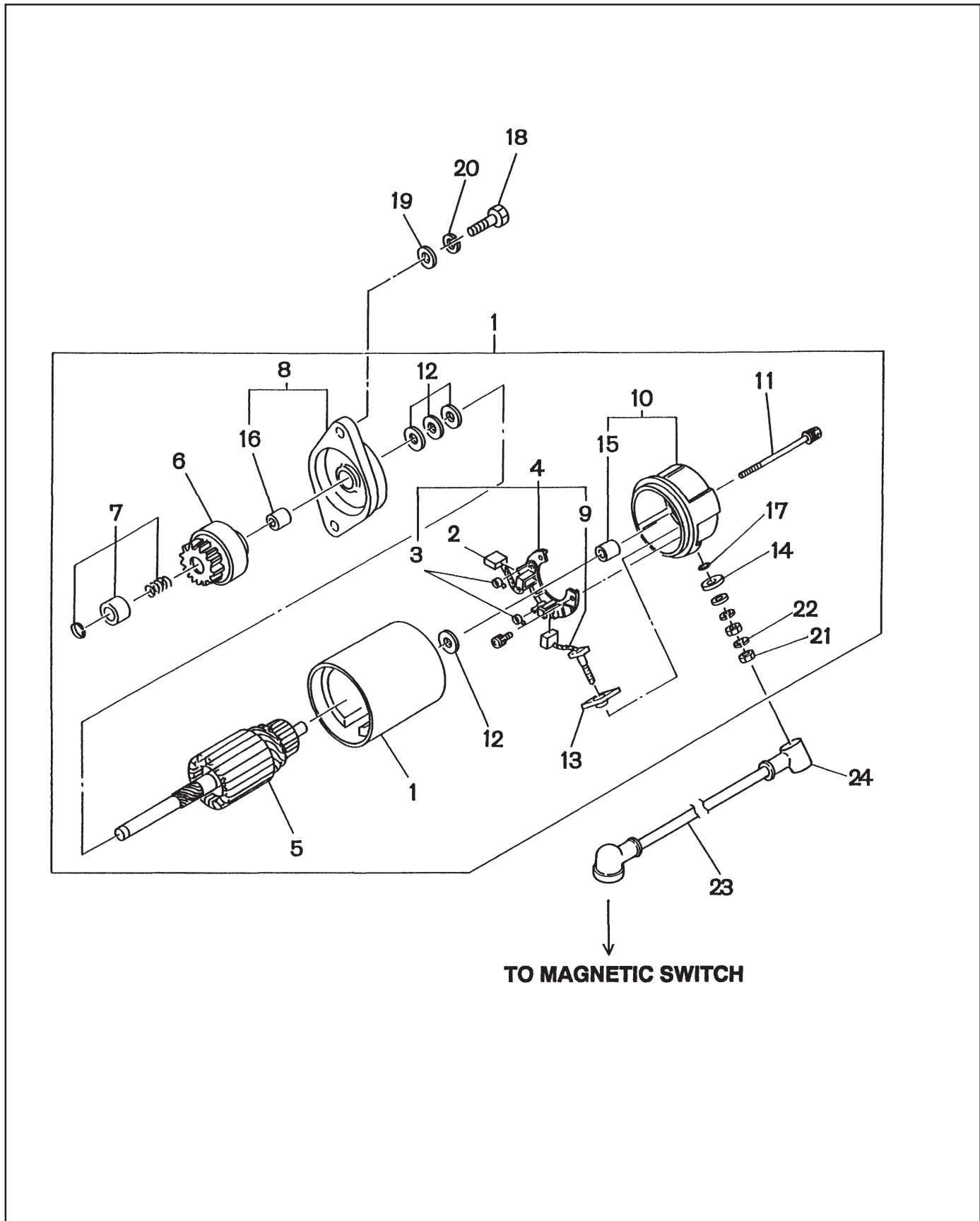


FIG. 14 STARTING MOTOR - RGV6100/6101

REF	PART NUMBER	DESCRIPTION	QTY	REMARKS
*1	246-70501-00	STARTING MOTOR ASS'Y	1	Includes items 1 thru 17
1	235-70560-08	YOKE ASS'Y	1	
2	235-70535-08	BRUSH (+)	1	
3	235-70545-08	SPRING (brush)	2	
*4	235-70530-08	HOLDER ASS'Y (brush)	1	Includes items 3 and 9
5	235-70550-08	ARMATURE ASS'Y	1	
6	246-70521-08	PINION ASS'Y	1	
7	246-70571-08	STOPPER SET PINION	1	
*8	246-70500-08	FRONT COVER ASS'Y	1	Includes item 16
9	235-70540-08	BRUSH (-)	1	
*10	246-70505-08	REAR COVER ASS'Y	1	Includes item 15
11	235-70575-08	THROUGH BOLT	2	
12	235-70555-08	WASHER KIT	1	
13	235-70565-08	M BUSH (1)	1	
14	235-70566-08	M BUSH (2)	1	
15	113-70510-08	REAR METAL	1	
16	214-70560-08	FRONT METAL	1	
17	246-70580-08	ORING	1	
18	214-79007-01	BOLT, compl. (starter)	2	
19	003-10080-00	WASHER	2	
20	003-20080-00	SPRING WASHER	2	
21	002-27060-00	NUT	1	
22	003-20060-00	SPRING WASHER	1	
23	390-54455-08	BATTERY CORD (+)	1	
24	214-78501-03	WIRE CASING	1	

FIG.15 SOLENOID - RGV6100/6101

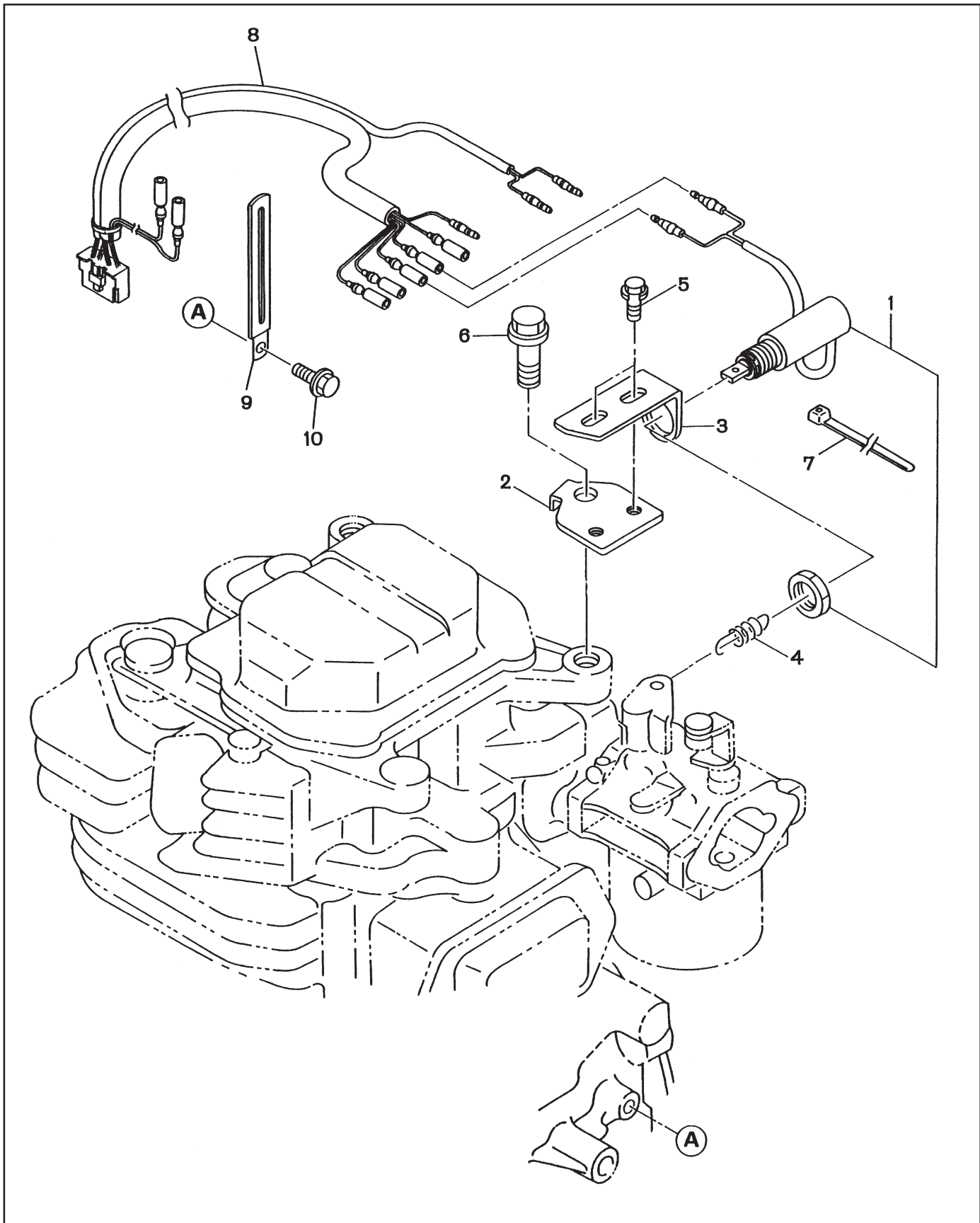
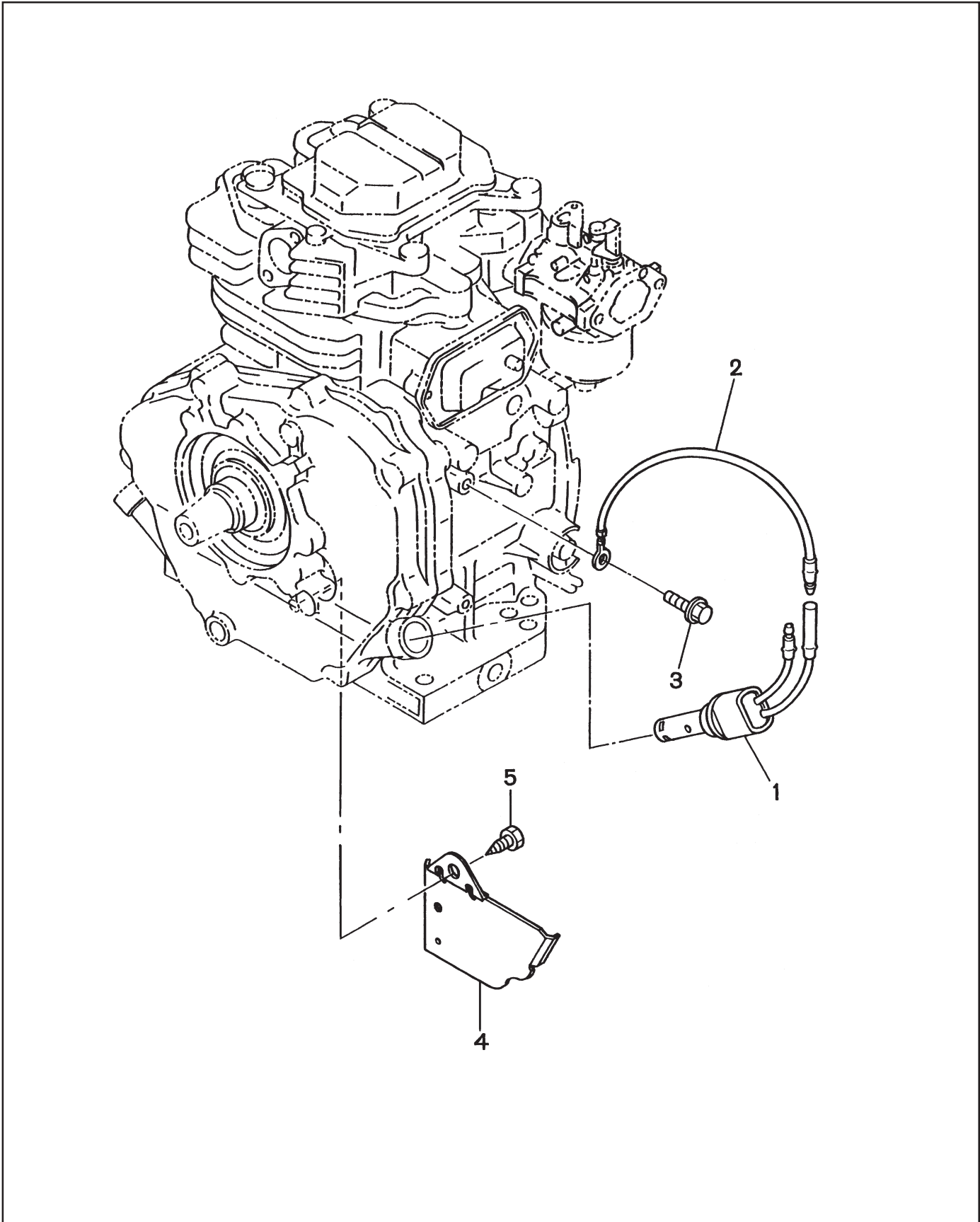


FIG. 16 OIL SENSOR - RGV6100/6101



PRINTED IN THE USA