

# **PARTS MANUAL**

**Models**

**RGV4100/4101  
Generators**

PUB-GP1200A  
Rev. 12/99



# GROUP INDEX

Group Name	Page
GENERATOR GROUP .....	4
FRAME for RECOIL STARTER TYPE-RGV4100 .....	8
FRAME for ELECTRIC STARTER TYPRGV4100 .....	10
FRAME for RECOIL STARTER TYPE-RGV4101 .....	12
FRAME for ELECTRIC STARTER TYPE-RGV4101 .....	14
CONTROL BOX .....	16
CONTROL PANEL for 60Hz-120V .....	20
FUEL TANK .....	22
MUFFLER .....	24
CRANKCASE .....	26
CRANKSHAFT and PISTON .....	28
INTAKE and EXHAUST .....	30
GOVERNOR OPERATION .....	32
COOLING and STARTING .....	34
CARBURETOR .....	36
MAGNETO for RECOIL STARTER TYPE .....	38
MAGNETO for ELECTRIC STARTER TYPE .....	40
STARTING MOTOR .....	42
SOLENOID .....	44
OIL SENSOR .....	46

## **Robin America, Inc.**

940 Lively Blvd. • Wood Dale, IL 60191 • Phone: 630-350-8200 • Fax: 630-350-8212  
e-mail: [sales@robinamerica.com](mailto:sales@robinamerica.com) • [www.robinamerica.com](http://www.robinamerica.com)

© Copyright 1999 Robin America, Inc.

FIG. 1A GENERATOR GROUP - RGV4100

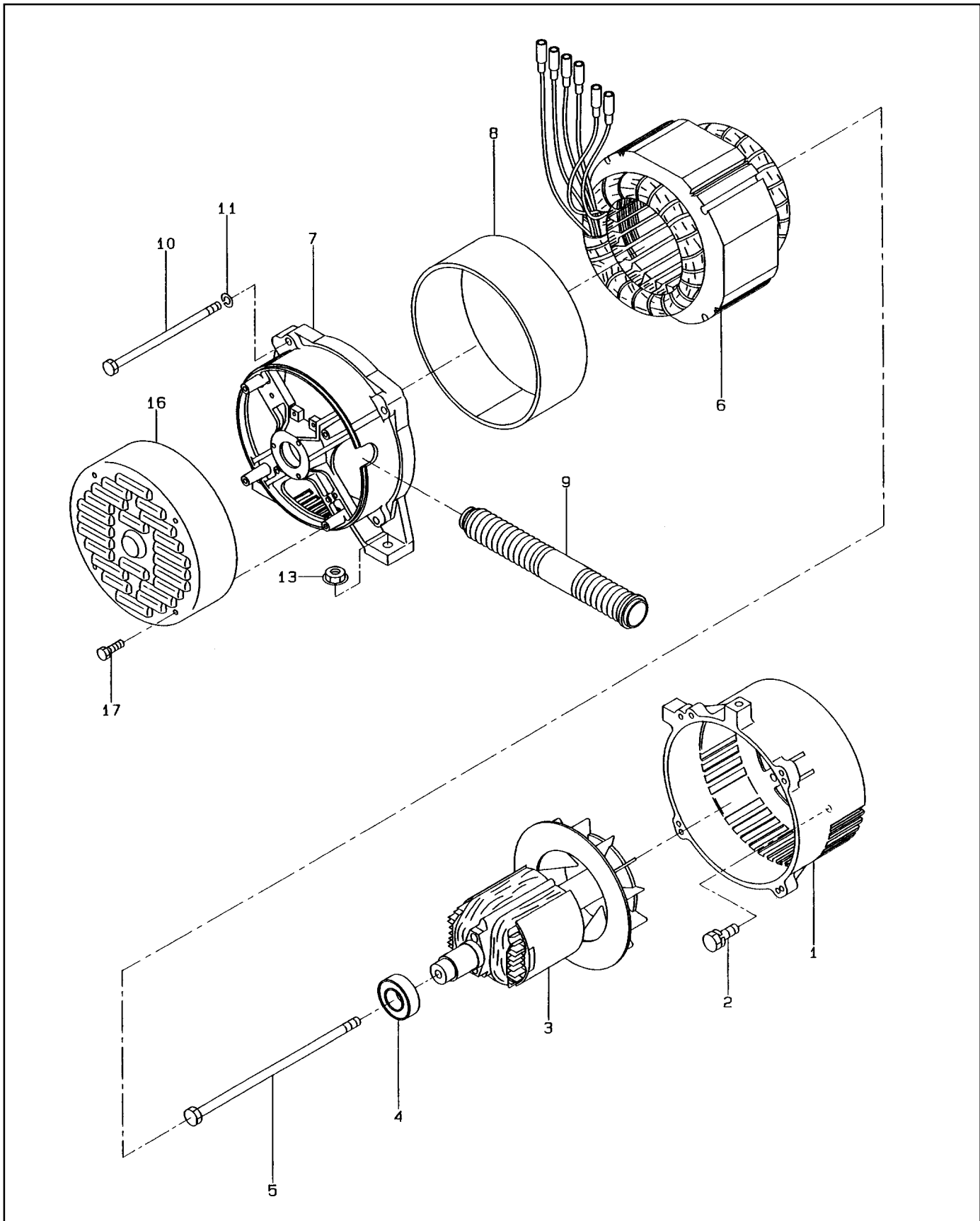




FIG. 1B

GENERATOR GROUP - RGV4101

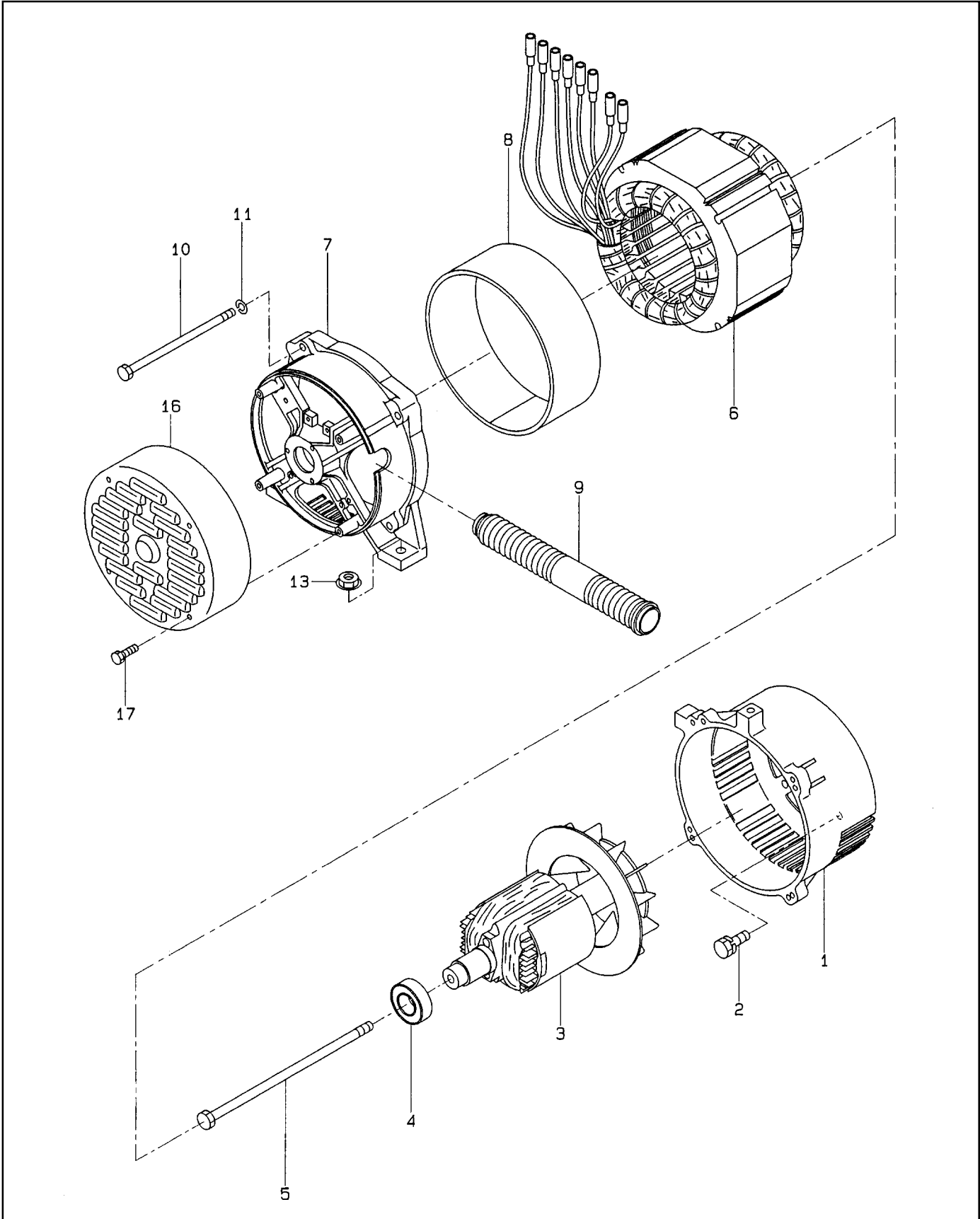
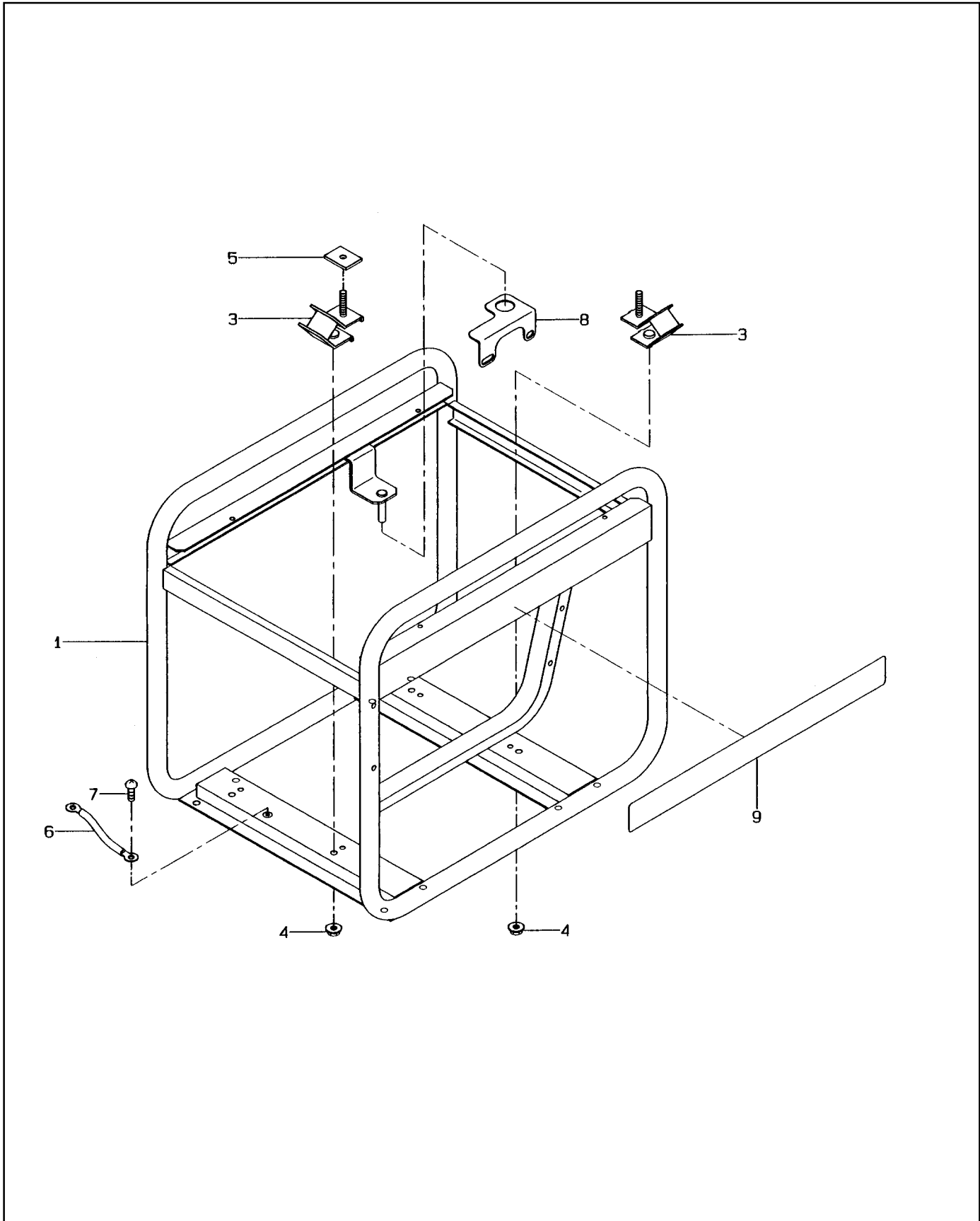




FIG. 2A FRAME for RECOIL STARTER TYPE - RGV4100





**FIG. 2A FRAME for RECOIL STARTER TYPE - RGV4100**

REF	PART NUMBER	DESCRIPTION	QTY	REMARKS
1	31C-61116-01	PIPE FRAME, compl.	1	
3	377-37001-11	RUBBER MOUNT UNIT	4	
4	002-38080-00	FLANGE NUT	4	
5	31C-69001-01	SPACER	2	
6	30A-82201-03	EARTH CORD	1	
7	392-49987-08	SCREW and WASHER ASS'Y	1	M5 x 8mm
8	31B-69101 -01	STOPPER PLATE	1	
9	31C-83107-13	SIDE PLATE LABEL	11	

FIG. 2B FRAME for ELECTRIC STARTER TYPE - RGV4100

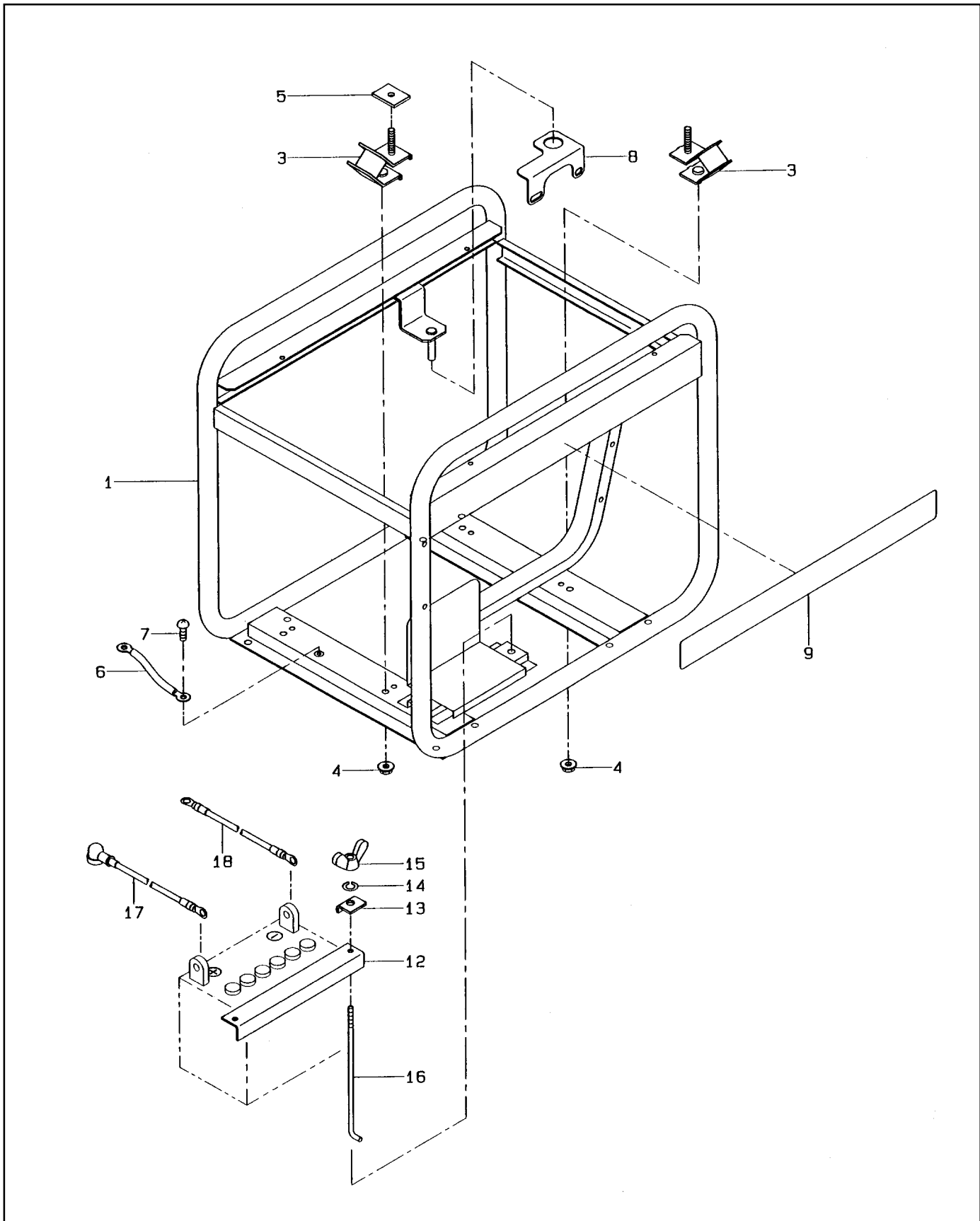




FIG. 3A FRAME for RECOIL STARTER TYPE - RGV4101

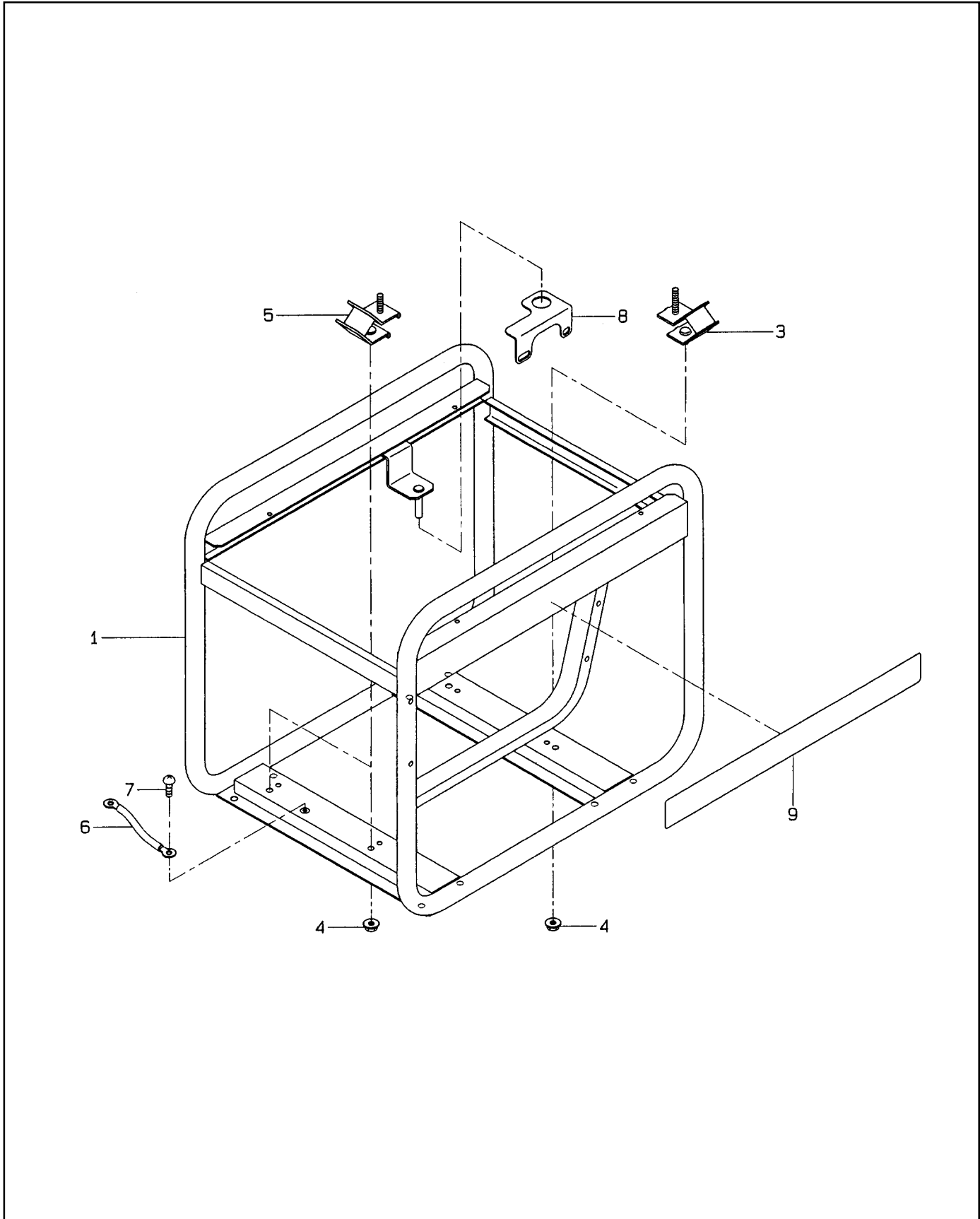
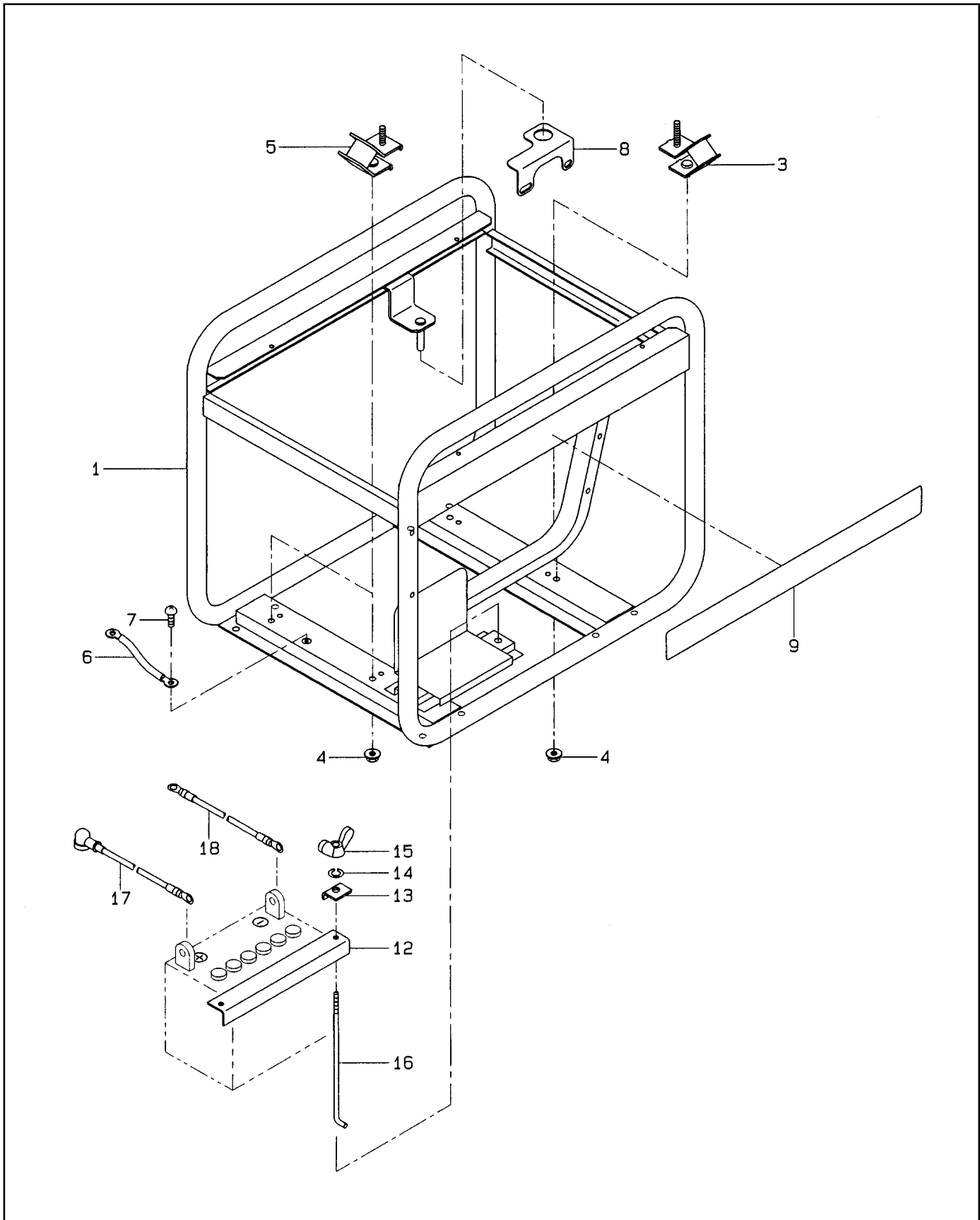




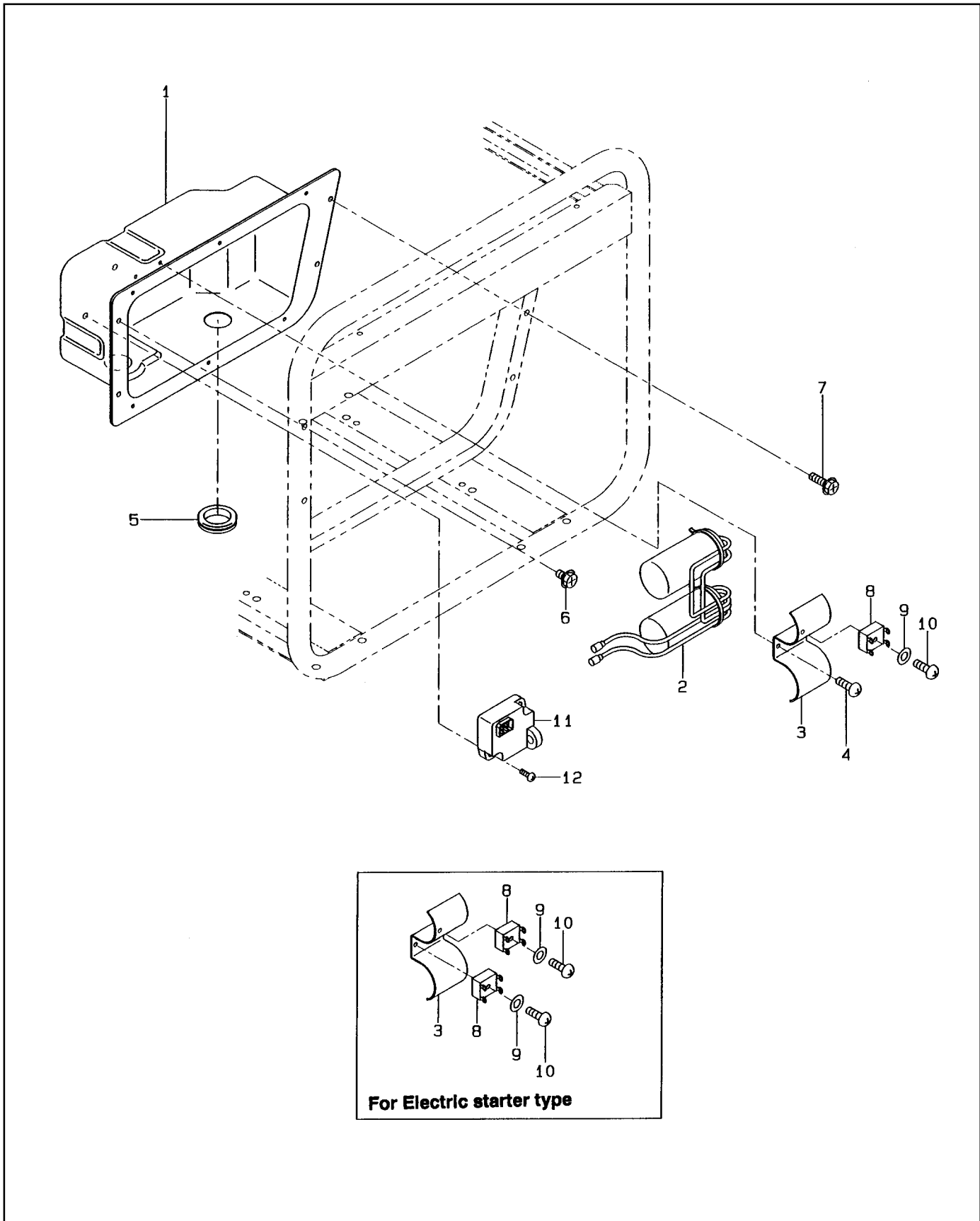
FIG. 3B FRAME for ELECTRIC STARTER TYPE - RGV4101



**FIG. 3B FRAME for ELECTRIC STARTER TYPE - RGV4101**

<b>REF</b>	<b>PART NUMBER</b>	<b>DESCRIPTION</b>	<b>QTY</b>	<b>REMARKS</b>
1	31C-61117-01	PIPE FRAME, compl.	1	
3	377-37001-11	RUBBER MOUNT UNIT	2	Engine side
4	002-38080-00	FLANGE NUT	4	
5	31C-65001-01	RUBBER MOUNT UNIT	2	Generator side
6	30A-82201-03	EARTH CORD	1	
7	392-49987-08	SCREW and WASHER ASS'Y	1	M5x8mm
8	31B-39101-13	STOPPER PLATE	1	
9	31C-93203-03	LABEL (TRADE MARK)	1	
12	385-54382-08	BATTERY RETAINER	1	
13	385-54416-08	BATTERY SUPPORT	2	
14	003-20060-00	SPRING WASHER	2	
15	31C-69004-03	WING NUT	2	
16	353-59921-08	BATTERY BOLT	2	
17	31C-69002-03	BATTERY CORD (+)	1	
18	31C-69003-03	BATTERY CORD (-)	1	

FIG. 4A CONTROL BOX - RGV4100

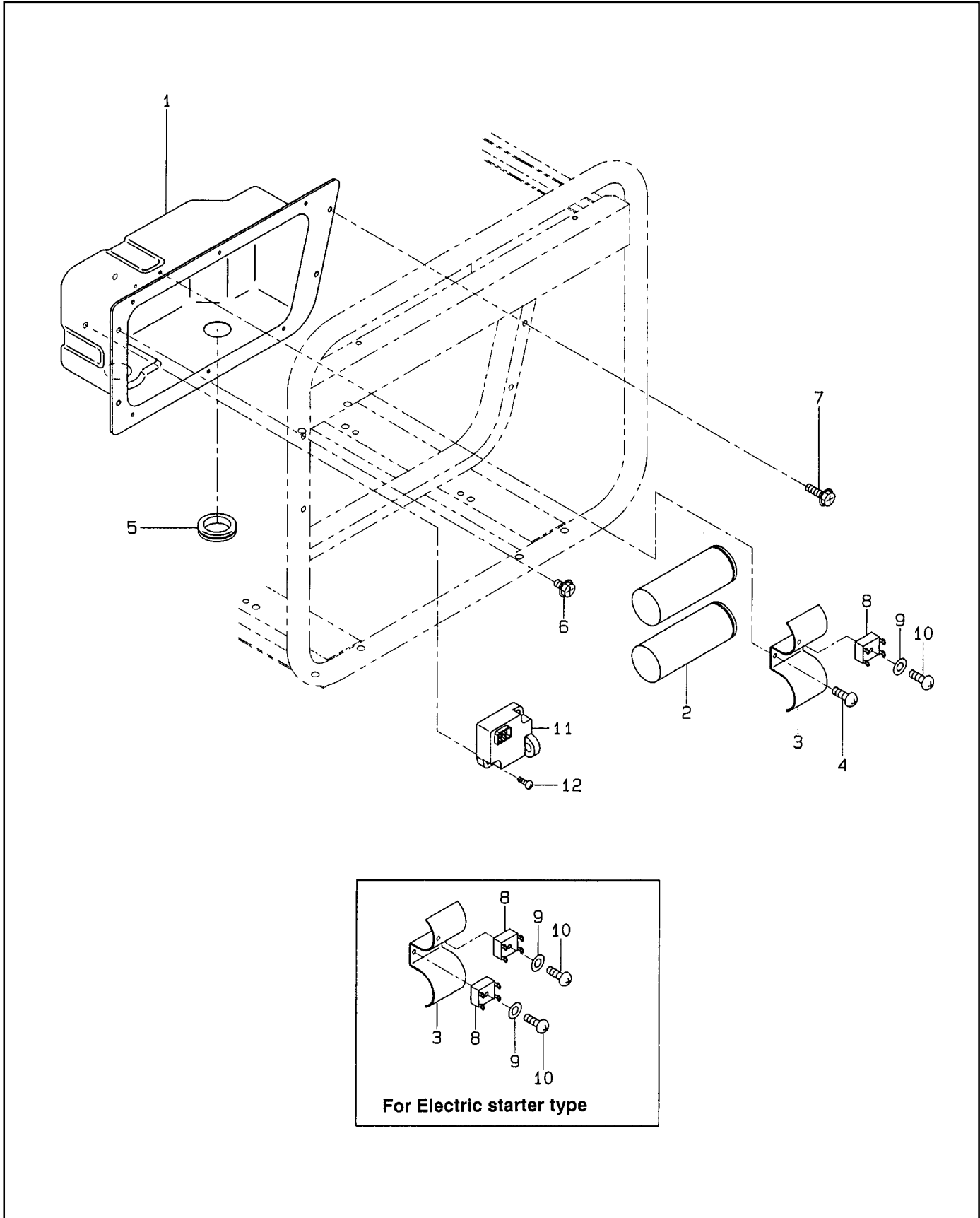




**FIG. 4A CONTROL BOX - RGV4100**

REF	PART NUMBER	DESCRIPTION	QTY	REMARKS
1	31B-42201-01	CONTROL BOX, compl.	1	
2	385-47541-08	CONDENSER, compl.	1	20+20µF
3	31C-75001-03	CONDENSER BRACKET	1	
4	353-49904-08	TAPPING SCREW	1	M4 x 10mm
5	389-89001-03	GROMMET	1	
6	31B-79012-03	BOLT and WASHER ASS'Y	2	M5 x 12mm
7	31B-79013-03	BOLT and WASHER ASS'Y	2	M5 x 25mm
8	353-45804-08	DIODE STACK	1	For Recoil starter type
8	353-45804-08	DIODE STACK	2	For Electric starter type
9	003-10040-00	WASHER	1	For Recoil starter type
9	003-10040-00	WASHER	2	For Electric starter type
10	31B-79001-03	TAPPING SCREW (M4 x 25mm)	1	For Recoil starter type
10	31B-79001-03	TAPPING SCREW (M4 x 25mm)	2	For Electric starter type
11	KU3-11015-01	IDLE CONTROL UNIT (150V)	1	150V
12	004-31062-00	SCREW	2	M6 x 20mm

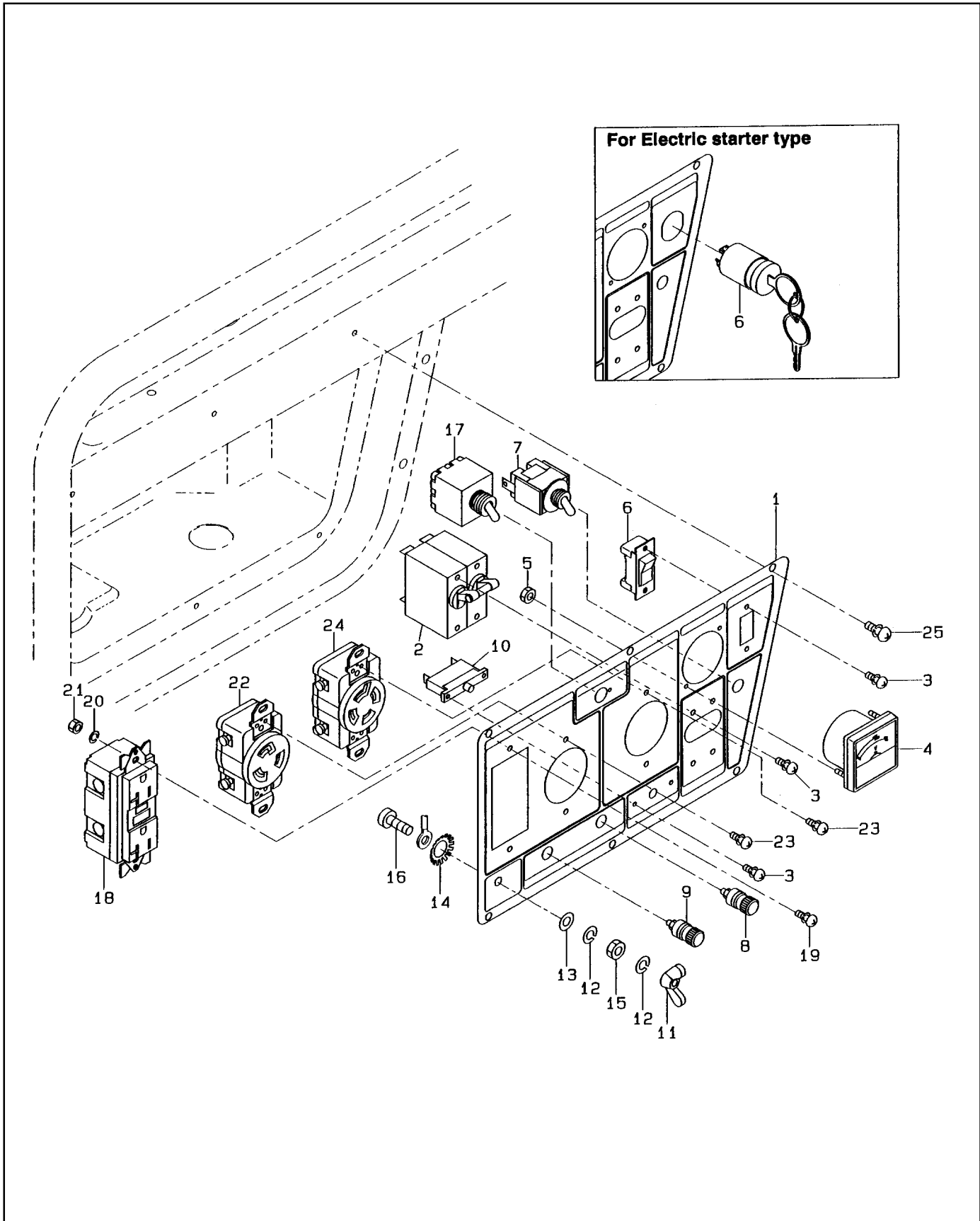
**FIG. 4B CONTROL BOX - RGV4101**



**FIG. 4B CONTROL BOX - RGV4101**

REF	PART NUMBER	DESCRIPTION	QTY	REMARKS
1	31B-42201-01	CONTROL BOX, compl.	1	
2	31C-47001-01	CONDENSER, compl.	2	
3	31C-75001-03	CONDENSER BRACKET	1	
4	353-49904-08	TAPPING SCREW (M4x10mm)	1	
5	389-89001-03	GROMMET	1	
6	31B-79012-03	BOLT and WASHER ASS'Y (M5x12mm)	2	
7	31B-79013-03	BOLT and WASHER ASS'Y (M5x25mm)	2	
8	353-45804-08	DIODE STACK	1	For Recoil starter type
8	353-45804-08	DIODE STACK	2	For Electric starter type
9	003-10040-00	WASHER	1	For Recoil starter type
9	003-10040-00	WASHER	2	For Electric starter type
10	31B-79001-03	TAPPING SCREW (M4x25mm)	1	For Recoil starter type
10	31B-79001-03	TAPPING SCREW (M4x25mm)	2	For Electric starter type
11	KU3-11015-01	IDLE CONTROL UNIT (150V)	1	
12	004-31062-00	SCREW (M6x20mm)	2	

**FIG. 5 CONTROL PANEL for 60Hz-120V - RGV4100/4101**



**FIG. 5 CONTROL PANEL for 60Hz-120V - RGV4100/4101**

REF	PART NUMBER	DESCRIPTION	QTY	REMARKS
*1	31C-72069-00	CONTROL PANEL AY, 60Hz-120V, recoil start	1	Includes items 1 thru 24
*1	31C-72070-00	CONTROL PANEL AY, 60Hz-120V, elect. Start	1	Includes items 1 thru 24
1	31C-72036-01	PANEL A, compl.	1	For Recoil starter type
1	31C-72037-01	PANEL A, compl.	1	For Electric starter type
2	31C-73005-03	NO FUSE BREAKER	1	2P15A
3	31B-79011-03	SCREW and WASHER ASS'Y	6-8	M3 x 5mm
4	391-47900-11	AC VOLTMETER	1	
5	388-49801-08	NUT	2	M3
6	31B-77505-01	ENGINE SWITCH	1	For Recoil starter type
6	066-00003-30	KEY SWITCH	1	For Electric starter type
7	344-45615-08	TOGGLE SWITCH	1	
8	363-45701-08	TERMINAL BOLT	1	COLOR: RED
9	363-45700-08	TERMINAL BOLT	1	COLOR: BLACK
10	352-45620-08	CIRCUIT PROTECTOR	1	10A
11	353-49901-08	WING NUT	1	M5
12	332-00050-08	SPRING WASHER	2	
13	353-49903-08	WASHER	1	
14	372-59950-08	LOCK WASHER	1	
15	353-49902-08	NUT	1	
16	356-49907-08	SCREW	1	M5 x 15mm
17	355-45613-11	TOGGLE SWITCH	1	
18	31B-77506-01	AC RECEPTACLE	1	GFCI
19	004-35041-00	SCREW and WASHER ASS'Y	2	M4 x 10mm
20	003-10040-00	WASHER	2	M4
21	002-17040-00	NUT	2	M4
22	380-45749-08	RECEPTACLE	1	125V-30A
23	356-59937-08	SCREW	4	
24	353-45724-08	RECEPTACLE	1	
25	351-49919-08	TAPPING SCREW	6	M4 x 10mm

FIG. 6 FUEL TANK - RGV4100/4101

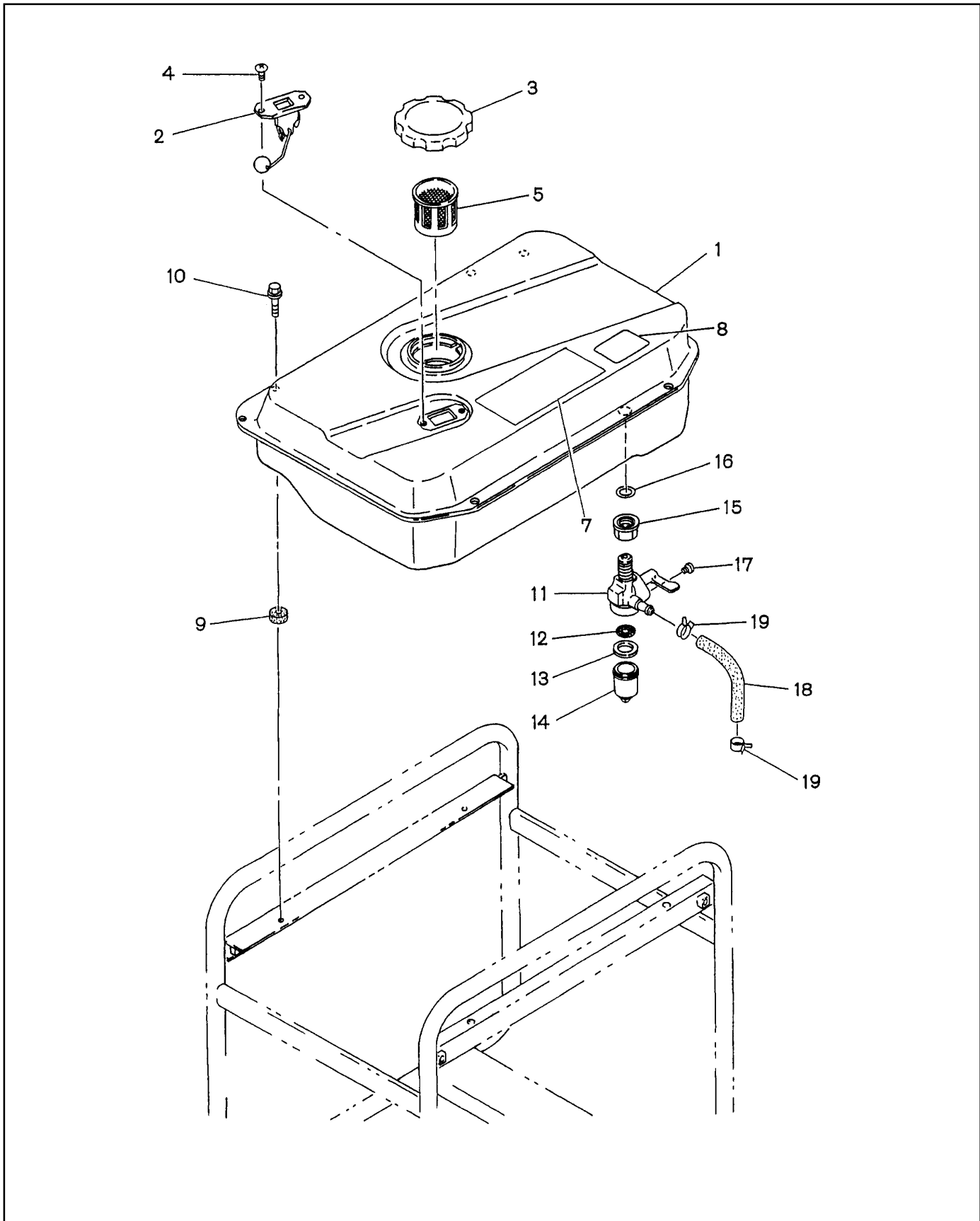




FIG. 7 MUFFLER - RGV4100/4101

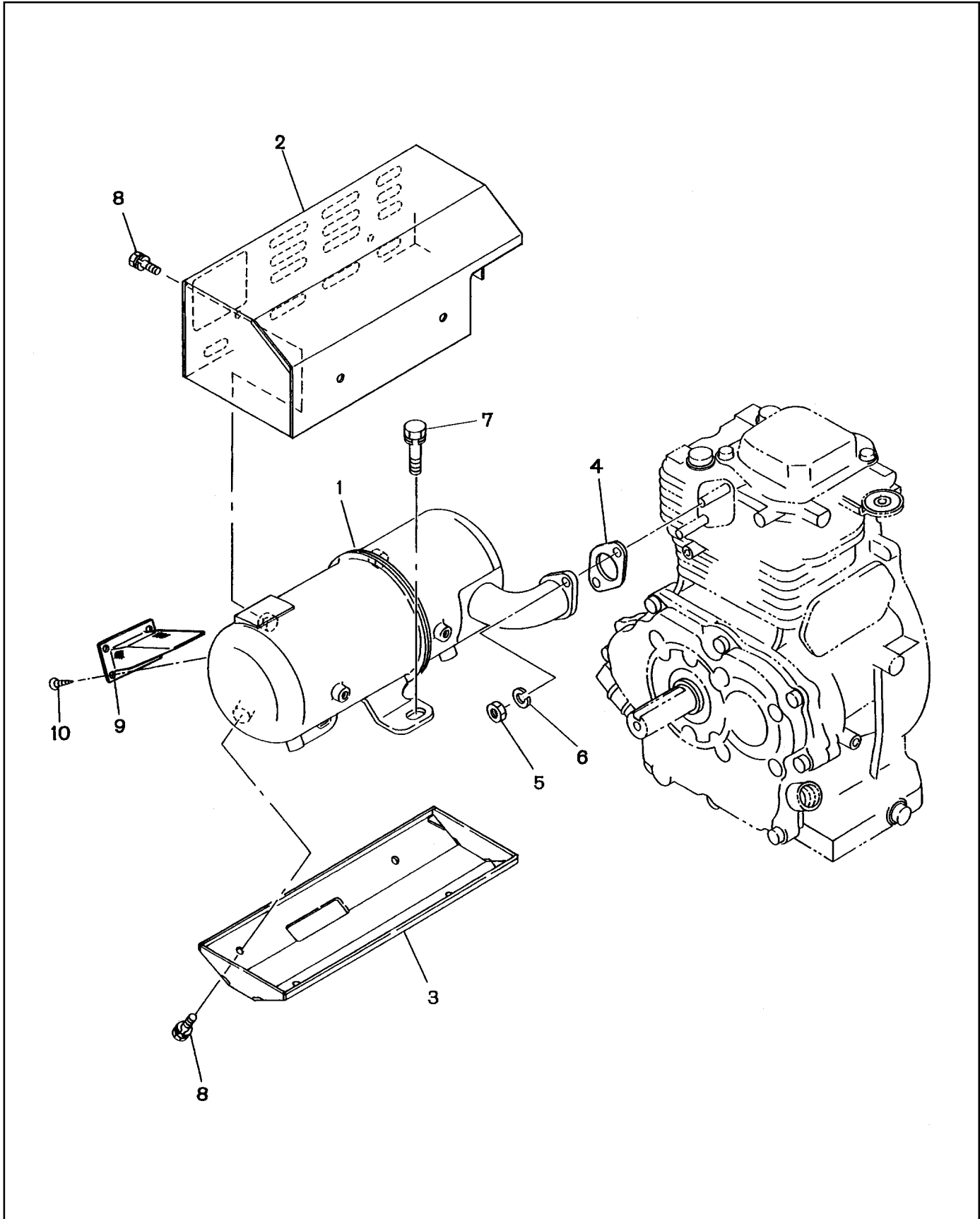
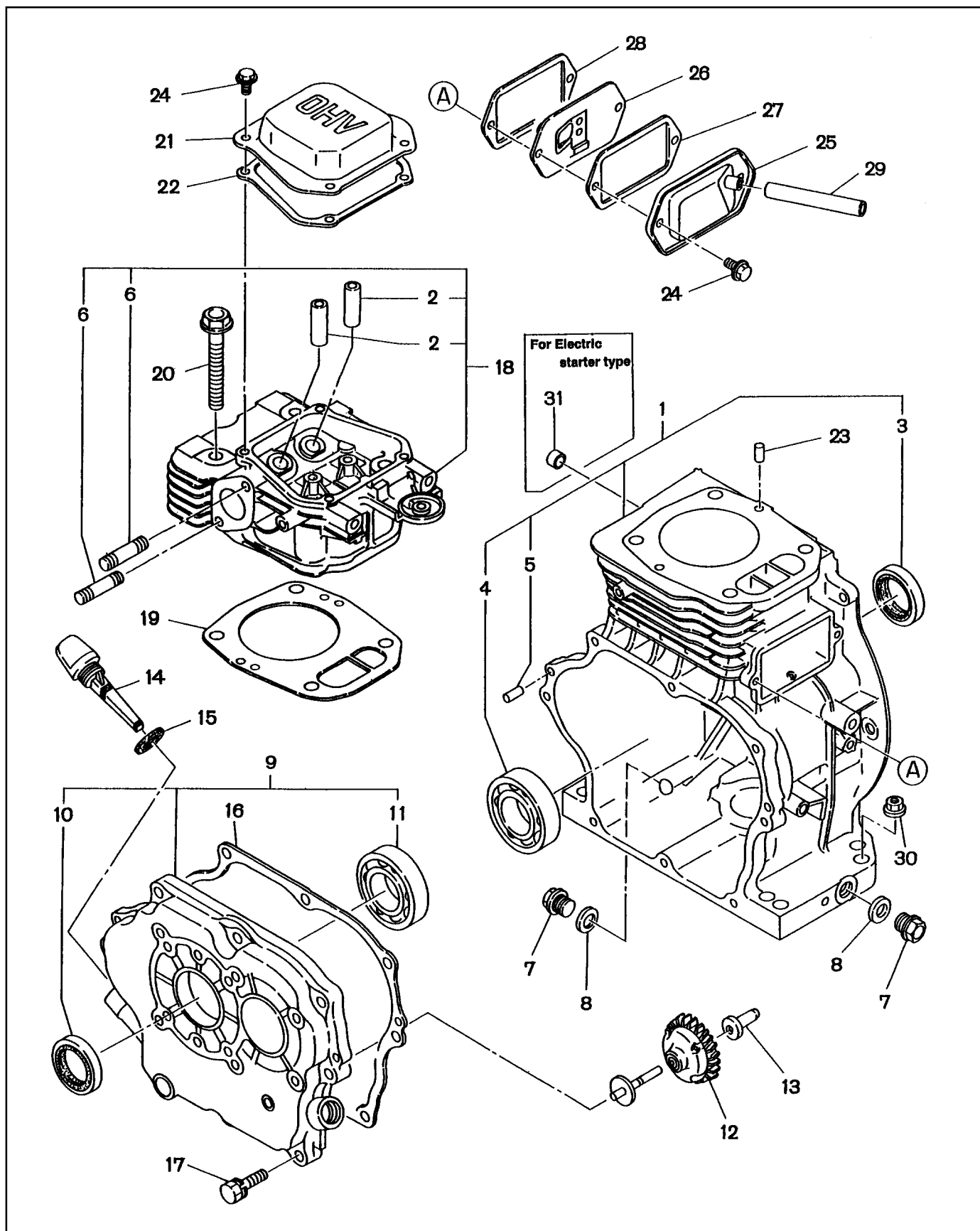






FIG. 8 CRANKCASE - RGV4100/4101



**FIG. 8 CRANKCASE - RGV4100/4101**

REF	PART NUMBER	DESCRIPTION	QTY	REMARKS
*1	254-10103-31	CRANKCASE, compl., recoil starter type	1	Includes items 3 thru 5
*1	254-10104-31	CRANKCASE, compl., electric starter type	1	Includes items 3 thru 5 and 31
2	132-12AA0-80	VALVE GUIDE (STD.)	2	
3	044-03000-30	OIL SEAL	1	ø30 x ø45 x 8mm
4	060-03000-20	BALL BEARING	1	BB6206C3
5	031-00600-20	DOWEL PIN	2	
6	010-50802-90	STUD	2	
7	040-11400-30	PLUG	2	
8	021-11400-20	GASKET	2	
*9	254-11004-01	MAIN BEARING COVER, compl.	1	Includes items 10 and 11
10	044-03000-30	OIL SEAL	1	ø30 x ø45 x 8mm
11	060-03000-20	BALL BEARING	1	BB6206C3
12	234-45001-01	GOVERNOR GEAR, compl.	1	
13	205-41901-03	GOVERNOR SLEEVE	1	
14	269-63601-03	OIL GAUGE	1	
15	021-31600-20	GASKET	1	
16	254-16001-03	GASKET, bearing cover	1	RGV4100
16	254-16001-13	GASKET, bearing cover	1	RGV4101
17	001-13083-00	BOLT and WASHER ASS'Y	8	
*18	270-13001-01	CYLINDER HEAD, compl.	1	Includes items 2 and 6
19	254-15001-13	GASKET, head	1	
20	011-01000-40	FLANGE BOLT	4	
21	254-15501-03	ROCKER COVER	1	RGV4100
21	270-15503-03	ROCKER COVER	1	RGV4101
22	270-16004-03	GASKET, rocker cover	1	
23	031-00600-20	DOWEL PIN	2	
24	011-00600-20	FLANGE BOLT	6	
25	254-14301-01	BREATHER COVER, compl.	1	
26	254-14401-11	BREATHER PLATE, compl.	1	
27	246-16006-03	GASKET, breather cover	1	
28	246-16007-03	GASKET, breather plate	1	RGV4100
28	246-16007-13	GASKET, breather plate	1	RGV4101
29	085-10800-00	RUBBER PIPE	1	ø8 x ø11 x 75mm
30	002-38080-00	FLANGE NUT	2	
31	142-55601-03	PIPE KNOCK	2	
*	254-99001-07	GASKET SET (STD.)	1	

FIG. 9 CRANKSHAFT and PISTON - RGV4100/4101

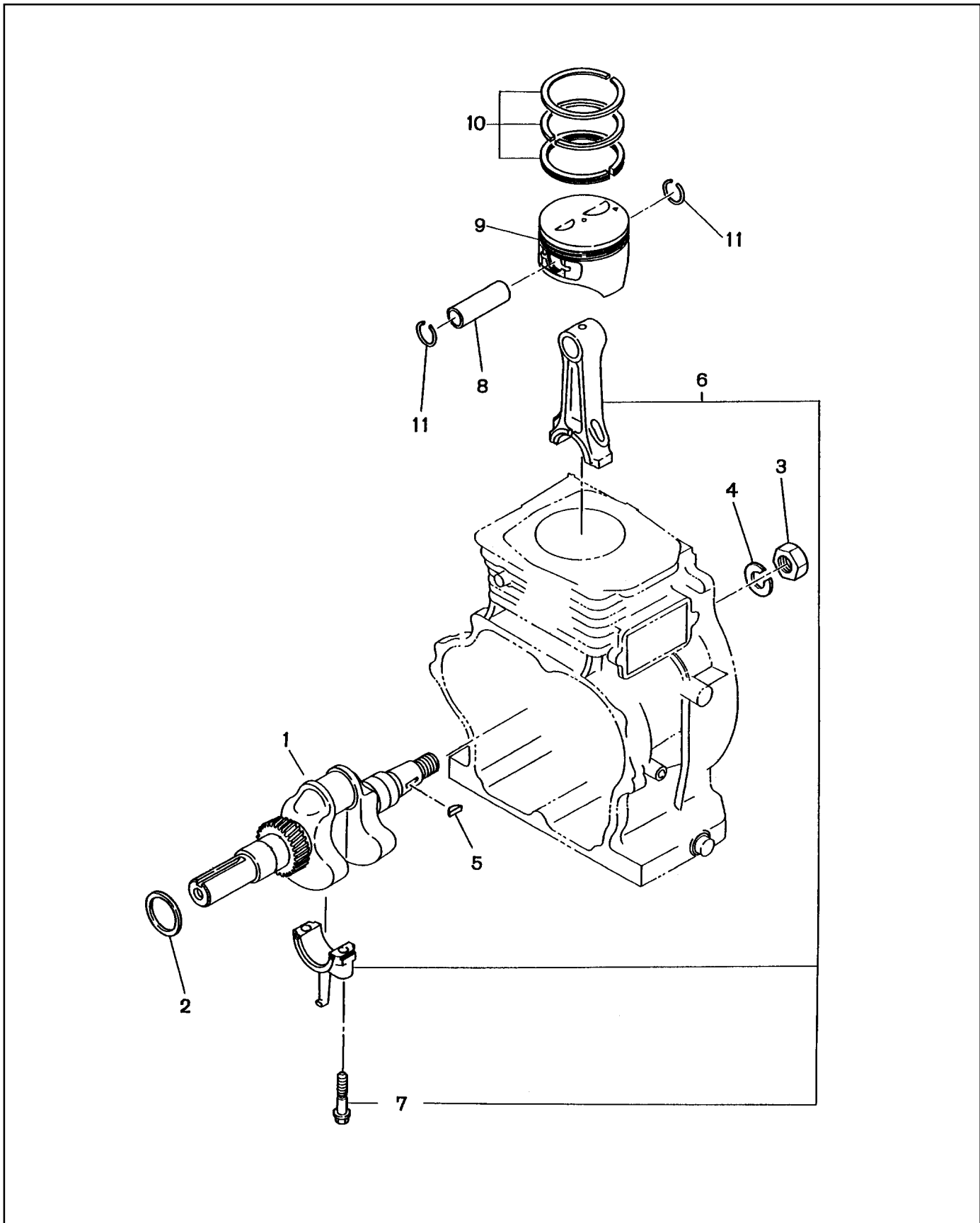
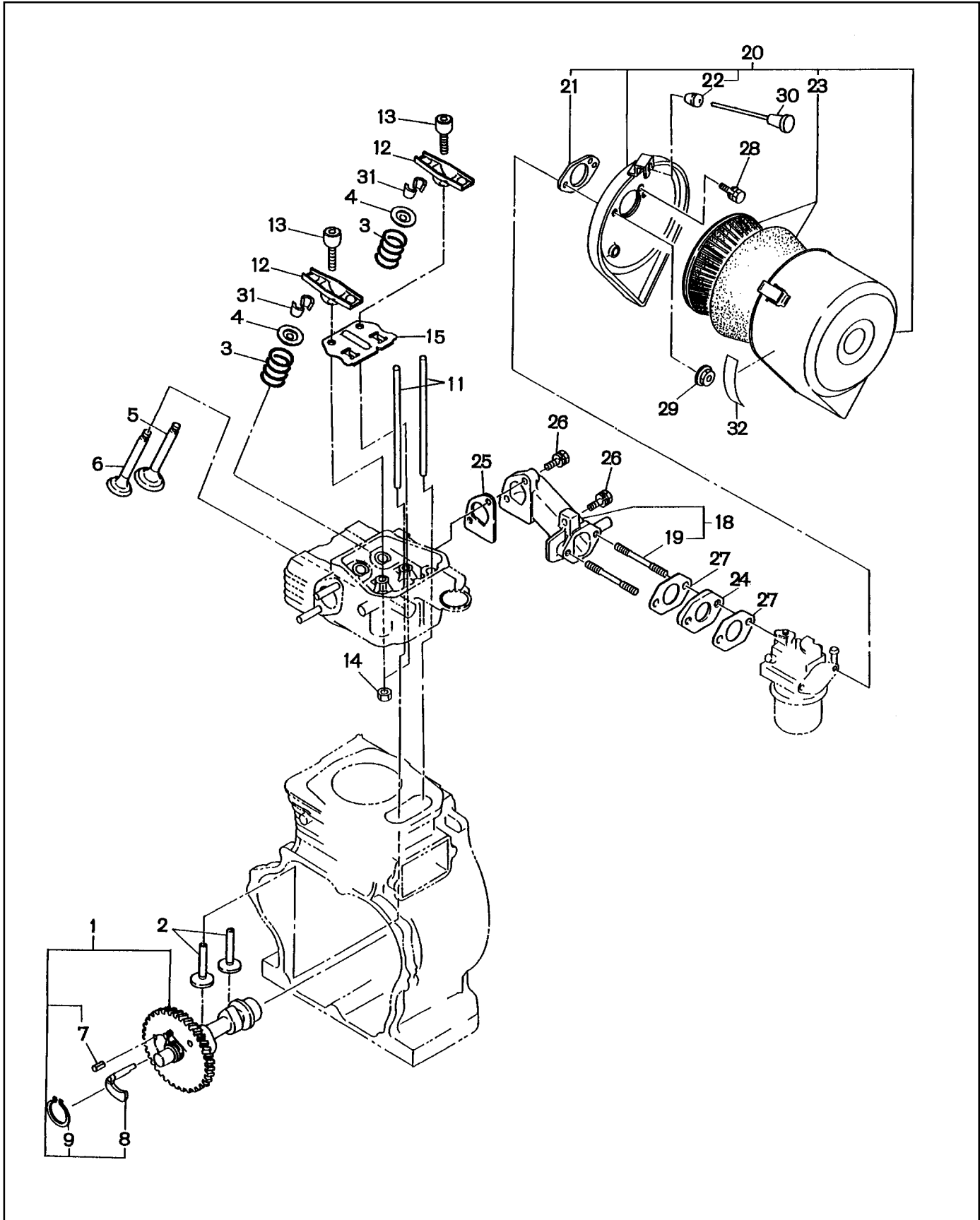




FIG. 10 INTAKE and EXHAUST - RGV4100/4101



**FIG. 10 INTAKE and EXHAUST - RGV4100/4101**

REF	PART NUMBER	DESCRIPTION	QTY	REMARKS
*1	254-31701-41	CAMSHAFT, compl.	1	Includes items 7 thru 9
2	239-33301-13	TAPPET	2	
3	246-33611-03	VALVE SPRING	2	
4	246-33711-03	SPRING RETAINER	2	
5	270-33401-03	INTAKE VALVE	1	
6	270-33501-03	EXHAUST VALVE	1	
7	005-19041-00	SPRING PIN	1	
8	254-36401-13	RELEASE LEVER	1	RGV4100
8	254-36401-23	RELEASE LEVER	1	RGV4101
9	003-15220-00	SNAP RING	1	
11	270-35301-03	PUSH ROD	2	
12	261-36001-A3	ROCKER ARM	2	
13	269-35801-03	BOLT, pivot	2	
14	017-00600-90	NUT	2	
15	270-36501-03	GUIDE PLATE	1	
*18	254-33001-01	INTAKE PIPE, compl.	1	Includes item 19
19	010-50601-91	STUD	2	
*20	254-32612-10	AIR CLEANER ASS'Y	1	Includes items 21 thru 23
21	234-36003-08	PACKING	1	
22	207-32690-08	GROMMET	1	
23	234-32604-07	ELEMENT SET	1	
24	234-32901-03	INSULATOR	1	
25	246-36001-13	GASKET, intake pipe	1	
26	001-13082-80	BOLT and WASHER ASS'Y	3	
27	234-35902-03	GASKET 2, insulator	2	
28	001-10061-60	BOLT and WASHER ASS'Y	1	
29	226-39212-00	NUT and WASHER ASS'Y	2	
30	206-43901-01	KNOB, compl.	1	
31	246-35501-03	COLLET-VALVE	4	
32	254-95302-13	LABEL, cleaner ID	1	

FIG. 11 GOVERNOR, OPERATION - RGV4100/4101

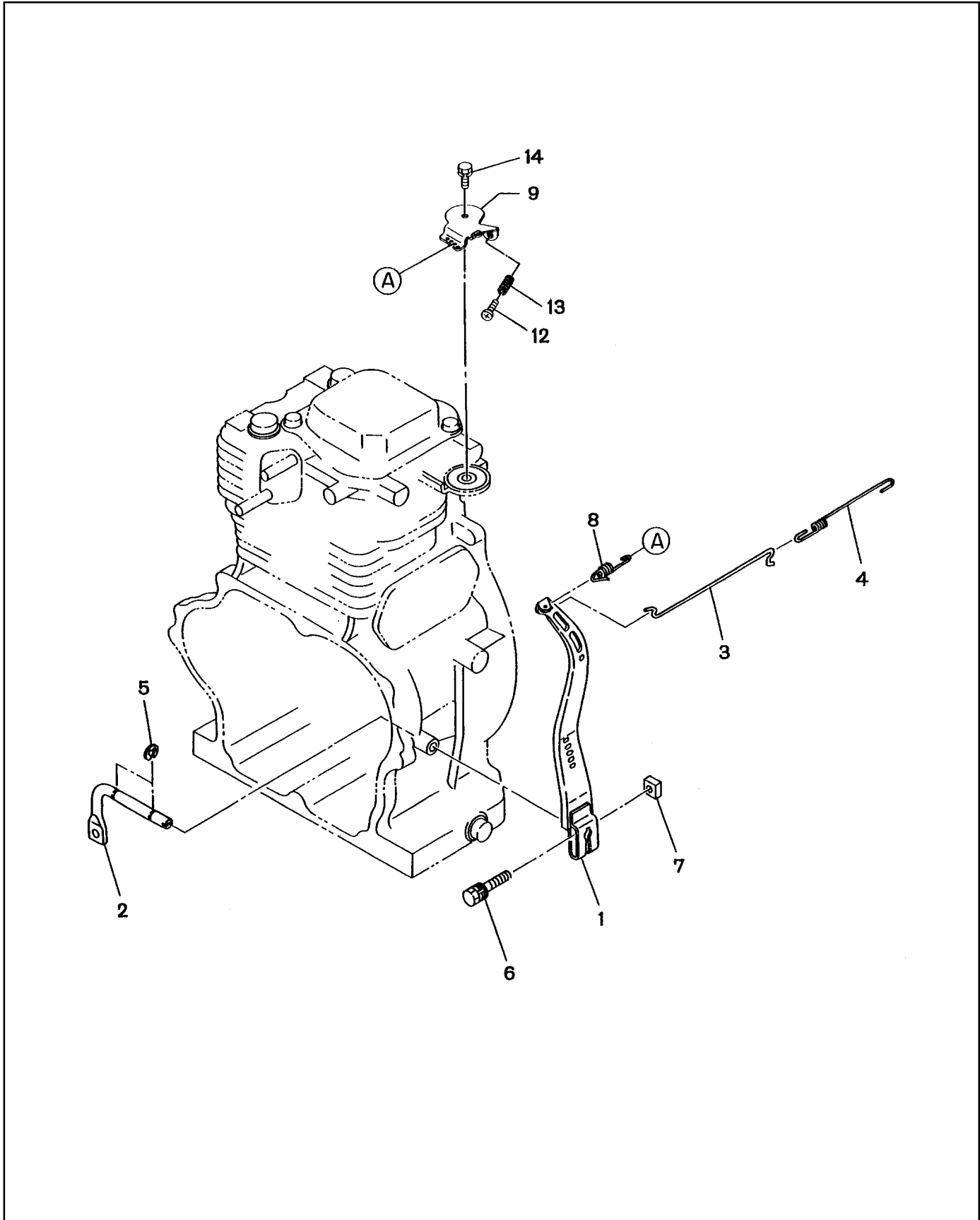
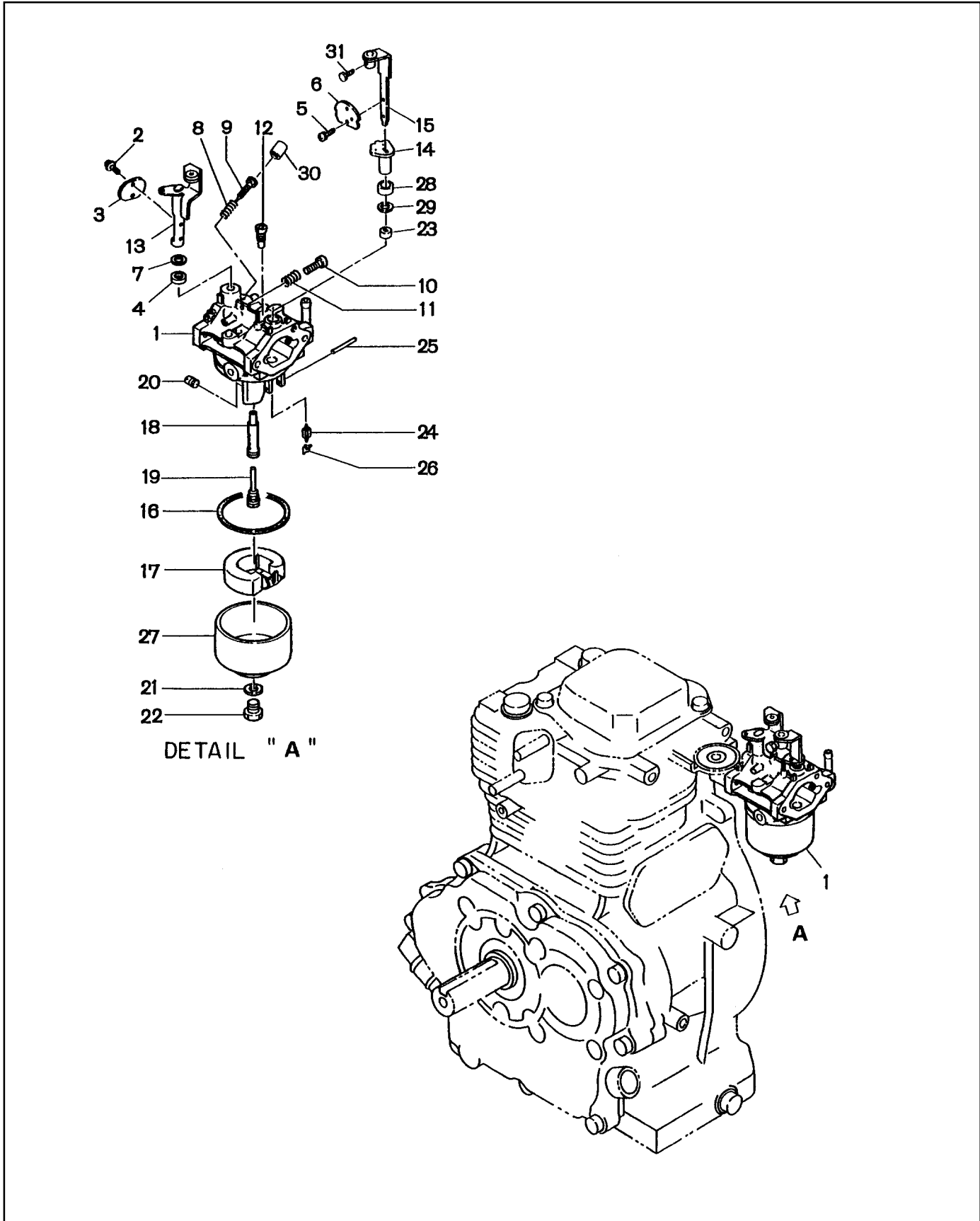






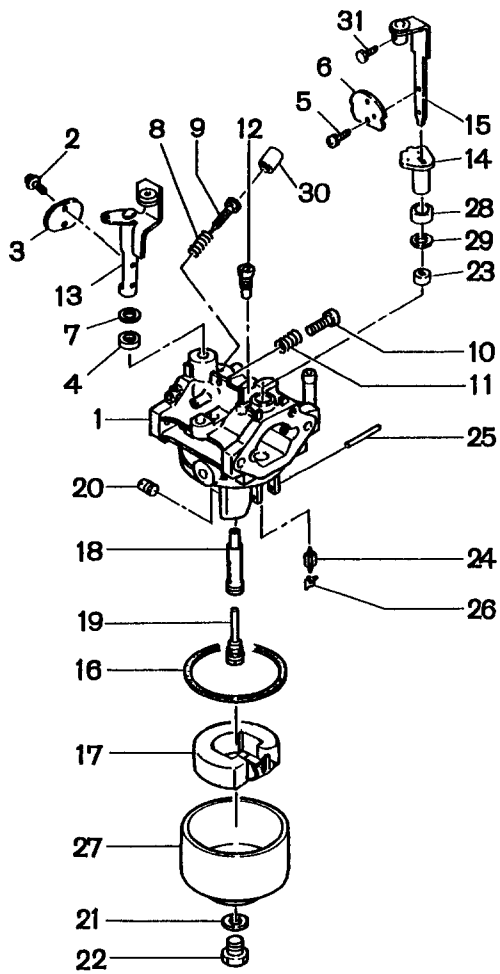
FIG. 12 COOLING and STARTING - RGV4100/4101



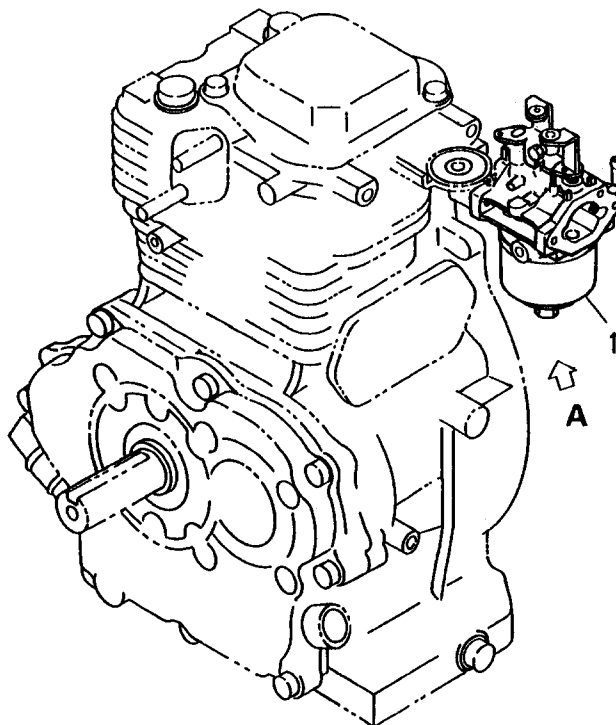
# FIG. 12 COOLING and STARTING - RGV4100/4101

REF	PART NUMBER	DESCRIPTION	QTY	REMARKS
1	254-51212-01	BLOWER HOUSING, compl. 2	1	For Recoil starter type
1	254-51812-01	BLOWER HOUSING, compl. 2	1	For Electric starter type
2	270-91703-03	LABEL, trade mark	1	
3	073-20039-00	LABEL, warning	1	
4	254-95201-13	LABEL, emission cont	1	RGV4100
4	254-95201-23	LABEL, emission cont	1	RGV4101
5	011-00600-20	FLANGE BOLT	5	
6	254-52702-03	HEAD COVER	1	
7	270-50201-00	RECOIL STARTER ASS'Y	1	Includes items 8 thru 16
8	270-50115-08	SPIRAL SPRING	1	
9	270-50120-08	REEL	1	
10	270-50110-08	STARTER ROPE	1	
11	261-50100-08	STARTER KNOB	1	
12	270-50125-08	RATCHET	2	
13	227-50131-08	FRICTION SPRING	1	
14	270-50145-08	STARTER PULLEY	1	
15	270-50261-08	RATCHET GUIDE	1	
16	227-50152-08	SET SCREW	1	
17	011-00600-10	FLANGE BOLT	4	
18	073-20049-50	LABEL (OHV mark)	1	
19	001-15082-00	BOLT and WASHER ASS'Y	2	For Recoil starter type
19	001-13082-00	BOLT and WASHER ASS'Y	2	For Electric starter type

FIG. 13 CARBURETOR - RGV4100/4101



DETAIL " A "



**FIG. 13 CARBURETOR - RGV4100/4101**

REF	PART NUMBER	DESCRIPTION	QTY	REMARKS
*1	254-62542-00	CARBURETOR ASS'Y	1	Includes items 1 thru 30
2	209-62351-08	SCREW, pan head	2	
3	239-62535-08	THROTTLE VALVE (#200)	1	
4	106-62392-08	SEAL	1	
5	237-62451-08	SCREW, pan head	2	
6	254-62525-08	VALVE, choke	1	
7	156-62351-08	PACKING	1	
8	230-62448-08	SPRING	1	
9	246-62436-08	PILOT SCREW	1	
10	246-62435-08	ADJUST SCREW	1	
11	230-62446-08	SPRING	1	
12	254-62420-08	PILOT JET (#45)	1	
13	254-62532-08	SHAFT ASS'Y, throttle	1	
14	239-62560-08	RING	1	
15	234-62521-08	CHOKE LEVER	1	
16	206-62540-08	PACKING, chamber	1	
17	234-62506-08	FLOAT ASS'Y	1	
18	254-62440-08	MAIN NOZZLE	1	
19	246-62425-08	PIPE	1	
20	254-62401-08	MAIN JET (#98.9)	1	
21	207-62345-08	PACKING	1	
22	224-62544-08	BOLT	1	
23	226-62550-08	RING	1	
24	224-62312-08	NEEDLE VALVE	1	
25	214-62515-08	FLOAT PIN	1	
26	224-62569-08	CLIP	1	
27	224-62552-08	FLOAT CHAMBER BODY	1	
28	247-62550-08	CAP	1	
29	236-62680-08	SEAL	1	
30	246-62551-08	CAP	1	
31	227-62450-08	BOLT	1	

FIG. 14A MAGNETO for RECOIL STARTER TYPE - RGV4100/4101

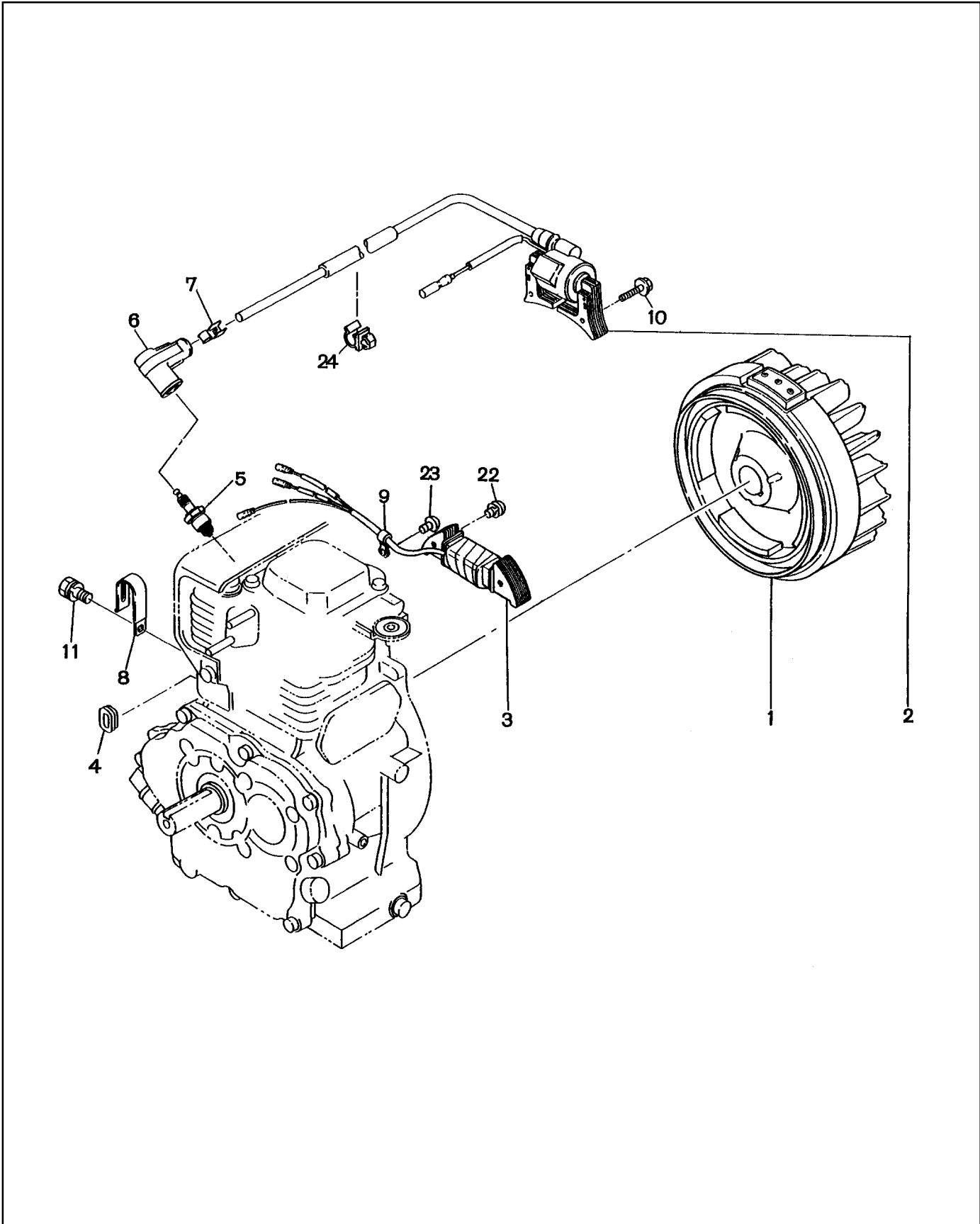
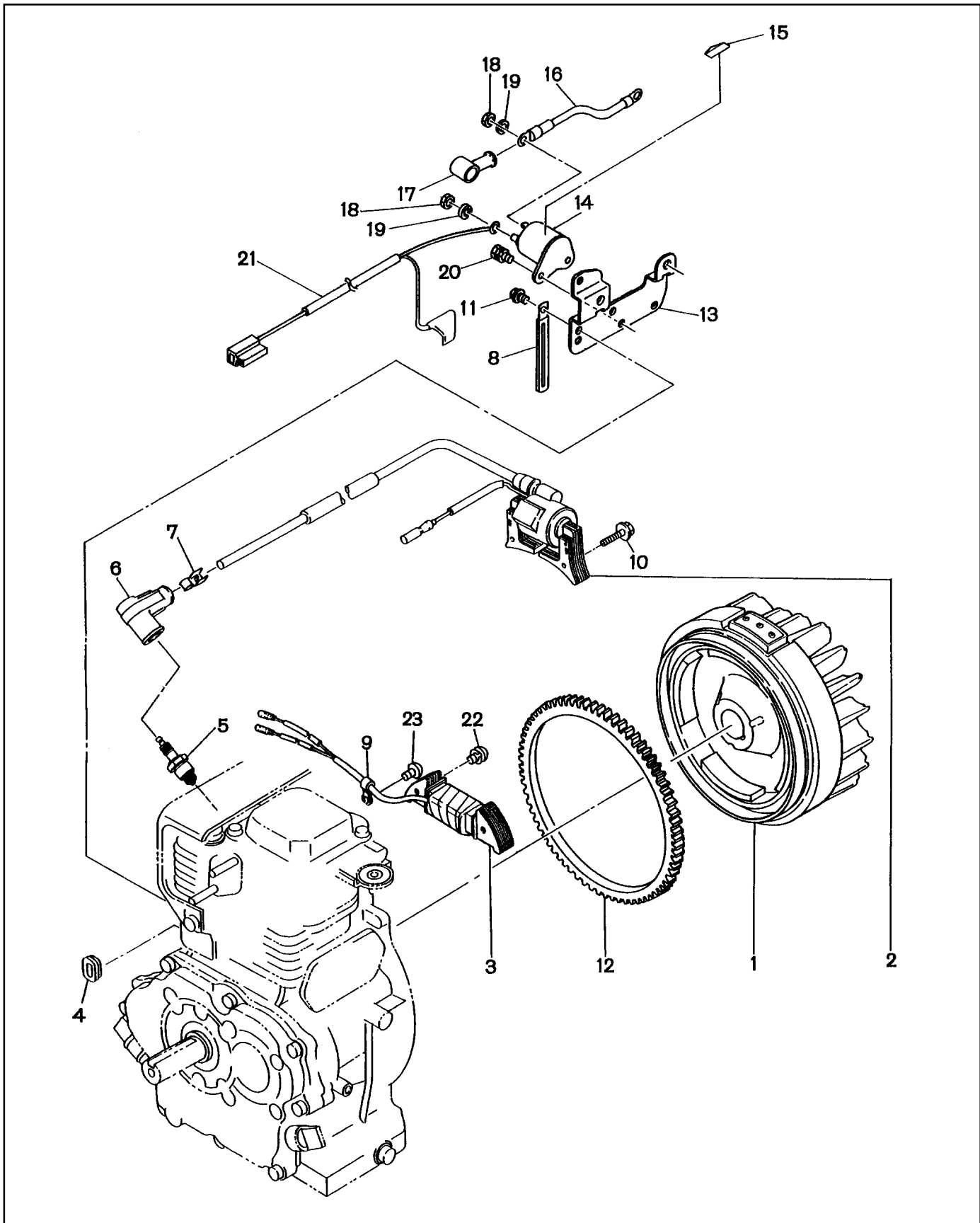




FIG. 14B MAGNETO for ELECTRIC STARTER TYPE - RGV4100/4101

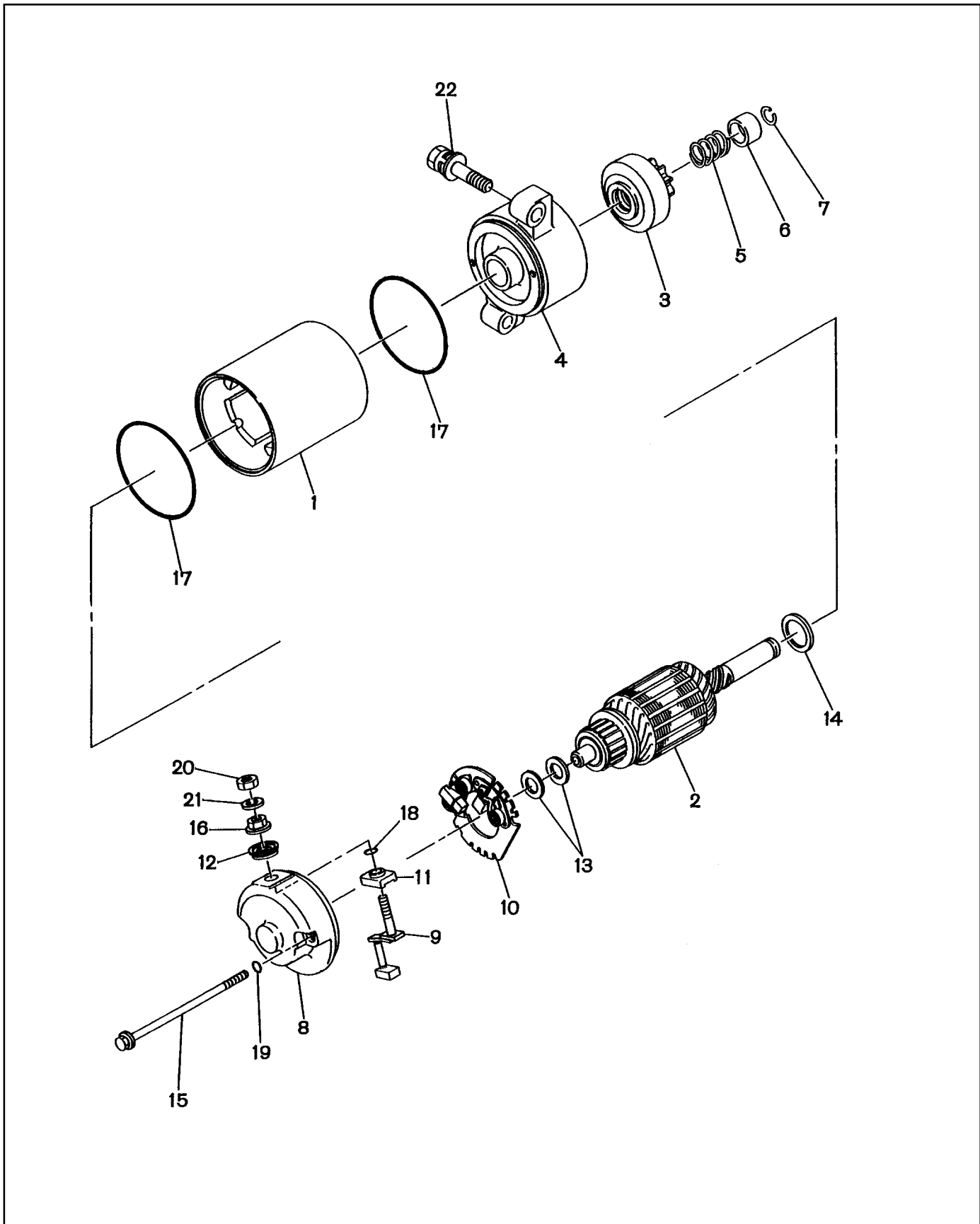




**FIG. 14B MAGNETO for ELECTRIC STARTER TYPE - RGV4100/4101**

REF	PART NUMBER	DESCRIPTION	QTY	REMARKS
1	234-70203-11	FLYWHEEL, compl.	1	
2	254-79430-21	IGNITION COIL, compl.	1	
3	227-79632-01	CHARGE COIL, compl.	1	
4	226-75501-03	GROMMET	1	
5	065-01401-50	SPARK PLUG	1	BR6HS
6	065-50001-40	SPARK PLUG CAP	1	
7	065-90000-10	PLUG TERMINAL	1	
8	056-60003-00	CLAMP	1	
9	206-75501-01	CLAMP, compl.	1	
10	001-14062-50	BOLT and WASHER ASS'Y	2	
11	011-00600-10	FLANGE BOLT	1	
12	254-71002-03	RING GEAR	1	
13	254-76503-01	BRACKET, magnetic switch, compl.	1	
14	066-10000-10	MAGNETIC SWITCH	1	
15	073-20044-80	LABEL, battery	1	
16	224-73201-01	WIRE 20, compl.	1	
17	214-78501-03	WIRE CASING	2	
18	002-27060-00	NUT	2	
19	003-20060-00	SPRING WASHER	2	
20	001-16051-00	BOLT and WASHER ASS'Y	2	
21	254-73108-01	WIRE 8, compl.	1	
22	004-35062-50	SCREW and WASHER ASS'Y	2	
23	004-31060-80	CREW, pan head	1	

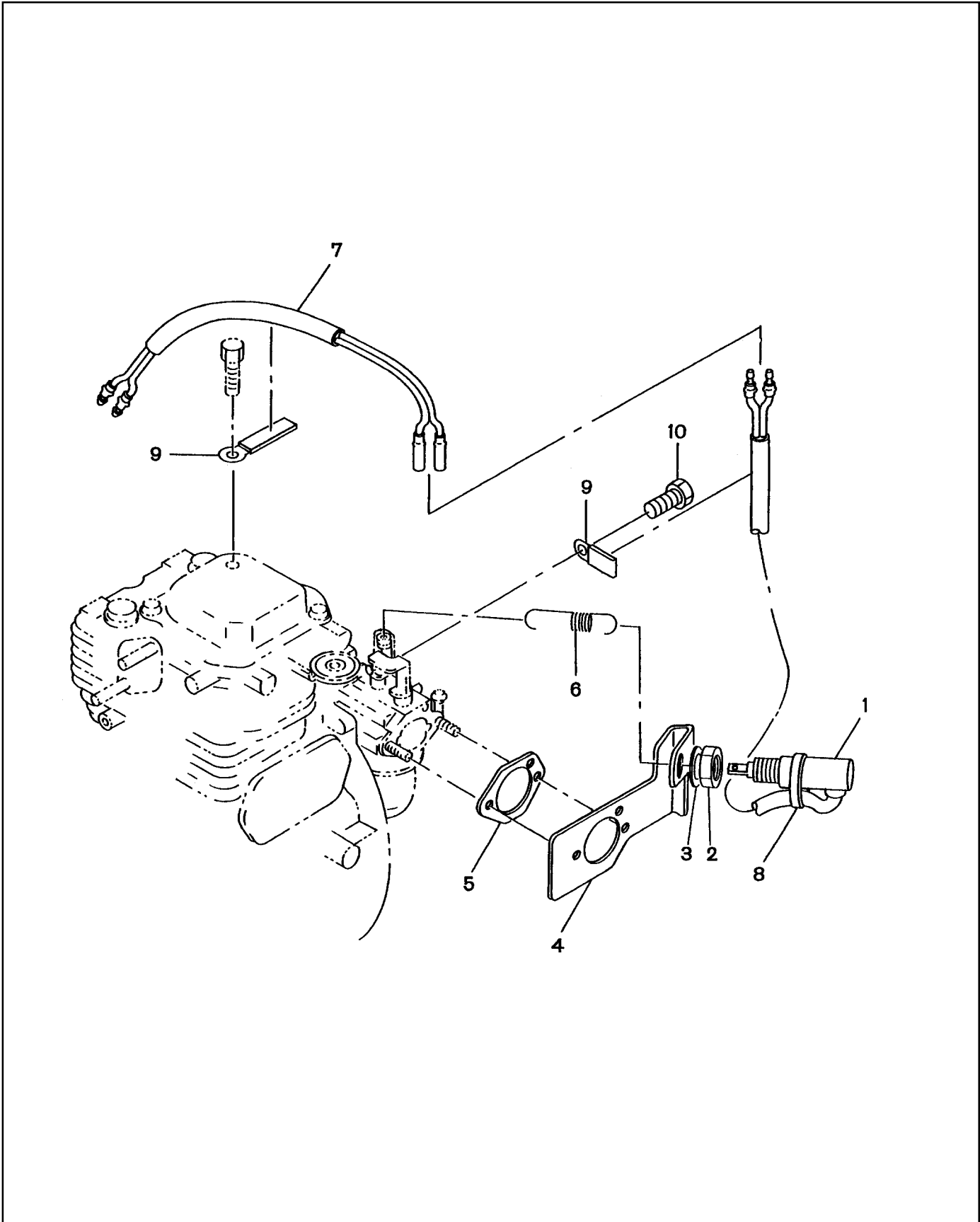
FIG.15 STARTING MOTOR - RGV4100/4101



**FIG.15 STARTING MOTOR - RGV4100/4101**

<b>REF</b>	<b>PART NUMBER</b>	<b>DESCRIPTION</b>	<b>QTY</b>	<b>REMARKS</b>
*1	254-70502-00	STARTING MOTOR ASS'Y	1	Includes items 1 thru 19
1	254-70551-08	YOKE ASS'Y	1	
2	254-70557-08	ARMATURE ASS'Y	1	
3	254-70522-08	CLUTCH	1	
4	254-70502-08	HOUSING ASS'Y	1	
5	227-70560-08	SPRING	1	
6	227-70561-08	NUT (pinion stop)	1	
7	227-70562-08	SNAP RING	1	
8	254-70505-08	FRAME ASS'Y	1	
9	254-70541-08	BRUSH SUB ASS'Y	1	
10	254-70536-08	HOLDER ASS'Y	1	
11	254-70581-08	BUSHING	1	
12	254-70582-08	BUSHING	1	
13	254-70573-08	WASHER	2	
14	227-70573-08	WASHER	1	
15	254-70574-08	THROUGH BOLT	2	
16	254-70575-08	NUT	1	
17	254-70571-08	O RING	2	
18	254-70572-08	O RING	1	
19	227-70571-08	O RING	2	
20	002-27060-00	NUT	1	
21	003-20060-00	SPRING WASHER	1	
22	001-14083-50	BOLT and WASHER ASS'Y	2	

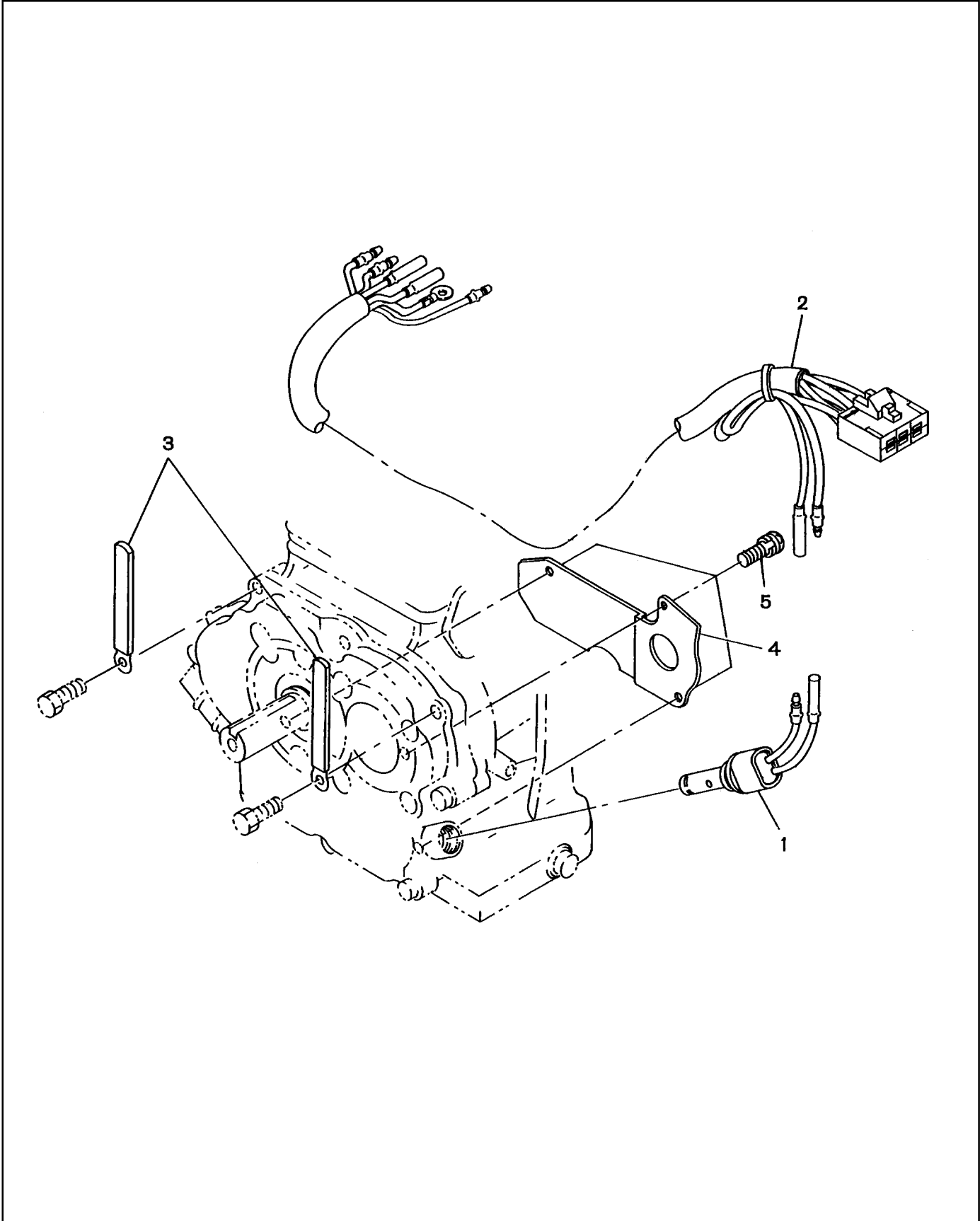
FIG. 16 SOLENOID - RGV4100/4101



**FIG. 16 SOLENOID - RGV4100/4101**

REF	PART NUMBER	DESCRIPTION	QTY	REMARKS
*1	227-75501-00	SOLENOID ASS'Y	1	Includes items 2 and 3
2	227-75501-08	NUT	1	
3	227-75502-08	WASHER	1	
4	254-76513-01	BRACKET 2, solenoid	1	
5	234-36003-03	GASKET	1	
6	227-46901-13	SPRING	1	
7	234-73118-11	WIRE 18, compl.	1	
8	056-30000-40	WIRE BAND	1	
9	226-75101-03	CLAMP	2	
10	011-00600-10	FLANGE BOLT	1	

FIG. 17 OIL SENSOR - RGV4100/4101





PRINTED IN THE USA