

**Robin Industrial Engines®**

# **PARTS MANUAL**

**Model**

**PKX301**

**PUMP**

PUB-PP5873

Rev. 07/03

**Robin**  
**SUBARU**

# **Robin America, Inc.**

940 Lively Blvd. • Wood Dale, IL 60191 • Phone: 630-350-8200 • Fax: 630-350-8212  
e-mail: [sales@robinamerica.com](mailto:sales@robinamerica.com) • [www.robinamerica.com](http://www.robinamerica.com)

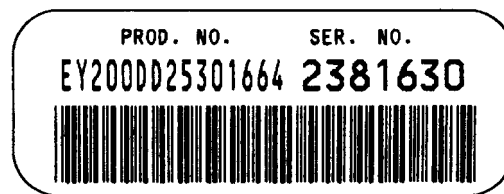
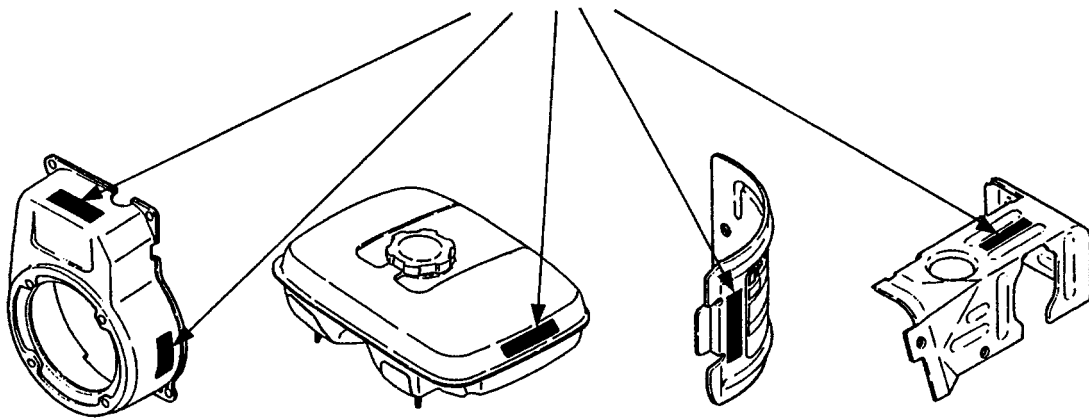
© Copyright 2003 Robin America, Inc.

## HOW TO USE THIS MANUAL

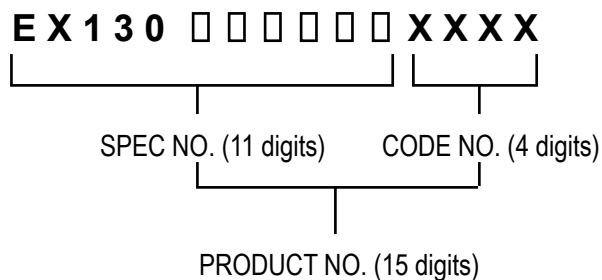
Robin engines are identified by MODEL, SPECIFICATION, and CODE NUMBER. For each model there may be many different versions called specifications. Each specification will be unique in some way. The difference may only be the paint color or it may have a different type of PTO or some other significant difference.

In order to identify the correct service part number, it is important to confirm the specification and code numbers for your engine. The specification and code number together are known as the PRODUCT NUMBER.

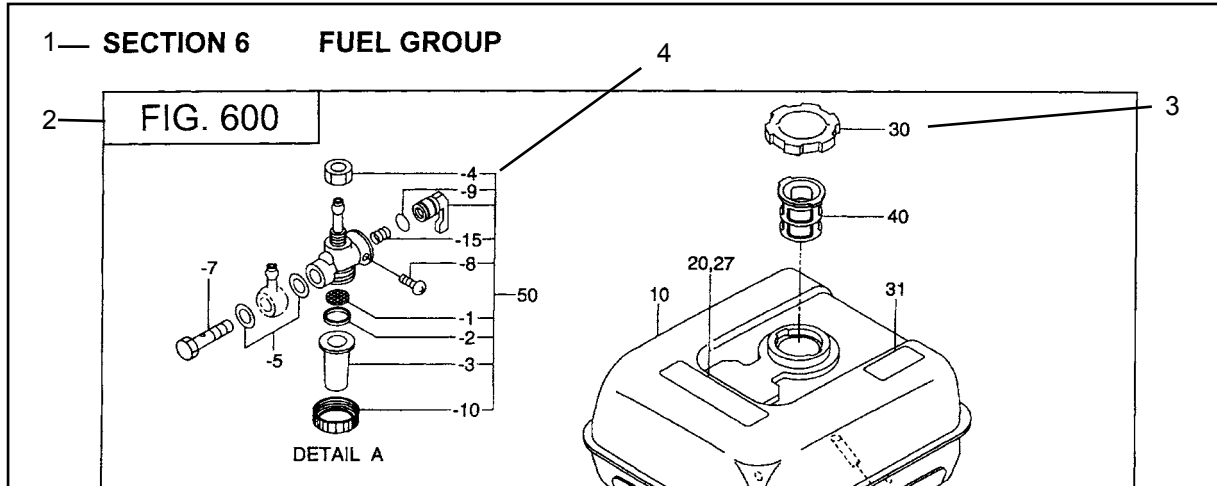
All Robin 4 cycle engines have a Product Number label similar to the label illustrated below.



The Product Number Label has a 15 digit alphanumeric string that consists of the SPECIFICATION (SPEC) number (11 digits) and the CODE number (4 digits). Please note the illustration below:



# MANUAL LAYOUT



REF.	PART NO.	DESCRIPTION	QTY.	REMARKS	FROM-TO	FIG.
10	267-60103-01	FUEL TANK CP	1	YD, YS TYPE, BLACK		600
	267-60101-01	FUEL TANK CP	1	YELLOW		600
27	073-20039-00	LABEL, WARNING	1	YD, YS TYPE		600
30	043-04300-15	FUEL TANK CAP CP	1			600
31	267-95201-03	LABEL, EMISSION	1	YD, YS TYPE		600
40	064-13600-10	FUEL FILTER	1			600
50	064-20021-01	FUEL STRAINER AY	1			600
-1	064-20002-20	FILTER	1			600
-2	064-20002-30	GASKET	1			600
-3	064-20019-10	CUP	1			600

1. SECTION NAME      Parts are broadly classified according to their functions. Refer to the Group Index (table of contents) for respective section name.
2. FIG. No.            The FIG. number indexes the reference and part numbers to the illustration. Figure numbers that vary only in the tens place (i.e.: 700 and 710) are in a group of the same section (i.e.:Electrical Device Group).
3. REF. No.            The Reference number identifies the part illustration with the corresponding part number in the part list.
4. SUBASSEMBLY      SUBASSEMBLY parts of part assembly are listed below the assembly part. The subassembly part reference number is indicated by the number led by "-" such as "-1", "-2".
5. PART NUMBER      It is the number assigned for sales unit. Use the PART No. when making an order.
6. DESCRIPTION      It is designation of the part.
7. QTY.                Quantity of each part used for each product.
8. REMARKS            This gives a distinctive feature and/or a supplementary comment for the type, the specification, and the part concerned. It also shows part number(s) interchangeable for the part.
9. FROM-TO            This section shows the CODE No. to indicate the history of progress in which improved parts have been introduced in the product. The FROM-TO CODE No. helps to identify PART No. being employed in the product concerned. See the examples below:
  - The part is used in the product irrespective of CODE No.
  - 2101-                 The part is used in the products with CODE No. of 2101 and after this number.
  - 2100                The part is used in the products with CODE No. of 2100 and before this number.

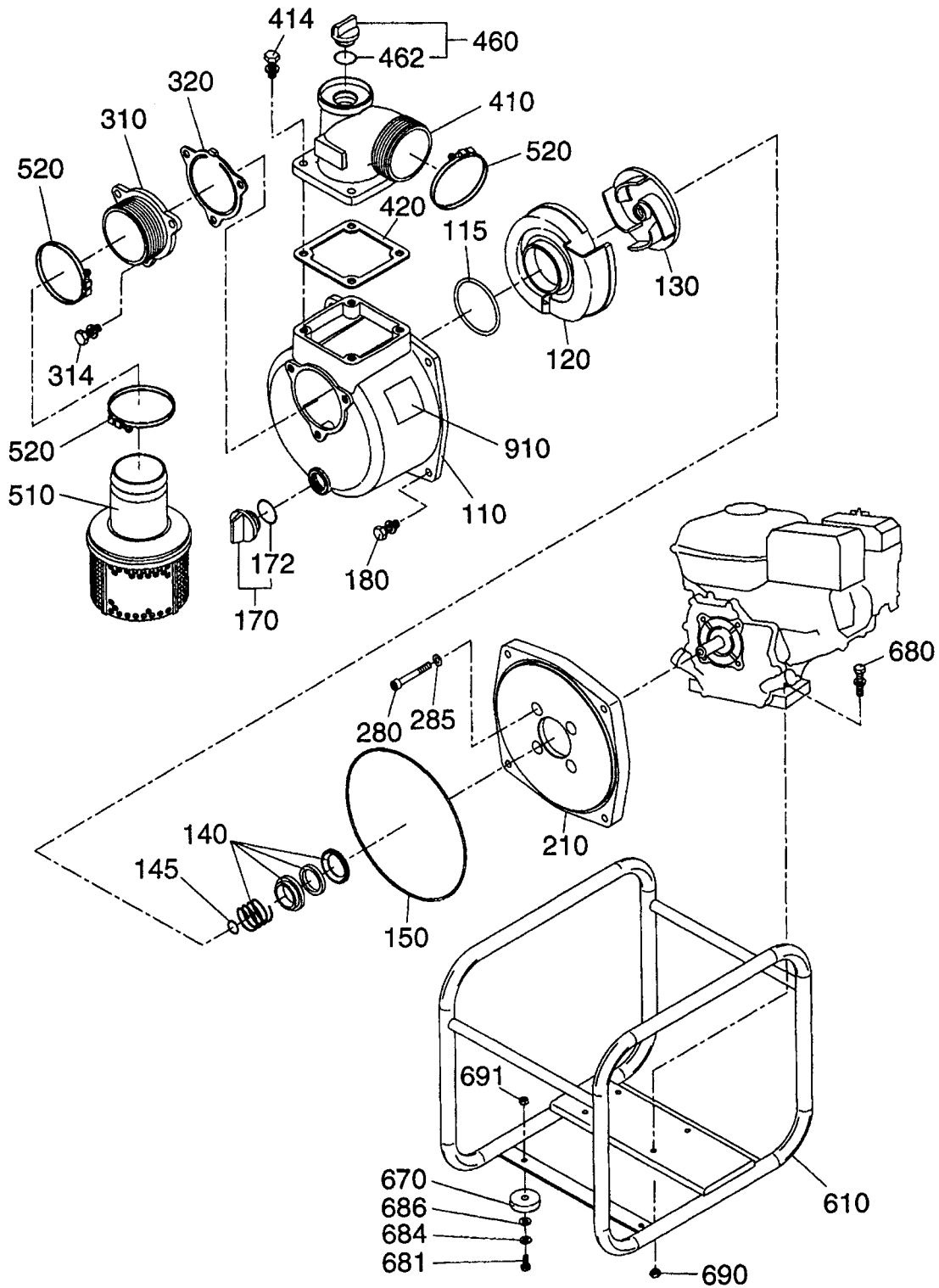
# GROUP INDEX

Group Name	Page
PUMP GROUP .....	6
CRANKCASE GROUP .....	8
CRANKSHAFT GROUP .....	10
INTAKE and EXHAUST GROUP .....	12
GOVERNOR GROUP .....	16
COOLING and STARTING GROUP .....	18
FUEL, LUBRICANT GROUP .....	20
CARBURETOR GROUP .....	22
ELECTRIC DEVICE GROUP .....	24
ACCESSORY GROUP .....	26

INDEX OF DESCRIPTION SYMBOLS			
SYMBOL	DESCRIPTION	SYMBOL	DESCRIPTION
AY .....	ASSEMBLY	P= .....	PITCH (in mm)
CP .....	COMPLETE	P.T.O. (PTO) .....	POWER TAKE OFF
EX .....	EXPORT (from Japan)	REF .....	REFERENCE
FIG .....	FIGURE	R.H. (RH) .....	RIGHT HAND SIDE
FR .....	FRONT	RR .....	REAR
" .....	INCH	STD. ....	STANDARD
INCL. ....	INCLUDE	SW .....	SWITCH
~L .....	LITER	T= .....	THICKNESS (in mm)
L= .....	LENGTH (in. mm)	UN .....	UNIT
L.H. (LH) .....	LEFT-HAND SIDE	U.S. ....	UNDER SIZE
MECH .....	MECHANICAL	~V .....	VOLTAGE
NO (NON) .....	NONE	~W .....	WATT
OPT .....	OPTIONAL	W/ .....	WITH
O.S. ....	OVER SIZE	W/O .....	WITHOUT

SECTION 1 PUMP GROUP

FIG. 100

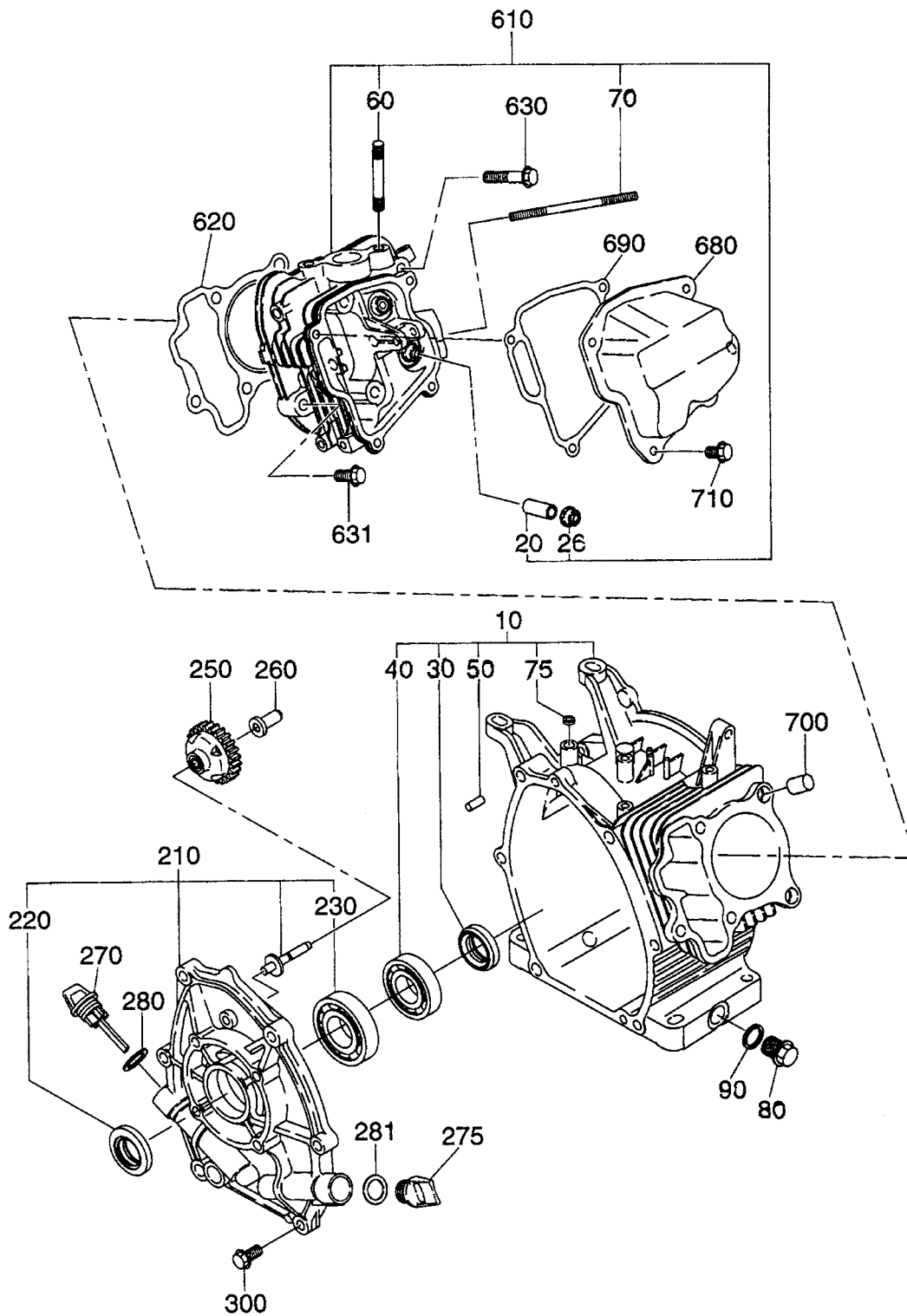


# SECTION 1 PUMP GROUP

REF.	PART NO.	DESCRIPTION	QTY.	REMARKS	FROM-TO	FIG.
110	470-01127-95	CASING	1	w/ oil sensor		100
115	470-01139-89	O RING	1			100
120	470-01143-79	INNER CASING	1			100
130	470-01150-57	IMPELLER	1			100
140	470-01106-64	MECHANICAL SEAL	1			100
145	470-01104-91	ADJUSTING WASHER	3			100
150	470-01150-15	O RING	1			100
170	470-01180-78	PLUG AY	1			100
172	471-00000-05	O RING	1			100
180	471-00000-50	BOLT AND WASHER	4			100
210	470-01127-96	FLANGE BRACKET	1			100
280	471-00000-03	SOCKET BOLT	4			100
285	471-00000-02	SEAL WASHER	4			100
310	470-01128-76	SUCTION FLANGE	1			100
314	471-00000-50	BOLT AND WASHER	3			100
320	470-01127-99	CHECK VALVE	1			100
410	470-01133-37	DELIVERY FLANGE	1			100
414	471-00000-34	BOLT AND WASHER	4			100
420	470-01105-84	PACKING, DELIVERY	1			100
460	470-01180-79	PLUG AY	1			100
462	471-00000-09	O RING	1			100
510	470-01181-95	STRAINER	1			100
520	471-00000-06	HOSE BAND	3			100
610	470-01176-91	FRAME	1			100
670	470-01105-15	CUSHION RUBBER	4			100
680	471-00000-65	BOLT AND WASHER	4			100
681	471-00000-71	BOLT AND WASHER	4			100
684	471-00000-68	SPRING WASHER	4			100
686	471-00000-66	WASHER	4			100
690	471-00000-57	NUT	4			100
691	471-00000-57	NUT	4			100
910	470-01165-65	LABEL, PUMP NAME	1			100

SECTION 2 CRANKCASE GROUP

FIG. 200

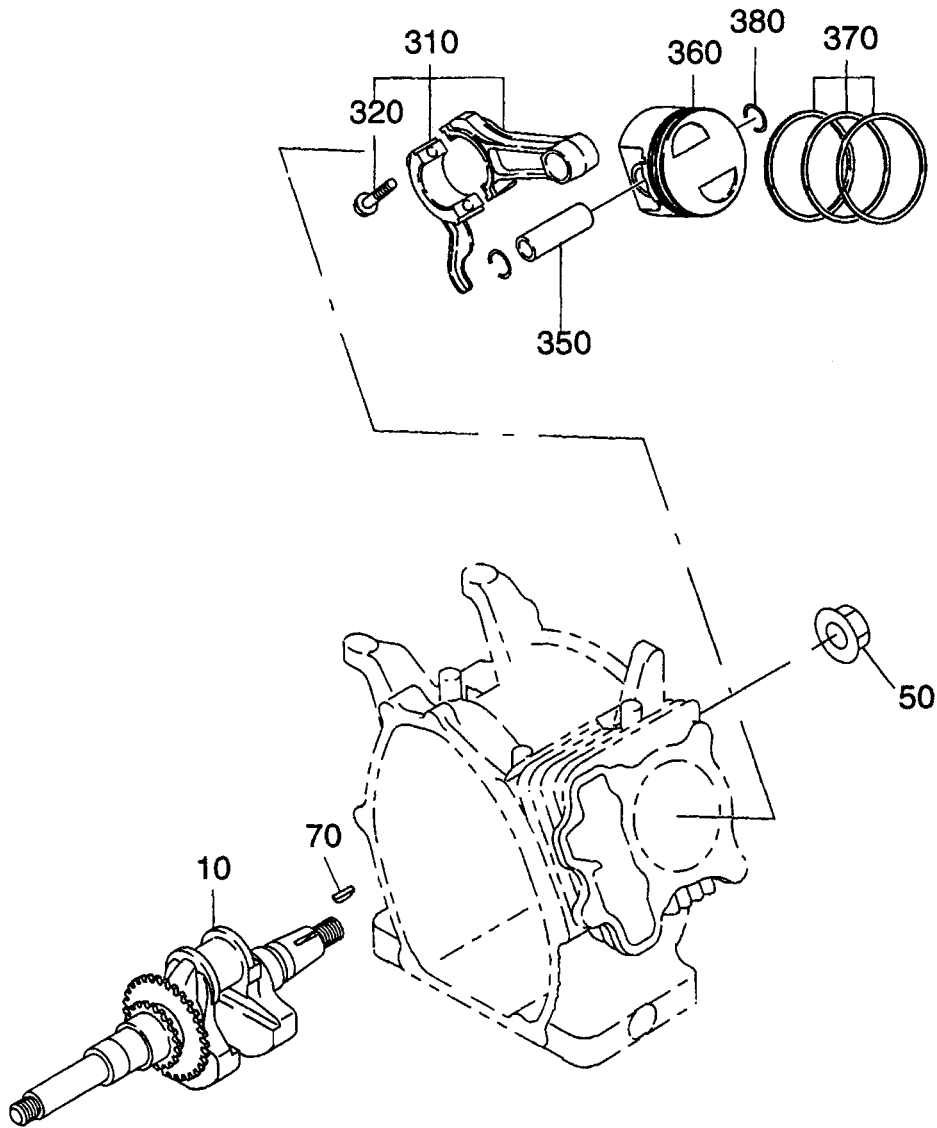






SECTION 3 CRANKSHAFT GROUP

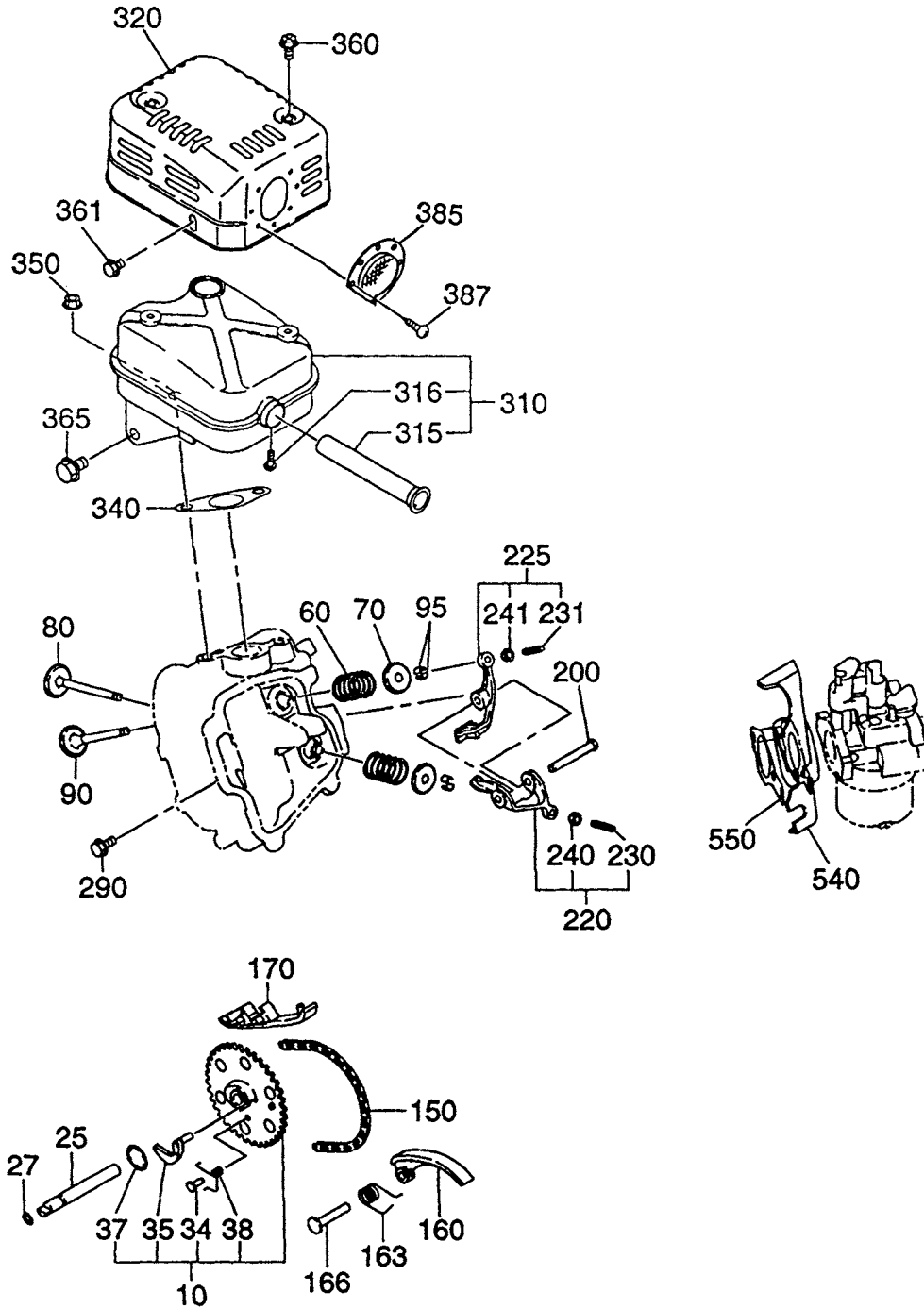
FIG. 300





SECTION 4 INTAKE and EXHAUST GROUP

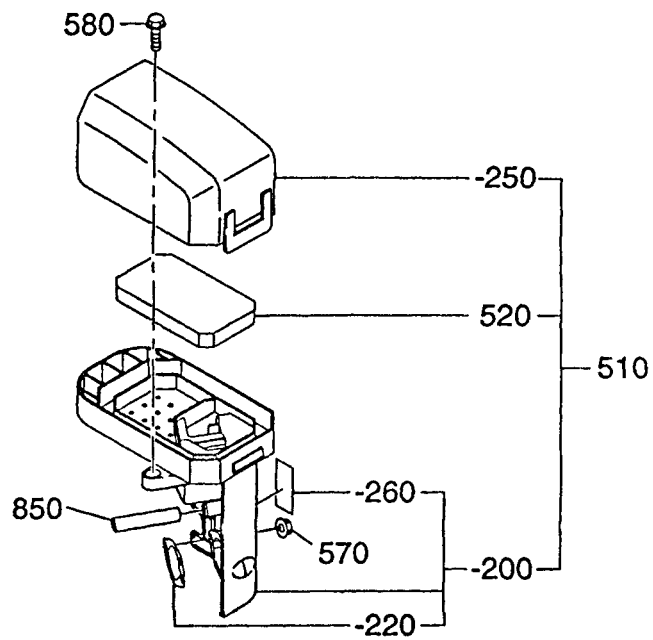
FIG. 400





SECTION 4 INTAKE and EXHAUST GROUP

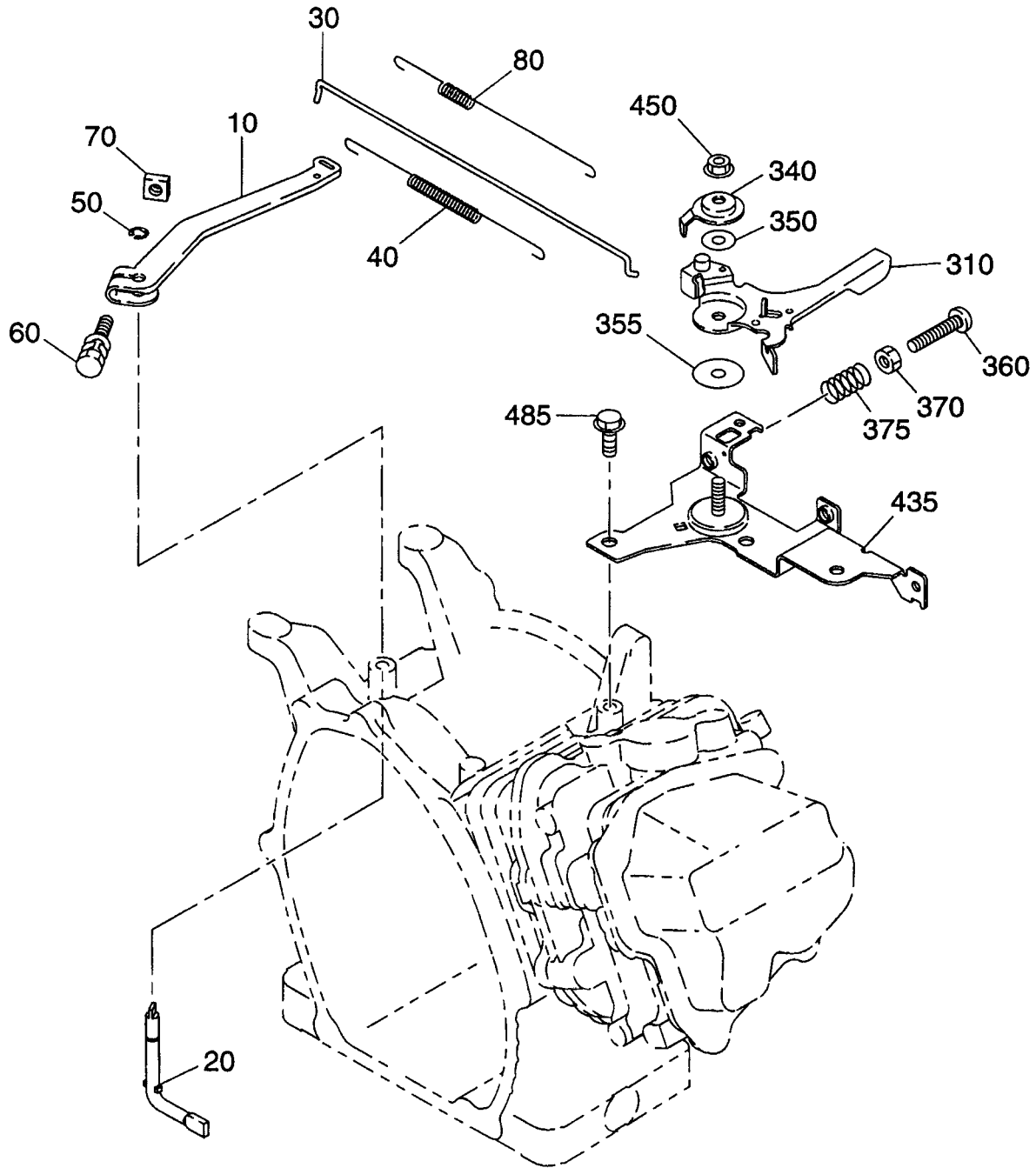
FIG. 410





SECTION 5 GOVERNOR GROUP

FIG. 500

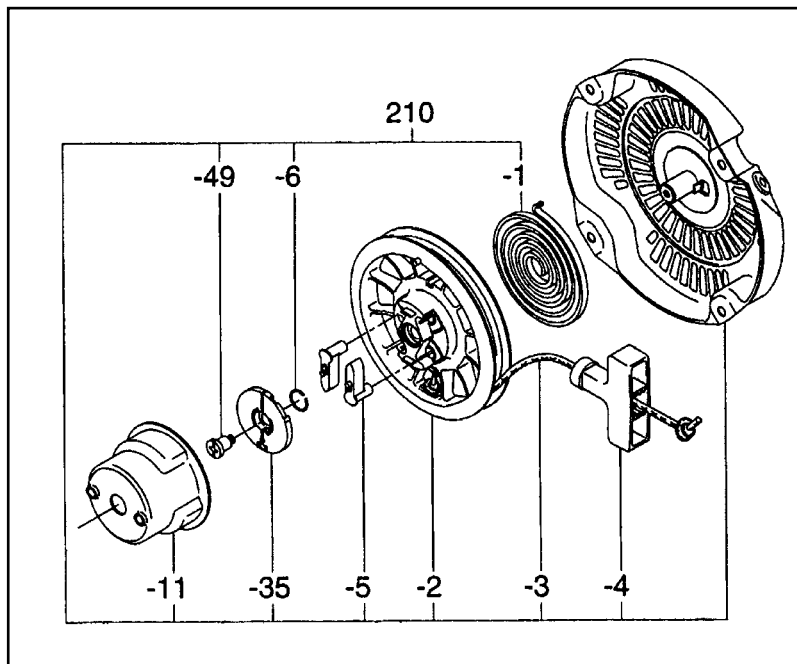
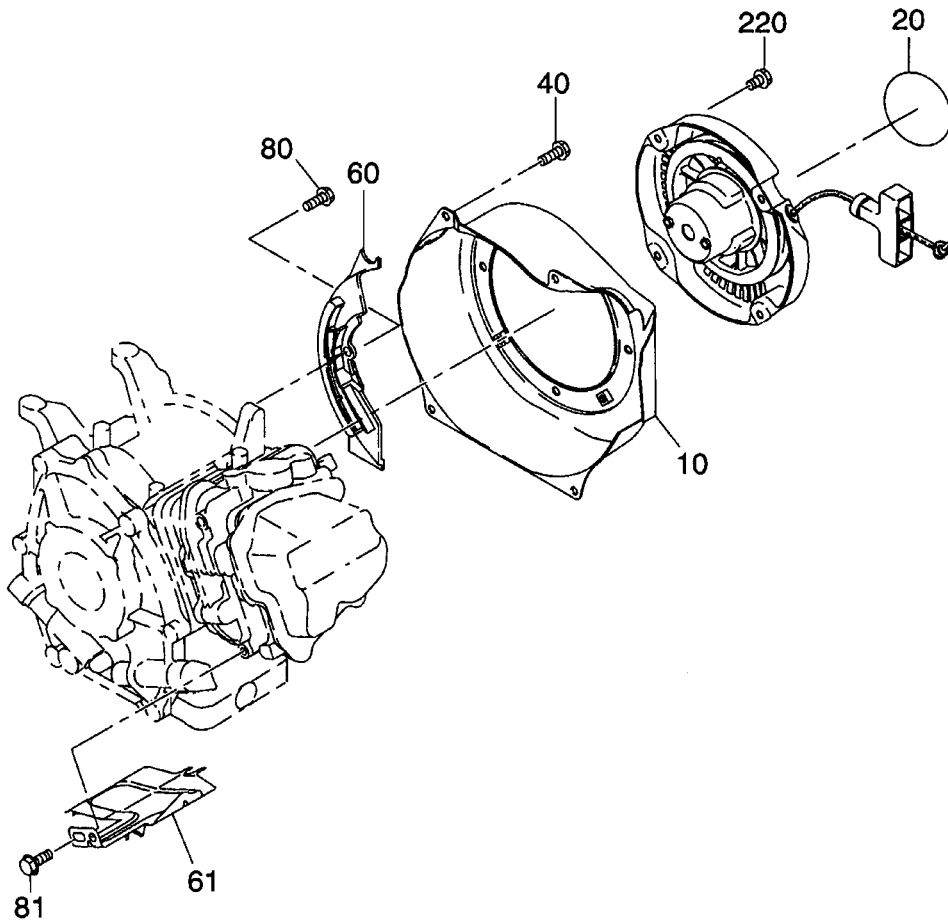






SECTION 6 COOLING and STARTING GROUP

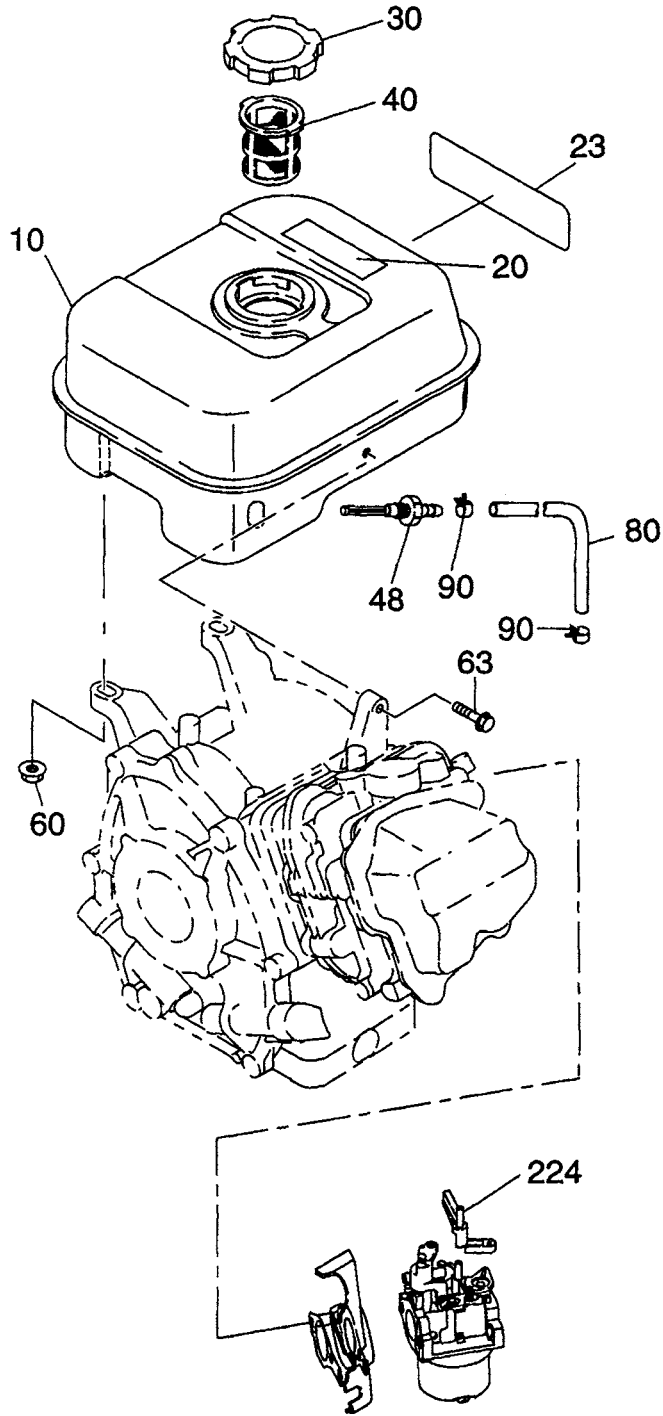
FIG. 600





SECTION 7 FUEL, LUBRICATION GROUP

FIG. 700

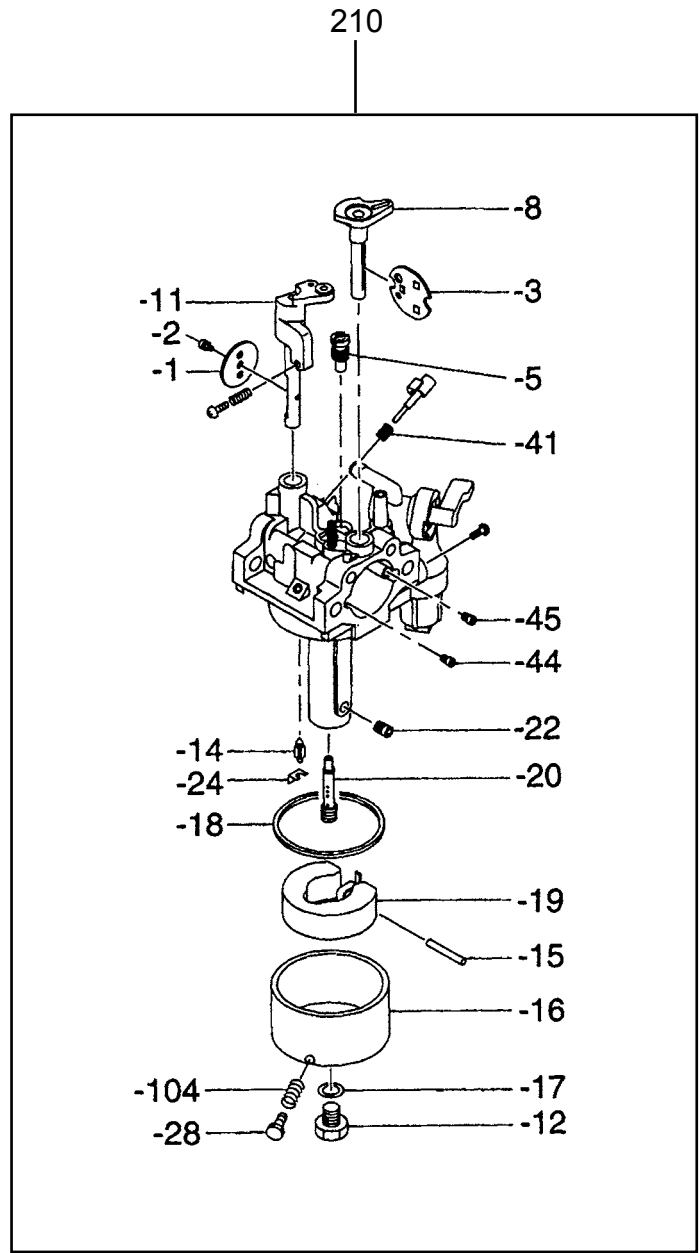


**SECTION 7 FUEL, LUBRICATION GROUP**

<b>REF.</b>	<b>PART NO.</b>	<b>DESCRIPTION</b>	<b>QTY.</b>	<b>REMARKS</b>	<b>FROM-TO</b>	<b>FIG.</b>
10	277-60101-11	FUEL TANK CP	1			700
20	073-20051-81	LABEL, WARNING	1			700
23	277-95101-03	LABEL, MODEL	1			700
30	043-04400-50	FUEL TANK CAP	1			700
40	064-13600-10	FUEL FILTER	1			700
48	050-51200-20	UNION	1			700
60	002-38060-00	FLANGE NUT	2			700
63	011-00601-30	FLANGE BOLT	1			700
80	X85-10612-40	RUBBER PIPE	1			700
90	X56-11000-30	HOSE CLAMP	2			700
224	277-43801-01	CHOKER LEVER CP	1			700

SECTION 7 FUEL, LUBRICATION GROUP

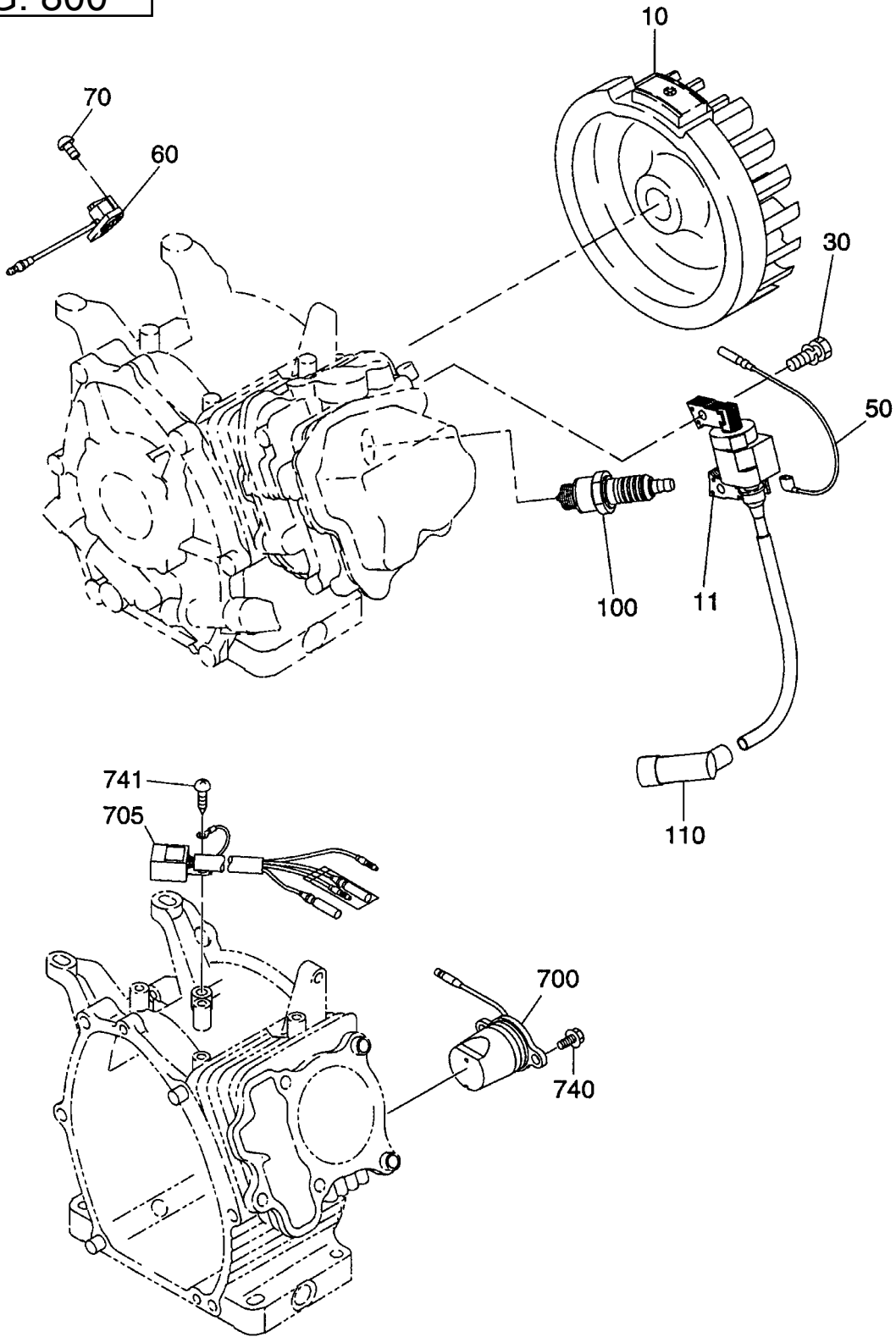
FIG. 710





SECTION 8 ELECTRIC DEVICE GROUP

FIG. 800

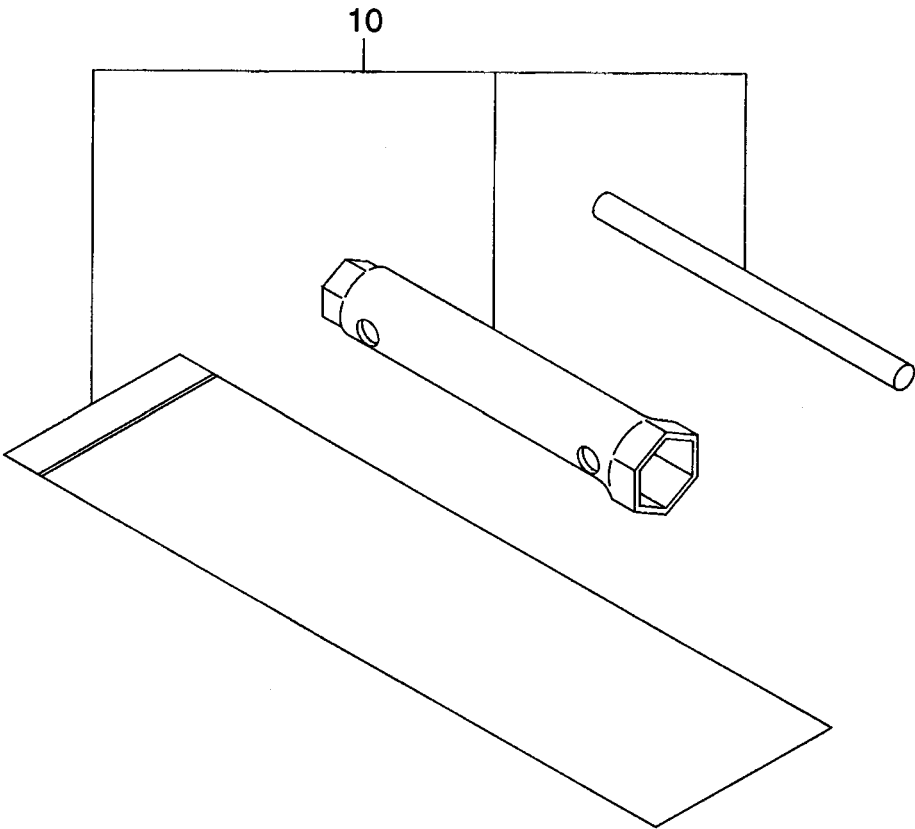






SECTION 9 ACCESSORY GROUP

FIG. 900





PRINTED IN THE USA