



SERIES RSS & RSSP SINGLE & MULTI-CANDELA STROBES & STROBE PLATES

DESCRIPTION

Wheelock's patented Series RSS Strobe Appliances and Series RSSP Strobe Plates have lower current draw while maintaining outstanding performance, reliability and cost effectiveness. These versatile appliances will satisfy virtually all requirements for indoor, wall or ceiling mount applications.

Strobe options for wall mount models include Wheelock's patented Multi-Candela strobe with field selectable candela settings of: 15, 30, 75 or 110cd. Ceiling mount models are available in 15, 30, 75 or 100cd intensities.

All models may be synchronized when used in conjunction with the Wheelock SM or DSM Sync Module(s). Synchronized strobes can eliminate possible restrictions on the number of strobes in the field of view. Wheelock's synchronized strobes offer an easy way to comply with recommendations concerning photosensitive epilepsy.

Wheelock's Series RSS Strobes employ a Patented Integral Strobe Mounting Plate that can be mounted to a single gang, double gang, 4" square, 100mm European backboxes or the SHBB surface backbox. If the flush backbox has side or top space between it and the finished wall, the NATP (Notification Appliance Trimplate) may be used. It provides an additional .65" of trim for the Appliance. An attractive cover plate is provided for a clean, finished appearance on all models.

The Series RSSP Multi-Candela Strobe Plates are a cost effective way to retrofit required strobe appliances to bells, horns, chimes, multitones or speakers and easily mounts to standard 4" backboxes or for surface mount use with Wheelock's SBL2 surface backbox.



Series RSS

Series RSSP

RSS Round




Multi-Candela Indicator
(bottom of Strobe Lens)

Features

- Approvals include: CAN/ULC-S5206-02 for Visual Signaling Appliances. FCC Part 15 Class B
- ADA/NFPA/ANSI compliant
- Meets OSHA 29 Part 1910.165
- **Wall mount models are available with Field Selectable Candela Settings of 15, 30, 75 or 110 cd. (Multi-Candela models)**
- **Ceiling mount models are available in 15, 30, 75 or 95cd**
- Low current draw with temperature compensation to reduce power consumption and wiring costs.
- Strobes produce 1 flash per second over the regulated voltage range
- 12 and 24 VDC models with wide ULC Listed Voltage using filtered DC or unfiltered VRMS input voltage
- Wall Mount or Ceiling Mount models
- Synchronize with Wheelock SM or DSM sync module(s)
- ZERO Inrush above Peak
- Compatible with all Wheelock 2-Wire products
- Fast installation with IN/OUT screw terminals using #12 to #18 AWG wire

For Weatherproof Strobe See Datasheet S9004C for RSSWP-2475W-FR.

Copyright 2005 Wheelock, Inc. All rights reserved.

NOTE: All CAUTIONS and WARNINGS are identified by the symbol  . All warnings are printed in bold capital letters.

WARNING: PLEASE READ THESE SPECIFICATIONS AND ASSOCIATED INSTALLATION INSTRUCTIONS CAREFULLY BEFORE USING, SPECIFYING OR APPLYING THIS PRODUCT. FAILURE TO COMPLY WITH ANY OF THESE INSTRUCTIONS, CAUTIONS OR WARNINGS COULD RESULT IN IMPROPER APPLICATION, INSTALLATION AND/OR OPERATION OF THESE PRODUCTS IN AN EMERGENCY SITUATION, WHICH COULD RESULT IN PROPERTY DAMAGE, AND SERIOUS INJURY OR DEATH TO YOU AND/OR OTHERS.

WARNING: FOR ULC APPLICATIONS THESE APPLIANCES WERE TESTED TO THE OPERATING VOLTAGE LIMITS OF 20-31 VOLTS/ USING FILTERED (DC) OR UNFILTERED FULL-WAVE RECTIFIED (FWR). APPLY 80% AND 110% OF THESE VALUES FOR SYSTEM OPERATION.

General Notes

- Strobes are designed to flash at 1 flash per second minimum over the Voltage Range.
- All candela ratings represent minimum effective Strobe intensity based on UL 1971.
- Series RSS & RSSP Strobe products are listed under CAN/ULC-S526-M87 for indoor use with a temperature range of 0° C to 49° C (32° F to 120° F) and maximum humidity of 93% (± 2%).
- **All Canadian Installations should be in accordance with the Canadian Standard for the Installation of Fire Alarm Systems - CAN/ULC-S524-01 and Canadian Electrical Code, Part 1.**

Table 1: ULC Current (AMPS) for Wall Mount - Series RSS Strobe and RSSP Strobe Plates

| Voltage | Average Current * Rated @ 24 VDC or 12 VDC | | | |
|----------|---|------|------|-------|
| | 15cd | 30cd | 75cd | 110cd |
| 20.0 VDC | .060 | .092 | .165 | .220 |
| 24.0 VDC | .041 | .063 | .109 | .140 |
| 31.0 VDC | .033 | .047 | .081 | .100 |

* Average Current per actual Wheelock Production testing at listed VDC.

U= FIRE/FEU lettering

Note: Models are available in either Red or White.

Contact Customer Service for Order Code and Delivery.

Note: Installation Instruction Sheets: Series RSS/RSSP - Wall Mount Multi-Candela (P83911); Series RSS Ceiling Mount (P84025).

Table 2: ULC Current (AMPS) for Ceiling Mount Series RSS Strobe and RSSP Strobe Plates

| Voltage | Average Current * Rated @ 24 VDC or 12 VDC | | | |
|----------|---|------|------|------|
| | 15cd | 30cd | 75cd | 95cd |
| 20.0 VDC | .065 | .105 | .189 | .249 |
| 24.0 VDC | .045 | .070 | .119 | .159 |
| 31.0 VDC | .035 | .052 | .089 | .110 |

Table 4: ULC Current (AMPS) for Series RSSWP

| Voltage | Average Current * Rated @ 24 VDC |
|----------|-------------------------------------|
| 20.0 VDC | .138 |
| 24.0 VDC | .094 |
| 31.0 VDC | .067 |

Table 3: Audibles/Speakers for RSSP Strobe Plate

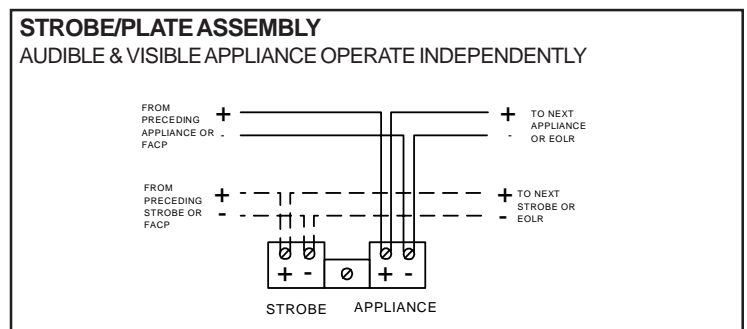
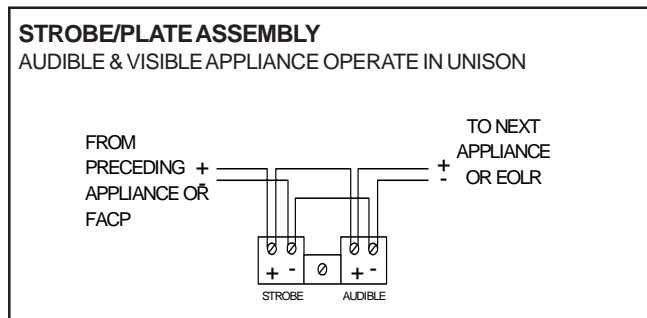
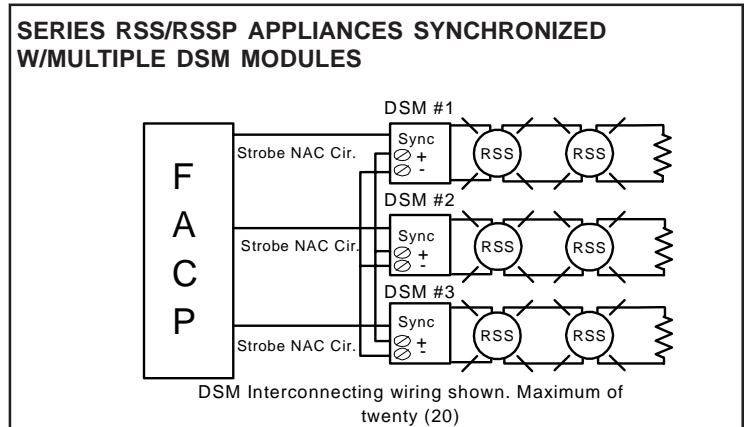
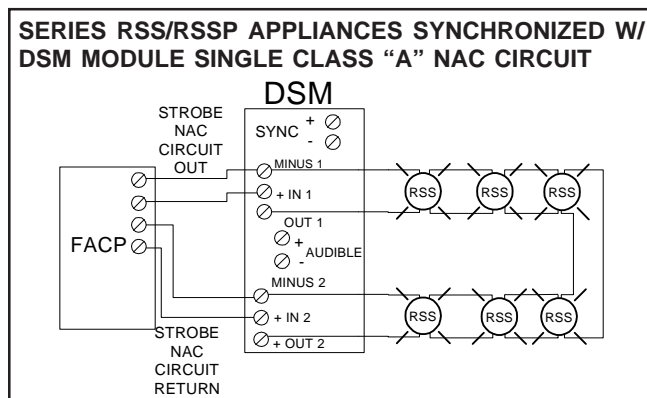
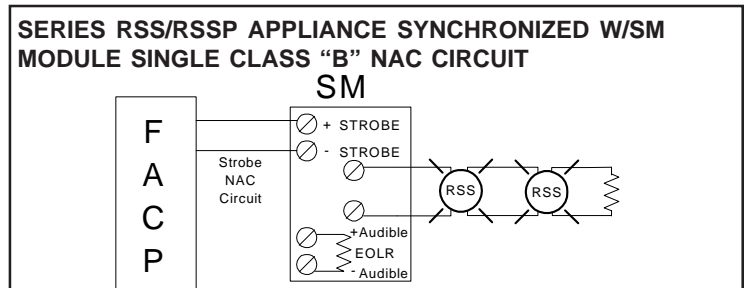
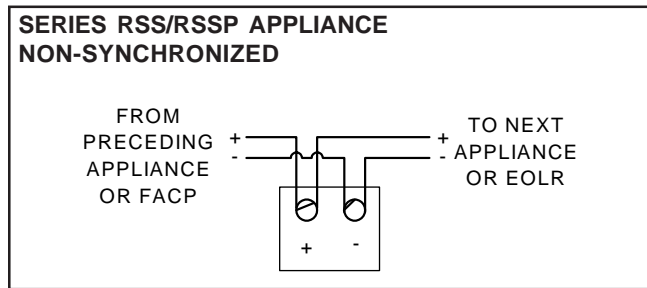
| Product | Series |
|----------------------|-------------------------------|
| Multitone Appliances | AMT, MT |
| Horns | AH, NH |
| Motor Bells | MB-G6/G10 |
| Speakers | ET-1010/1070/1080, E7025/7070 |
| Chimes | CH70 |

WARNING: FOR ULC APPLICATIONS THESE APPLIANCES WERE TESTED TO THE OPERATING VOLTAGE LIMITS OF 20-31 VOLTS/ USING FILTERED (DC) OR UNFILTERED FULL-WAVE RECTIFIED (FWR). APPLY 80% AND 110% OF THESE VALUES FOR SYSTEM OPERATION.

⚠ WARNING: CONTACT WHELOCK FOR THE CURRENT "INSTALLATION INSTRUCTIONS" (P83911) SERIES RSS/RSSP-24MCW, (P84025) SERIES RSS/RSSP SINGLE CANDELA AND "GENERAL INFORMATION" SHEET (P82380) ON THESE PRODUCTS. THESE DOCUMENTS UNDERGO PERIODIC CHANGES. IT IS IMPORTANT THAT YOU HAVE CURRENT INFORMATION ON THESE PRODUCTS. THESE MATERIALS CONTAIN IMPORTANT INFORMATION THAT SHOULD BE READ PRIOR TO SPECIFYING OR INSTALLING THESE PRODUCTS, INCLUDING:

- TOTAL CURRENT REQUIRED BY ALL APPLIANCES CONNECTED TO SYSTEM SECONDARY POWER SOURCES.
- FUSE RATINGS ON NOTIFICATION APPLIANCE CIRCUITS TO HANDLE PEAK CURRENTS FROM ALL APPLIANCES ON THOSE CIRCUITS.
- ADDING, REPLACING OR CHANGING APPLIANCES OR CHANGING CANDELA SETTINGS WILL EFFECT CURRENT DRAW. RECALCULATE CURRENT DRAW TO INSURE THAT THE TOTAL AVERAGE CURRENT AND TOTAL PEAK REQUIRED BY ALL APPLIANCES DO NOT EXCEED THE RATED CAPACITY OF THE POWER SOURCE OR FUSES.
- COMPOSITE FLASH RATE FROM MULTIPLE STROBES WITHIN A PERSON'S FIELD OF VIEW.
- THE VOLTAGE APPLIED TO THESE PRODUCTS MUST BE WITHIN THEIR VOLTAGE RANGE.
- INSTALLATION OF 110 CANDELA STROBE PRODUCTS IN SLEEPING AREAS.
- INSTALLATION IN OFFICE AREAS AND OTHER SPECIFICATION AND INSTALLATION ISSUES.
- USE STROBES ONLY ON CIRCUITS WITH CONTINUOUSLY APPLIED OPERATING VOLTAGE. DO NOT USE STROBES ON CODED OR INTERRUPTED CIRCUITS IN WHICH THE APPLIED VOLTAGE IS CYCLED ON AND OFF AS THE STROBES MAY NOT FLASH.
- FAILURE TO COMPLY WITH THE INSTALLATION INSTRUCTIONS OR GENERAL INFORMATION SHEETS COULD RESULT IN IMPROPER INSTALLATION, APPLICATION, AND/OR OPERATION OF THESE PRODUCTS IN AN EMERGENCY SITUATION, WHICH COULD RESULT IN PROPERTY DAMAGE AND SERIOUS INJURY OR DEATH TO YOU AND/OR OTHERS.
- CONDUCTOR SIZE (AWG), LENGTH AND AMPACITY SHOULD BE TAKEN INTO CONSIDERATION PRIOR TO DESIGN AND INSTALLATION OF THESE PRODUCTS, PARTICULARLY IN RETROFIT INSTALLATIONS.

Wiring Diagrams



For detail using SM or DSM Sync Module refer to Data Sheet S3000C or Installation Instructions P83123 for SM and P83177 for DSM.

Wheelock products must be used within their published specifications and must be PROPERLY specified, applied, installed, operated, maintained and operationally tested in accordance with their installation instructions at the time of installation and at least twice a year or more often and in accordance with local, state and federal codes, regulations and laws. Specification, application, installation, operation, maintenance and testing must be performed by qualified personnel for proper operation in accordance with all of the latest National Fire Protection Association (NFPA), Underwriters' Laboratories (UL), National Electrical Code (NEC), Occupational Safety and Health Administration (OSHA), Canadian Standard for the Installation of Fire Alarm Systems, Canadian Electrical Code Part 1, local, state, county, province, district, federal and other applicable building and fire standards, guidelines, regulations, laws and codes including, but not limited to, all appendices and amendments and the requirements of the local authority having jurisdiction (AHJ).

Architects and Engineers Specifications

The visual notification appliances shall be Wheelock Series RSS/RSSP Strobe Appliances or approved equals. The Series RSS and RSSP shall meet and be ULC Listed under CAN/ULC-S526-02 for Visual Signaling Appliances. The strobe shall be listed for indoor use and shall meet the requirements of FCC Part 15 Class B. The strobe appliance shall produce a flash rate of one (1) flash per second over the Listed Voltage Range of 20 to 31 VDC for 24 volt models and 10.5 to 15.6 VDC for 12 volt models. The notification appliance shall incorporate a Xenon flashtube enclosed in a rugged Lexan® lens. All inputs shall be compatible with standard reverse polarity supervision of circuit wiring by a Fire Alarm Control Panel (FACP).

The Series RSS and RSSP Strobe shall be of low current design. Where Wall mount, Multi-Candela, Strobe Appliances are specified the strobe intensity shall have four (4) field selectable settings and shall be rated per ULC-S526-02 for: 15, 30, 75 and 110 candela. The selector switch for selecting the candela shall be tamper resistant and not accessible from the front of the appliance. The Multi-Candela appliance shall visually show the selected candela in the bottom center of the Lexan® lens enclosure. For ceiling mount applications the strobe shall be a single candela ceiling mount RSS of 15, 30, 75, or 100 candela.

When synchronization is required, the appliance shall be compatible with Wheelock SM, DSM Sync Module(s). The strobes shall not drift out of synchronization at any time during operation. If the sync module(s) fail to operate, (i.e. contacts remain closed), the strobe shall revert to a non-synchronized flash rate. The strobes shall be designed for indoor surface of flush mounting.

The Series RSS Strobe Appliances shall incorporate a Patented, Integral Strobe Mounting Plate that shall allow mounting to single-gang, double-gang, 4-inch square, 100mm European type backboxes, or the SHBB Surface Backbox. If required, an NATP (Notification Appliance Trimplate) shall be provided. An attaching cover plate shall be provided to give the Appliance an attractive appearance. The Appliance shall not have any mounting holes or screw heads visible when the installation is completed.

The Series RSSP Multi-Candela or single candela Strobe Plate shall mount to either a standard 4 inch square backbox for flush mounting, or the Wheelock SBL2 backbox for surface mounting.

All notification appliances shall be backward compatible.

NOTE: Due to continuous development of our products, specifications and offerings are subject to change without notice in accordance with Wheelock, Inc. standard terms and conditions.

Specifications and Ordering Information

| Model | Order Code | Wall Mount | Ceiling Mount | Non-Sync | Sync w/ SM,DSM or PS-12/24-8 | Strobe Candela | 24 VDC | 12 VDC | # Model Color RED | # Model Color WHITE | Mounting Options*** | Square or Round |
|-----------------|------------|------------|---------------|----------|------------------------------|----------------|--------|--------|-------------------|---------------------|-----------------------|-----------------|
| RSS-121575W-FR | 7476 | X | - | X | X | 1575 | - | X | X | - | B,D,E,F,G,H,J,N,O,R,X | Square |
| RSS-121575W-FW | 7468 | X | - | X | X | 1575 | - | X | - | X | B,D,E,F,G,H,J,N,O,R,X | Square |
| RSS-121575W-NW | 9777 | X | - | X | X | 1575 | - | X | - | - | B,D,E,F,G,H,J,N,O,R,X | Square |
| RSS-241575W-FR | 7471 | X | - | X | X | 1575 | X | - | X | - | B,D,E,F,G,H,J,N,O,R,X | Square |
| RSS-241575W-FW | 7788 | X | - | X | X | 1575 | X | - | - | X | B,D,E,F,G,H,J,N,O,R,X | Square |
| RSSP-121575W-FR | 7798 | X | - | X | X | 1575 | - | X | X | - | B,D,E,F,G,H,J,N,O,R,X | Square |
| RSSP-241575W-FR | 7793 | X | - | X | X | 1575 | X | - | X | - | B,D,E,F,G,H,J,N,O,R,X | Square |
| RSSP-241575W-FR | 7992 | X | - | X | X | 1575 | X | - | X | - | B,D,E,F,G,H,J,N,O,R,X | Square |
| RSS-24MCC-FR | 3157 | - | X | X | X | 15/20/75/95 | X | - | X | - | B,D,E,F,G,H,J,N,O,R,X | Square |
| RSS-24MCC-FW | 3158 | - | X | X | X | 15/20/75/95 | X | - | - | X | B,D,E,F,G,H,J,N,O,R,X | Square |
| RSS-24MCC-NW | 3183 | - | X | X | X | 15/20/75/95 | X | - | - | X | B,D,E,F,G,H,J,N,O,R,X | Square |
| RSS-24MCCR-FR | 3159 | - | X | X | X | 15/20/75/95 | X | - | X | - | B,D,E,F,G,H,J,N,O,R,X | Round |
| RSS-24MCCR-FW | 3160 | - | X | X | X | 15/20/75/95 | X | - | - | X | B,D,E,F,G,H,J,N,O,R,X | Round |
| RSS-24MCW-FR | 9400 | X | - | X | X | 15/30/75/110 | X | - | X | - | B,D,E,F,G,H,J,N,O,R,X | Square |
| RSS-24MCW-FW | 9401 | X | - | X | X | 15/30/75/110 | X | - | X | - | B,D,E,F,G,H,J,N,O,R,X | Square |
| RSS-24MCW-NW | 8219 | X | - | X | X | 15/30/75/110 | X | - | X | - | B,D,E,F,G,H,J,N,O,R,X | Square |
| RSS-24MCW-UR | 9774 | X | - | X | X | 15/30/75/110 | X | - | X | - | B,D,E,F,G,H,J,N,O,R,X | Square |
| RSSP-24MCW-FR | 9402 | X | - | X | X | 15/30/75/110 | X | - | X | - | D,E,Z | Square |
| RSSP-24MCW-FW | 9403 | X | - | X | X | 15/30/75/110 | X | - | X | - | D,E,Z | Square |
| RSSP-24MCW-NW | 3188 | X | - | X | X | 15/30/75/110 | X | - | X | - | D,E,Z | Square |
| RSSWP-2475W-FR | 9013 | X | - | X | X | 75 @ -31°F | X | - | X | - | B,D,E,F,G,H,J,N,O,R,X | Square |
| RSSWP-2475W-FW | 3034 | X | - | X | X | 75 @ -31°F | X | - | X | - | B,D,E,F,G,H,J,N,O,R,X | Square |
| RSSWP-2475W-NW | 9778 | X | - | X | X | 75 @ -31°F | X | - | X | - | B,D,E,F,G,H,J,N,O,R,X | Square |

WE SUPPORT AND ENCOURAGE NICET CERTIFICATION

3 YEAR WARRANTY
ASSEMBLED IN THE USA



NATIONAL SALES OFFICE
Canada 800 397-5777
E-mail: Info@wheelockinc.com
<http://www.wheelockinc.com>

Distributed By: