

Thank you for using our products.

**INSTALLATION INSTRUCTIONS
FOUR ZONE SPLITTER
(FOR SINGLE CIRCUIT SAFEPATH PANELS)**

Use this product according to this instruction manual. Please keep this instruction manual for future reference.

MODEL NUMBERS:

- SC-SPL-B Single Circuit Splitter - Black
- SC-SPL-R Single Circuit Splitter - Red

GENERAL:

The Four Zone Splitter is designed to be used with Wheelock's Single Circuit SAFEPATH panel and it provides a means for expanding the number of supervised audio output zones from one to four. The Four Zone Splitters are UL Listed under Standard 864, Control Units for Fire Protective Signaling Systems. They are listed for indoor use only. Only 1 Four Zone Splitter can be connected to the Single Circuit SAFEPATH panel. It is to be mounted inside the Single Circuit SAFEPATH panel enclosure onto the printed circuit board (PCB) cover. The splitter works with all of the Wheelock amplifier modules. If the splitter is used with a power amplifier, the maximum power per zone cannot exceed what is listed in Table 1.

SPECIFICATIONS:

<i>Table 1.</i>			
Audio Output Voltage	25.0V	70.7V	100.0V
Maximum Output Power Per Zone	25.0W	70.0W	100.0W

MOUNTING INSTRUCTIONS:

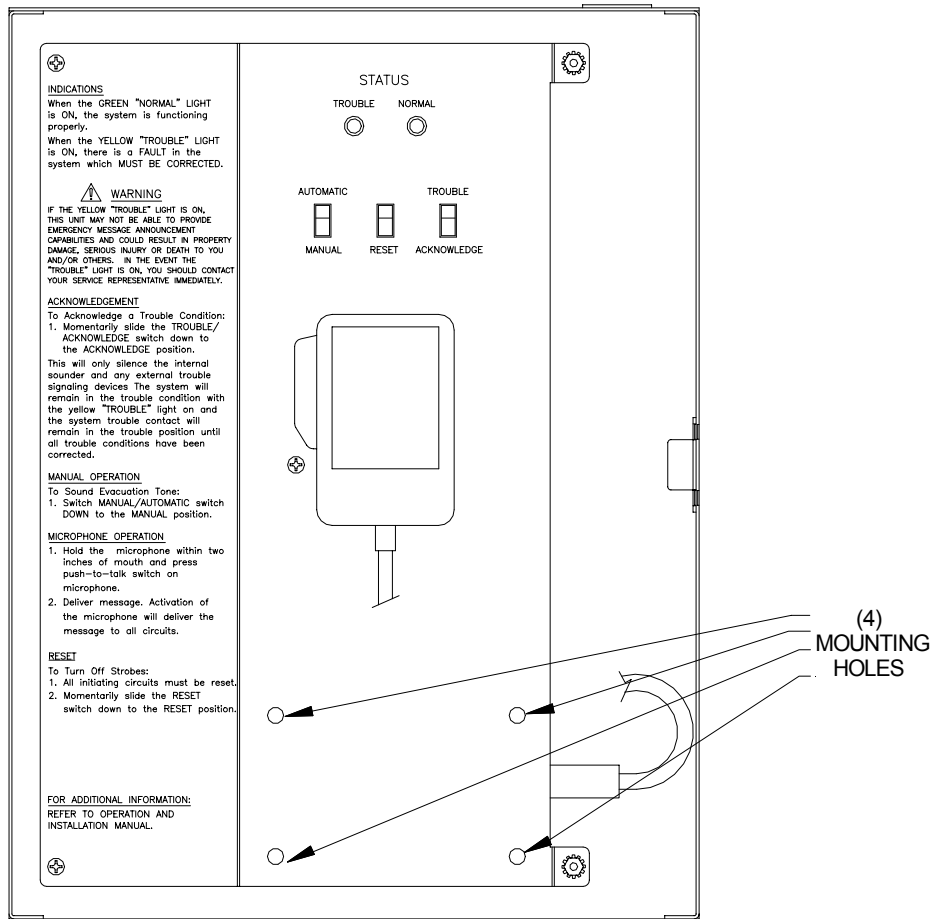


Figure 1.

1. Attach the 4 male PCB standoffs to the 4 mounting holes in the Single Circuit SAFEPATH PCB cover (see Figure 1) by pushing standoff into the hole until it locks into place as shown in Figure 2.
2. Place the Four Zone Splitter PCB on to the threaded stud portion of the PCB standoffs so that the studs mate with the mounting holes on the PCB as shown in Figure 2.
3. Attach the hex standoffs to the PCB standoffs to secure the PCB to the Single Circuit SAFEPATH PCB cover.
4. Attach the Four Zone Splitter cover to the hex standoffs using the 4 mounting screws.

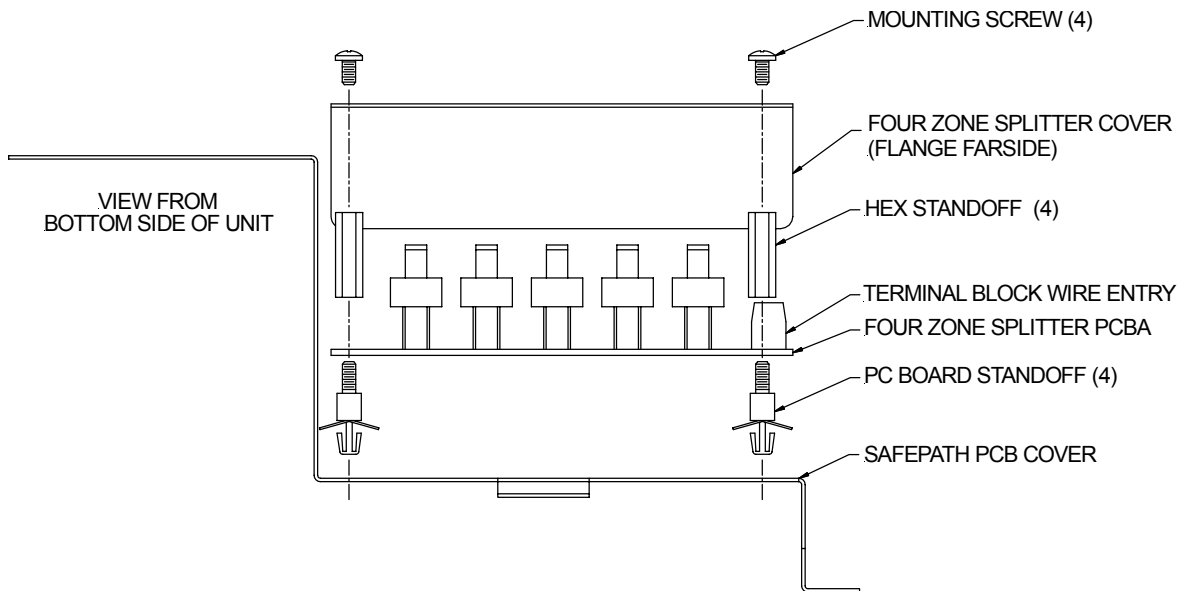


Figure 2.

WIRING INSTRUCTIONS:

1. See Figure 3 for wiring diagram.
2. See Figure 4 or the Four Zone Splitter cover silkscreen for terminal block wiring designations.

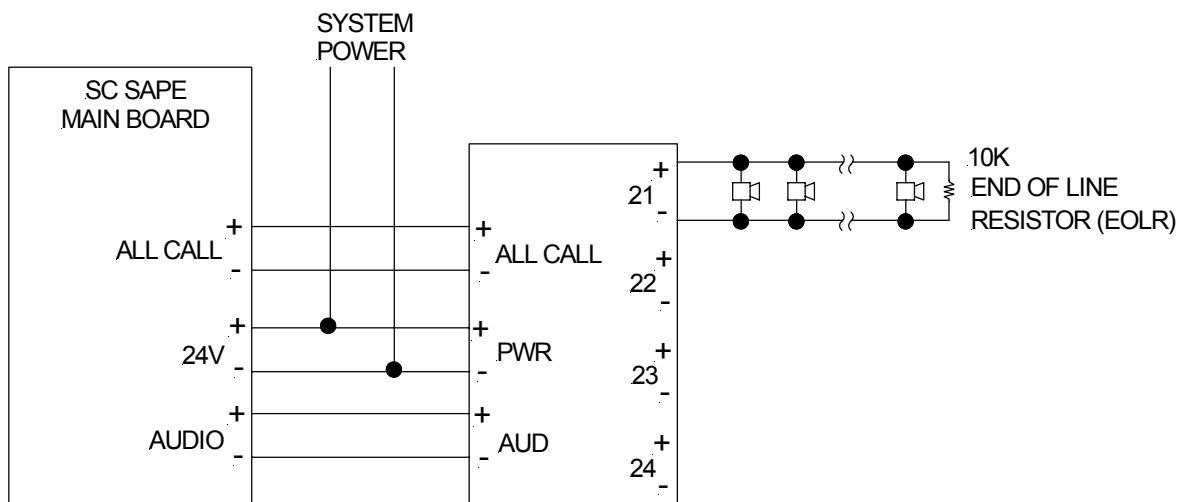


Figure 3.

WIRING SPECIFICATIONS:

Cable Size: 14-22 AWG

OPERATING INSTRUCTIONS:

When making a live emergency announcement from the Single Circuit SAFEPATH panel, use the Four Zone Splitter's four zone ON/OFF switches to select the zones to which the audio will be broadcast or use the ALL CALL switch to select all of the zones. To select a zone, slide the zone ON/OFF switch up to the on position (Figure 4). The ZONE SELECT LED associated with the zone switch will be lit if the zone is selected. The ZONE ALARM LED's indicate to which zones audio is currently being broadcast. **The splitter will allow zone selection of live announcements only.** Automatic or manual alarm operation will be through all zones.

The splitter detects audio wiring faults (opens and shorts) in the non-alarm mode only. During alarm paging the splitter allows the selection of any or all zone outputs. The ALL CALL switch overrides all zone selections. To initiate ALL CALL, slide the ALL CALL switch up to the on position. If there is a trouble in the output wiring or a trouble in the four zone splitter circuit, the trouble condition will be reported to the amplifier card as a speaker wiring trouble and its "SPK" LED will be lit.

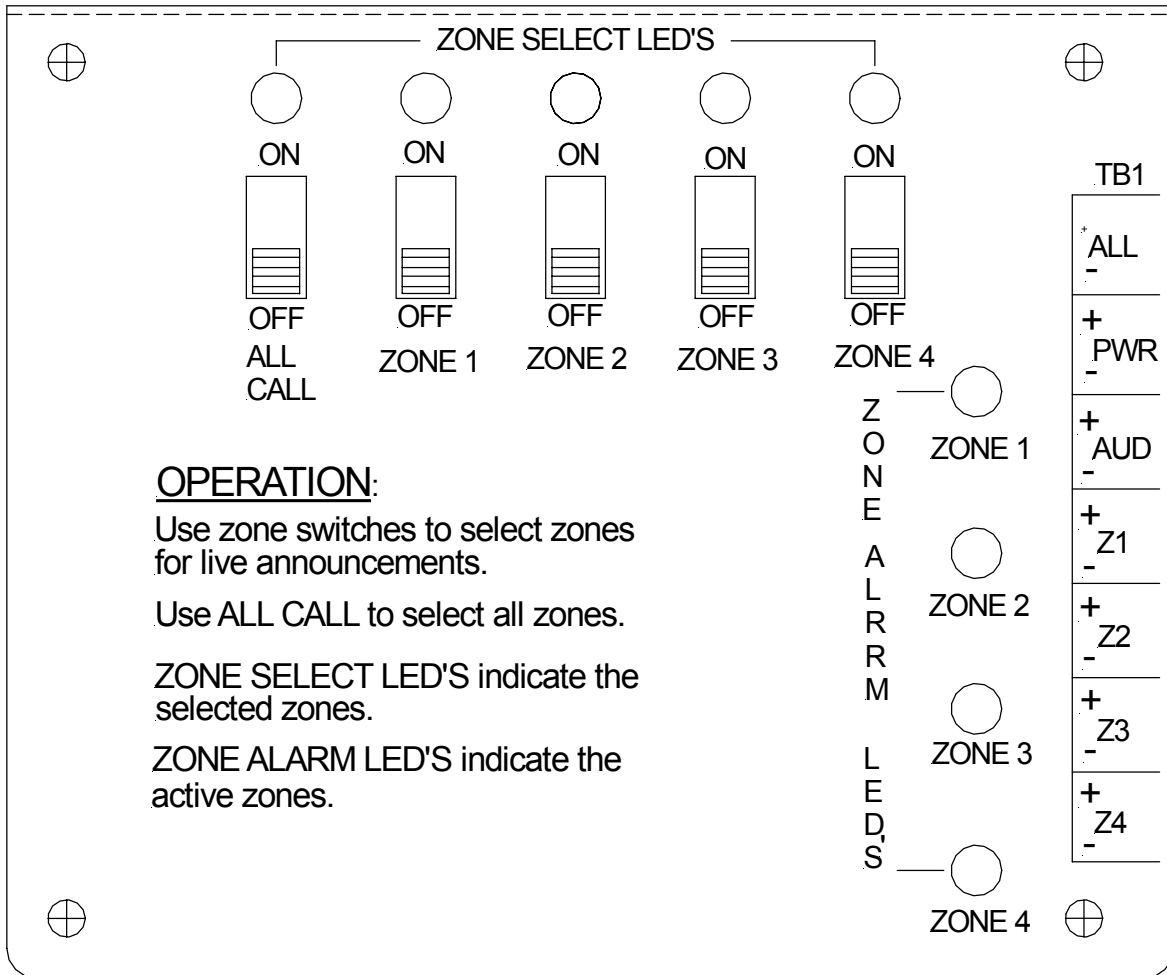


Figure 4.

TROUBLESHOOTING PROCEDURES:

1. Be sure the unit is in a standby, non-alarm mode.
2. Verify that all wiring is correct.
3. To verify that the system trouble is caused by the splitter or the audio output wiring:
 Measure the DC voltage at the AUD± terminals. If it is -12VDC ±1V, the trouble is caused by something else in the system (See Single Circuit SAFEPATH instruction manual for more troubleshooting procedures.) If it is -4VDC ±1V, the trouble is caused by the audio output wiring from the splitter.
4. Measure the DC voltage at the zone outputs ± terminals of the four zones of the splitter. If it is -12VDC ±1V, the zone does not have a wiring fault. If it is -24VDC ±1V, the trouble is an open in the audio wiring or a missing end-of-line resistor. If it is 0VDC, the trouble is a short in the audio wiring.

Limited Warranty

Wheelock products must be used within their published specifications and must be PROPERLY specified, applied, installed, operated, maintained and operationally tested in accordance with these instructions at the time of installation and at least twice a year or more often and in accordance with local, state and federal codes, regulations and laws. Specification, application, installation, operation, maintenance and testing must be performed by qualified personnel for proper operation in accordance with all of the latest National Fire Protection Association (NFPA), Underwriters' Laboratories (UL), Underwriters' Laboratories of Canada (ULC), National Electrical Code (NEC), Occupational Safety and Health Administration (OSHA), local, state, county, province, district, federal and other applicable building and fire standards, guidelines, regulations, laws and codes including, but not limited to, all appendices and amendments and the requirements of the local authority having jurisdiction (AHJ). Wheelock products when properly specified, applied, installed, operated, maintained and operationally tested as provided above are warranted against mechanical and electrical defects for a period of three years from date of manufacture (as determined by date code). Correction of defects by repair or replacement shall be at Wheelock's sole discretion and shall constitute fulfillment of all obligations under this warranty. THE FOREGOING LIMITED WARRANTY SHALL IMMEDIATELY TERMINATE IN THE EVENT ANY PART NOT FURNISHED BY WHEELOCK IS INSTALLED IN THE PRODUCT. THE FOREGOING LIMITED WARRANTY SPECIFICALLY EXCLUDES ANY SOFTWARE REQUIRED FOR THE OPERATION OF OR INCLUDED IN A PRODUCT. WHEELOCK MAKES NO REPRESENTATION OR WARRANTY OF ANY OTHER KIND, EXPRESS, IMPLIED OR STATUTORY WHETHER AS TO MERCHANTABILITY, FITNESS FOR A PARTICULAR PURPOSE OR ANY OTHER MATTER.

USERS ARE SOLELY RESPONSIBLE FOR DETERMINING WHETHER A PRODUCT IS SUITABLE FOR THE USER'S PURPOSES, OR WHETHER IT WILL ACHIEVE THE USER'S INTENDED RESULTS. THERE IS NO WARRANTY AGAINST DAMAGE RESULTING FROM MISAPPLICATION, IMPROPER SPECIFICATION, ABUSE, ACCIDENT OR OTHER OPERATING CONDITIONS BEYOND WHEELOCK'S CONTROL.

SOME WHEELOCK PRODUCTS CONTAIN SOFTWARE. WITH RESPECT TO THOSE PRODUCTS, WHEELOCK DOES NOT WARRANT THAT THE OPERATION OF THE SOFTWARE WILL BE UNINTERRUPTED OR ERROR-FREE OR THAT THE SOFTWARE WILL MEET ANY OTHER STANDARD OF PERFORMANCE, OR THAT THE FUNCTIONS OR PERFORMANCE OF THE SOFTWARE WILL MEET THE USER'S REQUIREMENTS. WHEELOCK SHALL NOT BE LIABLE FOR ANY DELAYS, BREAKDOWNS, INTERRUPTIONS, LOSS, DESTRUCTION, ALTERATION, OR OTHER PROBLEMS IN THE USE OF A PRODUCT ARISING OUT OF OR CAUSED BY THE SOFTWARE.

THE LIABILITY OF WHEELOCK ARISING OUT OF THE SUPPLYING OF A PRODUCT, OR ITS USE, WHETHER ON WARRANTIES, NEGLIGENCE, OR OTHERWISE, SHALL NOT IN ANY CASE EXCEED THE COST OF CORRECTING DEFECTS AS STATED IN THE LIMITED WARRANTY AND UPON EXPIRATION OF THE WARRANTY PERIOD ALL SUCH LIABILITY SHALL TERMINATE. WHEELOCK IS NOT LIABLE FOR LABOR COSTS INCURRED IN REMOVAL, REINSTALLATION OR REPAIR OF THE PRODUCT BY ANYONE OTHER THAN WHEELOCK OR FOR DAMAGE OF ANY TYPE WHATSOEVER, INCLUDING BUT NOT LIMITED TO, LOSS OF PROFIT OR INCIDENTAL OR CONSEQUENTIAL DAMAGES. THE FOREGOING SHALL CONSTITUTE THE SOLE REMEDY OF THE PURCHASER AND THE EXCLUSIVE LIABILITY OF WHEELOCK.

IN NO CASE WILL WHEELOCK'S LIABILITY EXCEED THE PURCHASE PRICE PAID FOR A PRODUCT.

Limitation of Liability

WHEELOCK'S LIABILITY ON ANY CLAIM OF ANY KIND, INCLUDING NEGLIGENCE AND BREACH OF WARRANTY, FOR ANY LOSS OR DAMAGE RESULTING FROM, ARISING OUT OF, OR CONNECTED WITH THIS CONTRACT, OR FROM THE MANUFACTURE, SALE, DELIVERY, RESALE, REPAIR OR USE OF ANY PRODUCT COVERED BY THIS ORDER SHALL BE LIMITED TO THE PRICE APPLICABLE TO THE PRODUCT OR PART THEREOF WHICH GIVES RISE TO THE CLAIM. WHEELOCK'S LIABILITY ON ANY CLAIM OF ANY KIND SHALL CEASE IMMEDIATELY UPON THE INSTALLATION IN THE PRODUCT OF ANY PART NOT FURNISHED BY WHEELOCK. IN NO EVENT SHALL WHEELOCK BE LIABLE FOR ANY CLAIM OF ANY KIND UNLESS IT IS PROVEN THAT OUR PRODUCT WAS A DIRECT CAUSE OF SUCH CLAIM. FURTHER, IN NO EVENT, INCLUDING IN THE CASE OF A CLAIM OF NEGLIGENCE, SHALL WHEELOCK BE LIABLE FOR INCIDENTAL OR CONSEQUENTIAL DAMAGES. SOME STATES DO NOT ALLOW THE EXCLUSION OR LIMITATION OF INCIDENTAL OR CONSEQUENTIAL DAMAGES, SO THE PRECEDING LIMITATION MAY NOT APPLY TO ALL PURCHASERS.