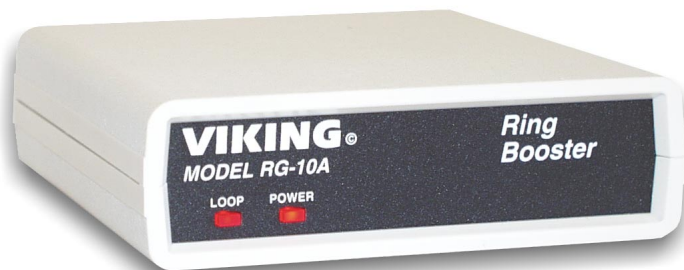


Boost Ringing Power to up to Fifteen Additional Phones



The **RG-10A** ring generator is designed to increase the ringing power of an existing telephone line, PABX extension, or any other telecom device which provides ringing.

The **RG-10A** duplicates the incoming ring frequency and cadence allowing it to be compatible with custom ringing features.

The **RG-10A** is capable of ringing fifteen standard (1 REN) telephones and does not affect normal operation of the telephone line or features provided by the phone company, such as caller ID and call waiting. Multiple **RG-10A**'s may be used for even higher drive output.

<http://www.VikingElectronics.com>

[E-mail...Sales@Viking Electronics.com](mailto:Sales@VikingElectronics.com)

Features

- Boosts ring to 15 REN
- Caller ID compatible
- Easy modular installation
- Compatible with distinctive ringing services
- Will not affect normal line operation
- Reshapes troublesome square wave ringing
- Made in the USA
- 1 year warranty

Sales...(715) 386 - 8861

Made in the U.S.A.

Applications

- Boost ringing power out of Analog ISDN Terminal Adapter Ports
- Use with **Viking's** doorboxes to increase the number of phones they can ring
- Boost ring power on telephone lines or analog PABX/KSU stations that are weak or fail
- Reshapes troublesome square wave ringing from equipment, such as automatic fax switches

Specifications

Power: 120V AC/ 13.8VAC 1.25 UL listed adapter provided

Dimensions: 127mm x 127mm x 38mm (5" x 5" x 1.5")

Shipping Weight: 1.2 kg (2.8 lb.)

Environmental: 0°C to 32°C (32°F to 90°F) with 5% to 95% non-condensing humidity

Incoming Ring Detection: 40-150 VAC

Ring Generator: 90 VAC nominal, 15 REN maximum load

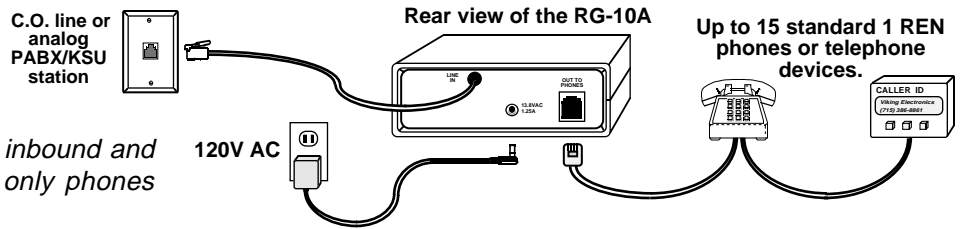
Ringwave Shape: Saw tooth ring wave

Connections: (1) RJ11 plug, (1) RJ11 jack

Installation

1. Disconnect the phones from the C.O. line and connect the phones to the modular jack labeled "OUT TO PHONES."
2. Connect the modular cord labeled "LINE IN" to the C.O. line.
3. Plug-in the AC power supply.

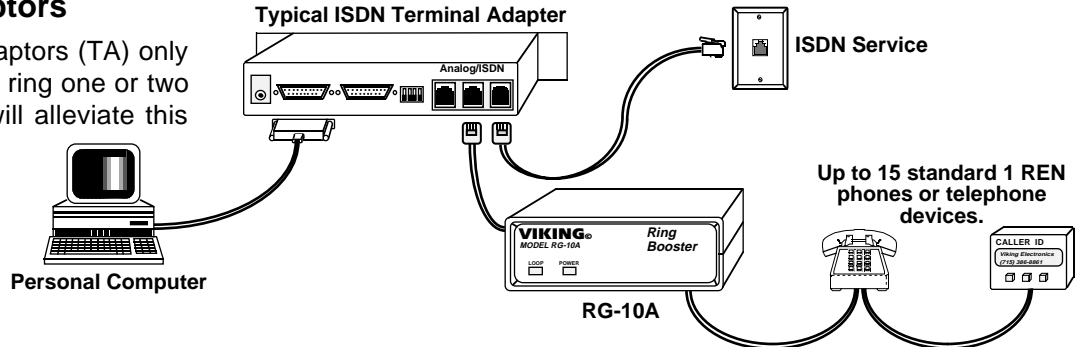
Note: In the event of a power outage, inbound and outbound calls are possible, although only phones installed ahead of the **RG-10A** will ring.



Applications

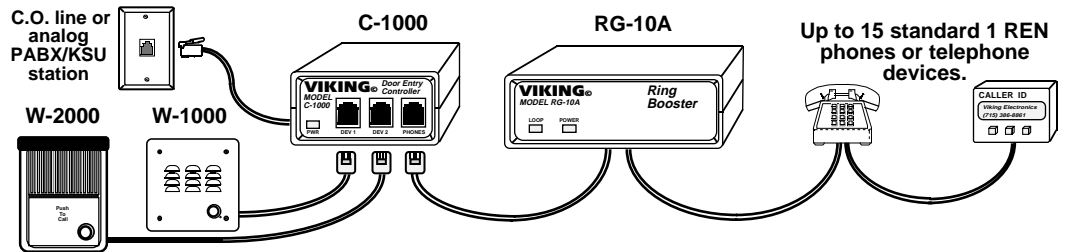
A. ISDN Terminal Adaptors

Many ISDN Terminal Adaptors (TA) only provide enough power to ring one or two phones. The **RG-10A** will alleviate this problem by boosting the ring voltage to additional devices.



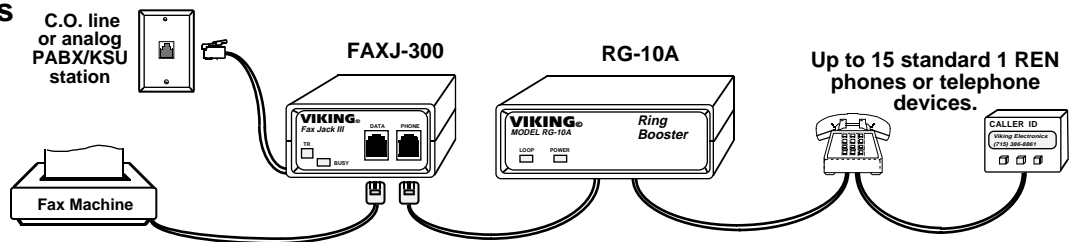
B. Door Boxes

Boost the ringing power of the **Viking** doorboxes, when used with a **C-1000** controller on residential systems (Fax Back Document 175).



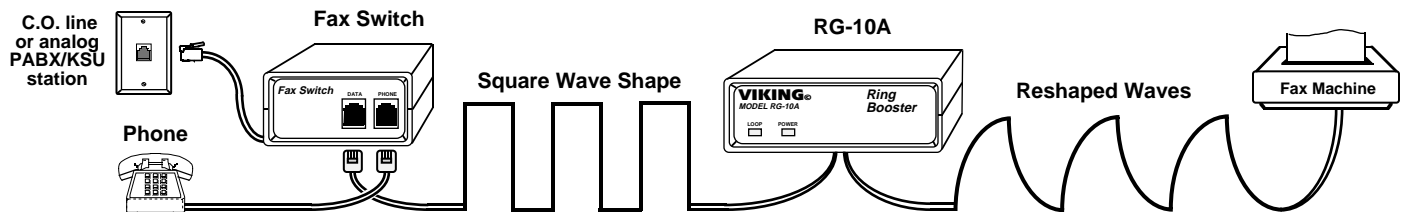
C. Line Sharing Devices

Boost the ringing power of line sharing devices, such as the **FAXJ-300** or **PDF-2** (Fax Back Documents 260 and 265).



D. Reshape Square Wave Ringing

Some ring generators, in equipment such as fax switches, generate square ring waves that are difficult for other devices to detect. The **RG-10A** detects and converts this ring wave to a "saw tooth" shape that nearly all equipment can detect.



Product Support Line...(715) 386-8666

Fax Back Line...(715) 386-4345

Due to the dynamic nature of the product design, the information contained in this document is subject to change without notice. Viking Electronics, its affiliates and/or subsidiaries assume no responsibility for errors and/or omissions contained in this information. Revisions of this document or new editions of it may be issued to incorporate such changes.