

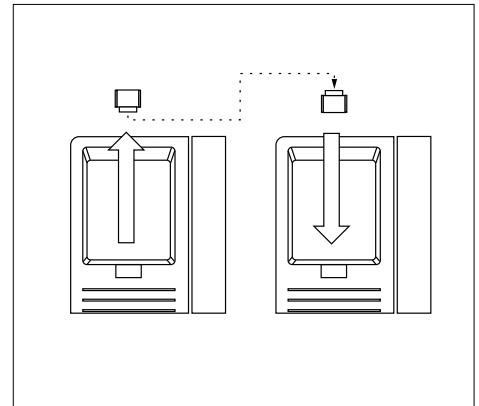
Wall Mount Installation Instructions for PARTNER Endeavor Systems

Lucent Technologies
Bell Labs Innovations

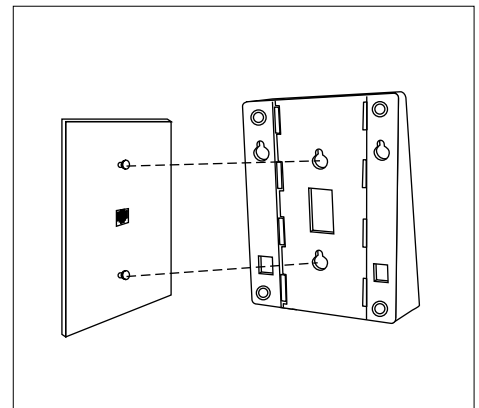


Wall mounting instructions apply only to PARTNER Endeavor-model phones. For all other system phones, follow the instructions provided with the phone.

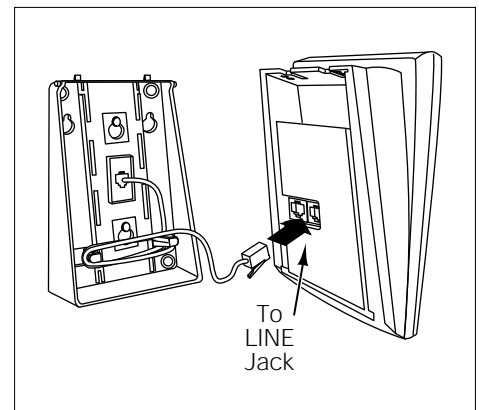
- 1** Reverse the plastic hook that sits in the earpiece part of the handset cradle.



- 2** Holding the wall mount with the wide edge down, mount it on the wall plate, aligning the keyholes on the base of the wall mount to the wall plate. For proper mounting, the wall plate must be a Lucent Technologies 630B connecting block.

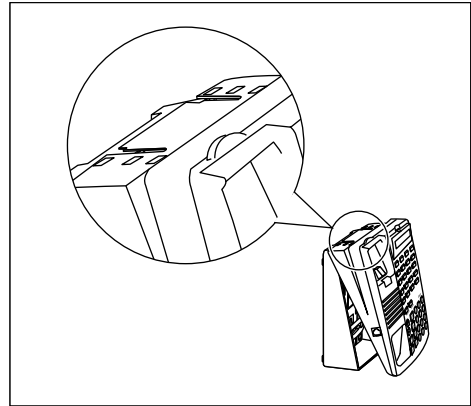


- 3**
- A) Plug one end of the telephone cord into the jack in the center of the wall plate.
 - B) Plug the other end of the telephone cord into the LINE jack on the bottom of the telephone.
 - C) Wrap any excess cord around the cord wrap posts on the bottom inside of the stand.



4

- A) To mount the phone, insert the tabs on the top of the wall mount into the *middle* set of notches on the top edge of the phone.
- B) Make sure the telephone cord is neatly wrapped inside the phone, then rotate the phone down until the bottom edge snaps into position.



5

- A) Remove the plastic cover from the phone. Label the button sheet to show any programmed lines or button features, then place the button sheet on the phone so the holes fit over the buttons. Carefully replace the plastic cover.
- B) Make sure the swivel display is set to the lowest position.

