



**DSU III ARdc**  
**Data Service Unit**

**USER MANUAL**

61200270L1-1A  
September 1998

**Trademark:**

Hayes is a registered trademark of Hayes Microcomputer Products, Inc.

**ADTRAN**

901 Explorer Boulevard  
P.O. Box 140000  
Huntsville, AL 35814-4000  
Phone: (256) 963-8000  
© 1998 ADTRAN, Inc.  
All rights reserved.  
Printed in USA.

**FCC regulations require that the following information be provided in this manual:**

1. This equipment complies with Part 68 of the FCC rules. On the bottom of the equipment housing is a label that shows the FCC registration number and Ringer Equivalence Number (REN) for this equipment. If requested, provide this information to the telephone company.
2. If this equipment causes harm to the telephone network, the telephone company may temporarily discontinue service. If possible, advance notification is given; otherwise, notification is given as soon as possible. The telephone company will advise the customer of the right to file a complaint with the FCC.
3. The telephone company may make changes in its facilities, equipment, operations, or procedures that could affect the proper operation of this equipment; advance notification and the opportunity to maintain uninterrupted service is given.
4. If experiencing difficulty with this equipment, please contact ADTRAN for repair and warranty information. The telephone company may require this equipment to be disconnected from the network until the problem is corrected or it is certain the equipment is not malfunctioning.
5. This unit contains no user serviceable parts.
6. An FCC compliant telephone cord with a modular plug is provided with this equipment. This equipment is designed to be connected to the telephone network or premises wiring using an FCC compatible modular jack, which is Part 68 compliant.
7. The following information may be required when applying to the local telephone company for leased line facilities.

<b>Service Type</b>	<b>Digital Facility Interface Code</b>	<b>Service Order Code</b>	<b>Network Jacks</b>
2.4 kbps Digital Interface	04DU5-24	6.0F	RJ-48S
4.8 kbps Digital Interface	04DU5-48	6.0F	RJ-48S
9.6 kbps Digital Interface	04DU5-96	6.0F	RJ-48S
19.2 kbps Digital Interface	04DU5-19	6.0F	RJ-48S
38.4 kbps Digital Interface	04DU5-38	6.0F	RJ-48S
56 kbps Digital Interface	04DU5-56	6.0F	RJ-48S
64 kbps Digital Interface	04DU5-64	6.0F	RJ-48S
PSDS Type 1	04DU5-56B	6.0F	RJ-48S

## FEDERAL COMMUNICATIONS COMMISSION RADIO FREQUENCY INTERFERENCE STATEMENT

This equipment has been tested and found to comply with the limits for a Class B digital device, pursuant to Part 15 of the FCC Rules. These limits are designed to provide reasonable protection against harmful interference in a residential environment. This equipment generates, uses, and can radiate radio frequency energy and, if not installed and used in accordance with the instructions, may cause harmful interference to radio frequencies. Operation of this equipment in a residential area is likely to cause harmful interference in which case the user will be required to correct the interference at his own expense.

Shielded cables must be used with this unit to ensure compliances with Class A FCC limits.

**WARNING**

*Changes or modifications to this unit not expressly approved by ADTRAN will void the user's authority to operate the equipment.*

## CANADIAN EMISSIONS REQUIREMENTS

This digital apparatus does not exceed the Class B limits for radio noise emissions from digital apparatus as set out in the interference-causing equipment standard entitled "Digital Apparatus," ICES-003 of the Department of Communications.

Cet appareil numérique respecte les limites de bruits radioélectriques applicables aux appareils numériques de Class B prescrites dans la norme sur le matériel brouilleur: "Appareils Numériques," NMB-003 édictée par le ministre des Communications.

## CANADIAN EQUIPMENT LIMITATIONS

Notice: The Canadian Industry and Science Canada label identifies certified equipment. This certification means that the equipment meets certain telecommunications network protective, operational, and safety requirements. The Department does not guarantee the equipment will operate to the user's satisfaction.

Before installing this equipment, ensure that it is permissible to be connected to the facilities of the local telecommunications company. The equipment must also be installed using an acceptable method of connection. In some cases, the company's inside wiring associated with a single-line individual service may be extended by means of a certified connector assembly (telephone extension cord). Compliance with the above conditions may not prevent degradation of service in some situations.

Repairs to certified equipment should be made by an authorized Canadian maintenance facility designated by the supplier. Any repairs or alterations made by the user to this equipment, or equipment malfunctions, may give the telecommunications company cause to request the user to disconnect the equipment.

Users should ensure for their own protection that the electrical ground connections of the power utility, telephone lines, and internal metallic water pipe system, if present, are connected together. This precaution may be particularly important in rural areas.



*Users should not attempt to make such connections themselves, but should contact the appropriate electric inspection authority, or an electrician, as appropriate.*

The **Load Number** (LN) assigned to each terminal device denotes the percentage of the total load to be connected to a telephone loop which is used by the device, to prevent overloading. The termination on a loop may consist of any combination of devices subject only to the requirement that the total of the Load Numbers of all devices does not exceed 100.

## **IMPORTANT SAFETY INSTRUCTIONS**

When using your telephone equipment, please follow these basic safety precautions to reduce the risk of fire, electrical shock, or personal injury:

1. Do not use this product near water, such as near a bath tub, wash bowl, kitchen sink, laundry tub, in a wet basement, or near a swimming pool.
2. Avoid using a telephone (other than a cordless-type) during an electrical storm. There is a remote risk of shock from lightning.
3. Do not use the telephone to report a gas leak in the vicinity of the leak.
4. Use only the power cord, power supply, and/or batteries indicated in the manual. Do not dispose of batteries in a fire. They may explode. Check local codes for any special disposal instructions.

**SAVE THESE INSTRUCTIONS!**

# Table of Contents

---

<b>Chapter 1 Introduction</b> .....	<b>1-1</b>
Product Overview .....	1-1
DDS Overview .....	1-2
4-Wire Switched 56 Overview .....	1-2
Warranty and Customer Service.....	1-3
<b>Chapter 2 Installation</b> .....	<b>2-1</b>
Unpack, Inspect, Power Up .....	2-1
Receipt Inspection .....	2-1
Equipment Provided .....	2-1
Power Up.....	2-1
Network Interface Connection .....	2-2
DTE Data Connection/Primary DTE.....	2-2
Configuration.....	2-4
Configuration Methods .....	2-5
AT Commands.....	2-5
V.25 bis Commands .....	2-6
SDLC Option .....	2-6
Character Format .....	2-6
Command Structure .....	2-7
Bi-Sync Option .....	2-7
Character Format .....	2-7
Command Structure .....	2-7
Asynchronous Option .....	2-7
Character Format .....	2-7
Command Structure .....	2-7
Command Descriptions .....	2-7
Syntax and Possible Responses .....	2-9
CIC (Connect Incoming Call).....	2-9
CNL (Configuration Local) .....	2-9
CNR (Configuration Remote) .....	2-9
Switched 56 Operation .....	2-10
CRN (Call Request with Number) .....	2-10

Table of Contents

---

CRS (Call Request Using Stored Number).....	2-10
DIC (Disregard Incoming Call).....	2-10
PRN (Program Number).....	2-10
RLN (Request List of Numbers) .....	2-11
<b>Chapter 3 Operation .....</b>	<b>3-1</b>
Menu Structure.....	3-1
LCD Display of the Main Menu .....	3-1
Main Menu .....	3-1
Status .....	3-1
Test.....	3-2
Configuration (CONFIG).....	3-2
Dial.....	3-2
Basic Menu Travel.....	3-3
Front Panel .....	3-4
LCD Window .....	3-4
Enter.....	3-4
Up and Down Arrows.....	3-5
Cancel .....	3-5
Numeric Keypad.....	3-5
Shift .....	3-5
Quick.....	3-5
LED Description.....	3-6
Rear Panel.....	3-6
<b>Chapter 4 Configuration Overview .....</b>	<b>4-1</b>
Local and Remote Configuration.....	4-1
<b>Chapter 5 Configuring Network Options .....</b>	<b>5-1</b>
Network Options.....	5-1
Loop Rate.....	5-1
Network Address .....	5-3
Remote Configuration .....	5-3
Network Type .....	5-4
Clock Source.....	5-5
<b>Chapter 6 Configuring DTE Options .....</b>	<b>6-1</b>
DTE Options .....	6-1
DTE Rate .....	6-1
Connector Type .....	6-4



---

Data Format.....	6-5
DTE Command Option.....	6-6
Transmit Clock.....	6-7
CS Options.....	6-8
Anti-Stream .....	6-10
CD Options.....	6-12
TR Options.....	6-13
SR Options.....	6-14
<b>Chapter 7 Configuring Test Options.....</b>	<b>7-1</b>
Test Options .....	7-1
Test Timeout.....	7-1
Remote Digital Loopback.....	7-2
EIA Local Loopback.....	7-2
EIA Remote Loopback .....	7-3
<b>Chapter 8 Configuring Dial Options.....</b>	<b>8-1</b>
Dial Options .....	8-1
Phone Number.....	8-1
Auto Answer .....	8-2
<b>Chapter 9 Manual Command.....</b>	<b>9-1</b>
Manual Command .....	9-1
<b>Chapter 10 Dial Selection .....</b>	<b>10-1</b>
Dial Options .....	10-1
Dial Stored # .....	10-1
Enter Dial # .....	10-2
Redial Last # .....	10-2
<b>Chapter 11 Testing and Troubleshooting.....</b>	<b>11-1</b>
TEST OVERVIEW .....	11-1
Initiating a Test .....	11-2
Test Status Display .....	11-2
Exiting a Test.....	11-3
Troubleshooting .....	11-5
Messages from the DSU/CSU.....	11-5
Troubleshooting New Installs .....	11-7
Troubleshooting New Installs or Existing Circuits .....	11-8
Local Unit diagnostics .....	11-9

Table of Contents

---

DTE & Loop (LL) .....	11-10
Test Description .....	11-10
Test Purpose .....	11-11
Initiating .....	11-11
Interpreting Test Results .....	11-12
Loop Only (RT) .....	11-12
Test Purpose .....	11-12
Initiating .....	11-12
Interpreting Test Results .....	11-13
DTE Only .....	11-13
Test Purpose .....	11-14
Initiating .....	11-14
Interpreting Test Results .....	11-15
DTE With Test Pattern.....	11-15
Test Purpose .....	11-15
Initiating .....	11-15
Interpreting Test Results .....	11-16
Test Pattern.....	11-16
Test Purpose .....	11-17
Initiating .....	11-17
Interpreting Test Results .....	11-18
Self Test.....	11-18
Test Purpose .....	11-18
Initiating .....	11-18
Interpreting Test Results .....	11-19
Remote Unit Diagnostics.....	11-19
Test Purpose .....	11-20
Initiating .....	11-20
Test Results .....	11-21
Interpreting Test Results .....	11-21
<b>Chapter 12 Status Selection.....</b>	<b>12-1</b>
STATUS display .....	12-1
DSU Operational Status.....	12-2
DATA MODE.....	12-2
UNIT IN TEST.....	12-2
DTE COMMAND MODE.....	12-2
IDLE.....	12-2
INCOMING CALL.....	12-2
DIALING.....	12-2

---

DDS Network Status.....	12-2
LOOP IS NORMAL .....	12-2
OPEN LOOP .....	12-3
NO RX SIGNAL .....	12-3
CHECK TELCO LINE.....	12-3
OOS/OOF FROM NET .....	12-3
NO FRAME SYNC.....	12-3
TEST FROM TELCO.....	12-3
RATE ADAPTING.....	12-3
ANSWERING CALL.....	12-3
NO WINK FROM CO .....	12-3
CALL DISCONNECT.....	12-4
Network Rate .....	12-4
DTE Rate/Mode .....	12-4
DTE Control Leads and Status .....	12-4
<b>Appendix A AT Commands .....</b>	<b>A-1</b>
<b>Appendix B Default Configuration Profiles .....</b>	<b>B-1</b>
<b>Appendix C DSU-to-Modem Interconnect .....</b>	<b>C-1</b>
<b>Appendix D EIA-232 Connector .....</b>	<b>D-1</b>
<b>Appendix E Specifications Summary .....</b>	<b>E-1</b>

## Table of Contents

---

# List of Figures

---

Figure 1-1.	Sample Point-to-Point Application for DSU III ARdc .....	1-2
Figure 3-1.	Example of Basic Menu Travel .....	3-4
Figure 3-2.	DSU III ARdc Front View .....	3-4
Figure 3-3.	DSU III ARdc Rear View .....	3-7
Figure 4-1.	Complete Configuration Menu .....	4-3
Figure 5-1.	Setting Loop Rate Options .....	5-2
Figure 5-2.	Setting the Network Address .....	5-3
Figure 5-3.	Enabling/Disabling Remote Configuration .....	5-4
Figure 5-4.	Setting Network Type Options.....	5-5
Figure 5-5.	Setting the Clock Source .....	5-6
Figure 6-1.	DTE Rates for 56 or 64 kbps Loop Rate .....	6-1
Figure 6-2.	DTE Rates for Loop Rates of 2.4, 9.6, 19.2, and 38.4 kbps.....	6-3
Figure 6-3.	Selecting the Connector Type .....	6-4
Figure 6-4.	Selecting Data Format.....	6-5
Figure 6-5.	Selecting DTE Command Option.....	6-6
Figure 6-6.	Transmit Clock Options .....	6-7
Figure 6-7.	Selecting CS Options.....	6-8
Figure 6-8.	Anti-Stream Options .....	6-11
Figure 6-9.	Selecting CD Options.....	6-12
Figure 6-10.	Selecting TR Options.....	6-13
Figure 6-11.	Setting SR Options.....	6-14
Figure 7-1.	Setting Test Timeout Option.....	7-1
Figure 7-2.	Remote Digital Loopback.....	7-2
Figure 7-3.	EIA Local Loopback Options.....	7-3
Figure 7-4.	EIA Remote Loopback Options .....	7-4
Figure 8-1.	Editing Stored Phone Numbers .....	8-1
Figure 8-2.	Enabling/Disabling the Auto Answer Function .....	8-2
Figure 9-1.	Manual Commands.....	9-2
Figure 10-1.	Dial Options Menu.....	10-1
Figure 10-2.	Path to Storing Numbers Option .....	10-2
Figure 11-1.	Normal Operation Before Initiating Loopback Test.....	11-1
Figure 11-2.	Initiating a Test .....	11-2

List of Figures

---

Figure 11-3.	Sample Test Status Displays .....	11-3
Figure 11-4.	Complete Test Menu.....	11-4
Figure 11-5.	DTE & Loop Test .....	11-11
Figure 11-6.	Initiating a DTE & Loop Test.....	11-11
Figure 11-7.	Loop Only Test .....	11-12
Figure 11-8.	Initiating a Loop Only Test .....	11-13
Figure 11-9.	DTE Only Test Diagram .....	11-14
Figure 11-10.	Initiating a DTE Only Test .....	11-14
Figure 11-11.	DTE with Test Pattern.....	11-15
Figure 11-12.	Initiating a DTE Test with Test Pattern.....	11-16
Figure 11-13.	Test Pattern Only.....	11-17
Figure 11-14.	Initiating a Test Using a Test Pattern .....	11-18
Figure 11-15.	Initiating a Self Test.....	11-19
Figure 11-16.	V.54 RDL with Test Pattern .....	11-20
Figure 11-17.	Initiating a Remote Test.....	11-20
Figure 12-1.	Examples of Status Displays.....	12-1
Figure C-1.	DSU to Modem Interconnect .....	C-1
Figure D-1.	EIA-232 Connector .....	D-1

# List of Tables

---

Table 2-1.	Pin Assignments for Telco Connector .....	2-2
Table 2-2.	Pin Assignments for Primary EIA-232 Connector .....	2-3
Table 2-3.	Pin Assignments for Primary V.35 Connector .....	2-4
Table 2-4.	Configuration Methods .....	2-5
Table 3-1.	Identification of Numbers .....	3-7
Table 5-1.	Loop Rate Commands .....	5-2
Table 5-2.	Network Address Command .....	5-3
Table 5-3.	Remote Configuration Commands .....	5-4
Table 5-4.	Network Type Commands .....	5-5
Table 5-5.	Clock Source Commands .....	5-6
Table 6-1.	DTE Rate AT Commands .....	6-2
Table 6-2.	Scrambler On/Off AT Commands .....	6-2
Table 6-3.	Data Format Commands .....	6-5
Table 6-4.	Transmit Clock AT Commands .....	6-7
Table 6-5.	CS Options AT Commands .....	6-9
Table 6-6.	Short and Long Delays at Different Operating Speeds .....	6-10
Table 6-7.	Anti-Stream AT Commands .....	6-11
Table 6-8.	CD Options AT Commands .....	6-12
Table 6-9.	TR Options AT Commands .....	6-13
Table 6-10.	SR Options AT Commands .....	6-15
Table 7-1.	Test Timeout AT Commands .....	7-2
Table 7-2.	Remote Digital Loopback AT Commands .....	7-2
Table 7-3.	EIA Local Loopback AT Commands .....	7-3
Table 7-4.	EIA Remote Loopback AT Commands .....	7-4
Table 8-1.	AT Command for Storing Phone Numbers .....	8-2
Table 8-2.	AT Commands for Auto Answer .....	8-2
Table 9-1.	Manual Commands .....	9-2
Table 11-1.	Messages from the DSU/CSU .....	11-5
Table 11-2.	Troubleshooting New Installs .....	11-7
Table 11-3.	Test AT Commands .....	11-9
Table 11-4.	DTE With Test Pattern Commands .....	11-10
Table 11-5.	Remote Tests and AT Commands .....	11-19
Table A-1.	AT Commands .....	A-1
Table B-1.	Default Configuration Profiles .....	B-2

## List of Tables

---



## PRODUCT OVERVIEW

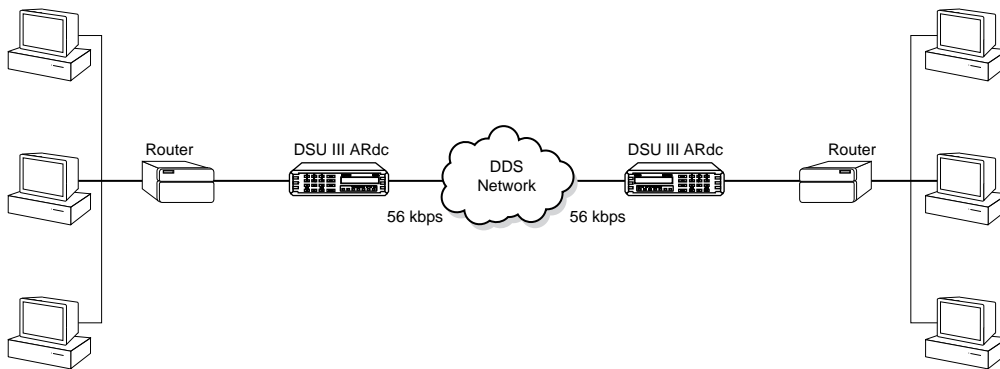
The ADTRAN DSU III ARdc provides a reliable, high-speed data connection for customer data terminal equipment (DTE) through digital data service (DDS) lines or 4-wire Switched 56 (SW56) network lines. The DSU III ARdc supports both synchronous and asynchronous data communication over the DDS or 4-wire Switched 56 networks.

This unit is an all rate DSU/CSU, supporting services from 2.4 to 64 kbps including 19.2 and 38.4 kbps services. The DSU III ARdc may be used in either point-to-point or multi-point circuits.

The DSU III ARdc provides both V.35 and EIA-232 electrical and physical DTE interfaces to accommodate a variety of applications. To insure a reliable connection, the unit features an extended receiver capability which permits operation over long loops (3.4 miles or 5.5 km of 26 AWG at 56 kbps).

The unit supports Switched 56 (4-wire) service with dialing accomplished from the front panel. This model is compatible with AT&T Accu-net and Sprint SW56 type services.

Figure 1-1 shows a sample point-to-point application for the DSU III ARdc.



**Figure 1-1. Sample Point-to-Point Application for DSU III ARdc**

## DDS Overview

DDS is a nationwide service that allows interconnection and transport of data at speeds up to 64 kbps. The local exchange carriers provide the local loop service to DDS customers and may provide data for routing Inter-LATA to an interexchange carrier. In DDS mode, the DSU III ARdc supports all DDS service rates yielding DTE rates of 1.2, 2.4, 4.8, 9.6, 19.2, 38.4 (sync or async), 56 and 64 kbps. An additional rate of 57.6 kbps is available in async mode. At the service rates of 56 kbps and 64 kbps, the unit can be configured to run slower DTE rates (async or sync).

## 4-Wire Switched 56 Overview

This switched, 4-wire DDS allows customers to pay for data connection only for the time the unit is active. The regional operating companies provide the 4-wire local loop service to SW56 customers. In SW56 mode the DSU III ARdc supports DTE rates of 1.2, 2.4, 4.8, 9.6, 19.2, 38.4 (async or sync) and 56 kbps (sync). An additional DTE rate of 57.6 kbps is available in async modes.

## **WARRANTY AND CUSTOMER SERVICE**

ADTRAN will replace or repair this product within five years from the date of shipment if it does not meet its published specifications or fails while in service. For detailed warranty, repair, and return information refer to the ADTRAN Equipment Warranty and Repair and Return Policy Procedure.

Return Material Authorization (RMA) is required prior to returning equipment to ADTRAN.

For service, RMA requests, or further information, contact one of the numbers listed on the inside back cover of this manual.



### **UNPACK, INSPECT, POWER UP**

#### **Receipt Inspection**

Carefully inspect the DSU III ARdc for any shipping damage. If damage is suspected, file a claim immediately with the carrier and contact ADTRAN Customer Service. If possible, keep the original shipping container for use in shipping the DSU III ARdc for repair or for verification of damage during shipment.

#### **Equipment Provided**

The following items are included in ADTRAN shipments of the DSU III ARdc:

- DSU III ARdc unit
- An 8-position modular to 8-position modular cable
- The user manual

The customer must provide an EIA-232 interface cable with standard 25-pin male D-type connectors (Cannon or Cinch DB-19604-432) or a V.35 cable.

#### **Power Up**

Each DSU unit is provided with a three-position terminal block which accommodates 12 to 26 AWG wire. The positive (+) and negative (-) terminals connect to a 24 to 48 VDC, 0.4A power source.



*The chassis should be connected to earth ground.*

The following UL requirements must be met during installation:

1. The unit must be connected to a reliably grounded -24 or -48 VDC source which is electrically isolated from the AC source.
2. The branch circuit overcurrent protection should be a fuse or circuit breaker rated 48 V, 15 A.
3. The unit should be installed in accordance with the requirements of NEC NFPA 70.
4. A readily-accessible disconnect device that is suitably approved and rated, should be incorporated in the fixed wiring.

## NETWORK INTERFACE CONNECTION

The DSU III ARdc's eight-position modular jack (labeled **TELCO**) connects to the network when the unit is configured for either dedicated or switched operation. See Table 2-1 for the connector pin assignments.

**Table 2-1. Pin Assignments for Telco Connector**

Pin	Name	Description
1	R1	Transmit Data from DSU to Network-Ring 1
2	T1	Transmit Data from DSU to Network-Tip 1
3-6	-	Not Used
7	T	Receive Data from Network to DSU-Tip
8	R	Receive Data from Network to DSU-Ring

## DTE DATA CONNECTION/PRIMARY DTE

The primary DTE should be connected to either the EIA-232 DTE connector or the CCITT V.35 DTE connector. The maximum cable lengths recommended are 50 feet for the EIA-232, and 100 feet for the CCITT V.35. The pin assignments for the connectors are listed in Table 2-2 and Table 2-3.

The V.35 connector is recommended for use with data rates above 19.2 kbps. The EIA-232 connector works up to 56 kbps with a low capacitance cable or with the external transmit clock option selected. The DTE rate is configured from the front panel. The DTE can operate in asynchronous or synchronous modes.



*To prevent possible radio frequency interference emissions, a shielded cable is required.*

**Table 2-2. Pin Assignments for Primary EIA-232 Connector**

Pin	EIA	Description
1	AA	Protective Ground (PG)
2	BA	Transmit Data (TD)
3	BB	Receive Data (RD)
4	CA	Request to Send (RS)
5	CB	Clear to Send (CS)
6	CC	Data Set Ready (SR)
7	AB	Signal Ground (SG)
8	CF	Received Line Signal Detector (CD)
9	-	+12 Test Point
10	-	-12 Test Point
15	DB	Transmit Clock (TC)
17	DD	Receive Clock (RC)
18	-	Local Loopback (LL)
20	CD	Data Terminal Ready (TR)
21	-	Remote Loopback (RL)
22	CE	Ring Indicator (RI)
24	DA	External TX Clock (ETC)
25	-	Test Indicator (TI)

**Table 2-3. Pin Assignments for Primary V.35 Connector**

Pin	CCITT	Description
A	101	Protective Ground (PG)
B	102	Signal Ground (SG)
C	105	Request to Send (RS)
D	106	Clear to Send (CS)
E	107	Data Set Ready (SR)
F	109	Received Line Signal Detector (CD)
H	-	Data Terminal Ready (TR)
J	-	Ring Indicator (RI)
L	-	Local Loopback (LL)
N	-	Remote Loopback (RL)
R	104	Received Data (RD-A)
T	104	Received Data (RD-B)
V	115	Receiver Signal Element Timing (SCR-A)
X	115	Receiver Signal Element Timing (SCR-B)
P	103	Transmitted Data (SD-A)
S	103	Transmitted Data (SD-B)
Y	114	Transmitter Signal Element Timing (SCT-A)
AA	114	Transmitter Signal Element Timing (SCT-B)
U	113	External TX Signal Element (SCX-A)
W	113	External TX Signal Element (SCX-B)
NN	-	Test Indicator (TI)

## CONFIGURATION

The DSU III ARdc contains four different user profiles (sets of configurations options) that are stored in read only memory. These profiles are listed in *Appendix B "Default Configuration Profiles"* on page B-1. The unit is shipped from the factory with profile 1 (default configuration) loaded into the nonvolatile configuration memory. If profile 1 matches the desired system requirements, then no additional configuration is required to put the unit into service. If profile 1 does not match the desired system



requirements, modify the default configuration or select another profile more closely matching the desired configuration and modify.

When a new profile is loaded or the existing profile is modified, it is stored in the nonvolatile configuration memory. The DSU III ARdc is then configured with that profile every time power is turned on or reset.

See *Chapter 9 “Manual Command” on page 9-1* for information on loading default configuration profiles.

## Configuration Methods

The DSU III ARdc provides methods for both local and remote configuration. These methods are shown in Table 2-4.

**Table 2-4. Configuration Methods**

Method	Local	Remote
AT Commands	Yes	Yes
V.25 Commands	Yes	Yes
Front Panel	Yes	Yes
VT 100	No	Yes

## AT Commands

The DSU III ARdc can be configured and controlled with in-band AT commands from an asynchronous DTE port just as modems are.

To exit the data mode and enter the command mode, the asynchronous DTE device must transmit a proper escape sequence or three pluses (+++) to the DSU III ARdc. A specified time delay must occur between the last data character and the first escape sequence character. This is the guard time delay, and it can be changed by writing a value to the S12 register. The default value for the guard time is one second. For a valid escape sequence to occur, the DTE must transmit the escape code character three times in succession with delay between each character being less than the guard time.

Once the command mode is entered, AT commands can be transmitted to the DSU III ARdc to configure most of the options or initiate tests to check both the DSU III ARdc and the network connections. All command lines must begin with the AT character *et* in either capital or lower case letters.

The command line may contain a single command or a series of commands after the AT attention code. When a series of commands is used, the individual commands may be separated with spaces for readability. The maximum length for a command line is 40 characters. Each command line is executed by the DSU III ARdc upon receipt of a terminating character. The default terminating character is a carriage return (ASCII 013), but it can be changed by writing a different value to register S3.

Before the terminating character is transmitted, the command line can be edited by using the backspace character (ASCII 008) to erase errors so the proper commands can be entered. Valid AT commands for the DSU III ARdc are listed in *Appendix A "AT Commands" on page A-1*.

## V.25 bis Commands

When configured for the V.25 bis option, the DSU III ARdc accepts in-band dialing and configuration commands from both synchronous and asynchronous DTE ports.

The V.25 bis option supports the following protocols:

- SDLC (synchronous data link control)
- Bisync
- Asynchronous

### SDLC Option

#### Character Format

- Data bits - 8
- Parity bit - Ignored

**Command Structure**

[F][A][C][V.25 bis COMMAND][FCS][F]

The address field [A] is FFH. The control field [C] is set to 13H except for cases of multi-frame responses. For this case, the control field is set to 03H in all but the last frame. The 03H in the control field indicates that other frames are to follow while the 13H in the control field indicates the final frame.

**Bi-Sync Option****Character Format**

- Data bits - 7
- Parity bit - Odd

**Command Structure**

[SYN][SYN][STX][V.25 bis COMMAND][ETX]

**Asynchronous Option****Character Format**

- Start bit- 1
- Data bits- 7
- Parity bit- Even
- Stop bit- 1

**Command Structure**

[V.25 bis COMMAND][CR][LF]

**Command Descriptions**

The ADTRAN V.25 bis command set is a subset of the CCITT V.25 bis command set. In addition to the CCITT commands supported, ADTRAN has added configuration commands for both local and remote DSUs. The ADTRAN V.25 bis command set follows:

CIC	Connect incoming call
CNL	Configuration local
CNR	Configuration remote
CRN	Call request with number
CRS	Call request using stored number
DIC	Disregard incoming call
PRN	Program number
RLN	Request list of numbers

The following list contains possible responses to V.25 bis commands:

VAL	Valid V.25 command processed
CFIET	Call failed on switched network - busy detected
CFIDE	Call failed on switched network - no wink detected
CFINS	Call failed - no dial string in specified register
INVCU	Unknown command detected
INVPS	Invalid parameter syntax
INVPV	Invalid parameter value
INVBL	Invalid local password
INVBM	Invalid remote password
INC	Incoming call
CNX	Call connected

If verbose (wordy) responses are disabled (ATV0), the following list of three-character responses are the only ones returned:

VAL	Valid V.25 command processed
INV	Invalid command received
CFI	Call failed
INC	Incoming call
CNX	Call connected

---

## Syntax and Possible Responses

### **CIC (Connect Incoming Call)**

This command causes the DSU to go on-line. For dial backup units, this command hangs up the dial backup line and initiates an attempt to re-establish the main (DDS) line. There are no parameters associated with this command. Possible indications include VAL, CNX, and CFlxx.

### **CNL (Configuration Local)**

This command is used to pass AT commands to the local modem via the V.25 bis command processor. This allows the DSU III ARdc to be configured with AT commands via a synchronous interface. The command has the following format:

```
CNL[LOCAL PASSWORD;]AT[ONE OR MORE AT COMMANDS]
```

A local password may not be required depending on the present configuration of the unit. Responses to CNL commands are returned in the data format currently configured. Possible responses include VAL and INVn.

### **CNR (Configuration Remote)**

This command is used to pass AT commands over the network to the remote DSU via the V.25 bis command processor. This allows a remote DSU III ARdc to be configured from a synchronous interface. The command's format is as follows:

```
CNR[REMOTE PASSWORD;]AT[ONE OR MORE AT COMMANDS]
```

The remote password may or may not be required depending on the present configuration of the remote unit. Responses to the CNR commands are returned in the data format currently configured. Possible responses include VAL and INVn.

## Switched 56 Operation

### CRN (Call Request with Number)

When the DSU III ARdc is configured for SW56 operation, the CRN command causes the DSU to dial the supplied number. The command's format follows:

```
CRN[NUMBER TO BE DIALED]
```

If no number is included in the command, the number stored in dial register number 1 is dialed. If no number is provided and no number is stored in dial register number 1, the DSU III ARdc responds with the call failure indication CFINS (Call Failure Indication Not Stored).

### CRS (Call Request Using Stored Number)

The CRS command causes the DSU III ARdc to dial the number stored in the specified register. The format of this command is as follows:

```
CRS [OPTIONAL SPACE][REGISTER NUMBER 1-10]
```

If this command is issued without the register number parameter, the INVPS (Invalid Parameter Syntax) response is issued. If this command is issued and the register parameter is not in the valid range for dialing registers, the INVPV (Invalid Parameter Value) response is returned. Other responses include VAL, CNX, and CFIxx.

### DIC (Disregard Incoming Call)

This command causes the V.25 bis processor to return to command mode even if there is an incoming call pending. This allows local commands to be issued and incoming calls to be ignored. There are no parameters associated with this command. The DSU responds with VAL.

### PRN (Program Number)

This command stores the supplied number into the specified register. The command has the following format:

```
PRN REGISTER NUMBER;[NUMBER TO BE STORED]
```

If this command is entered with no parameters, the INVPS response is returned. If no register number is included in the command or if it is invalid, the INVPV response is returned. This response is also returned if the number to be stored contains invalid characters. The characters 1, 2, 3, 4, 5, 6, 7, 8, 9, 0, P, T, and & are valid dial characters. If no digits are issued with this command, the specified register is cleared. The DSU responds with VAL.

### **RLN (Request List of Numbers)**

This command causes the DSU III ARdc to return the number stored in the specified register. The format of this command follows:

```
RLN [REGISTER NUMBER]
```

If the register number is invalid, the INVPV response is returned. When a correct register number is entered, the following response is returned:

```
LSN [REGISTER NUMBER];[NUMBER STORED]VAL
```

If no register number is present in the command, the DSU III ARdc responds with a list of all the registers and the stored numbers. This list is followed by the VAL response.





**MENU STRUCTURE**

The DSU III ARdc uses a multilevel menu approach to access its many features. All menu operations are displayed in the LCD window.

The opening menu is the access point for all other operations. There are four Main menu branches: Status, Test, Configuration and Dial.

Each Main menu item has several functions and sub-menus to identify and access specific parameters.

**LCD Display of the Main Menu**

1=STATUS    2=TEST  
3=CONFIG    4=DIAL



*The DIAL option is only available when the unit is configured for a Switched 56 network type. For more information, see Chapter 10 "Dial Selection" .*

**Main Menu**

The following paragraphs briefly describe the main menu's four branches. More detailed information is provided in the individual chapters for each branch.

**Status**

Status is used to display all relevant information for the network and DTE interfaces. It displays the current operating mode, loop status, rate of service from the network, DTE data rate and format, and DTE interface lead status. The display returns to the status menu when the front panel

is not accessed. Refer to *Chapter 12 "Status Selection"* for more detailed information.

### **Test**

Test is used to control local and remote testing. Select local or remote testing, and select the type of test and test pattern when required. For more information see *Chapter 11 "Testing and Troubleshooting"*.

### **Configuration (CONFIG)**

Configuration is used to select network and DTE operating parameters, to configure testing and dialing options, and to enter a manual command. This menu branch is divided into several chapters for easier reference. The division includes a brief overview chapter followed by a separate chapter for each of the five sub-menus of the CONFIG branch: *Chapter 5 "Configuring Network Options"*, *Chapter 6 "Configuring DTE Options"*, *Chapter 7 "Configuring Test Options"*, *Chapter 8 "Configuring Dial Options"*, and *Chapter 9 "Manual Command"*.

### **Dial**

Dial provides manual dialing functions. Key in a number to dial, select one of the ten stored numbers, or redial the last dialed number. This menu is available for use only when AT&T/MCI SW56 or US SPRINT SW56 is the selected network type. See *Chapter 10 "Dial Selection"* for more information.

## Basic Menu Travel

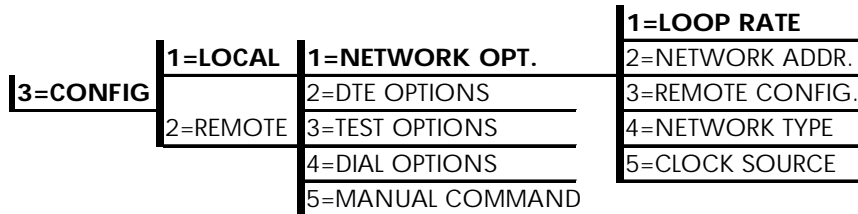
Four function keys on the left side of the DSU III ARdc keypad allow the various menu branches to be entered, exited, and scrolled through. The four function keys are defined below.

Enter	Selects a displayed item.
Up Arrow	Scrolls up the sub-menu items.
Down Arrow	Scrolls down the sub-menu items.
Cancel	Exits (back one level) from the current branch of the menu.

To choose a menu item, press the corresponding number or alpha character on the keypad (press **Shift** to activate alpha characters). The item flashes to show it is the currently selected (active) choice. Pressing either the **Up** or **Down Arrow** scrolls through the available menu items. Pressing **Enter** selects the flashing item.

The following example and Figure 3-1 illustrate how to select the DSU III ARdc Loop Rate option.

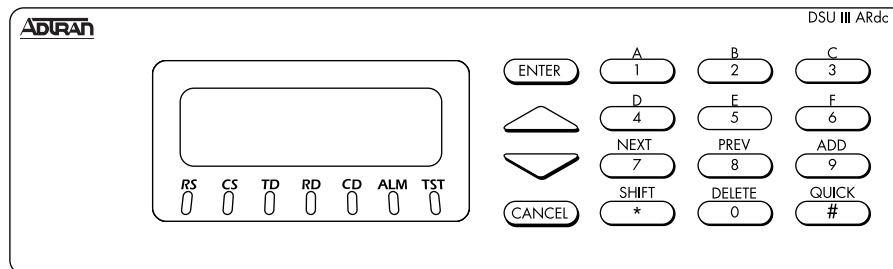
1. Select Configuration (CONFIG) by pressing **3**, then press **Enter**.
2. Select LOCAL or REMOTE test by pressing the corresponding number, then press **Enter**.
3. Use the **Up** and **Down Arrows** to view sub-menu items.
4. Choose an item on the sub-menu such as Network Options (NETWORK OPT).
5. To select NETWORK OPT press **1**, then press **Enter**.
6. To select LOOP RATE options, press **1**, then press **Enter**.
7. The current network loop rate is flashing. Scroll up or down to view possible options. To select a new loop rate, press the corresponding number then press **Enter**.



**Figure 3-1. Example of Basic Menu Travel**

## FRONT PANEL

The DSU III ARdc faceplate is shown in Figure 3-2. Descriptions of each part of the front panel follow the illustration:



**Figure 3-2. DSU III ARdc Front View**

### LCD Window

Displays menu items and messages in 2 lines by 16 characters.

### Enter

Selects active menu items. To activate a menu item, press the number of the item. When the menu item is flashing, press **Enter** to select it.

### Up and Down Arrows

The **Up** and **Down Arrows** scroll through menu items available in the current menu. Submenu items appear two at a time in a circular or wrapping fashion. When the submenu items are scrolled, they continuously appear from beginning to end in a forward (**Down Arrow**) or reverse (**Up Arrow**) pattern.

### Cancel

Pressing the **Cancel** key stops the current activity and returns to the previous menu. Repeat until the desired menu level is reached.

### Numeric Keypad

The numeric keypad contains the numbers 0 through 9 and alpha characters A through F, which are used to activate menu items or enter parameters.

### Shift

Enter alpha characters by first pressing and releasing the **Shift** key and then pressing the desired character.

To activate a menu item designated by an alpha character rather than a number, display the menu item using the **Up** and **Down Arrows**, press and release **Shift**, then press the letter. The active item flashes. Press **Enter** to select the item.

### Quick

During most operations, the **Quick** key returns the display to the Main menu. During a test, the **Quick** key returns to the top of the Test menu. In SW56 operation, if the unit is not in test, the **Quick** key returns to the Dial menu.

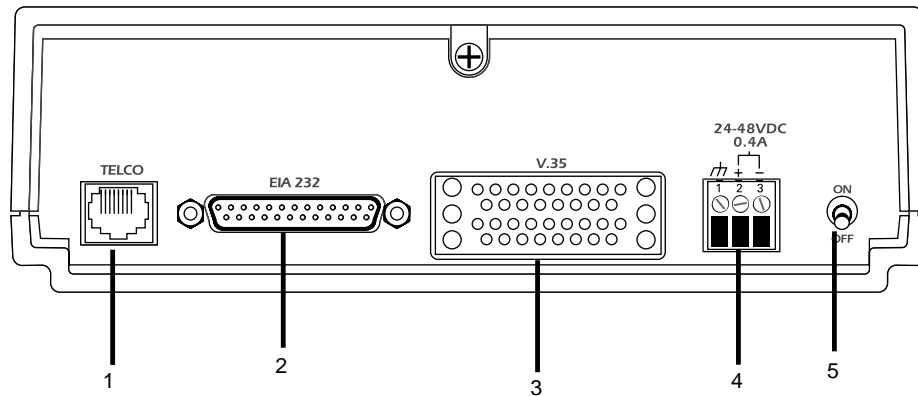
### **LED Description**

The DSU III ARdc has seven LED indicators: RS, CS, TD, RD, CD, ALM and TST. These LEDs are identified as follows:

- RS: Request to Send
- CS: Clear to Send
- TD: Transmit Data
- RD: Receive Data
- CD: Carrier Detect
- ALM: Alarm Indication
- TST: Test Mode Manual

### **REAR PANEL**

The rear panel contains two DTE connectors which provide a V.35 or EIA-232 connection. An 8-pin telco jack, a DC power connector, and a power switch are also located on the rear panel. Pin assignments for the DTE and network connections are listed in *Chapter 2 "Installation"*. The DSU III ARdc rear panel is shown in Figure 3-3. Table 3-1 defines the numbers used in Figure 3-3.



**Figure 3-3. DSU III ARdc Rear View**

**Table 3-1. Identification of Numbers**

Number	Item	Function
1	Telco Connection	Connection to the dedicated circuit
2	EIA-232	DTE interface
3	V.35	High speed DTE interface
4	24 to 48 VDC Connection	Power connection
5	Power Switch	Used to turn power on or off





**LOCAL AND REMOTE CONFIGURATION**

The DSU III ARdc can be configured locally using the front panel or remotely by establishing communications with another DSU. The front panel of the local DSU can then be used to configure the remote DSU. During remote configuration, the DSU III ARdc prompts for the remote address before continuing to the Configuration (CONFIG) menus.

The Configuration menu consists of a group of five sub-menus relating to a specific interface or function of the DSU III ARdc that requires setup.

1=Network Opt.	Network Interface Parameters
2=DTE Options	DTE Interface Parameters
3=Test Options	Unit Test Options
4=Dial Options	Unit Dialing Options
5=Manual Command	ADTRAN Specific Commands

The DSU III ARdc contains four different user profiles (sets of configurations options) that are stored in read only memory (see *Appendix B "Default Configuration Profiles" on page B-1*). The unit is shipped from the factory with profile number 1 (default configuration) loaded into the current (nonvolatile configuration) memory. If profile 1 matches requirements for the system, then no additional configuration is required to put the unit into service. If profile 1 does not match system requirements, it can be modified or one of the other profiles that more closely matches the system requirements can be loaded into current memory. When a different profile is loaded, or the existing profile is modified, it is stored in the current (nonvolatile configuration) memory. The DSU III ARdc is then configured with that profile every time power is turned on or until the unit is reset.

For detailed information on configuration see *Chapter 5 “Configuring Network Options”*, *Chapter 6 “Configuring DTE Options”*, *Chapter 7 “Configuring Test Options”*, *Chapter 8 “Configuring Dial Options”*, and *Chapter 9 “Manual Command”*.

A complete Configuration menu is shown in Figure 4-1.

# Chapter 5    Configuring Network Options

---

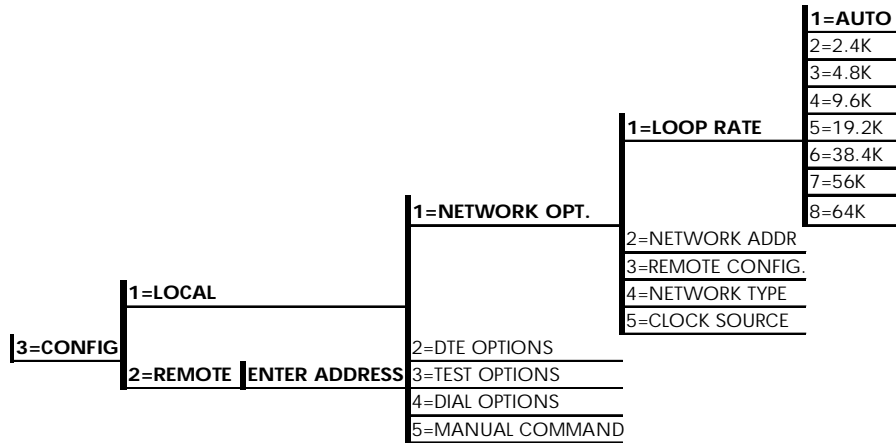
## NETWORK OPTIONS

The NETWORK OPTIONS configuration parameters control the loop operation of the DSU III ARdc.

Once a parameter is set, **Command Accepted** is displayed briefly before returning to the active menu.

### Loop Rate

The Loop Rate option sets the loop operating speed. The unit should be set to the rate required by the DDS service. The DSU III ARdc also supports subrate DTE data over a 56 kbps or 64 kbps loop. The loop rate must be set independently of the DTE rate. Eight loop rate selections are available (shown in Figure 5-1).



**Figure 5-1. Setting Loop Rate Options**

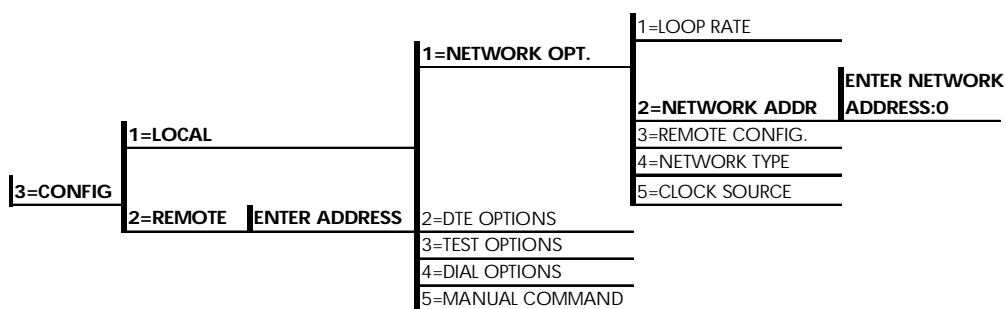
The default factory setting is AUTO. When configured to AUTO, the DSU will automatically attempt to adapt to the loop rate. If the loop rate is known, select the rate from the menu. The various loop rates and format selections are listed in Figure 5-1 with the equivalent AT commands that perform the same configuration functions.

**Table 5-1. Loop Rate Commands**

Front Panel	AT Command
1=AUTO	%B0
2=2.4K	%B1
3=4.8K	%B2
4=9.6K	%B3
5=19.2K	%B4
6=38.4K	%B5
7=56K	%B6
8=64K clear channel	%B7

## Network Address

A two-digit decimal address can be assigned to each DSU III ARdc. This addressing capability makes it possible to perform remote configuration and testing in point-to-point and multi-drop networks. Figure 5-2 shows the menu path used to change the network address. The factory default setting is 0.



**Figure 5-2. Setting the Network Address**

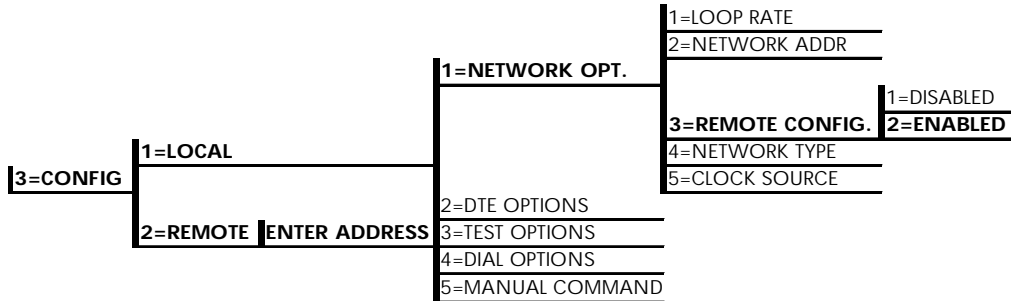
Table 5-2 shows the AT command used to set the network address.

**Table 5-2. Network Address Command**

Front Panel	AT Command	Description
XX (Decimal)	_N=xx	Assigns a two-digit network address

## Remote Configuration

This option sets up the DSU III ARdc to accept or reject remote configuration commands. Figure 5-3 shows the menu path for enabling/disabling remote configuration. The factory default setting is ENABLED.



**Figure 5-3. Enabling/Disabling Remote Configuration**

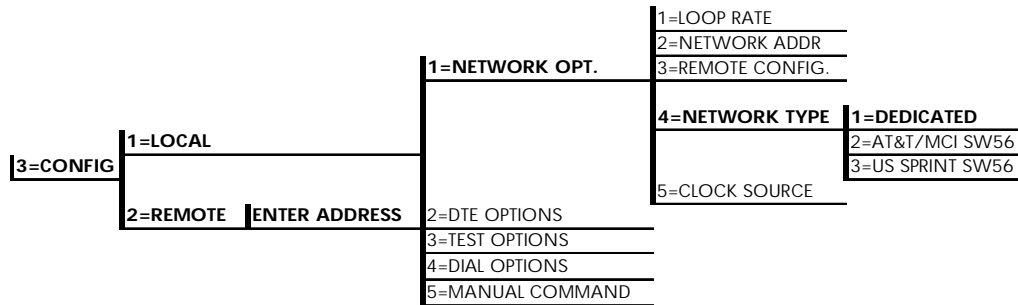
Table 5-3 shows the equivalent AT commands used to enable or disable remote configuration.

**Table 5-3. Remote Configuration Commands**

Front Panel	AT Command	Description
1=DISABLE	&P4	Disable remote configuration
2=ENABLE	&P5	Enable remote configuration

## Network Type

This option configures the DSU III ARdc for the specific type of network being used. The factory default setting is DEDICATED (see Figure 5-4).



**Figure 5-4. Setting Network Type Options**

Table 5-4 shows the equivalent AT commands that perform the same configuration functions.

**Table 5-4. Network Type Commands**

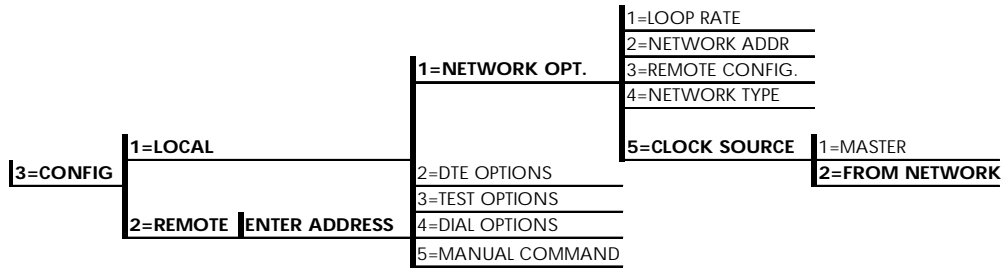
Front Panel	AT Command	Description
1=DEDICATED	&L0	Any 4-wire DDS network
2=AT&T/MCI	&L1	AT&T/MCI Switched 56 service
3=US SPRINT	&L2	US SPRINT Switched 56 service



*When AT&T/MCI SW56 or US SPRINT SW56 is selected, the Main menu displays the DIAL selection.*

**Clock Source**

The CLOCK SOURCE options specify the timing source for the DSU III ARdc’s internal circuitry. The factory default setting is FROM NETWORK (see Figure 5-5).



**Figure 5-5. Setting the Clock Source**

When operating on a DDS network, the timing should be FROM NETWORK. On a point-to-point private network, one DSU III ARdc must be set for MASTER, and the other set for FROM NETWORK. Table 5-5 shows the equivalent AT commands for setting the clock source.



*Select Master timing only if the circuit has no timing source (for example, two DSUs and a crossover cable).*

**Table 5-5. Clock Source Commands**

Front Panel	AT Command	Description
1=MASTER	_X0	DSU is the master timing source
2=FROM NETWORK	_X1	Network Rx signal is timing source

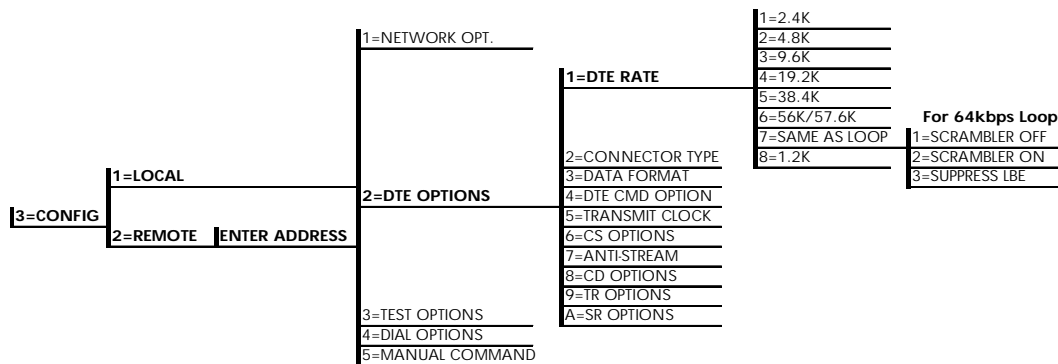


## DTE OPTIONS

The DTE OPTIONS menu is used to select the configuration parameters that control the operation of the DSU III ARdc's DTE interface.

## DTE Rate

The selectable DTE rates over a 56 or 64 kbps loop are shown in Figure 6-1. If a slower loop rate is selected, then the DTE rate will either match the loop rate, or it can be set to 1.2K (see Figure 6-2). The factory default setting is **SAME AS LOOP**.



**Figure 6-1. DTE Rates for 56 or 64 kbps Loop Rate**

The equivalent AT commands for setting the DTE rate for a 56 kbps loop rate are shown in Table 6-1.

**Table 6-1. DTE Rate AT Commands**

Front Panel	AT Command	Description
1=DTE 2.4K	%K3	DTE rate 2.4K sync and async
2=DTE 4.8K	%K4	DTE rate 4.8K sync and async
3=DTE 9.6K	%K5	DTE rate 9.6K sync and async
4=DTE 19.2K	%K6	DTE rate 19.2K sync and async
5=DTE 38.4K	%K7	DTE rate 38.4K sync and async
6=DTE 56K/57.6K	%K8	DTE rate 56K sync or 57.6K async
7=SAME AS LOOP	%K9	DTE rate same as loop speed

If the DSU III ARdc is set for a loop rate of 64 kbps and SAME AS LOOP is selected, then SCRAMBLER ON/OFF options are available (as shown in Figure 6-1). The factory default setting is SCRAMBLER OFF.

Table 6-2 shows the equivalent AT commands for setting SCRAMBLER ON/OFF for 64 kbps loop rates.

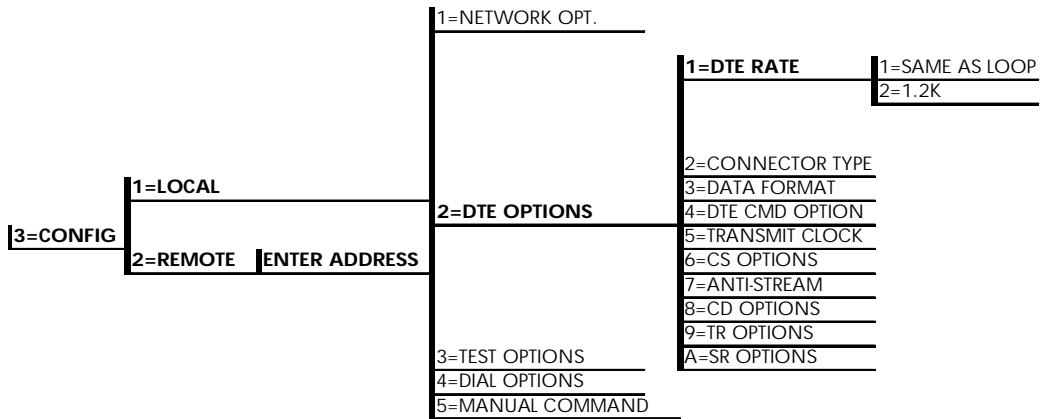
**Table 6-2. Scrambler On/Off AT Commands**

Front Panel	AT Command	Description
1=SCRAMBLER OFF	_F0	DTE data scrambler disabled.
2=SCRAMBLER ON	_F1	DTE data scrambler enabled.
3=SUPPRESS LBE	_F2	LBE codes from DTE suppressed (64 kbps only).



*For 64 kbps clear channel operation, there is a possibility that the DTE data sequences might mimic network loop maintenance functions and erroneously cause other network elements to activate loopbacks. To prevent this, the SCRAMBLER ON or SUPPRESS LBE option should be selected for both the local and remote DSU III ARdc.*

For loop rates of 2.4, 9.6, 19.2, and 38.4 kbps the DTE rates shown in Figure 6-2 are available.



**Figure 6-2. DTE Rates for Loop Rates of 2.4, 9.6, 19.2, and 38.4 kbps**



*The 1.2K setting is for data mode only. The unit will not respond to any in-band command modes such as AT commands or V.25 bis. If any command modes are set, they will be disabled when the 1.2K setting is selected.*

## Connector Type

The CONNECTOR TYPE option is used to specify which of the primary channel connectors is used to connect to the DTE. Figure 6-3 shows the menu path used to set the connector type. The factory default setting is V.35. There are no AT commands available to set the connector type.

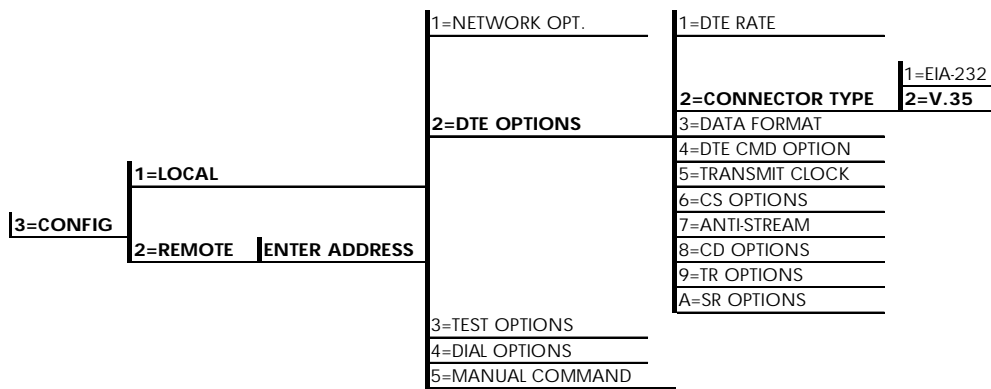


Figure 6-3. Selecting the Connector Type

## Data Format

The DATA FORMAT option is used to select either the SYNCHRONOUS or ASYNCHRONOUS mode of operation for the DTE interface. The factory default setting is SYNCHRONOUS (see Figure 6-4). If ASYNCHRONOUS is chosen, the length of the data bytes must be selected.

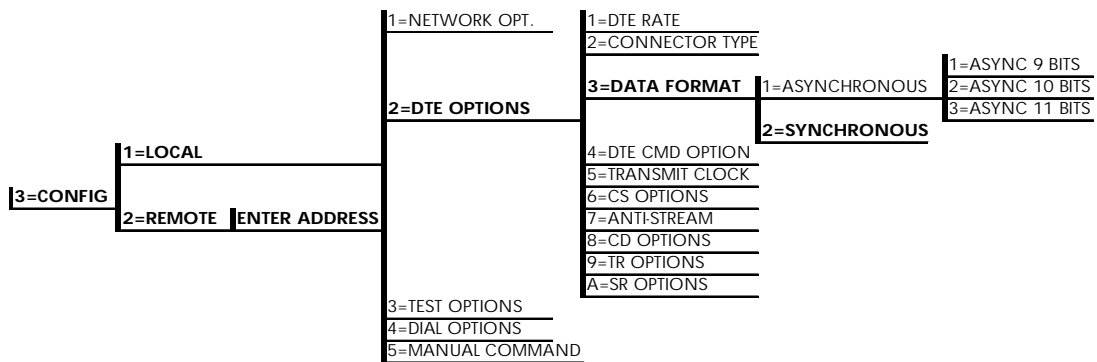


Figure 6-4. Selecting Data Format

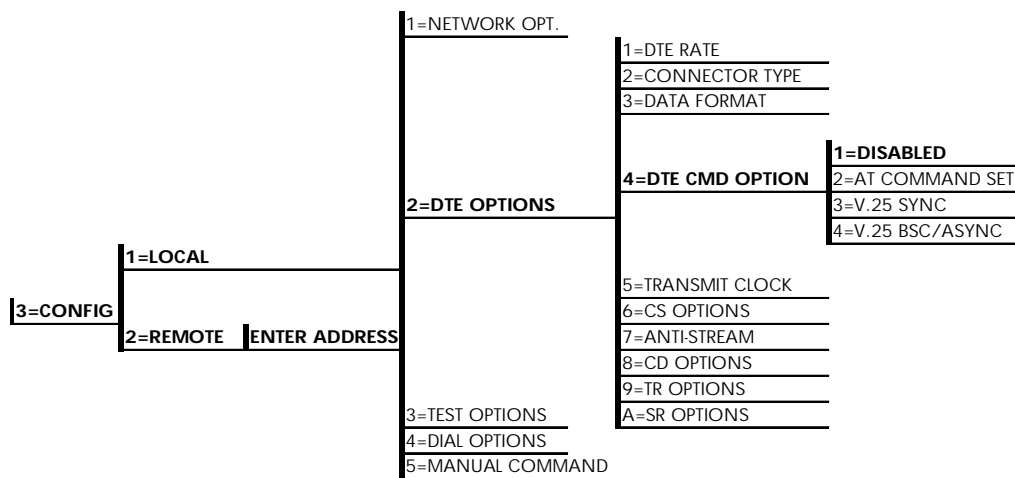
Table 6-3 shows the AT commands that can be used to set the DATA FORMAT.

Table 6-3. Data Format Commands

Front Panel	AT Command	Description
1=ASYNCHRONOUS	&Q0	Always asynchronous
2=SYNCHRONOUS	&Q2	Always synchronous
For asynchronous options, select the length of the data bytes.		
1=ASYNC 9 BITS	N/A	9 bits including start, stop, parity
2=ASYNC 10 BITS	N/A	10 bits including start, stop, parity
3=ASYNC 11 BITS	N/A	11 bits including start, stop, parity

## DTE Command Option

The DTE COMMAND option is used to enable AT commands from the DTE, enable V.25 bis SDLC (synchronous data link control) commands, enable V.25 (bisync and async), or disable all DTE command modes (see Figure 6-5).



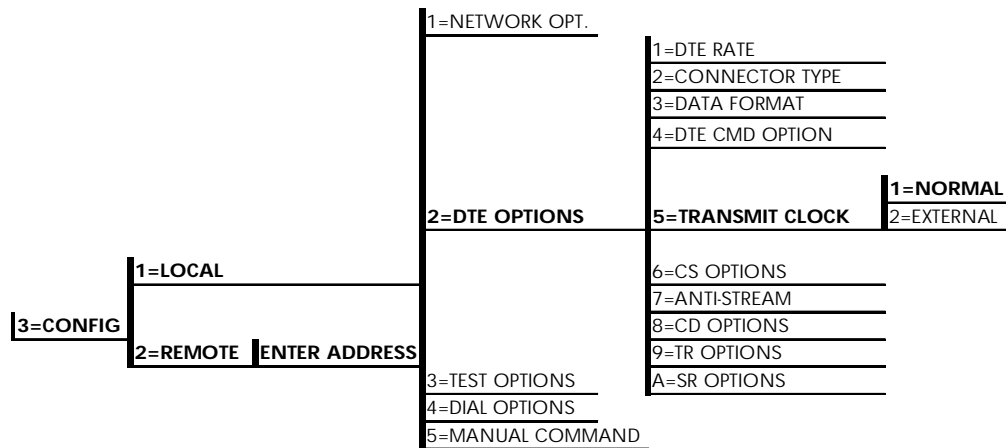
**Figure 6-5. Selecting DTE Command Option**



*When the unit is in DTE CMD OPTION mode (idle in SW56 mode, forced with TR option, or from escape sequence in AT mode) with AT COMMAND SET or V.25 SYNC selected, the DTE format is independent of the DATA FORMAT option. However, if V.25 BSC/ASYNC is selected, the unit will use V.25 BISYNC (BSC) commands for synchronous data format or V.25 ASYNC commands for asynchronous data format.*

## Transmit Clock

The TRANSMIT CLOCK option is used to select the source of the clock used to transfer data from the DTE to the DSU III ARdc. Figure 6-6 shows the menu path used to set the TRANSMIT CLOCK option.



**Figure 6-6. Transmit Clock Options**

Table 6-4 shows the AT commands used to set the Transmit Clock option.

**Table 6-4. Transmit Clock AT Commands**

Front Panel	AT Command	Description
1=NORMAL	&X0	TX clock from DSU selected
2=EXTERNAL	&X1	ETC clock from DTE selected

The EXTERNAL clock option is normally used in modem tail circuit applications. A DSU-to-modem interconnect diagram for this application is shown in *Appendix C "DSU-to-Modem Interconnect"* on page C-1.

The EXTERNAL clock option is also recommended when the EIA-232 connector is used for 56 kbps and 64 kbps applications. A special DSU

cable diagram for this application is shown in *Appendix D “EIA-232 Connector” on page D-1*. Using this option and special cable eliminates data errors caused by excessive delays in the DTE transmit clock receiver and transmit data driver.

## CS Options

The CS (clear to send) OPTIONS menu is used to select one of five different control modes for the CS lead. Figure 6-7 shows the menu path used to access the CS OPTIONS menu. The default factory setting is FOLLOWS RS with CS DELAY SHORT.

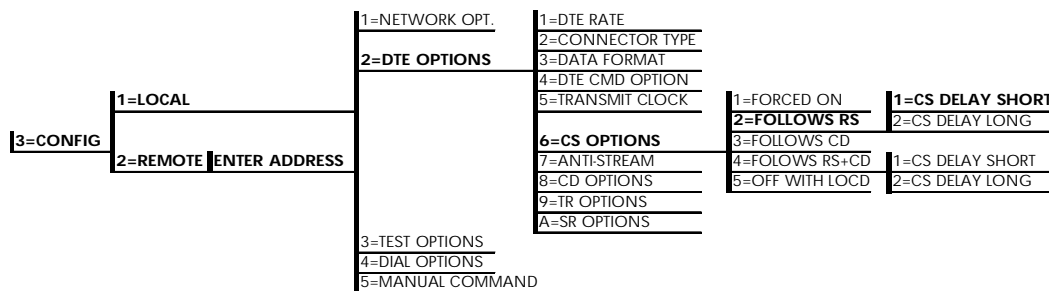


Figure 6-7. Selecting CS Options

If one of the options chosen involves request to send (RS), then the delay from RS to CS must be selected. Table 6-5 shows the AT Commands used to set the CS OPTIONS.



**Table 6-5. CS Options AT Commands**

Front Panel	AT Command	Description
1=FORCED ON	&R0	CS always on.
2=FOLLOWS RS	&R1	CS on with RS after delay; off when RS or if DSU cannot pass data.
3=FOLLOWS CD	&R2	CS off when CD goes off or if DSU cannot pass data.
4=FOLLOWS RS+CD	&R3	CS follows RS after delay and also off if CD off. If CD goes off after RS is on, DSU III ARdc will turn off CS but continue to pass data until RS goes off. CS also off if DSU cannot pass data.
5=OFF WITH LOCD	&R4	Off 5 sec after LOCD. Valid only in SW56 mode. CS is forced on but will turn off for 5 seconds after a call is disconnected.
For RS options, select the RS to CS delay length.		
1=CS DELAY SHORT	_D0	Short delay from RS to CS selected.
2=CS DELAY LONG	_D1	Long delay from RS to CS selected.

Specified times for the short and long delays at the different operating speeds are shown in Table 6-6.

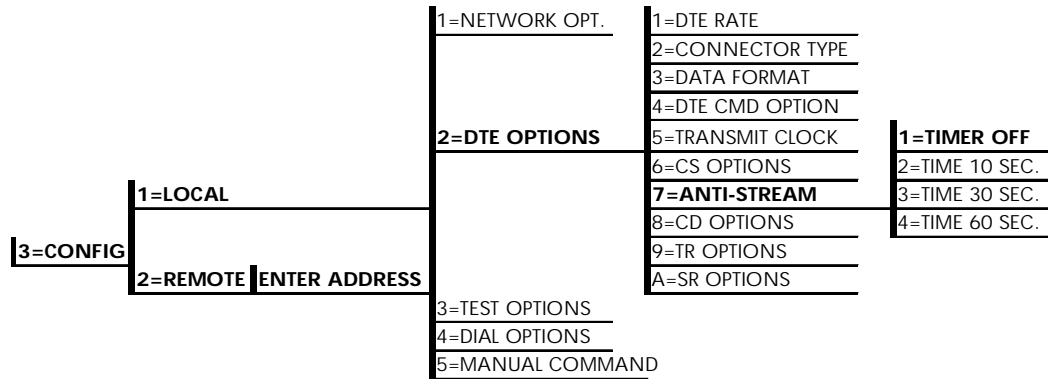
**Table 6-6. Short and Long Delays at Different Operating Speeds**

Rate	Short Option	Long Option	Tolerance
64K	1.1ms	16.1ms	±.4ms
56K	1.1ms	16.1ms	±.4ms
38.4K	1.5ms	16.5ms	±.4ms
19.2K	1.5ms	16.5ms	±.4ms
9.6K	1.5ms	16.5ms	±.4ms
4.8K	1.9ms	16.9ms	±.7ms
2.4K	3.8ms	18.8ms	±1.3ms

## Anti-Stream

The ANTI-STREAM option is used to select the anti-stream timeout. Figure 6-8 shows the menu path used to access the ANTI-STREAM options menu. The anti-stream timeout is the maximum time the DSU III ARdc transmits data to the network from the DTE. This feature prevents one DTE device on a multi-drop network from continuously tying up the transmit circuit back to the master DSU.

The anti-stream timer is reset to zero when RS changes to the active state and is updated every second while RS is active. When the anti-stream timeout expires, the DSU III ARdc stops transmitting DTE data into the network but continues to accept data from it. This condition exists until the DTE deactivates the RS input.



**Figure 6-8. Anti-Stream Options**

The factory default setting is TIMER OFF. Table 6-7 shows the available options and their AT commands.

**Table 6-7. Anti-Stream AT Commands**

Front Panel	AT Command	Description
1=TIMER OFF	%T0	Anti-stream timer disabled
2=TIME 10 SEC.	%T1	Timeout equals 10 seconds
3=TIME 30 SEC.	%T2	Timeout equals 30 seconds
4=TIME 60 SEC.	%T3	Timeout equals 60 seconds

## CD Options

The CD OPTIONS menu is used to select one of three different control modes for the receive line signal detector (CD) lead. The default factory setting is NORMAL (see Figure 6-9).

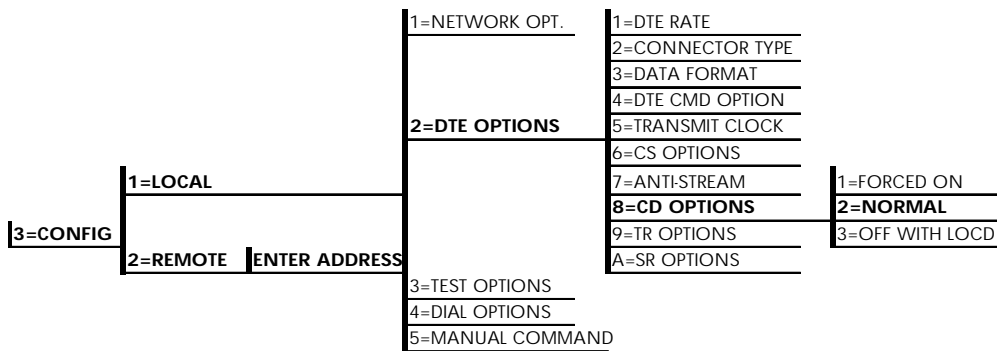


Figure 6-9. Selecting CD Options

Table 6-8 shows the equivalent AT commands for setting CD options.

Table 6-8. CD Options AT Commands

Front Panel	AT Command	Description
1=FORCED ON	&C0	On all the time.
2=NORMAL	&C1	On only when data present on loop.
3=OFF WITH LOCD	&C2	On except after disconnect in Switched 56 application.

## TR Options

The TR OPTIONS menu is used to select the DSU III ARdc response to the data terminal ready (TR) lead. The factory default setting is IGNORED (see Figure 6-10).

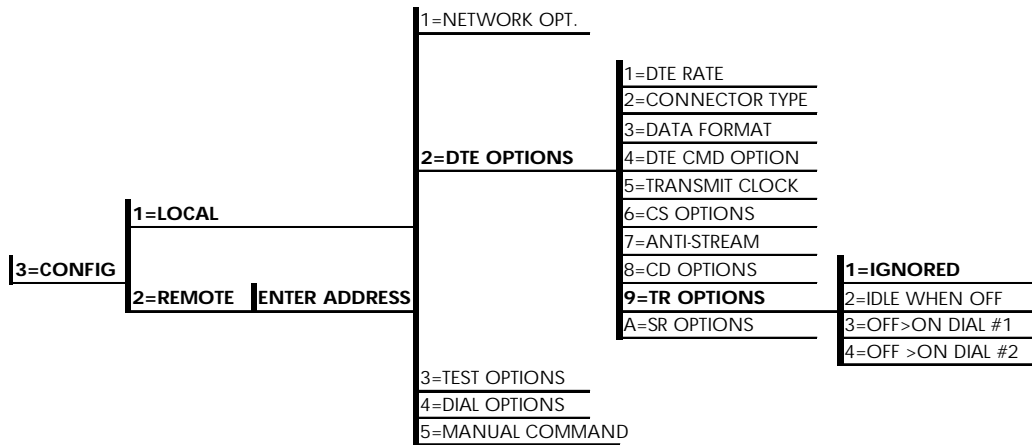


Figure 6-10. Selecting TR Options

Table 6-9 shows the equivalent AT commands for setting TR OPTIONS.

Table 6-9. TR Options AT Commands

Front Panel	AT Command	Description
1=IGNORED	&D0	Ignore the TR input.
2=IDLE WHEN OFF	&D2	See the following Note.
3=OFF>ON DIAL #1	&D3	Dial Stored #1: TR goes off to on (SW56 only).
4=OFF>ON DIAL #2	&D4	Dial Stored #2: TR goes off to on (SW56 only).



*For IDLE WHEN OFF option: In SW56 mode, TR off causes the DSU to go On Hook (Idle). The unit also does not dial out if TR is off. In dedicated mode, the DSU goes into DTE command mode when TR goes off. When TR goes on, if the DSU does not receive a command in the number of seconds set in S40, the DSU goes into data mode.*

## SR Options

The SR OPTIONS menu is used to select the operating mode for the data set ready (SR) lead. Press **Shift + A** to activate the SR OPTIONS sub-menu. The factory default setting is OFF TEST ONLY (shown in Figure 6-11).

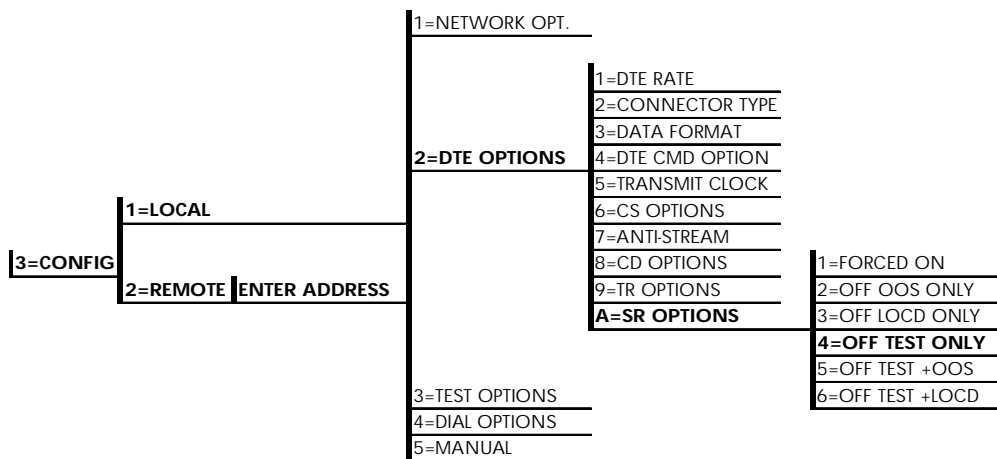


Figure 6-11. Setting SR Options

Table 6-10 shows the AT commands for setting SR OPTIONS.

**Table 6-10. SR Options AT Commands**

<b>Front Panel</b>	<b>AT Command</b>	<b>Description</b>
1=FORCED ON	&S0	Always on.
2=OFF OOS ONLY	&S1	Off when network Out Of Service (OOS).
3=OFF LOCD ONLY	&S3	Off 5 seconds after disconnect (SW56 only).
4=OFF TEST ONLY	&S0_C0	Off when unit is in test.
5=OFF TEST +OOS	&S1_C0	Off in test or OOS.
6=OFF TEST +LOCD	&S5	Off 5 seconds after disconnect or test.



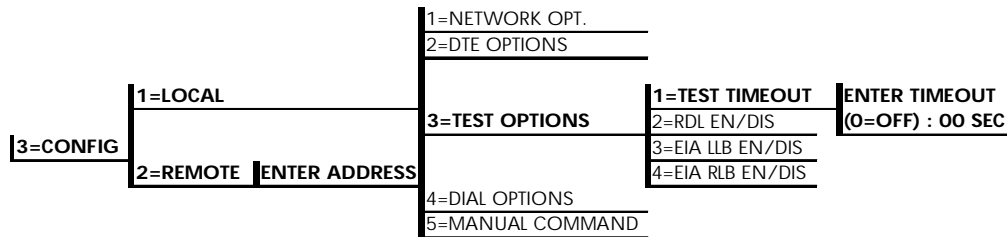


**TEST OPTIONS**

The TEST OPTIONS menu enables or disables different test modes and specifies the maximum test time allowed.

**Test Timeout**

The TEST TIMEOUT option sets the length of time a DSU III ARdc remains in a test mode before automatically returning to the data mode. Enter the timeout from 0 to 255 seconds. The factory default setting is off (0). Figure 7-1 shows the menu path used to access TEST TIMEOUT.



**Figure 7-1. Setting Test Timeout Option**

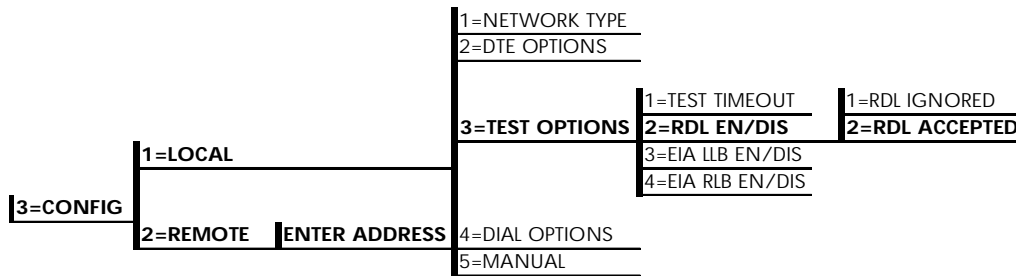
Table 7-1 shows the equivalent AT commands for setting the TEST TIMEOUT.

**Table 7-1. Test Timeout AT Commands**

Front Panel	AT Command	Description
ENTER TIMEOUT	S18=x	Specify 0 - 255 seconds test timeout

### Remote Digital Loopback

The RDL (Remote Digital Loopback) option specifies whether or not the DSU III ARdc responds to an RDL request from the far end of the circuit. The factory default setting is RDL ACCEPTED. Figure 7-2 shows the menu path used to access this option.



**Figure 7-2. Remote Digital Loopback**

Table 7-2 shows the equivalent AT commands for setting the RDL option.

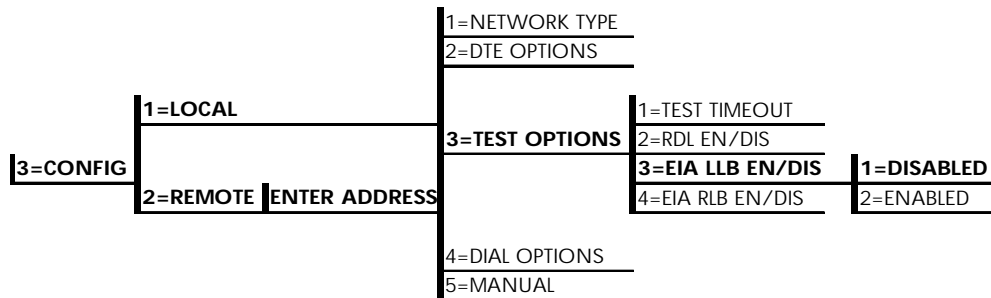
**Table 7-2. Remote Digital Loopback AT Commands**

Front Panel	AT Command	Description
1=RDL IGNORED	&T5	RDL requests from remote DSU ignored
2=RDL ACCEPTED	&T4	RDL requests accepted

### EIA Local Loopback

The EIA LLB (Electronics Industries Association Local Loopback) option specifies whether or not the DSU III ARdc responds to the LLB input from

the DTE. The factory default setting is DISABLED. Figure 7-3 shows the menu path used to access the EIA LLB option.



**Figure 7-3. EIA Local Loopback Options**

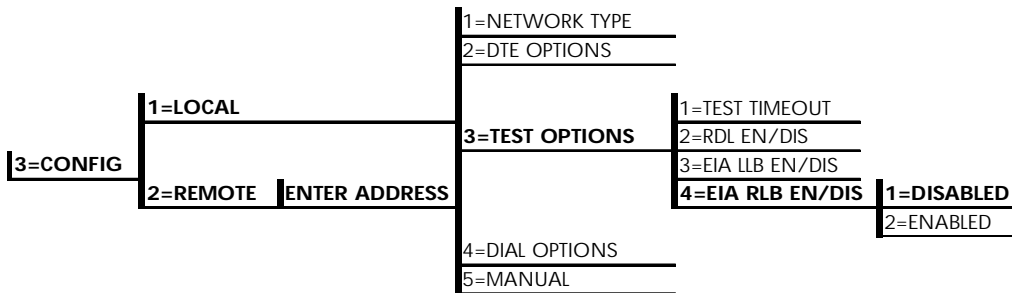
Table 7-3 shows the equivalent AT commands for setting the EIA LLB options.

**Table 7-3. EIA Local Loopback AT Commands**

Front Panel	AT Command	Description
1=DISABLED	_A0	EIA LLB disabled
2=ENABLED	_A1	EIA LLB enabled

## EIA Remote Loopback

The EIA RLB (Electronics Industries Association Remote Loopback) option specifies whether or not the DSU III ARdc responds to the RLB input from the DTE. The factory default setting is DISABLED. Figure 7-4 shows the menu path for the EIA RLB options.



**Figure 7-4. EIA Remote Loopback Options**

Table 7-4 shows the equivalent AT commands for setting the EIA RLB options.

**Table 7-4. EIA Remote Loopback AT Commands**

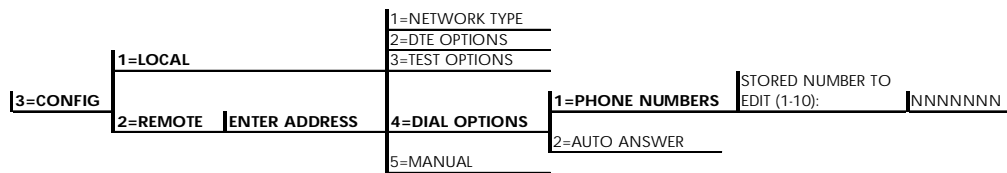
Front Panel	AT Command	Description
1=DISABLED	_R0	EIA RLB disabled
2=ENABLED	_R1	EIA RLB enabled

## DIAL OPTIONS

The DIAL OPTIONS menu stores up to ten phone numbers and defines the AUTO ANSWER operation of the DSU III ARdc when it is configured for Switched 56 operation.

### Phone Number

The DSU III ARdc stores up to ten numbers of 36 digits each. Edit a phone number by re-entering the entire number. This process overwrites the previously stored number. Figure 8-1 shows the menu path used to access the PHONE NUMBER option.



**Figure 8-1. Editing Stored Phone Numbers**

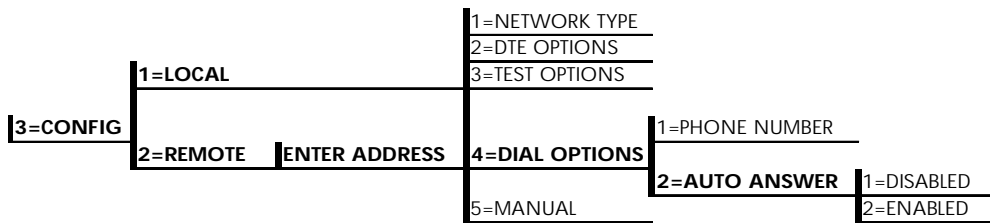
Table 8-1 shows the AT Command for storing phone numbers.

**Table 8-1. AT Command for Storing Phone Numbers**

AT Command	Description
&Zn=	Store Phone Number

### Auto Answer

The AUTO ANSWER option is used to specify how incoming calls are to be answered. If ENABLED, incoming calls are automatically answered by the DSU III ARdc. If DISABLED, an incoming call can be answered manually by an AT or V.25 command from the DTE, or by raising TR from the DTE. Figure 8-2 shows the menu path used to enable or disable this option.



**Figure 8-2. Enabling/Disabling the Auto Answer Function**

Table 8-2 shows the AT Commands available for the AUTO ANSWER option.

**Table 8-2. AT Commands for Auto Answer**

Front Panel	AT Command	Description
1=DISABLED	_J0	Auto Answer disabled
2=ENABLED	_J1	Auto Answer enabled

**MANUAL COMMAND**

The MANUAL COMMAND option is a shortcut method for entering configuration and control commands for the DSU III ARdc.

Figure 9-1 shows the menu path for MANUAL COMMAND. The available manual commands are listed in Table 9-1. When using the front panel, perform the following steps to enter a manual command:

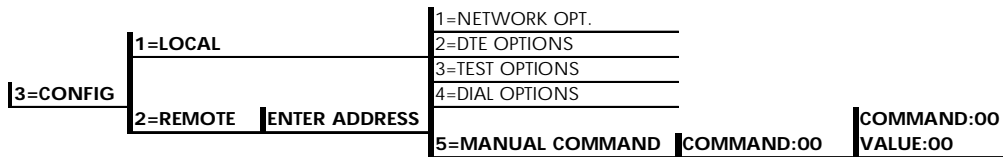
1. Select 3=CONFIG from the Main menu.
2. Select 1=LOCAL.
3. Select 5=MANUAL COMMAND.
4. The first display prompts for command number entry:

```
COMMAND: 00
```

5. Use the **Up Arrow** key to delete the current entry, then use the number keys to enter the new value. Press **Shift** to activate letters A-F.
6. Press **Enter** to complete the command entry.
7. Once the command number is entered, the display shows both the command number and the present value or setting for the command. The command value can be edited or reissued with the existing value.

```
COMMAND: XX  
VALUE: 00
```

8. Use the number keys to enter the hexadecimal value. Press **Enter** to complete. The system briefly displays Command Accepted (if the entry is valid) and returns to the active menu.



**Figure 9-1. Manual Commands**

**Table 9-1. Manual Commands**

Command Description	Command	Value
AT Command Echo		
Disable	82	00
Enable	82	01
AT Result code		
Enable	85	00
Disable	85	01
AT Long or Short code		
Short form	86	00 to FF
Long form	86	00 to FF
AT Escape Character	2	00 to FF
AT CR Character	3	00 to FF
AT LF Character	4	00 to FF
AT BS Character	5	00 to FF
AT Escape Char. Timer	0C	00 to FF
Abort Call Timer	7	00 to FF
DTR Recognize Delay (x 2.5ms)	19	00 to FF
DTR Initiated Command Timeout (seconds)	28	00 to FF
Load Factory Opt.		
Option Set #1	8A	00
Option Set #2	8A	01
Option Set #3	8A	02
Option Set #4	8A	03
Network Address Lock		



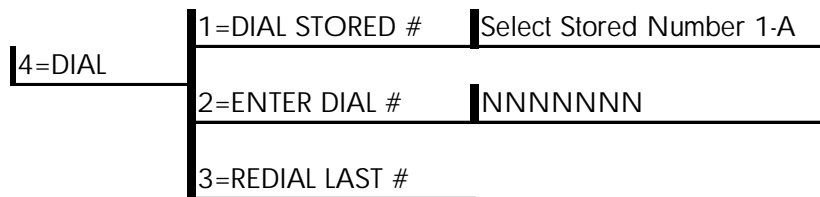
**Table 9-1. Manual Commands (Continued)**

<b>Command Description</b>	<b>Command</b>	<b>Value</b>
Network Addr. Unlock	C3	00
Network Addr. Lock	C3	01



**DIAL OPTIONS**

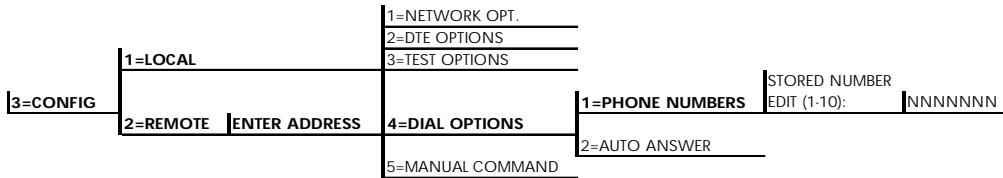
The DIAL selection available in the Main menu (4=Dial) includes options for manual dialing, redialing, and dialing stored numbers. The DIAL selection is available for use only if AT&T/MCI SW56 or US SPRINT SW56 is the selected NETWORK TYPE. Figure 10-1 shows the menu path used to access these options.



**Figure 10-1. Dial Options Menu**

**Dial Stored #**

This option allows a stored number to be dialed. The numbers are stored within the CONFIG selection. Figure 10-2 shows the menu path used to store phone numbers.



**Figure 10-2. Path to Storing Numbers Option**

See *Chapter 8 "Configuring Dial Options" on page 8-1* for more information.

**Enter Dial #**

This option allows you to enter a phone number of up to 36 digits for the DSU III ARdc to dial.

**Redial Last #**

Selecting this option redials the last phone number entered.

# Chapter 11 Testing and Troubleshooting

## TEST OVERVIEW

The DSU III ARdc performs a variety of diagnostic functions that isolate portions of the circuit to identify the problem source. Tests may be initiated and terminated from the front panel or the DTE interface. In asynchronous mode, AT commands can control the testing from the DTE interface. For synchronous operation, V.25 bis commands can provide test control.

The unit also responds to standard DDS network tests initiated from telco test centers. In addition, it can run several tests such as local and remote loopbacks to aid in problem isolation. See Figure 11-1 for an example illustration of normal operation.

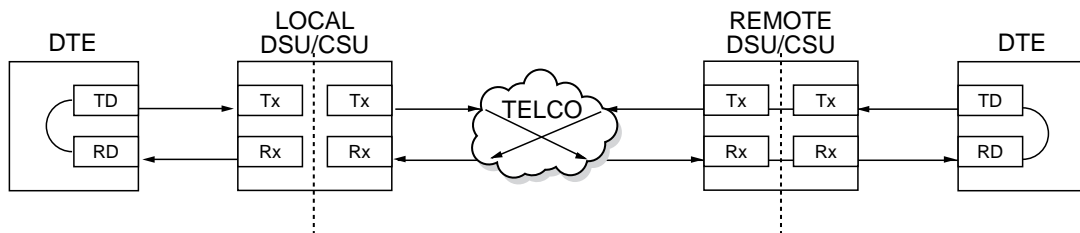


Figure 11-1. Normal Operation Before Initiating Loopback Test

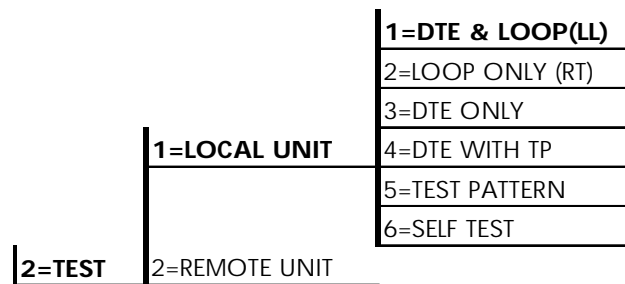


*All diagnostic tests disrupt data flow.*

## Initiating a Test

Initiate tests using the following procedure:

1. Select Test from the main menu by pressing **2**, then press **Enter**. See Figure 11-2.
2. Specify local or remote by selecting the corresponding number, followed by **Enter**.
3. Use the **Up** and **Down** Arrows to view test options.
4. Select a test from the available options by pressing the corresponding number, followed by **Enter**.
5. The example in Figure 11-2 shows the menu path for initiating a local DTE and Loop test.



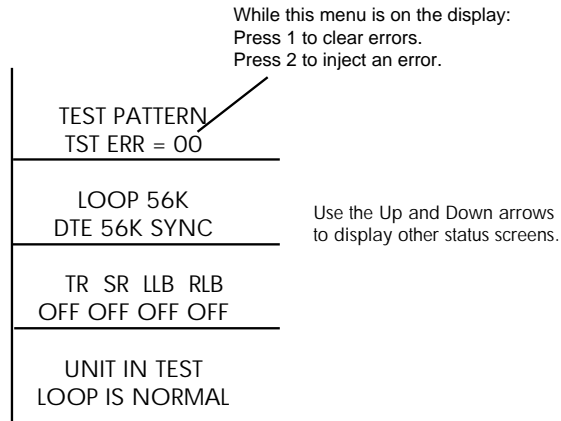
**Figure 11-2. Initiating a Test**

Once a test is initiated **Please Wait** is displayed briefly followed by the status screen.

## Test Status Display

The Test Status display appears automatically during a test. The Test Status display is similar to the status screen described in *Chapter 12 "Status Selection"* on page 12-1, with additional prompts for the type of test and the number of errors (for tests with a test pattern).

Figure 11-3 shows an example of a Test Status Display for a test with a test pattern.



**Figure 11-3. Sample Test Status Displays**

## Exiting a Test

During a test, press **Quick** to access the Exit Test/Display Status menu or press **Cancel** to return to the Main menu. The Exit Test/Display Status menu provides the following options, which are available only after a test has been initiated:

- |                |  |
|----------------|--|
| Exit Test      | Exits the current test and returns to the Main menu. |
| Display Status | Re-enters test display.                              |

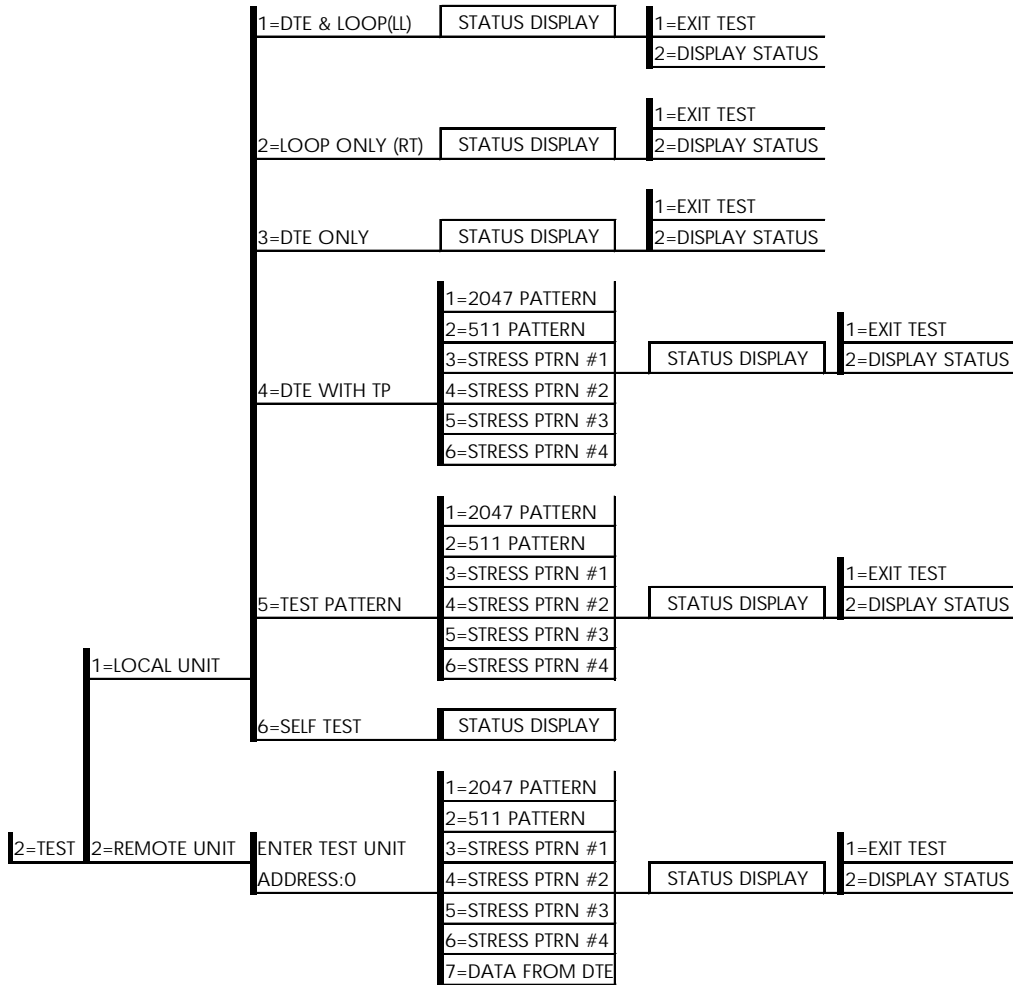


Figure 11-4. Complete Test Menu



## TROUBLESHOOTING

This section is intended to provide a quick and easy means of diagnosing suspected problems associated with local or remotely attached ADTRAN DSU/CSUs. Two separate troubleshooting sections are provided; one focuses on new installs, the other on existing circuits.

### Messages from the DSU/CSU

The DSU III ARdc displays messages on the LCD display and LEDs concerning the status of the unit and the local loop. If the Alarm LED is on, one or more of the messages shown in Table 11-1 is displayed on the LCD.



*The Status menu must be selected in order for the unit to display status messages. Pressing **Quick** returns to the main menu where **STATUS** can be selected.*

**Table 11-1. Messages from the DSU/CSU**

Message	Meaning	Probable Cause	Action
<b>LOOP IS NORMAL</b>	Good local loop signal being received from the telco.	Indicates good local loop.	No action required; unit properly connected to telco circuit.
<b>OPEN LOOP</b>	Unit not receiving a signal from the telco.	Bad telco cable from the DSU to telco jack or bad circuit to telco.	Replace telco cable from DSU to wall jack. If a problem persists, contact telco provider.
<b>NO RX SIGNAL</b>	Unit detects sealing current but no data signal from telco.	Bad conductor in telco cable from DSU to telco jack or bad circuit to telco.	Replace telco cable from DSU to wall jack. If a problem persists, contact telco provider.
<b>OOS/OOF FROM NET</b>	Unit detects an Out of Service or Out of Frame condition from the telco.	Telco is having problems with DDS circuit or remote unit is turned off or disconnected.	Check remote unit. Contact telco service provider.

<b>Message</b>	<b>Meaning</b>	<b>Probable Cause</b>	<b>Action</b>
<b>CHECK TELCO LINE</b>	Transmit/receive pair reversal detected.	Telco wall jack wired incorrectly.	Switch wire pairs in wall jack or contact telco service provider.
<b>TEST FROM TELCO</b>	Telco activated a loopback to test the DDS circuit.	Telco is testing circuit.	Wait until test is complete or contact telco service provider.

## Troubleshooting New Installs

Before initiating diagnostics on a newly installed unit and/or DDS circuit and before contacting ADTRAN Technical Support, please check the items in Table 11-2 to ensure the unit is configured properly.

**Table 11-2. Troubleshooting New Installs**

Configuration Item to Check	Option Selection	Action
DTE Type	EIA-232 or V.35	From the CONFIG menu, select the type of DTE interface option to connect to the DSU/CSU.
Loop Rate	Auto, 2.4 to 64 kbps	From the CONFIG menu, select the DDS loop rate of the DDS circuit.
Data Format	Async or Sync	From the CONFIG menu, select the type of data to be used.
DTE Cable	N/A	Verify DTE cable connection to the proper DTE connector on the DSU/CSU.
Telco Cable	N/A	Verify the telco cable is securely connected to the DSU/CSU and wall jack.
Power the unit Off and then On.	N/A	Verify the unit passes self test during power-up (displayed on the LCD).

After verifying the items listed in Table 11-2, the unit should operate properly and display the following:

DATA MODE  
LOOP IS NORMAL

If a status message other than **DATA MODE LOOP IS NORMAL** is shown, begin performing diagnostics described in the following section.

### Troubleshooting New Installs or Existing Circuits

<b>If your DSU ....</b>	<b>then...</b>
is suspected of having problems	perform a Self Test to determine the unit is in good health.
is receiving excessive errors requiring retransmission of data	perform a DTE with Test Pattern Test to determine if the unit's internal transmitter and receiver is operating error free.
continues to receive excessive errors requiring retransmission of data	perform a Remote Test to verify an error-free connection between the local and remote unit. Run the test using all available test patterns.

If an external BERT tester is available, these additional tests may be performed:

- DTE & Loop Test
- DTE Only Test
- Loop Only Test

If the unit fails any of these tests or the problem has not been determined, contact ADTRAN Technical Support; see inside back cover of this manual.

## LOCAL UNIT DIAGNOSTICS

The local DSU III ARdc can perform six different tests; see Table 11-3.

**Table 11-3. Test AT Commands**

Front Panel Display	AT Command	Description
DTE & Loop (LL)	&T10	TD/RD and RX/TX Loopbacks
Loop Only (RT)	&T11	RX/TX Loopback at DTE Interface
DTE Only	&T1	TX/RX Loopback at Network Interface
DTE with TP	&T8	RX/RX Loopback with Test Pattern
Test Pattern	&T9	Transmit/Receive Test Pattern
Self Test	Z	Check Internal Components (Resets Unit)
Exit Test	&T0	Stops test, returns to data mode
TD = Customer Transmit Data RD = Customer Receive Data TX = Network Transmit Data RX = Network Receive Data		

The test patterns shown in Table 11-4 are available for the DTE with TP and Test Pattern tests.

**Table 11-4. DTE With Test Pattern Commands**

Front Panel	AT Command	Description
1=2047 PATTERN	_T0&T8	Standard 2047 random data pattern.
2=511 PATTERN	_T1&T8	Standard 511 random data pattern.
3=STRESS PTRN #1	_T2&T8	Stress pattern with alternating high and low ones densities. Repeated pattern of 100 octets: 1111 1111; followed by 100 octets: 0000 0000.
4=STRESS PTRN #2	_T3&T8	Stress pattern with alternating medium and low ones densities. Repeated pattern of 100 octets: 0111 1110; followed by 100 octets: 0000 0000.
5=STRESS PTRN #3	_T4&T8	Stress pattern with medium ones density. Continuous series of octets: 0011 0010.
6=STRESS PTRN #4	_T5&T8	Stress pattern with low ones density. Continuous series of octets: 0100 0000.

## DTE & Loop (LL)

### Test Description

The DTE & Loop test splits the DSU III ARdc into two separate DTE and loop interface sections and then loops the receive data of each interface back to its respective transmit data. The DTE & Loop test provides a bidirectional loopback at the DSU/CSU. Figure 11-5 illustrates the loopback points and the signal paths for this test.

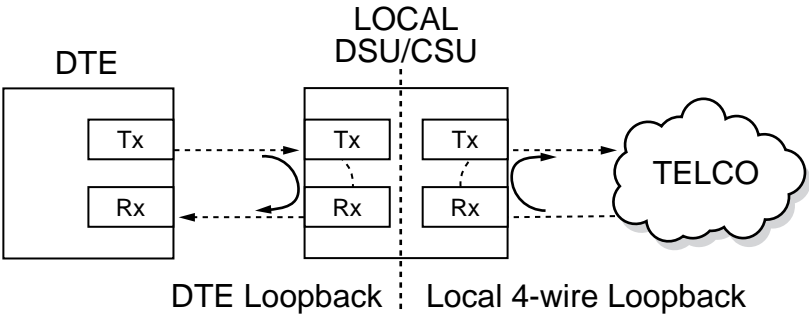


Figure 11-5. DTE & Loop Test

**Test Purpose**

The DTE & Loop test is used for the following purposes:

- Verify integrity of the DTE interface and cable.
- Provide a loopback for network tests.

**Initiating**

Follow the menu path outlined in Figure 11-6 to initiate a DTE & Loop Test.

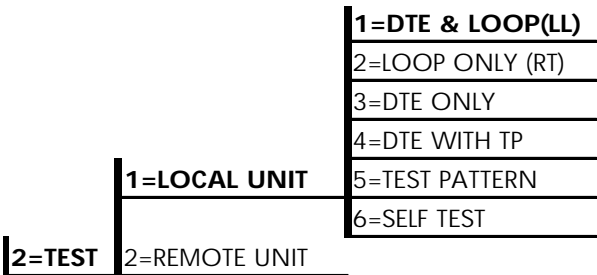


Figure 11-6. Initiating a DTE & Loop Test

### Interpreting Test Results

A BERT tester must be used to interpret the test results of a DTE & Loop test.

### Loop Only (RT)

The Loop Only (RT) test allows the loop interface and a major portion of the DTE interface for the local DSU III ARdc to be tested from the remote site over the actual communication circuit. Figure 11-7 illustrates the loopback point and the signal paths for this test.

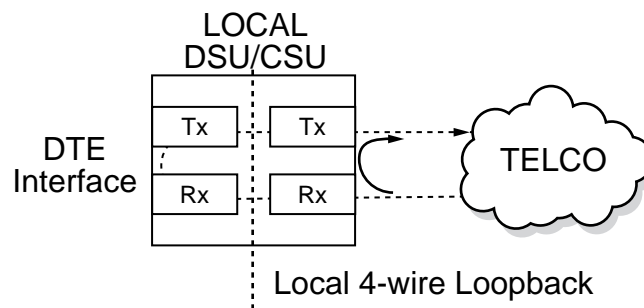


Figure 11-7. Loop Only Test

### Test Purpose

The Loop Only test is used to provide a loopback for network tests.

### Initiating

Follow the menu path outlined in Figure 11-8 to initiate a Loop Only test.



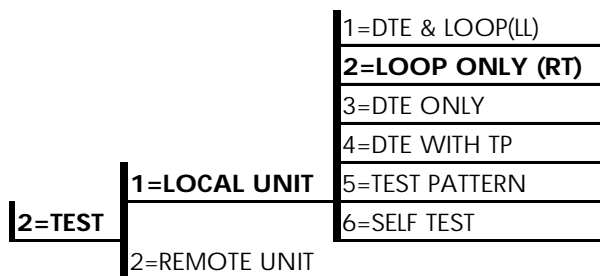


Figure 11-8. Initiating a Loop Only Test

### Interpreting Test Results

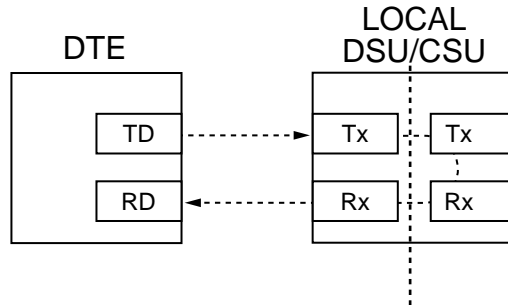
The Loop Only test is used for the purpose of looping the DDS circuit back to the telco. No test results are available from the local DSU III ARdc.

### DTE Only

The DTE Only test provides a method for testing both the DTE interface drivers and receivers of the local DSU III ARdc plus its loop transmitter and receiver. For this test, the loop transmit data is connected to the loop receive data at a point close to the physical network interface. This test can be used to verify proper operation between the local DTE and the local DSU III ARdc.



*When this test is implemented, the far unit receives an OOS/OOF message from the network and enters an alarm state.*



**Figure 11-9. DTE Only Test Diagram**

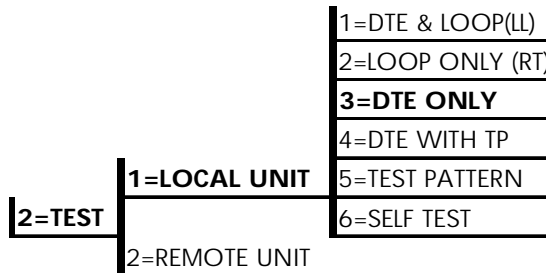
**Test Purpose**

The DTE Only test is used for the following purposes:

- Verify integrity of the DTE interface.
- Verify integrity of connection between DTE and DSU III ARdc.

**Initiating**

Follow the menu path outlined in Figure 11-10 to initiate a DTE Only test.



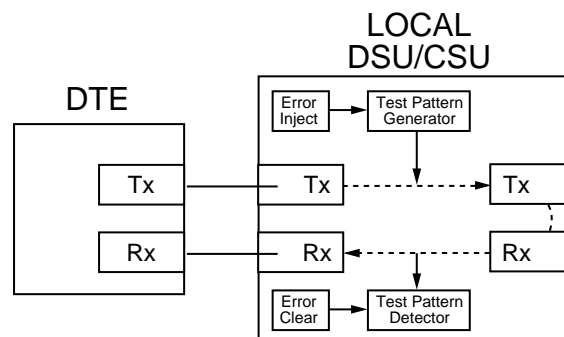
**Figure 11-10. Initiating a DTE Only Test**

## Interpreting Test Results

A BERT tester must be used to interpret the test results of a DTE Only test.

## DTE With Test Pattern

The DTE with TP (test pattern) test is similar to the DTE Only test described previously except the test pattern is generated using the DSU/CSU internal test pattern generator. This test can be used to detect deficiencies within the internal drivers and receivers of the DSU III ARdc. Figure 11-11 illustrates the loopback point and the data paths for this test.



**Figure 11-11. DTE with Test Pattern**

## Test Purpose

A DTE test using a test pattern is used for the following purposes:

- Verify integrity of the DTE interface.
- Verify integrity of connection between DTE and DSU III ARdc.

## Initiating

Follow the menu path outlined in Figure 11-12 to initiate a DTE Test using a Test Pattern.

<table border="1" style="border-collapse: collapse;"> <tr> <td style="padding: 2px 5px;">2=TEST</td> <td style="padding: 2px 5px;">1=LOCAL UNIT</td> </tr> <tr> <td style="padding: 2px 5px;"></td> <td style="padding: 2px 5px;">2=REMOTE UNIT</td> </tr> </table>	2=TEST	1=LOCAL UNIT		2=REMOTE UNIT	1=DTE & LOOP(LL)	1=2047 PATTERN
	2=TEST	1=LOCAL UNIT				
		2=REMOTE UNIT				
	2=LOOP ONLY (RT)	2=511 PATTERN				
	3=DTE ONLY	3=STRESS PTRN #1				
	<b>4=DTE WITH TP</b>	4=STRESS PTRN #2				
5=TEST PATTERN	5=STRESS PTRN #3					
6=SELF TEST	6=STRESS PTRN #4					

**Figure 11-12. Initiating a DTE Test with Test Pattern**

### Interpreting Test Results

If the unit is functioning properly, the DSU III ARdc displays:

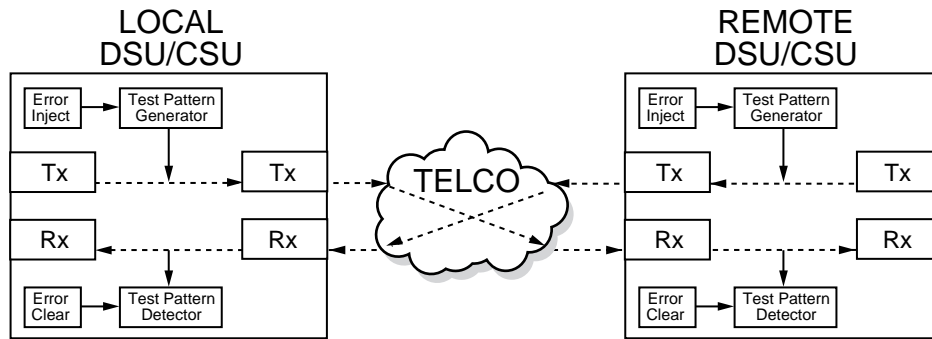
```
DTE WITH TP
TST ERR=XX
```

The first line of the display indicates the type of test being performed while the second line of the display indicates the number of errors accumulated by the test pattern detector.

If errors occur during this test, the test error count can be reset to zero by pressing **1**. To verify proper operation of this test, single bit errors can be injected into the transmitted test pattern by pressing **2**. These errors appear on the TEST ERR display.

### Test Pattern

The Test Pattern option converts the local DSU III ARdc into a BERT tester for the purpose of testing the DDS circuit. When this test is used, the remote DSU/CSU must be in loopback or transmitting a test pattern. Figure 11-13 illustrates the data paths for this mode.



**Figure 11-13. Test Pattern Only**

### Test Purpose

Testing using a test pattern does the following:

- Transmits user-selected test pattern using an internal test pattern generator, and compares the received data using internal test pattern detector to detect if there are any errors on the DDS circuit.
- Injects errors and verifies the unit transmits data across the communication circuit to the remote unit.
- Helps determine from which direction the circuit is receiving errors.

### Initiating

Follow the menu path outlined in Figure 11-14 to initiate a test using a test pattern.

		1=DTE & LOOP(LL)	1=2047 PATTERN
		2=LOOP ONLY (RT)	2=511 PATTERN
		3=DTE ONLY	3=STRESS PTRN #1
		4=DTE WITH TP	4=STRESS PTRN #2
	<b>1=LOCAL UNIT</b>	<b>5=TEST PATTERN</b>	5=STRESS PTRN #3
<b>2=TEST</b>		6=SELF TEST	6=STRESS PTRN #4
	2=REMOTE UNIT		

**Figure 11-14. Initiating a Test Using a Test Pattern**

### Interpreting Test Results

If the unit is functioning properly, the display should show the following:

TST ERR = 00

### Self Test

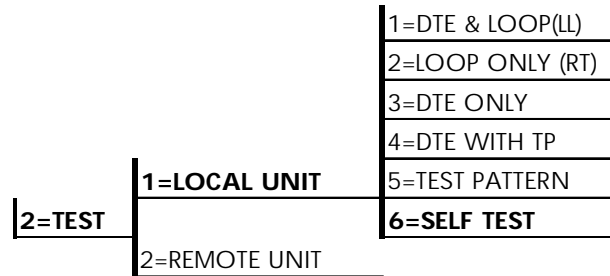
The Self Test verifies current operation of the DSU III ARdc. It can be performed at any time and is recommended if there is any question about the DSU's health.

#### Test Purpose

To determine if the DSU is functioning properly.

#### Initiating

Follow the menu path outlined in Figure 11-15 to initiate a test using a test pattern.



**Figure 11-15. Initiating a Self Test**

### Interpreting Test Results

Once Self Test is activated, the LEDs cycle on and off as the system runs the self test. A pass or fail status will be displayed on the LCD along with a checksum indicating the current firmware revision.

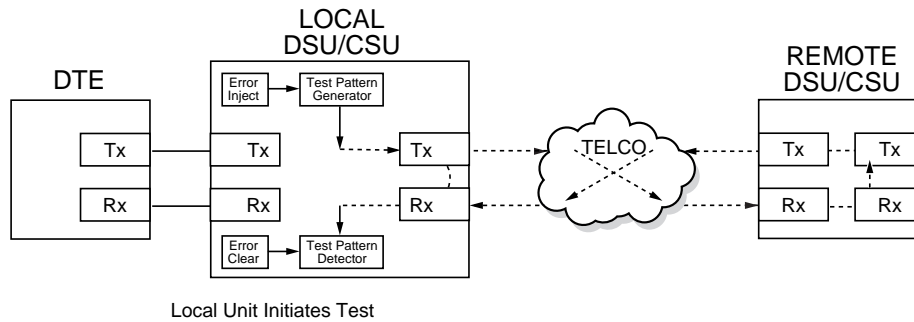
## REMOTE UNIT DIAGNOSTICS

A remote DSU III ARdc can perform seven different tests; see Table 11-5.

**Table 11-5. Remote Tests and AT Commands**

Front Panel	AT Command	Description
1=2047 PATTERN	_T0&T7	Standard 2047 random data pattern
2=511 PATTERN	_T1&T7	Standard 511 random data pattern
3=STRESS PTRN #1	_T2&T7	DDS Stress Pattern #1
4=STRESS PTRN #2	_T3&T7	DDS Stress Pattern #2
5=STRESS PTRN #3	_T4&T7	DDS Stress Pattern #3
6=STRESS PTRN #4	_T5&T7	DDS Stress Pattern #4
7=DATA FROM DTE	&T6	Data from DTE

The Remote Unit submenu allows a remotely installed DSU to be placed into loopback. There are six test patterns to choose from, or Data from the DTE may be selected.



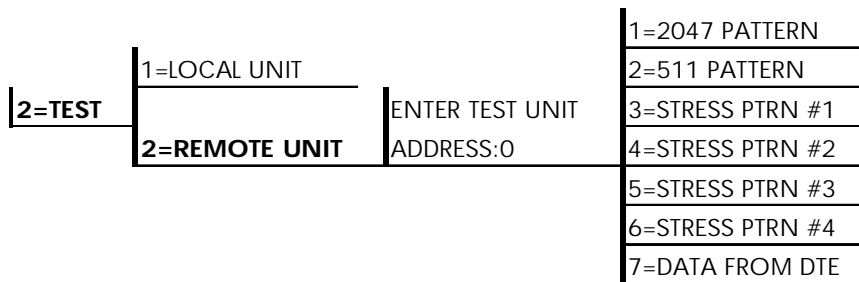
**Figure 11-16. V.54 RDL with Test Pattern**

**Test Purpose**

Test the local DSU, the DDS circuit, and remote DSU.

**Initiating**

Follow the menu path outlined in Figure 11-17 to place a remote DSU III ARdc into loopback.



**Figure 11-17. Initiating a Remote Test**



After selecting Remote Unit from the menu, the following prompt is displayed for entering the address for the remote unit:

```
ENTER TEST UNIT
Address:XX
```

Use the number keys to type the address of the remote DSU, then press **Enter**. The test pattern selections are displayed. After a test pattern is selected, the system briefly displays **Please Wait**.

### Test Results

If the test is successful the status menu is displayed. If not, **Unable to Execute Test** is displayed.

### Interpreting Test Results

If the unit is functioning properly, the display should show:

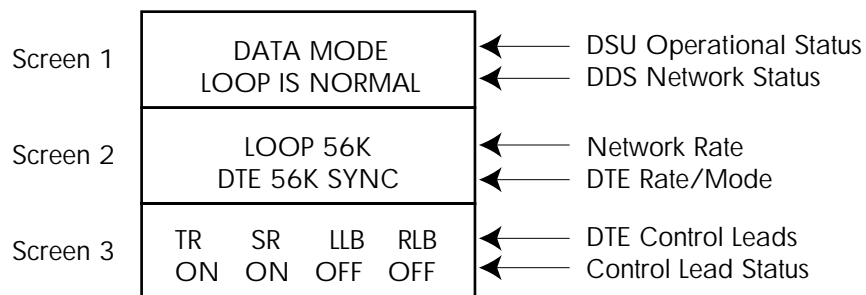
```
TST ERR = 00
```



**STATUS DISPLAY**

The STATUS selection displays two lines at a time of the current operational status of the network and the DTE interfaces.

After 30 seconds of no front panel operation, the DSU III ARdc automatically reverts to the status display. Examples of possible status displays are shown in Figure 12-1.



**Figure 12-1. Examples of Status Displays**

## **DSU Operational Status**

Possible messages include:

### **DATA MODE**

The unit is ready to pass data if network status is normal.

### **UNIT IN TEST**

The unit is in test. Scroll to next status menu for test type.

### **DTE COMMAND MODE**

The unit is in command mode from the DTE (AT or V.25 bis).

In SW56 mode the following messages are possible:

### **IDLE**

The unit is idle, waiting for a call or a dial command.

### **INCOMING CALL**

The unit has detected an incoming call.

### **DIALING**

The unit is dialing a number.

## **DDS Network Status**

This line of the display shows the current status of the dedicated network interface. Possible messages include:

### **LOOP IS NORMAL**

The DSU is connected to the dedicated line. No line irregularity detected.

**OPEN LOOP**

The DDS physical connection has been broken.

**NO RX SIGNAL**

The DSU III ARdc detects sealing current but no receive signal.

**CHECK TELCO LINE**

The DSU III ARdc detects a possible reversal in the Rx and Tx pairs.

**OOS/OOF FROM NET**

The DSU III ARdc detects an abnormal condition code from the network.

**NO FRAME SYNC**

The DSU III ARdc cannot sync on the signal from the telco (64k mode only).

**TEST FROM TELCO**

The DSU III ARdc is in a test initiated from the telco. Scroll to next status menu for test type.

**RATE ADAPTING**

The DSU III ARdc is attempting to determine the loop rate provided from the telco.

In SW56 mode the following messages are possible:

**ANSWERING CALL**

The DSU III ARdc is answering an incoming call.

**NO WINK FROM CO**

The DSU III ARdc did not see a proper signal from the network during dialing.

### **CALL DISCONNECT**

The SW56 connection was terminated.

### **Network Rate**

The message displayed on this line of the Status display screen indicates the rate of the service configured for the network.

### **DTE Rate/Mode**

The message displayed on this line of the Status display screen indicates the DTE data rate and format.

### **DTE Control Leads and Status**

Four additional DTE interface leads are displayed with their current status (on or off) displayed below them. The leads are identified as follows:

TR - Data terminal ready

SR - Data set ready

LLB - Local loopback

RLB - Remote loopback

Table A-1 shows the AT commands available for the DSU III ARdc.

**Table A-1. AT Commands**

Command	Title	Default
A/	Re-execute Command	none
ATA	Answer	none
ATDn	Dial Number	none
ATE	Echo Command	1
ATH	Hang Up Call	none
ATO	Go Online	none
ATQn	Result Code Display	0
ATSn?	Read S-Register	none
ATSn=x	Write to S-Register	none
ATVn	Result Code From	1
ATZ	Reset	none
AT&Cn	DCD Option	0
AT&Dn	DTR Option	0
AT&Fn	Restore Factory Options	none
AT&Kn	Flow Control	none
AT&Ln	Network Type	0
AT&Qn	DTE Data Format	0
AT&Rn	CS Options	0
AT&Sn	SR Options	0
AT&Tn	Test Commands	0
AT&V	View Current Configuration	none
AT&Xn	Transmit Clock	0

**Table A-1. AT Commands (Continued)**

<b>Command</b>	<b>Title</b>	<b>Default</b>
AT&Yn	Power Up User Profile	0
AT&Zn=x	Store Phone Number	none
AT%Bn	Loop Rate Select	0
AT%Kn	DTE Rate Select	
AT%P	Password Control	0
AT%P=x	Password Entry	0
T%P>x	Password Verify	0
AT%R	Initiate Remote Config.	
AT%Tn	Anti-stream Option	0
AT_An	LLB Control	0
AT_Cn	SR Control During Test	0
AT_Dn	RTS-CTS Delay	0
AT_Fn	Scrambler Control	0
AT_Jn	Auto Answer Enable/Disable	0
AT_N=xx	Set Network Address	none
AT_Pn	Front Panel Enable/Disable	0
AT_Rn	LB Enable/Disable	0
AT_S=xx	Set Serial Number	none
AT_Tn	Select Test Pattern	0
AT_Xn	Clock Source Select	0



# Appendix B Default Configuration Profiles

---

## DEFAULT CONFIGURATION PROFILES

The DSU III ARdc contains four different user profiles (sets of configurations options) stored in read-only memory (see Table B-1). The unit is shipped from the factory with profile 1 loaded into the nonvolatile configuration memory. See *Chapter 2 "Installation"* and *Chapter 9 "Manual Command"* for more information.

### Profile 1

Profile 1 is configured for a 56 kbps, synchronous, point-to-point or dial up operation with a V.35 connector.

### Profile 2

Use profile 2 for a 56 kbps, synchronous, point-to-point or dial up operation with an EIA-232 connector.

### Profile 3

Use profile 3 for a SW56, asynchronous operation with CS and CD forced on.

### Profile 4

Use profile 4 for a SW56 operation with DTR idle when off.

**Table B-1. Default Configuration Profiles**

	Profile Numbers			
	(00) 1	(01) 2	(02) 3	(03) 4
<b>Manual Command</b>				
Escape Character	43=2BH	43=2BH	43=2BH	43=2BH
CR Character	13=0DH	13=0DH	13=0DH	13=0DH
LF Character	10=0AH	10=0AH	10=0AH	10=0AH
BS Character	8	8	8	8
SW56 Abort Call Timer	50=32H	50=32H	50=32H	50=32H
Escape Guard Timer	50=32H	50=32H	50=32H	50=32H
Command Echo	Enable	Enable	Enable	Enable
Result Code	Enable	Enable	Enable	Enable
Long or Short Code	Long	Long	Long	Long
Test Pattern Type	2047	2047	2047	2047
CS Delay	Short	Short	Short	Short
DTR Recog. Delay (x2.5ms)	3	3	3	3
DTR Command Timeout (x1 sec)	8	8	8	8
Front Panel En/Dis	Enable	Enable	Enable	Enable
AT Password Control	Disable	Disable	Disable	Disable
<b>Network Options</b>				
Loop Rate	AUTO	AUTO	56k	AUTO
Network Address	0	0	0	0
Remote Conf. En/Dis	Enable	Enable	Enable	Enable
Network Type	Dedicated	Dedicated	AT&T/MCI SW56	AT&T/MCI SW56
Clock Source	From Network	From Network	From Network	From Network
<b>DTE Options</b>				
Remote DSU Address	0	0	0	0
DTE Rate (56/64k loop)	Same as Loop	Same as Loop	Same as Loop	Same as Loop
Scrambler Mode	OFF	OFF	OFF	OFF
Connector Type	V.35	EIA232	EIA232	V.35
DTE Data Format	SYNC	SYNC	ASYNC	SYNC

**Table B-1. Default Configuration Profiles (Continued)**

	Profile Numbers			
	(00) 1	(01) 2	(02) 3	(03) 4
DTE Command Options	DIS	DIS	DIS	DIS
Transmit Clock	Normal	Normal	Normal	Normal
CS Options	Follow RS	Follow RS	Forced On	Follow RS
Anti-stream Timer	Timer Off	Timer Off	Timer Off	Timer Off
CD Options	Normal	Normal	Forced On	Normal
TR Options	Ignored	Ignored	Ignored	Idle When Off
SR Options	Off Test+OOS	Off Test+OOS	Off Test+OOS	Off Test+OOS
<b>Test Options</b>				
Test Timeout	Off	Off	Off	Off
RDL En/Dis	RDL Accepted	RDL Accepted	RDL Accepted	RDL Accepted
EIA Controlled LLB	Disable	Disable	Disable	Disable
EIA Controlled RLB	Disable	Disable	Disable	Disable
<b>Dial Options</b>				
Auto Answer	Enable	Enable	Enable	Enable

Appendix B. Default Configuration Profiles

---

# Appendix C DSU-to-Modem Interconnect

---

## MODEM TAIL CIRCUIT APPLICATION

A DSU-to-modem interconnect diagram for a modem tail circuit application is shown in Figure C-1.

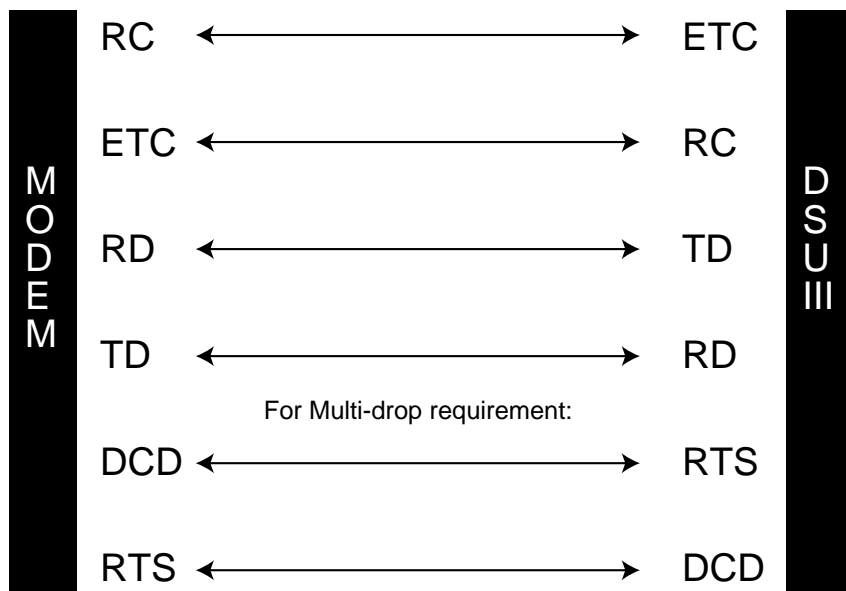
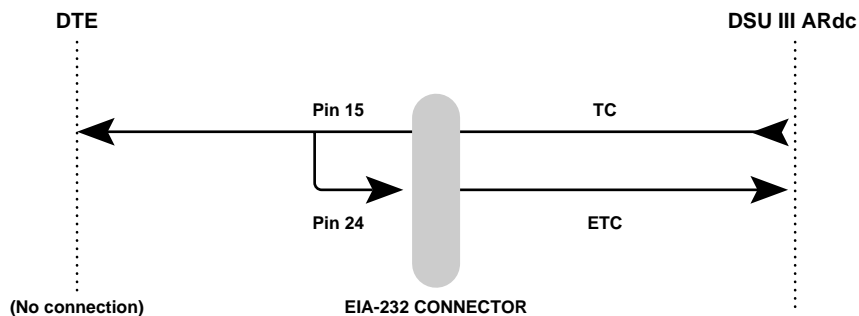


Figure C-1. DSU-to-Modem Interconnect



**56 AND 64 KBPS APPLICATION**

The EIA-232 connector, shown in Figure D-1, may be used for 56 and 64 kbps applications. Using the external clock option and this cable should eliminate data errors caused by excessive delays in the DTE transmit clock receiver and transmit data driver. When creating this cable at the DTE interface EIA-232 connector, tie transmit clock lead (TC) to external transmit (ETC) as shown.



**Figure D-1. EIA-232 Connector**

Appendix D. EIA-232 Connector

---



### **SPECIFICATIONS AND FEATURES**

This section describes the standard specifications and features incorporated in the DSU III ARdc.

#### **Operating Modes**

Dedicated DDS (point-to-point, multipoint)  
Switched 56 (4-wire)

#### **Data Rates**

Dedicated mode service rate: 2.4, 4.8, 9.6, 19.2, 38.4, 56, and 64 kbps  
Switched mode service rate: 56 kbps

#### **DTE Rates**

DTE rates match service rates  
DTE-to-loop rate matching in both dedicated and switched modes  
Synchronous rates: 1.2, 2.4, 4.8, 9.6, 19.2, 38.4, 56, and 64 kbps  
Asynchronous rates: 1.2, 2.4, 4.8, 9.6, 19.2, 38.4, and 57.6 kbps

#### **FCC Approval**

FCC part 15, class A and part 68

#### **DTE Interfaces**

Both EIA-232 and V.35 electrical and physical DTE interfaces

#### **Data Buffering**

Internal slack buffer

### **Clocking**

Normal DDS or private network tributary  
(slaved to network receive clock)  
Private network master (internal clock)  
Normal DDS with tail circuit  
Private network master (slaved to external clock)

### **Switched Mode Dialing Options**

Stored number  
Front panel keypad  
DTR dialing of stored number  
In-band AT commands  
V.25 bis in-band dialing

### **Diagnostics**

Network: CSU and DSU loopbacks  
User: Local DTE and loop, remote V.54  
Test Patterns: 2047, 511, DDS , stress patterns 1 to 4

### **Line Requirements**

Loop transmission parameters as defined in:  
AT&T PUB 62310: Dedicated DDS  
AT&T PUB 41468: Switched 56  
SPRINT TS 0046: Switched 56

### **Line Interface**

RJ-48S, 4-wire, full duplex

### **Receiver Sensitivity**

-45 dB at all rates

**Environment**

Operating Temperature: 0°C to 50°C (32°F to 122°F)

Storage Temperature: -20°C to 70°C (-4°F to 158°F)

Relative Humidity: Up to 95% noncondensing

Dimensions: 2.25"H, 8.75"W, 10.25"D

Weight: 3 lbs

**Power**

24 to 48 VDC, 8 W

**MTBF**

334,561 hours

Appendix E. Specifications Summary

---

# Glossary

---

**2047**

A pseudorandom test pattern that is repeated every 2047 bits; used to test DSU/CSUs.

**511**

A pseudorandom test pattern that is repeated every 511 bits; used to test DSU/CSUs.

**4-wire switched 56**

An AT&T proprietary 56/64 kbps switched digital data service offered by telco service providers and delivered to users over 4 copper wires. Compatible with the ADTRAN DSU III S4W and with the DSU III TDM 4-wire Switched 56 TDM option.

**asynchronous**

A method of data transmission which allows characters to be sent at irregular intervals by preceding each character with a start bit, followed by a stop bit.

**AT commands**

Also known as the Hayes® Standard AT Command Set. A language that enables PC communications software to control asynchronous and Hayes-compatible modems. "AT" is short for attention.

**AWG**

American Wire Gauge. Standard measuring gauge for nonferrous conductors (i.e., non-iron and non-steel). The higher the AWG number, the thinner the wire.

**BERT**

Bit error rate test. A known pattern of bits is transmitted and the errors received are counted to figure the bit error rate. The idea is to measure the quality of data transmission. The bit error rate is the ratio of received bits that are in error, relative to the number of bits received (usually expressed in a power of 10).

**bisync**

Bisynchronous transmission. A half-duplex, character-oriented, synchronous data communications transmission method originated by IBM in 1964.

**carrier detect**

CD. A signal generated by a DCE (a modem or DSU/CSU). CD informs the DTE device if the DCE is receiving a carrier signal from the line. If the CD light is on, the device is speaking to another device.

**channel service unit**

CSU. A DCE device used to connect a digital phone line (T1 or Switched 56 line) coming in from the phone company to either a multiplexer, channel bank, or directly to another device producing a digital signal (for example, a digital PBX, a PC, or data communications device). A CSU performs certain line-conditioning and equalization functions, and responds to loopback commands sent from the central office. A CSU regenerates digital signals, monitors them for problems, and provides a way of testing the digital circuit.

**clocking**

An oscillator-generated signal that provides a timing reference for a transmission link. A clock provides signals used in a transmission system to control the timing of certain functions. The clock has two functions: (1) to generate periodic signals for synchronization, and (2) to provide a time base.

**controller card**

The card installed in slot 1 of an ADTRAN SMART 16 shelf, used to connect a VT 100 terminal or DATAMATE for configuring SMART 16 DSU/CSU products.

**customer premise equipment**

CPE. All telecommunications terminal equipment located on the customer premises, including telephone sets, private branch exchanges (PBXs), data terminals, and customer-owned coin-operated telephones.

**clear to send**

CTS (also called CS). A signal on the DTE interface indicating that the DCE is clear to send data.

**DATAMATE**

An ADTRAN designed and manufactured device that provides a hand-held means of configuring the SMART 16 shelf. The DATAMATE plugs into the front of the controller card and provides a 2x16 LCD display and full numeric keypad.

**data service unit**

DSU. A device designed to transmit and receive digital data on digital transmission facilities.

**digital data service**

DDS (also called Digital Data System). A private line digital service, for transmitting data end-to-end at speeds of 2.4, 4.8, 9.6, and 56 kbps and in some cases 19.2, 38.4, or 64 kbps. The systems can use central hub offices for obtaining test access, bridging legs of multi-point circuits, and cross connecting equipment. DDS is offered on an inter-LATA basis by AT&T and on an intra-LATA basis by the Bell operating companies.

**data set ready**

SR. A signal on the EIA-232 interface that indicates if the communication is connected and ready to start handshaking control signals so communication can begin.

**data terminal equipment**

DTE. In the EIA-232C standard specification, the EIA-232C is connected between the DCE and a DTE. The main difference between the DCE and the DTE is that pins two and three are reversed.

**dB**

Decibel. A unit of measure of signal strength, usually the relation between a transmitted signal and a standard signal source.

**DTE to loop rate matching**

A feature designed into ADTRAN DSU/CSU products that allows slower DTE devices to communicate over 56/64 kbps digital circuits.

**DTR**

Data terminal ready. A control signal sent from the DTE to the DCE that indicates the DTE is powered on and ready to communicate.

**EIA-232**

A set of standards specifying various electrical and mechanical characteristics for interfaces between computers, terminals, and modems. Defines the mechanical and electrical characteristics for connecting DTE and DCE data communications devices. It defines what the interface does, circuit functions, and their corresponding connector pin assignments. The standard applies to both synchronous and asynchronous binary data transmission.

**EIA-366**

An EIA interface standard for autodialing.

**FCC part 15 of class A**

Radiated and conducted emissions standards set for commercial and industrial use.

**FCC part 15 of class B**

Radiated and conducted emissions standards set for residential use.

**FCC part 68**

FCC Rules and regulations intended to provide protection of the telephone network from harm caused by connection of equipment to the network.

**full duplex**

A circuit designed to transmit and receive data simultaneously.

**half duplex**

A circuit designed to both transmit and receive data, but not at the same time.

**in-band**

Signaling (dialing, diagnostics, management, configuration, etc.) over the same channel used for data.

**ISDN**

Integrated Services Digital Network. A network architecture that enables end-to-end digital connections. The network supports diverse services through integrated access arrangements and defines a limited set of standard, multipurpose interfaces for equipment vendors, network providers, and customers. Interworking with a public switched telephone network is retained.



**LATA**

Local Access and Transport Area. One of 161 local geographical areas in the US within which a local telephone company may offer telecommunications services—local or long distance.

**local DTE and loop test**

A test initiated by the user that loops the DSU to the central office and back. This is used to test the local DSU's DTE and local loop.

**multi-point**

A communications arrangement in which multiple devices share a common transmission channel, although only one may transmit at a time. Also referred to as multi-drop.

**nonvolatile memory**

Memory that is not lost when the power is shut off.

**out-of-band**

Signaling that is separated from the channel carrying information (voice, data, video, etc.). Typically the separation is accomplished by a filter. The signaling includes dialing and other supervisory signals.

**parity bit**

A binary bit appended to an array of bits to make the sum of all the bits always odd or always even.

**point-to-point**

A private circuit, conversation, or teleconference in which there is one person at each end, usually connected by some dedicated transmission medium.

**read only memory**

ROM. A memory device which is programmed at the factory and whose contents thereafter cannot be altered.

**remote configuration**

A feature designed into ADTRAN DSU/CSU products that allows a remote DSU/CSU to be configured from a local DSU/CSU or VT 100 compatible terminal.

**scrambler**

A device that transposes or inverts signals, or otherwise encodes a message at the transmitter, to make it unintelligible at a receiver not equipped with an appropriately set descrambling device.

**synchronous data link control**

SDLC. A bit-oriented synchronous communications protocol developed by IBM where the message may contain any collection or sequence of bits without being mistaken for a control character.

**service**

The provision of telecommunications to customers by a common carrier, administration, or private operating agency using voice, data, and/or video technologies.

**simple network management protocol**

SNMP. A control and reporting scheme widely used to manage devices from different vendors. SNMP operates on top of the Internet protocol.

**start bit**

In asynchronous data communications, characters are sent at arbitrary intervals. In order for the computer to make sense of what is coming in, each character starts its transmission with a start bit. This way if the first bit of the character to be transmitted is a 0, the fact of receiving a start bit (always a 1) tips off the computer that the next bit is part of a transmitted character and not just part of the inter-character gap. See stop bit.

**stop bit**

The stop bit is an interval at the end of each asynchronous character that allows the receiving computer to pause before the start of the next character. The stop bit is always a 0. See start bit.

**switched**

In regard to DSU/CSUs, the ability to perform the functions of establishing and releasing connections on a per call basis between two or more circuits, services, or communications systems. The DSU III S2W and DSU III S4W are examples of Switched 56 DSU/CSUs.

**synchronous**

Communications in which the timing is achieved by sharing a single clock. Each end of the transmission synchronizes itself with the use of clocks and information sent along with the transmitted data.

**tail circuit**

A feeder circuit, which may be digital or analog, that provides an access line to a digital or analog network.

**UL**

Underwriters Laboratories. A laboratory established by the National Board of Fire Underwriters that tests equipment, materials, and systems that may affect insurance risks, with special reference to fire dangers and other hazards to life.

**V.25 bis**

Automatic calling and answering command set including the ability to work with async, bisync, and HDLC devices. Provides a small subset of the functions of the Hayes Standard AT Command Set.

**V.35**

CCITT standard for trunk interface between a network access device and a packet network that defines signaling for data rates greater than 19.2 kbps.

**VT 100**

A non-intelligent terminal or terminal emulation mode used for asynchronous communications. Used to configure the ADTRAN SMART 16 Shelf.

Glossary

---

# Index

---

## A

- alarm indication 3-6
- answer
  - call 12-2
- answering call 12-3
- anti-stream 6-10
  - AT command 6-11
  - factory default 6-11
- AT commands 2-5, 11-1, 11-9
  - anti-stream 6-11
  - clear to send (CS) 6-9
  - data format 6-5
  - data set ready (SR) 6-15
  - data terminal ready (TR) 6-13
  - DTE
    - rate 6-1
  - EIA local loopback (LLB) 7-3
  - EIA remote loopback (RLB) 7-4
  - phone number 8-2
  - scrambler on/off 6-2
  - test timeout 7-2
  - transmit clock 6-7

## C

- call disconnect 12-4
- cancel 3-3, 3-6
- carrier detect (CD) 3-6, 6-12
- check telco line 12-3
- clear to send (CS) 3-6, 6-8
  - AT commands 6-9
- clock source 5-5
- configuration 2-4
  - dial backup 8-1

- DTE options 6-1
  - local 4-1
  - network options 5-1
  - test options 7-1
- configuration (CONFIG) 3-2
- configuration local (CNL) 2-9
- configuration remote (CNR) 2-9
- connector
  - EIA-232 D-1
- connector type 6-4
  - factory default 6-4
- customer service 2-1

## D

- data buffering E-1
- data format 6-5
  - AT commands 6-5
  - factory default 6-5
- data mode 12-2
- data set ready (SR) 12-4
  - AT commands 6-15
  - factory default 6-14
- data terminal ready 12-4
- data terminal ready (TR)
  - AT commands 6-13
  - factory default 6-13
- DDS network status 12-2
- Diagnostics E-2
- dial 3-2
- dial backup
  - configuration 8-1
- dial options 4-1, 10-1
- dial up operation B-1

- dialing 12-2
- digital data service (DDS) 1-1, 5-6
- down arrow 3-3, 3-5
- DSU operational status 12-2
- DSU to modem interconnect C-1
- DTE & loop (LL) 11-10
- DTE command mode 12-2
- DTE command option 6-6
- DTE connectors 3-6
- DTE data connection 2-2
- DTE interface 3-7, 11-1
- DTE interface parameters 4-1
- DTE only 11-13
- DTE options 4-1
- DTE rate 6-1, 12-4
  - AT Commands 6-1
  - factory default 6-1
- DTE rate same as the network 6-1
- DTE rates
  - for 56 kbps loop rate 6-1
  - for loop rates of 2.4 - 38.4 kbps 6-3
  - for Loop Rates of 2.4, 9.6, 19.2, and 38.4 kbps 6-3

**E**

- EIA local loopback (LLB) 7-2
  - AT commands 7-3
- EIA remote loopback (RLB) 7-3
  - AT commands 7-4
- EIA-232 connector D-1
- enter 3-3, 3-4
- exit test 11-3
- external clock 6-7, D-1

**F**

- function keys 3-3

**I**

- incoming call 12-2
- installation 2-1

- INV 2-8
- INVBL 2-8
- INVBM 2-8
- INVCU 2-8
- INVPS 2-8
- INVPV 2-8

**L**

- LCD window 3-4
- LED
  - description 3-6
- local configuration 4-1
- local loopback 11-1, 12-4
- local unit
  - test 11-9
- loop only (RT) 11-12
- loop rate 3-3, 5-1

**M**

- main menu 3-1, 3-5, 11-3
- manual command 4-1, 9-1
- menu structure 3-1
- modem tail circuit
  - application C-1
- modem tail circuit application 6-7, C-1

**N**

- network
  - interface connection 2-2
  - interface parameters 4-1
- network address 5-3
- network options 3-3, 4-1, 5-1
- network rate 12-4
- no frame sync 12-3
- no Rx signal 12-3
- no wink from CO 12-3
- numeric keypad 3-4

**O**

- OOS/OOF from net 12-3

open loop 12-3  
operation 3-1, 11-1

## P

phone number 8-1  
    AT commands 8-2  
pin assignments  
    line 1 connector 2-2  
    primary EIA-232 connector 2-3  
    primary V.35 connector 2-3, 2-4  
point-to-point operation B-1  
power connection 3-7  
power switch 3-7  
power up 2-1  
primary V.35 3-7

## Q

quick 3-5

## R

rate adapting 12-3  
rear panel 3-6  
receipt inspection 2-1  
receive data 3-6  
remote command 2-10  
remote configuration  
    AT commands 5-4, 5-5  
    enable/disable 5-3  
remote loopback 11-1, 12-4  
request to send 3-6  
return material authorization (RMA) 1-3

## S

scrambler on/off 6-2  
    AT commands 6-2  
    factory default 6-2  
self test 11-18  
shift 3-5

status 3-1  
synchronous operation 11-1

## T

telco jack 3-6  
test 3-2  
    DTE only 11-13  
    self 11-18  
    test pattern 11-16  
test commands 11-9  
test from telco 12-3, 12-4  
test mode manual 3-6  
test options 4-1  
    configuration 7-1  
test pattern 11-16  
test timeout 7-1  
    AT commands 7-2  
transmit clock 6-7, D-1  
    AT command 6-7  
transmit data 3-6  
troubleshooting new installs 11-7

## U

unit dialing options 4-1  
unit test options 4-1  
up arrow 3-3, 3-6  
user profiles 4-1

## V

V.25 bis commands 2-6, 11-1  
    asynchronous option 2-7  
    bi-sync option 2-7  
    SDLC option 2-6  
V.35 connector 2-3  
VALA 2-8

## W

warranty 1-3

## Index

---



## Product Support Information

### Pre-Sales Inquiries and Applications Support

Please contact your local distributor, ADTRAN Applications Engineering, or ADTRAN Sales:

Applications Engineering (800) 615-1176  
Sales (800) 827-0807

### Post-Sale Support

Please contact your local distributor first. If your local distributor cannot help, please contact ADTRAN Technical Support and have the unit serial number available.

Technical Support (888) 4ADTRAN

### Repair and Return

If ADTRAN Technical Support determines that a repair is needed, Technical Support will coordinate with the Customer and Product Service (CAPS) department to issue a Return Material Authorization (RMA) number. For information regarding equipment currently in house or possible fees associated with repair, contact CAPS directly at the following number:

CAPS Department (256) 963-8722

Identify the RMA number clearly on the package, and return to the following address:

ADTRAN, Inc.  
CAPS Department  
6767 Old Madison Pike  
Progress Center  
Building #6 Suite 690  
Huntsville, Alabama 35807