

GW-LE8

Selective Call Audio Module for Open Voice Systems

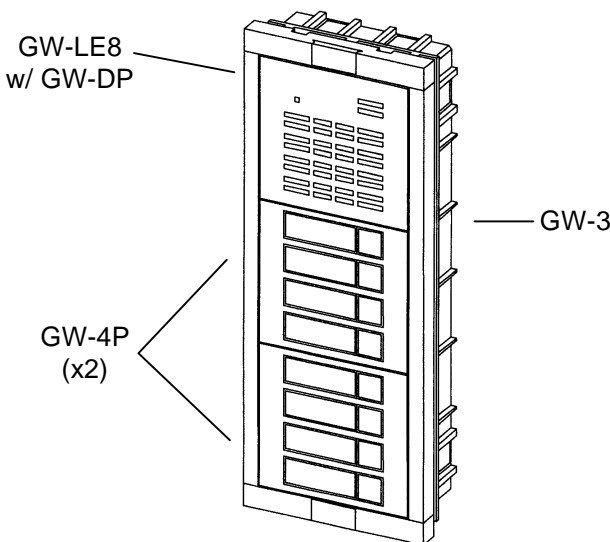
Use with:

C-ML/A, LEM-1DL/C, LEF, LAF-C, or LDF Masters

- INSTRUCTIONS -

The GW-LE8 is an audio module, used with other components to make up a selective calling audio door station. Panels from two to eight stations can be created. The entrance panel can selectively call and communicate with open voice inside master stations. Use any of the above listed master stations.

8 Call Entrance Station



*MODULAR ENTRANCE STATIONS

List of components for each entrance panel:

2 Call Panel		3 Call Panel		4 Call Panel	
1	GW-LE8	1	GW-LE8	1	GW-LE8
1	GW-DP	1	GW-DP	1	GW-DP
1	GW-2P	1	GW-3P	1	GW-4P
1	GW-2	1	GW-2	1	GW-2
5 Call Panel		6 Call Panel		7 Call Panel	
1	GW-LE8	1	GW-LE8	1	GW-LE8
1	GW-DP	1	GW-DP	1	GW-DP
1	GW-1P	1	GW-2P	1	GW-3P
1	GW-4P	1	GW-4P	1	GW-4P
1	GW-3	1	GW-3	1	GW-3
8 Call Panel					
1	GW-LE8				
1	GW-DP				
2	GW-4P				
1	GW-3				

GW-LE8 Terminal Definitions:

- D+ Common communication
- D- Negative, common call signal

- Yel Common Call signal
- Blu (8 wires) Selective Call-in and communication wires (1 per button)

COMPONENT MODELS AND DESCRIPTIONS

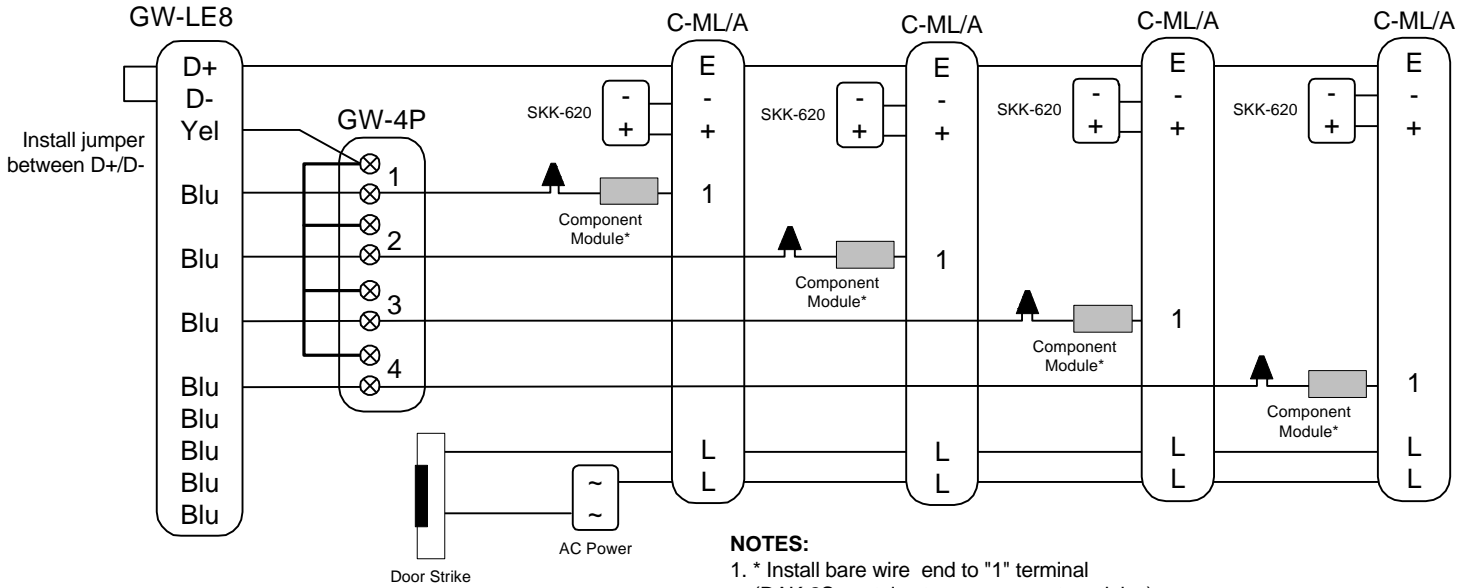
Model	Description
GW-LE8	Audio Module
GW-DP	Audio Module Front Panel
GW-1P	1 Button Panel
GW-2P	2 Button Panel
GW-3P	3 Button Panel
GW-4P	4 Button Panel
GW-2	2 Panel Back Box
GW-3	3 Panel Back Box

SEMI-FLUSH AND SURFACE MOUNTING BOXES:

Model	Description
GW-002H	Semi-flush Mt. Hood for GW-2
GW-002HB	Surface Mt. Hood for GW-2
GW-003H	Semi-flush Mt. Hood for GW-3
GW-003HB	Surface Mt. Hood for GW-3

WIRING DIAGRAM:

GW-LE8 WITH GW-4P, USING C-ML/A MASTER STATIONS

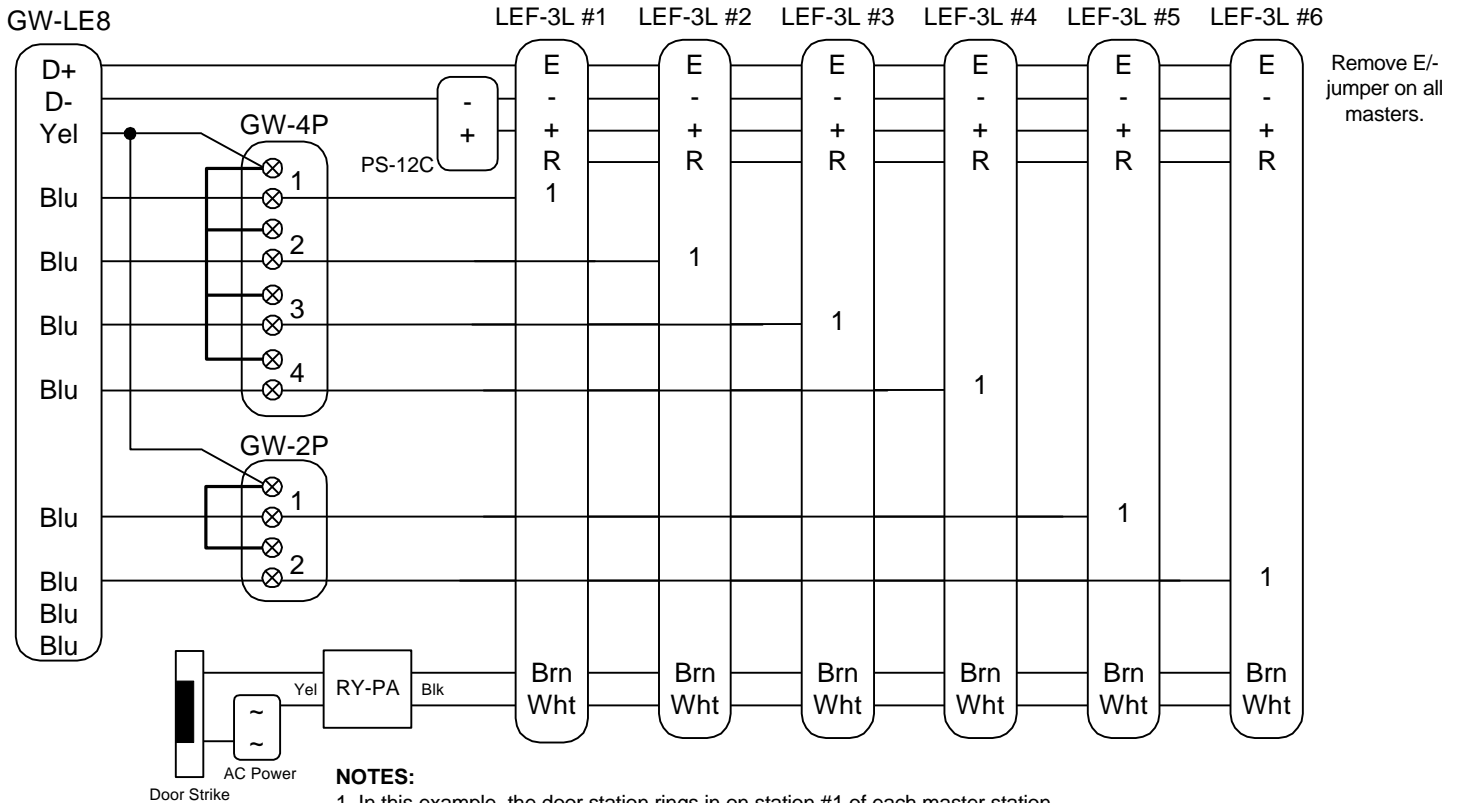


NOTES:

- * Install bare wire end to "1" terminal (DAK-2S contains two component modules).
- Only components of the entrance panel that include wire connections are shown here.
- See C-ML/A instructions for complete installation information.

WIRING DIAGRAM:

GW-LE8 WITH GW-4P & GW-2P, USING LEF-3L MASTER STATIONS

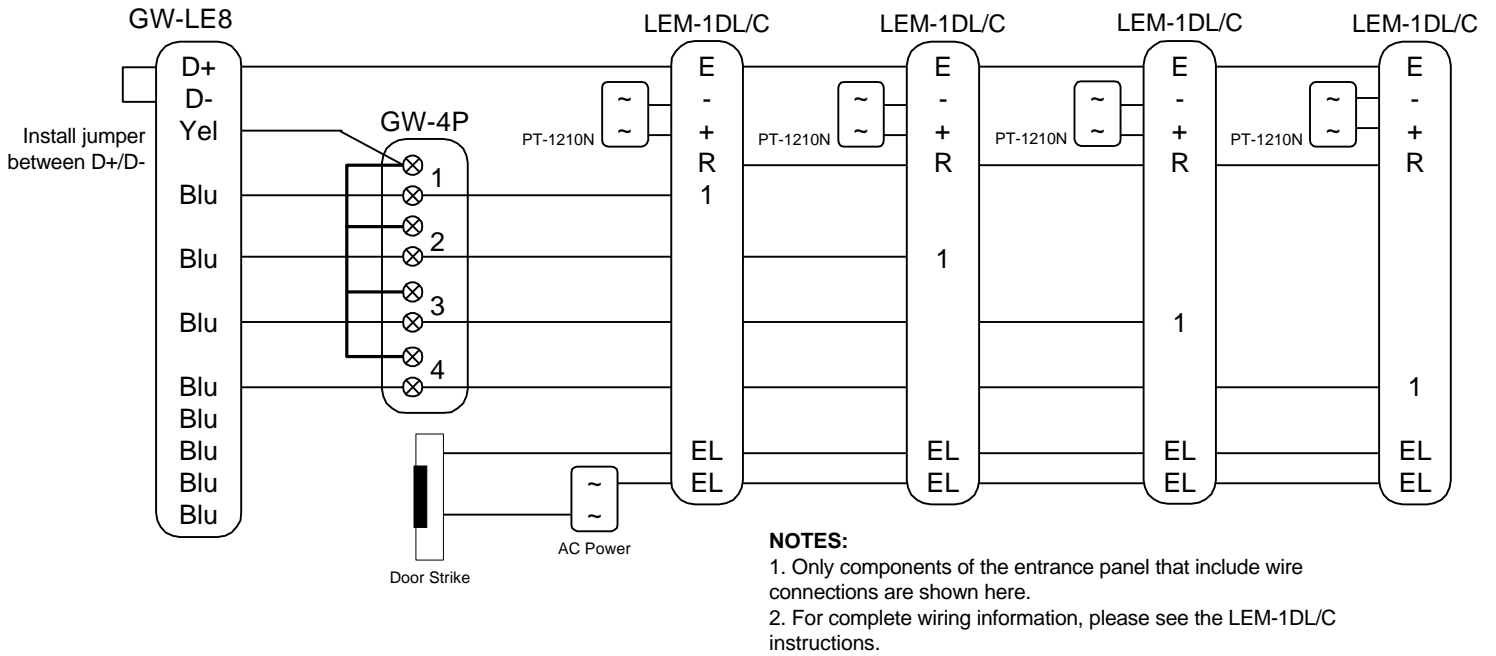


NOTES:

- In this example, the door station rings in on station #1 of each master station. It can be wired to any unused station number.
- Only components of the entrance panel that include wire connections are shown here.
- For complete wiring information, please see the LEF-3L instructions.
If additional master stations are to be installed in each office/suite, wire them per the standard instructions.

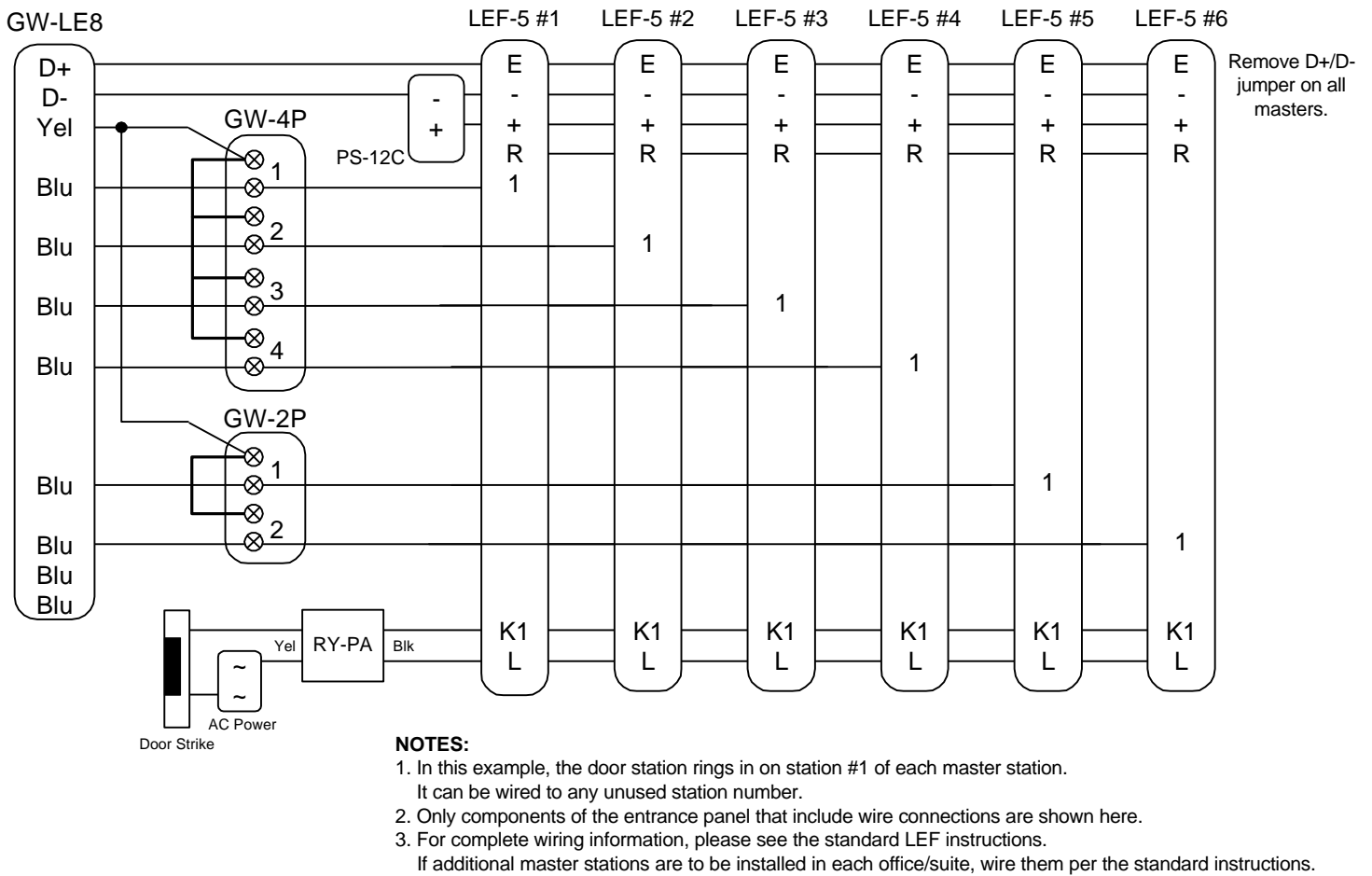
WIRING DIAGRAM:

GW-LE8 WITH GW-4P, USING LEM-1DL/C MASTER STATIONS



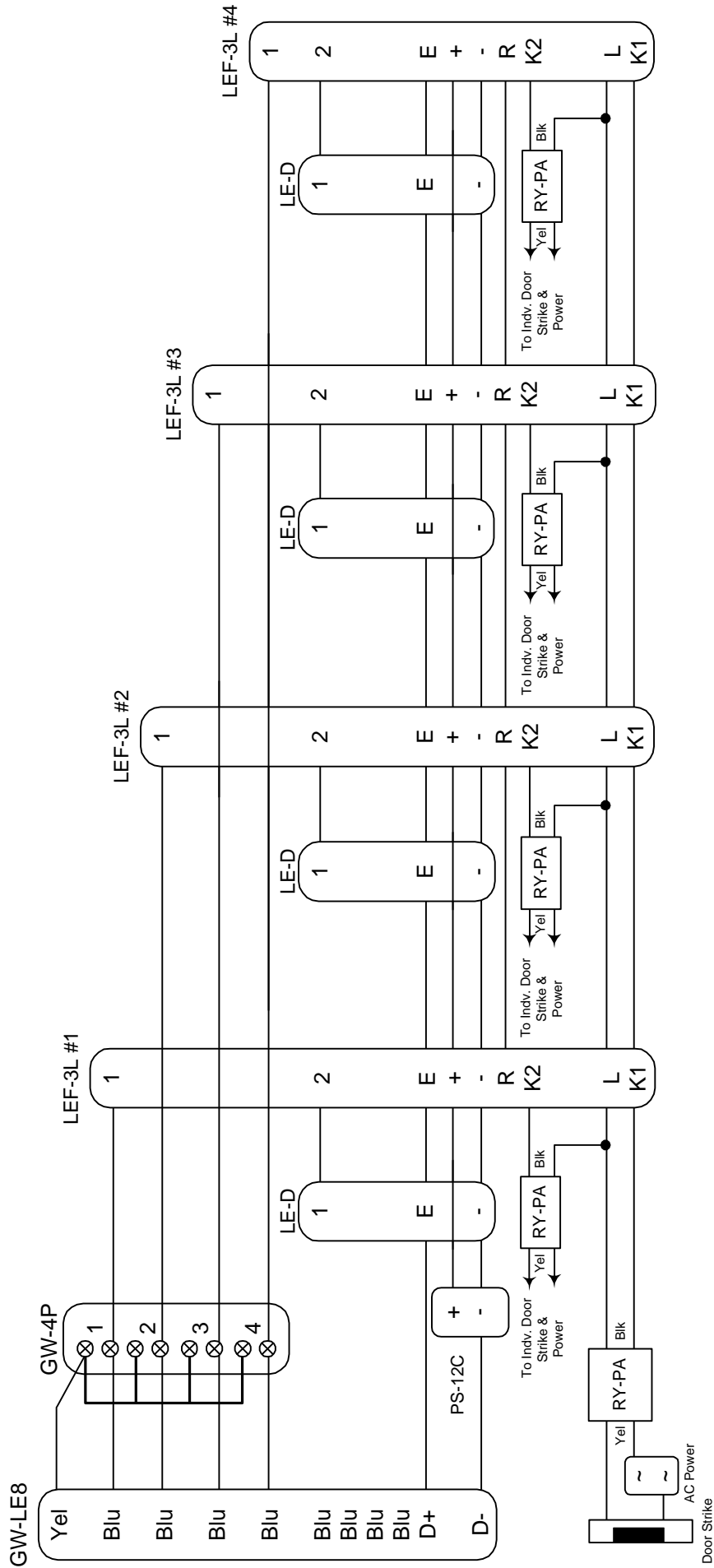
WIRING DIAGRAM:

GW-LE8 WITH GW-4P & GW-2P, USING LEF-5 MASTER STATIONS



WIRING DIAGRAM:

GW-LE8 WITH GW-4P, USING LEF-3L MASTER STATIONS WITH COMMON AND INDIVIDUAL DOOR STATIONS

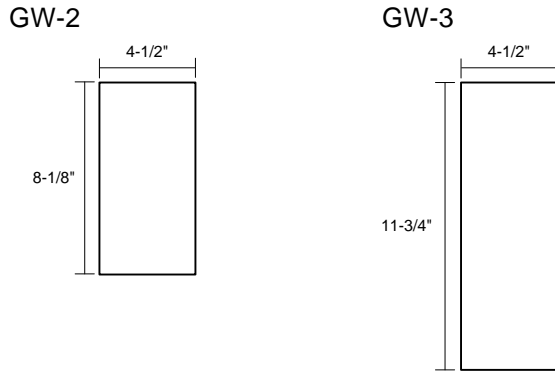


NOTES:

1. Remove D+/D- jumper on all masters.
2. Only components of the entrance panel that include wire connections are shown here.
3. For complete wiring information, please see the standard LEF instructions.
If additional master stations are to be installed in each office/suite, wire them per the standard instructions.

MOUNTING:

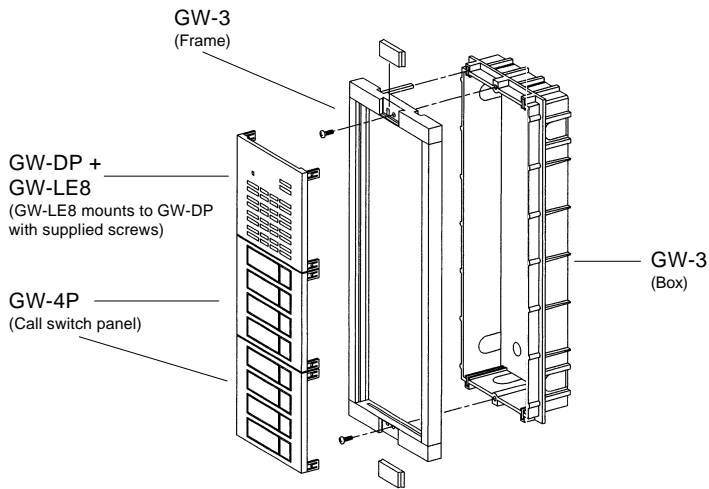
1. Cut appropriate sized mounting hole into wall.



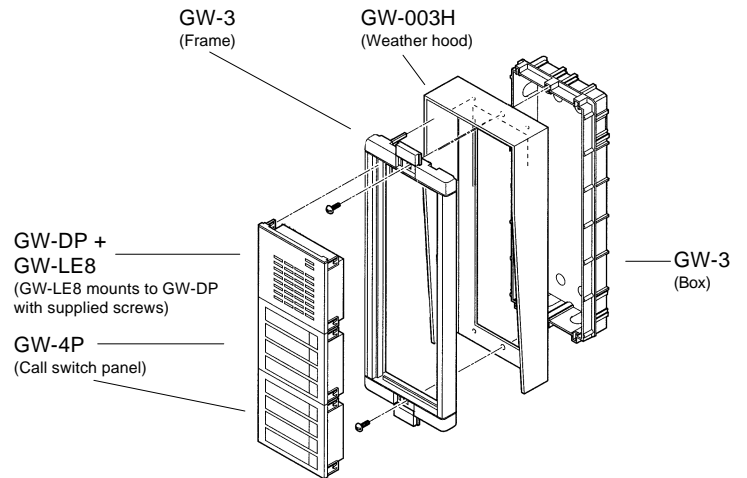
2. Assemble and mount entrance panel

1. Open a hole in the back box to pass cable through.
2. Mount the GW-LE8 to the GW-DP using the supplied screws.
3. Mount the components to the GW-2 or GW-3 frame.
4. Mount the frame to the back box.
5. Replace the two mounting screw covers.

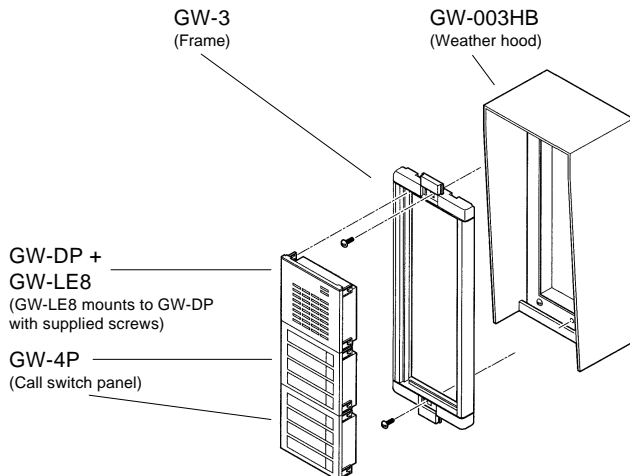
Standard flush mount installation:



Flush mount installation with weather hood:

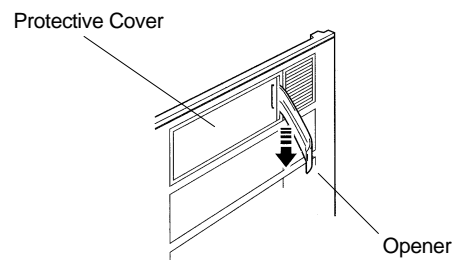


Surface mount installation with weather hood:



Filling in resident names:

1. Remove protective cover using opener. (Opener included with GW-2 and GW-3 frames)



OPERATION:

1. The entry station has multiple call buttons with an associated directory card. Press the button of the person you wish to call.
2. The master station(s) will ring an electronic call tone as long as the call button on the entrance station is being held. (A chime will be heard when using the C-ML/A room stations.)
3. With CM-L/A and LEM-1DL/C Master Stations: Press TALK button to answer the call.
With LEF Master Stations: Select the station button with the lit LED to answer. If the LED has gone out (stays on for approx. 20 seconds), press the selector button assigned to the entry station.
4. At the inside station, press the TALK button to talk, and release to listen. The person at the entrance station speaks hands free.
5. When finished with the call, press the OFF button on the master station.
6. NOTE: If the "Occupied" lamp is on, the system is in use. Wait until the LED goes out, or determine if a master station has been left on unintentionally.

SPECIFICATIONS:

Power Source:	Provided from master station. C-ML/A: 1 SKK-620 or 4 "C" batteries per master. LEM-1DL/C: 1 PT-1210N per master. LEF: 1 PS-12C per system.
Impedance:	20 ohms
Communication:	Hands free at entry station. Push-to-talk at master station.
Calling:	C-ML/A: 4-Stroke chime LEM-1DL/C: Momentary call tone LEF: Momentary call tone and LED, remaining lit for approx. 20 seconds
Wiring:	C-ML/A: 2 conductors homerun per station to entrance panel. LEM-1DL/C: 2 conductors homerun per station to entrance panel. LEF: 4 common (E, R, +, -) plus 1 individual per sub, looped; or 5 conductors homerun to each master. Shielded cable is recommended. Use Aiphone #822202 (2 conductor) or 822212 (12 conductor) for max. 8 station wiring.
Door Release Wiring:	2 conductors looped through stations to strike and strike power supply.
Wiring Distance:	C-ML/A: 245' with 22AWG; 590' with 18AWG. LEF/LEM: 650' with 22AWG; 1,600' with 18AWG.

NOTE:

Only information concerning the GW-LE8 is shown here.

For complete wiring information, please see the appropriate system instructions.

Aiphone Communication Systems
1700 130th Ave. N.E.
Bellevue, WA 98005
(425) 455-0510
FAX (425) 455-0071

TOLL FREE TECHNICAL SUPPORT:

(800) 692-0200
TOLL FREE FAX LINE:
(800) 832-3765
E-MAIL: tech-serv@aiphone.com

Pg. 6
GW-LE8 Instr.
1001bkjd