

HM-7 Master Station (Stock Product)

Basic System

HM-7 All Master Home Intercom System

Description

Door Chime and Background Music through all stations, and Paging Capability.

Models

DD-1 Chime tone and Background Music Adaptor.

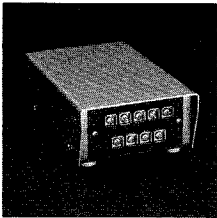
BA-1 Paging adaptor.

HM-5A 5-call desk style master.

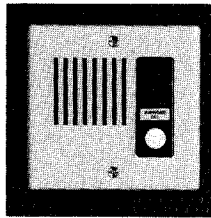
HM10A 10-call desk style master.

BG-2A BGM only Adaptor.

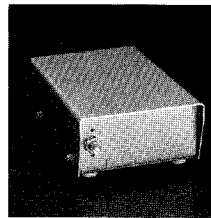
CH-BA Flush type door station.



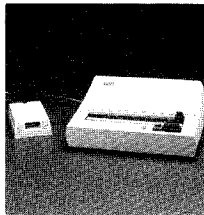
DD-1



CH-BA



BA-1



HM-10A

Features/Functions

Chime tone from substation to master units using DD-1 and PG-3 amplifier.
 BGM through master stations.
 Door release button on master.
 Station-to-station call by voice or electronic tone.
 Hands-free operation from station receiving a call.
 Privacy button at every station to lock out monitoring.
 5- and 10-call desk/wall mount master.
 Flush type door station. (CH-BA)
 BGM Adaptor. (BG-2A)

System Components
(Stock Products)

HM-7 7-call master station
PS-12C Power supply
CH-B Door station
EL-9S Electric door release
PG-3 3 watt amplifier
 Paging amplifiers and speakers

Dimensions (in inches)	H	W	D
DD-1	2 ¹ / ₃₂	3 ⁷ / ₁₆	5 ⁵ / ₈
BA-1, BG-2A	2 ¹ / ₃₂	3 ⁷ / ₁₆	5 ⁵ / ₈
HM-5A, HM-10A	3 ³ / ₈	9 ⁵ / ₁₆	8 ⁷ / ₈
CH-BA	4 ¹ / ₂	4 ¹ / ₂	1 ¹ / ₈

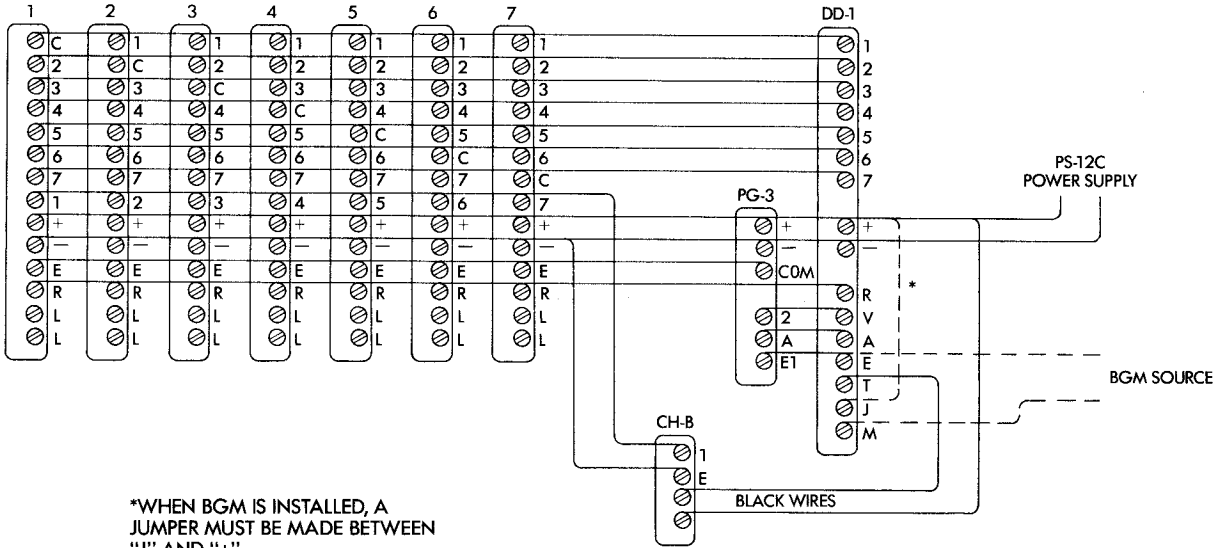
Wiring Requirements

3 common, 1 individual between masters, plus 2 common for door release
 Between DD-1 and HM-7:
 8 conductors
 Between DD-1 and PG-3:
 5 conductors
 Between PG-3 and HM-7:
 3 conductors

Maximum Communication Distance

400'/24 AWG, 650'/22 AWG, 1,000'/20 AWG

HM-7 W/CHIME DOOR CALL TONE AND/OR BGM



*WHEN BGM IS INSTALLED, A JUMPER MUST BE MADE BETWEEN "J" AND "+"

Aiphone Corporation

1700 - 130th Ave NE
 P.O. Box 90075
 Bellevue, WA 98009
 (206) 455-0510
 Telex 320-0288
 FAX (206) 455-0071

Contact technical sales if additional configurations are required.

