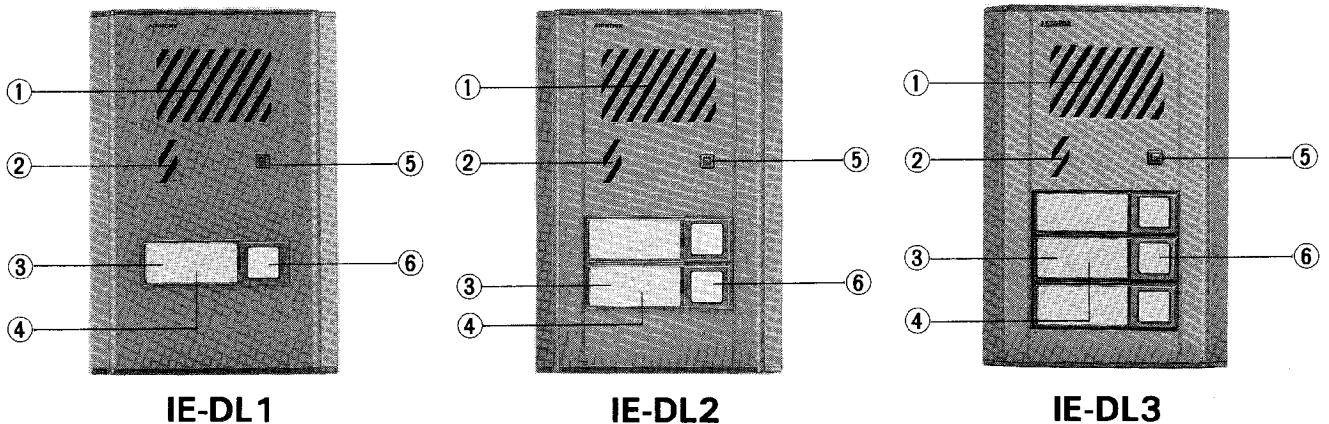


# DOOR STATION

|                |               |                         |
|----------------|---------------|-------------------------|
| <b>Models;</b> | <b>IE-DL1</b> | (1-call, surface-mount) |
|                | <b>IE-DL2</b> | (2-call, surface-mount) |
|                | <b>IE-DL3</b> | (3-call, surface-mount) |

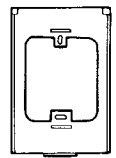
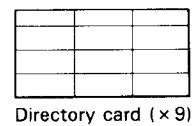
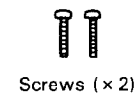
## INSTRUCTIONS

### 1 NAMES AND FUNCTIONS



- ① Speaker
- ② Microphone
- ③ Directory card
- ④ Illumination lamp  
... located under directory card
- ⑤ Location indicator LED
- ⑥ Call button

#### Mounting accessories;



### 2 FEATURES

- \* IE-DL door stations can work with Aiphone Chime Tone Intercoms: IE-1AD(U), IE-1GD(U) & IE-2AD(U), and Selective Call Intercoms: TD-H & TD-Z (without CT-Z used).
- \* Calls selectively up to three room stations (on IE-DL3).
- \* Call-acknowledged tone heard at door station.
- \* Surface-mount with rigid aluminum panel.
- \* Locator LED mounted.
- \* Illumination from under directory card.
- \* Communicates with the last called room station.

# 3

## BEFORE YOU INSTALL AND OPERATE THE EQUIPMENT — Prohibitions and precautions —

### Operation;

1. On IE-DL2, DL3, DO NOT TOUCH CALL BUTTON OF OTHER FLAT/ROOM. It will cut off present communication and calls a corresponding room station.
2. Door release can be activated at non-communicating room stations also. Observe that door release is operated only when receiving a call from door station.

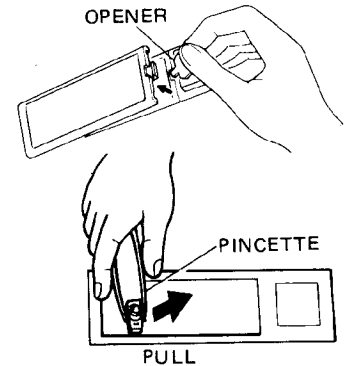
### Installation;

1. DO NOT CONNECT ANY TERMINAL ON ANY UNIT TO AC POWER LINES.
2. When you mount IE-DL door station in place of existing bell or chime, be sure to disconnect wires from the present transformer.
3. Select the installation locations that would not be exposed to temperature/humidity extremes, water, oil, dust, iron dust, inflammable and chemical products, etc.

### Maintenance;

1. Clean your equipment with a soft cloth dampened with neutral household cleanser.
2. Do not splash water on the door station by hose, etc.
3. Filling in directory and lamp replacement;

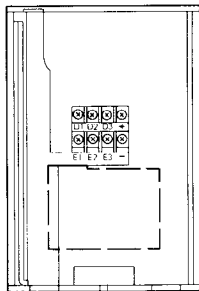
As shown, the transparent cover can be removed, using a supplied opener. Fill in directory and slide the cover back to place. To replace the lamp, turn off the system's power supply and pull the lamp off from the pin terminals, using a pincette, etc. Be careful not to touch with other components.



# 4

## INSTALLATION

### (1) Actual terminal location

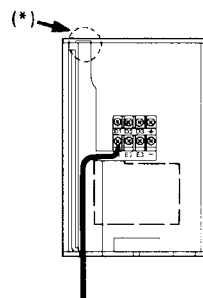
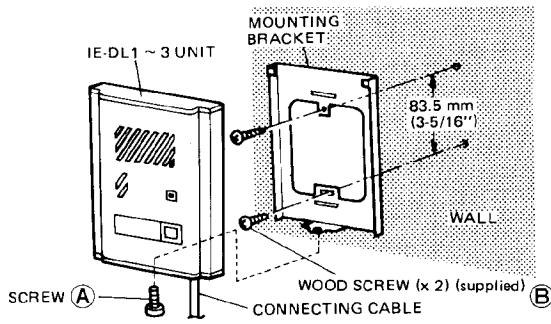


IE-DL3 BACK VIEW

- D1**, **E1** : for connecting the first room station
- D2**, **E2** : for connecting the second room station
- D3**, **E3** : for connecting the third room station
- +**, **-** : for power supply.

Note; IE-DL2 have no **D3**, **E3** terminals.  
IE-DL1 have no **D2**, **E2** nor **D3**, **E3** terminals.

### (2) Wall-mounting installation



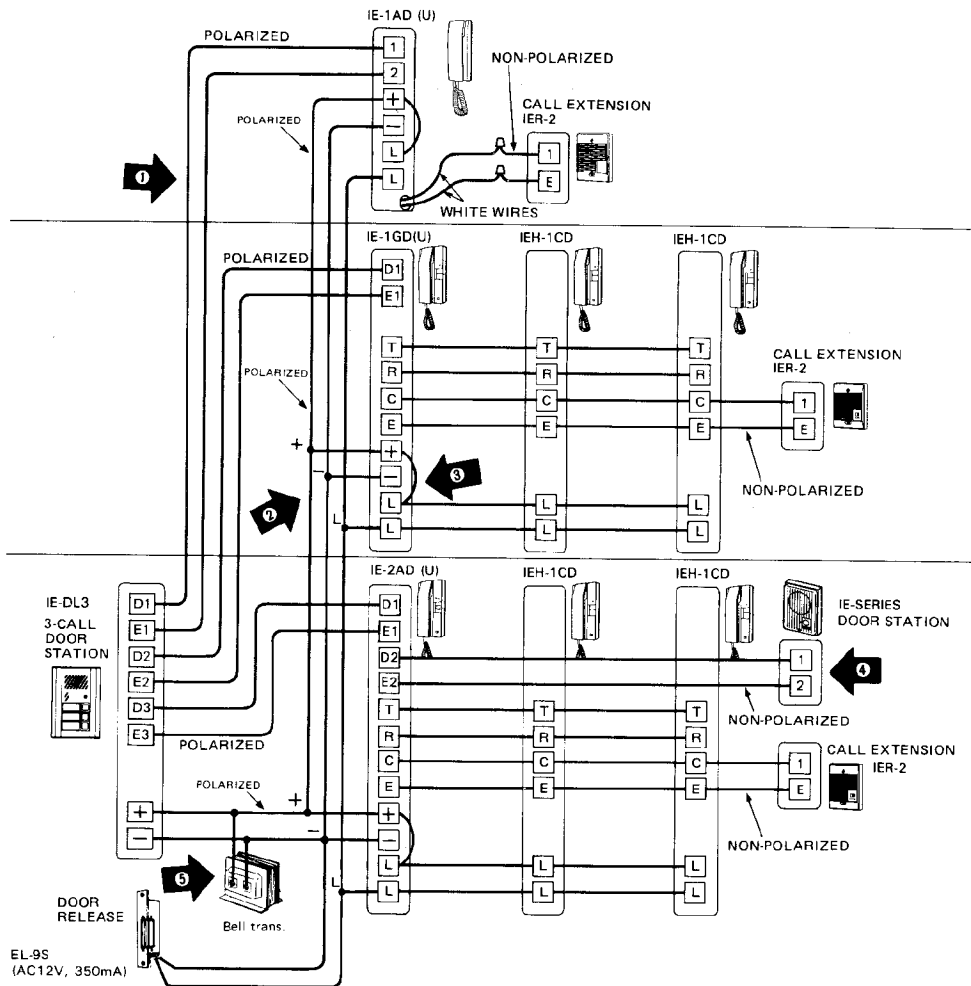
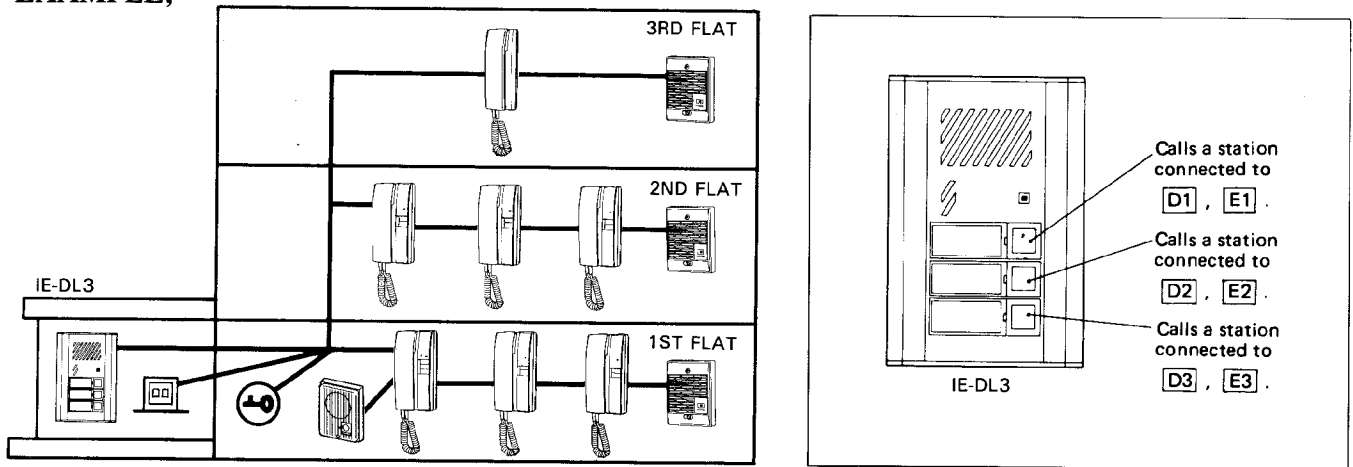
Connecting cable can be passed from either top or bottom of the chassis.  
(\* ) Cut off the part by nipper, etc. for cable inlet.

### \* Surface-mounting to wall:

1. Remove a screw **A** on bottom of IE-DL1 ~ 3.
2. Attach the mounting bracket directly to wall with the supplied wood screws (**B**), or to single-gang box with the supplied screws.
3. After wiring, reattach IE-DL1-3 unit to the mounting bracket.

# 5 WIRING DIAGRAM

EXAMPLE;



**NOTES;**

The above diagram illustrates IE-DL3 number button signals by chime each floor separately.

- (1) Wiring is polarized between IE-D/DL door station and main room station.
- (2) Wiring method remains unchanged on terminals +, - and L, L from door station to main room station, regardless of main room station type, either IE-1AD (U), IE-1GD (U) or IE-2AD (U).
- (3) Install a jumper wire between terminals + & L on each main room station, if door release is included.
- (4) The second door station is optional for IE-2AD (U) system. Select a suitable type, either IE-DL1 or other IE series.
- (5) For power supply, use a bell transformer enough to supply power for both communication and door release (EL-9S). See POWER SUPPLY REQUIREMENTS on page 4.

# 6 OPERATION

## \* Calling and communication;

Momentarily depress CALL button to signal a room station(s) of a flat. After room station replies, communicate handsfree. If CALL button of other flat is pressed, the present communication is cut off and signals the corresponding room station(s).

# 7 SPECIFICATIONS

|  |  |        |           |        |           |       |       |  |   |
|--|--|--------|-----------|--------|-----------|-------|-------|--|---|
| * Power source   | AC 12 -16V or DC 12-24V.   |        |           |        |           |       |       |  |   |
| * Current consumption  | MODELS   |        | AC 12-16V |        | DC 12-24V |       |       |  |   |
|  | IE-DL1   |        | 80mA      |        | 60mA      |       |       |  |   |
|  | IE-DL2   |        | 110mA     |        | 100mA     |       |       |  |   |
|  | IE-DL3   |        | 140mA     |        | 140mA     |       |       |  |   |
|  | IE-1AD (U)   |        | 180mA     |        | 160mA     |       |       |  |   |
|  | IE-1GD (U)   |        | 200mA     |        | 200mA     |       |       |  |   |
|  | IE-2AD (U)   |        | 200mA     |        | 200mA     |       |       |  |   |
| Example:   | <p>For a system with IE-DL3 used (as on Page 3), select a bell transformer or power supply suitable for both communication and door release;</p> <table style="width: 100%; border: none;"> <tr> <td style="width: 50%; border: none;"> <p>(1) Bell transformer (AC 12V);</p> <p style="padding-left: 20px;">140mA (IE-DL3)</p> <p style="padding-left: 20px;">+ 180mA (IE-1AD (U))</p> <p style="padding-left: 20px;">+ 200mA (IE-1GD (U))</p> <p style="padding-left: 20px;">+ 200mA (IE-2AD (U))</p> <p style="padding-left: 20px;">+ 350mA (EL-9S).</p> <hr style="width: 80%; margin-left: 0;"/> <p style="padding-left: 20px;">1,070mA or more</p> </td> <td style="width: 50%; border: none;"> <p>(2) Power supply (DC 12V);</p> <p style="padding-left: 20px;">140mA (IE-DL3)</p> <p style="padding-left: 20px;">+ 160mA (IE-1AD (U))</p> <p style="padding-left: 20px;">+ 200mA (IE-1GD (U))</p> <p style="padding-left: 20px;">+ 200mA (IE-2AD (U))</p> <hr style="width: 80%; margin-left: 0;"/> <p style="padding-left: 20px;">700mA or more</p> <p style="padding-left: 20px;">plus a separate bell transformer for EL-9S (AC 12V, 350mA) is required.</p> </td> </tr> </table> |        |           |        |           |       |       | <p>(1) Bell transformer (AC 12V);</p> <p style="padding-left: 20px;">140mA (IE-DL3)</p> <p style="padding-left: 20px;">+ 180mA (IE-1AD (U))</p> <p style="padding-left: 20px;">+ 200mA (IE-1GD (U))</p> <p style="padding-left: 20px;">+ 200mA (IE-2AD (U))</p> <p style="padding-left: 20px;">+ 350mA (EL-9S).</p> <hr style="width: 80%; margin-left: 0;"/> <p style="padding-left: 20px;">1,070mA or more</p> | <p>(2) Power supply (DC 12V);</p> <p style="padding-left: 20px;">140mA (IE-DL3)</p> <p style="padding-left: 20px;">+ 160mA (IE-1AD (U))</p> <p style="padding-left: 20px;">+ 200mA (IE-1GD (U))</p> <p style="padding-left: 20px;">+ 200mA (IE-2AD (U))</p> <hr style="width: 80%; margin-left: 0;"/> <p style="padding-left: 20px;">700mA or more</p> <p style="padding-left: 20px;">plus a separate bell transformer for EL-9S (AC 12V, 350mA) is required.</p> |
| <p>(1) Bell transformer (AC 12V);</p> <p style="padding-left: 20px;">140mA (IE-DL3)</p> <p style="padding-left: 20px;">+ 180mA (IE-1AD (U))</p> <p style="padding-left: 20px;">+ 200mA (IE-1GD (U))</p> <p style="padding-left: 20px;">+ 200mA (IE-2AD (U))</p> <p style="padding-left: 20px;">+ 350mA (EL-9S).</p> <hr style="width: 80%; margin-left: 0;"/> <p style="padding-left: 20px;">1,070mA or more</p> | <p>(2) Power supply (DC 12V);</p> <p style="padding-left: 20px;">140mA (IE-DL3)</p> <p style="padding-left: 20px;">+ 160mA (IE-1AD (U))</p> <p style="padding-left: 20px;">+ 200mA (IE-1GD (U))</p> <p style="padding-left: 20px;">+ 200mA (IE-2AD (U))</p> <hr style="width: 80%; margin-left: 0;"/> <p style="padding-left: 20px;">700mA or more</p> <p style="padding-left: 20px;">plus a separate bell transformer for EL-9S (AC 12V, 350mA) is required.</p>  |        |           |        |           |       |       |  |   |
| * Communication  | Simultaneous.  |        |           |        |           |       |       |  |   |
| * Calling  | Pressing call button signals the room station by electronic chime.   |        |           |        |           |       |       |  |   |
| * Wiring distance  | For communication between IE-DL1 ~ 3 and main room station:  |        |           |        |           |       |       |  |   |
|  | Diameter   | 0.5 mm | 0.65 mm   | 0.8 mm | AWG       | 24AWG | 22AWG | 20AWG  |   |
|  | Distance   | 90m    | 150m      | 230m   | Distance  | 300'  | 500'  | 750'   |   |
| * Dimensions   | (H × W × D) 175 × 120 × 25 (mm); 6-7/8" × 4-3/4" × 1"  |        |           |        |           |       |       |  |   |
| * Weight   | Approximately 430g (0.9 lbs.)  |        |           |        |           |       |       |  |   |

## WARRANTY

Aiphone warrants its products to be free from defects of material and workmanship under normal use and service for a period of one year after delivery to the ultimate user and will repair free of charge or replace at no charge, should it become defective upon which examination shall disclose to be defective and under warranty. Aiphone reserves unto itself the sole right to make the final decision whether there is a defect in materials and/or workmanship; and whether or not the product is within the warranty.

This warranty shall not apply to any Aiphone product which has been subject to misuse, neglect, accident, or to use in violation of instructions furnished, nor extended to units which have been repaired or altered outside of the factory.

This warranty does not cover batteries or damage caused by batteries used in connection with the product.

This warranty covers bench repairs only, and any repairs must be made at the shop or place designated in writing by Aiphone. Aiphone will not be responsible for any costs incurred involving on site service calls.

Aiphone Co., Ltd., Nagoya, Japan  
Aiphone Corporation, Bellevue, WA, USA

COMMUNICATION SYSTEMS  
**AIPHONE**  
HOME, BUSINESS, INDUSTRY.