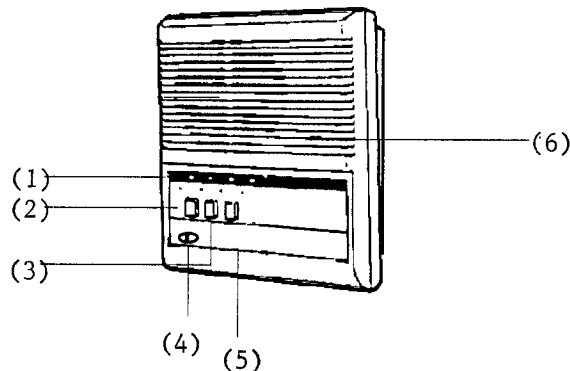


ORDER TAKING INTERCOM SYSTEM**Model:****MDS-2V
MDS-3V**Set of 2 or 3 LMF-3 Masters,
Power Supply,
Overhead Speakers,
and Vehicle Alert Unit**INSTRUCTIONS****1 NAMES AND FUNCTIONS****LMF-3****LMF-3**

- (1) Station LED
- (2) Directory card
- (3) Station selector buttons
- (4) Receive volume control
- (5) Transmit volume control (under panel)
- (6) Microphone (Electret Condensor)

Sets Include:**MCS-2V:**

- 2 LMF-3
- 1 PS-12C
- 4 SP-4MD
- 4 SSB-4
- 1 AVD-1A

MCS-3V:

- 3 LMF-3
- 1 PS-12C
- 5 SP-4MD
- 5 SSB-4
- 1 AVD-1A

2 FEATURES

- Selective one-way calling of up to 3 locations, with simple one-push operation.
- Overhead ceiling speaker for improved sound quality for receiving communication from another station.
- Expansion to three master stations.
- Grill area speaker receives announcements from any master station.
- Slim and compact design.
- Individual volume controls for transmit and receive.
- Included in package set is vehicle alert unit to indicate the presence of an automobile at the drive-thru.

3

BEFORE YOU INSTALL OR OPERATE THE EQUIPMENT


GUIDELINES:

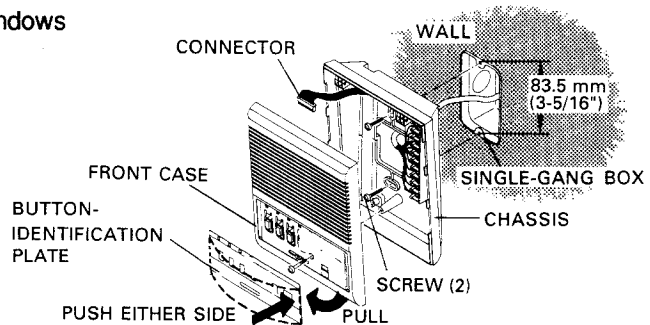
1. DO NOT CONNECT ANY TERMINAL ON UNITS TO AC POWER!
2. Be sure not to plug PS-12C power supply into AC receptacle until you complete wiring connections. Unplug the power supply prior to opening the unit.
3. Select the installation location that would not expose the unit to extreme temperature, humidity, water, oil, dust, flammable and chemical products, etc.
4. Do not pinch connecting wires.

4

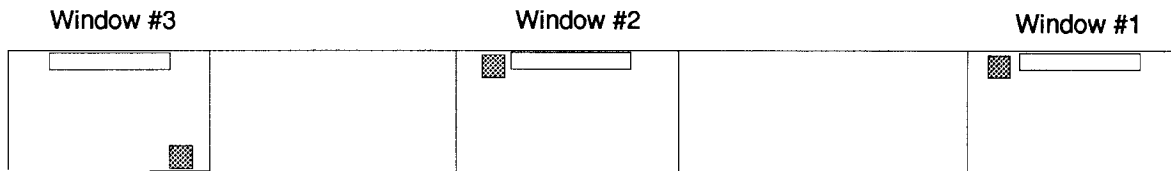
INSTALLATION

WALL MOUNTING INSTALLATION OF LMF-3:

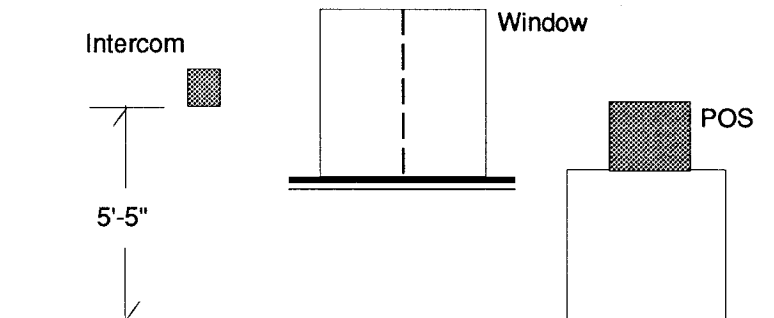
1. Mount intercom station  as shown in overhead view 5'-5" off the ground next to window. For windows #1 and #2, if wall is not available, install per overhead view 5'-5" off the ground, making sure intercom is fully accessible.
2. Separate the front case from the chassis, removing screw.
3. Attach the chassis to single-gang box or wall with the supplied screws.
4. After wiring, re-connect connector plug.
5. Reattach the front case to the chassis and install the proper directory card labeled #1, #2 or #3 then install clear identification plate.



Overhead View-



Plan View-



CEILING MOUNTING INSTALLATION OF SP-4MD:

1. Above intercom stations, mount SP-4MD w/SSB-4 frame.
2. Route wires from intercom station to speaker area.
3. Cut out ceiling tile as illustrated in speaker instructions and attach wires.

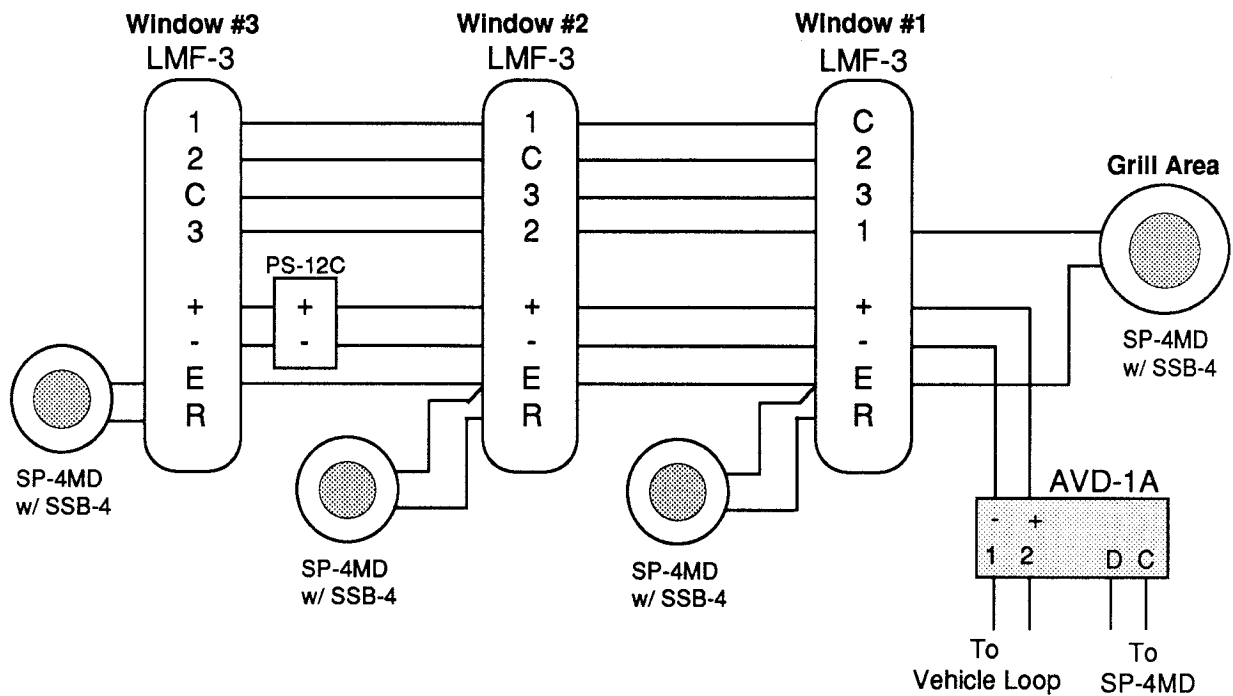
5

WIRING

1. Use a 10-conductor, 22 gauge cable with an overall shield between the master stations. (This includes the safeguard of spare wires.)
2. Use a separate 2-conductor, 22 gauge non-shielded cable between each master and its corresponding overhead ceiling speaker.
3. Use a 2-conductor, 18 gauge cable from the PS-12C power supply to the nearest master station.
4. Run cables into the back of the unit, through the wire track, and into the screw terminal section.
5. Strip back outer jacket and individual wire jackets for wire connections.
6. ESTABLISH A COLOR CODE before beginning wire connections, and follow diagram below for actual connections.

6

WIRING DIAGRAM



NOTES:

- 1) PS-12C can be connected to nearest master station.
- 2) Connect shield of cable to an earth ground at one end.
- 3) See AVD-1A installation instructions for more information.

7

OPERATION

(1) PLACING A CALL

IMPORTANT NOTE:

Power LED indicator must be lit for the system to operate.

Depress the station selector button of the intercom location you wish to speak with. Simply speak into the intercom while holding down the selector button. Release at the conclusion of announcement.

(2) RECEIVING A CALL

Voice from a calling station will be heard through the overhead speaker. An LED light over one of the selector buttons will be lit to indicate which station is calling. To respond to the call, press the selector button corresponding to the lit LED and speak.

(3) GRILL AREA SPEAKER

To call the grill area, depress and hold button marked "grill" while speaking. Grill area cannot respond to a call.

8

SPECIFICATIONS

Power source.....DC 12V. Use PS-12C.

Current consumption.....Maximum 300 mA per station

Power Output.....Maximum 800 mW at 20 ohms (reception)
Maximum 500 mW at 20 ohms (transmission)

LMF-3 dimensions.....7-1/16"H x 5-5/8"W x 2-3/16"D

Wiring requirements: Multi-conductor with an overall shield

Between masters....8 conductor, shielded (use up to 10 cond.) Plus 2 conductor
(for grill speaker)

SP-4MD speaker.....2 conductor, non-shielded

Power supply.....2 conductor, 18AWG

Wiring Distance:

22AWG=650', 18AWG=1600'

WARRANTY

Aiphone warrants its products to be free from defects of material and workmanship under normal use and service for a period of one year after delivery to the ultimate user and will repair free of charge or replace at no charge, should it become defective upon which examination shall disclose to be defective and under warranty. Aiphone reserves unto itself the sole right to make the final decision whether there is a defect in materials and/or workmanship; and whether or not the product is within the warranty.

This warranty shall not apply to any Aiphone product which has been subject to misuse, neglect, accident, or to use in violation of instructions furnished, nor extended to units which have been repaired or altered outside of the factory.

This warranty does not cover batteries or damage caused by batteries used in connection with the product.

This warranty covers bench repairs only, and any repairs must be made at the shop or place designated in writing by Aiphone.

Aiphone will not be responsible for any costs incurred involving on site service calls.

Aiphone Corporation
1700 130th Ave. N.E.
Bellevue, WA 98005
(206) 455-0510
FAX: (206) 455-0071

Communication systems for business, home and industry.