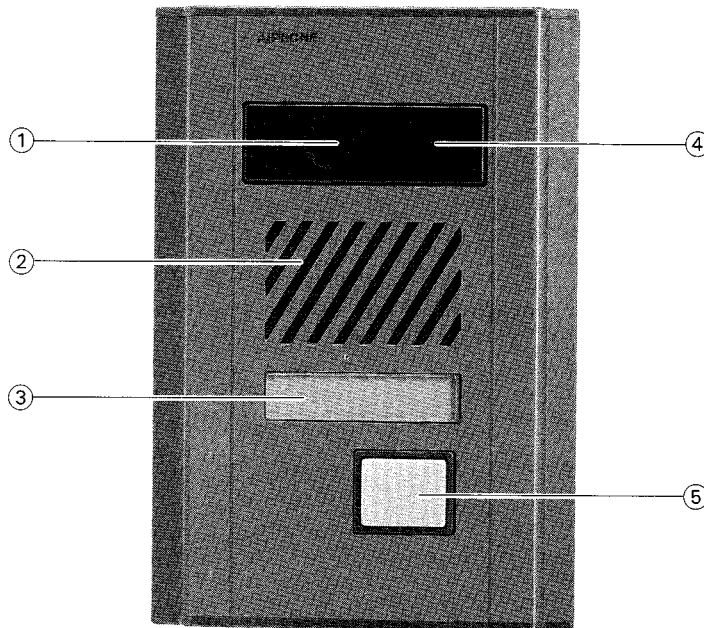


LEF VIDEO DOOR STATION

Model; **MF-DL** (Video door station, semi-flush mount)

INSTRUCTIONS

1 NAMES AND FUNCTIONS



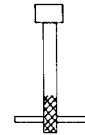
MF-DL

- ① CCD camera
- ② Speaker/mic.
- ③ Directory card
- ④ Infrared LED's
- ⑤ CALL button

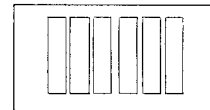
ACCESSORIES INCLUDED;



SCREW(4)
(4mm ϕ × 35mm)
for mounting to
electrical box



SPECIAL DRIVER
for panel mounting
screw



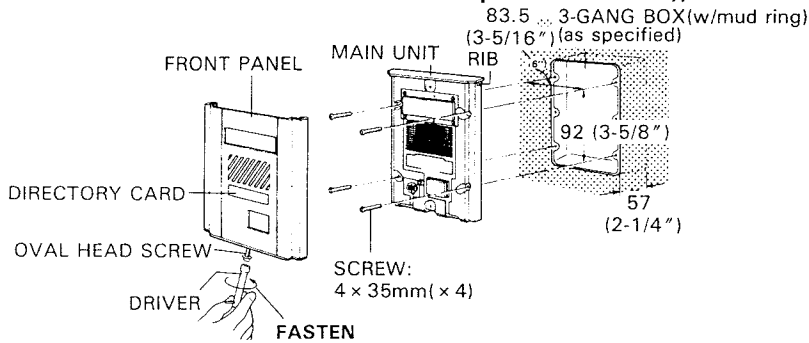
DIRECTORY
CARD(6)

2 FEATURES

- * MF-DL is a video door station for use with LEF, LEF-B system (max. 3 MF-DL per system).
 - * Employs CCD (Charge-Coupled Device) camera and infrared LED's.
 - * Weather-resistant type.
 - * Semi-flush mounts to an electrical box or surface-mounts to MCW-R box.
 - * Camera lens is protected by vandal-resistant shield.
- Front panel is of anodized aluminum with tamper-proof screw.

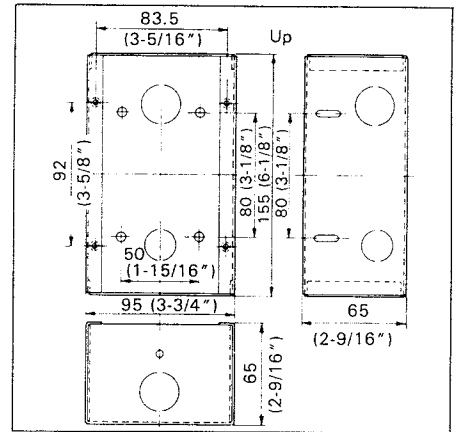
(3) WALL MOUNTING

SEMI-FLUSH MOUNTING (to new and plastered wall);



1. Loosen the oval head screw on bottom front panel by the provided driver.
2. Pull the front panel at bottom and remove from the main unit.
3. Connect wires on terminals on back of the main unit.
4. Mount the main unit on the electrical box with supplied four screws (4 mm ϕ \times 35 mm).
5. Attach the front panel to the main unit inserting to the rib provided on top main unit.
6. Rescrew the special screw on bottom front panel by the provided driver.

MCW-V DIMENSIONS;



GANG BOX REQUIREMENTS;

MF-DL can be mounted on the 3-GANG BOX as specified below;

For North America; * 3-GANG BOX, 1-5/8" DEEP, WITH RAISED COVER, NEMA standards

* 3-GANG BOX, SHALLOW, Tile Wall Box 1/2" knockouts, NEMA standards

For everywhere except N. America; * JIS 3-SWITCH BOX (w/mud ring) (Model: DS4913, to be supplied by AIPHONE).

SEMI-FLUSH MOUNTING (in existing constructions);

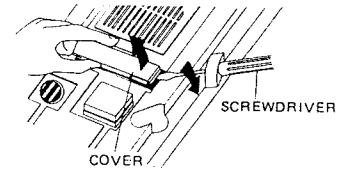
To mount MF-DL on existing wall or on marble wall (where no plaster is used), use Aiphone's MCW-V box, without mud ring. Cut out a hole in the wall, of W:95 mm \times H:155 mm (W: 3-3/4" \times H:6-1/8"), securing depth of 65 mm (2-9/16").

SURFACE-MOUNTING;

Aiphone supplies MCW-R box, designed for MF-DL surface-mounting. For details, refer to the Instructions packed with MCW-R box.

(4) DIRECTORY CARD REPLACEMENT

The six directory cards are supplied with the MF-DL unit. When replacing the card, first remove front panel and the card cover can be removed, using a screwdriver.

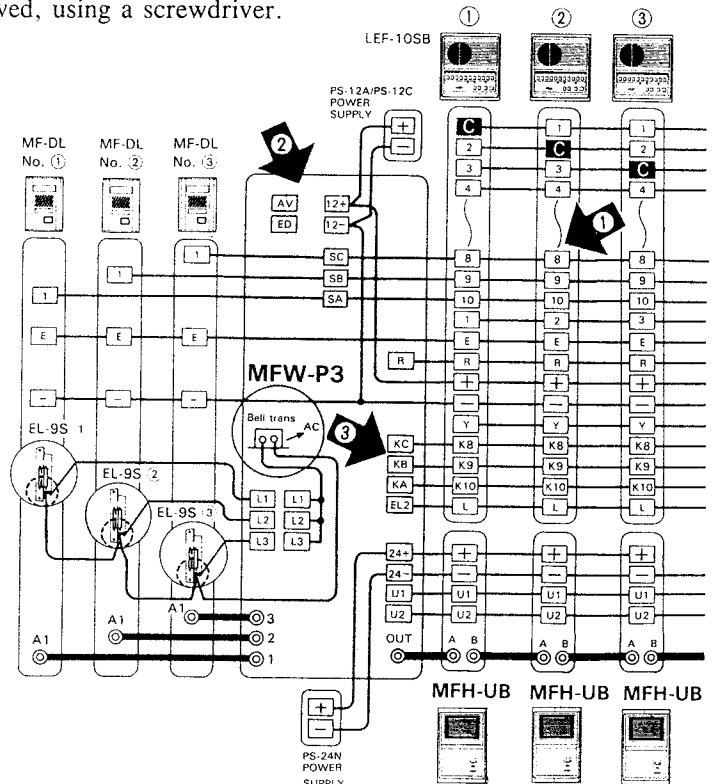


5 WIRING DIAGRAM

The diagram shows connection of 3 MF-D to MFW-P3 when BGR-10A is not used.

1. When connecting MF-DL door station, apply number terminals as from the last, 10 for No. 1, 9 for No. 2 and 8 for No. 3, in order to prevent noise during communication.
2. When connecting to PS-12A/12C power supply, remove each shorting link between 12+ and AV, 12- and ED.
3. For wiring connections on MFW-P3 door station and door release terminals must collate in the following manner;

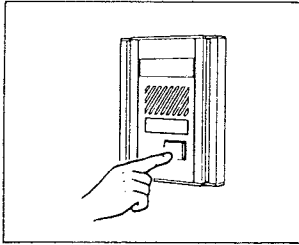
MF-DL station No.	1	2	3
(on LEF-10/LEF-10SB No. terminal)	(10)	(9)	(8)
Video input terminal	1	2	3
For calling detection	SA	SB	SC
Video control terminal	KA	KB	KC
(on LEF-10/LEF-10SB terminal)	(K10)	(K9)	(K8)
Door release control terminal	L1	L2	L3



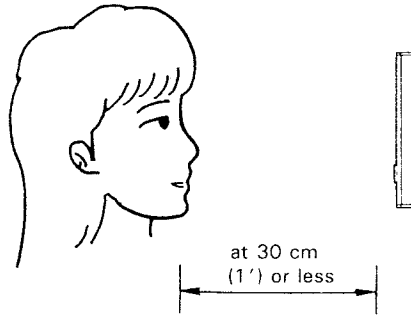
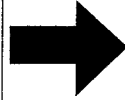
6

OPERATIONS

To call room station;



Momentarily depress CALL button.



Communicate handsfree when the room station replies.
Stand in front of the camera at approx. 30 cm (1') distance,
to obtain the best picture at night.

7

SPECIFICATIONS

- * Power source: Supplied by MFW-P3 video adaptor.
- * Camera unit: CCD (Charge-Coupled Device) and infrared LEDs.
- * Minimum illumination: 1 lux or less on the object at a distance of 30 cm (1') or less.
It is suggested to secure brightness of 200 to 300 lux in the dark area to obtain best picture.
- * Scanning line: 525 lines.
- * Object pickup range: Approx. 50 cm (19-5/8") (average) vertically.
Approx. 76 cm (30") (average) horizontally.
- * Calling: Electronic mono tone.
- * Wiring: One coaxial cable plus 3 wires.
- * Wiring distance: For audio/video;

Coaxial cable AWG	RG-59/U (22GA) 22AWG	RG-59/U (20GA) 22AWG	Coaxial cable Diameter	3C-2V 0.65 mm	5C-2V 0.65 mm
Distance	165'	495'	Distance	50 m	150 m

- * Dimensions and weight: (H × W × D) 175 × 120 × 63.5 (mm) (6-7/8" × 4-3/4" × 2-1/2"). Approx. 560 g (1.23 lbs.).
Projects 25.5 mm (1") from the wall.

WARRANTY

Aiphone warrants its products to be free from defects of material and workmanship under normal use and service for a period of one year after delivery to the ultimate user and will repair free of charge or replace at no charge, should it become defective upon which examination shall disclose to be defective and under warranty. Aiphone reserves unto itself the sole right to make the final decision whether there is a defect in materials and/or workmanship; and whether or not the product is within the warranty.

This warranty shall not apply to any Aiphone product which has been subject to misuse, neglect, accident, or to use in violation of instructions furnished, nor extended to units which have been repaired or altered outside of the factory.

This warranty does not cover batteries or damage caused by batteries used in connection with the product.

This warranty covers bench repairs only, and any repairs must be made at the shop or place designated in writing by Aiphone. Aiphone will not be responsible for any costs incurred involving on site service calls.

AIPHONE CO., LTD., NAGOYA, JAPAN
AIPHONE CORPORATION, BELLEVUE, WA.



INTERCOM SYSTEM
AIPHONE
HOME, BUSINESS, INDUSTRY
Printed in Japan(E)

MF-DL-I(E)0990D