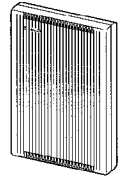


LEF & LEF-C Series
3- PanTilt Camera Adaptor

Model: **MYW-P3L**

INSTALLATION MANUAL


- **Before actually installing the MYW-P3L equipment, the contents of this Manual must be thoroughly read and understood. Also, refer to Manuals packed with LEF, LEF-C, MYH-CU and MYH-CUB, etc.**



 **PRECAUTIONS ON INSTALLATION & WIRING**


 **Warning**


(Negligence could result in death or serious injury to people)


 **Precautions**

(Negligence could result in injury to people or damage to property)






 **General Precautions**

 : Prohibitions to subject the unit to water. :

 : Prohibitions to dismantle the unit.

 : Take the unit to earth ground



 **Warning**

1. Do not use any other power supply than of Aiphone or specified by Aiphone to connect to terminals +, - on MYW-P3L. Doing so can cause fire or damage the unit. 
2. Do not change or modify MYW-P3L equipment. 
3. The MYW-P3L equipment must not be exposed to water or any other liquid. 
4. Do not open MYW-P3L without first unplugging power supply(ies) to prevent electric shock. 
5. Make sure wires are connected properly before plugging in the power supply(ies). 
6. Keep AC cord free from being pulled or crushed.
7. Do not plug or unplug with wet hands.
8. Keep AC outlet away from moisture and dust.

 **Caution**

1. Mount the MYW-P3L on wall in a convenient location, but not where it could be bumped or jarred.

2. Do not install MYW-P3L equipment in any of the following locations, as it may cause the system to malfunction;

- High or extreme cold temperature area: under direct sunlight, near equipment that varies in temperature, in front of air-conditioner, inside a refrigerated area, etc.
- Places subject to moisture or humidity extremes.
- Places subject to environmental conditions, such as oil, dust, chemicals, salt, etc. 
- Places subject to constant vibration or impact. 

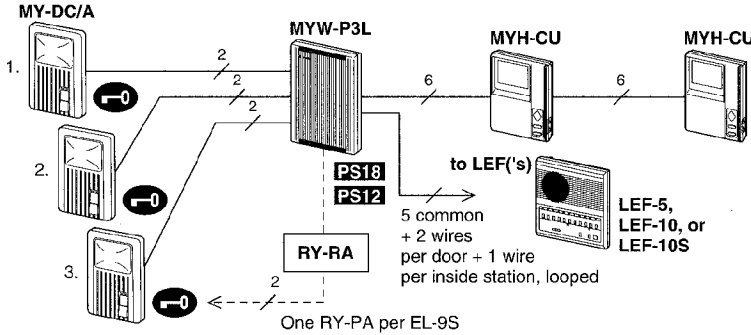
 **General Precautions**

1. The MYW-P3L is not operable during a power failure.
2. In areas where broadcasting station antennas are close by, MYW-P3L equipment may be affected by radio frequency interference.
3. Keep all DC wiring at least 30cm, 20" away from AC100-240V wiring, fluorescent lighting, or dimmer switches. Cross AC wiring at a 90° angle.

1 SYSTEM OUTLINE & COMPONENTS

MYW-P3L integrates max. 3 PanTilt door stations with LEF or LEF-C Selective Call Intercoms, and provides selective control of door strikes and/or lights. Add MYH-CU or MYH-CUB monitors for viewing video door stations.

Basic configuration



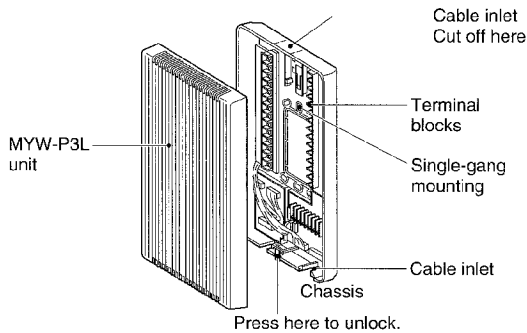
Package Contents

- 3-PanTilt door adaptor (MYW-P3L)
- Packet of screws
- Installation & Operation Manual

Intercoms & Accessories available

MY Series door stations <ul style="list-style-type: none"> • Full pan/tilt control • Prism pan/tilt • Wide-angle fixed camera • Overhead camera 		<ul style="list-style-type: none"> • Door release
<p>MY-DC/A or MY-DG/A</p>	<p>MY-CA</p>	<p>MY-FA or MY-EA</p>
<p>MY-DS</p>	<p>MYW-CA (w/MY-CA)</p>	<p>IF-DA for audio</p>
Video monitors & LEF intercoms		Chime, All Call & Music Adaptor
<p>MYH-CU & LEF-10S, etc.</p>	<p>MYH-CUB & LEF-10C, etc.</p>	<p>BG-10C: Requires DC12V, 2.5A power supply (PS-12F in USA), or BGR-10A Music Center w/DC 24V power supply (PS-24C in USA).</p>
		<ul style="list-style-type: none"> • DC 18V Video power supply PS-18E (PS-18C in N. America) • DC 12V Intercom power supply PS-12A, PS-12B or PS-12M (PS-12C in N. America)

2 NAMES AND FEATURES



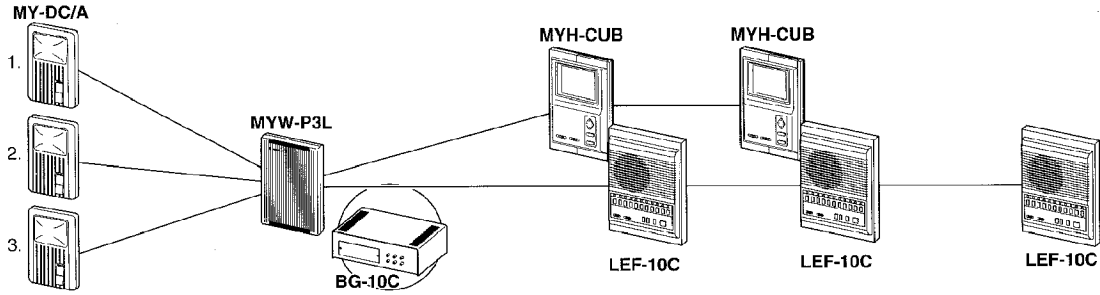
Features

- Single-gang wall mounting.
- Cable inlet on bottom or on top.
- Three entry controls. Provides video & chime tone activation, door release & auxiliary light activation.
- Video output to MYH monitors, with separate cable run. Audio output to LEF network (w/chime tone activation).
- Reset switch on back of front case.
- Standard video output connection (requires connector #261380 in USA).

2 INSTALLATION

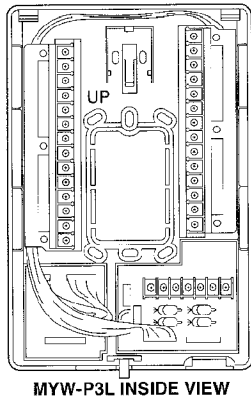
■ System configuration

The MYW-P3L provides a video system with up to 3 PanTilt doors and 2 monitors for LEF or LEF-C Intercom. (Additional monitors can be added, along with PS-18C or PS-18E power supply.)



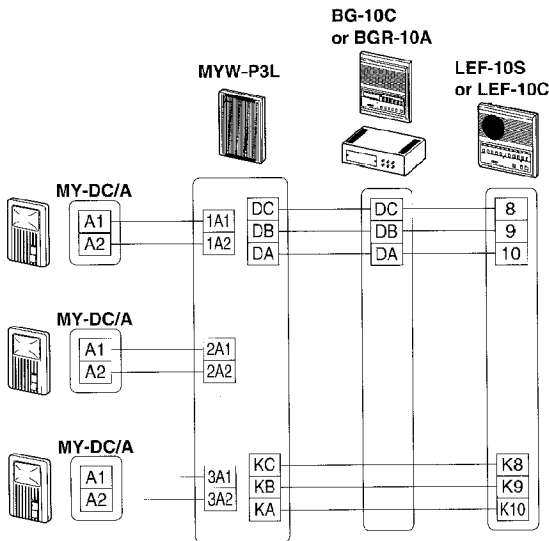
- * Entry area: PanTilt door station, or MYW-CA w/MY-CA and IE/IF door station.
- * Room area: Chime, All Call & Music adaptor, either BG-10C or BGR-10A (USA only) may be installed. There is no interconnect wires between MYH monitor and LEF intercom. Up to 3 monitors can be added with a supplementary power supply (Max. 75m, 245' to farthest monitor).

■ Terminal block layouts



- B1, B2:** Video signal output to MYH-CU(B).
 - 18V+, 18V-:** DC 18V power input.
 - U1, U2:** Monitor activation control
 - 1A1, 1A2:** 2-wire video input #1
 - 2A1, 2A2:** 2-wire video input #2
 - 3A1, 3A2:** 2-wire video input #3
 - DA, DB, DC** Audio communication and chime activation
 - E:** Common communication to LEF
 - R:** Occupied control
 - 12V+, 12V-:** DC 12V power input
 - EL2:** Door release control
 - KA,KB,KC:** Selective video control from LEF intercom
 - LA,LB,LC:** Selective door release control
 - b1,b2,b3:** Selective external device control
 - 4A1,4A2,MOD:** Not used
- ⚠ The unused terminals must not be connected.

■ Terminal block layouts

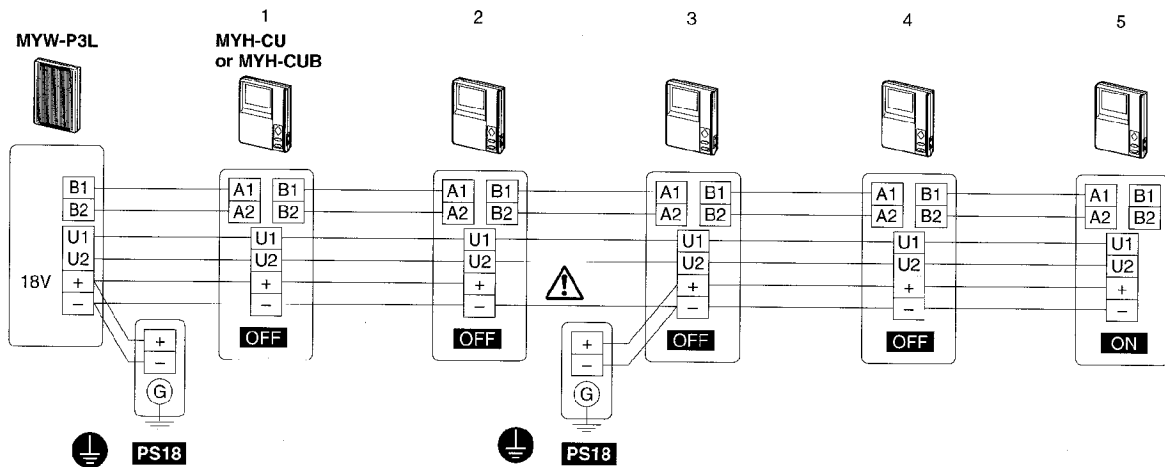


For PanTilt door station(s), assign a selector button as from 10 for door 1, 9 for door 2, ...

Entrance	1	2	3
Audio, video	1A1,1A2	2A1,2A2	3A1,3A2
Door strike control	LA, 12V+	LB, 12V+	LC, 12V+
Video control	KA	KB	KC
Audio & chime transmit	DA	DB	DC
LEF Selector button	10	9	8
LEF Video control	K10	K9	K8
Illumination control	b1	b2	b3

INSTALLATION

Video monitor & power supply

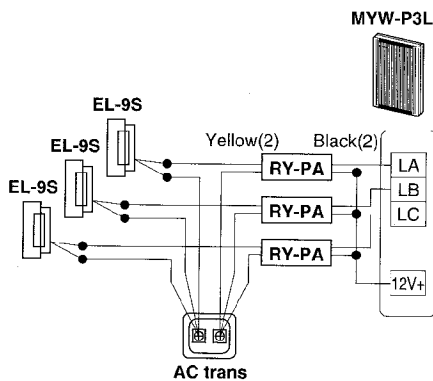


⚠ Do not connect + to + wire between monitors powered by different power supplies.

PS18 : PS-18C or PS-18E

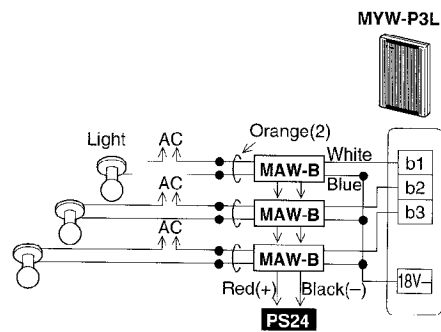
- Impedance-matching switch: Set to OFF on all monitors, except on the last monitor.
- Intercom wires must not be in the same jacketed cable.

Door release



Door release wires must be in separate jacketed cables from video wires.

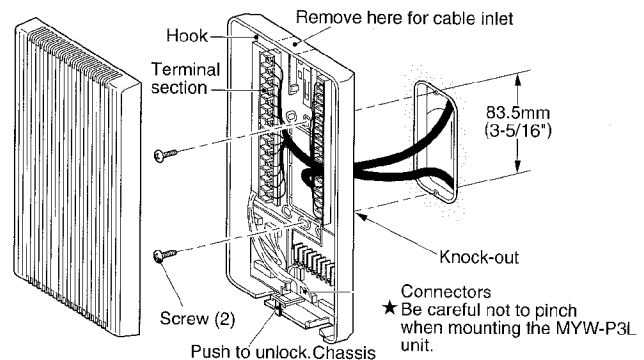
Auxiliary lights



PS24 : PS-24C or PS-24E

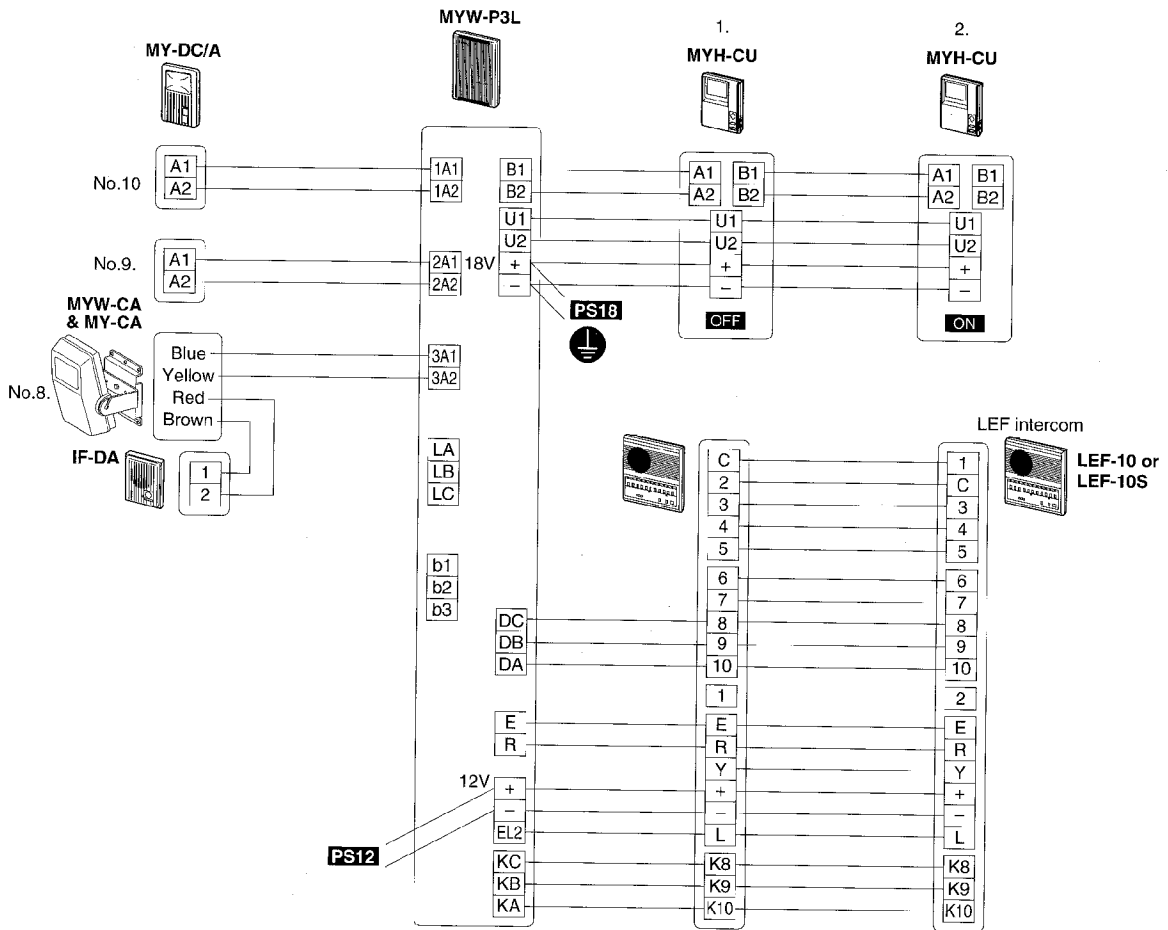
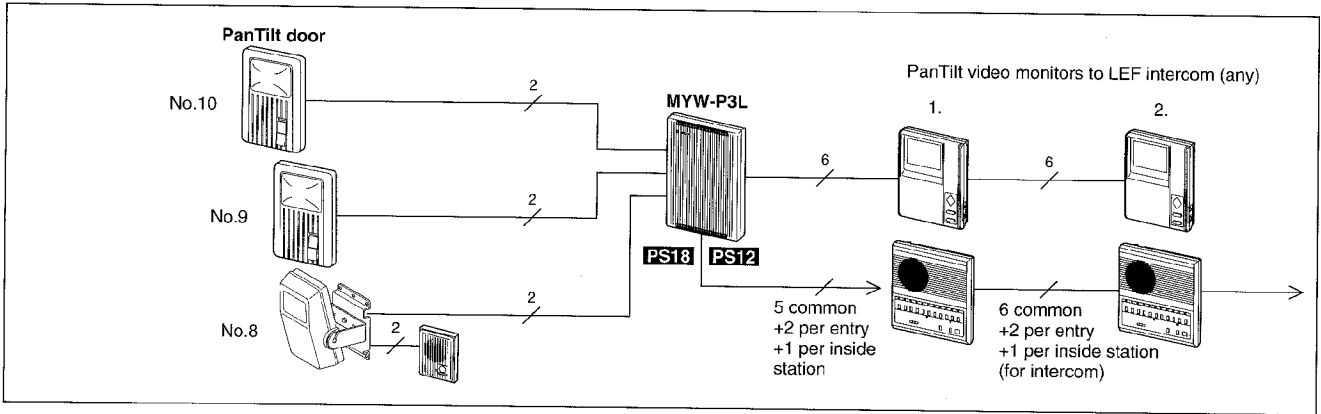
3 MOUNTING

1. Push button on the bottom, and lift front case off of chassis.
2. Disconnect the MYW-P3L unit from chassis.
3. Mount the chassis to wall or single-gang box.
4. Pull in cables and make wire terminations.
5. Reconnect and mount the MYW-P3L to chassis and lock.



WIRING DIAGRAMS

1. Full PanTilt door integration



• Distance

	1.0mmø	18AWG
MYW-P3L to PanTilt door	100m	330'
MYW-P3L to MYH-CU 1	75m	245'
MYW-P3L to MYH-CU 2	35m	115'
MYW-P3L to MYH-CU 2(*)	75m	245'
MYW-P3L to Power supply	5m	16'

(*)With +/- wires doubled (total 8 wires)

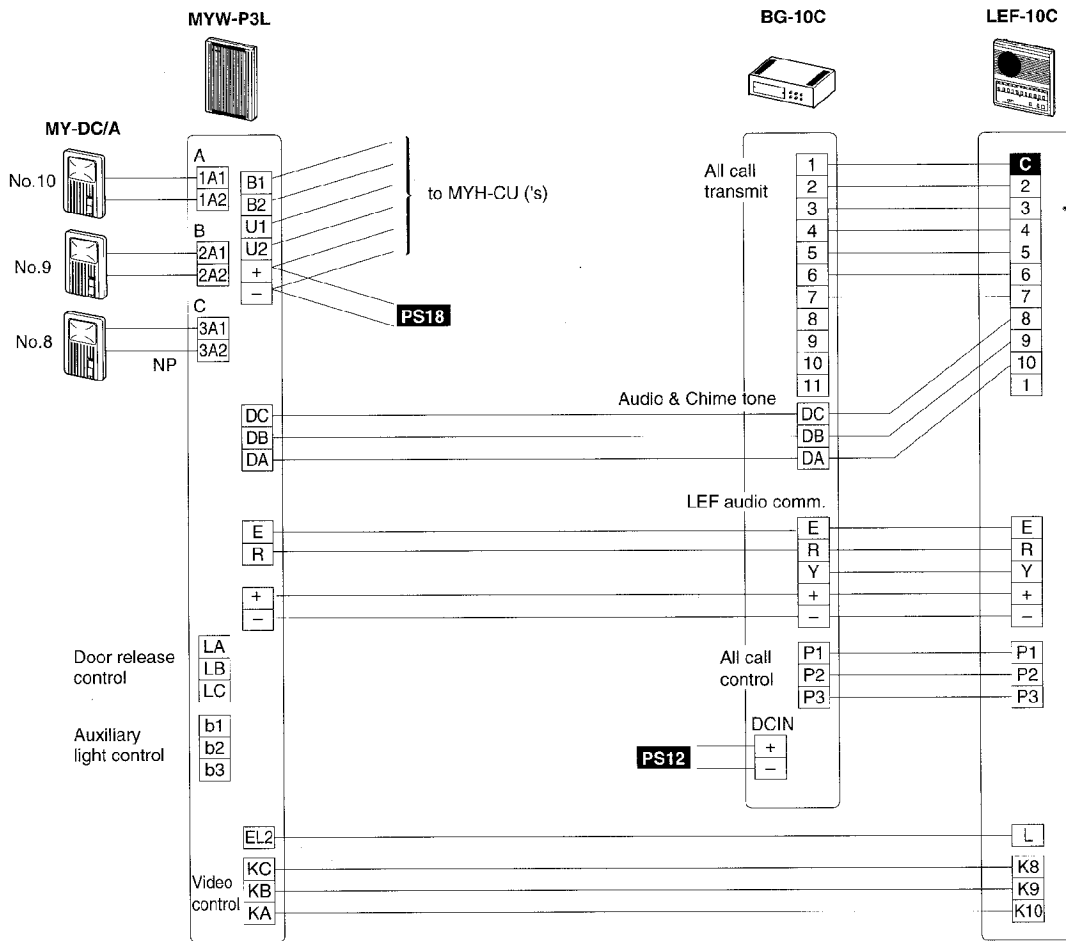
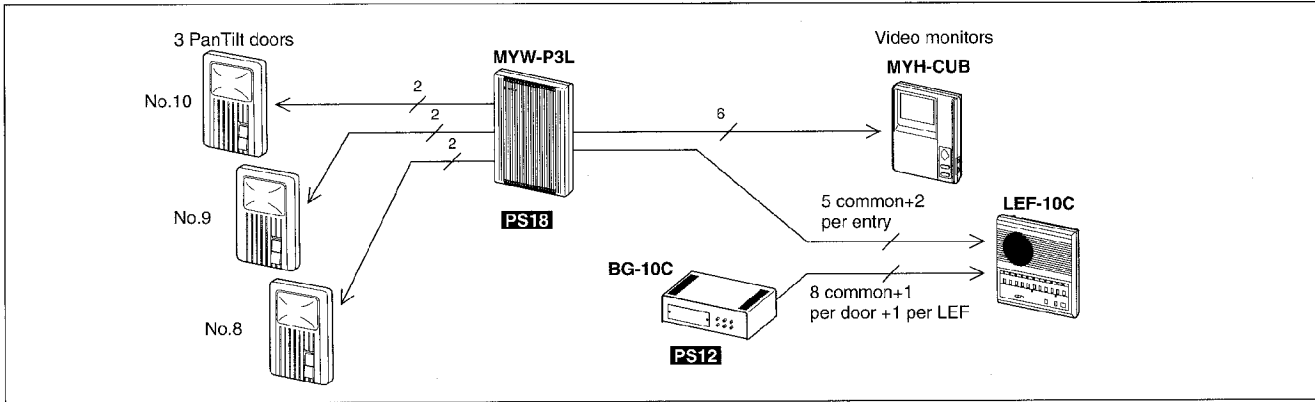
PS18 : PS-18C or PS-18E

PS12 : PS-12C, PS-12A, PS-12B, or PS-12M.

★ Use "C" versions in N. America.

WIRING DIAGRAMS

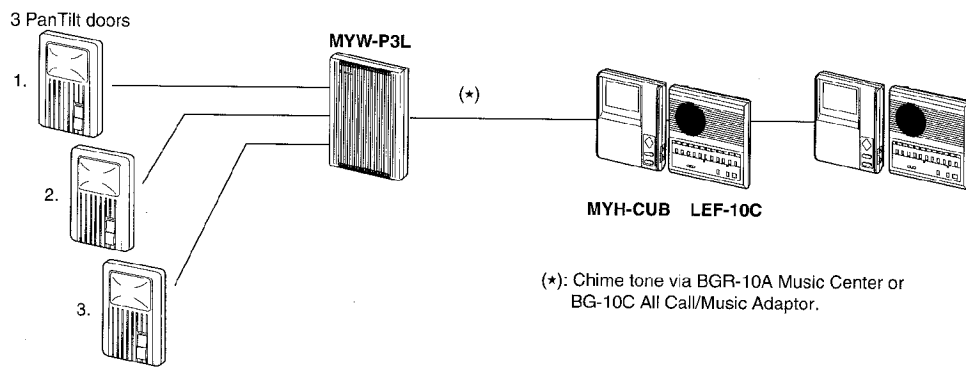
2. BG-10C All Call & Music integration with Chime Tone activation



PS12 : PS-12F AC120V, or DC12V, 2.5A.

PS18 : PS-18C AC120V, or PS-18E AC220-240V.

5 OPERATIONS



■ Receiving

1. Press call button on MY-DC/A(or other video door station).
 2. Call tone sounds, selector LED lights on LEF stations, and MYH-CU(B) monitor(s) turn on.
 3. Depress the lit station selector button, and to establish communication.
 4. Reply to the caller, depressing TALK button, and release to listen.
 5. Depress and hold down key-marked button to activate door release.
- ★ Call-in from another door turns on the selector LED, but does not activate video until current call is finished.

■ Visual monitoring

1. Press MONITOR button to turn on monitor and view door #1.
 2. Press MONITOR 2nd or 3rd time to view 2nd and 3rd door areas.
 3. Press MONITOR again to turn off.
- ★ The monitoring image remains on for 2-1/2 min.
- ★ Call-in has priority over monitoring.

■ Pan and Tilting a door camera

Turn on MYH-CU(B) monitor(s) with MONITOR button, or depress an assigned selector button. Scan door entry area or overhead MYW-CA surveillance area with PanTilt control pad on MYH-CU(B).

6 TECHNICAL PRECAUTIONS

• Wiring

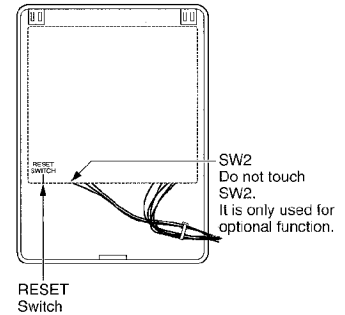
1. Run 2 parallel conductor cable to PanTilt door station. Do not use multiple conductors with other devices connected in the same cable. If the cable contains unused conductors, or other device wires, including door strike, it will seriously affect image quality.
2. Be careful not to connect 18V + terminal (on MYW-P3L) with any video control terminals, which can cause damage to MYW-P3L and monitors.

• Reset switch

When system malfunctions, press RESET switch to re-initialize the system (15 seconds per camera). The cameras are auto-initialized after the system power supplies are plugged in.

• Cleaning

Clean the MYW-P3L unit with a soft cloth dampened with neutral household cleanser. Never use any abrasive cleaner or cloth.



7 SPECIFICATIONS (MYW-P3L)

- Power source: DC 18V, 0.6A max. 0.15A (standby).
- Power supply: Use a PS-18C or PS-18E power supply for a basic system with two video monitors.
- No. of door stations: Three PanTilt door stations.
- No. of video monitors: Two MYH-CU(B)'s, expandable
- Controls: Door release and auxiliary lights (3 each, selectively controlled).
- Wiring: 2 parallel wires per PanTilt door station.
5 wires to video monitors.
5 wires (common) + 2 per entry to LEF network

Distance:	1.0mmø	18AWG
* MYW-P3L to PanTilt door	100m	330'
* MYW-P3L to MYH-CU(B)	75m	245'
* MYW-P3L to farthest of two	35m	115'
* When + and - wired with	75m	245'
* MYW-P3L to PS-18C/18E	5m	16'

WARRANTY

Aiphone warrants its products to be free from defects of material and workmanship under normal use and service for a period of two years after delivery to the ultimate user and will repair free of charge or replace at no charge, should it become defective upon which examination shall disclose to be defective and under warranty. Aiphone reserves unto itself the sole right to make the final decision whether there is a defect in materials and/or workmanship; and whether or not the product is within the warranty.

This warranty shall not apply to any Aiphone product which has been subject to misuse, neglect, accident, or to use in violation of instructions furnished, nor extended to units which have been repaired or altered outside of the factory. This warranty does not cover batteries or damage caused by batteries used in connection with the product.

This warranty covers bench repairs only, and any repairs must be made at the shop or place designated in writing by Aiphone.

Aiphone will not be responsible for any costs incurred involving on site service calls.

AIPHONE CO., LTD., Nagoya, Japan
AIPHONE CORPORATION, Bellevue, WA, USA

MYW-P3L-I(E) 0697C

COMMUNICATION SYSTEMS
AIPHONE
HOME. BUSINESS. INDUSTRY.
Printed in Japan (E)