

RY-PA-10/A 10 Relay Adaptor

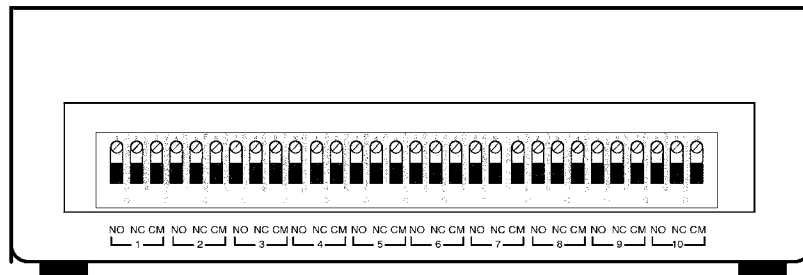
For use with the LEF, LDF and NDR Systems

- INSTRUCTIONS -

The RY-PA-10/A is a multiple output relay adaptor, featuring 10 individually controlled relays with both Normally Open and Normally Closed contacts. All relay contacts are rated at 240V AC, 300mA or 24V DC, 1A. The RY-PA-10/A is ideal for systems providing selective door release, CCTV camera call-up, or a combination of both.

RY-PA-10/A Terminal Definition:

RY-PA-10/A Front View
(Output to devices)

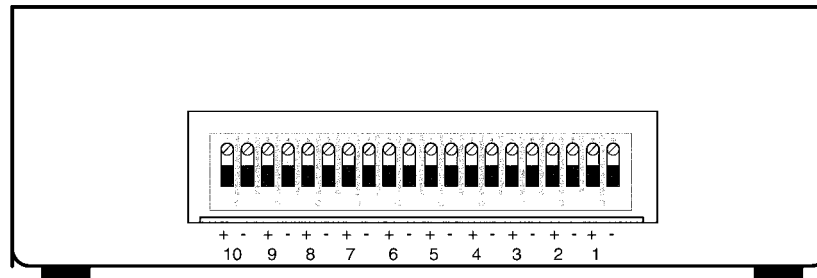


NO1: Normally Open Contact, Relay #1
NC1: Normally Closed Contact, Relay #1
CM1: Common Contact, Relay #1
NO2: Normally Open Contact, Relay #2
NC2: Normally Closed Contact, Relay #2
CM2: Common Contact, Relay #2
NO3: Normally Open Contact, Relay #3
NC3: Normally Closed Contact, Relay #3
CM3: Common Contact, Relay #3

NO4: Normally Open Contact, Relay #4
NC4: Normally Closed Contact, Relay #4
CM4: Common Contact, Relay #4
NO5: Normally Open Contact, Relay #5
NC5: Normally Closed Contact, Relay #5
CM5: Common Contact, Relay #5
NO6: Normally Open Contact, Relay #6
NC6: Normally Closed Contact, Relay #6
CM6: Common Contact, Relay #6

NO7: Normally Open Contact, Relay #7
NC7: Normally Closed Contact, Relay #7
CM7: Common Contact, Relay #7
NO8: Normally Open Contact, Relay #8
NC8: Normally Closed Contact, Relay #8
CM8: Common Contact, Relay #8
NO9: Normally Open Contact, Relay #9
NC9: Normally Closed Contact, Relay #9
CM9: Common Contact, Relay #9
NO10: Normally Open Contact, Relay #10
NC10: Normally Closed Contact, Relay #10
CM10: Common Contact, Relay #10

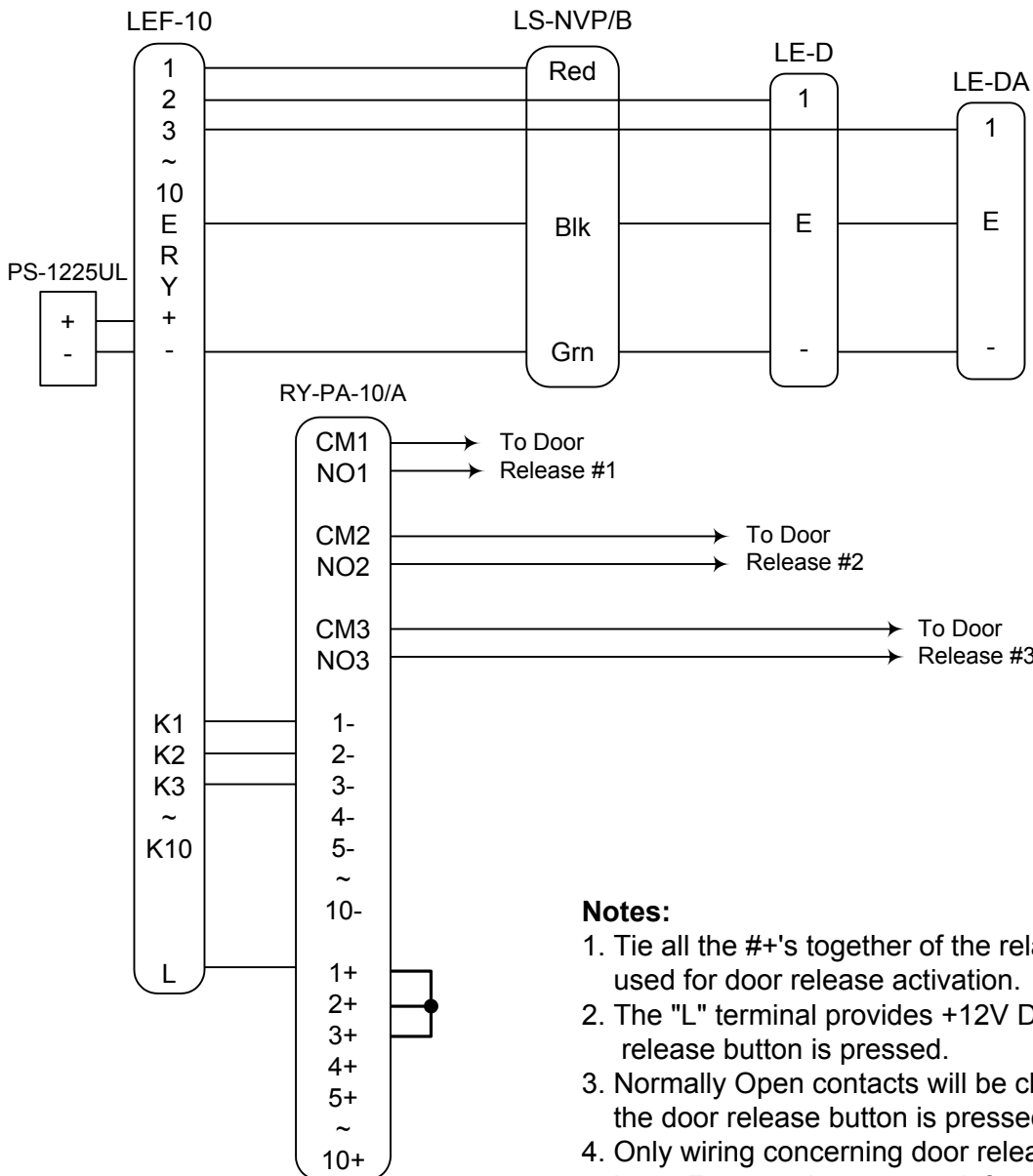
RY-PA-10/A Back View
(Input from intercom)



1+: Positive 12V DC Input, Relay #1
1-: Negative, Relay #1
2+: Positive 12V DC Input, Relay #2
2-: Negative, Relay #2
3+: Positive 12V DC Input, Relay #3
3-: Negative, Relay #3
4+: Positive 12V DC Input, Relay #4
4-: Negative, Relay #4
5+: Positive 12V DC Input, Relay #5
5-: Negative, Relay #5

6+: Positive 12V DC Input, Relay #6
6-: Negative, Relay #6
7+: Positive 12V DC Input, Relay #7
7-: Negative, Relay #7
8+: Positive 12V DC Input, Relay #8
8-: Negative, Relay #8
9+: Positive 12V DC Input, Relay #9
9-: Negative, Relay #9
10+: Positive 12V DC Input, Relay #10
10-: Negative, Relay #10

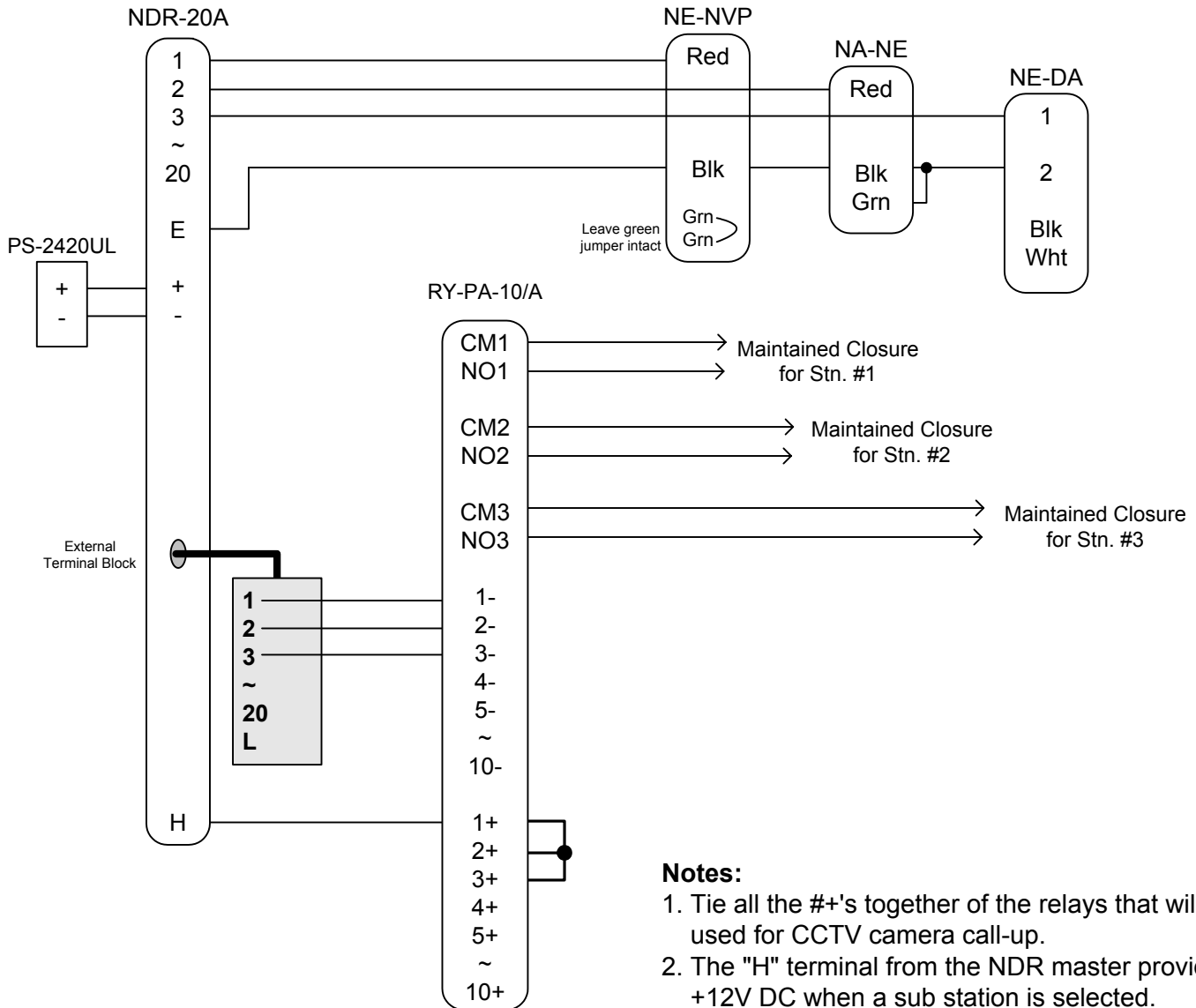
WIRING DIAGRAM: RY-PA-10/A USED FOR SELECTIVE DOOR RELEASE



Notes:

1. Tie all the #+'s together of the relays that will be used for door release activation.
2. The "L" terminal provides +12V DC when door release button is pressed.
3. Normally Open contacts will be closed as long as the door release button is pressed.
4. Only wiring concerning door release is shown here. For complete system information, refer to the system installation manual.

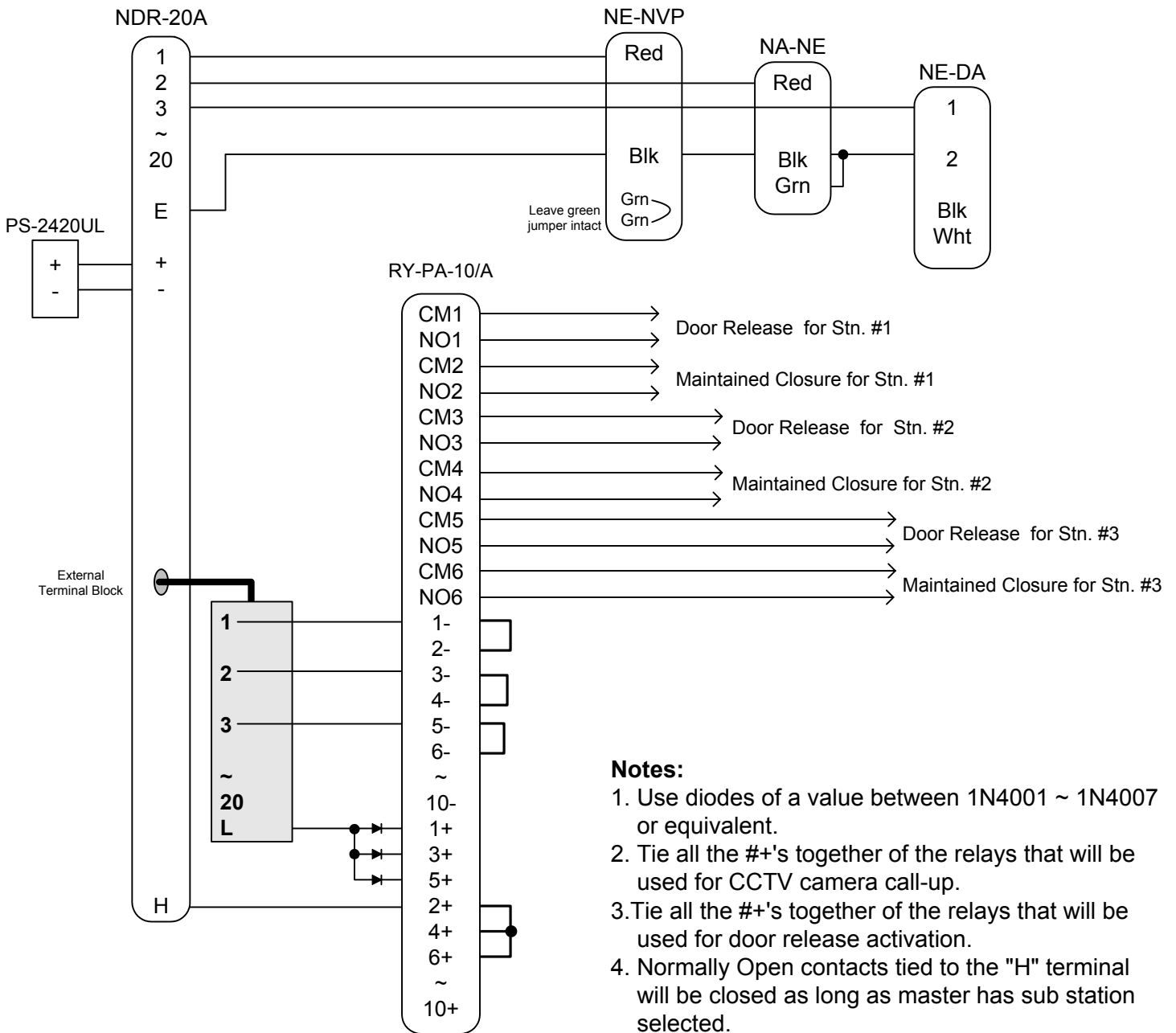
WIRING DIAGRAM: RY-PA-10/A USED FOR CCTV CAMERA CALL-UP



Notes:

1. Tie all the #+'s together of the relays that will be used for CCTV camera call-up.
2. The "H" terminal from the NDR master provides +12V DC when a sub station is selected.
3. Normally Open contacts will be closed as long as master has sub station selected.
4. Only wiring concerning door release is shown here. For complete system information refer to the system installation manual.

WIRING DIAGRAM: RY-PA-10/A USED FOR BOTH SELECTIVE DOOR RELEASE AND CCTV CAMERA CALL-UP



Notes:

1. Use diodes of a value between 1N4001 ~ 1N4007 or equivalent.
2. Tie all the #+'s together of the relays that will be used for CCTV camera call-up.
3. Tie all the #+'s together of the relays that will be used for door release activation.
4. Normally Open contacts tied to the "H" terminal will be closed as long as master has sub station selected.
5. Normally Open contacts tied to the "L" terminal on the separate terminal block will be closed as long as the door release button is pressed.
6. Only wiring concerning relay connection is shown here. For complete system information refer to the system installation manual.