

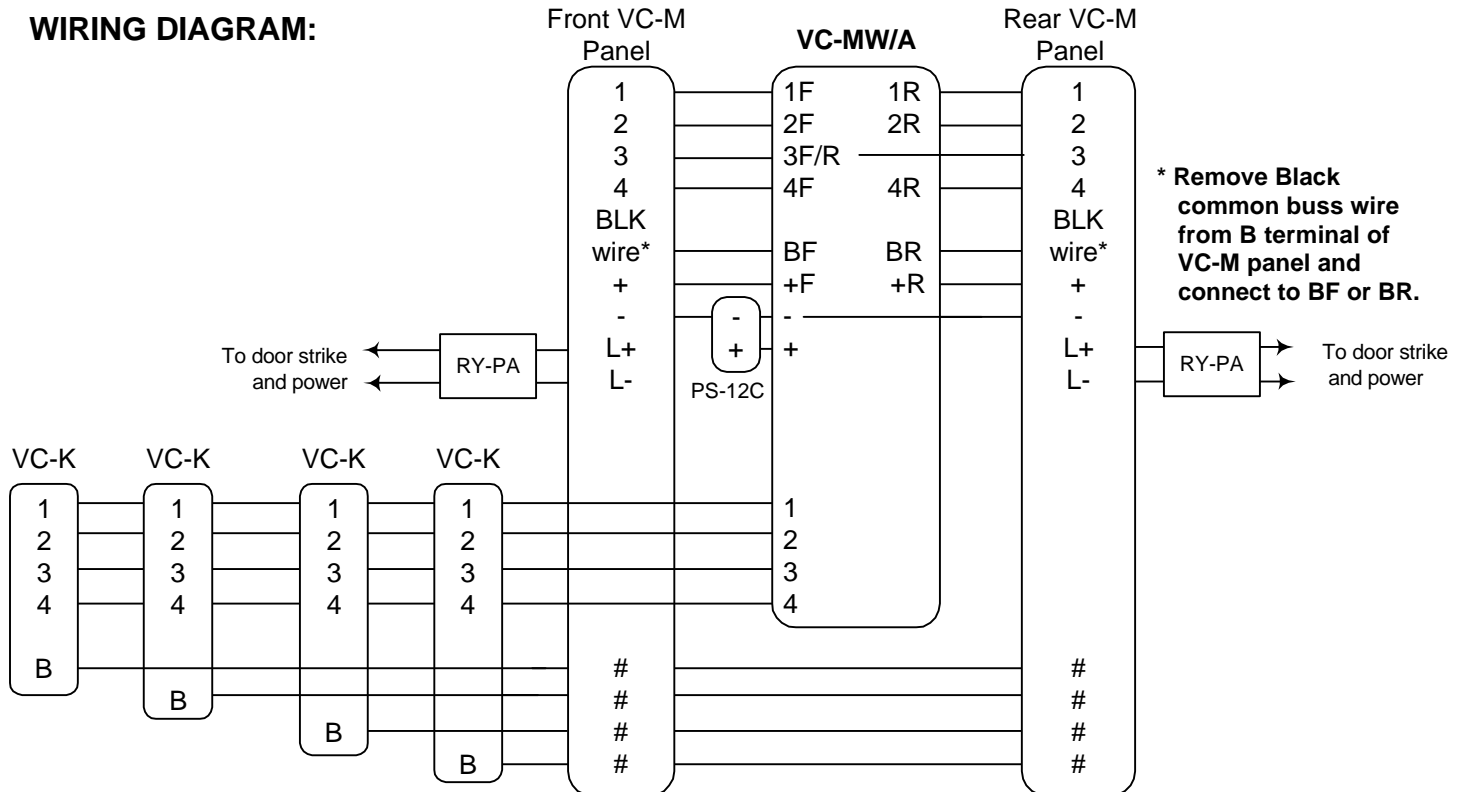
VC-MW/A

Dual Entrance Adaptor for VC-M

- INSTRUCTIONS -

The VC-MW Dual Entrance Adapter provides selective communication and selective door release for the VC-M Multi-Unit Entry System. Two entrance panels can be employed to call to each inside station.

WIRING DIAGRAM:



NOTES:

1. Disconnect wire from B terminal on VC-M panel and connect to corresponding BF/BR terminal on VC-MW/A.
2. When rear VC-M panel signals a room station, the call must be answered within 30 seconds. If the apartment attempts to answer the call after 30 seconds, communication will be heard at the front VC-M panel. Depressing the hookswitch twice quickly will re-establish communication with the rear panel.
3. When system is in use, a busy signal will be heard at the other entrance panel if a call is attempted.
4. Directory panel backlighting requires an additional power supply in a system with the VC-MW/A.
5. For complete system instructions, please refer to the standard VC-M Installation Manual included with the equipment.

VC-MW Terminal Definitions:

- 1F~4F** Common wires for front VC-M entrance panel
- 1R~4R** Common wires for rear VC-M entrance panel
- 3F/R** Common wires for both VC-M entrance panels
- +F/+R** Power for VC-M entrance panel
- +** 12V DC positive (incoming power)
- 12V DC negative (incoming power)
- BF** Common call button wire from front VC-M panel
- BR** Common call button wire from rear VC-M panel
- 1** Communication from VC-K to VC-M
- 2** Communication from VC-M to VC-K
- 3** Ground
- 4** Door release activation

SPECIFICATIONS:

Power: 12V DC, provided from system power supply (PS-12C)
Dimensions: 6-1/4" H x 6" W x 1-3/4" D

Aiphone Communication Systems
1700 130th Ave. N.E.
Bellevue, WA 98005
(425) 455-0510
FAX (425) 455-0071

TOLL FREE TECHNICAL SUPPORT:

(800) 692-0200
TOLL FREE FAX LINE:
(800) 832-3765
E-MAIL: tech-serv@aiphone.com