

PACKAGING AND HANDLING

DISCONNECTED KS-16765, LIST 1 ANNOUNCEMENT SETS

1.00 GENERAL

To prevent damage when transporting KS-16765, List 1 announcement sets and accessories, pack and handle as follows.

2.00 REMOVAL AND PREPARATION FOR TRANSIT

- Use shipping lock spring to secure magnetic head (Fig. 1).
- Position the bail shipping lock against bail assembly (Fig. 1).
- Place announcement set in the approved cardboard container (Fig. 2).

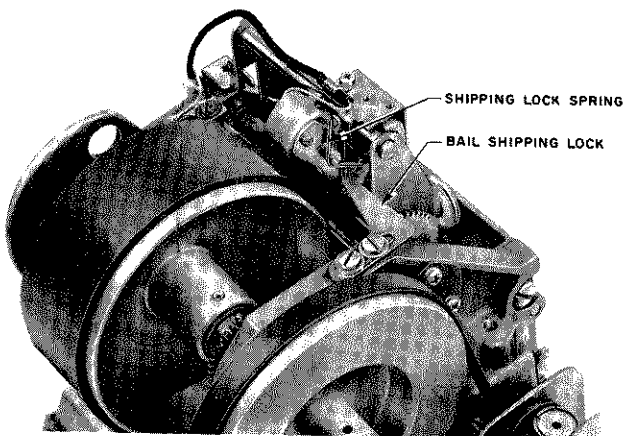


Fig. 1 — KS-16765, List 3 Recorder Head

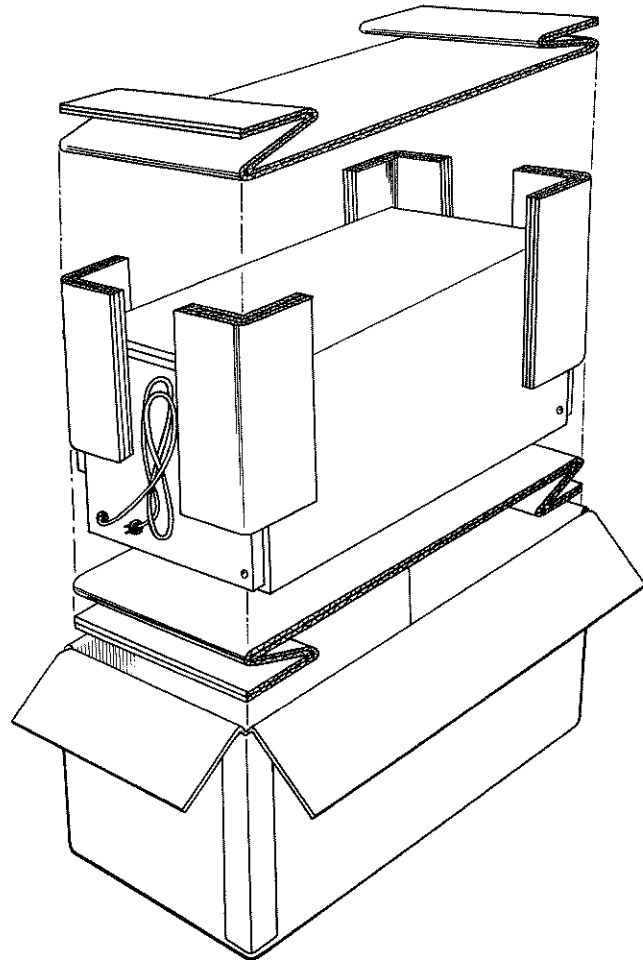


Fig. 2 — Packing Container

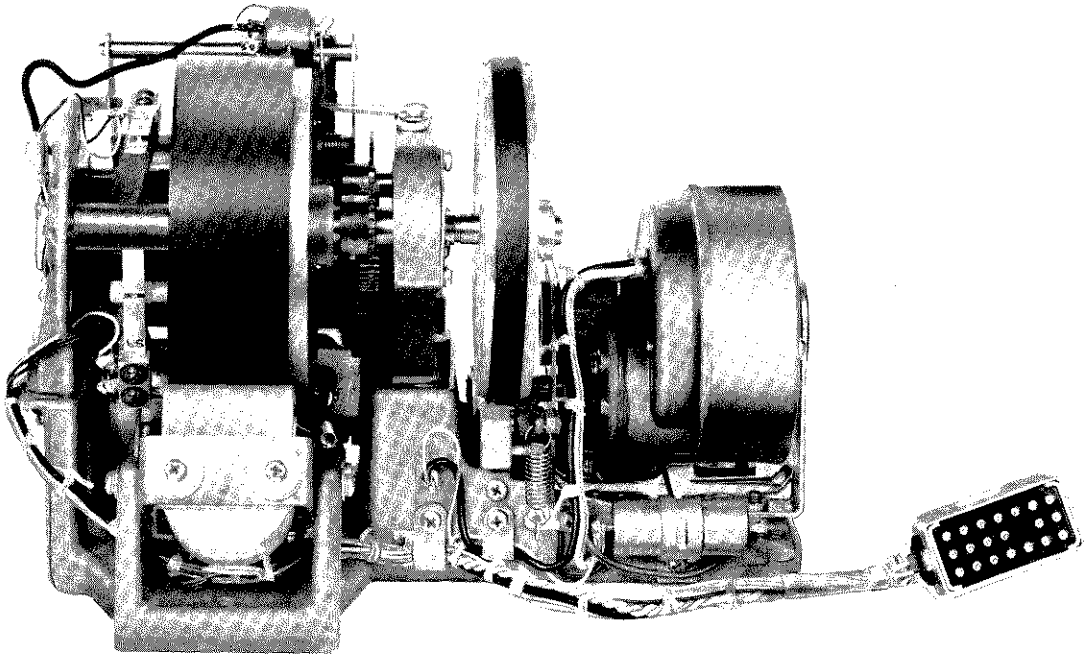


Fig. 3 — KS-16765, List 3 Recorder

- **K**-16765, List 3 recorder (Fig. 3) may be returned separately. Use protective wrapping and place in appropriate carton.
- KS-16765, List 4 amplifier (Fig. 4) may be returned separately. Use protective wrapping and place in appropriate carton.



Absolutely nothing else shall be put in the carton with announcement set, recorder, or amplifier. Scrap or other material of any sort shall be transported separately.

- Arrangements should be made with local Western Electric Company distributing houses for stocking shipping cartons to be used with returned and reissued KS-16765, List 1 announcement sets and accessories.

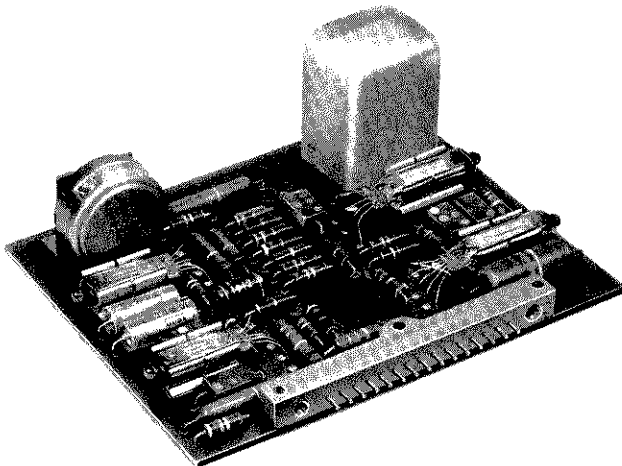


Fig. 4 — KS-16765, List 4 Amplifier