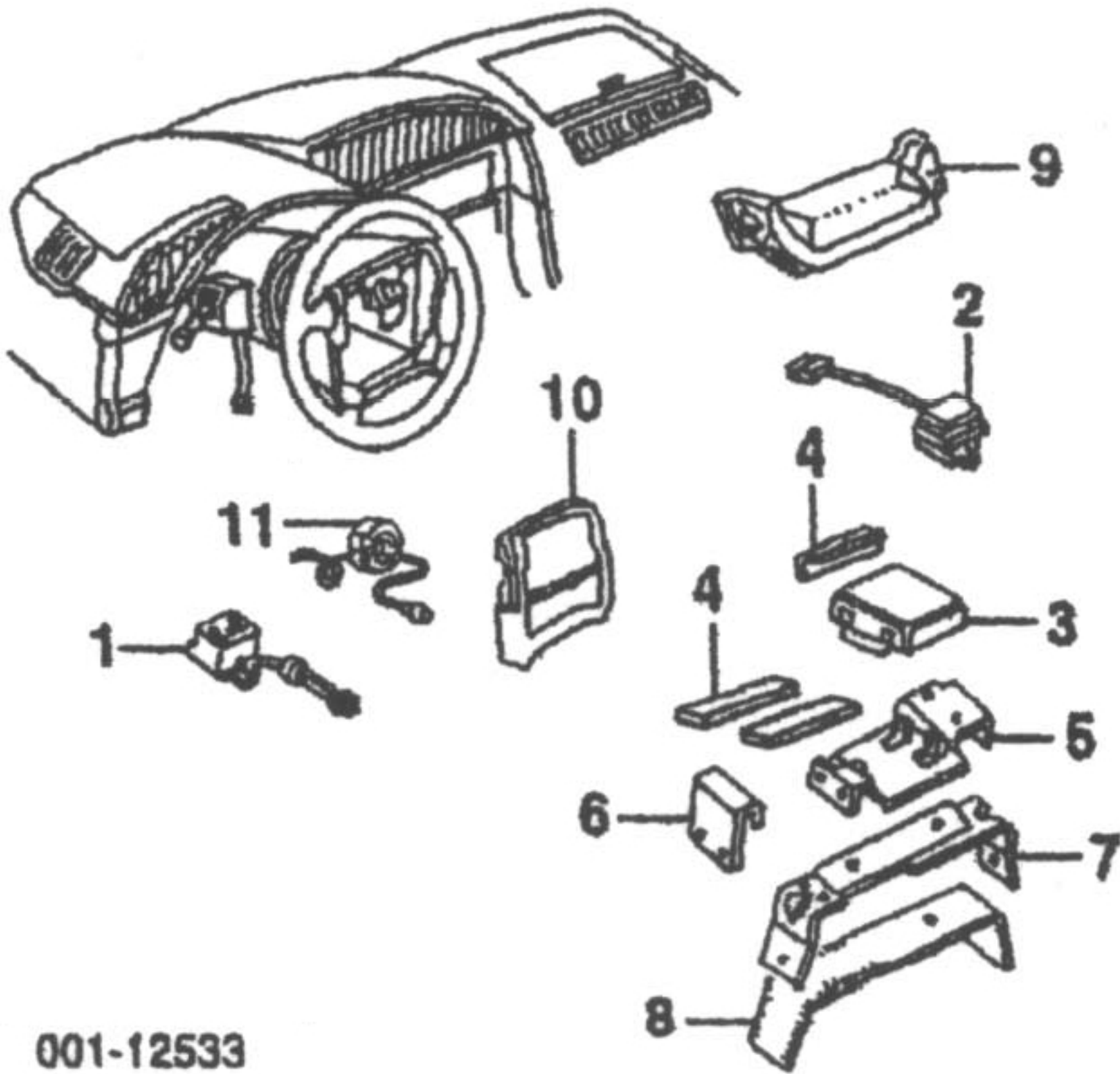


AIR BAG SYSTEM

Disable & Enable Air Bag System.....m .3
 Diagnose Air Bag System (If Required).....m .5

NOTE 1: R&I/R&R Does Not include disable and enable or diagnose Air Bag System.

NOTE 2: Refer to Procedure Explanation 30 for Supplemental Restraint/Air Bag System Component Inspection and Replacement information.



001-12533

1 Sensor, Front Impact	90 R	10094613	m	1.6	■72.25	
	L	10094613	m	2.2	■72.25	
	91-96 R	10177901	m	1.6	72.25	
	L	10177901	m	2.2	72.25	
2 Sensor, Arming	91-93	10177902	m	3.5	72.25	
	94-96	10143543	m	1.6	72.25	
3 DERM Unit	90	10094618	m	3.5	895.00	
	91-93	1228874	m	3.5	431.00	
	94-96	16176558	m	1.9	322.00	
	91-96	3999572	m		4.65	
4 Insulator, DERM (3) Bracket, DERM						
5 Lower	91-93	10193723	m		10.00	
6 Side	R	10086177	m		1.45	
	L	10086086	m		1.45	
7 Support, DERM		10086085	m		11.40	
8 Reinforcement, DERM Module, Air Bag		10086173	m		8.20	
9 Passenger	94-96	10252293	m	#.5	733.00	
<i>#Included in R&R Instrument Panel</i>						
10 Driver	Type 1					
		90	10104008	m	#.5	844.00
		91-93	10158008	m	#.5	844.00
	Type 2	94-96	16752392	m	#.5	601.00
<i>#Included in R&R Steering Wheel</i>						
11 Coil, Air Bag		90	26013920		1.3	214.00
		91-93	26013854		1.3	■177.00
		94-96	26041005		1.3	■141.00

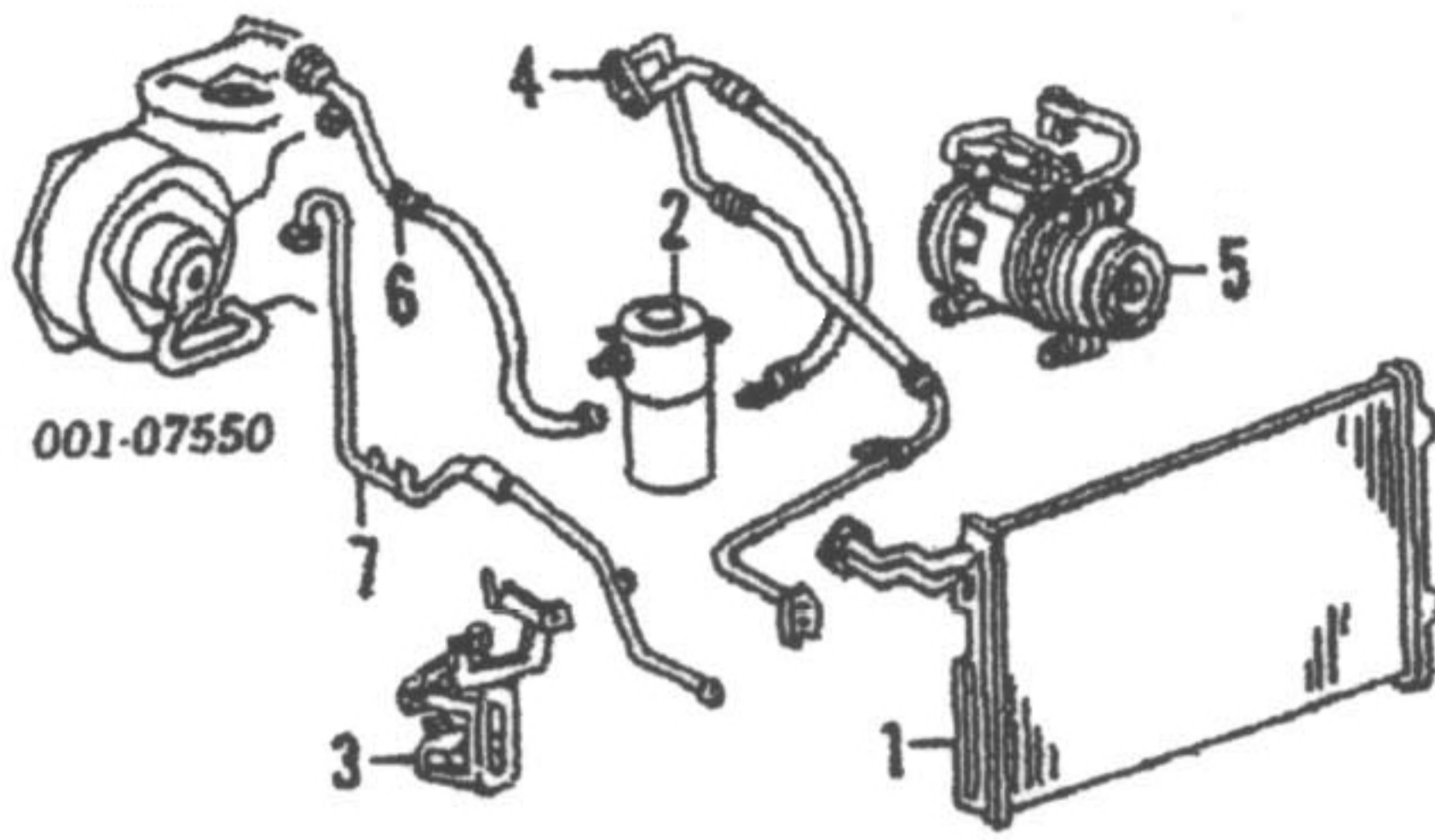
AIR CONDITIONING/HEATER

Use Procedure Explanation 6 with the following text.

AIR CONDITIONING

Evacuate & Recharge System m 1.4
Refrigerant Recovery m .3

NOTE: R&V/R Does Not include recover, evacuate and recharge system.



1 Condenser	84-85	3050981	m #1.8	262.48
	86-87	3056639	m #1.8	212.96
	88	3096179	m #1.8	220.39
	89	3056639	m #1.8	212.96
	90-93	52456459	m #1.8	205.52
	94-96	52463706	m #1.8	255.05

2 Receiver/Drier	<i>#w/Auto Trans Add .2, w/ZR-1 Add .9</i>			
	84-87	2724809	m .6	106.46
	88-92	2724244	m .6	96.56
	93	2724681	m .6	106.46
	94-96	2724830	m .6	64.38

3 Bracket, Receiver/Drier	1984	14052397	#.1	d14.00
	1985-87			
	Coupe	14091039	#.1	d16.60
	Convertible	14092716	#.1	d23.30
	1988-89	10120043	#.1	17.25
	1990-96	10158061	#.1	13.90

Order by Application

#w/Receiver/Drier Removed

4 Fitting w/Hoses	Standard	84	14046042	m .5	59.43	
		85-87	14081324	m .5	78.50	
		88	10135634	m .5	146.11	
		89	10135635	m .5	84.18	
		90-91	10086201	m .5	84.18	
		92	10135693	m .5	84.18	
		93	10211891	m .5	79.25	
		94-96	10219089	m .5	84.18	
		ZR-1	90-94	10229061	m .9	84.18
			95	10219090	m .9	84.18

5 Compressor	Standard	84	1134319	m 1.0	330.22	
		85-87	1134317	m 1.0	330.22	
		88-91	10158032	m 1.0	691.85	
		92-93	10243782	m 1.0	691.85	
		94-96	10243781	m 1.0	691.85	
		ZR-1	90-91	10158038	m 2.7	691.85
			92-93	10157911	m 2.7	978.69
			94-95	10243783	m 2.7	691.85

Pulley w/Bearing (a)	Standard	84	6580037	m #.8	159.66
		85-87	6580044	m #.8	159.66
		88-96	N.A.	m #.8	N.A.
		ZR-1	90-93	10158042	m #.8
	94-95	N.A.	m #.8	N.A.	

Clutch (a)	Standard	84-85	6551838	m #.8	57.25	
		86-87	6580056	m #.8	65.92	
		88-89	10135602	m #.8	328.78	
		90-91	10158036	m #.8	311.97	
		92-95	10243784	m #.8	297.26	
		96	10243784	m #.8	297.26	
		ZR-1	1990	10158044	m #.8	311.00
			1991	10243785	m #.8	358.19
			1992-95	10243785	m #.8	358.19

Order by Application

#R&R Complete

Coil w/Housing (a)	Standard	84-87	6551997	m 1.4	69.59	
		88-89	10135603	m 1.4	88.23	
		90-91	10158035	m 1.4	88.23	
		92-93	10157929	m 1.4	102.68	
		94-96	N.A.	m 1.4	N.A.	
		ZR-1	90	10158043	m 3.1	215.00
			91-93	10157969	m 3.1	215.00
			94-95	N.A.	m 3.1	N.A.

(a) Included w/Compressor

Bracket, Compressor Mount	Standard	84	14055137	#.2	37.00	
		85-87	14084340	#.2	31.25	
		88-91	10105236	#.2	45.75	
		92-96	12550052	#.2	71.75	
		ZR-1	90-92	N.A.	#.2	N.A.
			93	12550052	#.2	71.75
			94-95	N.A.	#.2	N.A.

#w/Compressor Removed

Brace, Compressor

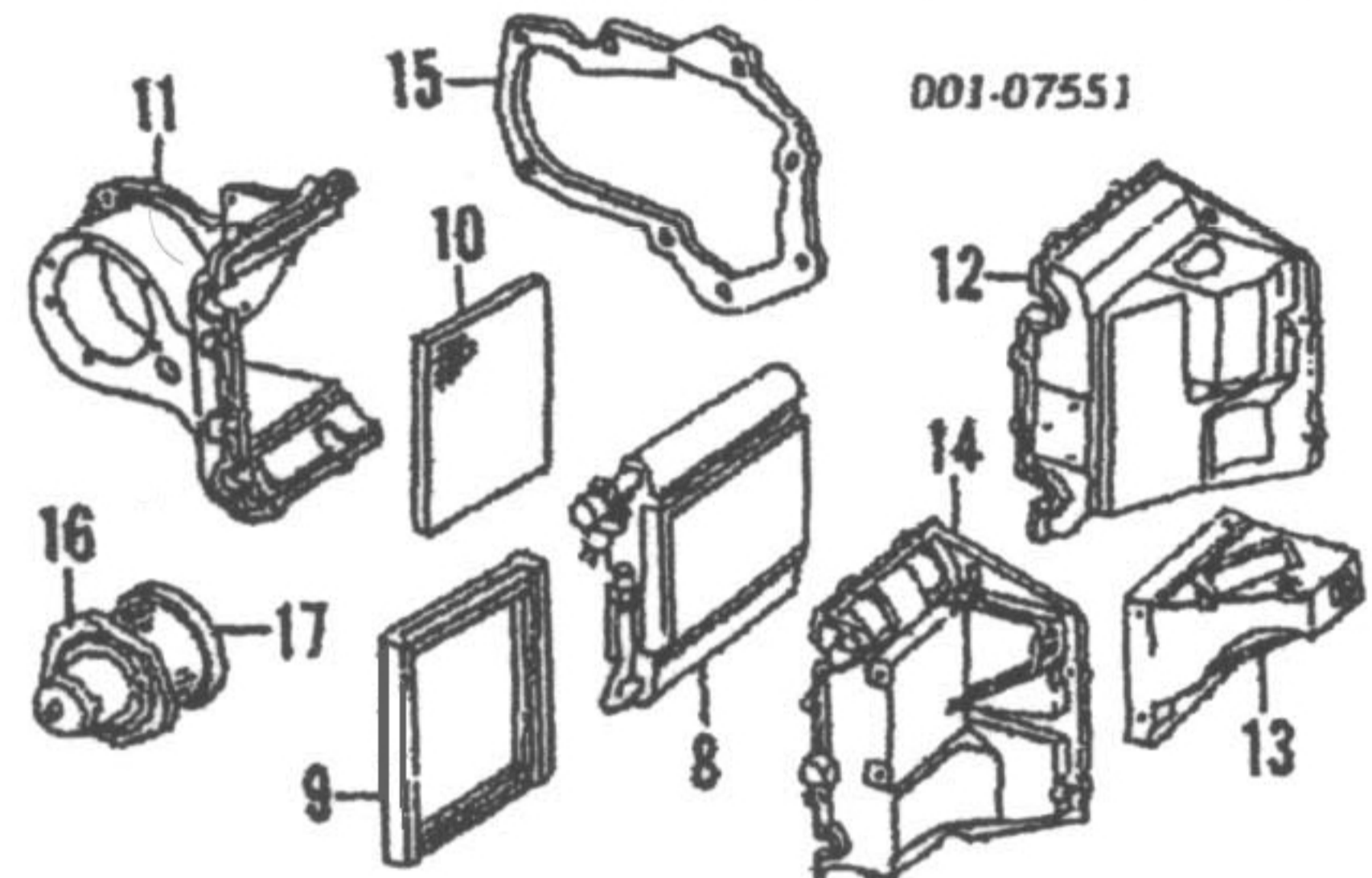
Standard	1984				
	To Exh Manifold	14055119	#.1	d22.65	
	To Int Manifold	14055120	#.1	d7.80	
	1985-87	14084315	#.1	8.60	
	1988	10055753	#.1	8.60	
	1989-91	Upper	10055753	#.1	8.60
		Lower	10105223	#.1	8.60
	1992-96	Upper	10128423	#.1	8.60
		Lower	10105400	#.1	6.10
	ZR-1	N.A.	#.1	N.A.	

#w/Compressor Removed

6 Hose, Receiver/Drier	Standard	84	14052403	m .5	30.25	
		85-87	14081325	m .5	30.25	
		88-89	10077230	m .5	30.25	
		90-91	10086203	m .5	47.04	
		92	10135696	m .5	47.04	
		93	10232059	m .5	47.04	
		94-96	10254451	m .5	47.04	
		ZR-1	90-92	10157992	m .9	59.43
			93-94	10232060	m .9	47.04
			95	10232062	m .9	47.04

7 Tube, Evaporator

Standard	84	14044430	m .5	d12.85	
	85-87	14081366	m .5	41.50	
	88	10077229	m .5	26.00	
	89	10120068	m .5	31.25	
	90-91	10086202	m .5	31.25	
	92	10135694	m .5	31.25	
	93	10211892	m .5	30.25	
	94-96	10219091	m .5	33.00	
	ZR-1	90-91	14104967	m .9	40.75
		92	10135695	m .9	48.25
		93	10211890	m .9	40.25
		94-95	10219092	m .9	43.75



8 Core, Evaporator

Standard	84	3052790	m 2.8	307.04	
	85-89	3057733	m 2.8	329.33	
	90-91	52452950	m 2.8	319.43	
	92-93	52452950	m 4.0	319.43	
	94-96	52463785	m 4.0	294.66	
	ZR-1	90-94	52452951	m 4.0	311.99
		95	52463787	m 4.0	294.66

9 Seal, Core

Standard	84-93	3052755	m	9.05
	94-96	3095717	m	6.70
	ZR-1	3095717	m	6.70

10 Filter, Water

Standard	84-93	3052786	m	12.50
	94-96	3095748	m	12.50
	ZR-1	3095748	m	12.50

11 Case, Evaporator

Inlet	Standard	84-86	3057960	m	31.25
		87-88	3094162	m	65.00
		92-96	3094161	m	21.90
			52453155	m	40.75

12 Outlet

Standard	84	3094724	m	d85.75
	85-96	52457755	m	46.75
	ZR-1	Upper	52452599	m
Lower		52450785	m	47.00

15 Gasket, Case

Standard	84-85	52466079	m #.7	71.46
	86-96	52466080	m #.7	81.70
	84-91	52451060	m #.7	32.04
ZR-1	92-96	52460704	m #.7	19.38

17 Fan, Blower

*Included w/Blower Motor
#R&R Complete, 92-95 Add .3*

A/C REFRIGERANT CAPACITIES

A/C R-12 Refrigerant Capacity

1984-89: 44 Ozs (2.75 Lbs)

1990-93: 36 Ozs (2.25 Lbs)

A/C R-134 Refrigerant Capacity

1994-96: 32 Ozs (2.0 Lbs)

ALTERNATOR

Alternator Standard

1984		10479865	m	.8	■314.10
1985		10479868	m	.8	361.00
1986¶		10497122	m	.8	■171.00
1987¶		10463007	m	.8	■171.00
1988-90¶		10463097	m	.8	■128.11
1991¶		10463173	m	.8	■128.11
1992-93¶		10463242	m	.8	■215.00
1994-95¶		10463679	m	.8	■250.00
1996					
LT1		10463679	m	.8	■250.00
LT4		10463677	m	.8	■250.00
ZR-1¶	90	10463081	m	1.8	■215.00
	91	10463257	m	1.8	■214.00
	92-95	10463257	m	1.8	■214.00

¶*Remanufactured Part. Contact Dealer for Core Charge & Exchange Information*

Pulley, Alternator

1984-85		1989104	m	#.1	17.95
1986-87		10496580	m	#.1	17.75
1988-89		1985964	m	#.1	16.30
1990-96					
Standard		1985964	m	#.1	16.30
ZR-1		10498550	m	#.1	18.90

Fan, Alternator

1984-85		1978026	m	#.1	19.00
1986-89		1989581	m	#.1	4.70
1990-96					
Standard	90-91	1989581	m	#.1	4.70
	92	1985964	m	#.1	16.30
	93-96	10471962	m	#.1	20.30
ZR-1		1978026	m	#.1	19.00

#w/Belt or Alternator Removed

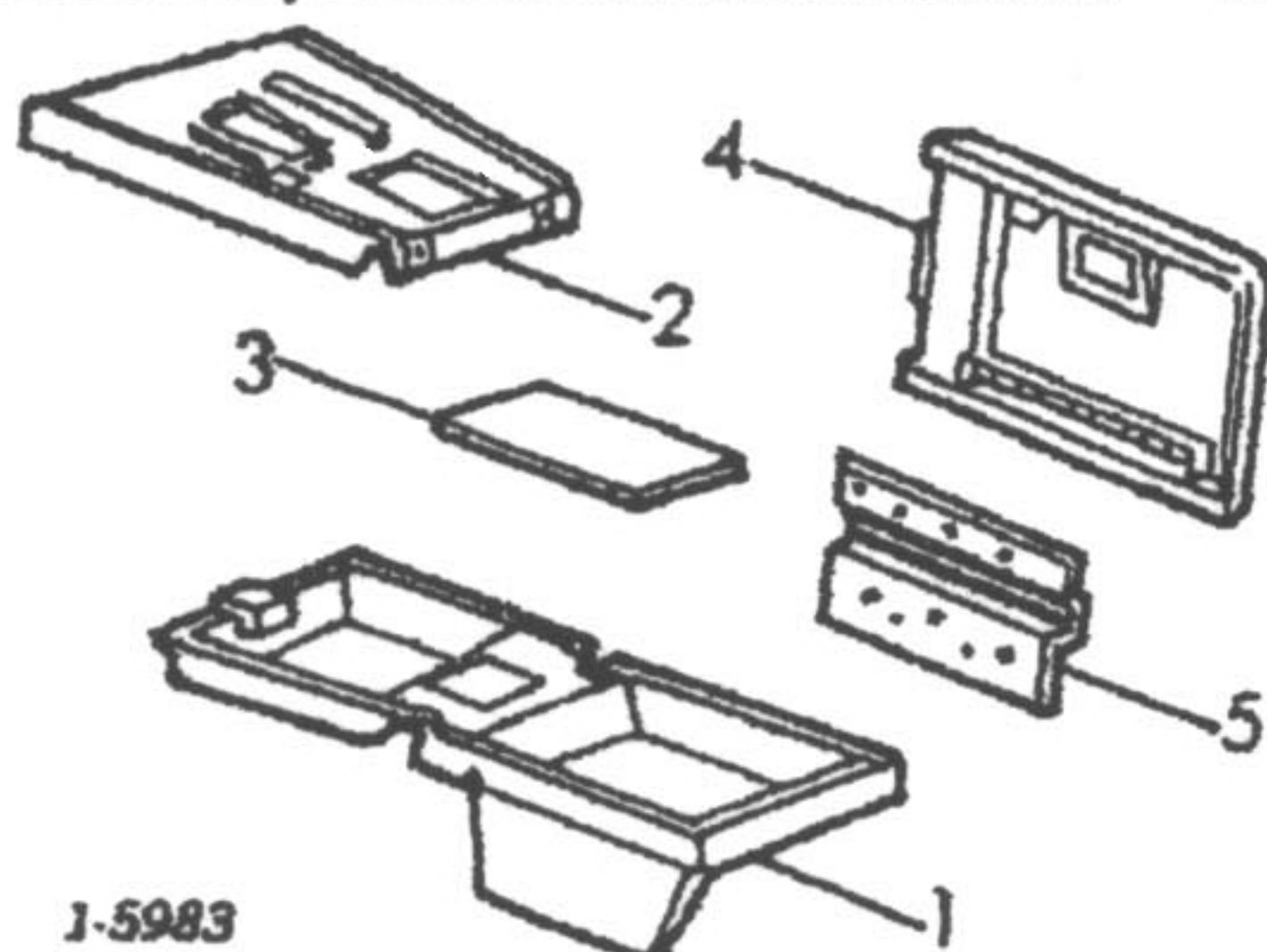
BATTERY

Battery		N.A.	.5	N.A.
Cable, Battery Positive				
Standard				
1984-85				
50"		8912120	1.0	27.75
55"		12013736	1.0	■37.50
1986-90		12068268	1.0	■49.25
1991-92				
Man Trans	91	12106525	1.0	■48.50
	92	12106526	1.0	■17.80
Auto Trans	91	12068268	1.0	■49.25
	92	12106567	1.0	■51.50
1993-96		12106585	1.0	■67.75
ZR-1	90-92	12073841	2.5	■55.50
	93-95	12106586	2.5	■101.00
Cable, Battery Negative				
Standard		12028825	.8	■23.45
ZR-1		12090326	1.0	■20.50

CENTER CONSOLE

1984-89

Refinish Console.....	.6
Refinish Console Plate.....	.4
Refinish Console Cover.....	.3
Refinish Console Door.....	.5
R&I Console Assy	1.5



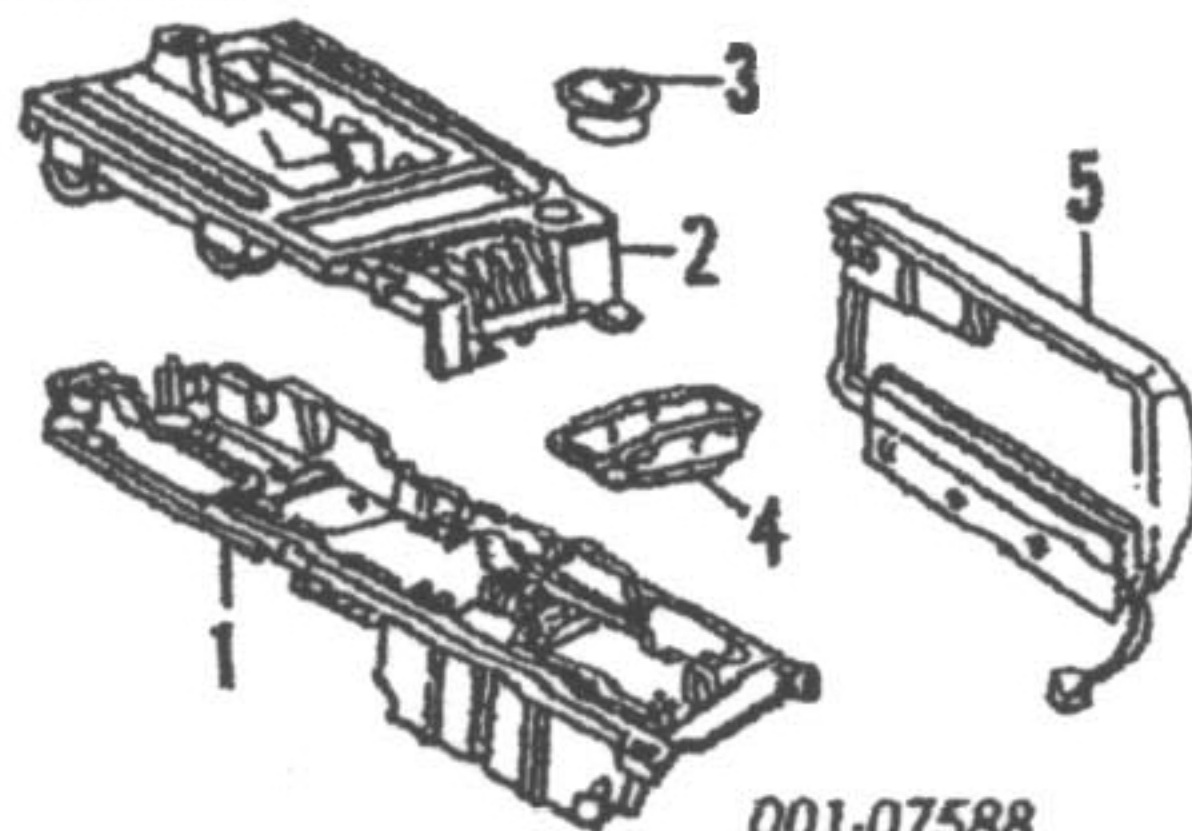
1-5983

1 Console	(P)	10045623	1.8		d62.25
2 Plate, Console	(P)	14089615	.6		121.00
¶Order by Application					
3 Cover, Console	(P)	10064307			18.05
4 Door, Console					
	1984-87 (P)	14046652	#.3		75.25
	1988-89¶	10072157	#.3		147.00
¶Black listed, Order by Application					
(P) Paint to Match					
5 Hinge		14046698	#.3		20.30
#R&R Door & Hinge Complete					
Panel, Console Side	(b)	14081848-7		.2	d131.00
(b) Graphite listed, Order by Application					

1990-96

Refinish Console.....	.6
R&I Console Assy	1.5

NOTE: Refer to Special Cautions Section at the beginning of this vehicle text.



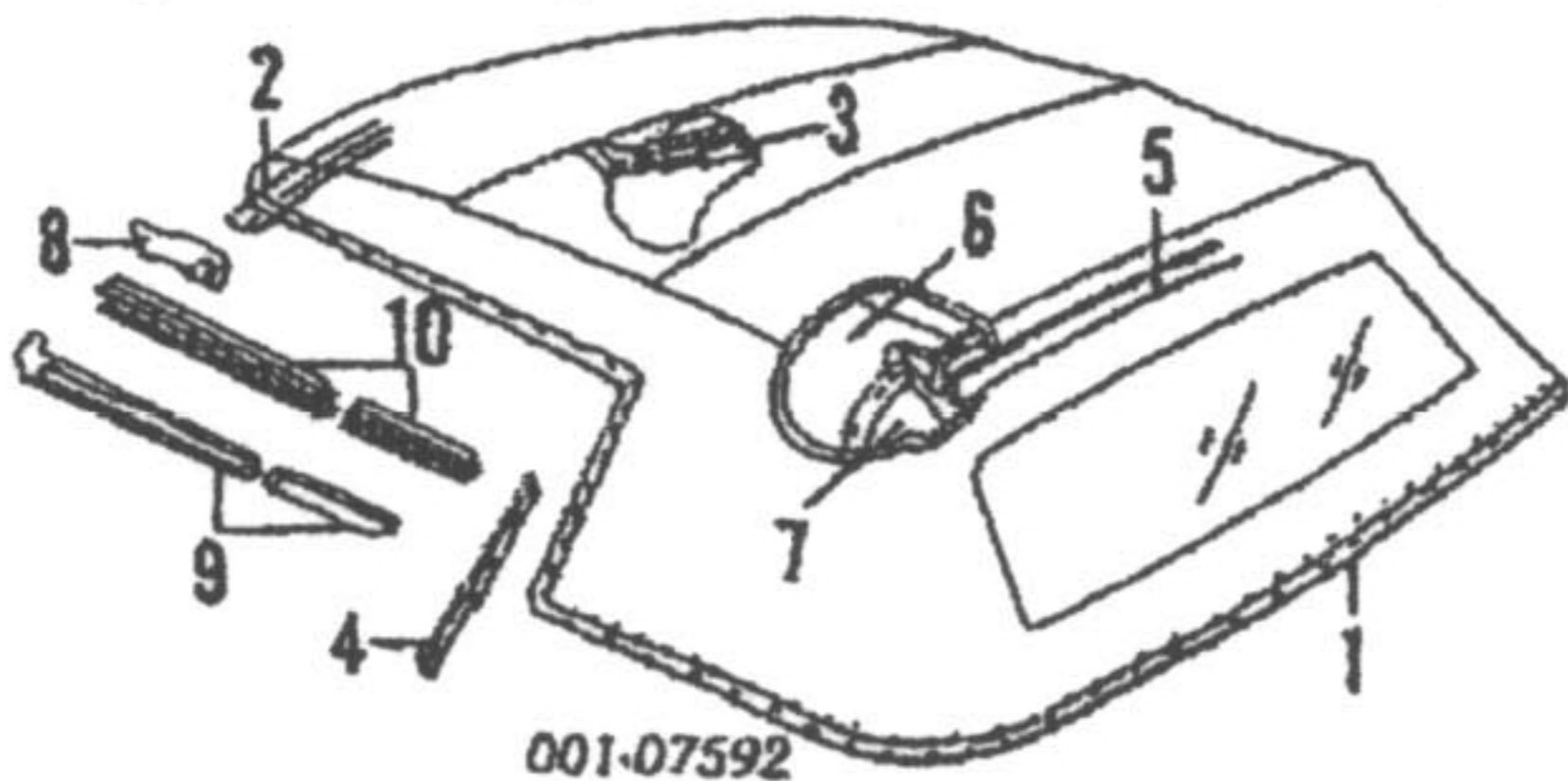
001-07588

1 Console	(P)	10175510	1.8		71.00
(P) Paint to Match					
2 Plate, Console					
Man Trans		90-91 10085920	.5		219.00
		92-93 10199502	.5		219.00
		94 10161884	.5		219.00
Auto Trans		95-96 10267745	.5		219.00
		90-91 10085919	.5		219.00
		92-93 10152827	.5		219.00
		94-96 10265546	.5		219.00
Lid, Ashtray¶		90-91 10086104	#.3		20.25
		92-96 10199767	#.3		43.00
¶Included w/Console Plate					
3 Ashtray		10213297	#.3		7.30
#R&R Lid & Ashtray					
4 Holder, Cup		90-91 10086113	.3		10.20
		92-96 10199504	.3		27.50
5 Lid, Console		10262883	#.3		147.00
Hinge, Lid¶		10085922	#.3		20.30
¶Included w/Console Lid					
#R&R Lid or Hinge					
Panel, Console Side	(a)				
	1990-93	10220078-7			138.00
	1994-96	R 10238466			89.25
		L 10238465			91.50

CONVERTIBLE TOP

FOLDING TOP

Refinish Convertible Top Outside.....	2.4
Add for Underside & Edge.....	.8
R&I Top Assy.....	1.5
R&I Top Stow Lid Assy.....	.4



001-07592

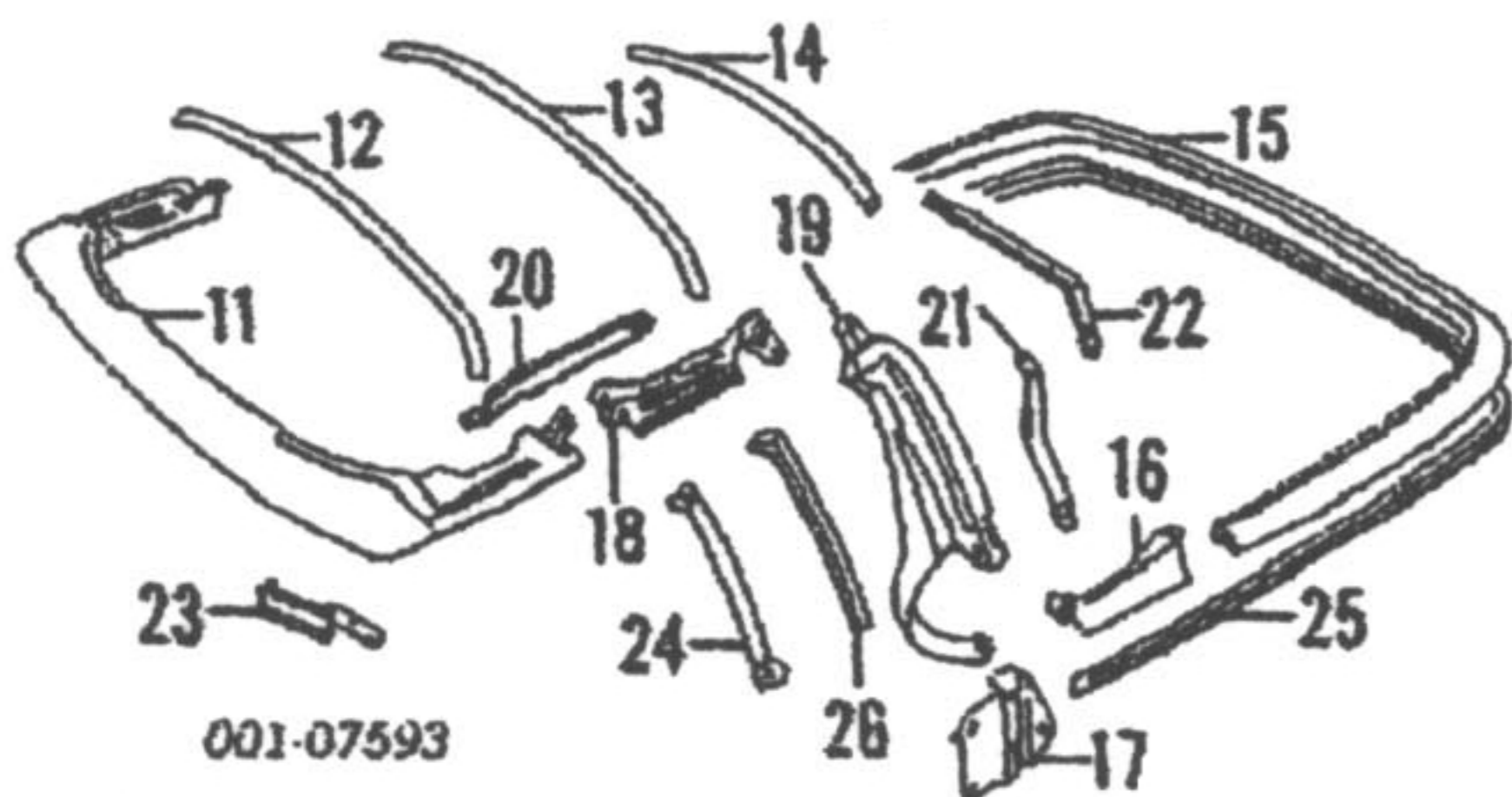
Top Assy, Convertible¶	14100301	4.0	3890.00
1 Cover, Top¶	10198659	5.0	954.00
¶Black listed, Order by Application			
Headliner	10248379	1.0	264.00
Retainer, Cover			
2 Front	10048847	.6	33.50
3 Center (2)	10048848	.4	9.30
4 Rear	10048846-5	#.4	76.25
#R&R Right & Left Complete			
5 Retainer, Rear Headliner	10248370	.4	31.50
6 Pad, Side Stay	10048844	#.2	34.75
7 Pad, Backlite	86-93 10048831	#.2	11.95
	94-96 R 10240744	#.2	27.50
	L 10248381	#.2	27.50

#w/Headliner Removed			
8 Guide, W/Strip	86-91 R 10217224	#.2	14.00
	L 14076541	#.2	14.00
	92-96 10217224-3	#.2	14.00

#w/Weatherstrip Removed			
9 Weatherstrip, Side			
Front	17987732-1	#.3	40.50
Center	10269868-7	#.3	38.75

#R&R Front & Center Complete			
10 Retainer, Weatherstrip			
Front	14092712-1	#.1	51.25
Center	14092714-3	#.1	43.50

#w/Weatherstrip Removed



001-07593

Top, Folding (a)	86-93 14100304	#1.9	2623.00
	94-95 10276983	#1.9	4006.00
	96 10276983	#1.9	4006.00

(a) Less Trim & Headliner

Bow, Top			
11 Number 1	86-93 10048807	#.4	586.00
	94 10276985	#.4	484.00
	95-96 10276985	#.4	484.00
12 Number 2	86-93 10048817	#.3	219.00
	94-96 10240745	#.3	101.00
13 Number 3	86-93 10048818	#.3	233.00
	94-96 10240746	#.3	97.75
14 Number 4	10248371	#.3	146.00
Number 5			

15 Rear	86-93 10048825	#.4	484.00
	94-95 10240345	#.4	282.00
	96 12529214	#.4	484.00
16 Side	86-88 10064338-7	#.3	d113.00
	89-93 10172356-5	#.3	282.00
	94-96 10240342-1	#.3	119.00
	10123006-5	#.5	64.75
17 Bracket, Pivot Rail, Side			
18 Center	86-93 10048812-1	#.4	160.00
	94-96 10240344-3	#.4	151.00
19 Rear	86-93 10107820-19	#.5	326.00
	94-96 10422124-3	#.5	N.A.
20 Link, Bow	10259058-7	#.2	51.75
21 Link, Rear Rail	10273036-5	#.2	31.75
22 Slat, #4 Bow	10248375-6	#.3	12.30

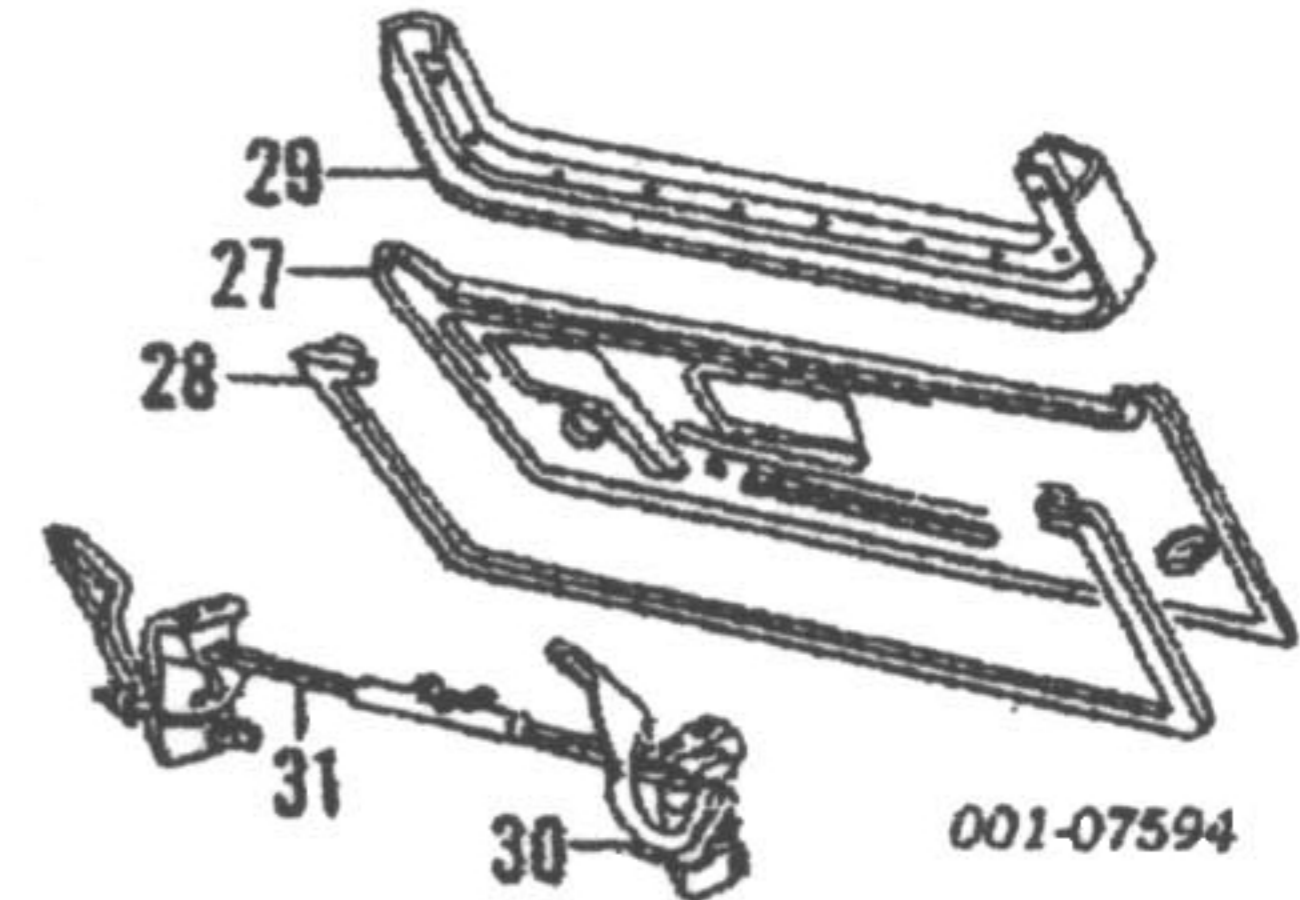
#w/Cover Removed

23 Latch, Front	86-93 10048802-1	.5	107.00
	94-96 10240340-39	.5	102.00

Weatherstrip, Rear

24 Side	R 17984446	.3	43.50
	L 10273003	.3	43.50
25 Lower	14092676	.3	50.25
26 Retainer, Side W/Strip	14092710-09	#.1	52.50

#w/Weatherstrip Removed



001-07594

27 Lid, Top Stow	86-88 14092653	1.0	1055.00
	89-96 10193665	1.0	829.00
28 Weatherstrip, Lid	14092675	.5	114.00
29 Panel, Lid Trim¶	86-88 14092671	.6	d642.00
	89-92 10123061	.6	380.00
	93-96 10281072	.6	347.00

¶Black listed, Order by Application

30 Hinge, Lid	86-92 14092656-5	#.3	372.00
	93-96 10175550-49	#.3	49.50

#w/Top Stow Lid Removed

31 Rod, Hinge Torque			
1986-91	14092663	.3	22.45
1992			
Flat Hinge Arm	14092663	.3	22.45
Square Hinge Arm	10175551	.3	22.90
1993-96	10175551	.3	22.90

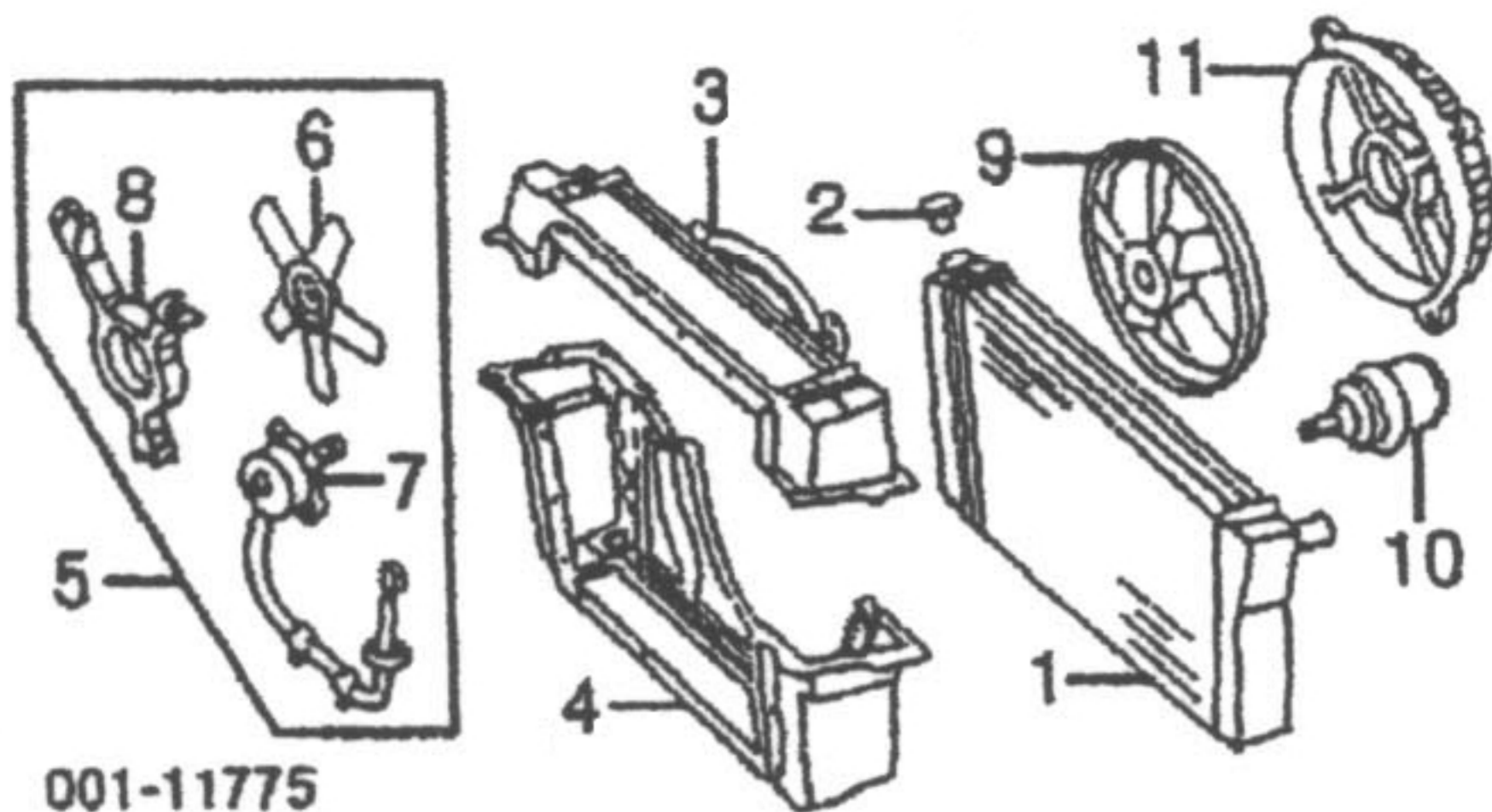
#R&R Both

Latch, Lid			
Front			
Rear	86-88 R 14092744-3	.3	40.50
	L 14092661	.3	d183.00
	89-96 10198616	.3	35.50

Cable, Release			
	86-88 14100336	.3	33.75
	89-92 10107832	.3	22.25
	93-96 10278305	.3	22.25
Solenoid, Release			
	86-91 14092646	.6	102.00
	92-96 10193606	.6	55.75

COOLING COMPONENTS

1984-89

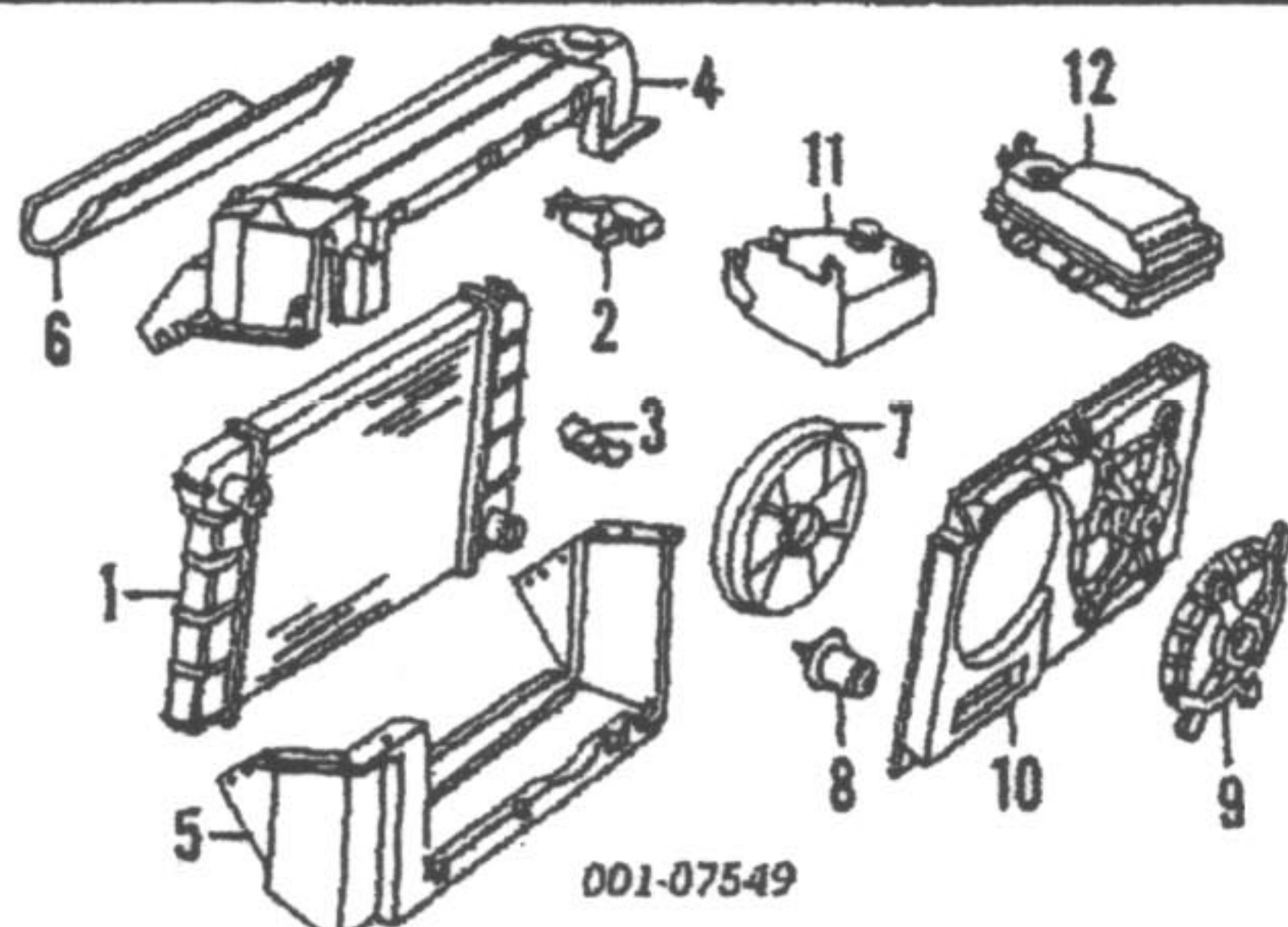


001-11775

1 Radiator				
Std Duty Cooling	84-88	52453612	#2.3	253.00
	89	52460411	#2.3	302.00
Hvy Duty Cooling	84	3055309	#2.3	354.58
	85-89	52453612	#2.3	253.00
	<i>#w/Auto Trans Add .2</i>			
2 Cap. Radiator	84	6410785		■6.25
	85-89	6410962		■14.10
Insulator, Radiator Mount				
Upper/Lower	84-85	14043104-3		d2.25
	86-89	14081868-7		2.35
Support, Radiator				
3 Upper		10065785	.4	44.75
4 Lower		14076564	#.5	55.00
	<i>#w/Radiator Removed</i>			
Hose, Rad Upper	84	14064509	#.6	19.65
	85-89	10135650	#.6	■19.66
Hose, Rad Lower				
Coupe				
1984		14051150	#.7	23.50
1985-86		14078648	#.7	23.50
1987				
Std Duty Susp		14078648	#.7	23.50
Hvy Duty Susp		14092705	#.7	39.00
1988-89		10135651	#.7	■22.62
Convertible	86-87	14092705	#.7	39.00
	88-89	10135651	#.7	■22.62
	<i>#R&R Both .8</i>			
5 Fan Assy, Cooling Frt		10045629	#1.2	211.00
6 Fan, Cooling¶		10074159	#1.2	■38.60
7 Motor, Cooling¶		10074158	#1.2	■336.75
8 Brkt, Cooling Fan¶		14089160	#1.2	17.90
	¶Included w/Cooling Front Fan Assy			
	<i>#R&R Complete</i>			
Fan, Cooling Rear				
9 Fan	84	22036292	#.8	47.04
	85-89	22098793	#.8	■47.04
10 Motor	84	22074969	#.8	d106.00
	85-89	22137318	#.8	■106.46
11 Shroud		22040195	#.8	59.00
	<i>#R&R Complete, R&R Both 1.8</i>			
Reservoir, Coolant		10239666	.4	11.40
Cap, Reservoir		10239665		2.90
Pump, Water		12522035	m 2.4	■175.49
Pulley, Pump	84	14055117	#.8	d33.50
	85-87	10105209	#.8	31.75
	88-89	10105209	#.8	31.75
	<i>#Included in R&R Water Pump</i>			
Dampener, Pulley	88-89	10105252		31.50
Belt, Drive	84	14055157	.5	35.88
	85	14092306	.5	■37.18
	86-87	14092308	.5	■30.85
	88-89	24505041	.5	■35.73

COOLING COMPONENTS

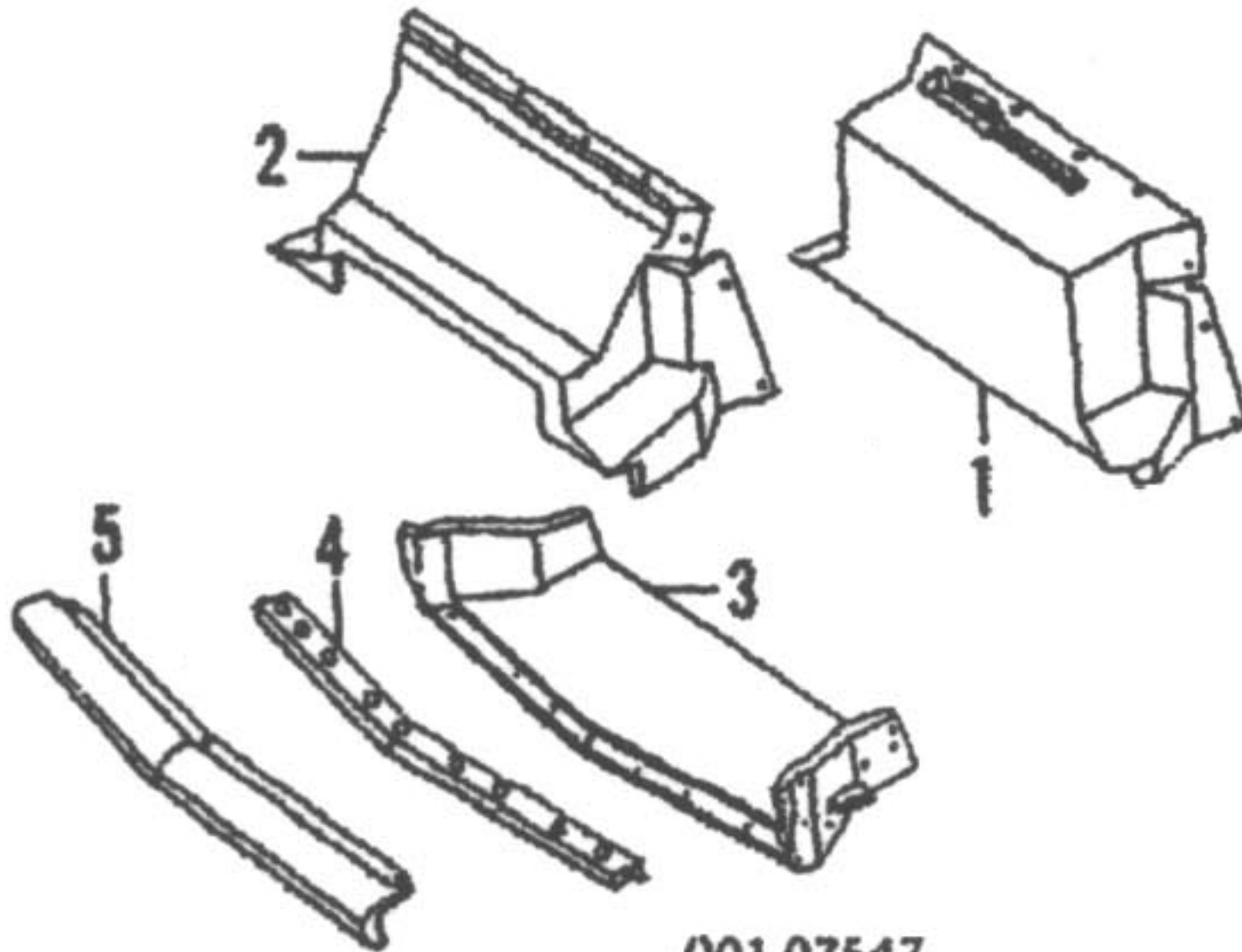
1990-96



1 Radiator			
1990-91			
Man Trans	52460411	#2.5	302.00
Auto Trans	52461766	#2.5	333.00
1992-96			
Code YC	52460411	#2.5	302.00
Code YD, YT	52461766	#2.5	333.00
<i>#w/Auto Trans Add .2</i>			
Cap, Radiator	90 6410962		■14.10
	91-96 6410785		■6.25
Insulator, Radiator Mount			
2 Upper			
Standard	90-93 R 10086303		4.30
	L 10082902		2.35
	94-96 10219098-7		4.40
ZR-1	90-93 R 10082903		3.40
	L 10082902		2.35
	94-95 10219098-7		4.40
3 Lower			
	90-93 R 10082904		2.35
	L 10082905		3.40
	94-96 10219102-1		4.40
Support, Radiator			
4 Upper			
	90-94 10265847	.4	53.50
	95-96 10265847	.4	53.50
5 Lower			
	10219096	#.5	50.50
<i>#w/Radiator Removed</i>			
Panel, Mount	90 14104982		21.10
Bracket, Panel	90 14104984-3		7.35
6 Deflector, Air			
	90-91 14104753		8.95
	92-96 10204532		8.95
Hose, Rad Upper			
Standard			
	90-91 10135652	#.6	■11.80
	92-94 10258277	#.6	■18.41
	95 10278338	#.6	■12.90
	96 10278338	#.6	■12.90
ZR-1			
At Radiator	10135659	#.6	■12.90
At Engine	10135658	#.6	■6.66
Hose, Rad Lower			
Standard			
	90-91 10135653	#.7	■24.54
	92-96 10257252	#.7	■22.41
ZR-1			
At Radiator	10135660	#.7	■4.47
At Thermostat	10157990	#.7	■14.35
<i>#R&R Both .8</i>			
Hose, By-Pass (ZR-1)	10135661	.6	10.65
Pipe, Coolant (ZR-1)			
Upper			
	14104460	#.4	■30.42
Lower w/Thermostat			
	14104599	#.4	■326.02
<i>#w/Radiator Hose Removed</i>			
7 Fan, Cooling (2)			
	22098785	#.8	■47.04
8 Motor, Fan (2)			
	22104439	#.8	■89.14
9 Bracket, Motor (2)			
	22074984	#.8	34.75
<i>#R&R Right Fan Complete, R&R Left Add .7, R&R Both 2.0</i>			
10 Shroud, Cooling Fan			
	10157958	#2.0	62.00
<i>#Includes R&R Both Fans, Motors & Brackets Complete</i>			
11 Reservoir, Coolant			
	10239666	.4	11.40
Cap, Reservoir			
	10239665		2.90
12 Tank, Coolant Surge			
Pump, Water			
Standard			
	90-91 12522035	m 2.4	■175.49
	92 12529560	m 2.4	■184.69
	93-96 12523499	m 2.4	■242.00
ZR-1			
	10159599	m 1.9	■511.00
Pulley, Pump			
Standard			
	1990-91 10105209	#.8	31.75
	1992 10186174	#.8	31.75
	1993		
	Flat Pulley 10105355	#.8	32.00
	Grooved Pulley 10186174	#.8	31.75
	1994-96 10105355	#.8	32.00
	ZR-1 10067478	#1.0	31.75
<i>#Included in R&R Water Pump</i>			
Dampener, Pulley			
	90-91 10105252		31.50
Belt, Drive			
Standard			
	1990-91 24505041	.5	■35.73
	1992 10186198	.5	■42.90
	1993		
	Dual Side Grooves 10186198	.5	■42.90
	Single Side Groove 10230259	.5	■30.42
	1994-96 10230259	.5	■30.42
	ZR-1 10067477	.5	■37.18

COOLING DUCTS

1984-89



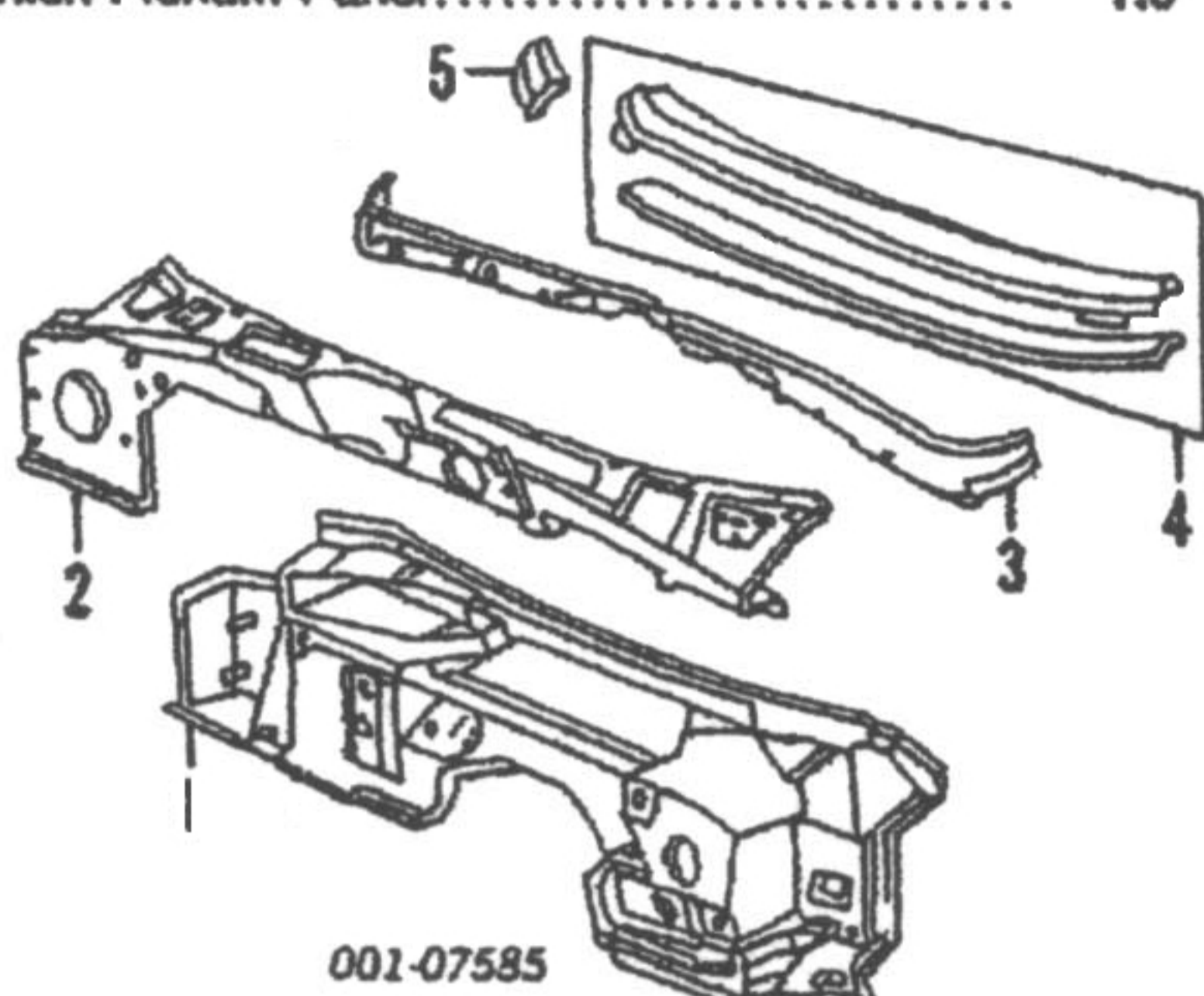
001 07547

Baffle, Air				
	Upper			
1	1984	14049232	1.0	d51.50
2	1985-89	14078651	1.0	53.50
3	Lower	84 14030214	#.3	53.50
		85-89 14078642	#.3	53.50
	#w/Lower Radiator Support Removed			
	Sensor, Air Temp ¶	16040991	.4	30.25
	¶Order by Application			
4	Retainer, Baffle	14043167		3.20
5	Panel, Mount	14058670	.3	14.20
	Bracket, Panel	14058300-299		7.35

COWL & DASH

1984-89

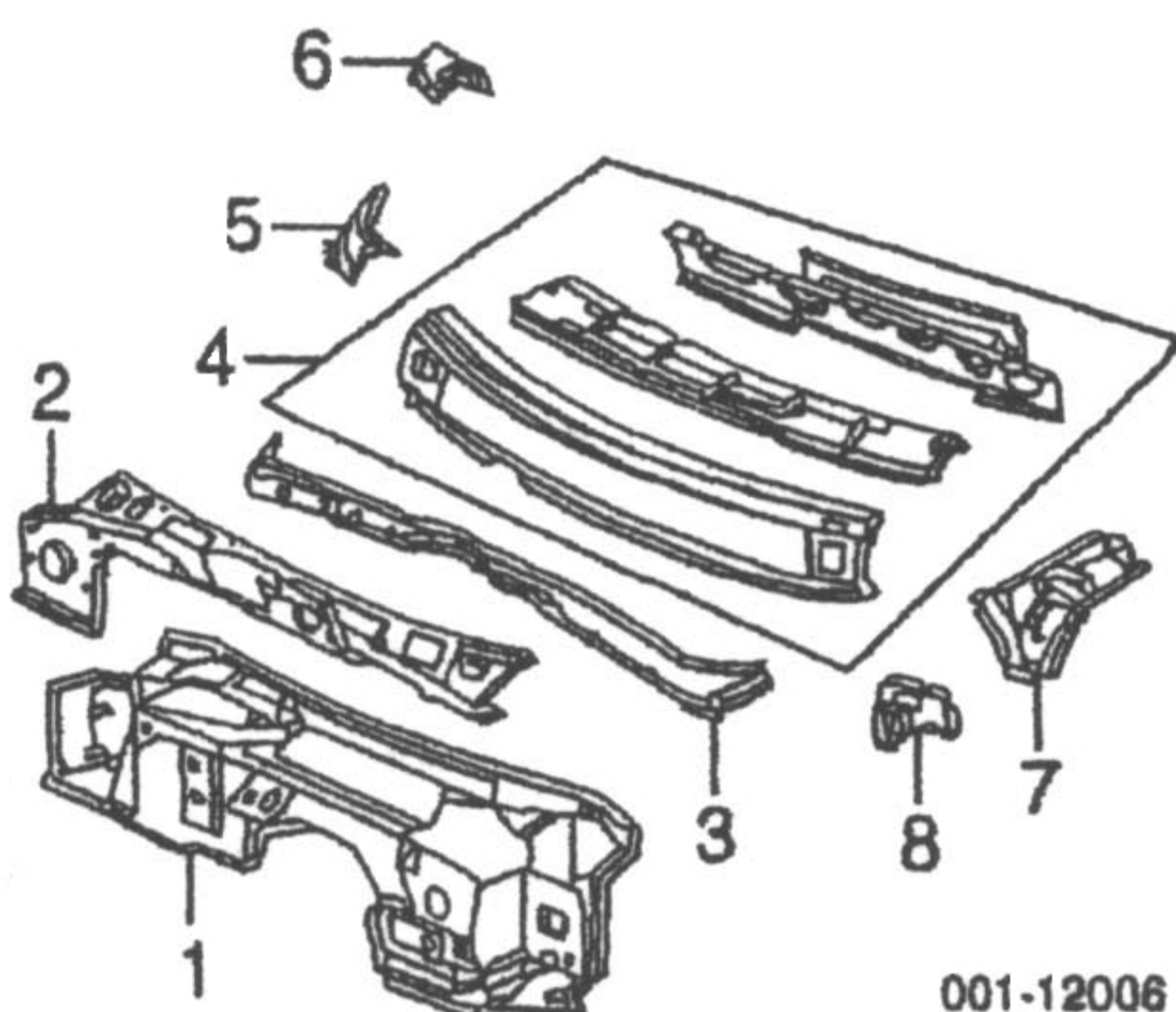
Refinish Dash Panel	1.0
Refinish Plenum Panel.....	1.0



1 Panel, Dash		10234812	216.00
Insulator, Dash		14104654	187.00
2 Panel, Plenum	84-88	10234814	174.00
	89	10234814	174.00
3 Seal, Plenum	84-88	14046741	39.75
	89	14104361	39.75
Screen, Plenum		14047584-3	10.90
4 Frame, W/S Lower		10048794	104.00
5 Frame, Lower Corner		14069808-7	d31.25

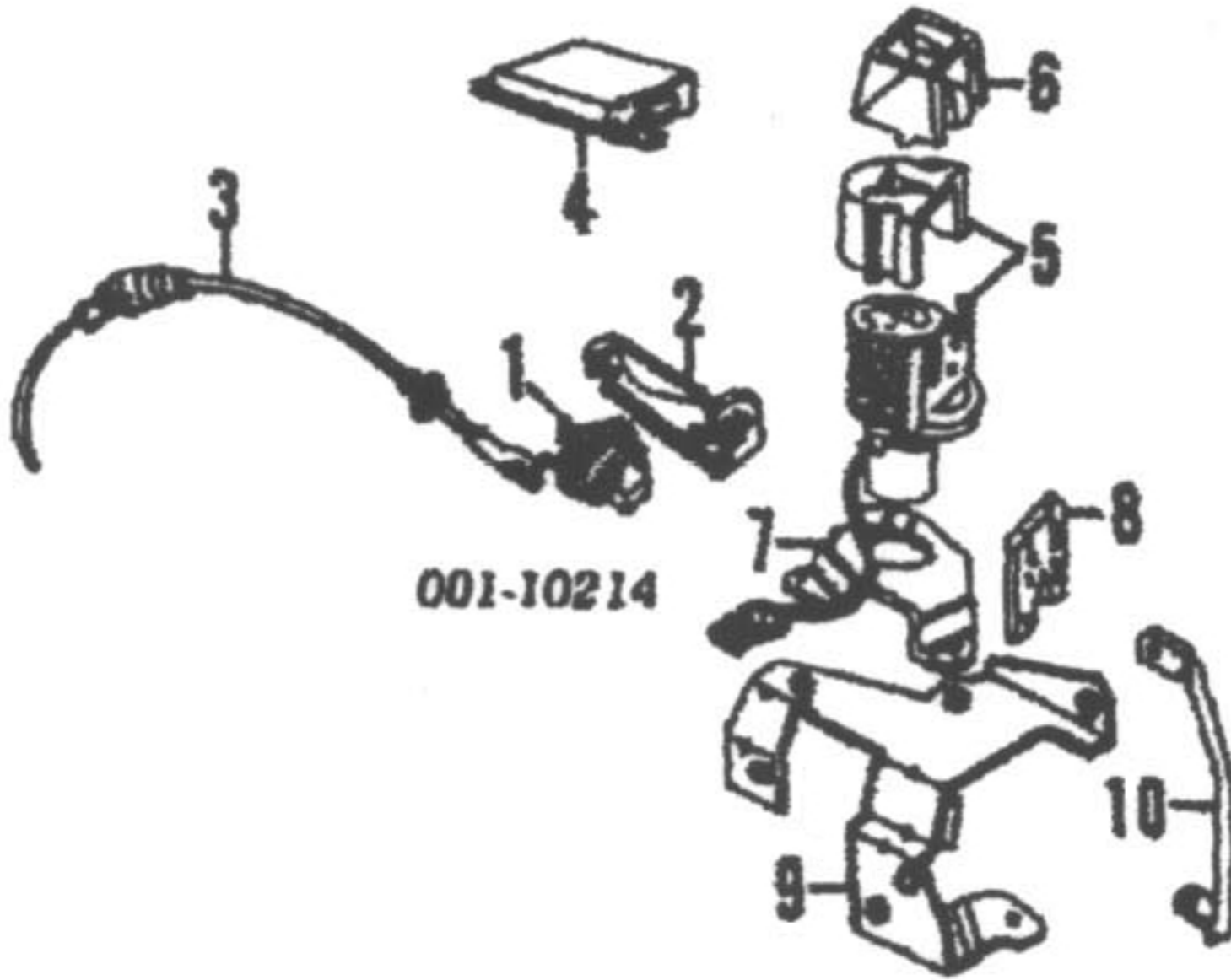
1990-96

Refinish Dash Panel	1.0
Refinish Plenum Panel.....	1.0



1 Panel, Dash		10234812	216.00
Insulator, Dash		10224033	189.00
2 Panel, Plenum	90-91	10174976	174.00
	92-96	10234814	174.00
3 Seal, Plenum		14104361	39.75
Screen, Plenum		14047584-3	10.90
Frame, W/S Lower			
4 Outer	90-93	10086008	d0.00
	94-96	12512652	209.00
Frame, Lower Corner			
Outer			
5	1990-91	R 10085998	d27.43
		L 10085997	d21.06
	1992-93		
Right		10085998	d27.43
Left-Serviced w/Hinge Pillar			
See Rocker/Pillars/Floor Section			
1994-96-Serviced w/Hinge Pillar			
See Rocker/Pillars/Floor Section			
6 Inner			
1990			
Right		10085996	24.10
Left-Serviced w/Hinge Pillar			
See Rocker/Pillars/Floor Section			
1991-96-Serviced w/Hinge Pillar			
See Rocker/Pillars/Floor Section			
Reinf, Lower Frame			
Corner			
7 Front			
1990-91		R 10137760	59.00
		L 10086007	d9.70
1992-96-Serviced w/Hinge Pillar			
See Rocker/Pillars/Floor Section			
8 Rear			
R		10217340	32.50
L		10137761	55.50

CRUISE CONTROL SYSTEM



1 Servo, Cruise	84	25074659	m	1.6	194.00
	85-89	25074628	m	1.6	233.00
	90-96	25074627	m	1.6	204.00
2 Bracket, Servo		10098905	m		12.85
3 Cable, Cruise					
1984		14056630	m	.5	d14.85
1985-88		14091238	m	.5	27.50
1989		10085262	m	.5	25.75
1990-91		10208716	m	.5	48.50
1992		10215860	m	.5	49.25
1993					
Standard		10215860	m	.5	49.25
ZR-1		10174495	m	.5	34.50
1994					
Standard		10217789	m	.5	34.75
ZR-1		10174495	m	.5	34.50
1995					
Standard		10241099	m	.5	14.50
ZR-1		10241101	m	.5	14.15
1996		10241760	m	.5	20.80
4 Module, Control	90-92	25140992	m	.6	147.00
	93-96	25140723	m	.6	157.00
5 Adjuster, Speed Cont	92-96	12554673	m	#.6	476.00
6 Cover, Adjuster					
Standard		10211305	m	#.6	10.20
ZR-1		10209540	m	#.6	10.20
7 Brkt, Adjuster					
Standard	92-93	10212361	m	#.6	11.00
	94-96	12553403	m	#.6	7.70
ZR-1		10143548	m	#.6	11.00
8 Shield, Adjuster		10192285	m	#.6	.98
#R&R Complete					
9 Mount, Adjuster					
Standard		10212361	m	#.2	11.00
ZR-1		10177905	m	#.2	19.00
10 Brace, Adjuster		10177907	m	#.2	8.20
#R&R Complete, w/ASR Adjuster Removed					

ENGINE

STANDARD

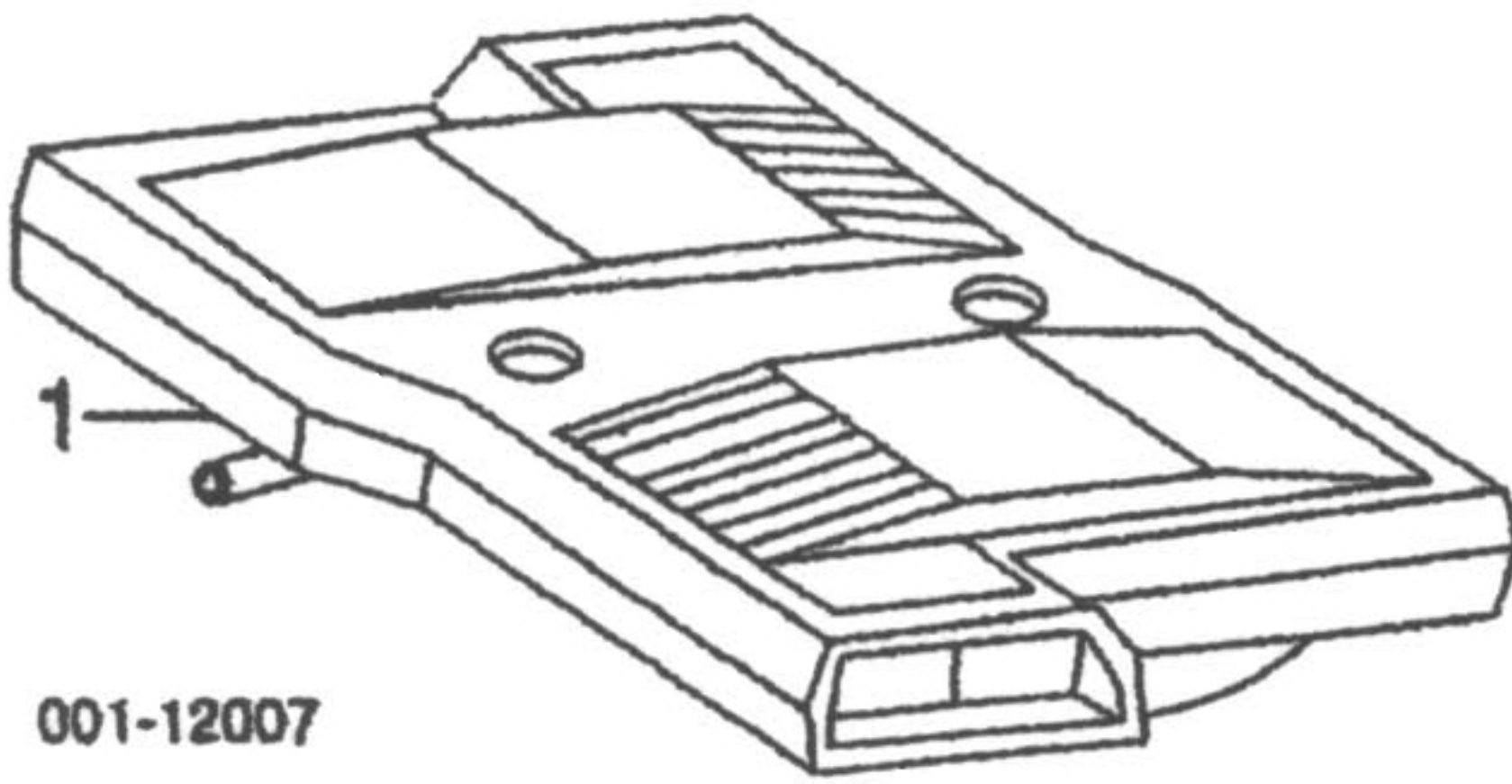
R&I Engine Assy			
1984-85.....		m 7.5	
1986-96			
Coupe.....		m 11.0	
Convertible.....		m 11.7	
Balancer, Harmonic			
1984-91	12551537	m #1.1	93.50
<i>#Includes R&R Crankshaft Pulley</i>			
1992-95	10128489	m 1.8	106.00
1996			
LT1	10128489	m 1.8	106.00
LT4	12551486	m 1.8	242.00
Pulley, Crankshaft			
1984-91	14055116	m .8	45.75
1992-96-Serviced w/Harmonic Balancer			
Hub, Balancer	92-95 12553250	m #1.8	34.25
	96 12550097	m #1.8	36.75
<i>#Includes R&R Harmonic Balancer</i>			
Cover, Timing	84-85 10243967	m 3.1	30.25
	86-91 10243967	m #4.8	30.25
<i>#Includes R&R Oil Pan, w/Convertible Add .4</i>			
	92-94 12551636	m #6.3	69.25
	95 12552426	m #6.3	64.75
	96 12552427	m #6.3	39.25
<i>#Includes R&R Oil Pan</i>			
Pan, Oil			
1984-85	14082350	m #2.2	130.00
1986-90	10055765	m #2.2	132.00
1991	10108584	m #2.2	132.00
<i>#w/Convertible Add .5</i>			
1992			
w/Gasket	12528503	m 2.4	132.00
w/o Gasket	12528503	m 2.4	132.00
1993-95¶	12528503	m 2.4	132.00
1996			
LT1¶	12528503	m 2.4	132.00
LT4	N.A.	m 2.4	N.A.
<i>¶Includes Oil Pan Gasket</i>			
Gasket, Oil Pan	84-85 14079398	m	16.10
	86-92 14088505	m	37.50
	93-96 10108676	m	37.50
Pump, Fuel-See Fuel Tank Section			

ZR-1

R&I Engine Assy.....				m 10.5
Pulley, Crankshaft	90-92	10153517	m .8	224.00
	93-95	10225133	m .8	225.00
Cover, Timing	90-92	10122126	m	102.00
	93-95	10187756	m	139.00
Pan, Oil				
1990		10122165	m 2.7	959.00
1991-92		10153593	m 2.7	383.00
1993		10225138	m 2.7	638.00
1994-95		10225138	m 2.7	638.00
Gasket, Oil Pan	90-92	10106193	m	34.00
	93-95	10187750	m	71.25
Pump, Fuel-See Fuel Tank Section				

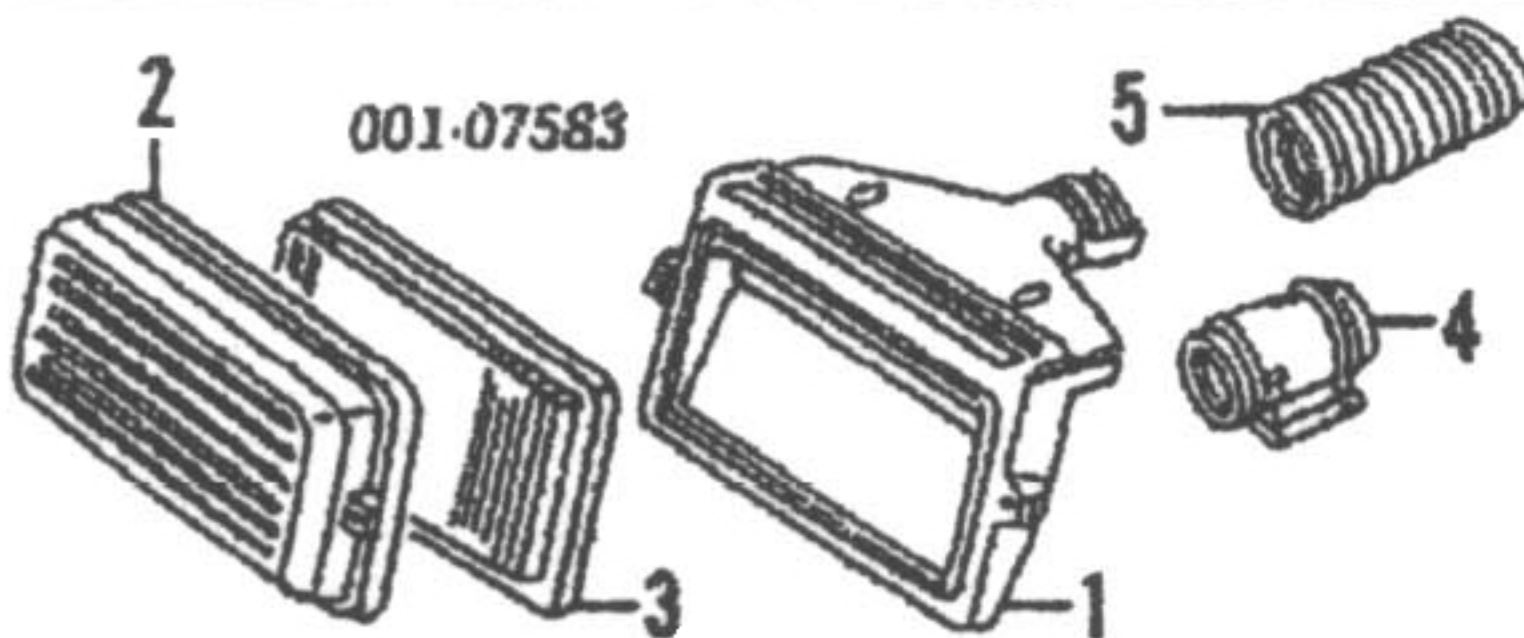
AIR CLEANER

1984



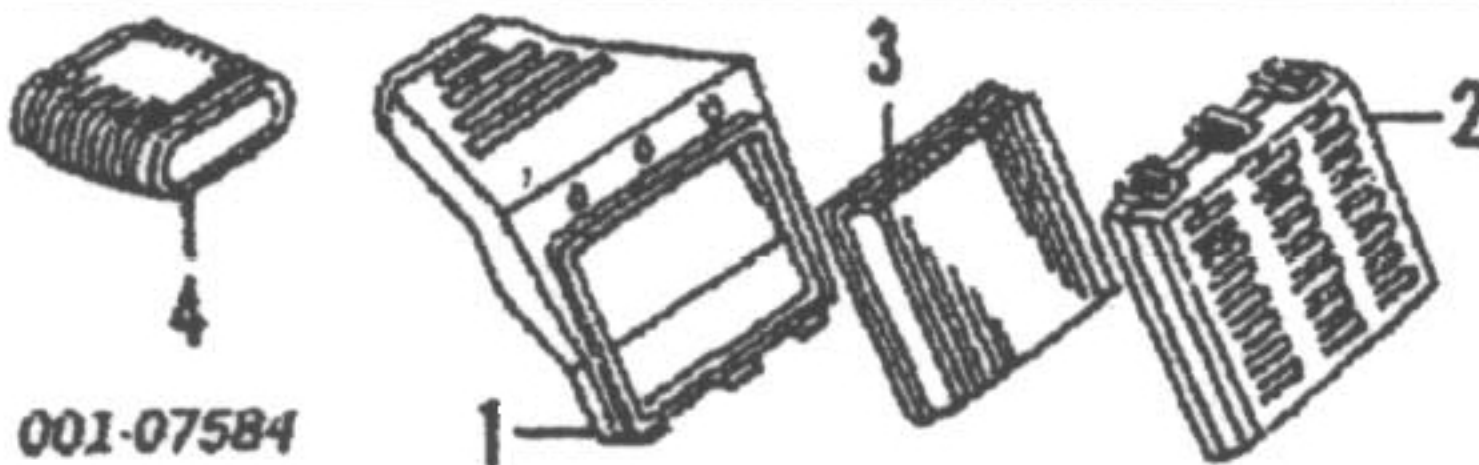
1 Cleaner, Air	25041409	.3	1166.32
Element, Cleaner	25042383	.3	26.00
<i> Included w/Air Cleaner</i>			

1985-89



1 Duct, Air Inlet	14084404	#.3	46.92
2 Cover, Inlet	14081889	#.3	28.30
3 Element, Cleaner	25042562	#.3	11.48
<i>#R&R Complete</i>			
4 Sensor, Air Flow	14081243	m .6	544.00
5 Tube, Air Inlet	14081891	.3	7.13

1990-96



1 Duct, Air Inlet			
Standard			
w/Diagnostic System	12553505	#.3	52.78
w/o Diagnostic System	14104555	#.3	85.00
ZR-1	14104555	#.3	85.00
Resonator, Air Cleaner			
Standard	92-96 10205088	#.3	67.58
2 Cover, Air Cleaner			
Standard	84-91 12552873	#.3	31.62
	92-93 10186111	#.3	74.47
	94-96 12552873	#.3	31.62
ZR-1	90-92 12552873	#.3	31.62
	93-95 10214044	#.3	d38.25
3 Element, Cleaner	25096933	#.3	22.75
<i>#R&R Complete</i>			
4 Duct, Intake			
Standard	84-91 10108444	.3	36.55
	92-93 25098736	.3	144.83
	94-95 12553505	.3	52.78
	96 N.A.	.3	N.A.
ZR-1	14104557	.3	24.48
Sensor, Mass Air Flow	25008308	m .6	370.00

EMISSION SYSTEM

Pump, AIR				
Standard				
1984	7845380	m	.7	220.79
1985	7846432	m	.7	181.13
1986	7834915	m	.7	220.79
1987-91	7849157	m	.7	220.79
1992	10090521	m	.7	180.34
1993				
w/Diagnostic System	12554580	m	.7	188.00
w/o Diagnostic System	10090521	m	.7	180.34
1994	24505066	m	.7	169.04
1995-96	24505066	m	.7	169.04
ZR-1	10090521	m	.7	180.34
Pulley, AIR Pump				
1984	14063753	m	.3	d9.90
1985	14084370	m	.3	13.20
1986	14087521	m	.3	15.15
1987-91	14101167	m	.3	11.90
1992-96-Serviced w/AIR Pump				
Belt, Drive-See Cooling Section				
Module, Control (ECM)[¶] (a)	1226870	m	.9	130.97
<i>¶Remanufactured Part. Contact Dealer for Core Charge & Exchange Information.</i>				
<i>(a) Order by Application</i>				
Canister, Vapor	84	17087180	m	#.8 ■62.75
	85	17087180	m	#.8 ■62.75
	86	17087180	m	#.8 ■62.75
	87-90	17113150	m	#.8 ■80.25
	91-95	17090139	m	#.8 ■52.75
	96	N.A.	m	#.8 N.A.
Bracket, Canister	84-90	10105270	m	#.8 37.75
	91-96	10234809	m	#.8 14.15
#R&R Complete				
Solenoid, Canister[¶]		1997153	m	.3 23.30
<i>¶Order by Application</i>				
Cover, Solenoid	84-90	14066503	m	d1.20

EXHAUST

Manifold, Exhaust Standard

84-85 R	10046140	m	3.8	d446.00	
L	10046139	m	1.4	d446.00	
86 R	14087512	m	3.8	430.00	
L	14087511	m	1.4	430.00	
87-91 R	10055734	m	3.8	430.00	
L	14087511	m	1.4	430.00	
92-95 R	12554231	m	3.0	305.00	
L	12554231	m	2.8	305.00	
96 R	12554232	m	3.0	275.00	
L	12554232	m	2.8	275.00	
ZR-1	90-91 R	25127592	m	2.4	2218.00
	L	25127591	m	2.2	2218.00
	92 R	25127592	m	4.0	2218.00
	L	25127591	m	4.5	2218.00
	93-95 R	25143612	m	4.0	681.00
	L	25129492	m	4.5	1086.00

Pipe, Crossover Standard

Front	84-85	14076186		1.3	d206.00
	86-91	10097685		1.3	559.00
Rear					
1984		14060154		1.3	132.00
1985		14087616		1.3	99.75
1986-91		10094806		1.3	157.00
1992-95 (w/Resonator)		12523238		1.3	601.00
1996		N.A.		1.3	N.A.
ZR-1 (w/Resonator)	90	10147974		1.3	1030.00
	91	12506866		1.3	990.00
	92	12509995		1.3	1030.00
	93-95	12518753		1.3	463.00

Converter, Catalytic Standard

1984		25056722		#1.3	562.00
1985		25056723		#1.3	548.00
1986-91		25056993		#1.3	380.00
1992-96					
Right (a)		25153070		#1.3	576.00
Left		25153077		#1.3	654.00

ZR-1

1990-91-Serviced w/Manifolds					
1992					
Type 1-Serviced w/Manifolds					
Type 2		25129503-2		#1.3	887.00
1993-95		25129503-2		#1.3	887.00

#w/Dual Converters Right Add 2.2, Left Add 1.7

Muffler w/Tailpipe (a)

Standard					
w/Exhaust Pipe		10255648		#1.0	936.00
w/o Exhaust Pipe		14060156-5		#1.0	227.00
ZR-1					
w/Exhaust Pipe		10165323		#1.0	1352.00
w/o Exhaust Pipe	R	10147975		#1.0	254.00
	L	12511524		#1.0	254.00

(a) Order by Application

#R&R Both 1.8

ENGINE MOUNTS

STANDARD

Mount, Eng	84-91 R	17984499	#1.0	47.75
	L	17984499	#.8	47.75
	#R&R Both 1.5			
	92-96 R	10157980	#1.5	78.25
	L	10157980	#1.5	78.25
	#R&R Both 2.2			
Bracket, Mount	92-96 R	14104624	#.2	24.05
	L	14104623	#.2	22.80
Brace, Mount Brkt	92-96	14104626-5	#.2	37.50
	#w/Mount Removed			

ZR-1

Mount, Eng	R	14104622	#4.4	63.25
	L	14104622	#4.8	63.25
	#R&R Both 7.4			
Bracket, Mount	R	14104624	#.2	24.05
	L	14104623	#.2	22.80
Brace, Mount Brkt		14104626-5	#.2	37.50
	#w/Mount Removed			

OIL COOLER

**Cooler, Oil
Standard**

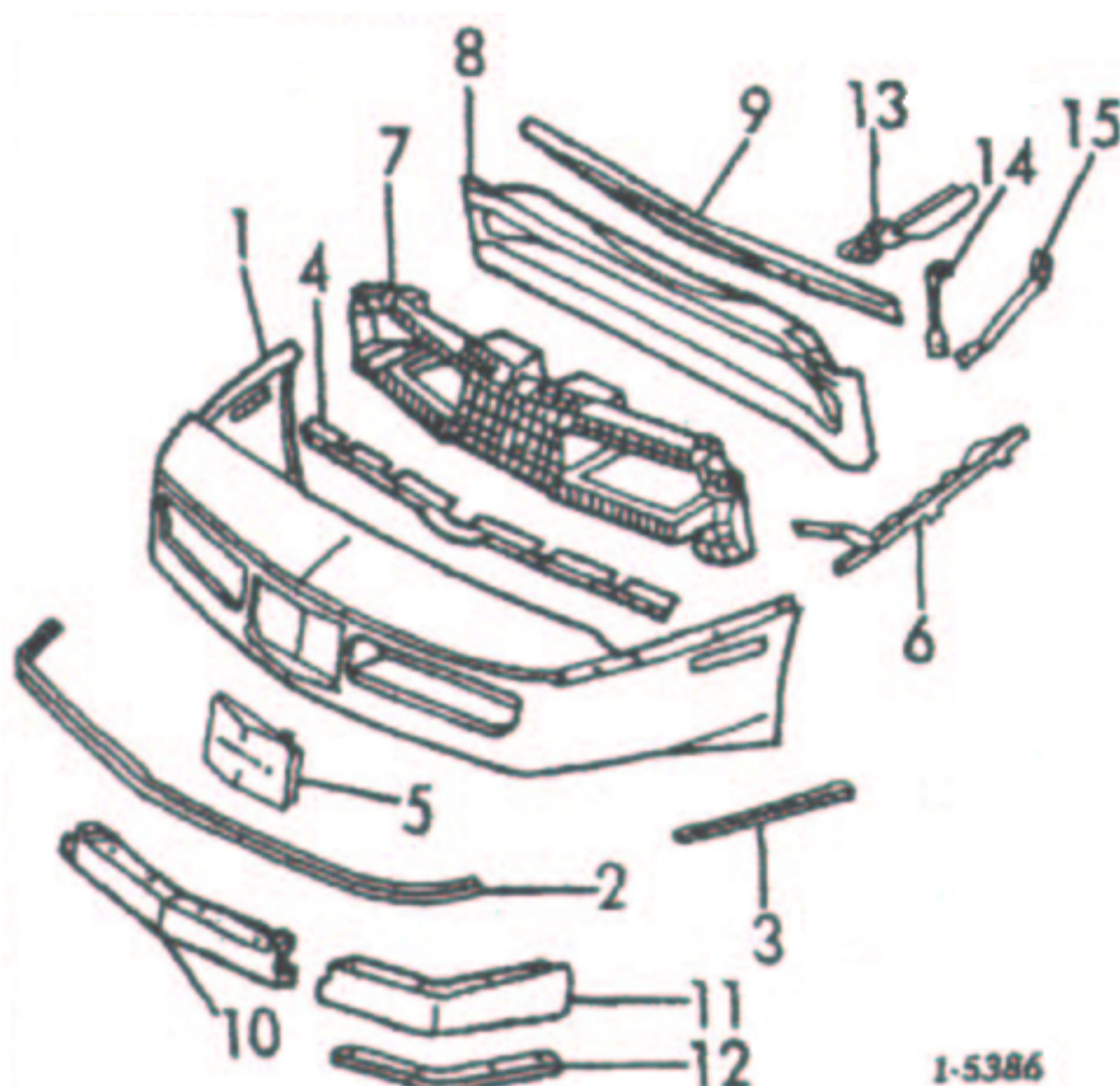
84	12364237	m	2.0	N.A.
85-91	14084369	m	2.0	258.00
90-93	14104653	m	2.0	301.00
94-95	10219643	m	2.0	301.00

ZR-1

FRONT BUMPER

1984-90

Refinish Cover.....	2.7
Refinish Nameplate.....	.5
R&I Bumper Assy.....	#5.0
<i>#Includes R&I Hood Assy</i>	
O/H Bumper Assy (Includes R&I).....	#8.0
<i>#Includes R&I Hood Assy & R&R Side Marker & Park/Signal Lamps</i>	
Add to O/H Bumper Assy To Drill/Transl Mtg Studs	#.4
<i>#To be used when Replacing Impact Bar</i>	



1 Cover, Bumper (P)	14030201	#6.0	399.00
<i>(P) Paint to Match</i>			
<i>#Includes R&I Hood Assy & R&R Side Marker & Park/Turn Signal Lamps</i>			
Moulding, Cover			
2 Center			
Black	14043087	#.3	50.00
White¶	10123017	#.3	50.00
<i>#w/Bumper Assy Removed</i>			
3 Outer			
Black	14043090-89	.3	20.40
White¶	R 10123016	.3	44.25
	L 10123015	.3	d42.50
<i>¶Anniversary Edition-1988</i>			
Retainer, Cover			
4 Center	14046637		15.15
Outer	10149282		8.85
5 Nameplate, License (P)			
"CORVETTE"	14049269	.2	33.50
<i>(P) Paint to Match</i>			
6 Reinf, Cover Outer	10149204-3		25.00
7 Absorber, Impact	16500755	IOH	137.25
8 Bar, Impact¶	10135948	IOH	280.00
<i>¶Requires Use of 2 Piece Cover Center Reinforcement</i>			
Stud, Bar (2/Side)	14060237	IOH	3.30
Bracket, Cover Reinf (Center)			
Outer	84-88 14049078	IOH	5.04
Inner¶	84-88 14064558	IOH	5.10
Brace, Cover Otr¶	84-88 14076526-5	IOH	5.41
<i>¶Use w/One Piece Cover Center Reinforcement</i>			
9 Reinf, Cover Center			
1 Piece	14049010		28.00
2 Piece	10135950-49		19.19
Deflector, Air¶			
10 Center	10107824	#.3	32.25
11 End	14043136-5	#.2	21.95
<i>¶Order by Application</i>			
<i>#R&R Complete .4</i>			
12 Retainer, Deflector	14043166	.2	6.40
Bar, Skid Plate Tie	90 10143525	IOH	365.00
13 Plate, Impact Bar Skid	14078685	IOH	26.25
14 Support, Skid	14060231	IOH	12.79
15 Extension, Skid Plate			
1984-89	R 14078644	IOH	18.70
	L 14078643	IOH	15.15

FRONT BUMPER

1991-96

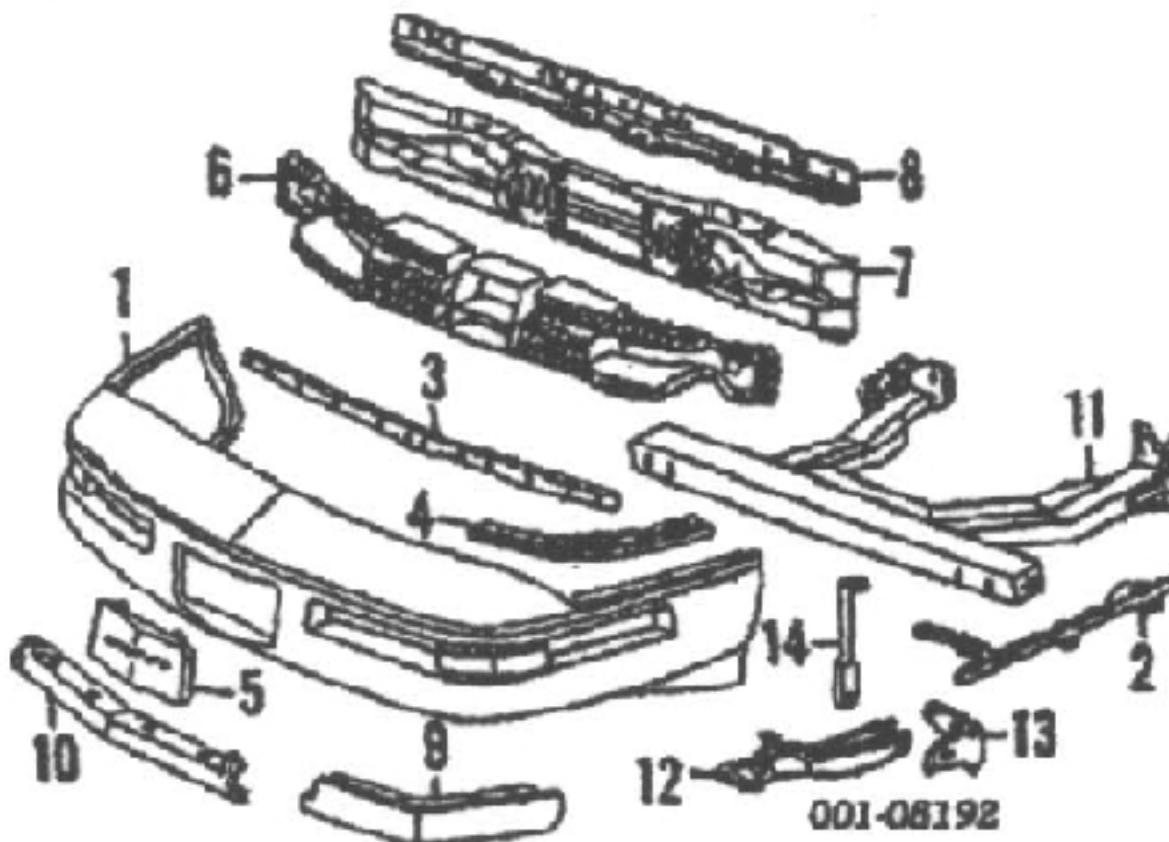
Refinish Cover.....	2.7
Refinish Nameplate.....	.5
R&I Bumper Assy.....	#5.0
<i>#Includes R&I Hood Assy</i>	
O/H Bumper Assy (Includes R&I).....	#8.0

#Includes R&I Hood Assy & R&R Side Marker & Park/Signal Lamps

Add to O/H Bumper Assy
To Drill/Trans Mtg Studs..... #.4

#To be used when Replacing Impact Bar

NOTE: All Parts in this section are included in overhaul unless noted otherwise.



1 Cover, Bumper (P) <i>(P) Paint to Match</i> <i>#Includes R&I Hood Assy & R&R Side Marker & Park/Turn Signal Lamps</i>	10285643	#6.0	420.00
Reinf, Cover			
2 Outer	10149204-3		25.00
3 Center	10149201		25.00
4 Retainer, Outer	10149202		3.33
5 Nameplate, License (P) "CORVETTE" <i>(P) Paint to Match</i>	10285647	.2	27.75
6 Absorber, Impact	16519011	IOH	133.33
7 Bar, Impact	10277159	IOH	203.00
Plate, Bar Stud	10153659	IOH	3.45
8 Retainer, Cover Deflector, Air	10146498	IOH	21.27
9 Outer	10149264-3	#.2	18.15
10 Center	10149265	#.3	18.15
<i>#R&R Complete .4</i>			
11 Bar, Skid Plate Tie <i>#Includes R&I Bumper & Hood Assy, Not included in O/H</i>	10143525	#6.0	365.00
12 Plate, Impact Bar Skid	10135970	IOH	10.85
13 Brkt, Skid Plate Supt	10086318-7	IOH	3.28
14 Support, Skid Plate	14060231	IOH	12.79

EXTERIOR TRIM

Refinish Door Moulding4
Refinish Mirror5
R&I Door Moulding.....	.3
R&I Rear View Mirror	1.0

Moulding, Door

1984-90

Black 14043098-7 .3 62.50

White (Anniversary) 88 R 10123008 .3 d41.00

L 10123007 .3 d43.25

1991 (P) 12520820-19 .3 73.75

1992 (P) 12520820-19 .3 73.75

1993-96 (P) 12520820-19 .3 73.75

(P) Paint to Match

Decal, Door¶

"70th Indy 500" 10050940-39 #.3 d31.50

"Official Pace Car" 10050938-7 #.5 d62.00

#Time is for Installation Only

Mirror, Rear View¶ (P)

Heated 10054660-59 1.0 212.00

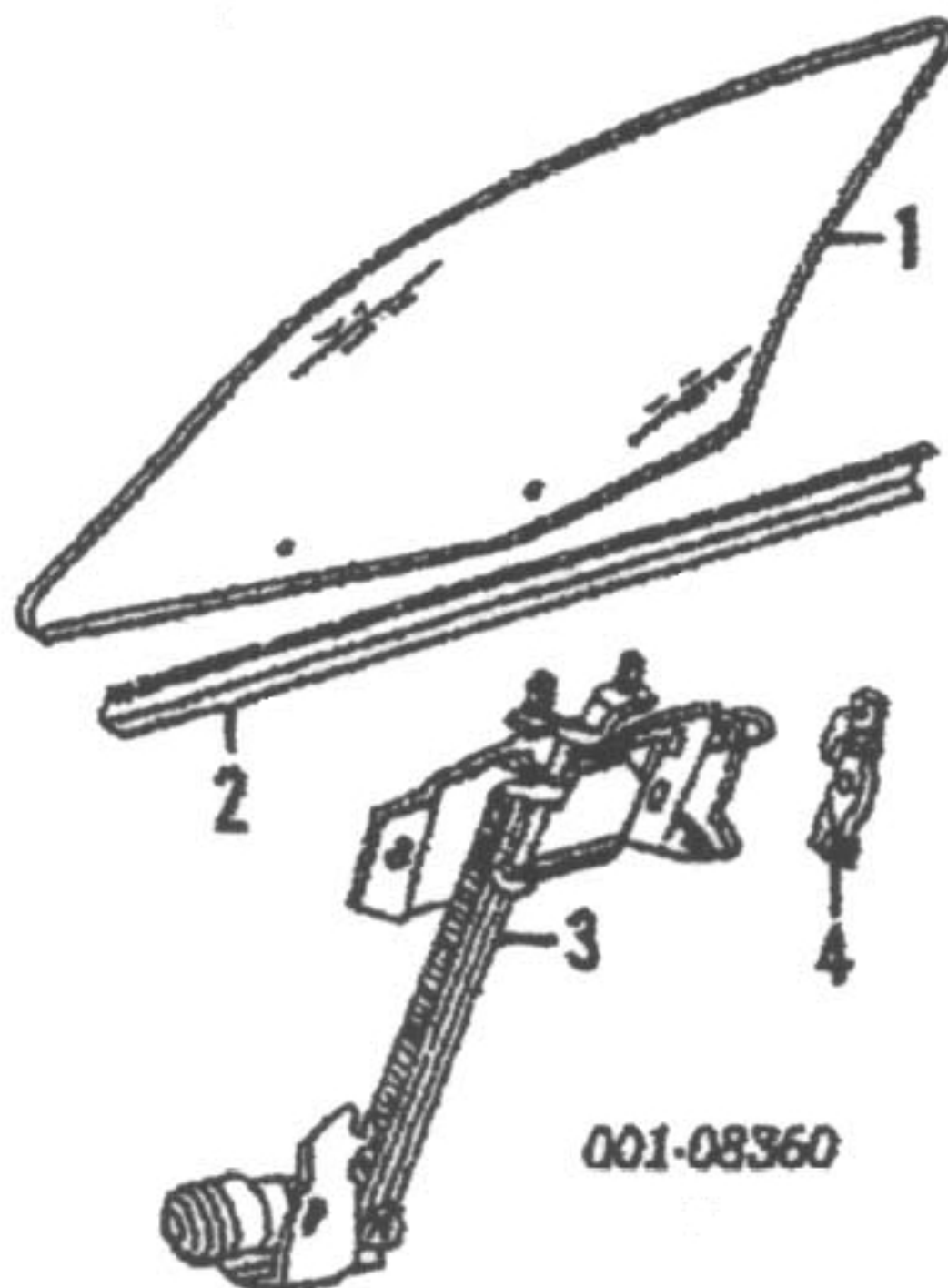
Non-Heated R 10045654 1.0 180.00

L 10045653 1.0 d164.00

¶Order by Application

(P) Paint to Match

GLASS & PARTS

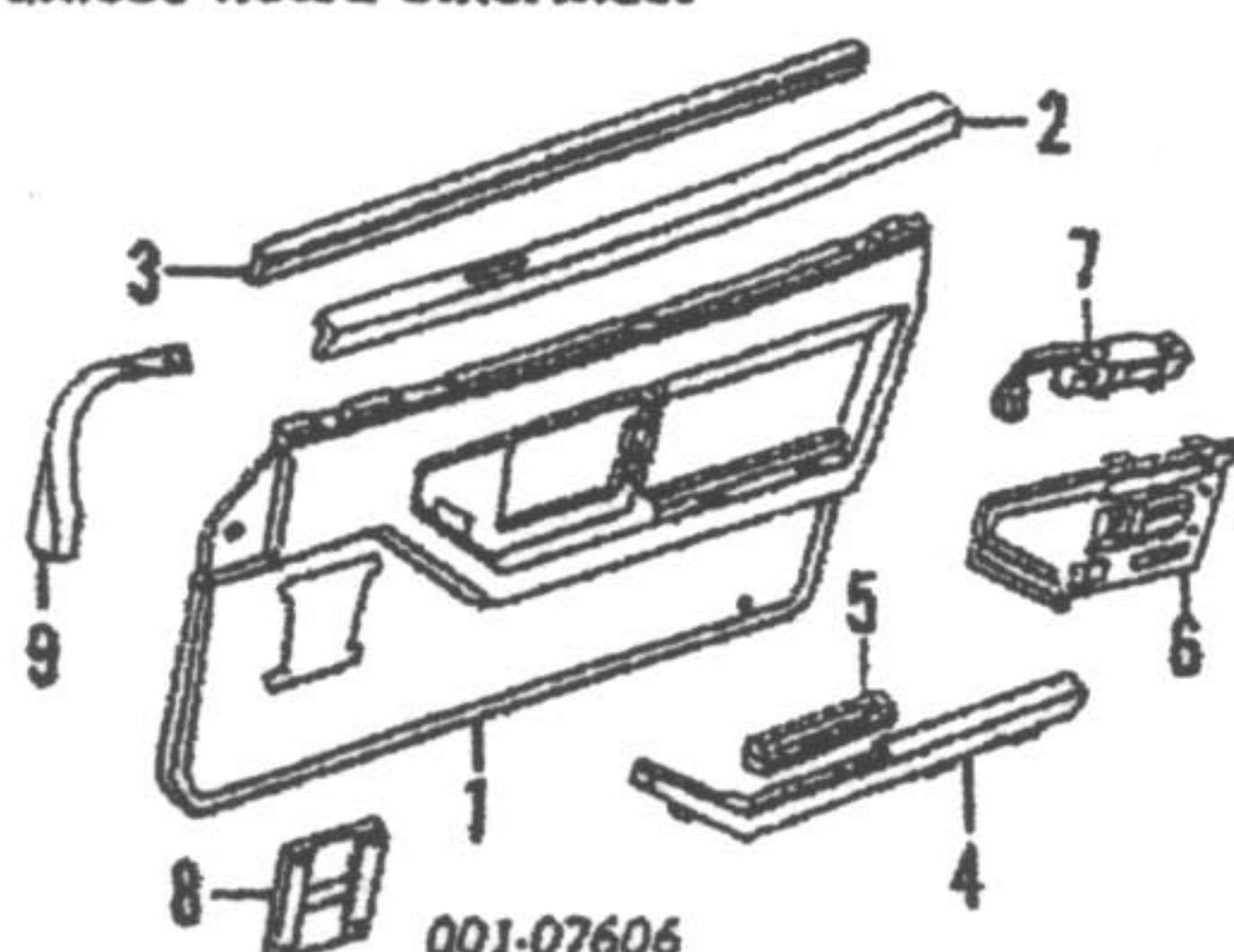


1 Glass, Door				
Chevrolet-Tinted	84-90	14094292-1	1.5	192.00
	91-96	10267190-89	1.5	245.00
NAGS-Green	84-90	DD06555-6GTN	1.5	345.15
	91-96	DD07887-8GTN	1.5	490.50
2 Seal, Weatherstrip				
Outer		10245646-5		30.50
Inner-See Interior Trim Section				
3 Regulator w/Motor		22063224-5	#2.3	224.60
#w/Glass Removed .8				
4 Stabilizer, Window		10267184-3		8.25

INTERIOR TRIM 1984-89

Refinish Speaker Grille.....	.3
R&I Trim Panel6

NOTE: All Parts in this section are included in R&R Trim Panel unless noted otherwise.

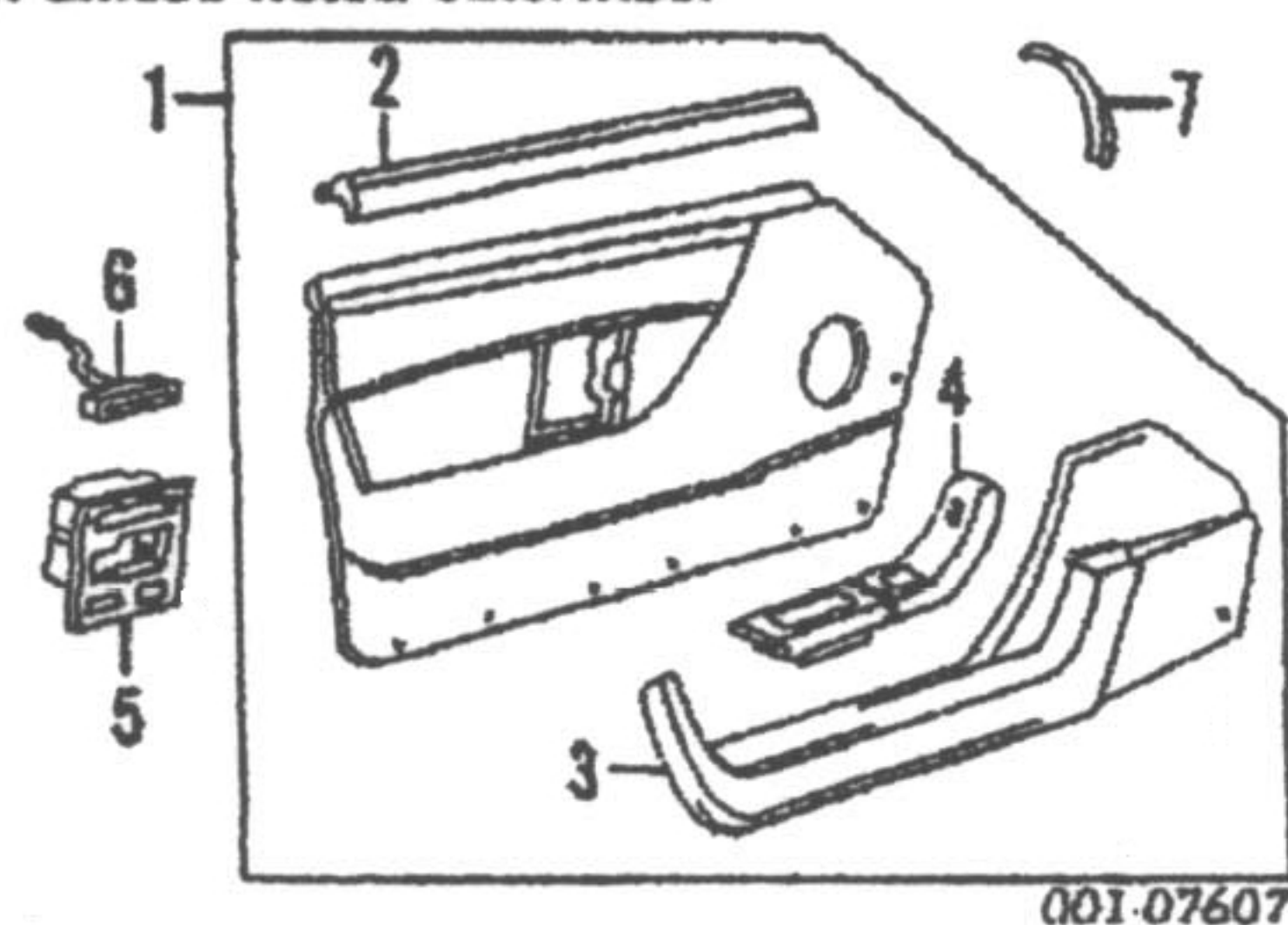


1 Panel, Trim (a)	R 10104499	.8	d416.00
	L 10104498	.8	475.00
<i>(a) Order by Application</i>			
2 Cover Trim Panel Upper			
Coupe	14094586-5		66.50
Convertible	14092750-49		118.00
3 Seal, Belt Inner	14071842-1		32.75
4 Armrest (a)	R 14049160		d68.00
	L 14049159		d73.75
<i>(a) Order by Application</i>			
5 Filler, Armrest	14069626-5		2.90
6 Plate, Accessory Switch			
1984-85			
w/Power Locks	14076584-3	.3	d17.71
w/o Power Lock			
Right	14076586	.3	d6.75
Left-Not Serviced			
1986-89			
w/Power Locks	14088470-69	.3	20.30
w/o Power Locks	14088468-7	.3	d11.15
7 Lamp, Reading	84-85 R 918256	.3	d43.50
	L 918255	.3	45.25
	86-89 R 5974774	.3	45.25
	L 5974773	.3	d43.50
8 Grille, Speaker (P)	14049217	.2	31.75
(P) Paint to Match			
Speaker (a)	16052371	#.2	272.02
(a) Order by Application			
#w/Trim Panel Removed, Not Included in R&R Trim Panel			
9 Windlace, Front	14060206-5	.2	33.50

INTERIOR TRIM 1990-96

R&I Trim Panel6
----------------------	----

NOTE: All Parts in this section are included in R&R Trim Panel unless noted otherwise.



1 Panel, Trim¶	90-91 10167190-89	.8	d452.00
	92-93 R 10240810	.8	475.00
	L 1024080	.8	N.A.
	94-96 R 10278987	.8	475.00
	L 10278982	.8	475.00
Cover, Panel Insert¶ (a)	10135934-3		d34.75
¶Gray listed, Order by Application			
2 Seal, Belt Inner (a)	90-91 R 10086110		28.25
	L 10199731		28.25
	92-95 10199732-1		28.25
	96 N.A.		N.A.
3 Armrest¶ (a)	R 10135908	#.3	d68.00
	L 10085969	#.3	77.50
4 Filler, Armrest¶ (a)	R 10167170	#.3	5.85
	L 10085953	#.3	24.60
(a) Included w/Trim Panel			
#R&R Complete			
5 Plate, Accessory Switch¶	10167158-7	.3	29.00
¶Gray listed, Order by Application			
6 Lamp, Reading	R 10213748	.3	41.50
	L 10213747	.3	28.00
7 Windlace, Front	10278972-1	.2	33.50

FRONT DOOR

Relinish Door Outside.....	2.3
Add for Jambs & Interior	1.0
Add for Jambs5
R&I Door Assy	
Manual.....	.9
Power.....	1.2
Add to R&R Door Shell	
w/Mirror5
w/Speaker.....	.3
Add to R&R Outer Door Panel	
w/Mirror5

DOOR PANELS

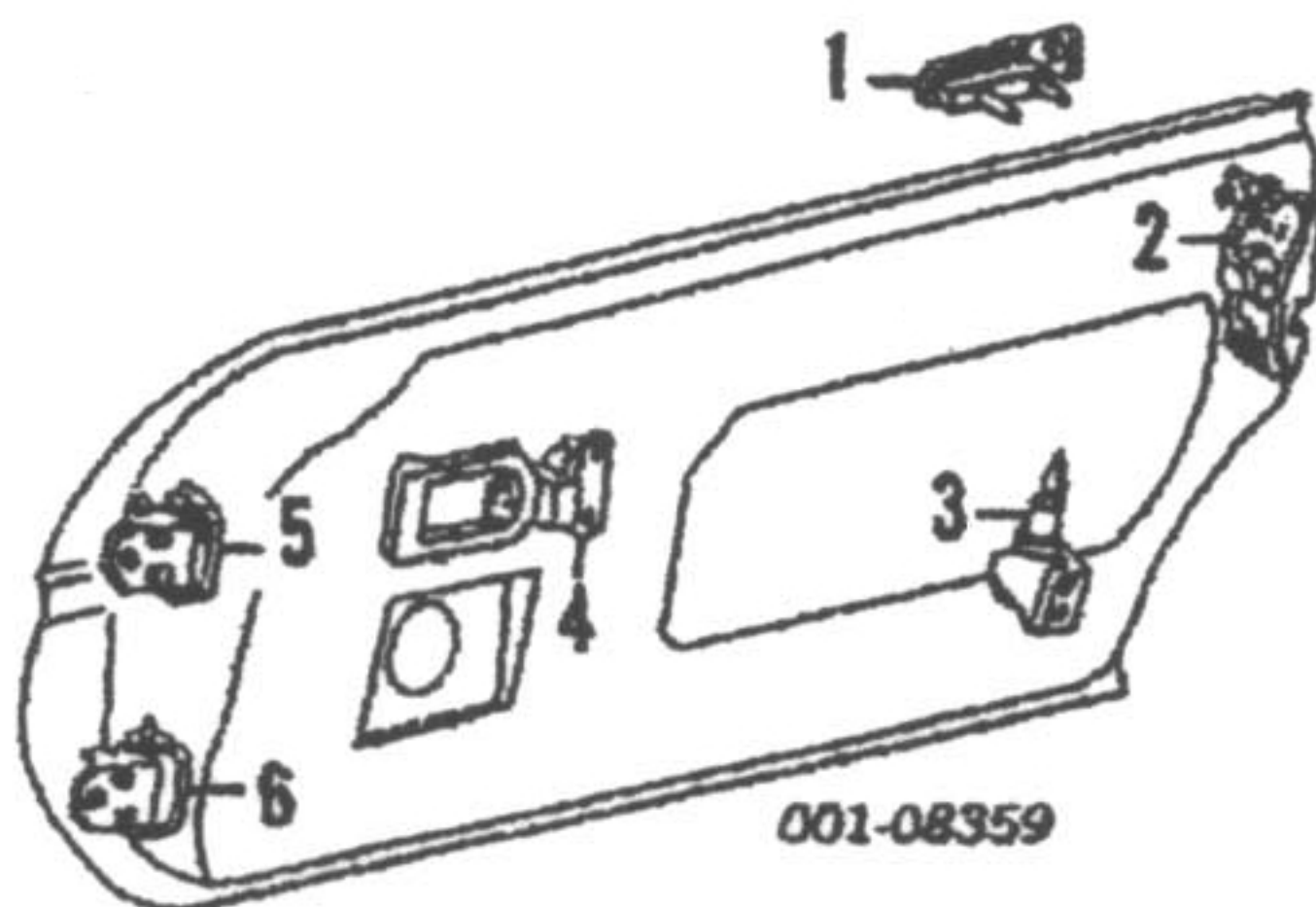
Shell, Door				
Standard	84-94 R	10228732	#9.0	642.00
		L 10270267	#9.0	642.00
	95-96 R	10270268	#9.0	642.00
		L 10270267	#9.0	642.00
ZR-1	84-92 R	10228734	#9.0	704.00
		L 10270269	#9.0	704.00
	93 R	10228734	#9.0	704.00
		L 10270269	#9.0	704.00
	94 R	10270270	#9.0	704.00
		L 10270269	#9.0	704.00
	95 R	10270270	#9.0	704.00
		L 10270269	#9.0	704.00
	#Includes Drill Holes for Latch & Align Door to Body			
Panel, Door Outer¶				
Standard		R 14043106	#6.5	295.00
		L 14043105	#6.5	271.00
ZR-1-Not Serviced				
	¶Included w/Door Shell			
	#Includes R&I Glass			

FRONT DOOR

HARDWARE

Refinish Upper Hinge3
Refinish Lower Hinge3
R&I Outside Handle.....	#1.4

#Includes R&I Trim Panel

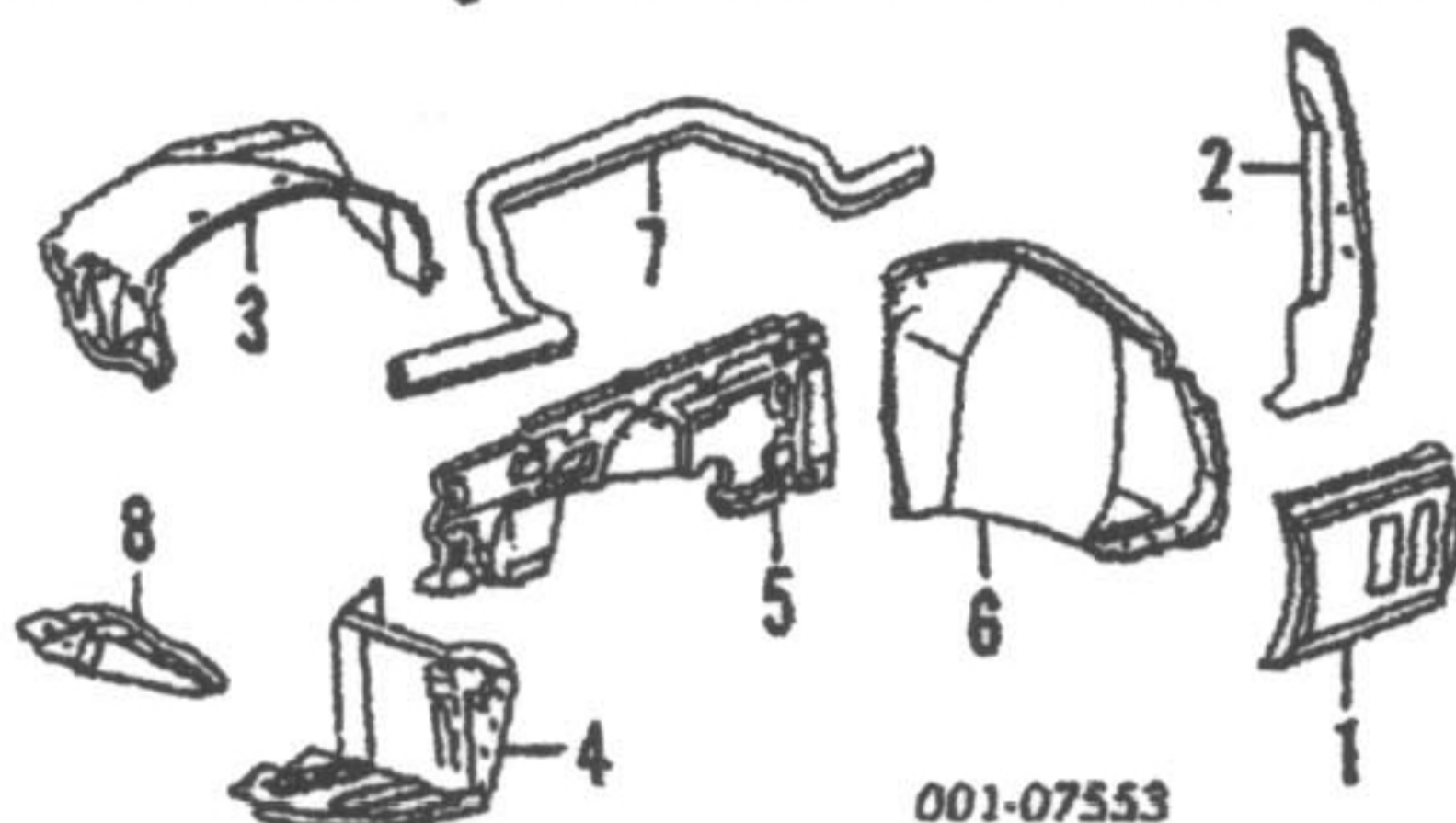


1 Handle, Outside			
1984-95			
Standard ZR-1	14075358-9	#.8	37.00
35th Anniversary Pkg	10123042-1	#.8	d35.25
1996			
w/Grand Sport	12525666	#.8	d33.50
w/o Grand Sport	14075358-9	#.8	37.00
Cylinder Kit, Door			
Uncoded	84-90 12522046	#.8	8.05
	91-96 12520461	#.8	9.10
#w/Trim Panel Removed, One Door Complete			
2 Latch			
	84-88 16608234-5	#.6	81.50
	89-96 R 10259203	#.6	41.25
	L 10259204	#.6	42.25
#w/Trim Panel Removed			
3 Actuator, Lock			
	84 22020256	#.2	50.70
	85-93 22049686	#.2	56.90
	94-96 22137716	#.2	34.93
#w/Trim Panel Removed			
4 Handle, Inside			
1984			
1st Design (a)	14043185		d27.25
2nd Design (b)¶	10153684		28.50
1985-96¶			
(a) Solid w/Curled End			28.50
(b) Flat w/Rectangular Hole			
¶Black listed, Order by Application			
5 Hinge Assy, Upper			
	14043176	#.3	34.25
#w/Door Removed			
6 Hinge Assy, Lower			
	14043177	#.3	29.00
#w/Door & Fender Removed			
Weatherstrip, Door			
	84-89 17986020-19	.6	98.25
	90-96 R 10269866	.6	66.75
	L 10269865	.6	54.25

FRONT FENDER

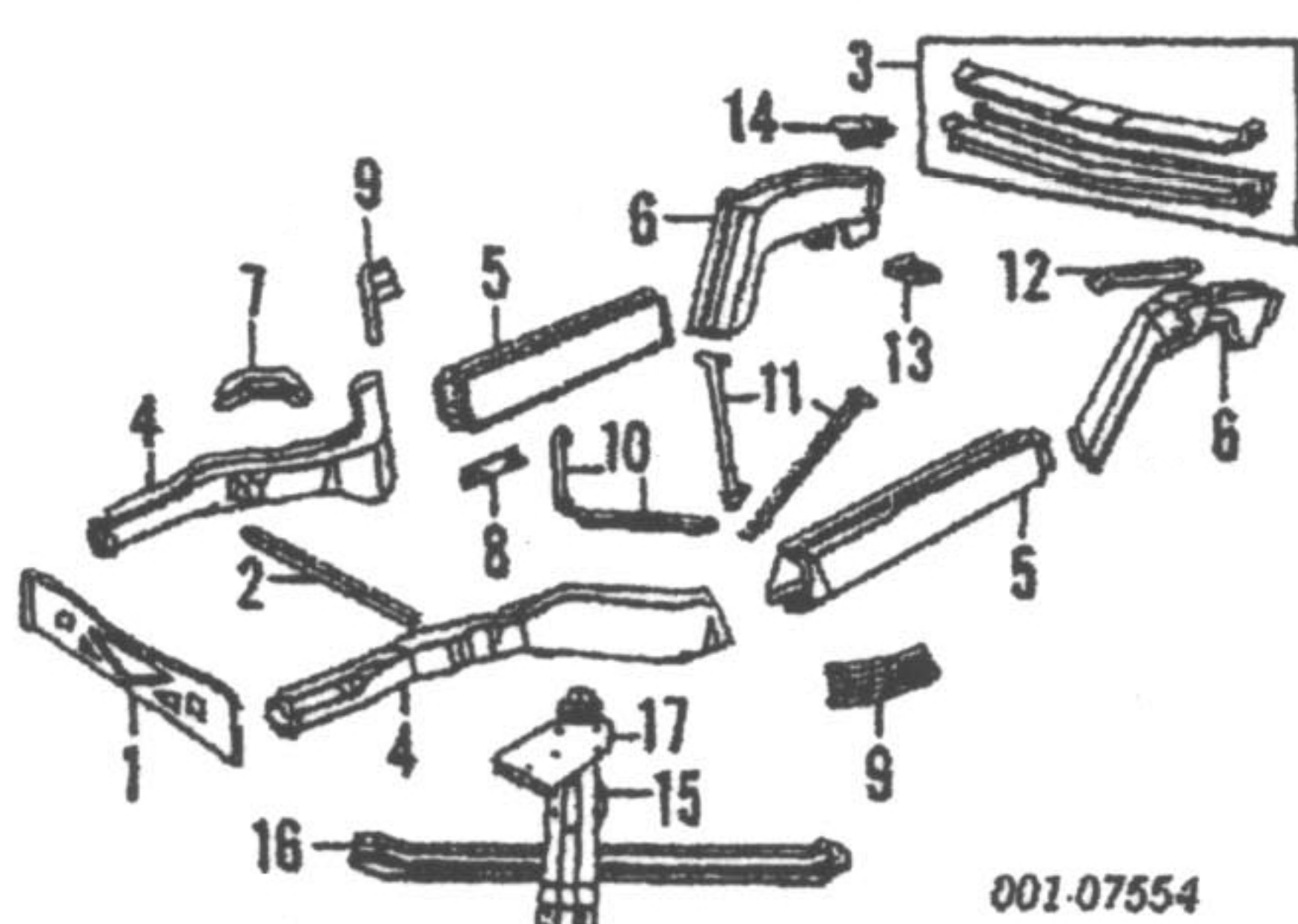
Use Procedure Explanations 7 and 28 with the following text.

Refinish Fender Outside	1.4
R&I Fender Moulding3



1 Fender	84-87 R	14030218	#.4	58.00
	L	14030217	#.4	d55.75
	88-90 R	14104010	#.4	45.00
	L	14104009	#.4	45.00
	91-94 R	10135976	#.4	45.00
	L	10135975	#.4	45.00
	95-96 R	10254396	#.4	58.50
	L	10254395	#.4	58.50
	#w/Rocker Finish Panel Removed			
2 Reinf, Fender		14043026-5	#.2	40.50
	#w/Fender Removed			
	Panel, Wheelhouse			
3 Upper	84	14076590-89	.4	29.75
	85-87	14076596-5	.4	29.75
	88-96	10231874-3	.4	31.25
4 Lower Front	84-87	14081833-4	#.6	47.00
	88-90 R	14104002	#.6	56.00
	L	14104001	#.6	53.00
	91-96	10275626-5	#.6	53.00
	84-87 R	14088418	#1.5	N.A.
5 Center	L	14084443	#1.5	28.00
	88-96	10276504-3	#1.5	32.25
6 Rear	Standard			
	84-87 R	14049092	#.6	43.00
	L	14049091	#.6	40.50
	88-96 R	10276498	#.6	43.25
	L	10276497	#.6	44.50
	ZR-1			
	89 R	10276498	#.6	43.25
	L	10276497	#.6	44.50
	90-95 R	10274658	#.6	45.75
	L	10276499	#.6	43.25
	#R&R Complete 1.9			
7 Seal, Wheelhouse	84-87	14064553	.3	56.00
	88-96	14104943	.3	21.20
8 Support, Front	84-87	14078664-3	.3	12.00
	88-96	14104036-5	.3	12.00
Battery & Cables-See Electrical Section				
		14064574		27.00
		14005061	.2	1.45
	Moulding, Fender			
	Black			
	84 R	14043096	.3	d40.25
	L	14043095	.3	44.25
	85-90	14084410-09	.3	29.50
	White			
	88	10123038-7	.3	d54.25

FRONT INNER STRUCTURE



1 Tie Bar, Front		14090676	#2.5	44.25
2 Crossmember, Front				
Coupe				
1984-86		14090674	#3.5	d43.50
1987-88				
Std Duty Susp		14090674	#3.5	d43.50
Hvy Duty Susp		10077390	#3.5	d134.00
1989-96		10098200	#3.5	91.75
Convertible				
86-88		10077390	#3.5	d134.00
89-96		10098200	#3.5	91.75
#Deduct 1.0 for Each Frame Rail Removed				
3 Crossmember, Rear				
Coupe				
84-87		14069823	#3.0	d92.00
88-96		12525520	#3.0	109.00
Convertible				
86-87		10048799	#3.0	d97.50
88-94		12525521	#3.0	107.00
95-96		12525521	#3.0	107.00
#w/Upper Body Pan Removed R&R Complete, Deduct 1.0 for Each Rear Sidemember Removed				
4 Sidemember, Front (HSLA)				
Coupe				
1984				
R		14089122	#18.5	d896.00
L		14089121	#14.5	d896.00
1985-86				
R		14089122	#18.5	d896.00
L		14089121	#14.5	d896.00
1987-88				
Std Duty Susp				
87 R		14089122	#18.5	d896.00
L		14089121	#14.5	d896.00
88 R		10112670	#18.5	d896.00
L		10112669	#14.5	d896.00
Hvy Duty Susp				
R		10048796	#18.5	d849.00
L		10048795	#14.5	d824.00
1989				
R		10132714	#18.5	d896.00
L		10132713	#14.5	d896.00
1990-91				
R		10174972	#18.5	932.00
L		12513145	#14.5	932.00
1992-93				
R		12529346	#18.5	N.A.
L		12513145	#14.5	932.00
1994-95				
R		12529346	#18.5	N.A.
L		12513145	#14.5	932.00
1996				
R		12529346	#18.5	N.A.
L		12529345	#14.5	N.A.
Convertible				
86-88				
R		10048796	#18.5	d849.00
L		10048795	#14.5	d824.00
89				
R		10132714	#18.5	d896.00
L		10132713	#14.5	d896.00
90-91				
R		10174972	#18.5	932.00
L		12513145	#14.5	932.00
92-93				
R		12529346	#18.5	N.A.
L		12513145	#14.5	932.00
94-95				
R		12529346	#18.5	N.A.
L		12513145	#14.5	932.00
96				
R		12529346	#18.5	N.A.
L		12529345	#14.5	N.A.
Order by Application				
#Includes Cut & Re-Weld Front Sidemember to Install at Factory Seam, w/Hinge Pillar Removed Deduct 4.0				
5 Member, Side Rail				
84-89		14069826-5	#17.5	d170.00
90-96		10148004-5	#17.5	266.00
#Includes Cut & Re-Weld Front Sidemember to Install at Factory Seam, w/Hinge Pillar Removed Deduct 4.0, w/Lock Pillar Removed Deduct 6.0				
6 Sidemember, Rear (HSLA)				
Coupe				
84-87		14069822-1	#4.5	d310.00
88-93		10112676-5	#4.5	322.00
94-96		12513816-5	#4.5	322.00
Convertible				
86-87		10048798-7	#4.5	d285.00
88-96		10112678-7	#4.5	322.00
#w/Upper Body Panel Removed				
7 Bracket, Front Cross				
Coupe				
1984-86		14090675	.5	d10.45
1987-88				
Std Duty Susp		14090675	.5	d.0.45
Hvy Duty Susp		14092618-7	.5	101.00
1989-96		14092618-7	.5	101.00
Convertible		14092618-7	.5	101.00
Reinf, Crossmember				
Upper				
Coupe (Hvy Duty Susp)				
Standard				
87-91		14092613		75.50
92-96		14104627		31.25
ZR-1		14104627		31.25
Convertible				
86-91		14092613		75.50
92-96		14104627		31.25
8 Lower		84-91 14100201		7.30
9 Reinf, Sidemember-Not Serviced				
10 Brace, Crossmember				
Standard				
Coupe				
1984-85		14094300-299		d19.45
1986		14094300-299		d19.45
1987-88				
Std Duty Susp		14094300-299		d19.45
Hvy Duty Susp		14092612-1		40.25
1989-91		14092612-1		40.25
1992-96-See Engine Mounts Section				
Convertible		14092612-1		40.25
ZR-1-See Engine Mounts Section				
Brace, Member				
11 Side Rail				
84-89 R		10208440	.5	30.75
L		14081859	.5	31.75
94-96		10208440-1	.5	30.75
12 Rear Side (Coupe)				
84-88		14058686-5	.5	d13.10
89-96		14104794-3	.5	13.60
13 Gusset, Rear Cross		14064524-3		10.90
14 Cover, Rear Sidemember		14078628-7		6.35
Brace, Underbody (Convertible)				
15 Upper		10193674		164.00
16 Lower		10143533		142.00
17 Reinf, Brace (Convertible)		14092624		30.25

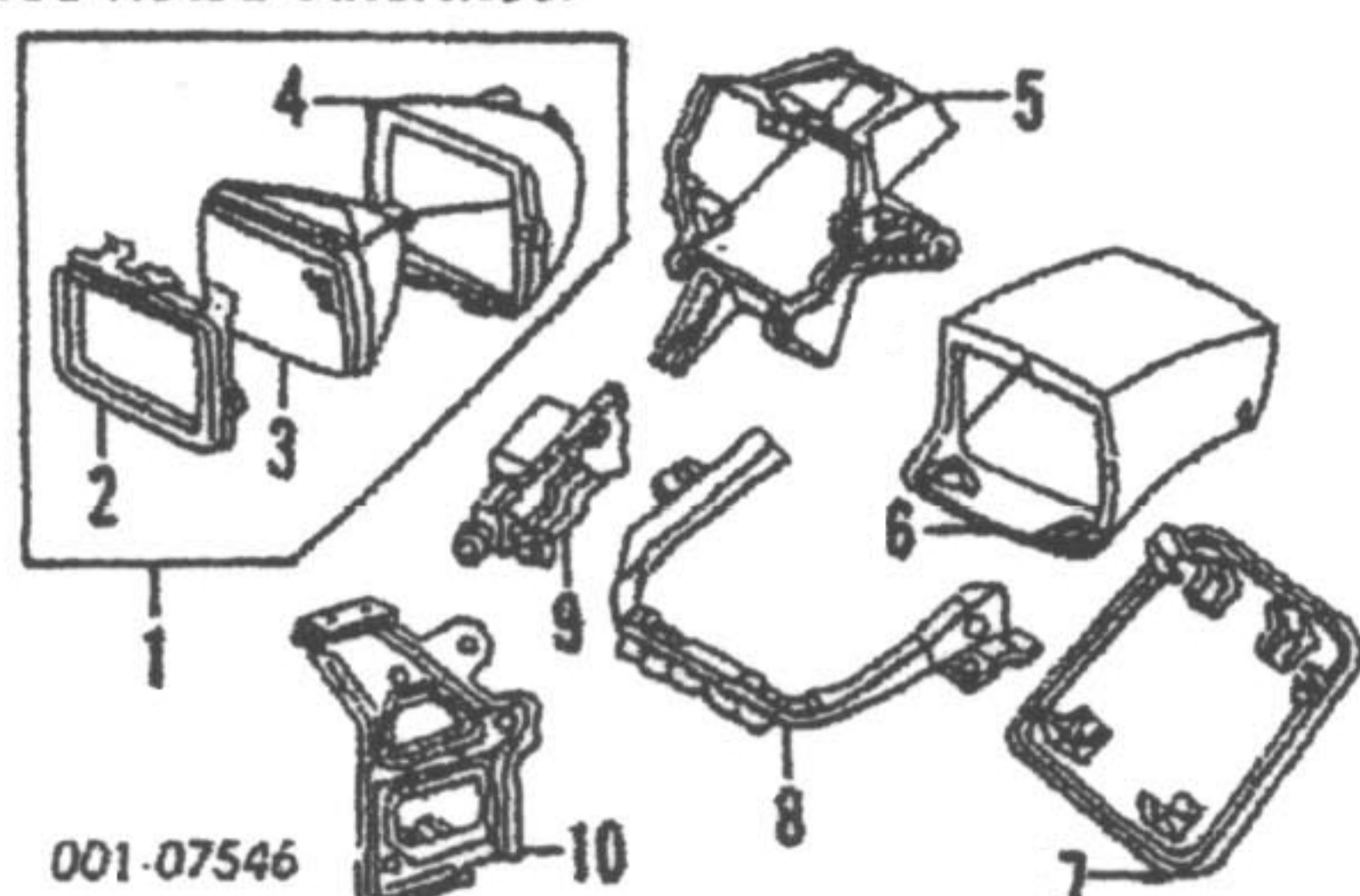
FRONT LAMPS

HEADLAMP

Refinish Headlamp Door5
Refinish Headlamp Bezel4
R&R Does Not Include Aim Lamps.....	.4
R&I Headlamp Assy4
O/H Headlamp Assy (Includes R&I)	
One Side.....	#1.8
Both Sides	#2.5

#O/H Includes Aim Lamps, When Replacing 84 Thru 87 Left Actuator Add .8 for Conversion Kit, Refer to Manufacturer for components

NOTE: All Parts in this section are included in overhaul unless noted otherwise.



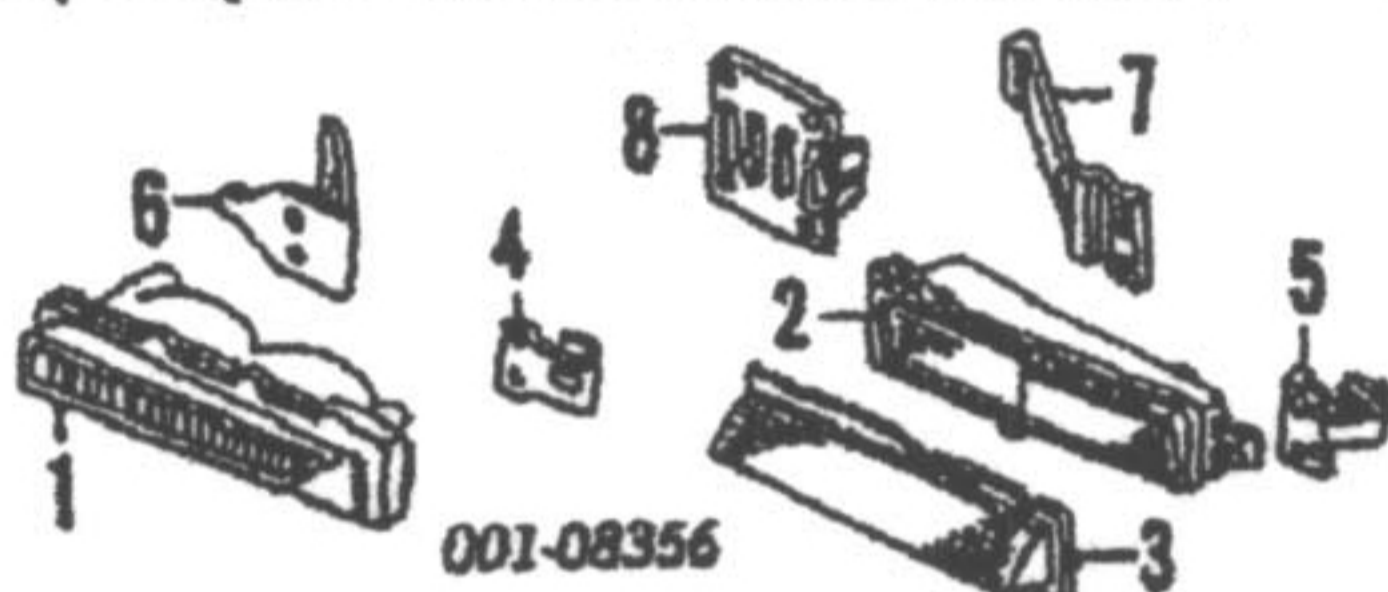
1 Capsule Assy	5972850	.3	45.75
2 Ring, Retaining¶	5969466	#.4	18.50
3 Sealed Beam¶	5972698	#.4	■19.13
4 Ring, Mounting¶	5968095	#.4	27.50
¶Included w/Capsule Assy #R&R Complete			
5 Housing	16500352-1	.8	121.00
6 Bezel	10074300-299	.2	26.00
7 Door, Opening	10137734-3	#.6	45.25
#Includes R&R Bezel			
8 Bracket, Mounting	16510406-5	IOH	54.75
9 Actuator, Headlamp	84-87 R 16500364	#1.6	d242.00
	L 16517068	#1.6	623.00
	88-90 16510052-1	#1.6	238.00
	91-96 R 16516134	#1.6	297.00
	L 16516133	#1.6	360.00
Module, Actuator	84-93 16521297	#1.6	119.00
	94-96 16521297	#1.6	119.00
#R&R Complete, When Replacing 84 Thru 87 Left Actuator Add .8 for Conversion kit, Refer to Manufacturer for Components			
10 Bracket, Harness	84-90 14091208-7	IOH	6.95
Relay, Actuator¶	84-87 10031837	#.3	10.71
Cover, Relay¶	84-87 14057579	#.3	2.15
¶Order by Application #R&R Complete			

Daytime Running Lamp Components (Canada)

Control Module	10098712	114.00
Sensor	10067986	10.20
Sensor Socket	12007642	18.20
Sensor Bracket	90-82 10098711	1.30
	93-96 10177914	8.30
Sensor Grille	10067987	2.25

PARK/SIGNAL/FOG LAMP

R&I Lamp Assy3
---------------------	----



Lamp Assy			
1 1984-90	16500702-1	#.3	100.00
2 1991	5976668-7	#.3	173.00
1992-96	5976668-7	#.3	173.00
3 Lens, Outer	91-96 16514378-7	#.3	60.00
Hinge, Lamp			
4 1984-90	14049171	#.3	1.30
5 1991-96	10153676	#.3	2.15
Spring, Lamp			
6 1984-90	14049172	#.3	2.00
7 1991-96	10153677	#.3	3.10
8 Bracket, Lamp	91-96 10153658	#.3	6.55
Socket, Park/Signal	12013813	#.3	20.25
Bulb, Park/Signal	9438850	#.3	■2.10
Bulb w/Socket, Fog	84-90 9442876	#.3	■10.83
	91-96 9442882	#.3	■15.05

#R&R One Side Complete, w/Front Bumper Assy Removed, Included in R&R Front Bumper Assy & O/H Bumper Assy

CORNERING/MARKER LAMP

R&I Lamp Assy3
---------------------	----



Lamp Assy			
1 w/o Corner Lamp	84-87 917886-5	#.3	41.00
	88-90 16508514-3	#.3	41.00
2 w/Corner Lamp	91-96 5975794-3	#.3	58.50
Socket w/Cable			
Side Marker	84-87 6298886	#.3	7.15
	88-96 12083007	#.3	11.60
Cornering	12003758	#.3	20.75
Bulb, Side Marker	9441837	#.3	■.65
Bulb, Cornering	9428904	#.3	■1.42

#R&R One Side Complete, Included in R&R Front Bumper & O/H Bumper Assy

SEAT

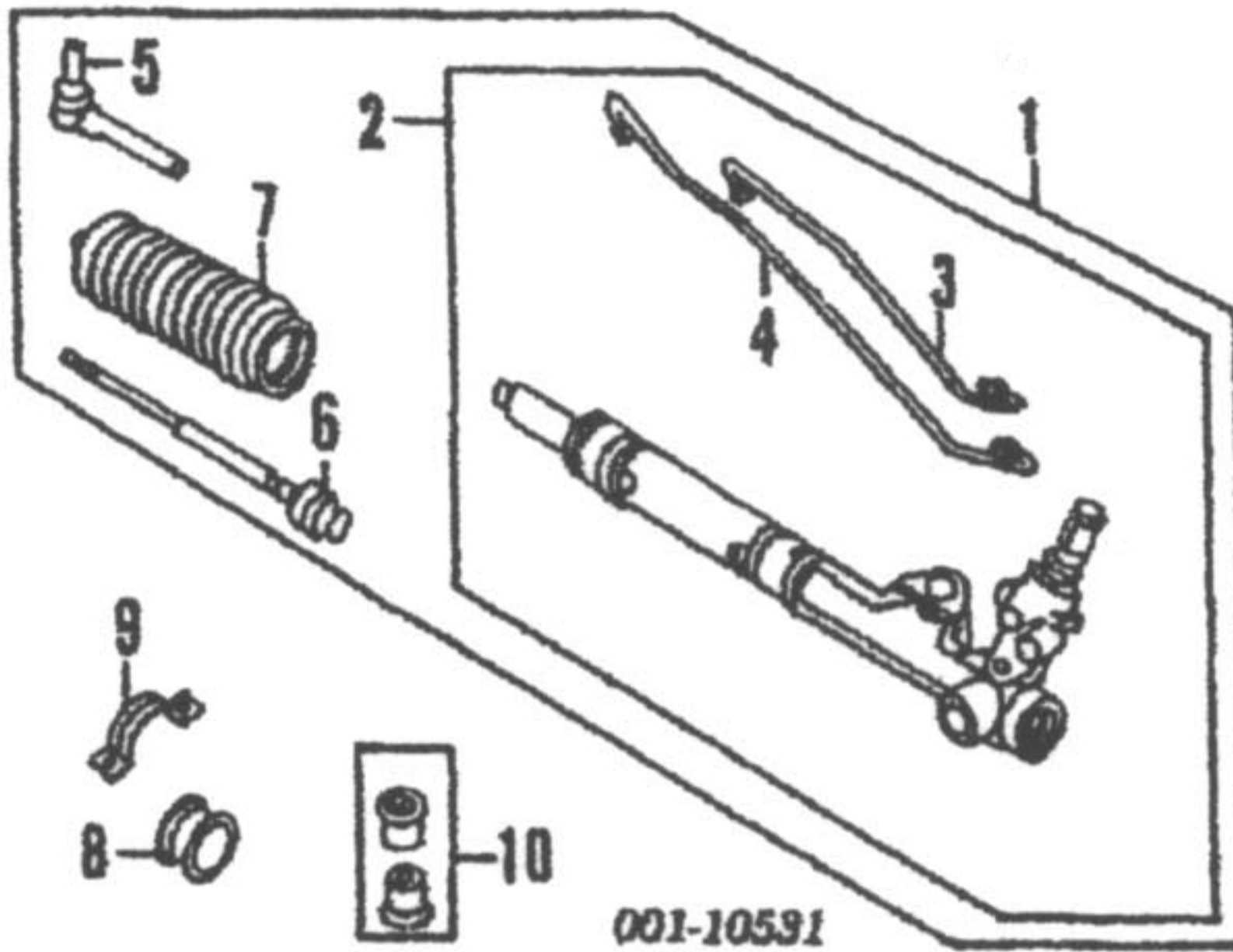
R&I Seat Assy3	
Adjuster, Seat				
Manual				
Driver	14064592-1		#.9	59.50
Passenger	14064592-1		#.9	59.50
#R&R Both One Seat 1.1				
Power				
w/6-Way (Less Motor)				
Driver	10137221		.9	368.00
Passenger	10137222		.9	368.00
w/o 6-Way (Both Seats)				
w/Recliner	84-93 14088485		#.8	128.00
w/o Recliner	14064592-1		#.8	59.50
#R&R Both One Seat 1.0				
Motor, Power Seat	84-87 14067605		.9	d243.00
	88-96 10137220		.9	108.68

FRONT STEERING LINKAGE/GEAR

R&I Steering Gearm #3.4
 O/H Steering Gear (Includes R&I)m #5.8
#w/ZR1 Deduct .2

NOTE 1: R&R Does Not include adjust wheel alignment.

NOTE 2: All Parts in this section are included in overhaul unless noted otherwise.



1 Gear Assy, Complete

1984-85				
Std Duty Susp	26044837	m #3.4		309.03
Hvy Duty Susp	26044835	m #3.4		309.03

#R&I/R&R Complete Assy, w/ZR1 Deduct .2

2 Gear Assy, Short Rack (c)

1986-87				
Std Duty Susp	26044837	m #3.8		309.03
Hvy Duty Susp	26044835	m #3.8		309.03
1988				
16" Wheel	26044838	m #3.8		309.03
17" Wheel	26024853	m #3.8		304.59
1989-90				
Stamped "NS" (a)	26024853	m #3.8		304.59
Stamped "FH" (a)	26044839	m #3.8		260.58
1991-96	26044839	m #3.8		260.58

(a) Stamped on Lower Dust Cover

#w/ZR1 Deduct .2

Line Kit, Fluid[¶] (b) (c)

3 Right	84-86	26011429	m	.5	31.00
	87-88	26011400	m	.5	31.00
	89-90	26011429	m	.5	31.00
	91-93	26017578	m	.5	31.00
	94-96	26037914	m	.5	30.16
4 Left	84-86	26017578	m	.5	31.00
	87-88	26011399	m	.5	31.00
	89-90	26017578	m	.5	31.00
	91-93	26017579	m	.5	31.00
	94-96	26037911	m	.5	30.25

(b) Included w/Gear Assy

¶Order by Application

5 Rod, Outer Tie (w/Seal)

1984-85 (c)	26000001	m	.3	123.00
1986-96	26050222	m	.3	46.80

6 Rod, Inner Tie

1984-87 (c)	7841627	m	#.6	95.75
1988-92	26024411	m	#.6	95.68
1993-96	26034348	m	#.6	95.75

7 Boot Kit, Tie Rod

1984-87 (c)	26003998	m	#.6	33.25
1988-92	26003998	m	#.6	33.25
1993-96	26034552	m	#.6	33.25

(c) Included w/Complete Gear Assy

#R&R One Side Complete, Includes R&R Outer Tie Rod

8 Grommet, Mounting	7840293	m		13.80
9 Clamp, Grommet	10207187	m		4.15
10 Bushing Kit, Mounting (d)	7841634	m		29.50

(d) Kit Includes 2 Bushings

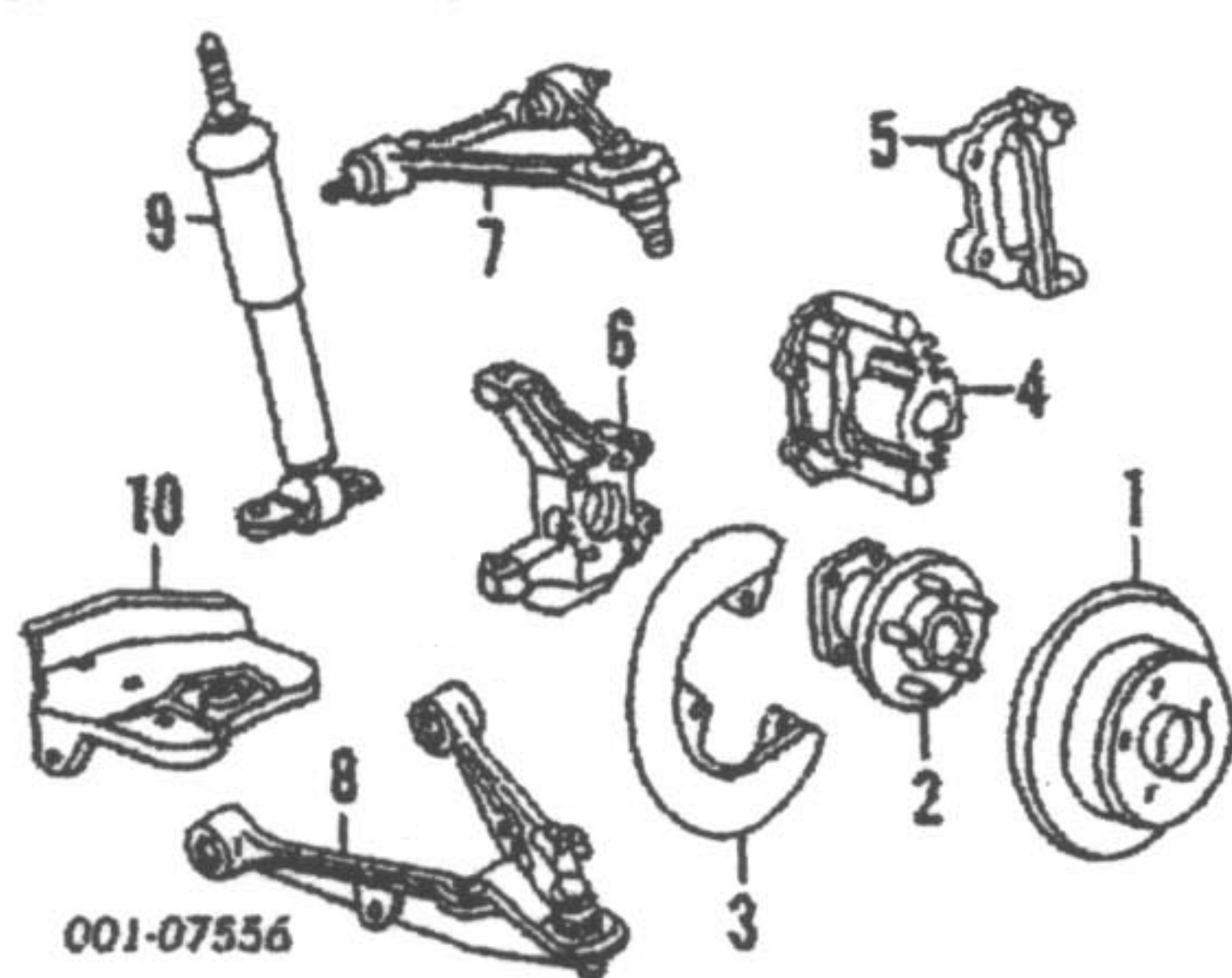
FRONT SUSPENSION

Use Procedure Explanation 11 with the following text.

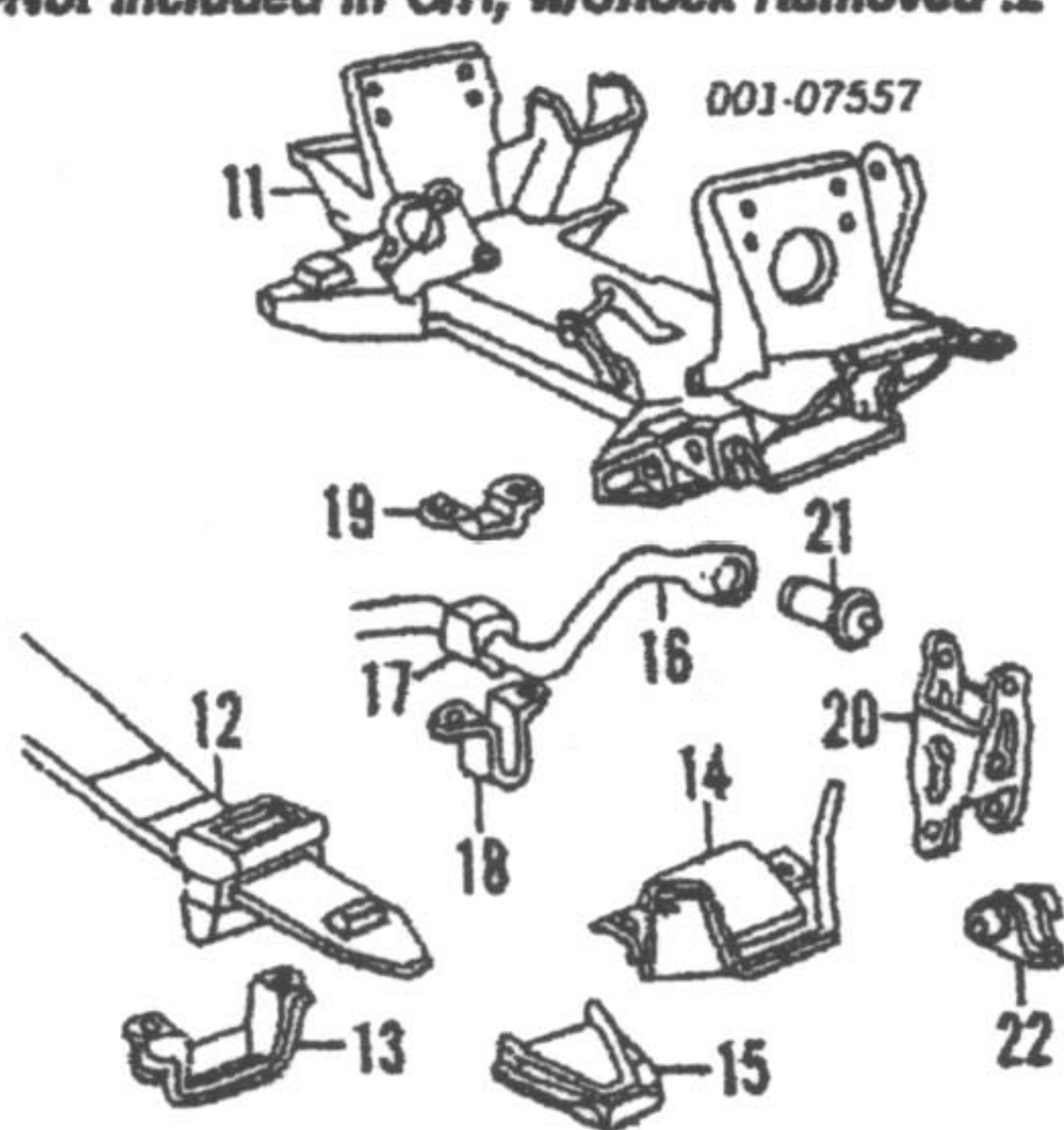
R&I Suspension (One Side).....	m	2.5
O/H Suspension (Includes R&I)		
One Side	m	3.3
Both Sides.....	m	6.3
Add to O/H Suspension		
To R&R Spring		
w/One Side Removed	m	1.4
w/Both Sides Removed.....	m	.6
Adjust Four Wheel Alignment	m	3.6
Adjust Front Alignment.....	m	1.5
Bleed Brake System		
w/ABS	m	.5
w/o ABS	m	.3

NOTE 1: R&I/R&R or O/H Does Not include alignment or bleed brake system.

NOTE 2: All Parts in this section are included in overhaul unless noted otherwise.



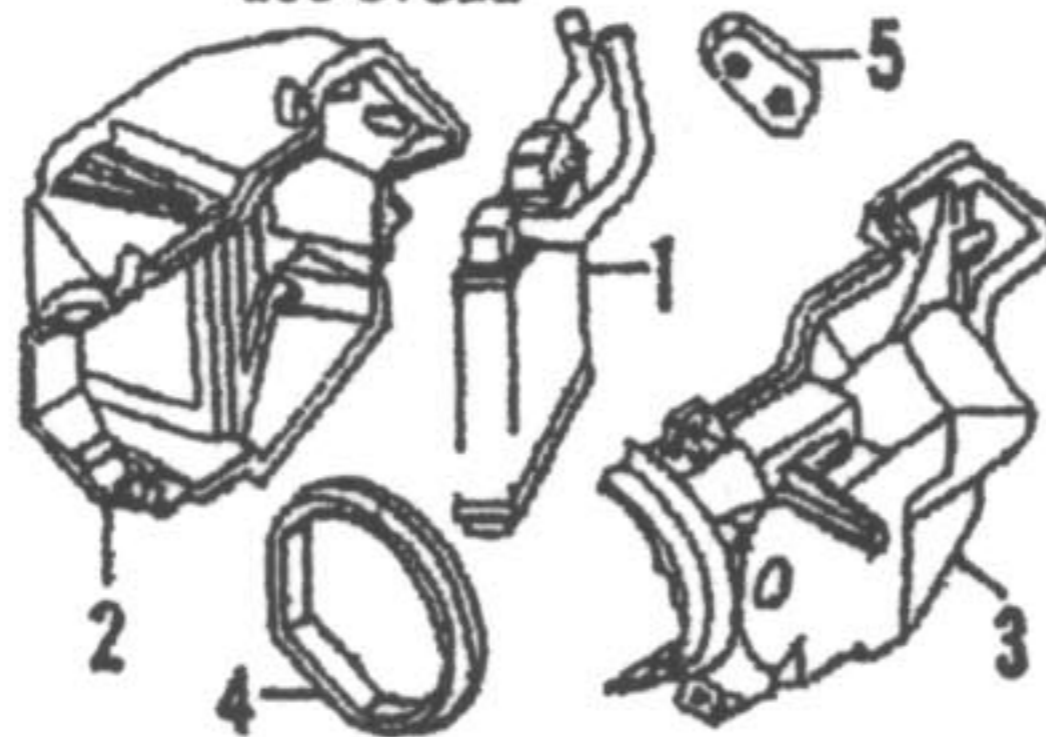
1 Rotor, Brake				
1984-87	14084142	m #.6		89.50
1988-95				
Std Duty Brakes	10097654	m #.6		79.25
Hvy Duty Brakes				
1988-93	10052204-3	m #.6		109.00
1994-95	10052204-3	m #.6		109.00
1996				
Standard	10052204-3	m #.6		109.00
Collectors Edition	10257632-1	m #.6		109.00
Grand Sport	10257632-1	m #.6		109.00
Order by Application				
#R&R Both 1.0				
2 Hub				
1984-90	7470551	m #.9		435.00
1991-96	7470507	m #.9		406.00
Includes ABS Sensor				
Includes R&R Rotor & Splash Shield, R&R Both 1.6,				
Add to R&R Caliper .2				
Bolt, Lug (a)	9592032	m #.8		2.15
(a) Included w/Hub				
Includes R&R Rotor, Each Additional .1, Not Included				
in O/H				
3 Shield, Splash	84-87 14046905	m #.7		d9.45
Includes R&R Hub & Rotor, Add to R&R Caliper .2				
4 Caliper, Brake				
1984-87	14105946-5	m #.5		80.95
1988-95				
Std Duty Brakes	88-94 12520230-29	m #.5		120.79
95	N.A.	m #.5		N.A.
Hvy Duty Brakes	12520232-1	m #.5		120.79
1996				
Standard	12520232-1	m #.5		120.79
Collectors Edition	R 12528690	m #.5		167.48
L 12528689		m #.5		226.00
Grand Sport	R 12528690	m #.5		167.48
L 12528689		m #.5		226.00
#R&R Both .8, w/Rotor Removed .2 Each, Includes R&R				
Caliper Mounting Plate				
Hose, Brake	84-87 14076178	m #.3		27.00
88-92 10097648-7		m #.3		27.00
93 17999556		m #.3		26.75
94-96 17999662-1		m #.3		27.00
#w/Caliper Removed .1				
5 Plate, Caliper Mount				
1984	14067557	m #.5		d44.00
1985-87	14085886	m #.5		50.50
1988-95				
Std Duty Brakes	10181206-5	m #.5		46.00
Hvy Duty Brakes	10181208-7	m #.5		46.00
1996	10181208-7	m #.5		46.00
#Included in R&R Caliper, R&R Both .8				
6 Knuckle	84 10046330-29	m #1.3		d281.00
85 R 10046332		m #1.3		d305.00
L 10046331		m #1.3		d295.05
86-87 10052260-59		m #1.3		311.00
88-90 14105148-7		m #1.3		311.00
91-93 10098164-3		m #1.3		311.00
94-96 18019572-3		m #1.3		311.00
#Includes R&R Rotor, Hub, Splash Shield & ABS				
Sensor				
7 Arm, Upper Control	84-87 14067598-7	m #1.0		371.00
88-95 10258063		m #1.0		371.00
96 10258063-2		m #1.0		371.00
#w/Knuckle Removed .5				
Ball Joint, Upper (a)	9769596	m #1.0		111.00
(a) Included in Upper Control Arm				
#R&R Both 1.8, Not Included in O/H, w/Knuckle				
Removed .5				
8 Arm, Lower Control	84-87 14067624-3	m #1.5		460.00
88-96 10098154-3		m #1.5		460.00
#w/ZR-1 Add .3, w/Knuckle Removed .7				
Ball Joint, Lower (b)	9769599	m #1.3		98.00
(b) Included in Lower Control Arm				
#R&R Both 2.4, Not Included in O/H, w/Knuckle				
Removed .7				
9 Absorber, Shock				
Standard	22046475	m #.8		34.06
Adjustable	89-91 22064229	m #.8		353.75
92-96 22064478		m #.8		552.08
Gas	22046447	m #.8		139.36
Order by Application				
#w/Lower Control Arm Removed .1 Each, R&R Both 1.4,				
w/Electronic Control Ride One Side Add .3, Both Sides				
Add .6				
10 Bracket, Absorber	84-87 14048974-3	m #.5		28.08
#Not Included in O/H, w/Shock Removed .2				



11 Crossmember, Suspension				
1984-87	14093126	m #9.0		491.00
1988-91				
Standard	10080751	m #9.0		491.00
ZR-1	10205043	m #9.0		512.00
1992-96	10205043	m #9.0		512.00
#Includes Support Engine/Trans & R&I Steering Gear,				
Not Included in O/H				
12 Spring, Leaf	14045782	m #2.5		d485.00
Order by Application				
13 Retainer, Spring	84-87 14044557	m #2.5		11.65
88-96 10052283		m #2.5		10.24
#R&R Complete, Includes Spring, Retainer & Pad, Not				
Included in O/H, Deduct .9 for Each Lower Control Arm				
Removed				
14 Protector, Spring	14048914	m #.5		29.00
15 Pad, Spring - Not Serviced				
Included w/Leaf Spring				
#R&R Protector & Pad, Included in R&R Spring Assy				
16 Bar, Stabilizer				
Std Duty	14060132	m #1.1		d131.00
Hvy Duty	10165302	m #1.1		140.40
#Not Included in O/H, Deduct .4 for Each Lower Control				
Arm Removed				
17 Insulator, Stabilizer	14093170	m #.5		10.97
Order by Application				
18 Clamp, Insulator	84-87 14048971	m #.5		5.46
88-96 14105145		m #.5		7.64
19 Bracket, Stabilizer	84-87 14048970	m #.5		4.37
88-96 14105144		m #.5		4.37
#R&R One Side Complete, Both Sides .8, Included in				
R&R Stabilizer Bar, Not Included in O/H				
20 Link, Stabilizer	84-87 14087645	m #.7		11.23
88-96 10098150		m #.7		11.23
Insulator, Link				
21 Upper	14084097	m #.7		10.97
22 Lower	84-87 14084098	m #.7		10.97
88-96 12521520		m #.7		8.16
#R&R One Side Complete, Both Sides .9, Included in				
R&R Stabilizer Bar, Not Included in O/H				

HEATER

001-07552



1 Core, Heater		3052870	m	3.5	87.62
2 Case, Heater Core					
1984-89		3052455	m		65.00
1990-96					
Man Controls		52452744	m		20.95
Auto Controls	90-93	52452752	m		20.95
	95-96	52461983	m		20.15
3 Cover, Heater Core					
1984-89		3052963	m		65.00
1990-96					
Man Controls		52452757	m		58.25
Auto Controls		52455909	m		45.75
4 Gasket, Case		3052533	m		6.05
5 Seal, Core Tube		3052514	m		3.15

ELECTRICAL

HORN

Horn				
"A" Note	84-86	1999729	#.3	32.25
	87	10456322	#.3	37.00
	88-96	1999070	#.3	40.50
"C" Note	84-86	1999730	#.3	34.50
	87	10456323	#.3	89.75
	88-91	10456329	#.3	90.00
"F" Note	91	10456327	#.3	41.00
	92-96	1999169	#.3	40.50
<i>#R&R Both .5</i>				
Relay, Horn	84-89	25523703	.7	13.95
	90-91	14100455	.7	10.35
	92-93	14089936	.7	8.87
	94-96	12077864	.7	23.12

IGNITION

Cap, Distributor

Standard

1984

1974408

.6 ■ 15.65

1985-91

1977046

.6 ■ 22.97

1992-96-Not Serviced

Module, Ignition

Standard

16139869

.9 ■ 56.81

ZR-1

1103841

2.0 ■ 925.28

Coil, Ignition

Standard

1984-91

1985474

m .8 ■ 38.28

1992

1115468

m .8 ■ 110.00

1993-96

10477208

m .8 ■ 78.00

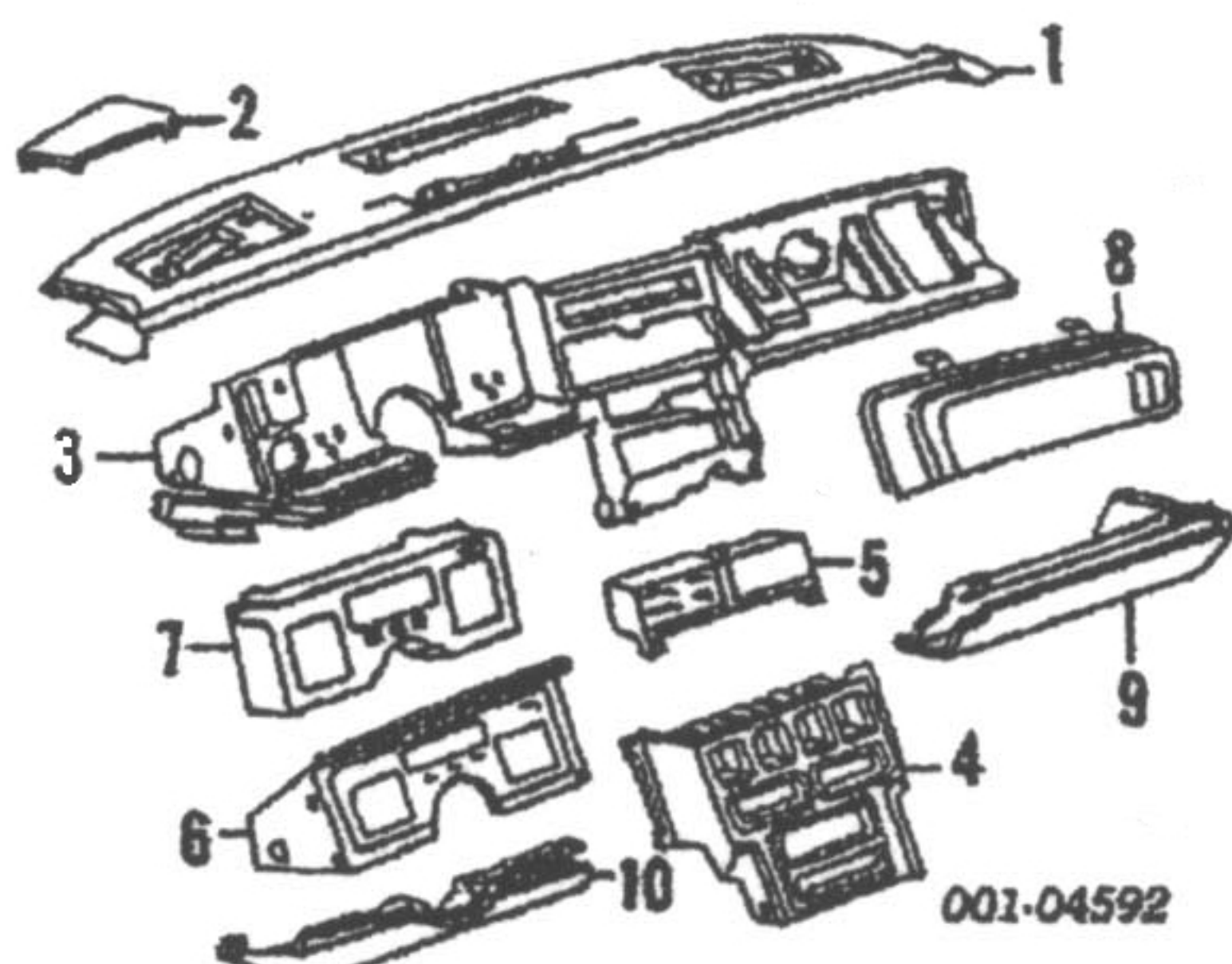
ZR-1

10467067

m 2.0 ■ 55.75

INSTRUMENT PANEL

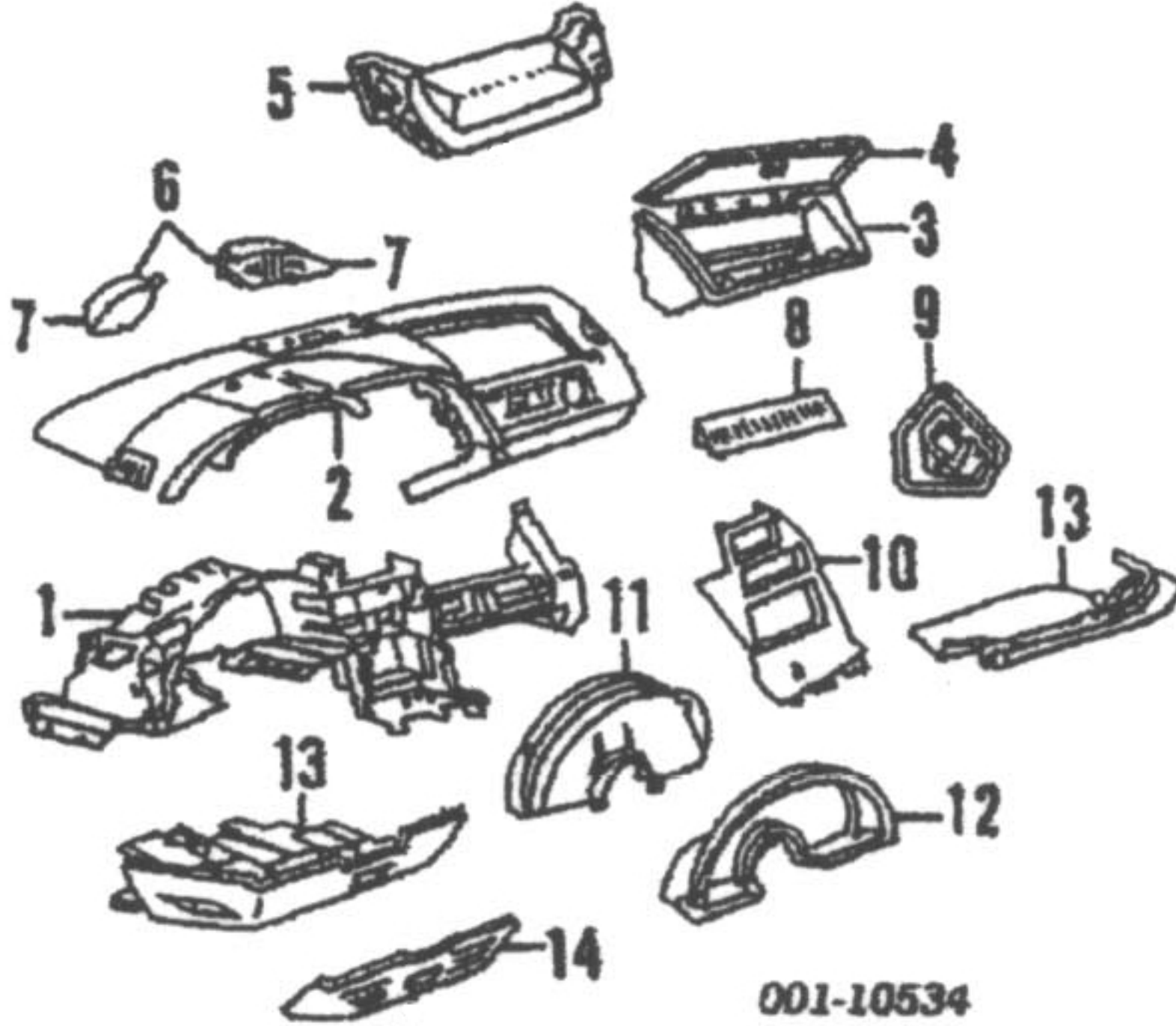
1984-89



1 Pad, Instrument Panel				
1984-85	14046647	#2.5	628.00	
1986-89	14078653	#2.5	469.00	
2 Grille, Radio Speaker	14047518-7	#2.5	18.30	
#R&R Complete				
3 Panel, Instrument	84-85 14046643	m #10.0	d130.00	
	86-89 10064350	m #10.0	148.00	
#Includes Drilling Riveted Wire Harness				
Module, Low Tire Press	89 14093187	m 1.4	d139.00	
4 Plate, Trim Accessory	10103967	#4.0	75.50	
5 Cluster, Console	87-88 25083583	m #4.0	442.00	
	89 25089614	m #4.0	355.00	
#R&R Complete, Includes Pad				
6 Plate, Trim Cluster	84-85 14047529	#2.5	d43.00	
	86-89 14078656	#2.5	84.75	
7 Cluster, Instrument	84 25076600	m #2.5	d3195.00	
	85 25079745	m #2.5	d2883.00	
	86 25080224	m #2.5	d2188.25	
	87-89 25083577	m #2.5	d3762.00	
#R&R Complete				
8 Pad, Upper Trim	14046646	1.9	205.00	
Pad, Lower Trim				
9 Right	14047482	2.3	137.00	
10 Left	14047481	.7	137.00	
¶Graphite listed, Order by Application				
Radio				
AM/FM Stereo-Cassette	12344493	.9	499.98	
Speaker, Radio	16033662	.6	28.17	
¶Order by Application				

1990-96

Refinish Lower Trim Panel6

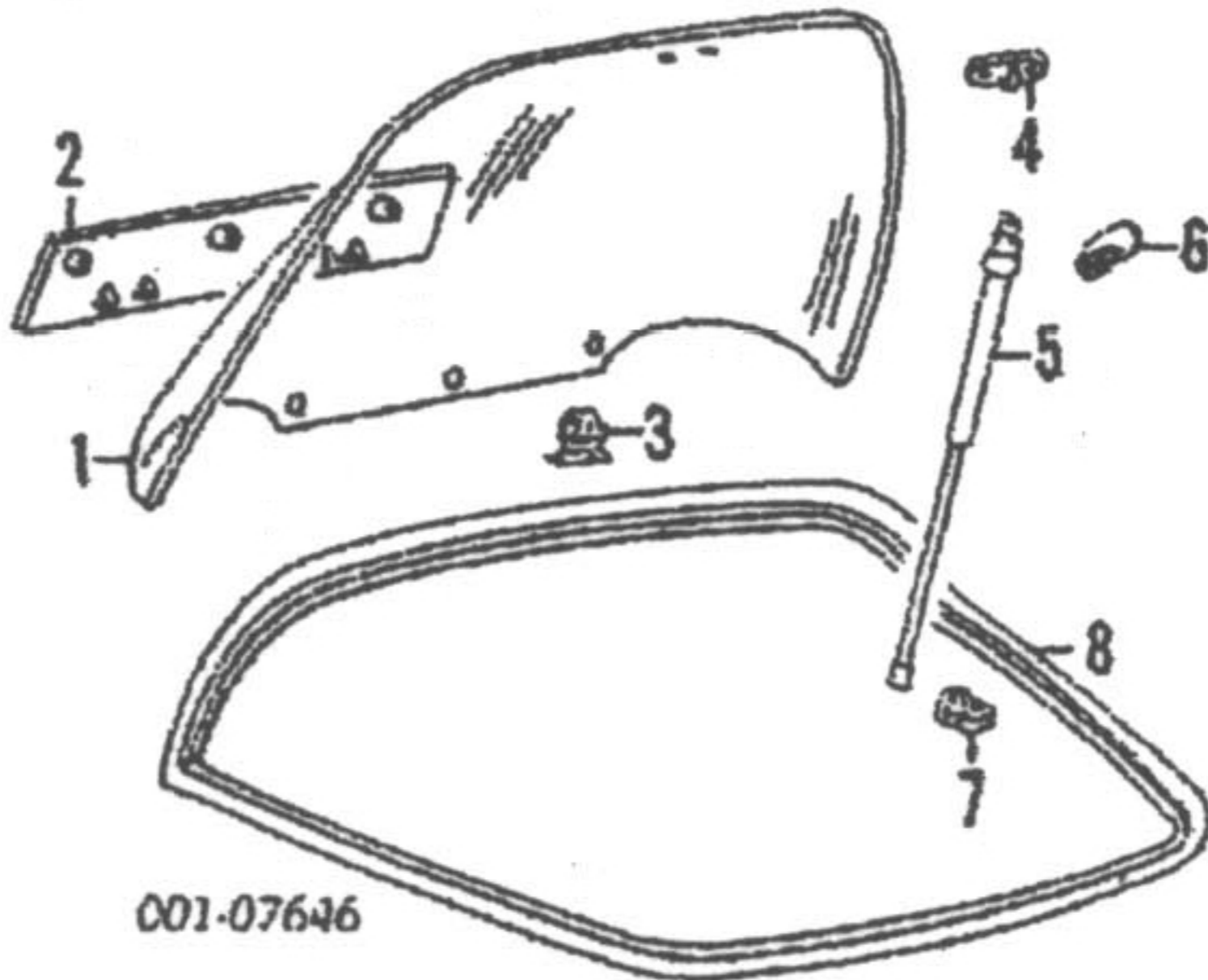


1 Panel, Instrument	90-93 10167108	m #9.0	156.00	
	94-96 10285922	m #9.0	148.00	
2 Pad, Upper	90-93 10242873	m #9.0	612.00	
	94-96 10271585	m #9.0	527.00	
¶Order by Application				
#R&R Panel & Pad Complete				
3 Compartment, Glove	90-92 10137256	#.5	25.75	
	93 10225894	#.5	25.75	
4 Lid, Compartment	90-93 10216288	#.5	102.00	
Panel, Lid Inner	90-92 10137259	#.5	19.35	
	93 10221116	#.5	19.35	
Hinge, Lid	90-93 10137257	#.5	20.30	
#R&R Complete				
5 Module, Air Bag-See Air Bag System Section				
6 Deflector, Air				
Driver Side	90-91 R 10086046	#.3	26.25	
	L 10086045	#.3	28.25	
	92-96 R 10272750	#.3	N.A.	
	L 10199753	#.3	31.00	
7 Outlet Grille	90-91 R 10085931	#.3	10.35	
	L 10085930	#.3	9.10	
	92-93 10199768-9	#.3	35.25	
	94-96 R 10251301	#.3	18.75	
	L 10161885	#.3	12.85	
8 Passenger Side	90-91 10199754	#.3	64.50	
	92-93 10199754	#.3	64.50	
	94-96 10263246	#.3	60.75	
#R&R Deflector & Grille One Side				
9 Panel, Side Trim				
Right Only	90-93 10267755	.9	17.55	
	94-96 10267755	.9	17.55	
Module, Low Tire Press				
	1990-92 10143565	m 1.4	159.00	
	1993-96 10161858	m 1.4	159.00	
10 Plate, Accessory Tray				
Standard	90-91 10085911	.7	30.25	
	92-93 10233785	.7	22.85	
	94-96 10262830	.7	22.85	
ZR-1	90 10086273	.7	30.25	
	91 10177904	.7	48.75	
	92-95 10233781	.7	95.50	
11 Cluster, Instrument				
Standard	90 16133431	m 1.5	d2419.00	
	91 16142451	m 1.5	d794.00	
	92-93 16158831	m 1.5	d903.00	
	94-96 16168041	m 1.5	979.00	
ZR-1	90-91 16142481	m 1.5	d917.00	
	92-93 16158841	m 1.5	d938.00	
	94-95 16168051	m 1.5	965.00	
Display, Driver Info				
	1990-Not Serviced			
	1991 16142541	m 1.3	d227.00	
	1992-93 16157161	m 1.3	d262.00	
	1994-95 16168061	m 1.3	262.00	
	1996 N.A.	1.3	N.A.	
12 Bezel, Cluster	10253257	.4	34.25	
13 Panel, Lower Trim				
Right				
1990-93 (P)	10086210	#.5	26.25	
1994¶	10214470	#.5	119.00	
Left¶	10193746	#.5	119.00	
(P) Paint to Match				
¶Black listed, Order by Application				
14 Pad, Driver's Knee	90-91 10172459	#.5	91.50	
	92-96 10251819	#.5	91.50	
#R&R Lower Trim Panels & Knee Pad				
Control, Radio (a)				
AM/FM-Cassette				
w/Bose	16172711	.9	568.73	
w/o Bose	16172701	.9	532.48	
AM/FM-Cassette/CD	16172721	.9	1121.21	
Receiver, Radio (a)				
w/Bose	16141351		d357.90	
w/o Bose	16169551		224.57	
(a) Order by Application				

LIFTGATE

Use Procedure Explanations 25 and 28 with the following text.

Refinish Hinge Panel.....	.5
R&I Liftgate Glass6



1 Glass, Liftgate
Chevrolet
Heated

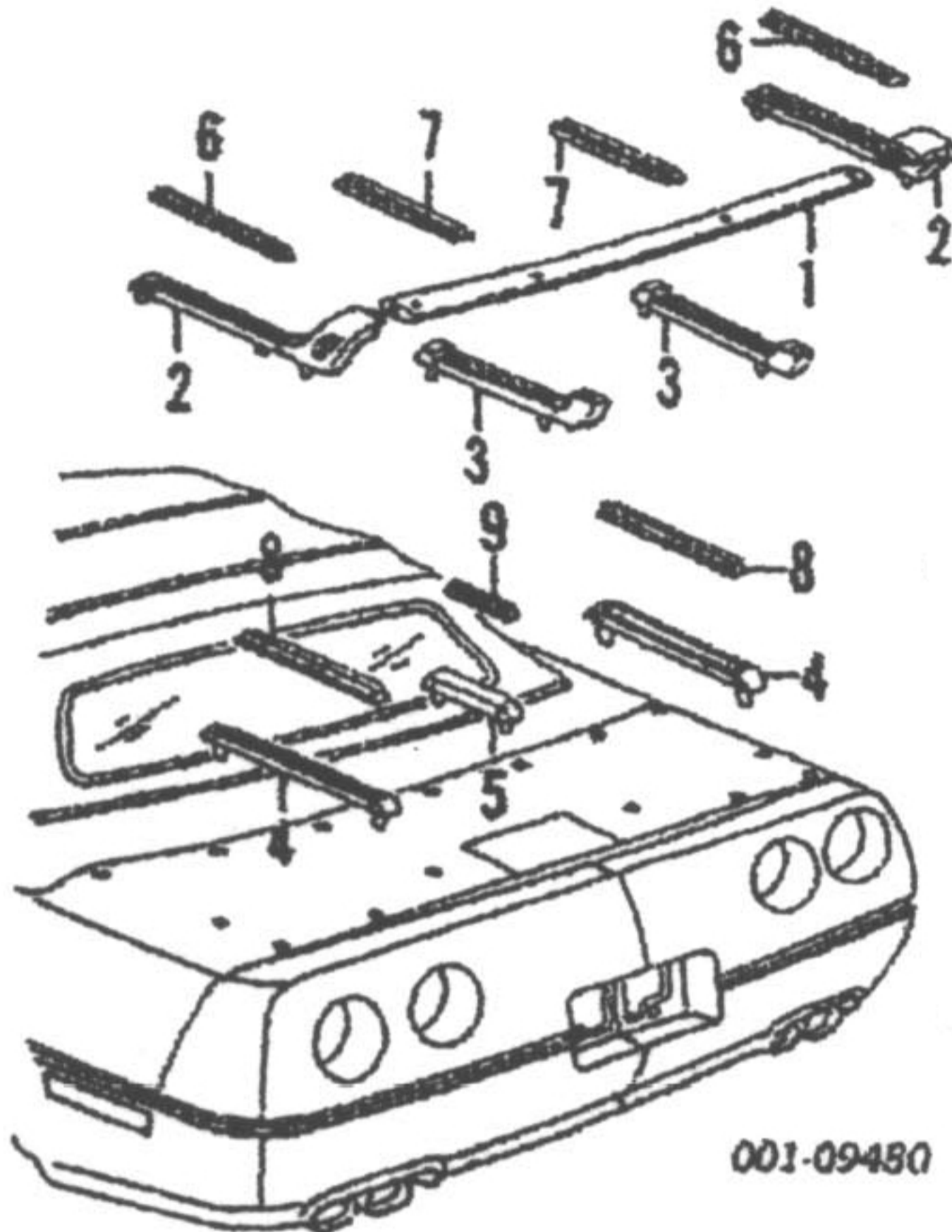
1984-85		12523677	1.0	1708.00
1986-90		12523679	1.0	1581.00
1991-95				
Standard		12523677	1.0	1708.00
ZR-1		12523679	1.0	1581.00
1996		12523677	1.0	1708.00
Non-Heated	84-85	14070261	1.0	d1088.00
	86-88	14091500	1.0	1228.00

NAGS-Green
Heated

1984-85		DB06557GTY	1.0	3877.35
1986-90		DB07111GTY	1.0	3548.90
1991-95				
Standard	91-93	DB07872GTY	1.0	3877.35
	94-95	DB08698GTY	1.0	3877.35
ZR-1		DB07889GTY	1.0	3162.05
1996		DB08698GTY	1.0	3877.35
Non-Heated	84-85	DB06558GTY	1.0	N.A.
	86-88	DB07112GTY	1.0	2455.60

LUGGAGE RACK

R&I Rack Assy 1.2



001-09480

Rack Assy	12341091	1.6	144.90
1 Rail, Rear Cross	10137243	#.3	81.75
<i>#w/Rail Outer Support Removed</i>			
2 Support, Rail Outer	10212724-3	.3	53.50
3 Support, Rail Inner	10137233	#.3	47.75
4 Slat, Outer	10137237	#.3	37.75
5 Slat, Center	10137240	#.3	36.25
6 Pad, Outer Support	10137247	#.3	2.15
7 Pad, Inner Support	10137247	#.3	2.15
8 Pad, Outer Slat	10137247	#.3	2.15
9 Pad, Center Slat	10137248	#.3	1.45
<i>#R&R One Support or Slat Complete w/Rear Cross Rail Removed</i>			

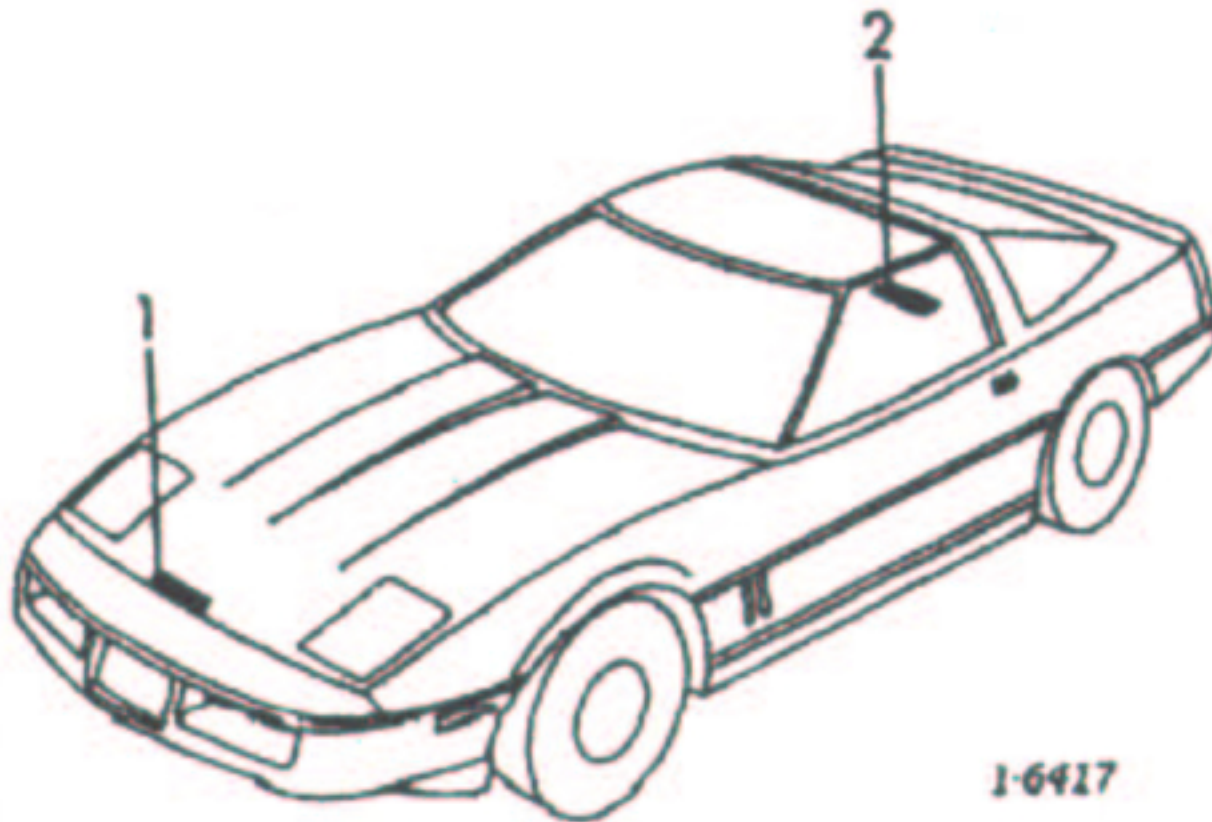
PAINT CODE LOCATION

Paint code located on left hinge pillar, luggage compartment cover or on center console.

CLEAR COAT IDENTIFICATION

All colors are clear coat. All door jambs & pillars are clear coat.

INFORMATION LABELS



1-6417

1 Labels on Shroud¶

Fan Caution	10120010	7.50
Belt Routing	10077567	7.50
Emission Information	10079621	7.50

2 Labels on Rear Storage Compartment¶

Tire Information	14084073	d7.50
Jack Information	10075210	7.50
Tire Storage Information	14084074	7.50

SIR¶

Information	10239927	7.50
Service Notice	10247726	7.50

¶Order by Application

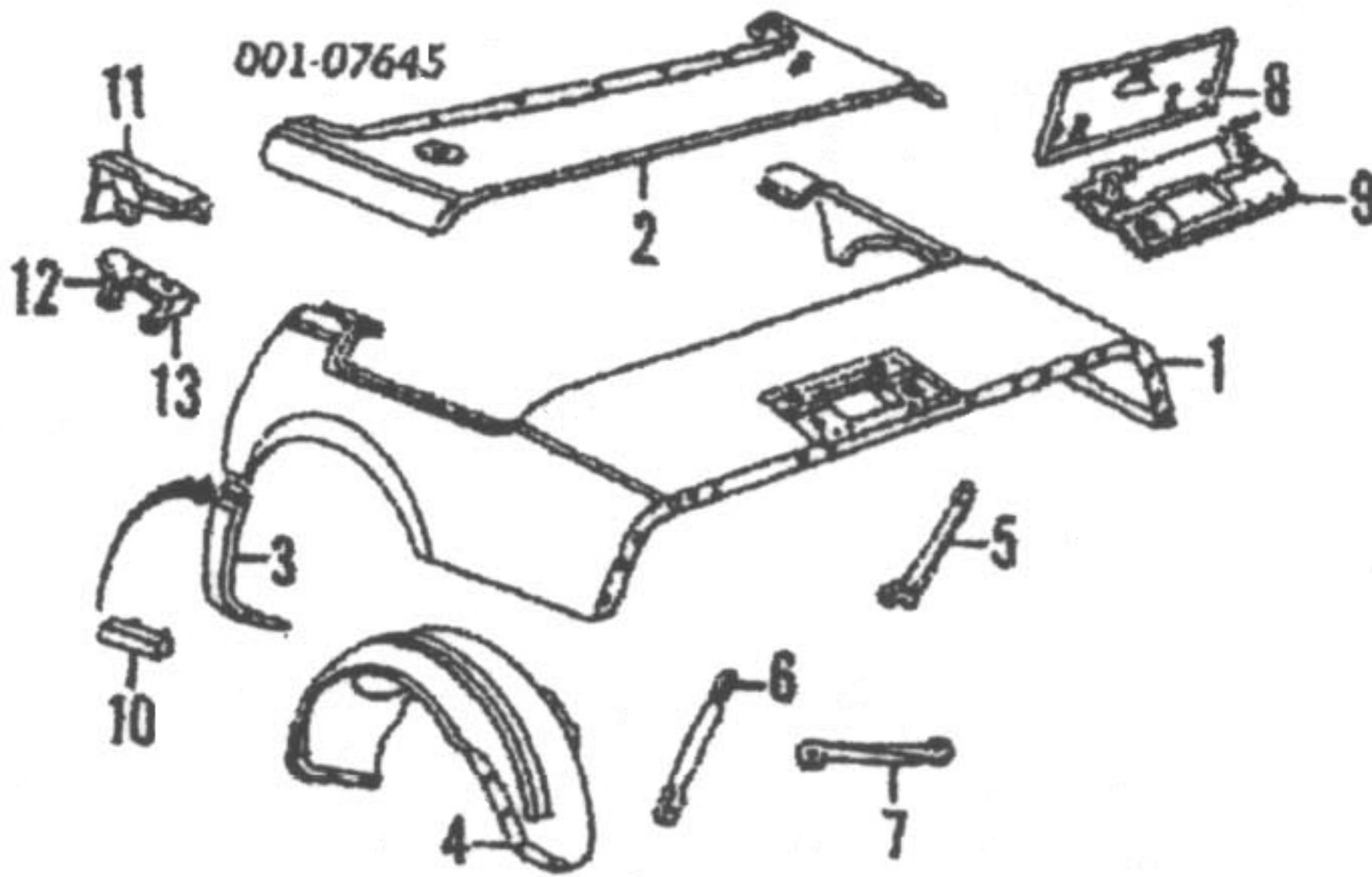
Tire, Low Pressure

Front	10180847	7.50
Rear	10180848	7.50

QUARTER PANEL

CONVERTIBLE

Refinish Quarter Complete.....	#3.8
Add to Edge.....	1.0
#Includes Fuel Door, Does Not Include Lower Panel or Top Stow Lid	
Refinish Lower Panel8
Refinish Fuel Door.....	.5
Refinish Quarter Moulding2
Refinish Lock Pillar Trim Panel.....	.3

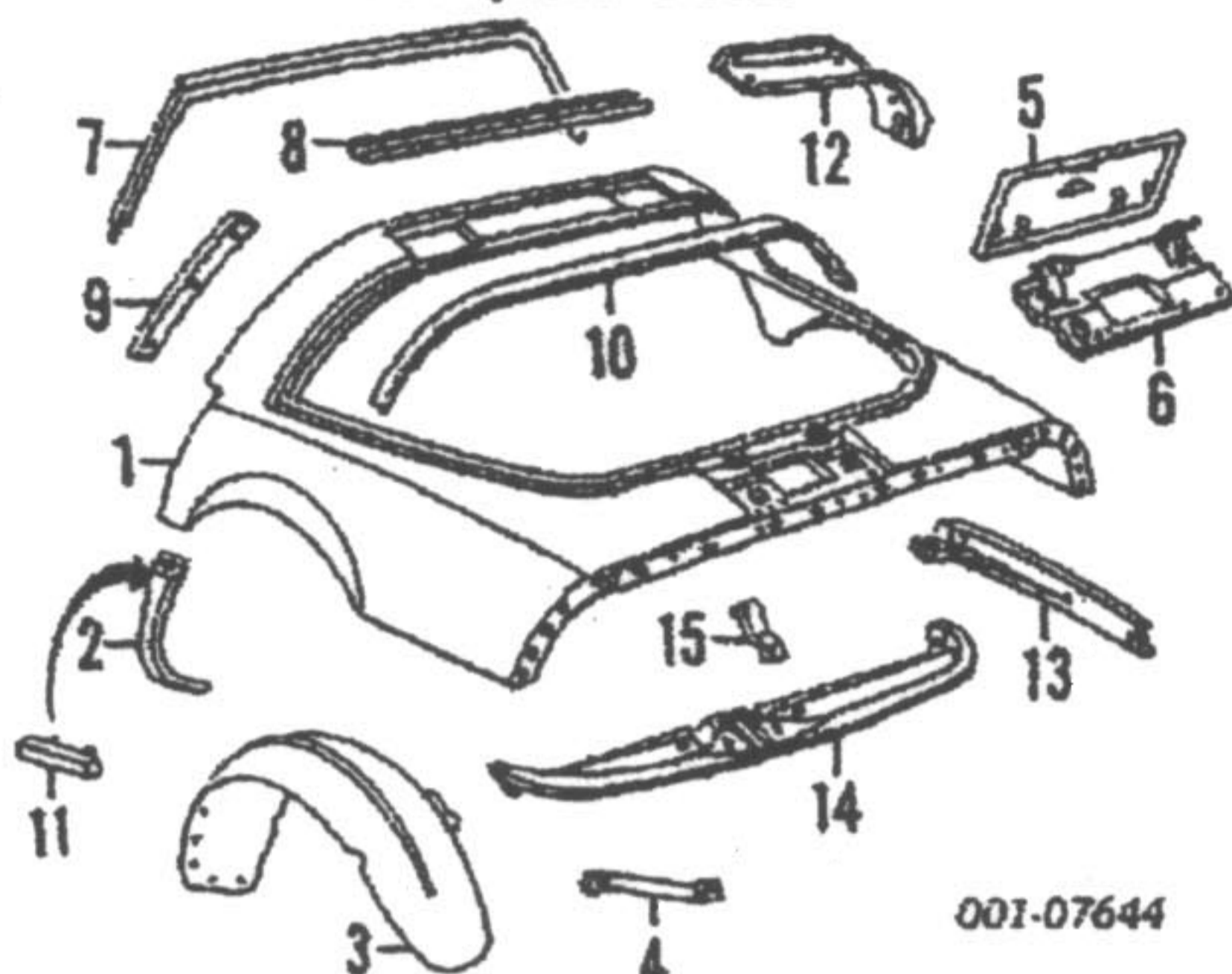


1 Panel, Quarter Upper	14092651	#22.5	1745.00
<i>#w/Bumper, Folding Top Assy & Convertible Tow Stow Lid Removed, Includes Drilling Bumper Mounting Holes</i>			
2 Lid, Top Stow-See Convertible Top Section			
3 Panel, Quarter Lower	10255086-5	#1.0	30.50
<i>#w/Rocker Moulding Removed, Includes R&R Quarter Moulding & Splash Shield</i>			
4 Shield, Splash	86-96 10135988-7	.6	40.00
Brace, Quarter Upper			
5 Front	86-92 10125922-1	.2	5.10
6 Rear	86-88 10051844-3	.2	d29.00
7 Brace, Shield			
1986	14064520-19	.2	d5.65
1987-96	10051888-7	.2	9.45
<i>Order by Length</i>			
8 Door, Fuel Filler	10107910	#.3	249.00
<i>#Includes R&R Emblem</i>			
9 Bezel, Fuel Door	84-95 10125967	#.4	223.00
	96 10271452	#.4	188.00
<i>#Includes R&R Fuel Filler Door Emblem, Filler Door</i>			
1984-95			
Black			
1986-90	14060260	.1	26.00
1991-92	10209061	.1	19.80
1993			
w/40th Anniversary	10198700	.1	19.80
w/o 40th Anniversary	10209061	.1	19.80
1994-95	10209061	.1	19.80
White (35th Anniversary)	10123019	.1	41.50
1996			
Standard	10209061	.1	19.80
Collectors Edition	10254345	.1	24.85
Grand Sport	10198700	.1	19.80
10 Moulding, Quarter			
1986-90			
Black	14043100-099	#.2	19.75
White (Anniversary)	10123010-09	#.2	d18.95
1991-96 (P)	10174902-1	#.2	31.25
<i>#w/Splash Shield Removed</i>			
11 Panel, Lock Pillar Trim			
1986-89 (P)	14100368-7	.3	42.00
1990-93	10103850-1	.3	42.00
1994-96	10212822-1	.3	3.75
<i>(P) Paint to Match</i>			
<i>Black listed, Order by Application</i>			
Seal, Pillar Upper Trim			
12 Front	14092684-3	.3	46.50
13 Rear	R 14100366	.3	41.00
	L 14100365	.3	35.50

QUARTER PANEL

COUPE

Refinish Quarter Complete.....	#4.9
<i>#Includes Fuel Door, Does Not Include Lower Panel</i>	
Add to Edge.....	1.0
Refinish Quarter Outside.....	#2.8
<i>#Does Not Include Fuel Door or Lower Panel</i>	
Add to Edge.....	.7
Refinish Lower Panel.....	.8
Refinish Fuel Door.....	.5
Refinish Quarter Moulding.....	.2
R&I Quarter Moulding.....	#.7
<i>#Includes R&R Splash Shield</i>	



1 Panel, Quarter Upper			
Complete			
Standard	14104977	#22.5	1325.00
ZR-1	14104978	#22.5	1325.00
<i>#w/Bumper Assy, Roof Panel & Rear Glass Removed, Includes Drilling Bumper Mounting Holes</i>			
Side			
Standard	R 12522020	#12.0	636.00
	L 12522021	#12.0	636.00
<i>ZR-1-Not Serviced #w/Bumper Assy Removed, Includes Drilling Bumper Mounting Holes</i>			
2 Panel, Quarter Lower			
Standard	10255086-5	#1.0	30.50
ZR-1	10255088-7	#1.0	27.75
<i>#w/Rocker Moulding Removed, Includes R&R Quarter Moulding & Splash Shield</i>			
3 Shield, Splash			
Standard	84-90 10135988-7	.6	40.00
	91-96 10135988-7	.6	40.00
ZR-1	14104592-1	.6	36.00
4 Brace, Shield			
Standard			
	1984-86¶		d5.65
	1987-96		9.45
ZR-1	14104632-1		9.45
<i>¶Order by Length for 1986</i>			
5 Door, Fuel Filler			
	14047485	#.3	128.00
<i>#Includes R&R Emblem</i>			
6 Bezel, Fuel Door			
Standard	84-95 10279992	#.4	110.00
	96 10279992	#.4	110.00
ZR-1	10271451	#.4	110.00
<i>#Includes R&R Fuel Filler Door</i>			
Emblem, Filler Door			
1984-95			
Black			
	1984-90 14060260	.1	26.00
	1991-92 10209061	.1	19.80
1993			
	w/40th Anniversary 10198700	.1	19.80
	w/o 40th Anniversary 10209061	.1	19.80
	1994-95 10209061	.1	19.80
	White (35th Anniversary) 10123019	.1	41.50
1996			
	Standard 10209061	.1	19.80
	Collectors Edition 10254345	.1	24.85
	Grand Sport 10198700	.1	19.80
	10283997	.7	211.00
7 Weatherstrip, Roof Retainer, Weatherstrip			
8 Upper	14049242	#.3	21.00
9 Side	14049248-7	#.2	13.80
<i>#w/Weatherstrip Removed</i>			
10 Windlace, Liftgate	10104026		18.70
11 Moulding, Quarter			
1984-90			
Black			
	Standard 14043100-099	#.2	19.75
	ZR-1 14104448-7	#.2	10.75
	White (Anniversary) 10123010-09	#.2	d18.95
1991-95 (P)			
	Standard 10174902-1	#.2	31.25
	ZR-1 10174882-1	#.2	31.25
	1996 10174902-1	#.2	31.25
<i>(P) Paint to Match #w/Splash Shield Removed</i>			
Panel, Inside Trim			
12 Upper¶	R 12509348	.3	63.25
	L 12508061	.3	35.50
13 Side (a)	10193738-7	.2	31.75
14 Rear (a)	10282934	.3	33.50
<i>¶Black listed, Order by Application (a) 1984-90 Models are Retrofit Must Replace Side & Rear Panels as Set</i>			
15 Bracket, Rear Panel (2)			
Cover, Luggage Shade	14088417		3.35
Bracket, Cover	10251020	#.3	135.00
	14049030-29	#.3	10.90
<i>#R&R Complete</i>			
Hsg, Cargo Lamp	16501568-7	.3	7.05
Lens, Cargo Lamp	16513254-3	.1	19.70
Latch, Hatch Window	14089676	#.4	32.00
Retainer, Latch (2)	10241865	#.4	7.30
<i>#R&R Complete</i>			
Cable, Latch Release	10238313	.6	57.00

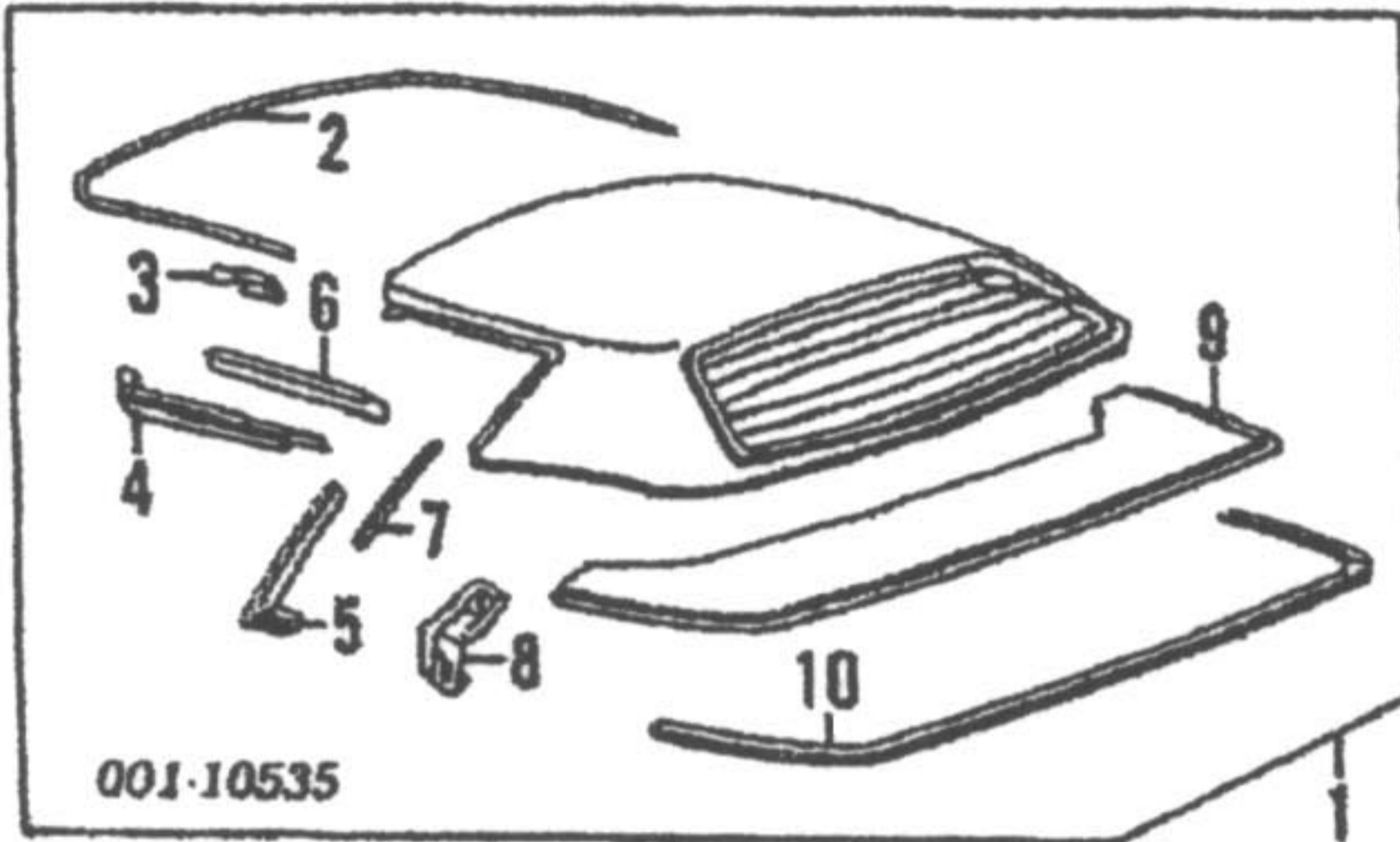
REAR BUMPER

	White		10123014-3	.8	d61.00
	<i>Anniversary Edition-1988</i> <i>(P) Paint to Match</i>				
	Nameplate				
5	"CORVETTE"	84-90	14089662	.7	26.75
		91-92	10172319	.7	24.95
		93-95	10198686	.7	24.95
		96	N.A.	.7	N.A.
6	"ZR-1"	90-92	10146447	.7	13.05
		93-95	10198688	.7	8.20
	<i>Red listed, Order by Application</i>				
	Retainer, Cover				
	Front Side				
7	Upper		14100248		9.35
8	Lower				
	Standard	84-89	14046704		10.95
		90	10149276-5		9.00
		91-96	10149214-3		9.00
	ZR-1		10149276-5		9.00
	Back Upper				
9	Outer				
	Standard		14076532-1		17.94
	ZR-1		14104194-3		9.78
10	Inner				
	Standard		14046629		26.00
	ZR-1		14104190		13.52
	Reinf, Cover				
11	Outer				
	Standard	84-90	14069616-5		6.40
		91-96	14104202		4.63
	ZR-1		14104202		4.63
12	Inner				
	Upper				
	Standard	84-89	14069614		9.00
13	Lower				
	Standard	89-96	10132965		3.43
	ZR-1		10132965		3.43
14	Support, Cover				
	Standard		14100242-1		10.14
	ZR-1		14104594-3		21.30
	Spacer, Cover				
	Standard (4)		14049001		2.30
	Retainer, Push-In				
		84-86	5973400		.62
	<i>As Required</i>				
15	Absorber, Impact				
	Standard	84-90	16504370	IOH	127.45
		91-96	16519012	IOH	121.57
	ZR-1	90-95	16519012	IOH	121.57
16	Bar, Impact				
	1984-90		10153670	IOH	1040.00
	1991-92		10153670	IOH	1040.00
	1993				
	1st Design		10153670	IOH	1040.00
	2nd Design		10246744	IOH	1040.00
	1994-96		10246744	IOH	1040.00
	Cover, License Opening				
	1984-88		14076540	.3	10.75
	Bracket, License				
	Standard	91-96	10146492	.3	17.68
	ZR-1		16509671	.3	41.08

REMOVABLE HARDTOP

Refinish Removable Top	2.9
Add for Edge8
Refinish Cover Lid Outside	2.3
Add for Underside & Edge8
R&I Back Window Glass	#2.3

#Includes Clean Up Old Adhesive as Necessary

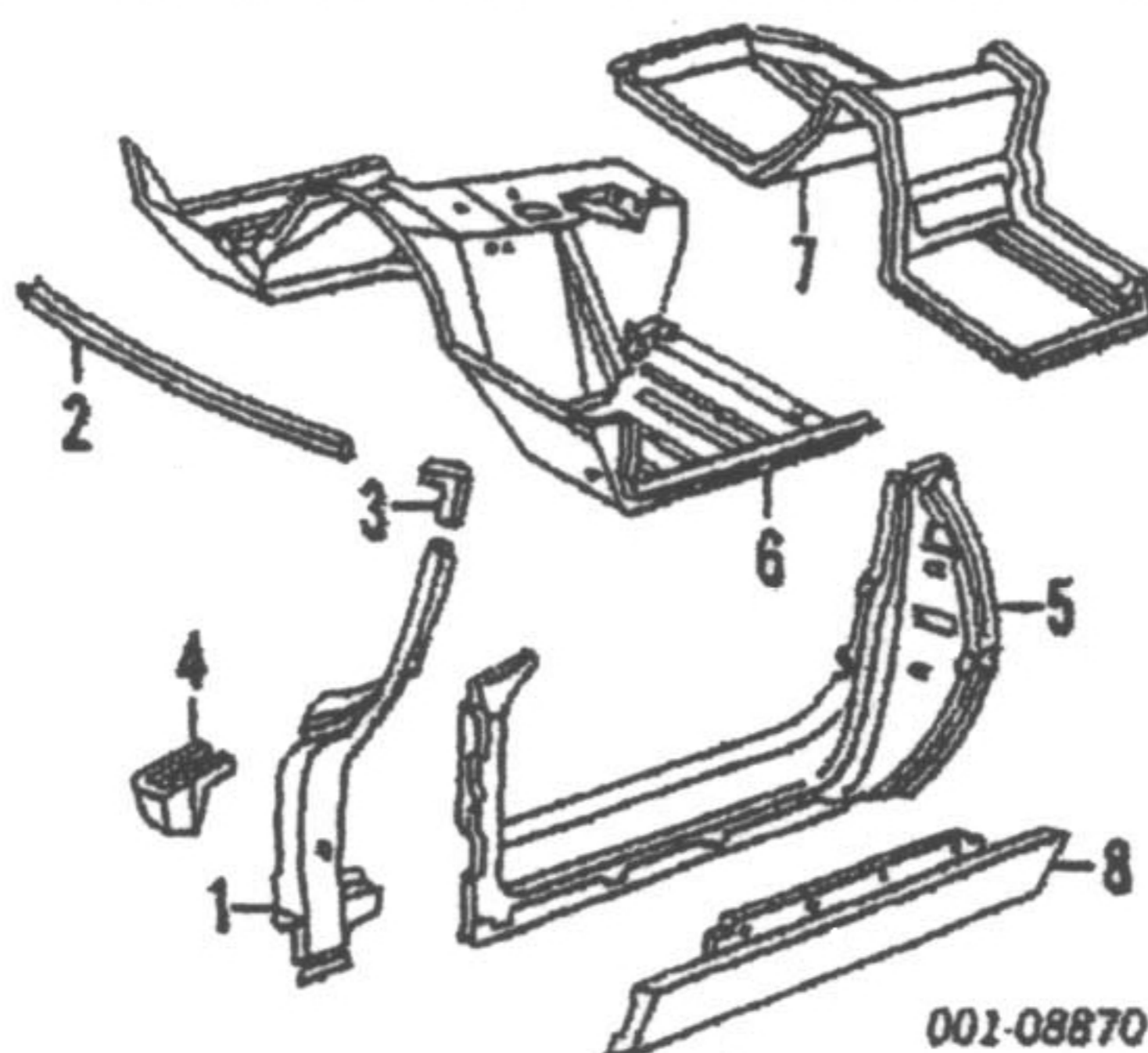


1 Top, Removable¶		12508700	3.9	3329.00
	¶ 1986-88 Requires Attachment Pkg to Retrofit			
2 Moulding, Roof¶		14047510	.9	32.00
Glass, Back Window¶		10123050	#2.0	268.00
	#Includes Clean Up Old Adhesive as Necessary			
Headliner¶		10123059	1.1	268.00
3 Guide, W/Strip¶	86-91 R	10217224	#.6	14.00
	L	14076541	#.6	14.00
	92-96	10217224-3	#.6	14.00
4 W/Strip, Upper¶		10123052-1	#.6	200.00
5 W/Strip, Rear¶		10123056-5	#.6	147.00
Retainer, Weatherstrip¶				
6 Upper		10137752-1	#.6	53.00
7 Rear		10123054-3	#.6	36.25
	#R&R Upper or Lower Complete, R&R Upper & Lower			
	One Side 1.0			
8 Bracket, Pillar¶		10137786-5	.4	46.00
9 Cover, Lid¶		10137777	.8	329.00
10 Weatherstrip, Cover¶		10123058	.6	233.00
	¶ Included w/Removable Top			
Attachment Pkg	86-88	12341183		455.00
Mldg, Back Window		10123057	.3	44.00

ROCKER/PILLARS/FLOOR

Use Procedure Explanations 14,15 and 28 with the following text.

Refinish Hinge Pillar	1.0
Refinish Door Opening Panel	1.9
Refinish Sill Plate Pad4
Refinish Rocker Finish Panel.....	1.4



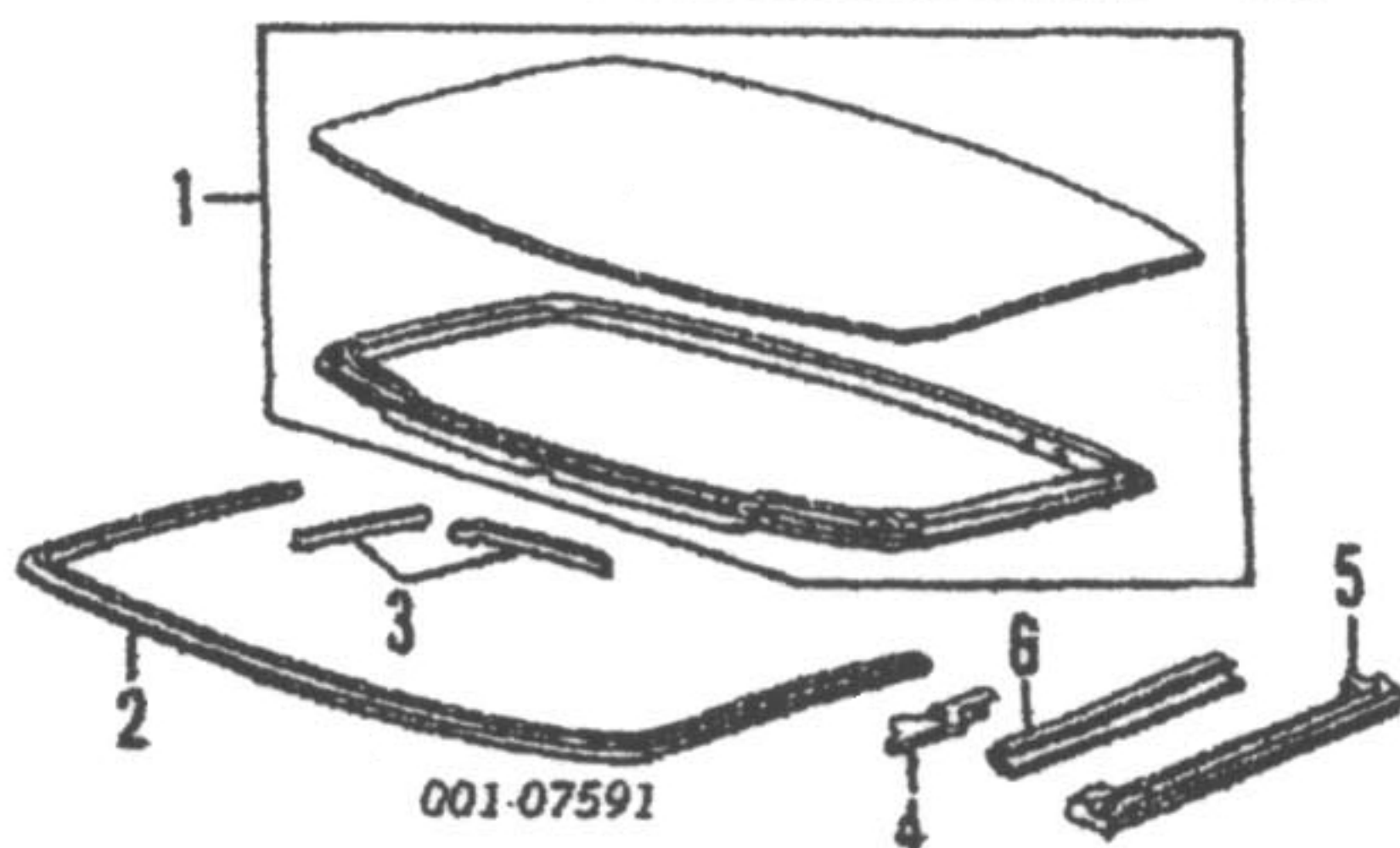
1 Pillar, Hinge	84-89	14069820-19	#5.5	d205.00
	90-93 R	12512654	#5.5	223.00
	L	12512655	#5.5	235.00
	94-96 R	12512654	#5.5	223.00
	L	12512655	#5.5	235.00
#w/Fender, Door & Windshield Removed				
Frame, Windshield				
2 Upper		10208501	#2.5	47.25
3 Upper Corner		14069810-09	#2.5	50.00
#R&R Complete, w/Windshield Removed				
Lower-See Cowl & Dash Section				
4 Supt, Hood Latch	84-87	14046734-3		13.55
	88-89 R	10225268		14.30
	L	10123071		14.70
	90-93	10225268-7		14.30
	94-96	10225268-7		14.30
¶Included w/Hinge Pillar				
5 Frame, Door Opening	R	10228730	#10.8	114.00
	L	10228729	#10.8	114.00
#w/Necessary Bolted Parts & Surround Panels				
Removed				
Extension, Frame				
ZR-1		10175534-3		23.10
Panel, Floor				
6 Front				
Man Trans	84-88	14100238		d336.00
	89	14104869		349.00
	90-94	10248661		281.00
	95-96	10248661		281.00
Auto Trans	84-88	14100237		d336.00
	89	14104870		349.00
	90-96	10248660		349.00
7 Center	84-87	10067390		d290.00
	88-96	10198704		145.00
Plate, Door Sill (b)	84-87 R	14058256	.3	d41.75
	L	14089603	.3	d44.00
	88-89 R	10095150	.3	d56.25
	L	10095149	.3	63.75
	90-91	10172456-5	.3	33.50
	92	10175674-3	.3	141.00
	93	10211926-5	.3	141.00
	94-96	10238578-7	.3	141.00
Trim, Door Sill (b)	88-90	10175780-79	.3	10.70
	91	10175782-1	.3	10.70
	92-96	10175614-5	.3	10.70
(b) Order by Application				
Pad, Sill Plate (P)	84-87	14047500-499		21.95
8 Panel, Rocker Finish				
Outer (P)				
Standard	R	10077416	.5	105.00
	L	10077415	.5	105.00
ZR-1	R	14104174	.5	105.00
	L	14104173	.5	105.00

(P) Paint to Match

ROOF

COUPE

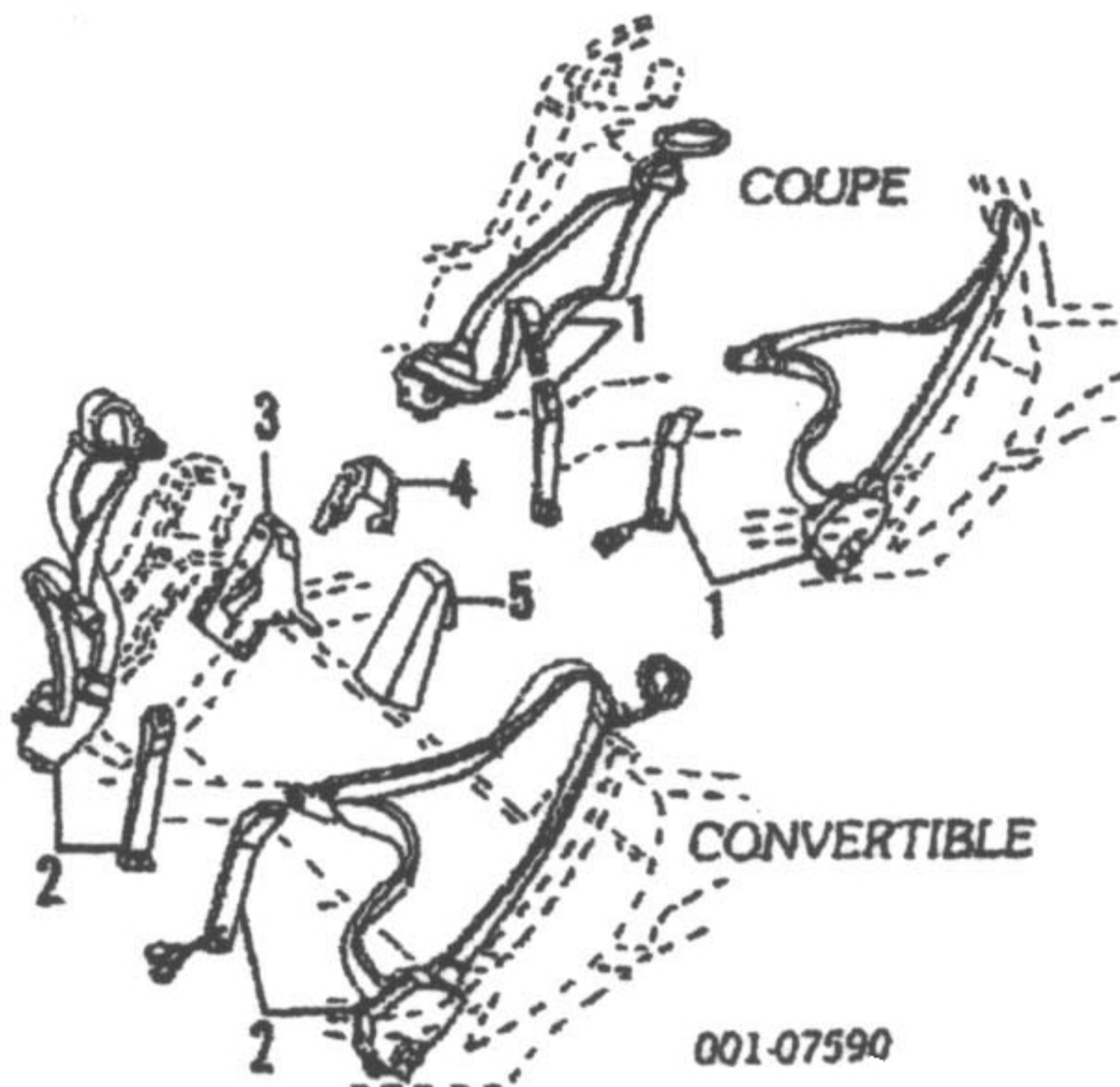
Refinish Roof Outside..... 2.3



1 Panel, Roof				
Painted				
1984-88				
1st Design¶		12344791	1.3	1029.83
2nd Design (a)		12344790	1.3	1029.83
1989-93		12344791	1.3	1029.83
1994-96		12344791	1.3	1029.83
Glass				
1984-88				
1st Design¶				
Blue		14091372	1.3	1866.00
Bronze		12370124	1.3	1029.83
2nd Design (a)				
Blue		12344792	1.3	1029.83
Bronze		12344793	1.3	1029.83
1989-96				
Blue		12370123	1.3	1029.83
Bronze		12370124	1.3	1029.83
¶Latch Bolt Located on Inside Edge of Brkt				
(a) Latch Bolt Located in Center of Bracket				
2 Moulding, Panel		14047510	#.3	32.00
Panel, Inner Trim				
1st Design (b)	84-85	14088426	#.3	d181.00
2nd Design (c)	85-96	14081890	#.3	190.00
(b) Rear Corners Have Rounded Cut Out				
(c) Rear Corners are Cut Off Diagonally				
#Included in R&R Roof Panel				
3 Pad, Roof Panel Frame				
Side		14100214		10.25
Rear		14090614-3		10.25
4 Guide, Panel	84-91 R	10217224		14.00
	L	14076541		14.00
	92-96	10217224-3		14.00
5 W/Strip, Roof		22112054-3	#.3	76.75
6 Retainer, W/Strip		14049246-5	#.3	17.40
#R&R Complete				

SEAT BELTS

Refinish Guide Cover3



Belt Assy¶				
1	Coupe	R	12516948	#.3 59.00
		L	12516946	#.3 59.00
2	Convertible	R	12516949	#.3 79.25
		L	12516947	#.3 79.25

¶Order by Application
#w/Seat Removed

3	Reinf, Anchor (a)	86-96	R	10165400	17.25
			L	10153663	17.25
4	Panel, Anchor (a)	86-89	14100310-09		20.05
5	Carpet, Anchor (a)¶		10089524-3		14.65

(a) Convertible Only

¶Gray listed, Order by Application				
	Cover, Guide (P)		20293352	4.55
	(P) Paint to Match			

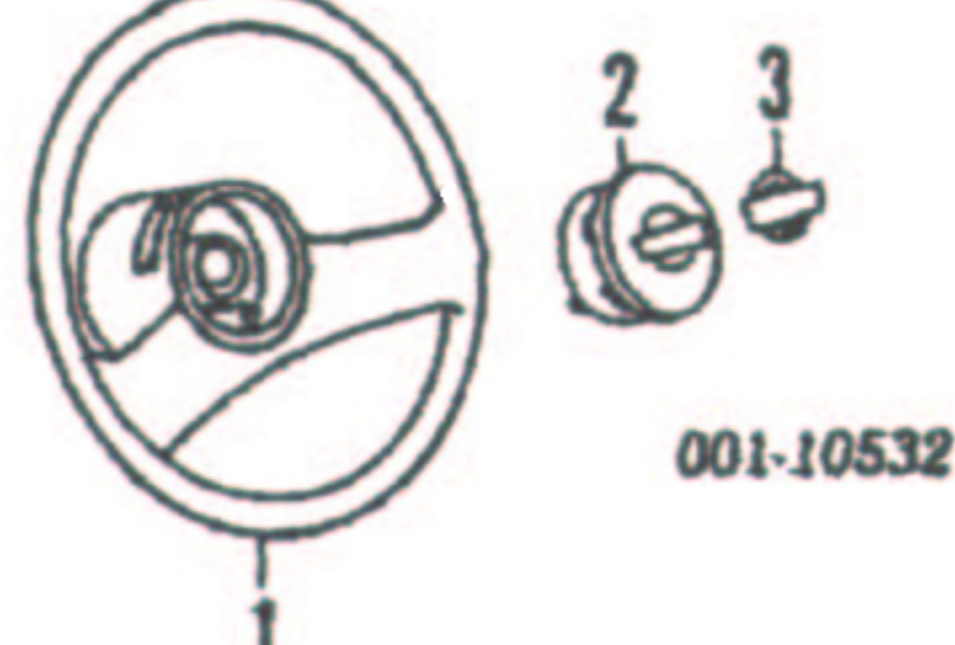
STEERING PUMP

Pump						
Standard	84-91	26021469	m	1.6	320.00	
	92-93	26045538	m	1.6	320.00	
	94-95	26045538	m	1.6	320.00	
	96	26045659	m	1.6	320.00	
	ZR-1	90	26021470	m	2.6	320.00
		91	26021470	m	2.6	320.00
		92-95	26027066	m	2.6	320.00
Pulley, Pump						
Standard	1984-91	14055114	m	#.1	26.50	
	1992	10186172	m	#.1	26.50	
	1993					
	Plastic	10186172	m	#.1	26.50	
	Steel	10227069	m	#.1	26.50	
	1994-96	10227069	m	#.1	26.50	
	ZR-1	10067476	m	#.1	34.00	
	#w/Belt Removed					
Reservoir						
Standard	84	14076166	m	.7	22.95	
	85-89	14084029	m	.7	■27.75	
	90-91	7849151	m	.7	■41.50	
	ZR-1	92-96	26024352	m	.7	■41.00
			26017982	m	.7	■87.75
Hose, Fluid Pressure						
Standard	84-87	26002387	m	1.3	76.96	
	88-90	26020315	m	1.3	76.96	
	91	26027177	m	1.3	76.96	
	92-93	26025064	m	1.3	76.96	
	94	26025064	m	1.3	76.96	
	95-96	26025064	m	1.3	76.96	
	ZR-1	26025628	m	1.3	76.96	
Return						
Standard	84	14050021	m	.8	17.73	
	85-89	14084031	m	.8	13.68	
	90-91	10098144	m	.8	13.68	
	92-95	26025172	m	.8	31.00	
	96	26047453	m	.8	31.00	
	ZR-1	14104628	m	.8	13.68	
Pipe, Fluid Cooling Cooler, Steering Fluid						
Standard	88-90	10052268	m	.6	10.15	
	87	26004494	m	1.0	d134.00	
	88-89	26005450	m	1.0	121.00	
	90-91	26027162	m	1.0	149.00	
	92-96	26033166	m	1.0	149.00	
ZR-1	90-91	26016988	m	1.0	149.00	
	92-95	26033592	m	1.0	320.00	

¶Includes Mounting Bracket

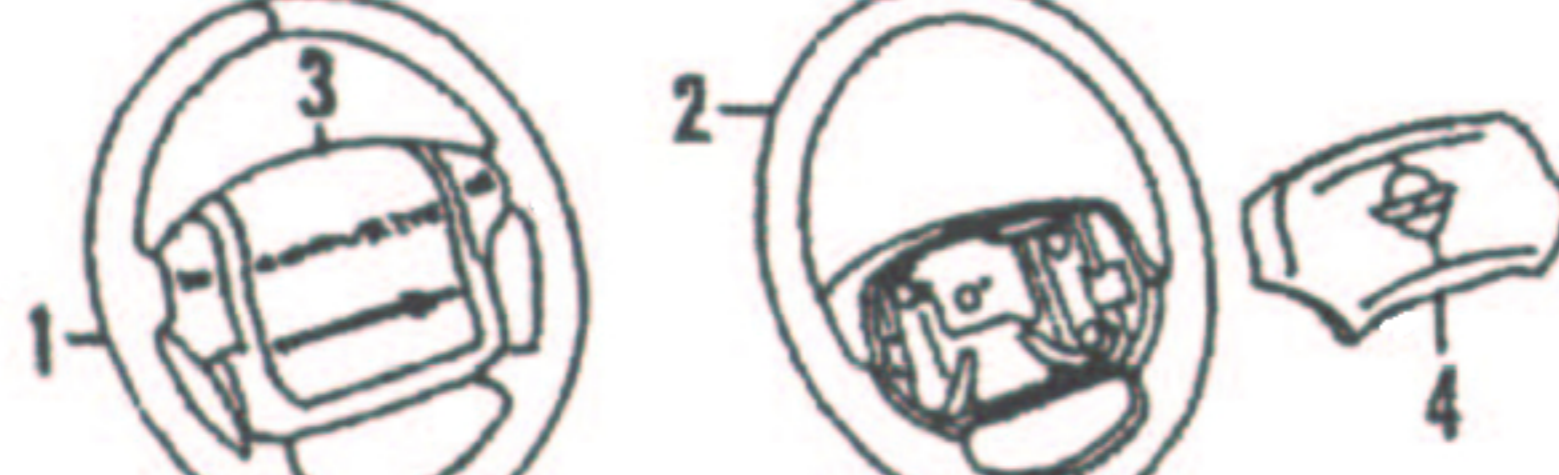
STEERING WHEEL/COLUMN

WHEEL & TRIM 1984-89



1 Wheel, Steering w/o Air Bag					
Black	84-85	9768988	m	.5	529.00
	86-89	17983971	m	.5	519.00
White (Anniversary)	88	17989518	m	.5	519.00
2 Cap, Horn					
Black	84-85	9768586	m	#.2	78.25
	86-89	17983747	m	#.2	54.00
White (Anniversary)	88	17989742	m	#.2	76.75
3 Emblem, Cap					
Standard	84-89	9769808	m	#.2	22.90
Anniversary	88	17989520	m	#.2	22.90
#R&R Complete					

WHEEL & TRIM 1990-96

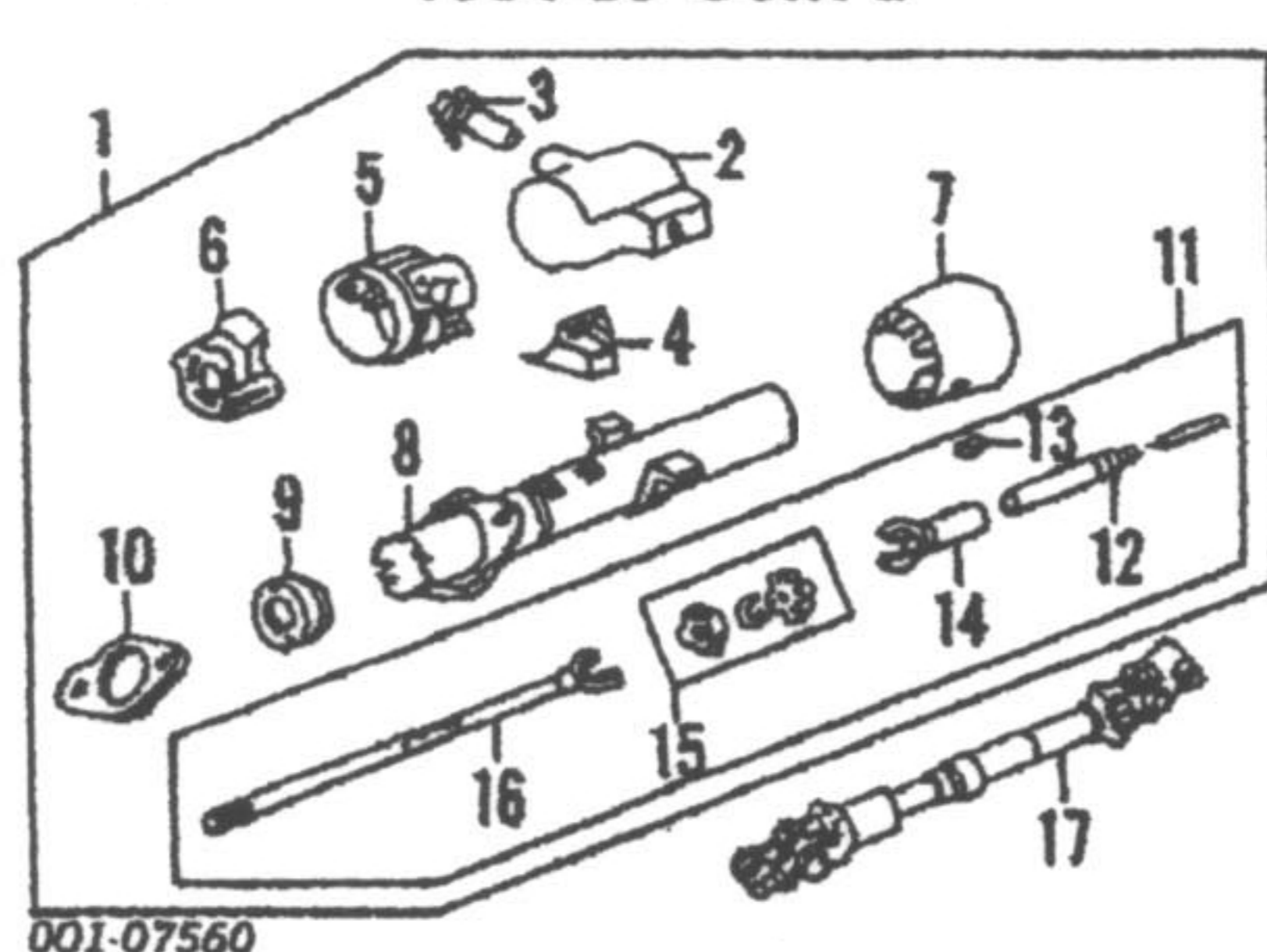


Wheel, Steering					
1 1990-93		10201320	m	.5	676.00
2 1994-96		16752390	m	.5	386.00
Module, Air Bag					
3 Type 1-See Air Bag System Section					
4 Type 2-See Air Bag System Section					

COLUMN 1984-89

Refinish Lock Housing Cover	.3
Refinish Housing Shroud	.3
Refinish Cover End Cap	.2
R&I Steering Column	m 1.5
O/H Steering Column (Includes R&I)	m 3.5

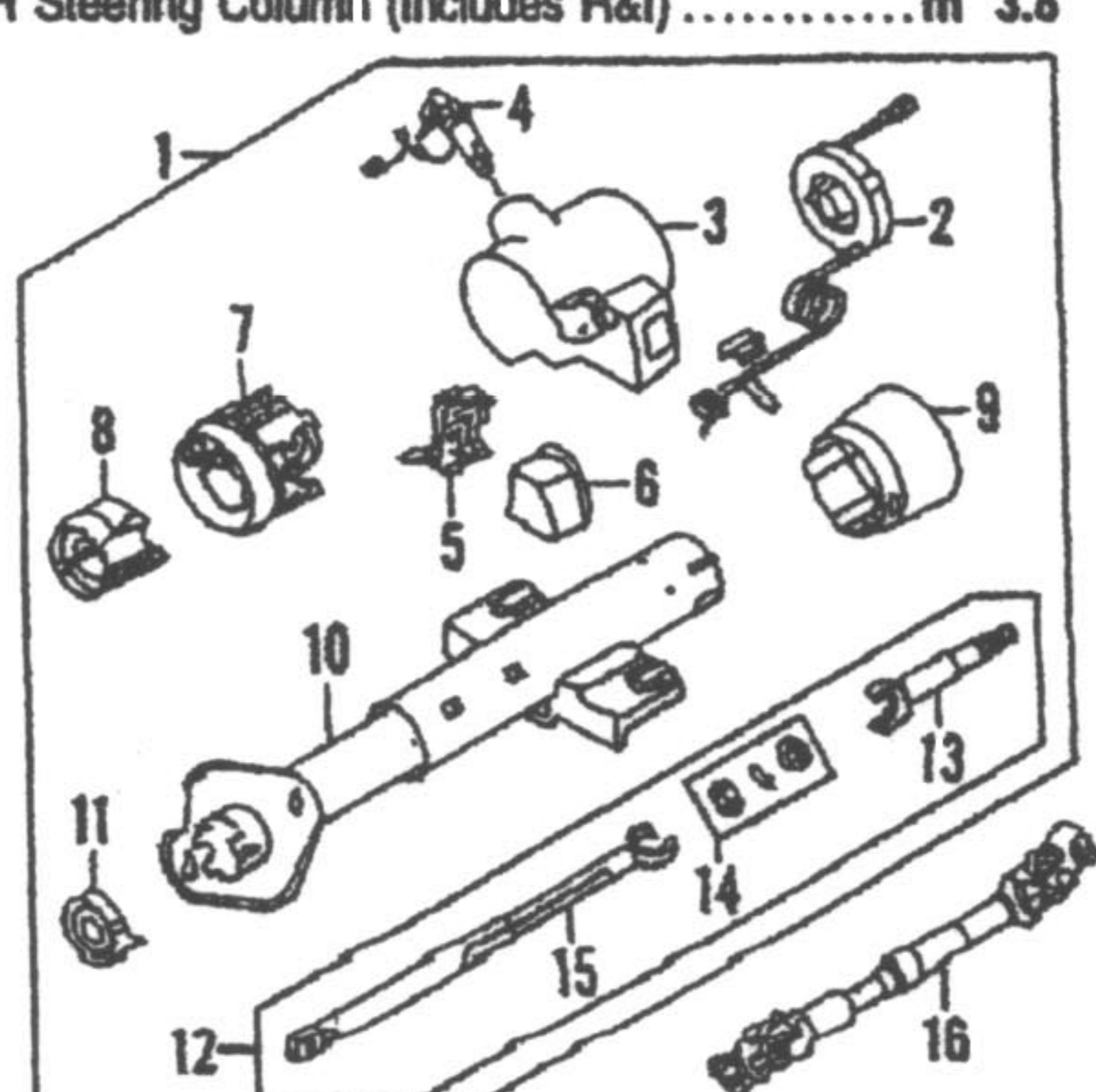
COLUMN 1984-89 Cont'd



1 Column Assy					
1984-85		7843501	m	1.9	d821.00
1986-88		26007587	m	1.9	937.00
1989					
Man Trans		26009116	m	1.9	d901.00
Auto Trans		26009115	m	1.9	d846.00
2 Cover, Lock Hsg					
84-85		7841312	m	#2.4	72.50
86-89		26007688	m	#2.4	71.25
3 Lock w/Key					
1984-85					
Chrome		7830380	m	#2.4	22.30
Black		7840574	m	#2.4	14.45
1986-88					
		26033390	m	#2.4	48.25
1989					
Man Trans		26033390	m	#2.4	48.25
Auto Trans		26033387	m	#2.4	80.75
4 Cap, Cover End					
		7841322	m	#2.4	10.75
5 Housing, Column					
		7843689	m	#2.4	168.00
Rack Kit, Ignition					
		7844651	m	#2.4	25.25
6 Support, Housing					
1984-86					
Coupe		7845077	m	#2.4	69.50
Convertible		7849032	m	#2.4	69.50
1987-89					
		7849032	m	#2.4	69.50
#R&R Complete					
7 Shroud, Housing					
1984-86					
Coupe		7840239	m	IOH	43.75
Convertible		7849028	m	IOH	43.75
1987-89					
		7849028	m	IOH	43.75
8 Jacket, Column					
1984-85					
		7843582	m	IOH	258.00
1986					
Coupe		7848003	m	IOH	d221.00
Convertible		7849033	m	IOH	d243.00
1987-88					
		7849033	m	IOH	d243.00
1989					
		26004825	m	IOH	253.00
9 Bearing, Adapter					
		7842176	m	IOH	43.00
10 Seal, Dash					
		7840636	m	IOH	12.45
11 Shaft Assy, Strg					
84-85		7843585	m	#3.2	369.00
86-89		7848002	m	#3.2	369.00
12 Shaft, Upper (a)					
		7829047	m	#3.2	118.00
13 Wedge, Locking (a)					
		7809977	m	#3.2	10.40
14 Yoke (a)					
		7825339	m	#3.2	146.00
15 Sphere Kit (a)					
		7844652	m	#3.2	9.95
16 Shaft, Lower (a)					
84-85		7843584	m	#3.2	d197.00
86-89		7848024	m	#3.2	201.00
¶Included w/Column Assy					
(a) Included w/Steering Shaft Assy					
#R&R Complete					
17 Shaft, Gear Coupling					
84-85		7843500	m	.8	376.00
86-89		26022829	m	.8	369.00

COLUMN 1990-96

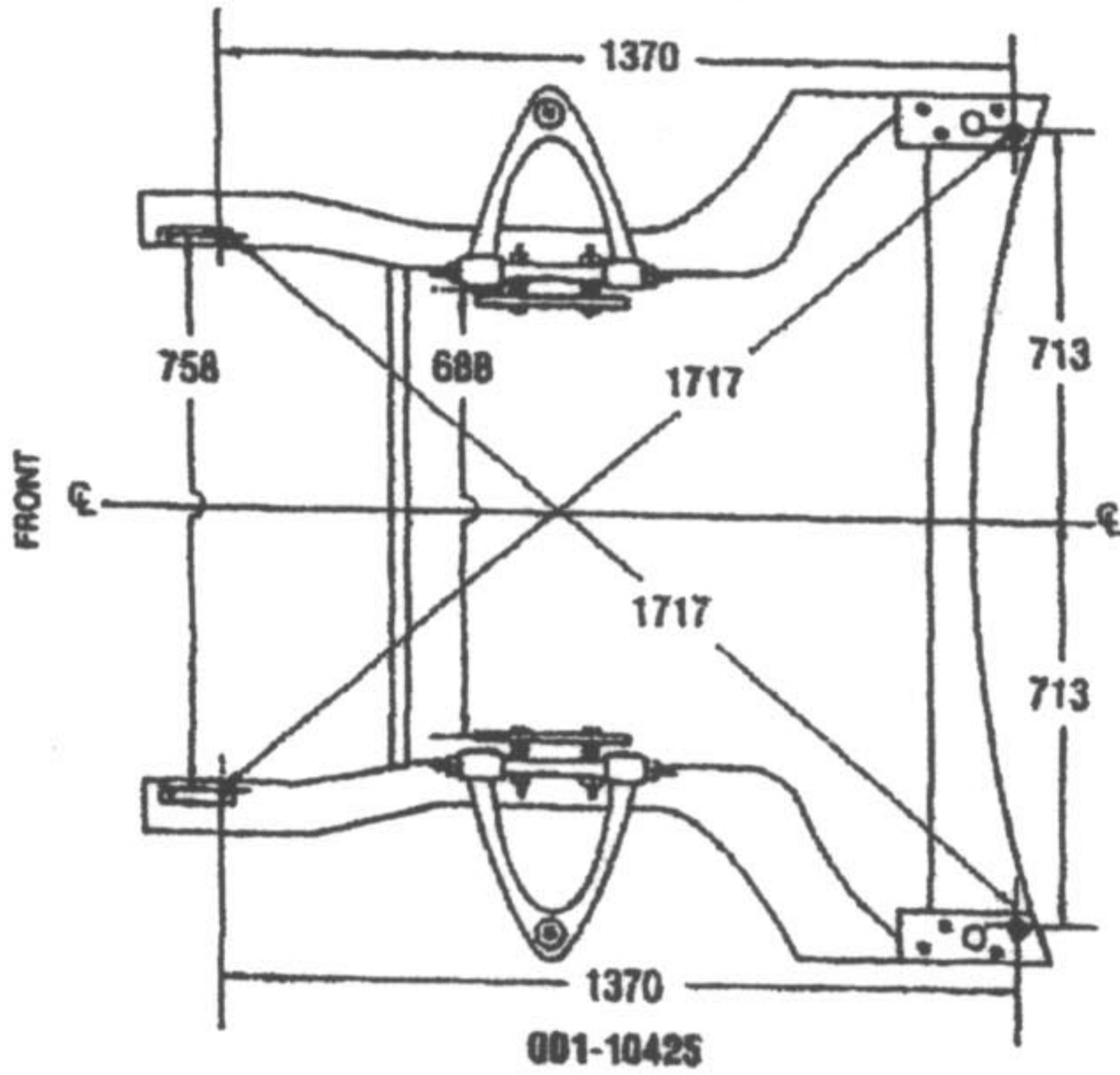
Refinish Lock Housing Cover	.3
Refinish Cover End Cap	.2
Refinish Housing Shroud	.3
R&I Steering Column	m 1.5
O/H Steering Column (Includes R&I)	m 3.8



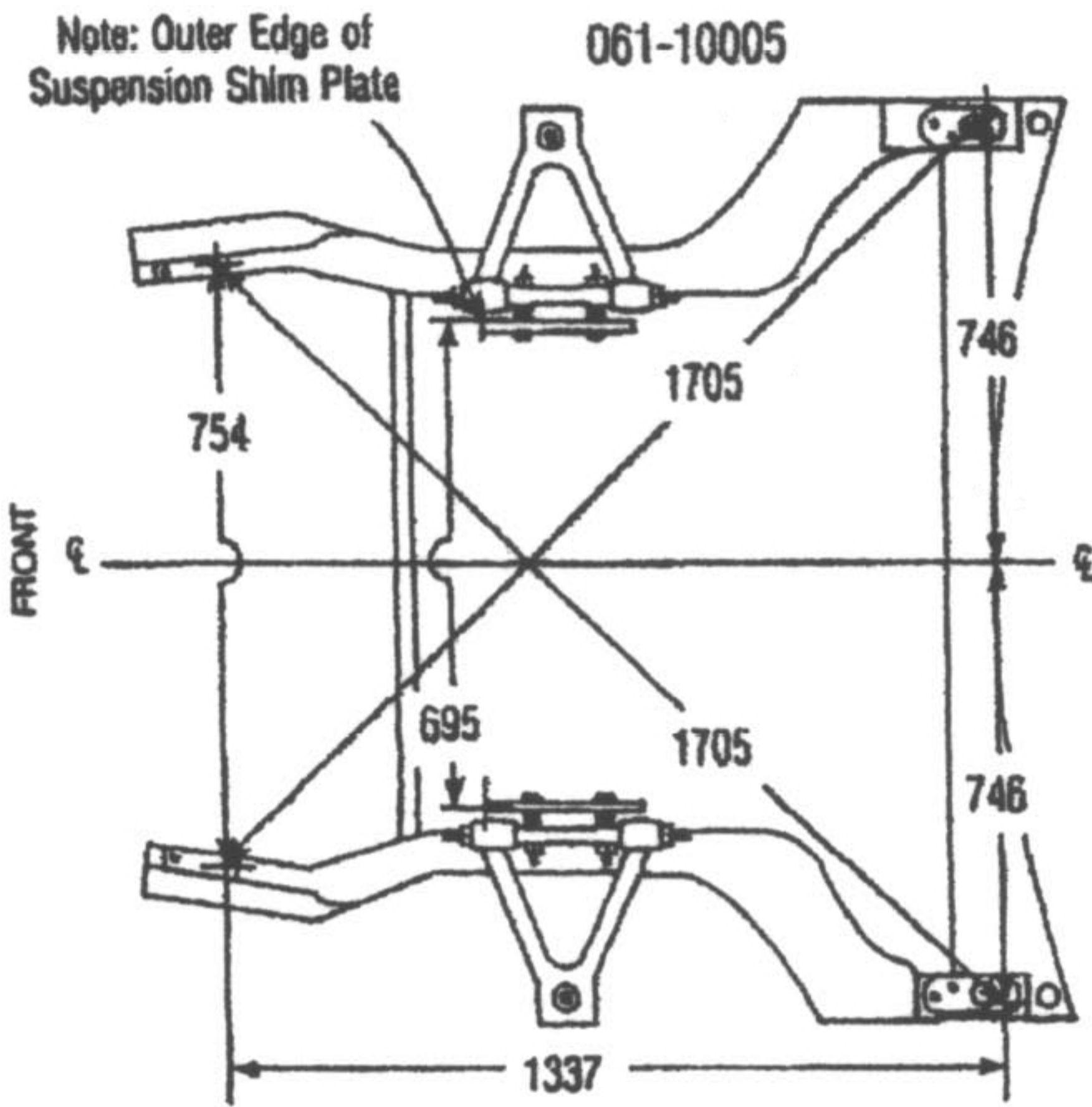
1 Column Assy					
Man Trans					
1990		26023515	m	2.0	994.00
1991-92		26025759	m	2.0	994.00
1993		26031578	m	2.0	1108.00
1994-96		26040221	m	2.0	841.00
Auto Trans					
1990		26023514	m	2.0	994.00
1991-93		26031577	m	2.0	1108.00
1994-96		26040220	m	2.0	841.00
¶Order by Application					
2 Coil, Air Bag ¶-See Air Bag System Section					
3 Cover, Lock Housing					
90-93		26016646	m	#2.8	71.25
94-96		26035681	m	#2.8	71.25
4 Lock w/Key					
Man Trans					
		26033387	m	#2.8	80.75
Auto Trans					
		26033390	m	#2.8	48.25
#Includes R&R Coil, Cover & Lock Housing					
5 Plate, Cover Base					
90-93		26015113	m	#2.8	9.65
94-96		26021767	m	#2.8	12.15
6 Cap, Cover End					
90-93		26015114	m	#2.8	10.75
94-96		26035293	m	#2.8	10.35
7 Housing, Column					
90-93		26017735	m	#2.8	412.00
94-96		26017468	m	#2.8	168.00
Rack Kit, Ignition					
90-93		7844651	m	#2.8	25.25
94-96		7827157	m	#2.8	6.20
8 Support, Housing					
90-93		26010580	m	#2.8	64.50
94-96		26010644	m	#2.8	72.00
#R&R Complete					
9 Shroud, Housing					
90-93		7849028	m	IOH	43.75
94-96		26048745	m	IOH	9.40
10 Jacket, Column					
90-93		26010573	m	IOH	235.00
94		26030664	m	IOH	235.00
95-96		26041058	m	IOH	253.00
11 Bearing, Adapter					
90-93		7842176	m	IOH	43.00
94-95		26025358	m	IOH	35.50
96		26026931	m	IOH	7.85
12 Shaft Assy, Steering					
1990-93		26010575	m	#3.1	369.00
1994-96		26030666	m	#3.1	369.00
13 Shaft, Upper (a)					
		26017653	m	#3.1	121.00
14 Sphere Kit (a)					
		7844652	m	#3.1	9.95
15 Shaft, Lower (a)					
90-93		26010576	m	#3.1	201.00
94-96		26030667	m	#3.1	201.00
¶Included w/Column Assy					
(a) Included w/Steering Shaft Assy					
#R&R Complete					
16 Shaft, Gear Coupling					
1990-91					
Standard		26022829	m	.8	369.00
ZR-1		26022830	m	.8	369.00
1992-94					
		26022830	m	.8	369.00
1995-96					
		26022830	m	.8	369.00
¶Order by Application					

UNDERHOOD DIMENSIONS

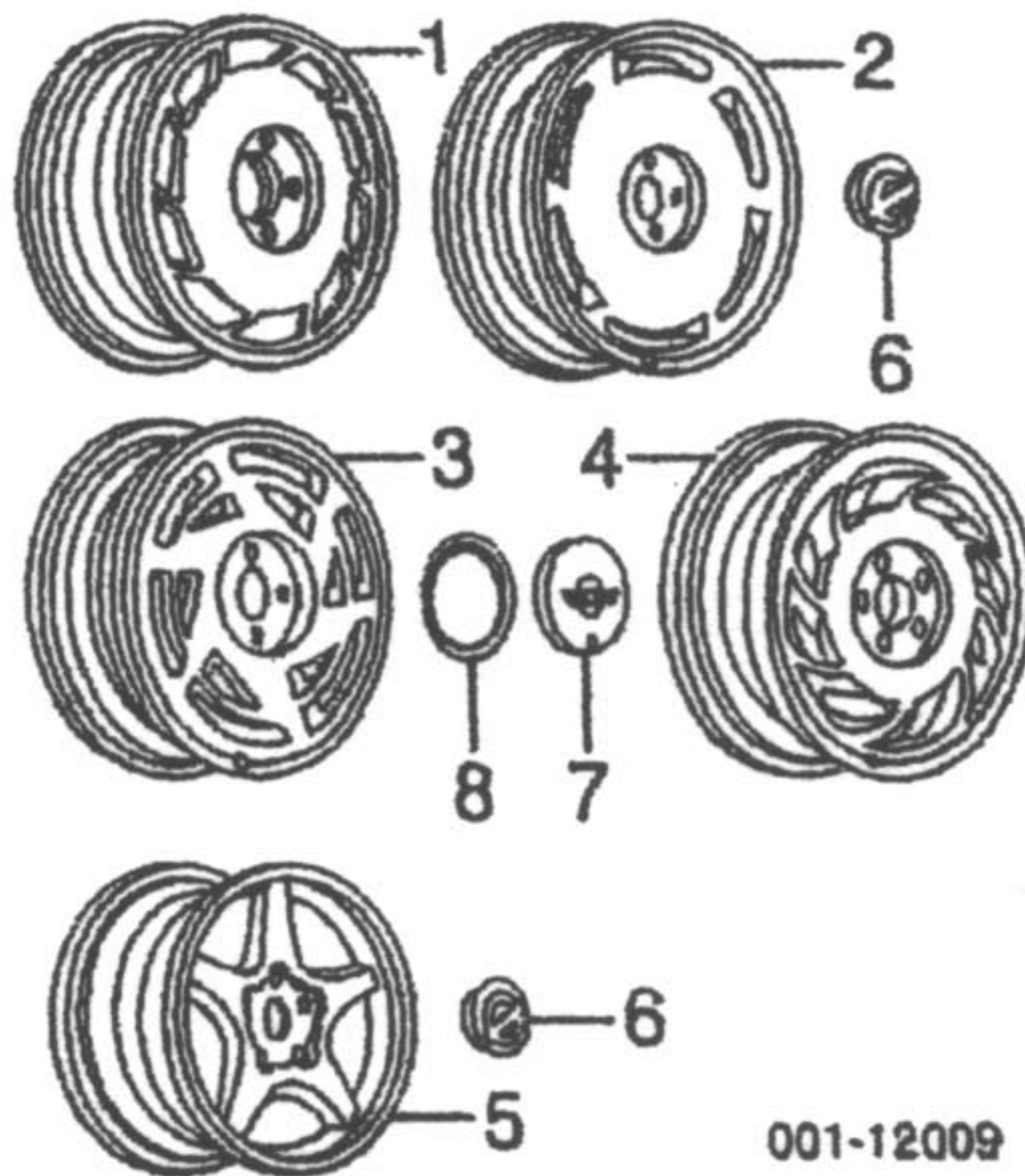
1984-86



1987-96



WHEEL

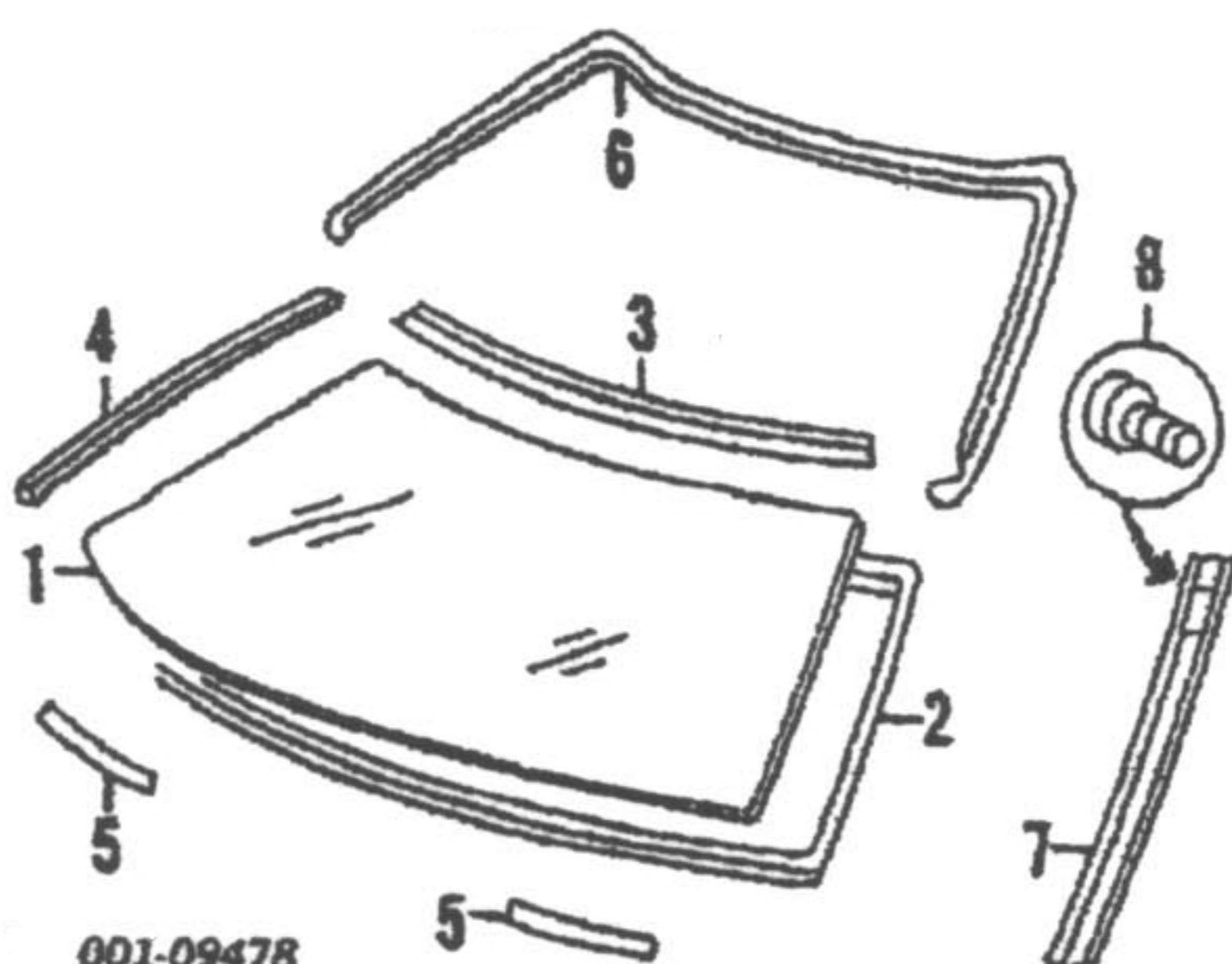


001-12009

Wheel	Year	Part Number	Quantity	Price	
1 Wheel 16x8.5	84-85	14069518-7	.3	413.00	
	86	14094588-7	.3	d397.00	
	87	10067314-3	.3	397.00	
	16x9.5	84-85 R	14089086	.3	d397.00
		L	14089085	.3	413.00
		86	14094590-89	.3	413.00
	87	10067316-5	.3	d397.00	
2 Wheel 16x8.5		10089684-3	.3	413.00	
3 Wheel 17x9.5	Standard	88-89 10117702-1	.3	414.00	
		90 10147991-0	.3	418.00	
	Anniversary (White)	R	10121018	.3	469.00
		L	10121017	.3	d451.00
	17x11-Rear		10147989-8	.3	601.00
4 Wheel 17x8.5	93-96	12520359-8	.3	404.00	
	17x9.5				
	1991-92	10174845-4	.3	404.00	
	1993	12520361-0	.3	404.00	
	1994-96	12520361-0	.3	404.00	
	17x11-Rear Only	91-92 10174843-2	.3	464.00	
93	12520357-6	.3	464.00		
5 Wheel 17x8.5	Collectors Edition	12361449	.3	N.A.	
	Grand Sport	12361448	.3	N.A.	
	17x9.5	94-95 12512905	.3	427.00	
		96 12361447	.3	N.A.	
	17x11 (Rear)	94-95 12512904	.3	427.00	
96	10361446	.3	N.A.		
Cap, Center					
6 Small	1984-85	14046926		23.35	
	1986	14055969		23.35	
	1987	10052096		21.90	
	1988-90	14055969		23.35	
	1991-92	10137865		30.25	
	1993				
	40th Anniversary	10180886		30.25	
	Special Perf	10137865		30.25	
	Standard	10194327		28.25	
	1994-95				
	w/Special Perf	10137865		30.25	
	w/o Special Perf	10194327		28.25	
	1996	9592388		16.95	
	7 Large	Standard	10055340		101.00
Anniversary (White)		10097595		81.75	
8 Seal, Center Cap (Large)		10097592		8.05	
Sensor, Low Pressure					
Front	89-92	10098494-5		151.00	
	93-96	10161855-6		151.00	
Rear	89-92	10098496-7		151.00	
	93-96 R	10161857		151.00	
	L	10161854		151.00	
Module, Low Pressure-See Instrument Panel Section					

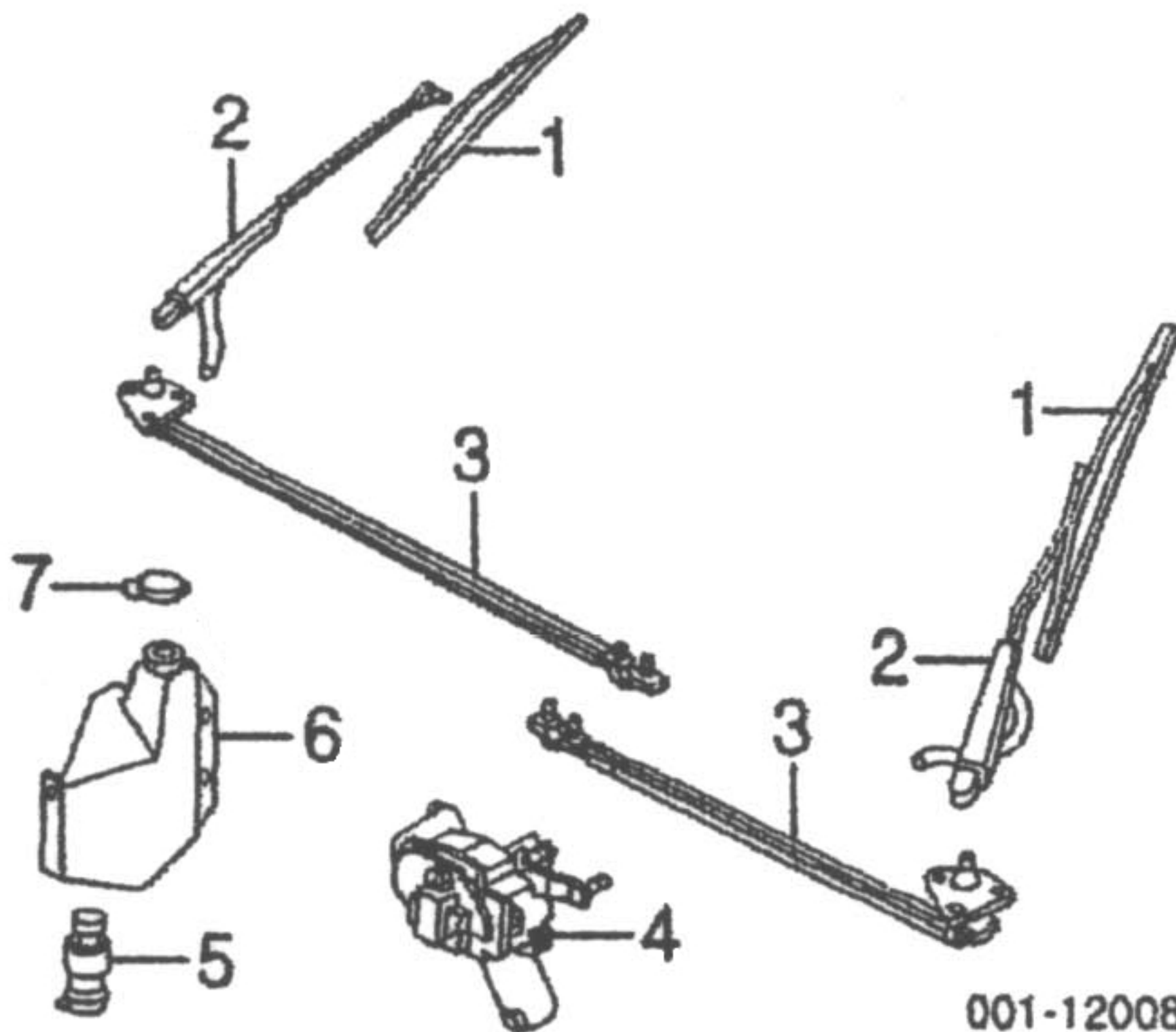
WINDSHIELD

R&I Windshield Glass..... #4.5
#Includes Clean Up Old Adhesive as Necessary



1 Glass, Windshield			
Chevrolet			
Standard		10172302	#4.0 718.00
ZR-1		10145993	#4.0 974.00
NAGS-Green/Blue Shade			
Standard	84-89	DW00951GBN	#4.0 923.85
	90	DW01075GBN	#4.0 923.85
	91-96	DW01112GBN	#4.0 1595.05
ZR-1		DW01085GBN	#4.0 3213.25
#Includes Clean Up Old Adhesive as Necessary			
Urethane		12346284	44.25
2 Seal, Glass		10236368	16.65
3 Moulding, Upper Reveal		14049033	#.3 36.25
4 Moulding, Side Reveal		14049032-1	#.2 29.50
5 Moulding, Lower Reveal (2)		10045695	#.2 8.95
#w/Weatherstrip Removed			
6 W/Strip, Inner Frame		10268887	#.6 223.00
7 Retainer, Weatherstrip		14049244-3	#.6 24.95
#R&R Complete			
8 Retainer (Push-in)		8731909	.32
¶As Required			
Moulding, Garnish			
Upper	84-85	14046699	.3 d28.50
	86-88	10104016	.3 34.50
	89-96	10236001	.3 31.00
Side	84-89	14047448-7	.2 29.00
	90-96	10265823-4	.2 34.50
Lower	84-89	14049298-7	.2 7.70
Mirror, Rear View			
w/Map Light		12513138	.3 84.25
w/o Map Light	84-86	12513139	.3 51.00
Bracket, Roof Latch			
1984-85		14051192-1	#.6 d95.75
1986-88			
Coupe	R	14090606	#.6 101.00
	L	14090605	#.6 98.00
Convertible		14092644-3	#.6 92.25
1989-96		10198728-7	#.6 79.75
#Includes R&R Cover			
Cover, Bracket			
1984-85		14049300-299	.2 3.80
1986-88			
Coupe		14089666-5	.2 14.00
Convertible		14092642-1	.2 28.75
1989-96		10219602-1	.2 5.65
¶Order by Application			
Visor, Sun			
Right	84-93	10199728	.2 59.50
	94-96	10262566	.2 59.50
Left			
1984-85		10051877	.2 55.75
1986-89			
w/Mirror		10199727	.2 59.50
w/o Mirror		10051877	.2 55.75
1990-93		10199727	.2 59.50
1994-96		10262565	.2 59.50

WIPER SYSTEM



1 Blade, Wiper				
18"		22110158	.1	■10.35
20"		10135947	.1	■12.36
2 Arm, Wiper		22144264-5	#.2	■49.71
	#Includes R&R Blade			
3 Trans, Wiper	R	22038692	#.6	49.94
	L	22038693	#.6	55.11
	#R&R Both .9			
4 Motor, Wiper		22072790	1.1	■166.64
5 Pump, Washer	84-91	12355775	#1.1	■24.45
	92-96	22111432	#1.1	28.72
6 Container, Washer	84-91	22039451	#1.1	14.20
	92-96	22111326	#1.1	30.25
	#R&R Complete, includes R&R Cap			
7 Cap, Container		22122272		3.05
	#R&R Complete			