

---

# IZH94 Sever



## OVER & UNDER COM- BINATION RIFLE/SHOTGUN

### WARNING AND INSTRUCTION MANUAL

European American Armory Corp.  
3855 North U.S. Highway One  
Cocoa, Florida 32926  
(321) 639-4842  
[www.eaacorp.com](http://www.eaacorp.com)  
E-mail: [eaacorp@bv.net](mailto:eaacorp@bv.net)

© Copyright EAA Corp. 1/01

## Additional information on screw choke tubes:

- A) Before working with screw choke tubes make sure the gun is completely unloaded.
- B) Only tighten or loosen choke tubes with flat key wrench supplied with shotgun. Note: wrench (and extra choke tube or tubes if supplied) are under the cardboard in front of the shotgun receiver in the box.
- C) Never shoot the shotgun with a partially installed choke tube.
- D) For steel shot or slugs use IC or Cylinder choke tubes. If you gun has choke tubes that protrude out the barrel and are checkered on the outside area that protrudes in front of the barrel, these are steel shot choke tubes and the IC or Cylinder note does not apply for the steel shot. The IC or Cylinder choke tubes are the only tubes that can be used with slugs.
- F) Correctly installed choke tubes: Lead shot choke tubes should fit flush or slightly below the muzzle end of the barrel, Steel shot choke will protrude out from the barrel about 3/4" or so and the mating lip will be flush with barrel end.
- G) Before using the shotgun make sure that the choke tubes are installed correctly: 1) make sure the gun is unloaded 2) look into the barrel from the muzzle end and you should see a ring at the junction of the barrel and the tube. The ring that you will see is caused by the barrel not the tube. IE: If you see the tube and not the barrel ring, then the tube is either installed too tight or damaged. What you want to see at the junction of the barrel and tube, is the tube edge below the barrel. You may also use your finger to feel that the barrel is above the tube at the junction... Careful that your finger does not become stuck in the tube. Check your choke tube after each use or every 100 rounds.
- H) Keep choke tubes lubricated and installed. Never fire the gun without a choke tube installed. Handle choke tubes carefully since the leading edge is very thin.

# EAA MODEL: IZH94 "Sever" COMBINATION RIFLE / SHOTGUN

## WARNING AND INSTRUCTION MANUAL PLEASE READ THESE INSTRUCTIONS

MODEL NUMBER	BARREL LENGTH	GAUGES
IZH94-"Sever"	24"	20GA/3"
CALIBERS	FINISH	
22LR, 22WRM	BLUE	

### GENERAL INFORMATION:

Weight (average) - 24" = 7.7 Lbs.

Overall Length - 41.33"

FOR YOUR SAFETY AND THE SAFETY OF OTHERS, this owner's manual contains important warnings and safety procedures which must be understood BEFORE using this firearm. Read the entire manual and if you do not understand any part of it or the operation of your Combination Rifle / Shotgun, stop and seek professional firearms instructions. You can get a copy of this manual from European American Armory Corp. on request.

Record the serial number of your firearm:

# \_\_\_\_\_

and a description of it:

\_\_\_\_\_

Make a copy of this manual, proof of purchase/sales record for safekeeping in a secure safe or fireproof container. Such proof is necessary if the firearm is stolen or for warranty repair. Before handling any firearm, make sure you know the safety procedures and most importantly, keep the firearm pointed in a safe direction.

### WARNING

**\*\*YOU RISK INJURY OR DEATH BY HANDLING THIS FIREARM\*\***

Before handling this firearm, read, understand and follow the instructions in this manual. Always keep this manual with the firearm. If you lend, give or sell this firearm, be sure the manual goes with it. If there is anything you do not understand, seek advice from someone qualified in safe handling of firearms.

### WARNING

\*This firearm should always be transported and stored unloaded in its case.\*

### Type Of Ammunition To Be Used:

It is suggested that high quality commercially manufactured ammunition be used in this firearm. Some factory ammunition works better than others and you should stick with the brand you find works well in your Combination Rifle / Shotgun. Avoid military surplus or hot loaded ammo. The use of reloaded, high pressure or hand loaded ammunition will void the warranty.

## N O T I C E

COMBINATION RIFLE / SHOTGUN ARE CLASSIFIED AS FIREARMS OR DANGEROUS WEAPONS and are sold by European American Armory Corporation with the specific understanding that we are not responsible in any manner what-so-ever for their safe handling or resale under local laws and regulations.

European American Armory shall not be responsible in any manner whatsoever for malfunctioning of the firearm, for physical injury or for property damage resulting in whole or in part from (1) intentional or negligent discharge, (2) improper or careless handling, (3) unauthorized modifications and/or alteration to the internal/safety mechanisms, (4) defective, improper, high pressure, hand-loaded, or reloaded ammunition, (5) corrosion and/or lack of proper maintenance (6) neglect, or (7) other influences beyond our direct and immediate control. This limitation applies regardless of whether liability is asserted on the basis of contract, negligence or strict liability (including any failure to warn). Under no circumstance shall European American Armory Corporation be liable for incidental or consequential damages, such as loss of use of property, commercial loss and loss of earnings or profits.

### Safety Procedures:

1. We recommend that you get competent firearms instruction in safe handling before using this firearm. Please ask your dealer. All guns are extremely dangerous if carelessly handled or used. Remember that the firearm user is the primary "safety" and to depend on any mechanical devices is to be only half safe.
2. This firearm will fire if a cartridge is in a chamber and the trigger is pulled and the safety is disengaged.
3. DO NOT LOAD THIS COMBINATION RIFLE / SHOTGUN UNTIL YOU UNDERSTAND HOW THIS COMBINATION RIFLE / SHOTGUN OPERATES. KEEP this Combination Rifle / Shotgun unloaded at all times except when ready to fire and you are sure of your target.
4. ALWAYS carry this Combination Rifle / Shotgun in a case or original box unloaded.
5. NEVER point this Combination Rifle / Shotgun at anything that is not your intended target even if this Combination Rifle / Shotgun is unloaded. When loading, cleaning, unloading or handling, always be sure the muzzle is pointed

in a safe direction and always keep your finger off the trigger.

6. NEVER assume any gun is unloaded. Before handling, check to make sure the chamber is empty. See unloading Instructions and then unload any ammunition. Make sure you know that this or any firearm is fully unloaded before displaying or handling it. When handling any firearm, keep your fingers away from the trigger at all times until you intend to fire.

7. **WARNING:** The actual firearm does not contain any lead; however, it does fire ammunition containing lead or lead compounds known to the State of California to cause cancer, birth defects, reproductive toxicity, and other serious physical injury. Those who discharge a firearm, stand near someone who discharges a firearm or cleans firearms are hereby warned of the dangers presented by lead and lead compounds and should take protective health measures. Avoid exposure to lead while handling and wash your hands after contact. Proper air ventilation is absolutely necessary when shooting indoors.

#### A M M U N I T I O N   W A R N I N G

Old, Hot-loaded and/or re-loaded ammunition may be dangerous. Because of the poor or nonexistent quality control standards among some companies or people who make reloaded ammunition and the dangers of overloads and under loads (squib loads) which may occur, we recommend that only good quality new factory ammunition be fired in our firearms. [If you prepare your own hand loads, do NOT exceed recommended pressures in line with those generated by standard factory loads as manufactured by Remington, Winchester, Federal, PMC or other reputable companies.] Old ammunition may not fire with sufficient force to expel the projectile from the barrel.

#### READING THESE SAFETY RULES WILL SAVE YOUR LIFE OR THE LIFE OF SOMEONE ELSE

Get instructions from a competent firearms instructor before using this or any firearm. Learn from a professional how to handle, load, unload, operate, fire and care for your gun.

NEVER PLAY with your firearm. It is not a toy and can be a very dangerous weapon that can cause serious personal injury or death.

Always keep the gun pointed in a safe direction. Treat every gun as if it is loaded...all the time. NEVER point any firearm (loaded or unloaded) at any person or anything you do not intend to shoot. Always keep your gun unloaded until ready to use and make sure that it is unloaded before cleaning.

Keep your finger OFF the trigger until you are actually aiming at the target and ready to shoot. Learn to rest your finger outside of the trigger guard.

Never rely on a gun's "safety" to protect you from unsafe gun handling. A safety is only a mechanical device, not a substitute for common sense and gun safety procedures.

Never leave a gun unattended or where it could fall and fire.

## READING THESE SAFETY RULES WILL SAVE YOUR LIFE OR THE LIFE OF SOMEONE ELSE

Store guns and ammunition separately **beyond the reach of children**. Make sure that they are properly secured so untrained individuals and children will be denied access to your guns and ammo.

Test your gun's operation and safeties only at a shooting range while the firearm is pointed in a safe direction.

Know your target and what is beyond. Ask yourself what your bullet will hit if it misses the target or passes through the intended target. Remember, a fired projectile can travel over a mile (including a ricochet) and is capable of going through walls.

Guns and alcohol or drugs do not mix. Don't take any alcoholic beverages and/or drugs before or during shooting activities.

Never pull a gun toward you by the muzzle. Don't climb a tree, cross a ditch or fence with a loaded gun.

Always empty guns before entering a house, car, truck, boat, RV, camp or any building.

When receiving a gun, always open the action and check to make sure the chamber is unloaded.

NEVER accept anyone's word that a gun is "unloaded" or "empty". You should immediately open the action and check to make sure it is unloaded.

Be careful with ALL ammunition. Even "blank" cartridges are deadly at close range due to the muzzle blast. Make sure your ammunition is in new and in good clean condition. Do NOT oil or grease ammo as this may damage the cartridge primer. Do NOT tamper with or alter the standard factory ammunition.

Keep firearms unloaded when not actually in use. Load the gun only when on the range preparing to fire and unload it before leaving the range.

Never put your hand over the muzzle of a gun.

ALWAYS WEAR protective shooting glasses and hearing protection when using firearms.

Spectators should be at least 10 feet behind and away from the shooter while the shooter is loading, shooting and unloading. Spectators should wear protection for hearing and sight loss and they should avoid distracting those shooting their firearms.

Never drop your gun. If you do drop it, unload it and check it for proper function before using it again.

Do NOT alter or modify your gun. Don't try to change your gun's trigger pull, because it may affect sear engagement and thereby cause accidental firing.

Do NOT remove any internal safety or safety device on the firearm. Safety mechanisms are designed to protect you from injury or death.

## READING THESE SAFETY RULES WILL SAVE YOUR LIFE OR THE LIFE OF SOMEONE ELSE

Do maintain and keep your gun clean. Keep in a dry place away from other metals and water. If your gun shows sign of corrosion or improper operation, have it serviced by a competent gunsmith.

Keep the muzzle pointed in a safe direction when loading and unloading your gun. Never point the muzzle at anyone.

Never shoot at hard flat surfaces or water....bullets ricochet.

If a gun fails to fire when the trigger is pulled, keep it pointed down range at the target for 60 seconds. Sometimes slow primer ignition will cause a "hang fire" and the cartridge will go off after a short pause. If it still fails to fire, keep muzzle pointed in safe direction and avoid exposure to the breech, as you attempt to unload your firearm.

Never let water, snow, mud or other material enter the barrel. Always be sure the barrel is free of any obstruction.

Use the correct ammunition for your gun. Do NOT use the wrong size or wrong strength ammunition in your firearm.

Repeated and prolonged exposure to gunfire may cause toxic levels of lead in your body. High levels of lead in the blood may result in cancer, impotency, birth defects and other serious physical injury. When shooting indoors, make sure there is proper fresh air ventilation.

Teach children: 1. NOT to touch guns, bullets, cartridges, shells, flares or any explosive device and 2. If they discover such a dangerous item or weapon, they must immediately report its location to their parents, school teacher or police.

Remember a firearm has the capability of taking your life or the life of someone else. Be careful with your firearm -- an accident is almost always the result of not following basic safety rules.

HOME SAFETY IS PROBABLY YOUR BIGGEST CONCERN. We suggest a gun lock such as Master Gun Locks. They work on most firearms and are available in gun shops and sporting goods departments. For more information write: Master Gun Locks; Master Lock Company, P.O. Box 10367, Milwaukee. WI 53210. You have invested this much in your new firearm, now invest a little more in your family's safety.

USED FIREARMS - If you got your European American Armory firearm as a used gun, BEFORE USING IT you should unload it and check all its functions to be sure it works correctly. Firearms are sometimes altered to work incorrectly, or parts may be removed, lost or replaced with incorrect parts. First, unload it and check it yourself and then take it to a good gunsmith who knows European American Armory firearms, and have him examine it.

WRITE US concerning any items or circumstances which you don't understand and which might relate to your safety and the operation of your firearm.

## W A R N I N G

BEFORE LOADING or firing a Combination Rifle / Shotgun, examine the bore and the firing chamber to be certain they are clean and free of any obstruction. Even a heavy coat of oil, grease, snow or water may result in damage to the firearm and injury to the shooter and/or persons near the firearm. A misfire or unusual sound upon firing is a signal to cease firing and to examine the chamber and bore. If there is any obstruction, clear the obstruction and clean the bore and chamber before firing.

## F I R I N G W A R N I N G

When shooting, full eye and ear protection is mandatory at all times. Shooters and spectators must wear shooting glasses and sound suppressor to prevent eye injury and hearing loss. ***Vision loss and hearing impairment can occur with only one moment of non-protection.***

## W A R N I N G

Any bore obstruction, even if it is only partly blocked, may cause the gun to blow up if it is fired, or may cause damage to the gun such as a bulged barrel. To avoid injury or death to the shooter or bystanders, check the barrel before shooting or if a shot does not sound normal.

## W A R N I N G

Always keep the muzzle pointed in a safe direction! Never attempt to load or unload any firearm inside a vehicle, building or other confined space (except a properly constructed shooting range). Enclosed areas frequently offer no completely safe direction in which to point the firearm. If an accidental discharge occurs, there is great risk of injury or property damage. Before loading, always clean all, grease and oil from the bore and chamber, and check to be certain that no obstruction is in the barrel. Any foreign matter in the barrel could result in a bulged or burst barrel or other damage to the firearm and could cause serious injury to the shooter or to others.

## W A R N I N G

If there is any reason to suspect that a bullet or projectile is obstructing the barrel, immediately unload the firearm (See Unloading Instructions) and check the chamber and the bore. A bullet may be lodged some distance down the barrel where it can not easily be seen. Check the bore by using a cleaning rod to pass through the barrel. If a blockage is in the bore, **DO NOT ATTEMPT TO SHOOT IT OUT WITH ANOTHER CARTRIDGE, OR BLOW IT OUT WITH A BLANK CARTRIDGE OR A CARTRIDGE FROM WHICH THE BULLET HAS BEEN REMOVED. SUCH TECHNIQUE(S) CAN GENERATE EXCESSIVE PRESSURE, DAMAGE THE FIREARM AND CAUSE SERIOUS PERSONAL INJURY.** If the blockage can be removed with a cleaning rod, clean any unburned powder grains from the bore, chambers & mechanism before resuming shooting. If the blockage can not be dislodged by tapping it with a cleaning rod, take the firearm to a gunsmith.



### WARNING (Mechanical Malfunctions)

STOP SHOOTING IMMEDIATELY AND UNLOAD YOUR FIREARM if your firearm develops: a mechanical malfunction; binding or stoppage; spitting powder/gas; a cartridge primer is punctured; a cartridge case is bulged or ruptured; or the sound on firing does not sound quite right. Do NOT try one more shot but unload your firearm and take it and the ammunition to a qualified gunsmith or send it back to EAA for examination. Do not assume that the Combination Rifle / Shotgun is empty merely because you checked the chamber. You must also check the bore for any fired shot or wad jammed inside the barrel.

### EXTERNAL CONTROL PARTS:

**Trigger Block Safety** : Located on the receiver tang behind the top lever, slide button style. When the Red Dot is showing the Combination Rifle / Shotgun will fire when the trigger is pulled!! Do not disengage safety unless you are ready to fire the Combination Rifle / Shotgun. (Safety Engaged - The Red Dot covered and the trigger is blocked from full travel; Safety Disengaged - The Red Dot showing and the trigger has full travel...**MAKE SURE YOU UNDERSTAND HOW THE SAFETY WORKS BEFORE YOU LOAD OR USE THE Combination Rifle / Shotgun**)

**Top Lever**: Located on top of the receiver, push to right to break open barrel from receiver of Combination Rifle / Shotgun.

**Trigger**: Located in the trigger guard. If the safety is disengaged and hammer mechanism has been cocked and trigger is pulled to the rear the Combination Rifle / Shotgun will discharge, if there is a live cartridge in the chamber. The front trigger is for the Shotgun barrel (Bottom Barrel). The back trigger is for the rifle barrel ( Top Barrel). In the case of a single selectable trigger, one trigger is used to fire each barrel. Barrel sequence for firing is done by the barrel selector, see barrel selector section.

**Barrel Selector**: The trigger of a single trigger(selectable) Combination Rifle / Shotgun is the barrel selector. If you push the trigger forward until you feel a click the barrel selection will be top barrel first then bottom barrel. Once you have moved the top lever the selection goes back to bottom barrel then top barrel. Thus, the gun is set to fire the bottom barrel first and then the top barrel, as configured by the factory, and is only override able by the selector and movement of the top lever puts the gun back to the factory configuration.

**Forend**: Located below barrels in front of receiver, locks barrel assembly into receiver, has a latch in the mid lower section that is used to lock and unlock forend.

**Rear Sight**: Windage adjustable

**Scope Mount Rail**:

## Directions For Assembly Of Combination Rifle/Shotgun:

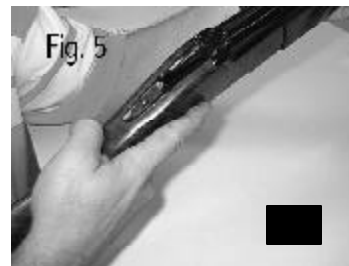
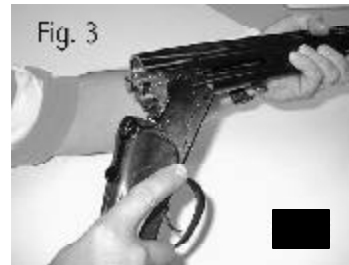
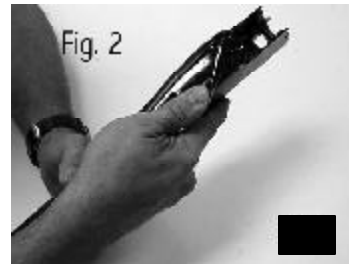
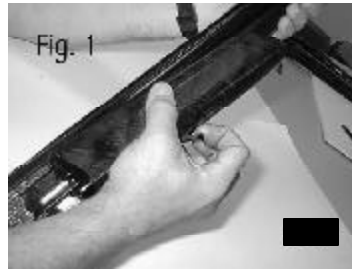
- **1) Fig 1:** When you open the box of your new IZH94 "Sever" Combination Rifle / Shotgun the barrel and forend is separated from the main portion of the Combination Rifle / Shotgun. To attach the barrel and forend first remove the plastic bags or wrapping covering the parts. Then remove the forend from the barrel by pulling out the lever in the lower mid section of the forend and tipping the forend out and away from the barrel while pulling the lever out. Never force the forend off the barrel. Check to make sure that the barrel is free of foreign matter by looking down the barrel (no blockage what-so-ever)

- **2) Fig 2:** Now push the top lever to the right and hold. Do not force the top lever.

- **3) Fig 3:** Engage the lower locking lug located on the lower portion of the barrel with the receiver. The half round cut out on the lower locking lug fits around the round bar in the forward lower portion of the slot in the receiver. With the barrel engaged into the receiver you should be able to swing the barrel up into the locked position and the top lever should move back to the center once the barrel is locked into position. Note: The top latch may not move completely to the center on a new Combination Rifle / Shotgun until the gun is broken in. The latch must move at least three quarters of the full travel distance.

- **4) Fig 4:** With the barrel locked into the receiver pull the forearm latch out and place the forend on receiver. With an upward swing motion lock the forend onto the barrel. Do not force the forend into it's locked position on the barrel. It may also be required to slide the forend onto the barrel and then insert it into the receiver and lock it with an up swing. Sometimes it is necessary to push the latch into it's final flat position, never force the latch into position.

- **5) Warning...** Never fire the gun unless the



barrel is locked into position on the receiver and the forend is locked into the receiver and barrel.

- **6) Fig 5:** Make sure the trigger block safety is engaged after completion of assembly. (Red dot covered)



### To Load Combination Rifle/ Shotgun:

- **1) Fig 7:** Make sure the Combination Rifle / Shotgun is pointed in a safe direction at all times, the trigger block safety is engaged, and never allow fingers or objects to contact trigger.



### *Warning \*\*\**

*Do not load shotgun until you are ready to fire*

- **2)** Do not disengage the safety until you are ready to fire.
- **3)** Make sure the ammo that you are using is the correct size and gauge / caliber. The breech is marked with the gauge and chamber length and the caliber. Note: A shotgun barrels with a 3" chamber length will also use 2 3/4" shot shells. A shotgun barrels marked with 2 3/4" chamber length will not accept a 3" shot shell.
- **4) Fig 8:** Visually inspect the chambers and barrel for obstructions by breaking open the Combination Rifle / Shotgun by pushing the top lever to the side and tipping the barrel down. The chamber and barrel should be free of oil or grease or obstructions.
- **5)** After inspection load the correct type of shot shell into the bottom chamber and the correct type of cartridge into the top barrel. Make sure that the shell and cartridge are flush with the extractor, then close the action by swinging the barrel up until it locks into the receiver and the top lever moves to the center position. If the top lever does not move to the center break open the action again and check to see if the shell or cartridge is fully seated in the chamber. If the shell and cartridge is fully seated then re-close the action. If the shell or cartridge is not fully seated check the chamber for blockage and check the shell or cartridge for deformation and retry closing the action once more. If the shell or cartridge is the correct type and the chamber is not blocked and the shell or cartridge is not deformed and the top lever does not move at least three quarters of the full travel distance to the center after closing then unload the gun (follow unloading instructions) and have a competent gunsmith look at the gun or return the gun back to E.A.A. Corp. for review. Note: The top lever may not move completely to the center on a new Combination Rifle / Shotgun until the gun is broken in. The lever must move at least three quarters of the full travel distance. Try to move top lever to center by hand do not force.

## WARNING

***Once you have broken open the Combination Rifle / Shotgun action with the forearm installed the internal hammers are cocked and under spring tension. We suggest that you do not keep, carry or store the gun with the hammer springs under compression. Follow unloading instructions and with the gun unloaded or the barrel removed pull the triggers to release the hammer springs from their compressed state.***

***There is no excuse for not being careful.....***

## W A R N I N G

Never load a shell or cartridge into the chamber until you are ready to fire the Combination Rifle / shotgun...

To Fire Combination Rifle / Shotgun:

## W A R N I N G

- Do not disengage the trigger block safety until the Combination Rifle / Shotgun is pointed in a safe direction and you are ready to fire.
- If a shell or cartridge does not fire and the trigger has been pulled and the trigger block safety is disengaged...Stop! and do the following: **a)** Make sure the gun is pointed in a safe direction **b)** Engage the trigger block safety **c)** Wait 60 seconds **d)** Follow the instruction below for unloading the Combination Rifle / Shotgun.
- If during firing the sound of any cartridge or shell is noticeably softer or louder than the previous cartridge or shell fired, Stop! Do not load another cartridge or shell or fire another cartridge or shell and do the following: **a)** Make sure the gun is pointed in a safe direction **b)** Engage the trigger block safety **c)** Follow the instruction below for unloading the Combination Rifle / Shotgun **d)** With the Combination Rifle / Shotgun unloaded visually inspect the Combination Rifle / Shotgun for barrel blockage or damage and inspect the mechanical portion and receiver of the Combination Rifle / Shotgun for damage before continuing.

**PLEASE READ AND UNDERSTAND ALL WARNINGS IN THIS MANUAL BEFORE FIRING COMBINATION RIFLE / SHOTGUN, MAKE SURE YOU KNOW WHAT YOU ARE SHOOTING AT**

***There is no excuse for not being careful.....***

- **1)** Make sure the gun is pointed in a safe direction and that you are **wearing ear and eye protection and keep fingers away from triggers.**
- **2)** Engage trigger block safety if not already engaged
- **4)** Disengage the safety and begin firing only when you are ready to fire and the Combination Rifle / Shotgun is pointed in a safe direction to be fired. At this point the Combination Rifle / Shotgun will fire if the trigger is pulled.

### To Unload Combination Rifle / Shotgun:

- **1)** Make sure the gun is pointed in safe direction and the trigger block safety is engaged

#### ***There is no excuse for not being careful.....***

- **2)** After completing step one completely... push the top lever to the right till the action breaks open.
- **3)** Then fully open the action and remove the shell and cartridge.
- **4)** Visually check that the barrels are free of obstructions and then close the Combination Rifle / Shotgun action.
- **5)** We suggest that you remove the hammers spring compression by pulling each trigger or in the case of a single trigger gun pulling the trigger for each barrel.
- **6)** Make sure the trigger block safety is engaged after the Combination Rifle / Shotgun action is closed

### To Disassemble The Combination Rifle / Shotgun:

- **1)** Make sure the Combination Rifle / Shotgun is unloaded (FOLLOW UNLOADING INSTRUCTIONS) and pointed in a safe direction.
- **2)** Make sure the trigger block safety is engaged.

#### ***There is no excuse for not being careful.....***

- **3)** Remove the forend from the barrel by pulling out the lever in the lower center of the forend and removing the forend in a downward out ward swing motion. Never force the forend off the barrel and receiver.
- **4)** With the barrel and receiver supported with one hand push the top lever to the right fully and tip the barrel down until it disengages from the receiver. Check the barrel for damage and blockage after removal

### MANUFACTURER'S WARNING

This firearm was manufactured to properly perform with the original parts as designed. It is your duty to make sure any parts you buy are correctly installed and that neither replacements nor originals are altered or changed. Your gun is a complex tool with many parts that must relate correctly to other parts for safe and accurate operation. Putting a gun together wrong or with modified parts can result in a damaged gun, injury or death to you or others through malfunction. Always let a qualified gunsmith work on your gun or at least, check any work not performed by a gunsmith. Firearms safety is your primary concern. **THE GUN OWNER MUST ACCEPT FULL RESPONSIBILITY FOR THE CORRECT REASSEMBLY AND FUNCTIONING OF THE FIREARM AFTER ANY DISASSEMBLY OR REPLACEMENT OF PARTS.**

## Cleaning And Maintenance Of Combination Rifle / Shotgun:

**A)** Follow procedures for unloading Combination Rifle / Shotgun as described previously

**B)** Follow procedures for disassembly of Combination Rifle / Shotgun as described previously

**C)** Materials needed to clean this Combination Rifle / Shotgun are: a cleaning rod, cotton bore patches, brass bore brush, powder solvent, a small soft brush and good quality gun oil.

**WARNING:** Lead or lead compounds are known to the State of California to cause cancer, birth defects, reproductive toxicity, and other serious physical injury. Those who clean firearms should take protective measures to avoid contact or exposure to such chemicals.

***There is no excuse for not being careful.....***

**D)** Using the bore brush with powder solvent scrub the barrel and chamber to remove any powder and lead residue in the bore. Always and lastly, swab with cotton patch with gun oil to coat and protect the bore and chambers from rust and corrosion.

**E)** Any powder fowling on the firing wall, barrel, etc. can be easily cleaned with a brush and powder solvent.

**F)** All external surfaces should be wiped down with a light coat of rust preventative. Avoid using too much oil as dust and/or debris can get trapped in the oil creating a gum that in time will cause misfires.

**G)** CAUTION in using solvents in gun bore cleaning. Prolonged or excess contact with finish or bluing can damage the gun's finish. Be sure to wipe away all excess solvent and then lubricate with oil.

**H)** A gun should be cleaned after firing. In addition, external parts should be wiped with an oiled cloth after handling. A light oil is ordinarily all that is necessary in cleaning if the gun has not been fired or fired very little. If a gun is used frequently, it must be cleaned after each firing and regularly serviced by a professional gunsmith. If the gun has been stored, remove all excess oil and/or grease before firing. Always check to be sure that no cleaning patch or other obstruction remains in the bore or chambers before firing.

## DANGER - AMMUNITION WARNING

Firearms may be damaged and serious injury or death to the shooter or bystander may result from any condition which contributes to the generation of excessive pressure or uncontrolled release of gas within the firearm. Such adverse conditions can be caused by bore or chamber obstruction, propellant powder overloads or by defective, incorrect or improperly loaded and assembled cartridge components. Even the strongest firearm can be blown up as a result of excessive pressure. It is extremely dangerous to use a cartridge whose pressure is greater than that developed by cartridges loaded to industry standards.

## AMMUNITION (CARTRIDGES) NOTICE

We specifically disclaim responsibility for any damage, injury or death occurring in connection with or as the result of the use of European American Armory Combination Rifle / Shotgun of faulty, non-standard, remanufactured, hand loaded or reloaded ammunition, used cartridges or cartridges other than factory cartridges for which the firearm was originally chambered.

## LUBRICATION WARNING

Firing a Combination Rifle / Shotgun with oil, grease or any other material even partially obstructing the bore may result in damage to the Combination Rifle / Shotgun and injury to the shooter and those nearby. Do not spray or apply lubricants directly on ammunition. If the powder charge of a cartridge is affected by the lubricant, it may not be ignited, but the energy from the primer may be sufficient to push the bullet into the bore where it may become lodged. Firing a subsequent bullet into the obstructed bore will damage the Combination Rifle / Shotgun and may cause injury to the shooter and those nearby. Use lubricants properly. You are responsible for the proper care and maintenance of your firearm and ammunition.

## ONE YEAR LIMITED WARRANTY

This European American Armory Corp. firearms is warranted to the original retail customer for One Year from date of purchase against defects in material and workmanship. All parts and labor or replacement **at our option** are covered. Wood Stock and Wood Forend are not covered by the One Year Warranty. The warranty on the wood stock and forend is 60 days from purchase and only covers manufactured and material defects.

Transportation to and from our repair facilities, government fees, damage caused by failure to perform normal maintenance, sales outside the United States, damage due to use of high velocity, high pressure, reloaded or other nonstandard ammunition, or any unauthorized repair, modification, misuse, abuse, or alteration of the product is not covered by this Limited Warranty.

Any implied warranties, including the implied warranties of merchantability and fitness for a particular purpose, are limited to one year from date of original retail purchase. Consequential or incidental damages and/or expenses, or any other expenses are not covered by this warranty.

To obtain warranty performance send your firearm with proof of retail purchase, freight prepaid to:

European American Armory Corp.  
3855 North U.S. Highway One  
Cocoa, Florida 32926

## WARNING

Altering or modifying parts and/or internal safeties is dangerous and will void the warranty. This Combination Rifle / Shotgun was manufactured to perform properly with the original parts as designed. It is your duty to make sure any parts you buy are made for this firearm and are installed correctly and that neither the replacements nor originals are altered or changed. Your gun is a complex precision tool with many parts that must relate correctly to other parts in order for proper and safe operation. Putting a gun together wrong or with incorrect or modified parts can result in a damaged gun, danger, and injury or death to you and others through malfunction. Always have a qualified gunsmith work on your gun or at least check any work not performed by a gunsmith.

## YOUR OWNERS' MANUAL

Always keep this manual with your firearm. Make sure you understand all the warnings, operation instructions and safety procedures. When you lend, give or sell the firearm, be sure this manual goes with it. You can get a copy of this manual from European American Armory on request.

ALL PARTS ORDERS ARE SUBJECT TO A \$10.00 CHARGE FOR SHIPPING AND HANDLING. Please state Model, Caliber, Serial Number, and Finish Color when ordering. For parts, information and service contact: European American Armory Corp., 3855 North U.S. Highway One, Cocoa, Florida 32926 Phone: (321) 639-4842.

### **Screw in Chokes Symbols / Markings (This is an option not all IZH94 "Sever" shotguns have this feature)**

The end of the chokes are marked with slashes to determine choke

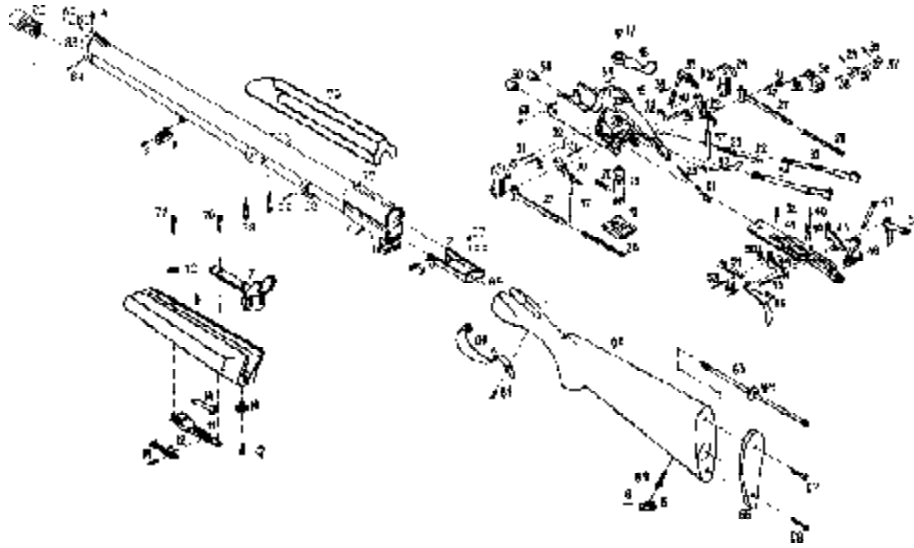
- / - Full
- // - Improved Modified
- /// - Modified
- //// - Improved Cylinder
- CI - Cylinder

Make sure that you fully install the choke tube before you fire the shotgun. The chokes are right hand thread. Make sure that you do not cross thread the chokes and after use remove the choke tube and clean the choke tube threads and location in the barrel where the choke tube thread into.



## PARTS LIST

Fig. 1 - IZH94 "Sever" Exploded View



- |                         |                              |                             |
|-------------------------|------------------------------|-----------------------------|
| 1. Barrel               | 29. Right sear               | 58. Cocking cam             |
| 2. Extractor            | 30. Left sear                | 59. Cocking cam pivot       |
| 3. Extractor screw      | 31. Sear pivot               | 60. Trigger guard           |
| 4. Front sight          | 32. Sear spring              | 61. Woodscrew               |
| 5. Sling swivel ring    | 33. Right cocking bar        | 62. Buttstock               |
| 6. Sling swivel pivot   | 34. Left cocking bar         | 63. Buttstock screw         |
| 7. Hinge                | 35. Safety slide             | 64. Washer                  |
| 8. Forend               | 36. Safety base              | 66. Buttplate               |
| 9. Forend screw         | 37. Safety                   | 67. Woodscrew               |
| 10. Forend screw rim    | 38. Safety pivot             | 68. Woodscrew               |
| 11. Forend latch base   | 39. Safety spring            | 69. Rear sling swivel base  |
| 12. Forend latch        | 40. Spring                   | 70. Hinge screw             |
| 13. Forend latch pivot  | 41. Connecting-link          | 71. Forend latch screw      |
| 14. Forend latch spring | 42. Pin                      | 72. Washer                  |
| 15. Receiver            | 43. Safety-onbar             | 77. Rear sight              |
| 16. Top lever           | 44. Interceptor              | 78. Upper forend screw      |
| 17. Top lever screw     | 46. Spring                   | 79. Upper forend            |
| 18. Locking bar rocker  | 47. Screw                    | 80. Front sight plunger     |
| 19. Locking bar         | 48. Bridge                   | 81. Front sight spring      |
| 20. Spring              | 49. Trigger base             | 82. Screw-in choke          |
| 21. Top firing pin      | 50. Screw                    | 83. Front barrel bushing    |
| 22. Bottom firing pin   | 51. Locking bar catch        | 84. Pin                     |
| 23. Firing pin spring   | 52. Locking bar catch spring | 85. Extractor retaining pin |
| 24. Right hammer        | 53. Locking bar catch pivot  | 86. Extractor pin spring    |
| 25. Left hammer         | 54. Right trigger            | 87. Extractor pin           |
| 26. Hammer pivot        | 55. Left trigger             | 88. Hinge shoulder          |
| 27. Mainspring guide    | 56. Trigger pivot            | 89. Pin                     |
| 28. Mainspring          | 57. Trigger bar              |                             |

 **WARNING**

Children are attracted to and can operate firearms that can cause severe injuries or death.

Prevent child access by always keeping guns locked away and unloaded when not in use. If you keep a loaded firearm where a child obtains and improperly uses it, you may be fined or sent to prison.

 **ADVERTENCIA**

A los niños les atraen las armas de fuego y los pueden hacer funcionar. Ellos pueden causarse lesiones graves y la muerte.

Evite que los niños tengan acceso a las armas de fuego guardándolas siempre con llave y descargadas cuando no las esté utilizando. Si usted tiene un arma de fuego cargada en un lugar en que un niño tiene acceso a ella y la usa indebidamente, le pueden dar una multa o enviarlo a la cárcel.