

NEAX[®]2400 IPX

Configuration Guide

for
NEAX2400 IPX Systems

(Up to Sixteen PIMs)

NEC

September 2000
NEC America, Inc.

NDA-24317
Issue 1
Stock #200831

Liability Disclaimer

NEC America, Inc. reserves the right to change the specifications, functions, or features, at any time, without notice.

NEC America, Inc. has prepared this document for the exclusive use of its employees and customers. The information contained herein is the property of NEC America, Inc. and shall not be reproduced without prior written approval from NEC America, Inc.

NEAX and D^{term} are registered trademarks of NEC Corporation.

Copyright 1999
NEC America, Inc.
Printed in USA.

All other brand or product names are or may be trademarks or registered trademarks of, and are used to identify products or services of, their respective owners.

NEAX2400 Reference

It should be recognized that reference to NEAX2400 IMX still refers to the NEAX2400 IMS Family of Products. In many parts of this document, the IMS has been left out due to length of the name. For the purpose of this document, it was decided to shorten the name for clarity. As an example, NEAX2400 IMS IMX is shortened to NEAX2400 IMX. The NEAX2400 Family of Products includes the Regular Density System (RDS), Mixed Density System (MDS), High Density System (HDS), Integrated Communications System (ICS) and Integrated Multi-media eXchange (IMX).

Table of Contents

Introduction	1-1
NEAX2400 IPX System Introduction	1-1
System Configuration	2-1
NEAX2400 IPX System	2-1
Control Unit Installation	3-1
NEAX2400 IPX Single IMG System - 1,536 Ports	3-1
NEAX2400 IPX Multi-IMG System - 1,536 Ports	3-2
NEAX2400 IPX Multi-IMG System - 3,072 Ports	3-3
NEAX2400 IPX Multi-IMG System - 4,608 through 6,144 Ports	3-4
Control & Circuit Card Configurations	4-1
NEAX2400 IPX Single-IMG System - 1,536 Ports	4-1
NEAX2400 IPX Multi-IMG System - 1,536 Ports through 6,144 Ports	4-4
LINE and TRUNK Cards	4-8
Other Components	5-1
BASE	5-1
FAN-BOX	5-1
TOPUAA-A	5-2

System Packages **6-1**

System Package for Single IMG System or First IMG
of Multi-IMG System6-1

System Package for Second IMG (IMG1) of Multi-IMG System6-2

System Package for Third and Fourth IMGs (IMG2 & IMG3)
of Multi-IMG System6-3

Software **7-1**

Brackets **8-1**

Covers **9-1**

Cables **10-1**

Intra-Frame Cables for 4 PIM Single Stack System10-1

Intra-Frame and Inter Frame Cables for 5 and 6 PIM System10-2

Intra-Frame and Inter Frame Cables for 7 and 8 PIM System10-3

Intra-Frame and Inter Frame Cables for 9 and 10 PIM System10-4

Intra-Frame and Inter Frame Cables for 11 and 12 PIM System10-5

Intra-Frame and Inter Frame Cables for 13 PIM System10-6

Intra-Frame and Inter Frame Cables for 14 PIM System10-7

Intra-Frame and Inter Frame Cables for 15 PIM System10-8

Intra-Frame and Inter Frame Cables for 16 PIM System10-9

CPU-HUB-FCCH Cables10-10

Cables for Peripheral Equipment	11-1
Serial Interface Cables for MAT and SMDR.....	11-1
LAN Interface Cables for MAT.....	11-2
LAN Interface Cables for MAT, SMDR and Other Device.....	11-4
Single IMG System Interface to External Alarm Equipment and/or External Music Source (for Music-on-Hold).....	11-5
Multi-IMG System Interface to External Alarm Equipment and/or External Music Source (for Music on Hold).....	11-6

Introduction

This configuration guide provides information with respect to the various configurations available for the NEAX2400 IPX communications system, the procedures and methods for determining the configured quantities, and the equipment capacities at the various modular increments. Currently, a fully configured NEAX2400 IPX will support up to 6,144 universal ports.

The smallest NEAX2400 IPX consists of a Basic Module (BSCMAC) that supports 384 universal ports and the CPU. Adding Port Interface Modules (PIMs), a Time Switch Module (TSWM) and PIMs in the second IMG (IMG1) and blank modules along with PIMs in IMG2 and IMG3 expands the system to a full four (4) IMG configuration. The maximum configuration presently supported for NEAX2400 IPX system is sixteen (16) PIMs or 6,144 universal ports.

Equipment for a single IMG NEAX2400 IPX system consists of:

- ◆ A Basic Module that contains the facilities of an LPR, PIM and BASE.
- ◆ A Local Processor Rack J (LPRJ-A), providing the system control facilities and housing the single and redundant CPUs, I/O interface and system alarm cards.
- ◆ A PIM contained in the BSCMAC that can support up to 384 universal ports accommodating PA type circuit cards (line/trunk circuits, etc.).
- ◆ Up to three (3) additional PIMs, providing 384 universal ports each can be added to this IMG for a total of 1,536 universal ports in the single IMG.

A two (2) IMG NEAX2400 IPX system contains the equipment listed in the first IMG above along with the following additional equipment:

- ◆ A Basic Module containing a Time Switch Module and a 384 port PIM.
- ◆ Included in the TSWM is a Time Switch Rack (TSWRA-A) that houses **all** time division switch cards for the entire system, the common control cards to communicate with the CPU and the single or redundant Phase Lock Oscillator (PLO or PLO-A) clock cards.

NEAX2400 IPX System Introduction

- ◆ Three (3) additional PIMs can be mounted in this IMG, providing 1,536 universal ports for the second IMG. A complete two (2) IMG system provides 3,072 universal ports.

A fully configured NEAX2400 IPX system consists of four (4) IMGs and uses the equipment of the first two IMGs described above along with the following equipment:

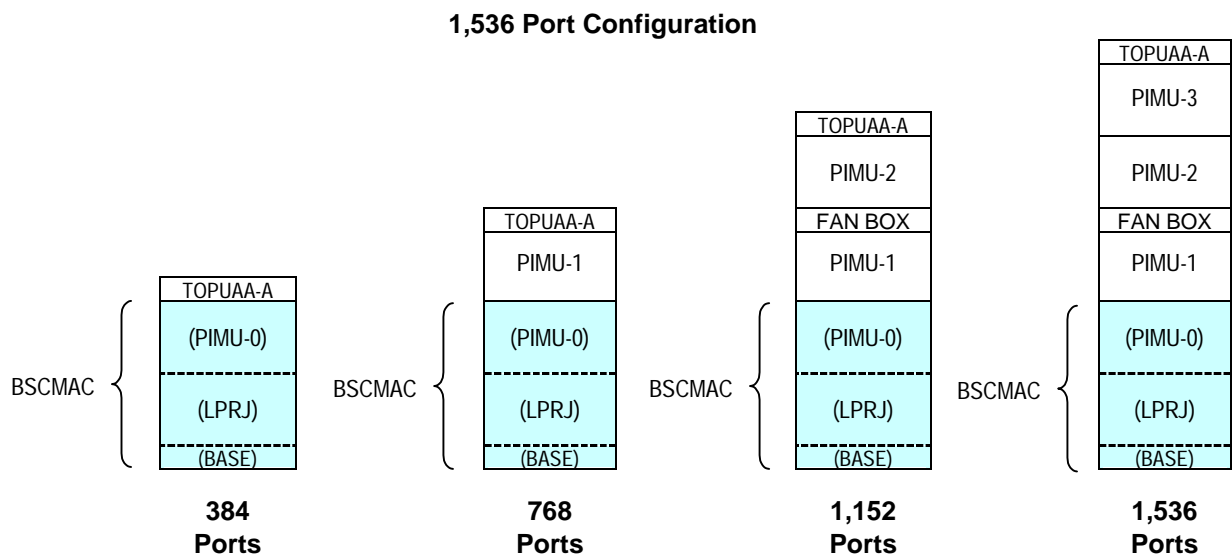
- ◆ A Basic Module in the third and fourth IMGs (IMG2 and IMG3) that contains a blank (dummy) module and a 384 port PIM.
- ◆ Three (3) additional PIMs can also be mounted in each of these IMGs as required. Therefore, the NEAX2400 IPX can be configured in 384 port increments up to the maximum system capacity of sixteen (16) total PIMs or 6,144 universal ports.

A Top Unit (TOPU) with alarm display is mounted on top of each of the four (4) IMGs. If the IMG has two (2) PIMs or less mounted (including the PIM in the BSCMAC), a Fan Unit is installed in the TOPU. If more than two (2) PIMs are mounted per IMG, the FANU is then located in the Fan Box situated between the second and third PIMs of each IMG.

System Configuration

The NEAX2400 IPX system is available in various configurations ranging from 384 universal ports up to 6,144 universal ports. These different configurations are shown below.

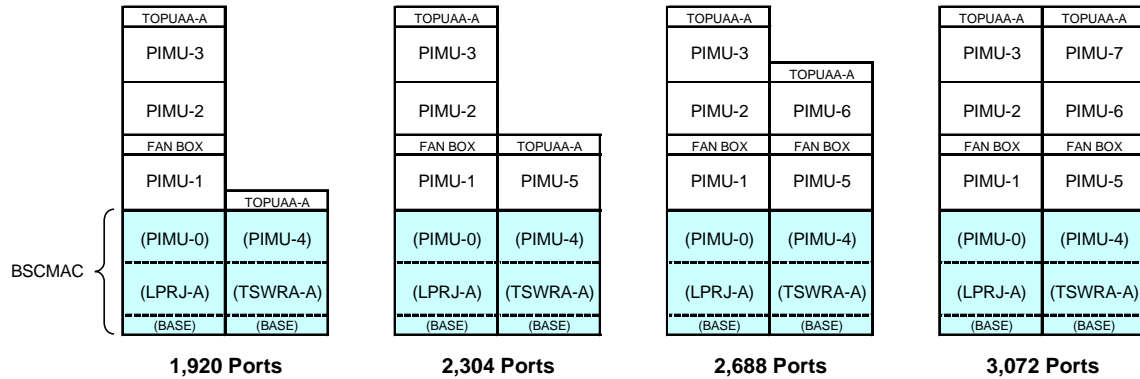
NEAX2400 IPX System



Abbreviation	Item	Stock Number	Description	Minimum		Maximum	
				Per IMG	Per System	Per IMG	Per System
TOPUAA-A	SN1599 TOPUAA-A	201397	Top Unit for IMG	1	1	1	4
BSCMAC	SN1410 BSCMAC-A	201101	Basic Module	1	1	1	1
PIMU	SN1375 PIMU-A	201119	Port Interface Module	0	0	3	12
FAN BOX	FAN BOX (NA) ASSEM	201149	Fan Box	0	0	1	4

NEAX2400 IPX System

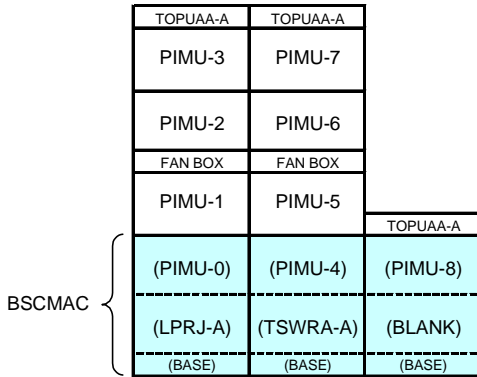
3,072 Port Configuration



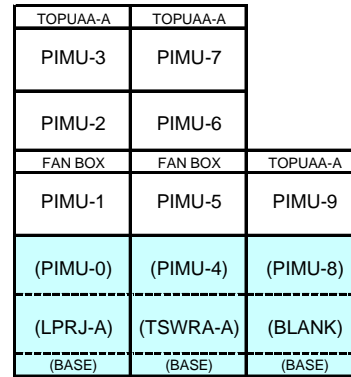
Abbreviation	Item	Stock Number	Description	Minimum		Maximum	
				Per IMG	Per System	Per IMG	Per System
TOPUAA-A	SN1599 TOPUAA-A	201397	Top Unit for IMG	1	1	1	4
BSCMAC	SN1410 BSCMAC-A	201101	Basic Module	1	1	1	4
TSWRA	SN1400 TSWRA-A	201148	Time Switch Rack	0	0	1	1
BLANK SHELF	SHELF (BLANK) ASSEM	201126	Blank Shelf Assembly	0	0	1	2
PIMU	SN1375 PIMU-A	201119	Port Interface Module	0	0	3	12
FAN BOX	FAN BOX (NA) ASSEM	201149	Fan Box	0	0	1	4

NEAX2400 IPX System

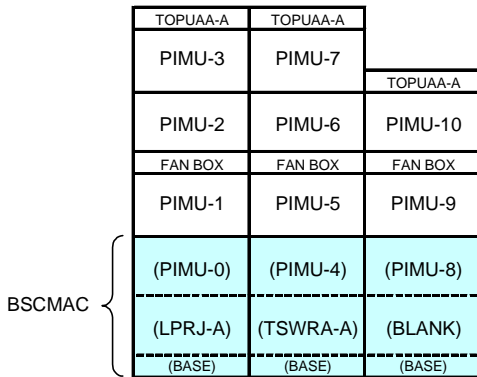
4,608 Port Configuration



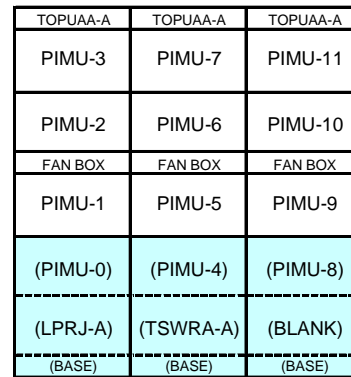
3,456 Ports



3,840 Ports



4,224 Ports



4,608 Ports

Abbreviation	Item	Stock Number	Description	Minimum		Maximum	
				Per IMG	Per System	Per IMG	Per System
TOPUAA-A	SN1599 TOPUAA-A	201397	Top Unit for IMG	1	1	1	4
BSCMAC	SN1410 BSCMAC-A	201101	Basic Module	1	1	1	4
TSWRA	SN1400 TSWRA-A	201148	Time Switch Rack	0	0	1	1
BLANK SHELF	SHELF (BLANK) ASSEM	201126	Blank Shelf Assembly	0	0	1	2
PIMU	SN1375 PIMU-A	201119	Port Interface Module	0	0	3	12
FAN BOX	FAN BOX (NA) ASSEM	201149	Fan Box	0	0	1	4

NEAX2400 IPX System

6,144 Port Configuration

TOPUAA-A	TOPUAA-A	TOPUAA-A	
PIMU-3	PIMU-7	PIMU-11	
PIMU-2	PIMU-6	PIMU-10	
FAN BOX	FAN BOX	FAN BOX	
PIMU-1	PIMU-5	PIMU-9	TOPUAA-A
(PIMU-0)	(PIMU-4)	(PIMU-8)	(PIMU-12)
(LPRJ-A)	(TSWRA-A)	(BLANK)	(BLANK)
(BASE)	(BASE)	(BASE)	(BASE)

4,992 Ports

TOPUAA-A	TOPUAA-A	TOPUAA-A	
PIMU-3	PIMU-7	PIMU-11	
PIMU-2	PIMU-6	PIMU-10	
FAN BOX	FAN BOX	FAN BOX	TOPUAA-A
PIMU-1	PIMU-5	PIMU-9	PIMU-13
(PIMU-0)	(PIMU-4)	(PIMU-8)	(PIMU-12)
(LPRJ-A)	(TSWRA-A)	(BLANK)	(BLANK)
(BASE)	(BASE)	(BASE)	(BASE)

5,376 Ports

TOPUAA-A	TOPUAA-A	TOPUAA-A	
PIMU-3	PIMU-7	PIMU-11	TOPUAA-A
PIMU-2	PIMU-6	PIMU-10	PIMU-14
FAN BOX	FAN BOX	FAN BOX	FAN BOX
PIMU-1	PIMU-5	PIMU-9	PIMU-13
(PIMU-0)	(PIMU-4)	(PIMU-8)	(PIMU-12)
(LPRJ-A)	(TSWRA-A)	(BLANK)	(BLANK)
(BASE)	(BASE)	(BASE)	(BASE)

5,760 Ports

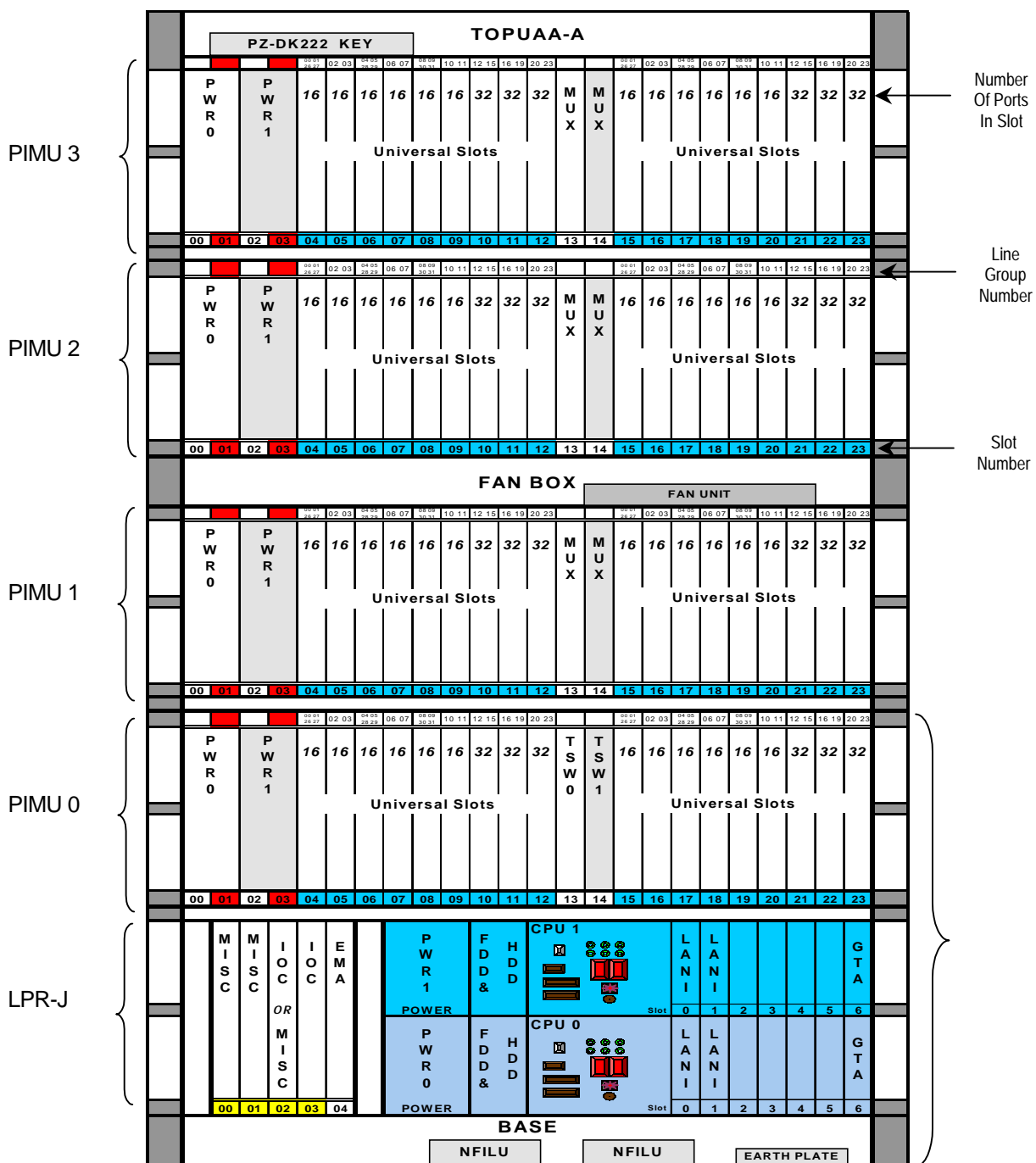
TOPUAA-A	TOPUAA-A	TOPUAA-A	TOPUAA-A
PIMU-3	PIMU-7	PIMU-11	PIMU-15
PIMU-2	PIMU-6	PIMU-10	PIMU-14
FAN BOX	FAN BOX	FAN BOX	FAN BOX
PIMU-1	PIMU-5	PIMU-9	PIMU-13
(PIMU-0)	(PIMU-4)	(PIMU-8)	(PIMU-12)
(LPRJ-A)	(TSWRA-A)	(BLANK)	(BLANK)
(BASE)	(BASE)	(BASE)	(BASE)

6,144 Ports

Abbreviation	Item	Stock Number	Description	Minimum		Maximum	
				Per IMG	Per System	Per IMG	Per System
TOPUAA-A	SN1599 TOPUAA-A	201397	Top Unit for IMG	1	1	1	4
BSCMAC	SN1410 BSCMAC-A	201101	Basic Module	1	1	1	4
TSWRA	SN1400 TSWRA-A	201148	Time Switch Rack	0	0	1	1
BLANK SHELF	SHELF (BLANK) ASSEM	201126	Blank Shelf Assembly	0	0	1	2
PIMU	SN1375 PIMU-A	201119	Port Interface Module	0	0	3	12
FAN BOX	FAN BOX (NA) ASSEM	201149	Fan Box	0	0	1	4

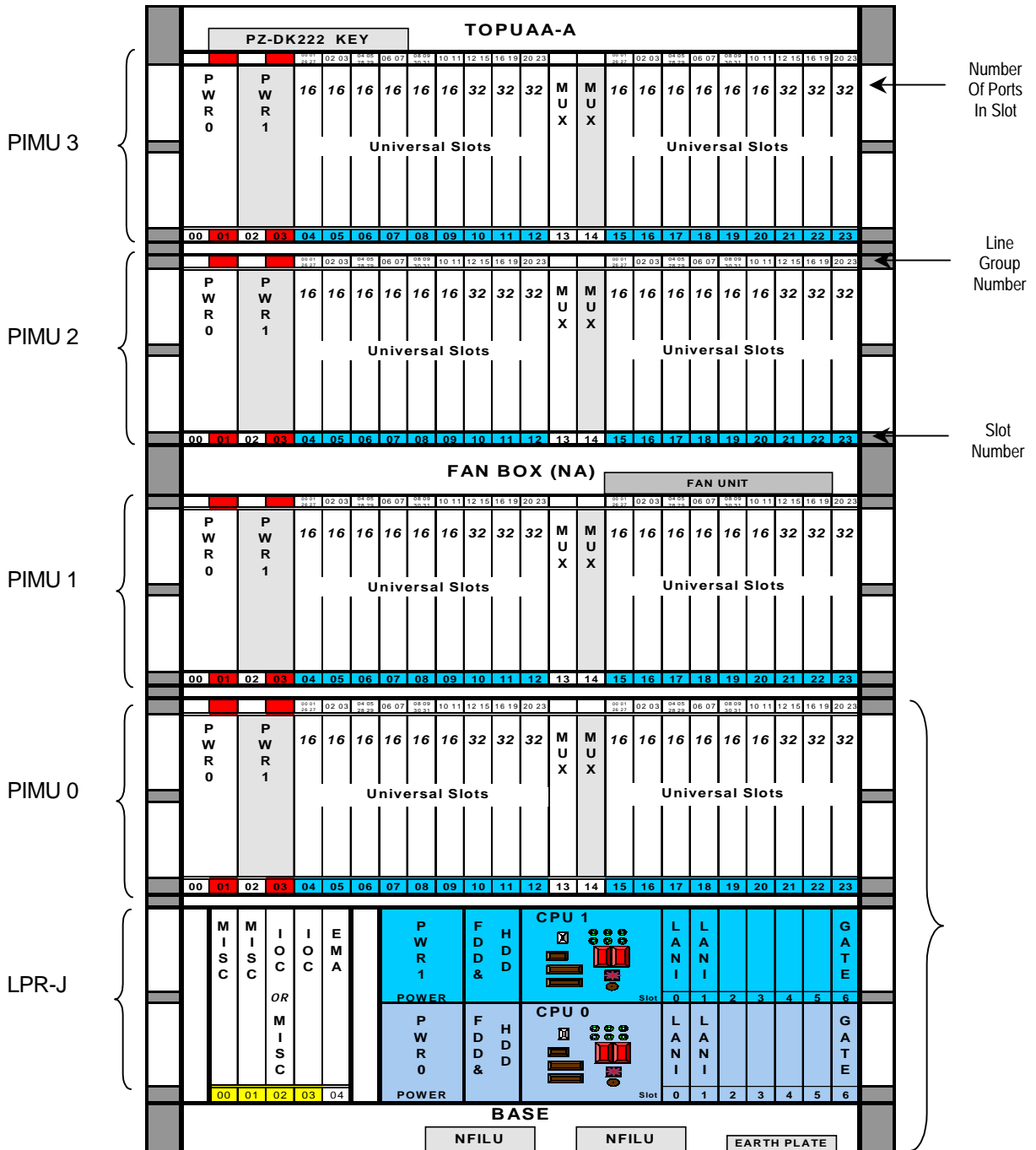
Control Unit Installation

NEAX2400 IPX Single IMG System – 1,536 Ports



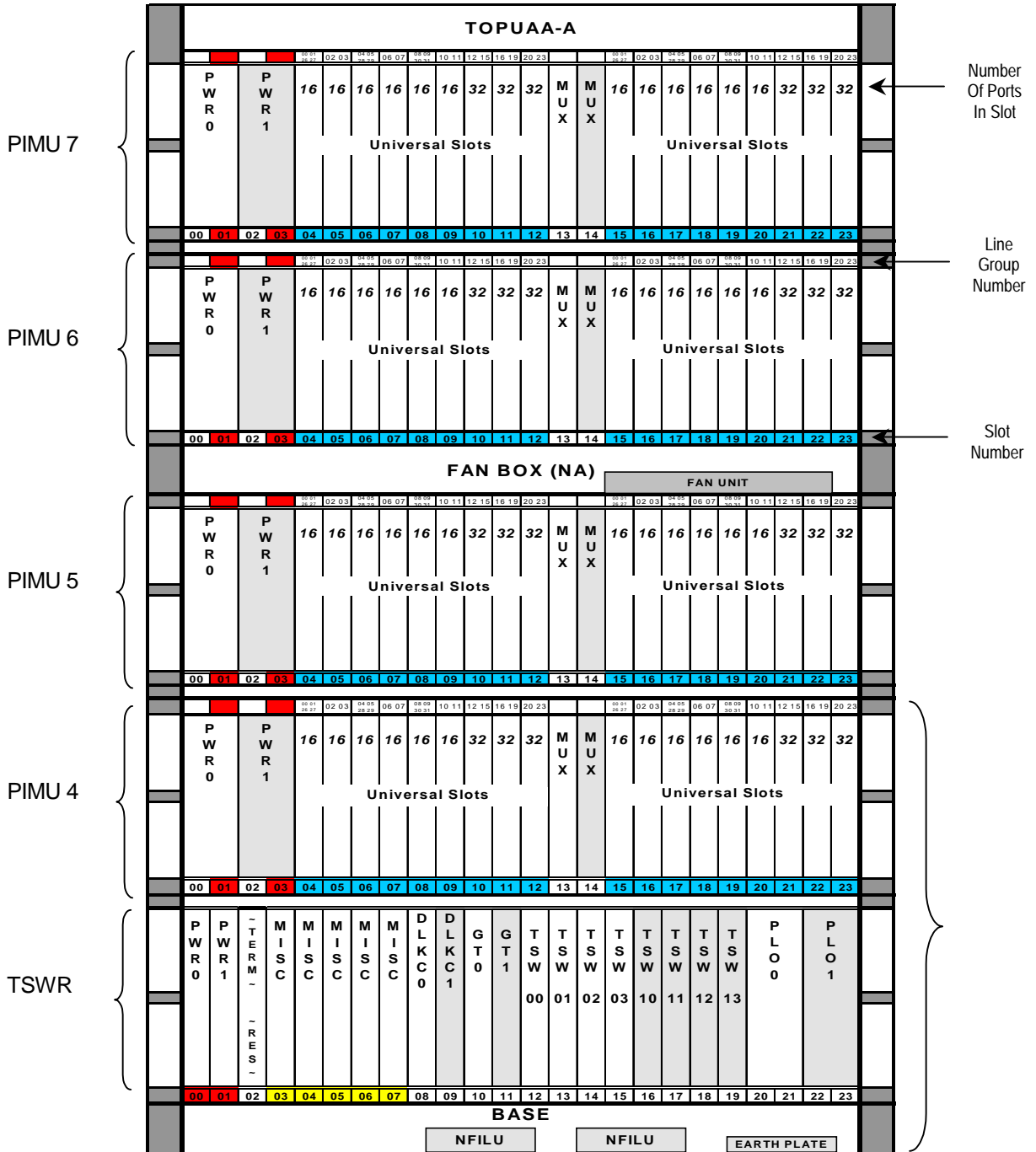
NEAX2400 IPX Multi-IMG System – 1,536 Ports

First IMG in Multi-IMG System



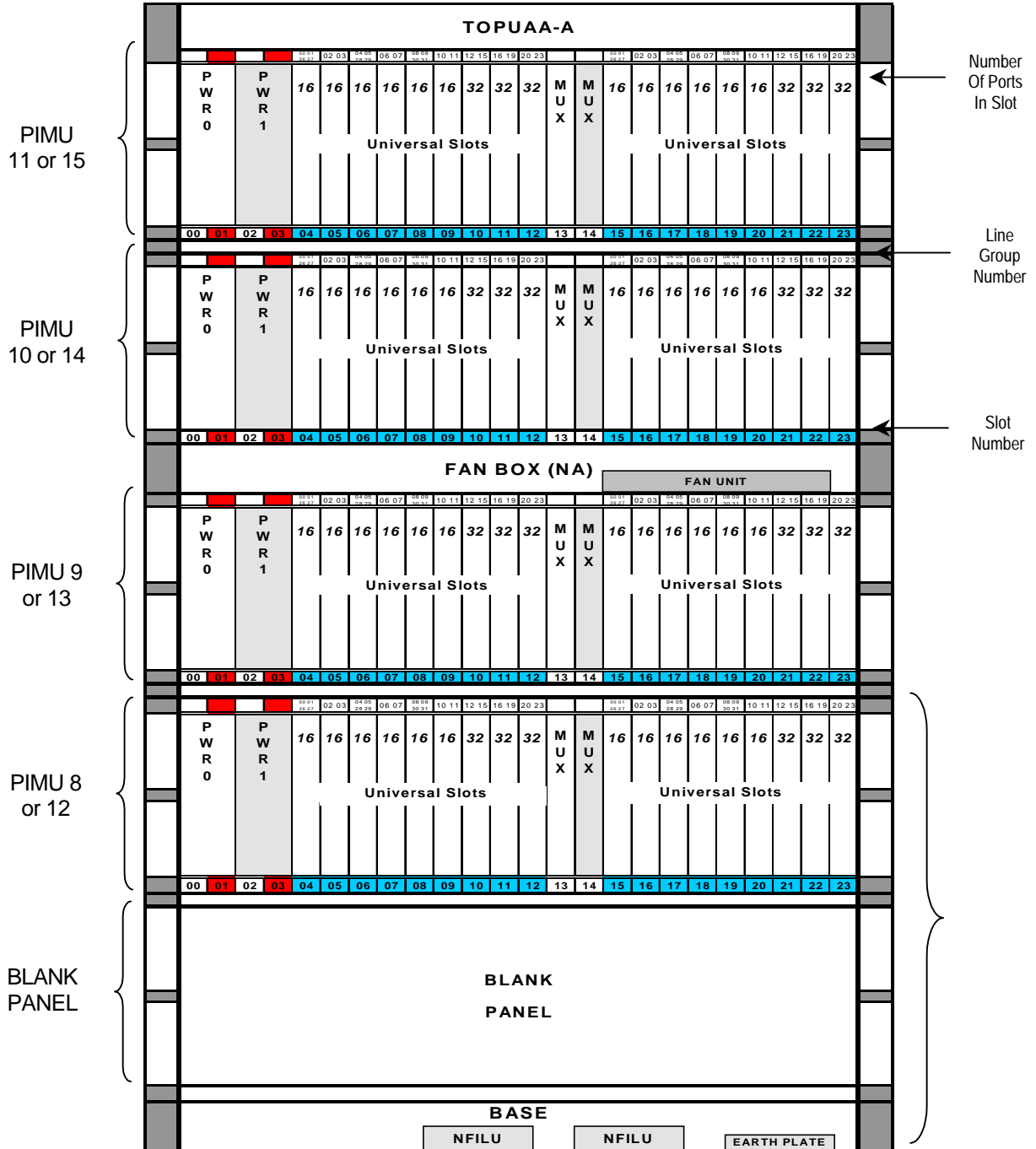
NEAX2400 IPX Multi-IMG System – 3,072 Ports

Second IMG in Multi-IMG System



NEAX2400 IPX Multi-IMG System – 4,608 through 6,144 Ports

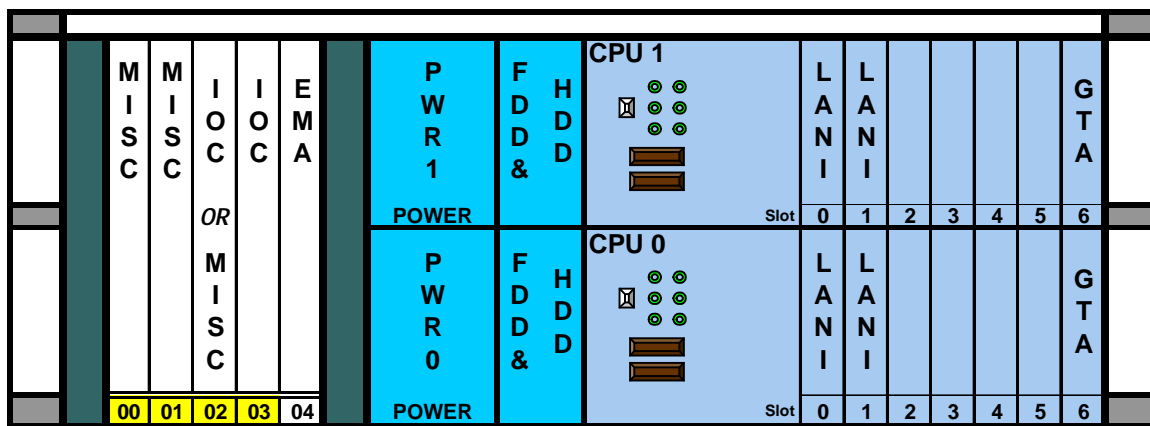
Third and Fourth IMGs in Multi-IMG System



Control & Circuit Card Configurations

NEAX2400 IPX Single IMG System – 1,536 Ports

Configuration for LPR-J

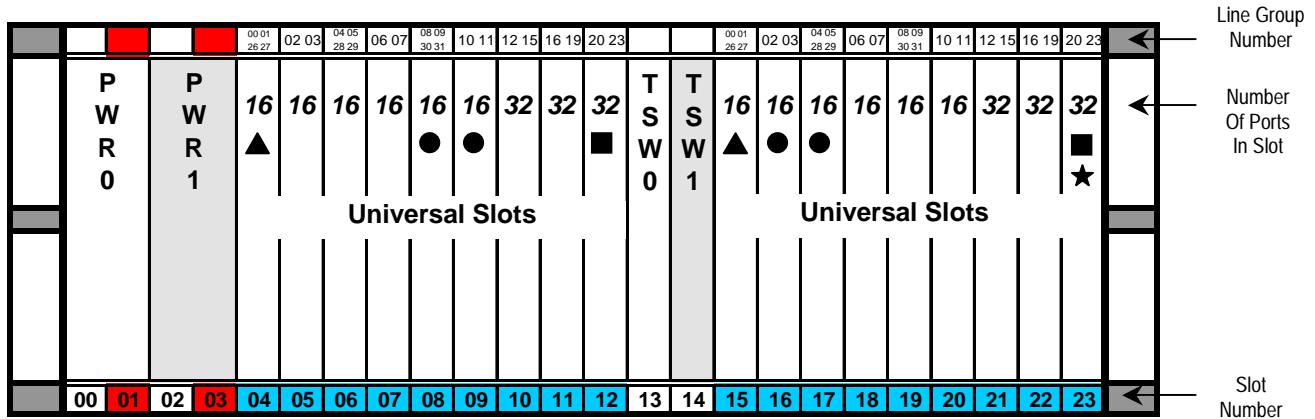


Abbr.	Item	Stock Number	Quantity	Description
CPU0	SN1595 CPRBF-A	201115	1	Pentium® CPU Sub-Module A for CPU 0 (Single CPU System)
PWR0 *	PZ-PW92 *	201277	1	Power for CPU Sub-Module 0 and Slots 00-04
CPU1	SN1595 CPRBF-A	201115	1	Pentium® CPU Sub-Module A for CPU 1 (Redundant CPU System)
PWR1 *	PZ-PW92 *	201277	1	Power for CPU Sub-Module 1 and Slots 00-04
EMA	PH-PC45 (EMA)	201379	1	Alarm Control
IOC	SPH-IO24 IOC-B PH-IO24 (IOC) SP-3920 IO24 LV2 PROG-B	201328	1 or 2	RS-232C, 4 Ports per Card - 2 Cards Maximum per System
FDD/HDD	PZ-IO28 (FDD/HDD)	201239	1 per CPRBF-A	3.5" Floppy Disk Drive and 240 MB Hard Disk Unit
GTA	PZ-GT16 (GATE)	201271	1 per CPRBF-A	ISA Bus Gate for CPR
LANI	PZ-PC19 (ETHER)	201273	2 per CPRBF-A	Ethernet Card – 1 for FCCS and 1 for Peripheral Interface

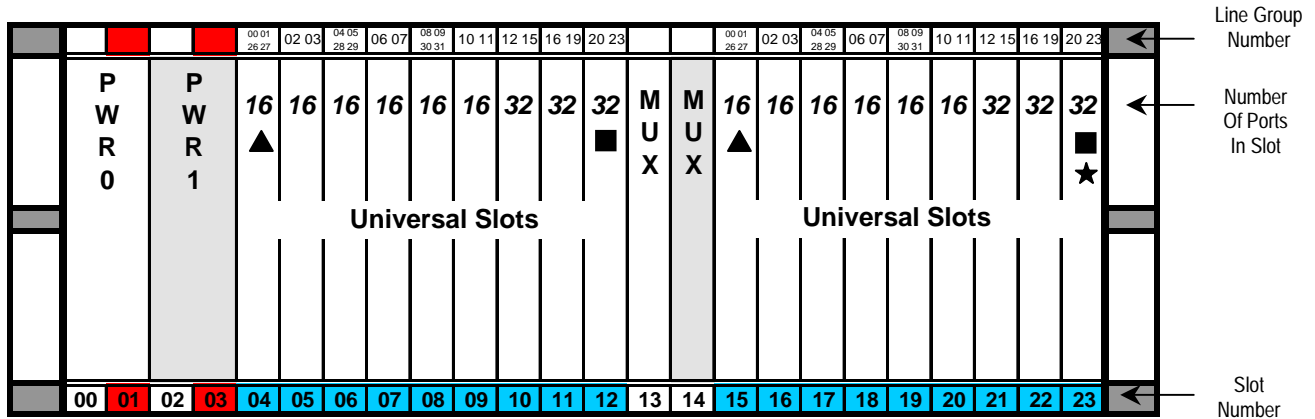
Note: * Indicates this part is included with the CPRBF-A Assembly

NEAX2400 IPX Single IMG System – 1,536 Ports (Continued)

Configuration for PIMU-0



Configuration for PIMU-1, PIMU-2 and PIMU-3



▲ ● ■ ★ See Next Page for explanation of the cards that *must* be mounted in these slots

Abbr.	Item	Stock Number	Quantity	Description
PWR0	PA-PW55-B	201361	1 for Single System	Power Supply Circuit Card
PWR1	PA-PW54-B	201360	0 for Single System 1 for Dual System	Power Supply Circuit Card for Dual Configuration
TSW	SPH-SW10TSW-UB PH-SW10 (TSW, INT, PLO) SM-025 N24 DTG DATA	201332	1 for Single System 2 for Dual System	Time Division Switch 2048 x 2048 T-1 Stage with MUX, PLO (Receiver) and 8 CFT Functions
MUX	PH-PC36 (MUX)	201238	1 for Single System 2 for Dual System	Interface to Line/Trunk Cards and 8 CFT Function
PLO-A	PA-CK14 (PLO-A)	200419	1 for Single System 2 for Dual System	Primary (Source) PLO Clock Card for T-1 Clocking

NEAX2400 IPX Single IMG System – 1,536 Ports (Continued)

PIMU Card Mounting

▲ NCU ---

When a 12NCU is to be mounted in a PIMU, it must be mounted in the slot identified by a ▲ .

● PLO-A ---

When a PLO-A is to be mounted in PIMU-0, it must be mounted in the position marked with a ● . The PLO-A is a two slot card and is mounted in slots 08-09 for a single system or slots 08-09 and 16-17 for a dual system.

■ ATI ---

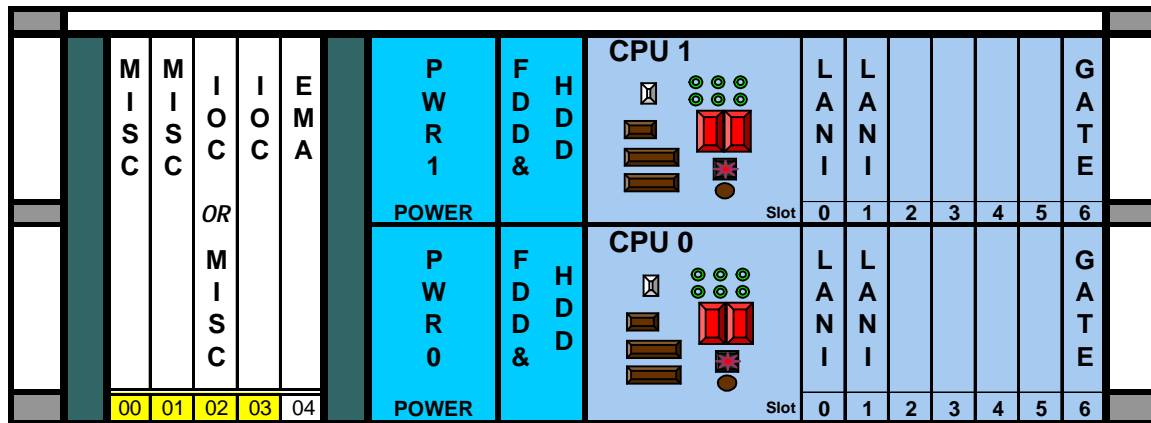
When an ATTCON is to be used, a maximum of two (2) ATTCON interface circuit cards (ATIs) may be mounted in any PIMU (maximum of four (4) ATTCONs per PIMU). These cards must be mounted in the locations marked with a ■ .

★ CFT function (three-way conference, 8 circuits) ---

One CFT function is included in the TSW (PH-SW10) and in the MUX (PH-PC36) cards. When this function is to be activated, the ports associated with the slot marked with a ★ is used. No card, other than an ATI card, may be mounted in this slot when the CFT function is activated.

NEAX2400 IPX Multi-IMG System – 1,536 through 6,144 Ports

Configuration for LPR-J



Abbr.	Item	Stock Number	Quantity	Description
CPU0	SN1595 CPRBF-A	201115	1	Pentium® CPU Sub-Module A for CPU 0 (Single CPU System)
PWR0 *	PZ-PW92 *	201277	1	Power for CPU Sub-Module 0 and Slots 00-04
CPU1	SN1595 CPRBF-A	201115	1	Pentium® CPU Sub-Module A for CPU 1 (Redundant CPU System)
PWR1 *	PZ-PW92 *	201277	1	Power for CPU Sub-Module 1 and Slots 00-04
EMA	PH-PC45 (EMA)	201379	1	Alarm Control
IOC	SPH-IO24 IOC-B PH-IO24 (IOC) SP-3920 IO24 LV2 PROG-B	201328	1 or 2	RS-232C, 4 Ports per Card - 2 Cards Maximum per System
FDD/HDD	PZ-IO28 (FDD/HDD)	201239	1 per CPRBF-A	3.5" Floppy Disk Drive and 240 MB Hard Disk Unit
GATE	PZ-GT13 (GATE)	201288	1 per CPRBF-A	ISA Bus Gate for CPR
LANI	PZ-PC19 (ETHER)	201273	2 per CPRBF-A	Ethernet Card – 1 for FCCS and 1 for Peripheral Interface

Note: * Indicates this part is *included* with the CPRBF-A Assembly

NEAX2400 IPX Multi-IMG System – 1,536 through 6,144 Ports (Continued)

Configuration for TSWRA-A

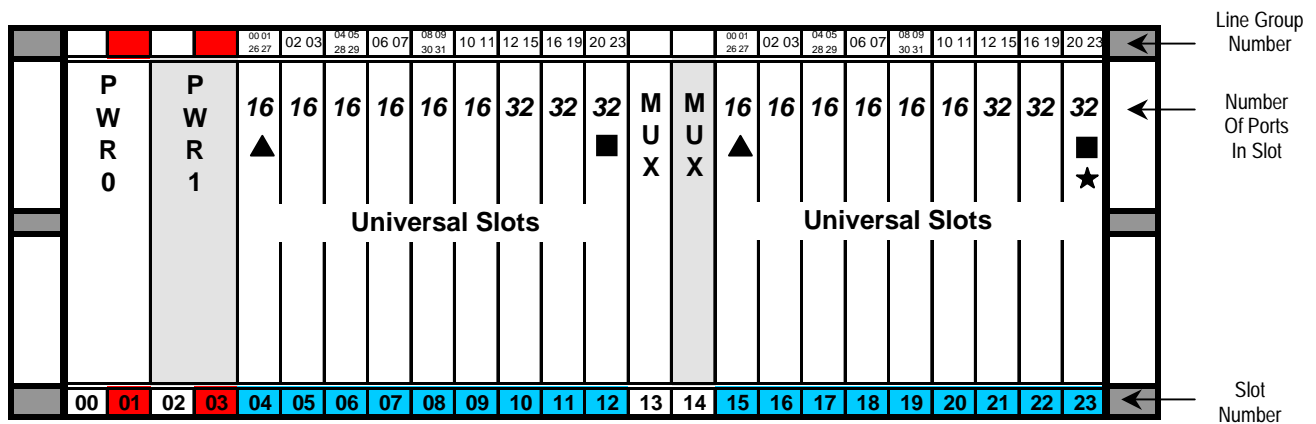
PWR0	PWR1	~TERM~	MISC	MISC	MISC	MISC	MISC	DLKC0	DLKC1	GT0	GT1	TSW00	TSW01	TSW02	TSW03	TSW10	TSW11	TSW12	TSW13	PLO0	PLO1		
00	01	02	03	04	05	06	07	08	09	10	11	12	13	14	15	16	17	18	19	20	21	22	23

Abbr.	Item	Stock Number	Quantity	Description
PWR0 / 1	PH-PW14 (PWRSW)	201270	1 for Single System 2 for Dual System	Power Supply Circuit Card for TSWR Shelf
DLKC	SPH-PC20 (DLKC)	201247	1 for Single System 2 for Dual System	Data Link Controller
GT	PH-GT09 (GATE)	201208	1 for Single System 2 for Dual System	Gate Card for TSW to CPU
TSW	SPH-SW12 TSW-UA	201283	1-4 for Single System 5-8 for Dual System	Time Division Switch 1 per Each IMG Present for Single System 2 per Each IMG Present for Dual System
TERM RES	PZ-M497 (RES)	201298	2 for Single System 4 for Dual System	Terminating Resistor for TSW – Mounted on Rear of Slot #02
PLO *	PH-CK16 (PLO) *	200428	1 for Single System 2 for Dual System	Receiver Phase Lock Oscillator for Digital Trunks or DRUs
PLO-A *	PH-CK17 (PLO-A) *	200429	1 for Single System 2 for Dual System	Source Phase Lock Oscillator for Digital Trunks or DRUs

Note: * Either a PLO or PLO-A is **REQUIRED** per system

NEAX2400 IPX Multi-IMG System – 1,536 through 6,144 Ports (Continued)

Configuration for ALL PIMs – PIMU 0 through PIMU 15



▲ ■ ★ See Next Page for explanation of the cards that **must** be mounted in these slots

Abbr.	Item	Stock Number	Quantity	Description
PWR0	PA-PW55-B	201361	1 for Single System	Power Supply Circuit Card
PWR1	PA-PW54-B	201360	0 for Single System 1 for Dual System	Power Supply Circuit Card for Dual Configuration
MUX	PH-PC36 (MUX)	201238	1 for Single System 2 for Dual System	Interface to Line/Trunk Cards and 8 CFT Function

NEAX2400 IPX Multi-IMG System – 1,536 Ports (Continued)

PIMU Card Mounting

▲ NCU ---

When a 12NCU is to be mounted in a PIMU, it must be mounted in the slot identified by a ▲ .

■ ATI ---

When an ATTCON is to be used, a maximum of two (2) ATTCON interface circuit cards (ATIs) may be mounted in any PIMU (maximum of four (4) ATTCONs per PIMU). These cards must be mounted in the locations marked with a ■ .

★ CFT function (three-way conference, 8 circuits) ---

One CFT function is included in the MUX (PH-PC36) cards. When this function is to be activated, the ports associated with the slot marked with a ★ are used. No card, other than an ATI card, may be mounted in this slot when the CFT function is activated.

LINE and TRUNK Cards

This table lists the current version of the circuit cards that may be mounted in the Universal slots of each PIMU. Older version cards may also be used; however, they may require updated Firmware Chip sets.

Note: Some older cards occupy 2 physical slots in a PIM.

Abbr.	Item	Stock Number	Quantity	Description
LC Analog Line Cards	SPA-8LCBR-A	200200	User Selected	8 LC for 2500/500 type SLT with Analog Caller ID Capability Loop Resistance: 600 Ω or Less Line Voltage: -24VDC
	SPA-16LCBY	200202	User Selected	16 LC for 2500/500 type SLT with Analog Caller ID Capability Loop Resistance: 600 Ω or Less Line Voltage: -48VDC
	SPA-16LCBJ <i>*Mfg Dis</i>	200206	User Selected	16 LC for 2500/500 type SLT Loop Resistance: 600 Ω or Less Line Voltage: -24VDC
	SPA-16LCBJ-UA <i>*Mfg Dis</i>	200207	User Selected	16 LC for 2500/500 type SLT Loop Resistance: 600 Ω or Less Line Voltage: -24VDC
	SPA-16LCBJ-B	200208	User Selected	16 LC for 2500/500 type SLT Loop Resistance: 600 Ω or Less Line Voltage: -24VDC
	SPA-16LCBE <i>*Mfg Dis</i>	240207	User Selected	16 LC for 2500/500 type SLT Loop Resistance: 1200 Ω or Less Line Voltage: -48VDC
	SPA-16LCBW	200212	User Selected	16 LC for 2500/500 type SLT Loop Resistance: 1200 Ω or Less Line Voltage: -48VDC
	SPA-24LCBV	200219	User Selected	24 LC for 2500/500 type SLT Loop Resistance: 600 Ω or Less Line Voltage: -24VDC
	LC CA	201097	1 per 3	Front Cable for 3-24LCBV Cards

LINE and TRUNK Cards (Continued)

Abbr.	Item	Stock Number	Quantity	Description
ELC Electronic Line Cards (Digital)	SPA-16ELCJ *Mfg Dis	200244	User Selected	16 ELC for D ^{term} Series III or E (2 wire) Distance: Up to 850M (24AWG) Voice Only: 16 D ^{term} Series III or E Circuits Voice and Data: 8 D ^{term} Series III or E Circuits
	SPA-16ELCJ-B *Mfg Dis	200245	User Selected	16 ELC for D ^{term} Series III or E (2 wire) Distance: Up to 2,788 ft. (850 m) (24AWG) Voice Only: 16 D ^{term} Series III or E Circuits Voice and Data: 8 D ^{term} Series III or E Circuits
	SPA-16ELCJB-A *Mfg Dis	200246	User Selected	16 ELC for D ^{term} Series III or E (2 wire) Distance: Up to 2,788 ft. (850 m) (24AWG) Voice Only: 16 D ^{term} Series III or E Circuits Voice and Data: 8 D ^{term} Series III or E Circuits
	SPA-16ELCJB-B	200247	User Selected	16 ELC for D ^{term} Series III or E (2 wire) Distance: Up to 2,788 ft. (850 m) (24AWG) Voice Only: 16 D ^{term} Series III or E Circuits Voice and Data: 8 D ^{term} Series III or E Circuits
COT Analog Central Office Trunks	SPA-8COTBJ-A	200100	User Selected	8 Line Central Office Trunk (Loop or Ground Start) with Analog Caller ID Loop Resistance: 1800 Ω or Less
	SPA-16COTBE *Mfg Dis	200102	User Selected	16 Line Central Office Trunk (Loop or Ground Start) Loop Resistance: 1800 Ω or Less
	SPA-16COTBE-A	200103	User Selected	16 Line Central Office Trunk (Loop or Ground Start) Loop Resistance: 1800 Ω or Less
	SPA-16COTBW	200105	User Selected	16 Line Central Office Trunk (Loop or Ground Start) with E911 interface Loop Resistance: 1800 Ω or Less
TLT Analog Tie Trunks <i>and</i> DID Trunks	SPA-8TLTR	200111	User Selected	8 Line Universal Trunk for: 8 - DID Trunks 8 - 2 Wire E&M Trunks 8 - 4 Wire E&M Trunks 4 - 2/4 Wire E&M plus 4 DID Trunks Front Cable is Required for 5 Lines or more in 4 Wire E&M Operation Loop Resistance: 2450 Ω or Less on DID Trunks

LINE and TRUNK Cards (Continued)

Abbr.	Item	Stock Number	Quantity	Description
RST Register/Sender	SPA-8RSTK <i>*Mfg Dis</i>	201157	User Selected	Register Sender Trunk for DP, DTMF and MF Operation
	SPA-8RSTM	201158	User Selected	Register Sender Trunk for DP, DTMF and MF Operation
	SPA-8RSTY	200211	User Selected	Register Sender Trunk with FSK Modem Signaling for Analog Caller ID Transmission to the SPA-16LCBY. This RST is used only for Analog Caller ID purposes.
Miscellaneous	SPA-4DATB	200524	User Selected	Digital Announcement Trunk with 4 -60 Second Announcements or 2 -120 Second Announcements or 1 -240 Second Announcement
	NEAX2400 CFTB-D	242133	User Selected	8 Party Conference Trunk
	NEAX2400 CFTB-L	200133	User Selected	8 Party Conference Trunk for Station Add-On Conference
	NEAX2400 CFTB-C	200135	User Selected	8 Party Conference Trunk for Wireless Group Call – 1 Card = 8 Parties, 2 Cards = 14 Parties or 3 Cards = 20 Parties per Conference
	PA-4AMPB <i>*Mfg Dis</i>	200525	User Selected	Pooled Amplifier Trunk for Network Call Amplification
	SPA-4AMPC	200526	User Selected	Pooled Amplifier Trunk for Network Call Amplification
DTI Digital Trunks, CCIS No. 7 and ISDN	SPA-24DTR	200126	User Selected	24 Channel Digital Interface (1.5 AMI)
	SPA-24CCTA	200128	User Selected	24 Channel Digital Interface with CCH for CCITT No. 7 Signaling to another NEAX2400, NEAX2000 or NEAX1400 System
	SPA-24PRTBA-B	200136	User Selected	24 Channel Primary Rate Interface ISDN Trunk (DTI with DCH)
	SPA-4ILCH	200145	User Selected	4 Circuit ISDN BRI Line Card for National ISDN-1 Terminal – “U” Interface – Requires NT1 Terminator
	SPA-8ILCEA-B	200150	User Selected	8 Circuit ISDN BRI Line Card for National ISDN-1 Terminal with “S” or “T” Interface
	SPA-2DCHA	201362	User Selected	D-Channel Handler for 24DTR when used as ISDN PRI Trunk
	SPA-2CCHA	201376	User Selected	Common Channel Handler for 24DTR when used as CCIS Trunk
	SPA-2RCTA	200264	User Selected	Rate Conversion Trunk

LINE and TRUNK Cards (Continued)

Abbr.	Item	Stock Number	Quantity	Description
Optical Interface	SPA-SDT-A	200160	User Selected	OC1 (52M) Fiber Interface card
	SPA-SDT-B	200161	User Selected	2 x 14T1 MUX card
	SDT CA-A	201098	User Selected	Front cable between Dual SDT-A & SDT-B
	SDT CA-B	201099	User Selected	Front cable between Single SDT-A & SDT-B
Digital Lines	SPA-24DLI	200556	User Selected	24 Circuit Digital Line Card for Line Side T-1 Connections
Wireless Interface	SPA-4CSIC	200123	User Selected	Interface Cards for Zone Transceivers – ISDN BRI S/T Interface – 4000 ft. (1,219 m)
	SPA-4CSID	200124	User Selected	Interface Cards for Zone Transceivers – ISDN BRI U Interface – 18,000 ft. (5,486 m) Requires NT1 Terminator
Data	NEAX2400 4MDMT-C	240131	User Selected	Modem Trunk Use Pooling Modem Cable-A Stock # 241032
	SPA-16DSTB	200140	User Selected	Digital Signaling Trunk
Analog DRU PBX Circuit Card	SPA-DAIA-A (2M AMI)	200541	User Selected	Interface for Analog DRU (2M AMI 30L) for 30 Analog Stations
	SPA-2DAID-A (2M AMI)	200542	User Selected	Interface for two Analog DRU (2M AMI 30L) for 30 Analog Stations
Analog DRU Site Equipment	DRU-30A-B (2M AMI)	200550	User Selected	30 Port Analog DRU (E1) for Analog Stations – Installed at the Station Site
Digital DRU PBX Circuit Cards	SPA-DAIJ-D (1.5M AMI) <i>*Mfg Dis</i>	200562	User Selected	Interface for Digital DRU (1.5M AMI 23L) for 23 D ^{term} III or E Stations
	SPA-DAIJA-D (1.5M AMI)	200572	User Selected	Interface for Digital DRU (1.5M AMI 23L) for 23 D ^{term} III or E Stations
	SPA-DAIG-D (2M AMI) <i>*Mfg Dis</i>	200564	User Selected	Interface for Digital DRU (2M AMI 30L) for 30 D ^{term} III or E Stations
	SPA-DAIGA-D (2M AMI)	200574	User Selected	Interface for Digital DRU (2M AMI 30L) for 30 D ^{term} III or E Stations
Digital DRU Site Equipment	DRU-23-S3T (1.5M AMI) <i>*Mfg Dis</i>	200551	User Selected	23 Port Digital (T1) DRU for D ^{term} Series III or E Stations – Installed at the Station Site
	DRU-23-SE (1.5M AMI)	200561	User Selected	23 Port Digital (T1) DRU for D ^{term} Series III or E Stations – Installed at the Station Site
	DRU-30-S3T (2M AMI) <i>*Mfg Dis</i>	200553	User Selected	30 Port Digital (E1) DRU for D ^{term} Series III or E Stations – Installed at the Station Site
	DRU-30-SE (2M AMI)	200563	User Selected	30 Port Digital (E1) DRU for D ^{term} Series III or E Stations – Installed at the Station Site

LINE and TRUNK Cards (Continued)

Abbr.	Item	Stock Number	Quantity	Description
FCCH	SPA-FCHA-A	201242	User Selected	Fusion Call Control Handler for FCCS Networked Connections to Other NEAX2400 IPX Systems
HUB	PA-M96 (HUB)	201201	User Selected	Ethernet Hub for FCCH or External Device Connections (MAT, SMDR, VM, IVR, ACD MIS, etc.)
PLO Clock Cards	PH-CK14 (PLO)	200419	1 for Single 2 for Dual	Source Clock – Phase Lock Oscillator for Digital Trunks & DRUs – Mounts in PIM Used in a Single IMG (up to 4 PIMs) System only
	PH-CK16-A (PLO) ♦	200432	1 for Single 2 for Dual	Receiver Clock – Phase Lock Oscillator for System Clocking, Digital Trunks & DRUs – Mounts in TSWR NOTE: Requires #201691 EXCLK CA-A – 1 Single / 2 Dual
	PH-CK17-A (PLO-A) ♦	200433	1 for Single 2 for Dual	Source Clock – Phase Lock Oscillator for System Clocking, Digital Trunks & DRUs – Mounts in TSWR NOTE: Requires #201693 EXCLK CA-A – 1 Single / 2 Dual
Attendant Console Interface	PA-CS33 (ATI-A)	201327	User Selected	2 Circuit Desk Console Interface Card for SN716 DESKCON Attendant Console with or without SN718 H/M ADD-ON CON-A (Hotel/Motel)
	PA-CS02C (2ATI)	201322	User Selected	2 Circuit Console Interface Card for SN619 Business Console (<i>Old Style</i>)
	PA-CS08C ((2H/M ATI)	201159	User Selected	2 Circuit Hotel/Motel Console Interface Card for HA-710Z Hotel Console (<i>Old Style</i>)
IP TRK	SPA-8IPTB-B	200152	User Selected	8 Channel Internet Protocol Digital Interface
	SPZ-8VCTB-B	200172	User Selected	8 Channel Internet protocol Digital Interface card for adding channel to SPA-8IPTB-B NOTE: Requires 1 SPA-8IPTB-B
IP ELC	SPA-32IPLB	200175	User Selected	32 Circuit Internet Protocol ELC for IP enabled D ^{term} Instruments

Note: ♦ Either a CK16-A or CK17-A **MUST** be provided in IPX System

Other Components

BASE



Abbr.	Item	Stock Number	Quantity	Description
BASE	BASE	N/A	1 Unit Included as Part of BSCMAC or BSCMAE for Each IMG	
NFILU	SN1135 NFILU-A	201166	1 Unit is Included with BASEU as Standard Equipment. Requires 1 Additional Unit for <i>each</i> IMG with 3 or 4 PIMs	Noise Filter Unit for EMI Protection
EARTH PLATE	EARTH PLATE (A) ASSEM	201320	1 per PIMU – 4 Maximum per IMG	For External and L/T Cables to Prevent Noise

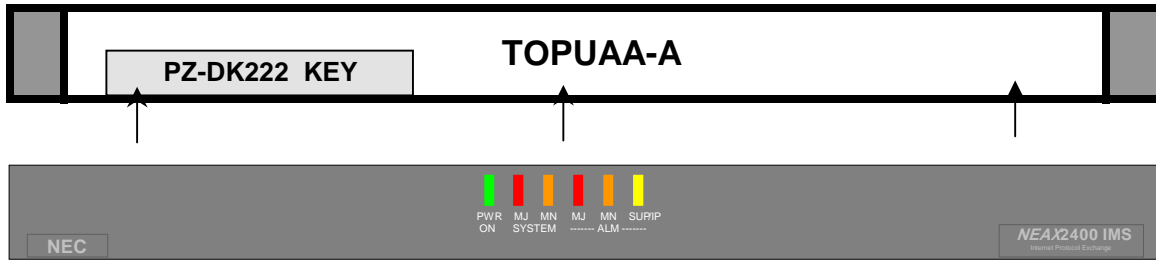
FAN BOX



Abbr.	Item	Stock Number	Quantity	Description
FAN BOX	FAN BOX (NA) ASSEM	201149	0 for IMGs with 1 or 2 PIMs 1 for IMGs with 3 or 4 PIMs	Fan Box for IMGs with more than 2 PIMs
FANU	SN1142 FANU-A	201145	Mount 1 in Fan Box when Fan Box is Equipped – FANU is moved from TOPU - 1 per Fan Box	Air Cooling Fan for each IMG Stack

TOPUAA-A

The TOPUAA-A is used for the Single IMG NEAX2400 IPX system or for each IMG of a Multi-IMG system. A Top Screen is bonded to the front of the TOPUAA-A



Abbr.	Item	Stock Number	Quantity	Description
TOPUAA-A	SN1599 TOPUAA-A	201397	1 per IMG Stack	Top Unit for each IMG of Multi-IMG System
KEY	PZ-DK222 (KEY)	201212	1 per TOPUAA-A	Key Switch for System Data Protection and Alarm Lamp Panel – Mounted in TOPUAA-A
FANU	SN1142 FANU-A	201145	1 per IMG Stack	Air Cooling Fan – Mounted in TOPU for IMGs with 1 or 2 PIMs or in FAN BOX in IMGs with 3 or 4 PIMs

System Packages

System Package for Single IMG System or First IMG of Multi-IMG System

Stock Number	Item	Quantity	Description
200053	BSCIPX SYSTEM PKG-A		Basic System Package for Single IMG System and First IMG of Multi-IMG System
201101	SN1410 BSCMAC-A	1	Basic Module (includes BASE and BASE Components)
201128	SN1419 LPRJ-A	1	Local Processor Rack
201397	SN1599 TOPUAA-A	1	TOP Unit for IMG Stacks & Stand-Alone Modules
	NAME PLATE	1	NEC LOGO
	NAME PLATE	1	Name LOGO Plate for North America
	NAME PLATE	1	Alarm Panel with System Alarm
	NAME PLATE	1	System Name Plate for North America
	NAME PLATE	1	FCC Part 68 Label
N/A	NAME LABEL	1	IC Label
N/A	NAME LABEL	1	FCC Part 15 Label placed on rear side of Base
N/A	NAME LABEL	1	IC EMI Label placed on rear side of Base
N/A	CSA Label	1	CAUTION Label placed beside Earth Plate
201145	SN1142 FANU-A	1	Fan Unit
201212	PZ-DK222 (KEY)	1	Key and Alarm Lamp Panel
201379	PH-PC45 (EMA)	1	Emergency Alarm Controller
201361	PA-PW55-B (PWR0)	1	Power Supply 0 for PIM, APM, etc.
201328	SPA-IO24 IOC-B	1	Input/Output Interface for RS232C (includes PMS Interface)
201720	SR1211 IF CAU-A	1	Intra-Frame Cables for IMG0 BSCMAC (single)
201697	68PH S 2PORTS CA-A	1	MAT Interface Cable
201320	EARTH PLATE (A) ASSEM	1	Earth Plate Assembly for Grounding Cable Sheaths
201351	SIDE COVER (NA) ASSEM	4	Side Cover for PIMs, APMs, LPRs, etc.
201304	REAR COVER (A) ASSEM	2	Rear Cover for PIMs, APMs, LPRs, etc.
201354	SIDE COVER (NB) ASSEM	2	Side Cover for BASEU and FAN BOX
201305	REAR COVER (B) ASSEM	1	Rear Cover for BASEU and FAN BOX
201282	ICS SPARE FUSE	1	Spare Fuse Package

System Package for Second IMG (IMG1) of Multi-IMG System

Stock Number	Item	Quantity	Description
200055	IMGIPX SWITCH PKG-A		Basic System Package for Second and Third IMG (IMG1 & IMG2) of a Multi-IMG IPX System
201101	SN1410 BSCMAC-A	1	Basic Module (includes BASE, NFILU and 1 PIMU)
201148	SN1400 TSWRA-A	1	Time Switch Rack
201270	PH-PW14 (PWRSW)	1	Power Card 0 for Time Switch Rack (Single)
201208	SPH-GT09 (GATE)	1	Gate for TSWR to CPU (Single)
201238	PH-PC36 (MUX)	1	Multiplexer Interface for Line / Trunk Cards
201361	PA-PW55-B (PWR0)	1	Power Supply 0 for PIM, APM, etc. (Single)
201397	SN1599 TOPUAA-A	1	TOP Unit for IMG Stacks & Stand-Alone Modules
	NAME PLATE	1	NEC LOGO
	NAME PLATE	1	Name LOGO Plate for North America
	NAME PLATE	1	Alarm Panel with System Alarm
	NAME PLATE	1	System Name Plate for North America
	NAME PLATE	1	FCC Part 68 Label
N/A	NAME LABEL	1	IC Label
N/A	NAME LABEL	1	FCC Part 15 Label placed on rear side of Base
N/A	NAME LABEL	1	IC EMI Label placed on rear side of Base
N/A	CSA Label	1	CAUTION Label placed beside Earth Plate
201145	SN1142 FANU-A	1	Fan Unit
201320	EARTH PLATE (A) ASSEM	1	Earth Plate Assembly for Grounding Cable Sheaths
201304	REAR COVER (A) ASSEM	2	Rear Cover for PIMs, APMs, LPRs, etc.
201305	REAR COVER (B) ASSEM	1	Rear Cover for BASEU and FAN BOX

System Package for Third and Fourth IMGs (IMG2 & IMG3) of Multi-IMG System

Stock Number	Item	Quantity	Description
200054	IMGnIPX BASIC PKG-A		Basic System Package for Fourth IMG (IMG 3) of each LMG in IPX-UMG System
201101	SN1410 BSCMAC-A	1	Basic Module (includes BASE, NFILU and 1 PIMU)
201126	SHELF (BLANK) ASSEM	1	Blank Shelf for BSCMAC in IMG3
201238	PH-PC36 (MUX)	1	Multiplexer Interface for Line / Trunk Cards
201361	PA-PW55-B (PWR0)	1	Power Supply 0 for PIM, APM, etc. (Single)
201397	SN1599 TOPUAA-A	1	TOP Unit for IMG Stacks & Stand-Alone Modules
	NAME PLATE	1	NEC LOGO
	NAME PLATE	1	Name LOGO Plate for North America
	NAME PLATE	1	Alarm Panel with System Alarm
	NAME PLATE	1	System Name Plate for North America
	NAME PLATE	1	FCC Part 68 Label
	NAME PLATE	1	IC Label
N/A	NAME LABEL	1	FCC Part 15 Label placed on rear side of Base
N/A	NAME LABEL	1	IC EMI Label placed on rear side of Base
N/A	CSA LABEL	1	CAUTION Label placed beside Earth Plate
201145	SN1142 FANU-A	1	Fan Unit
201320	EARTH PLATE (A) ASSEM	1	Earth Plate Assembly for Grounding Cable Sheaths
201304	REAR COVER (A) ASSEM	2	Rear Cover for PIMs, APMs, LPRs, etc.
201305	REAR COVER (B) ASSEM	1	Rear Cover for BASEU and FAN BOX

Software

Current software for the NEAX2400 IPX system is **8400** Series Generic and Configuration programs. The following table lists the Generic and the various software Configuration Disks available for the NEAX2400 IPX System.

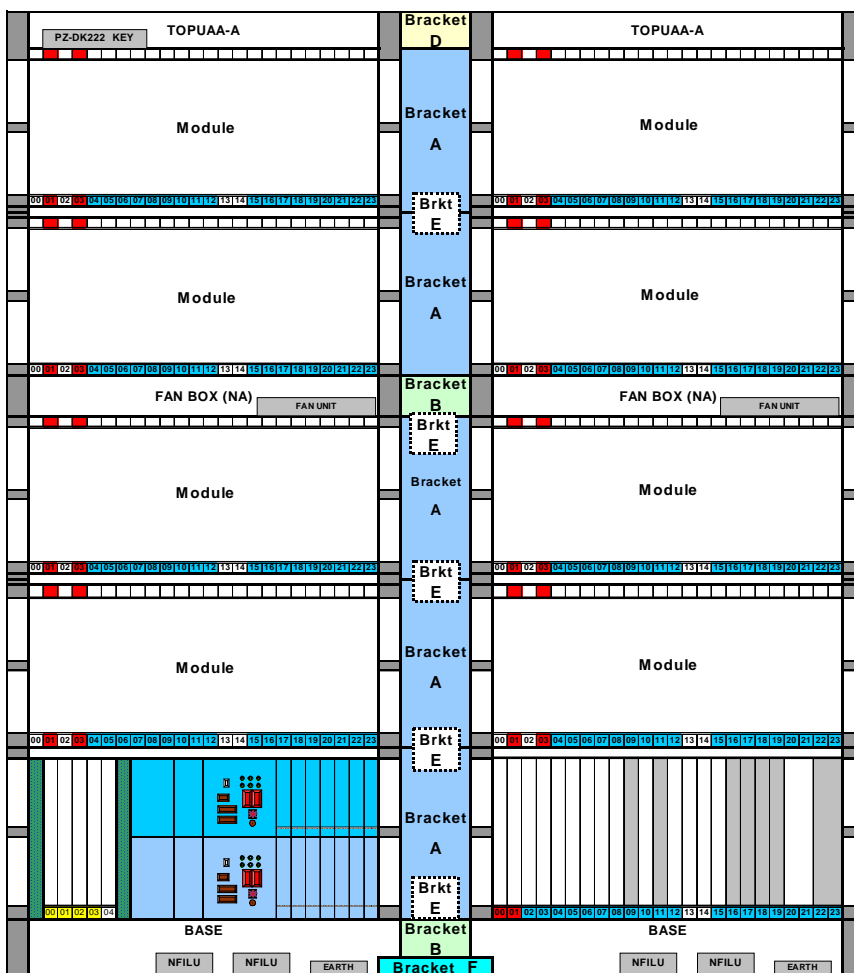
Stock Number	Software Description	Remarks	# of Ports
<i>Generic Software</i>			
210310	IPX 8400 Software B/H	IPX 8400 Generic Software Only	ALL
210311	IPX 8400 Software PKG	IPX Package (S/W, Security Key, Null Modem Conn.,etc.)	ALL
<i>Configuration Disk</i>			
210312	IPX 8400 Configuration Disk	8400 Series Software - Required for ALL IPX Systems	ALL
<i>MATWorX Suite (MAT Command Disk)</i>			
0221302	NEAX2400 MATWorX Suite	MATWorX Suite Software - Required for ALL Systems	ALL
<i>Replacement Disks and Spare Disk Sets</i>			
210015	Backup Generic/Config Disk Set	Spare (Backup) Set of Software Disks	ALL
210016	Replacement Generic/Config Disk Set	Replacement Software Disk Set	ALL
<i>Feature Package Options</i>			
210351	NEAX2400 NCN Configuration Option	Option for FUSION NCN (Network Control Node)	FCCS
210352	NETWORKING Configuration Option	Option for FCCS, CCIS, ISDN and Q.Sig Support	ALL
210353	NEAX2400 WIRELESS Configuration Option	Option for Wireless Support	ALL
210354	HOTEL/MOTEL Configuration Option	Option for Hospitality Support	ALL
210355	External OAI/ACD Configuration Option	Option for External OAI and ACD Support (Module or Package)	ALL
210369	Internal OAI Configuration Option	Option for Internal OAI	ALL
210370	Internal ACD Configuration Option	Option for Internal ACD (Requires 210369 & Agent Size)	ALL
<i>IP Configuration Options</i>			
210372	IPX IP Station Configuration Option	Option for IP Station Card Activation in IPX Systems	ALL
210373	IPX IP Trunk Configuration Option	Option for IP Trunk Card Activation in IPX Systems	ALL
<i>IACD Agent Size Options</i>			
210356	IACD - 25 Agent Configuration Option	Internal ACD w/ 25 Agents - Requires 210369 & 210370	ALL
210357	IACD - 50 Agent Configuration Option	Internal ACD w/ 50 Agents - Requires 210369 & 210370	ALL
210358	IACD - 100 Agent Configuration Option	Internal ACD w/ 100 Agents - Requires 210369 & 210370	ALL
210359	IACD - 200 Agent Configuration Option	Internal ACD w/ 200 Agents - Requires 210369 & 210370	ALL
210360	IACD - 300 Agent Configuration Option	Internal ACD w/ 300 Agents - Requires 210369 & 210370	ALL

SOFTWARE (Continued)**8400 Series**

Stock Number	Software Description	Remarks	# of Ports
<i>IACD Agent Size Options (Continued)</i>			
210361	IACD - 400 Agent Configuration Option	Internal ACD w/ 400 Agents - Requires 210369 & 210370	ALL
210362	IACD - 500 Agent Configuration Option	Internal ACD w/ 500 Agents - Requires 210369 & 210370	ALL
210363	IACD - 600 Agent Configuration Option	Internal ACD w/ 600 Agents - Requires 210369 & 210370	ALL
210364	IACD - 700 Agent Configuration Option	Internal ACD w/ 700 Agents - Requires 210369 & 210370	ALL
210365	IACD - 800 Agent Configuration Option	Internal ACD w/ 800 Agents - Requires 210369 & 210370	ALL
210366	IACD - 900 Agent Configuration Option	Internal ACD w/ 900 Agents - Requires 210369 & 210370	ALL
210367	IACD - 1000 Agent Configuration Option	Internal ACD w/ 1000 Agents - Requires 210369 & 210370	ALL
210368	ACD Agent Anywhere Configuration Option	Agent Anywhere Configuration Option & 210369 are Required at the Main IPX and ALL Remote IPX sites	ALL
<i>PIM Configuration Option</i>			
210315	NEAX2400 1 PIM Configuration Option	Configuration Option for 1 PIM-C or 1 PIM-J / U	368 / 384
210316	NEAX2400 2 PIM Configuration Option	Configuration Option for 2 PIM-Cs or 2 PIM-J / U's	732 / 768
210317	NEAX2400 3 PIM Configuration Option	Configuration Option for 3 PIM-Cs or 3 PIM-J / U's	1,104 / 1,152
210318	NEAX2400 4 PIM Configuration Option	Configuration Option for 4 PIM-Cs or 4 PIM-J / U's	1,472 / 1,536
210319	NEAX2400 5 PIM Configuration Option	Configuration Option for 5 PIM-Cs or 5 PIM-J / U's	1,840 / 1,920
210320	NEAX2400 6 PIM Configuration Option	Configuration Option for 6 PIM-Cs or 6 PIM-J / U's	2,208 / 2,304
210321	NEAX2400 7 PIM Configuration Option	Configuration Option for 7 PIM-Cs or 7 PIM-J / U's	2,576 / 2,688
210322	NEAX2400 8 PIM Configuration Option	Configuration Option for 8 PIM-Cs or 8 PIM-J / U's	2,944 / 3,072
210323	NEAX2400 10 PIM Configuration Option	Configuration Option for 10 PIM-Cs or 10 PIM-J / U's	3,680 / 3,840
210324	NEAX2400 12 PIM Configuration Option	Configuration Option for 12 PIM-Cs or 12 PIM-J / U's	4,416 / 4,608
210325	NEAX2400 14 PIM Configuration Option	Configuration Option for 14 PIM-Cs or 14 PIM-J / U's	5,152 / 5,376
210326	NEAX2400 16 PIM Configuration Option	Configuration Option for 16 PIM-Cs or 16 PIM-J / U's	5,888 / 6,144

Brackets

Five different inter-frame brackets are used to connect frames together in a Multi-IMG NEAX2400 IPX system. **NO** inter-frame brackets are required for a Single IMG system.



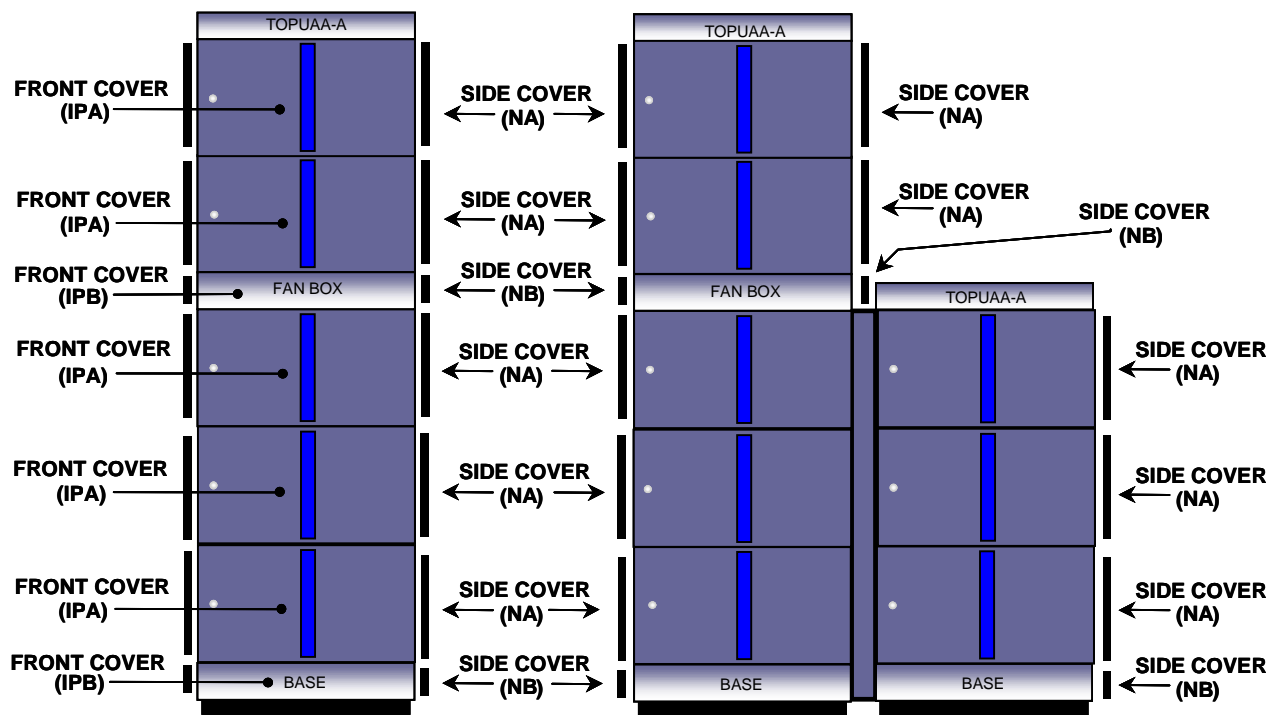
Item	Stock Number	Quantity	Description
IP I/F BRACKET (A)	201386	1 Set per Pair of Adjacent Modules	Bracket to Connect PIMs, LPRs, TSWRs and Other Modules in a Frame to Another Frame
IP I/F BRACKET (B)	201387	1 Set per Pair of Adjacent FAN BOX and BASE	Brackets to Attach FAN BOX or BASE Between Frames
IMX I/F BRACKET (D)	201382	1 per Pair of Adjacent Frames	Top Bracket Between Frames
ICS I/F BRACKET (E)	201313	1 Set per Pair of Adjacent Modules, BASE and FAN BOX	Spacer and Coupling Between Frames
IMX I/F BRACKET (F)	201384	1 per Set of Adjacent BASEs	Bracket to Connect BASEs Between Frames

Covers

There are two (2) basic types of covers for the NEAX2400 IPX system:

- ◆ Covers for the Modules (LPRs, TSWRs, etc.) and PIMUs
- ◆ Covers for the Base (BASE) and Fan Box

Each cover type has covers for the Front, Rear and Sides of each module. The Side covers are identical and can be used on either side of the appropriate module.

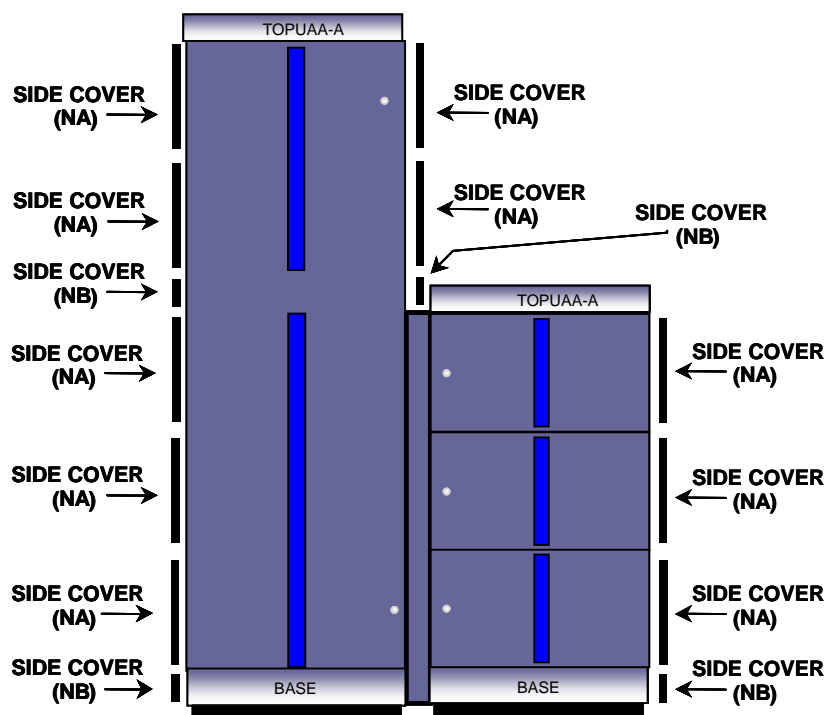


Item	Stock Number	Quantity	Description
FRONT COVER (IPA) ASSEM	201316	1 per Module – 20 Max per System	Front Cover for Module
FRONT COVER (IPB) ASSEM	201317	1 per FAN BOX and 1 per BASE 8 Max per System	Front Cover for Fan Box and Base Unit
SIDE COVER (NA) ASSEM	201351	2 per Module – 10 Max per System	Side Cover for Module
SIDE COVER (NB) ASSEM	201354	2 per FAN BOX and 2 per BASE 4 Max per System	Side Cover for Fan Box and Base Unit
REAR COVER (A) ASSEM	201304	1 per Module – 20 Max per System	Rear Cover for Module
REAR COVER (B) ASSEM	201305	1 per Fan Box and 1 per BASEU 8 Max per System	Rear Cover for Fan Box and Base Unit

COVERS (Continued)

As an option to the individual Module Front Covers [Front Cover (IPA) Assem], a full stack Front Cover (IPF) Assem is also available. This is a single cover assembly that will cover a 5 Module IMG stack including the FAN BOX. A separate Front Cover (IPB) Assem for the BASE unit is required in addition to the Front Cover (IPF) Assem for each IMG Stack.

As indicated on the previous page, each Side Cover is identical and can be used on either side of the appropriate Module.



Item	Stock Number	Quantity	Description
FRONT COVER (IPF) ASSEM	201399	1 per IMG Stack – 4 Max per System	Front Cover for full IMG Stack
FRONT COVER (IPB) ASSEM	201317	1 per BASE when using FRONT COVER (IPF) ASSEM 4 Max per System	Front Cover for Base Unit
SIDE COVER (NA) ASSEM	201351	2 per Module – 10 Max per System	Side Cover for Module
SIDE COVER (NB) ASSEM	201354	2 per FAN BOX and 2 per BASE 4 Max per System	Side Cover for Fan Box and Base Unit
REAR COVER (A) ASSEM	201304	1 per Module – 20 Max per System	Rear Cover for Module
REAR COVER (B) ASSEM	201305	1 per Fan Box and 1 per BASEU 8 Max per System	Rear Cover for Fan Box and Base Unit

Cables

Intra-Frame Cables for 4 PIM Single Stack System

System Configuration	384 Ports		768 Ports		1,152 Ports		1,536 Ports		
	TOPUAA-A (PIMU-0) (LPRJ) (BASE)		TOPUAA-A (PIMU-1) (PIMU-0) (LPRJ) (BASE)		TOPUAA-A (PIMU-2) FAN BOX (PIMU-1) (PIMU-0) (LPRJ) (BASE)		TOPUAA-A (PIMU-3) (PIMU-2) FAN BOX (PIMU-1) (PIMU-0) (LPRJ) (BASE)		
Cable Description	Stock #	Quantity of Intra-Frame Cables							
<i>Cables for Single System...</i>									
SR1211 IF CAU-A *	201720	1 *	1 *	1 *	1 *				
SR1211 IF CAU-B	201721		1	1	1				
SR1211 IF CAU-C	201722				1				
SR1211 IF CAU-D	201723							1	
SR1211 IF CAU-F	201726	1	1	1	1			1	
MT24 TSW CA-90	201740		1	1	1			1	
MT24 TSW CA-140	201741				1			1	
MT24 TSW CA-180	201742							1	
<i>Additional Cables for Dual System...</i>									
SR1211 IF CAU-DA	201724	1	1	1	1			1	
SR1211 IF CAU-E	201725		1	2	3				
SR1211 IF CAU-G	201727	1	1	1	1			1	
MT24 TSW CA-90	201740		1	1	1			1	
MT24 TSW CA-140	201741				1			1	
MT24 TSW CA-180	201742							1	

Note: * Indicates this Cable Unit is included in the BSCIPX SYSTEM PKG-A

Intra-Frame and Inter-Frame Cables for 5 and 6 PIM System

System Configuration	<table border="1" style="margin: auto;"> <tr><td>TOPUAA-A</td></tr> <tr><td>PIMU-3</td></tr> <tr><td>PIMU-2</td></tr> <tr><td>FAN BOX</td></tr> <tr><td>PIMU-1</td></tr> <tr><td style="text-align: center;">TOPUAA-A</td></tr> <tr><td>(PIMU-0) (PIMU-4)</td></tr> <tr><td>(LPRJ-A) (TSWRA-A)</td></tr> <tr><td>(BASE) (BASE)</td></tr> </table> <p style="text-align: center;">1,920 Ports</p>	TOPUAA-A	PIMU-3	PIMU-2	FAN BOX	PIMU-1	TOPUAA-A	(PIMU-0) (PIMU-4)	(LPRJ-A) (TSWRA-A)	(BASE) (BASE)	<table border="1" style="margin: auto;"> <tr><td>TOPUAA-A</td></tr> <tr><td>PIMU-3</td></tr> <tr><td>PIMU-2</td></tr> <tr><td>FAN BOX</td></tr> <tr><td>PIMU-1</td></tr> <tr><td style="text-align: center;">TOPUAA-A</td></tr> <tr><td>(PIMU-0) (PIMU-4)</td></tr> <tr><td>(LPRJ-A) (TSWRA-A)</td></tr> <tr><td>(BASE) (BASE)</td></tr> </table> <p style="text-align: center;">2,304 Ports</p>	TOPUAA-A	PIMU-3	PIMU-2	FAN BOX	PIMU-1	TOPUAA-A	(PIMU-0) (PIMU-4)	(LPRJ-A) (TSWRA-A)	(BASE) (BASE)
	TOPUAA-A																			
PIMU-3																				
PIMU-2																				
FAN BOX																				
PIMU-1																				
TOPUAA-A																				
(PIMU-0) (PIMU-4)																				
(LPRJ-A) (TSWRA-A)																				
(BASE) (BASE)																				
TOPUAA-A																				
PIMU-3																				
PIMU-2																				
FAN BOX																				
PIMU-1																				
TOPUAA-A																				
(PIMU-0) (PIMU-4)																				
(LPRJ-A) (TSWRA-A)																				
(BASE) (BASE)																				
Cable Description	Stock #	Quantity of Intra-Frame Cables																		
<i>Cables for Single System...</i>																				
SR1211 IF CAU-A *	201720	1 *	1 *																	
SR1211 IF CAU-B	201721	1	2																	
SR1211 IF CAU-C	201722	1	1																	
SR1211 IF CAU-D	201723	1	1																	
SR1211 IF CAU-H ♦	201728	1 ♦	1 ♦																	
34PH MT24 TSW CA-E	201760		1																	
34PH EXCLK CA-A	201691	1	1																	
<i>Additional Cables for Dual System...</i>																				
SR1211 IF CAU-DA	201724	1	1																	
SR1211 IF CAU-E	201725	3	4																	
34PH MT24 TSW CA-E	201760		1																	
34PH EXCLK CA-A	201691	1	1																	

Note: * Indicates this Cable Unit is **included** in the BSCIPX SYSTEM PKG-A

♦ Indicates this Cable Unit is **included** in the IMGIPX SWITCH PKG-A

Intra-Frame and Inter-Frame Cables for 7 and 8 PIM System

System Configuration	<table border="1"> <tr><td>TOPUAA-A</td><td></td></tr> <tr><td>PIMU-3</td><td>TOPUAA-A</td></tr> <tr><td>PIMU-2</td><td>PIMU-6</td></tr> <tr><td>FAN BOX</td><td>FAN BOX</td></tr> <tr><td>PIMU-1</td><td>PIMU-5</td></tr> <tr><td>(PIMU-0)</td><td>(PIMU-4)</td></tr> <tr><td>(LPRJ-A)</td><td>(TSWRA-A)</td></tr> <tr><td>(BASE)</td><td>(BASE)</td></tr> </table> <p>2,688 Ports</p>	TOPUAA-A		PIMU-3	TOPUAA-A	PIMU-2	PIMU-6	FAN BOX	FAN BOX	PIMU-1	PIMU-5	(PIMU-0)	(PIMU-4)	(LPRJ-A)	(TSWRA-A)	(BASE)	(BASE)	<table border="1"> <tr><td>TOPUAA-A</td><td>TOPUAA-A</td></tr> <tr><td>PIMU-3</td><td>PIMU-7</td></tr> <tr><td>PIMU-2</td><td>PIMU-6</td></tr> <tr><td>FAN BOX</td><td>FAN BOX</td></tr> <tr><td>PIMU-1</td><td>PIMU-5</td></tr> <tr><td>(PIMU-0)</td><td>(PIMU-4)</td></tr> <tr><td>(LPRJ-A)</td><td>(TSWRA-A)</td></tr> <tr><td>(BASE)</td><td>(BASE)</td></tr> </table> <p>3,072 Ports</p>	TOPUAA-A	TOPUAA-A	PIMU-3	PIMU-7	PIMU-2	PIMU-6	FAN BOX	FAN BOX	PIMU-1	PIMU-5	(PIMU-0)	(PIMU-4)	(LPRJ-A)	(TSWRA-A)	(BASE)	(BASE)
	TOPUAA-A																																	
PIMU-3	TOPUAA-A																																	
PIMU-2	PIMU-6																																	
FAN BOX	FAN BOX																																	
PIMU-1	PIMU-5																																	
(PIMU-0)	(PIMU-4)																																	
(LPRJ-A)	(TSWRA-A)																																	
(BASE)	(BASE)																																	
TOPUAA-A	TOPUAA-A																																	
PIMU-3	PIMU-7																																	
PIMU-2	PIMU-6																																	
FAN BOX	FAN BOX																																	
PIMU-1	PIMU-5																																	
(PIMU-0)	(PIMU-4)																																	
(LPRJ-A)	(TSWRA-A)																																	
(BASE)	(BASE)																																	
Cable Description	Stock #	Quantity of Intra-Frame Cables																																
<i>Cables for Single System...</i>																																		
SR1211 IF CAU-A *	201720	1 *	1 *																															
SR1211 IF CAU-B	201721	2	2																															
SR1211 IF CAU-C	201722	2	2																															
SR1211 IF CAU-D	201723	1	2																															
SR1211 IF CAU-H ♦	201728	1 ♦	1 ♦																															
34PH MT24 TSW CA-E	201760	1	1																															
34PH MT24 TSW CA-F	201761	1	1																															
34PH MT24 TSW CA-G	201762	1	1																															
34PH EXCLK CA-A	201691	1	1																															
<i>Additional Cables for Dual System...</i>																																		
SR1211 IF CAU-DA	201724	1	1																															
SR1211 IF CAU-E	201725	5	6																															
34PH MT24 TSW CA-E	201760	1	1																															
34PH MT24 TSW CA-F	201761	1	1																															
34PH MT24 TSW CA-G	201762	1	1																															
34PH EXCLK CA-A	201691	1	1																															

Note: * Indicates this Cable Unit is **included** in the BSCIPX SYSTEM PKG-A

♦ Indicates this Cable Unit is **included** in the IMGIPX SWITCH PKG-A

Intra-Frame and Inter-Frame Cables for 9 and 10 PIM System

System Configuration	<table border="1" style="width: 100%; border-collapse: collapse;"> <tr><td>TOPUAA-A</td><td>TOPUAA-A</td><td></td></tr> <tr><td>PIMU-3</td><td>PIMU-7</td><td></td></tr> <tr><td>PIMU-2</td><td>PIMU-6</td><td></td></tr> <tr><td>FAN BOX</td><td>FAN BOX</td><td></td></tr> <tr><td>PIMU-1</td><td>PIMU-5</td><td>TOPUAA-A</td></tr> <tr><td>(PIMU-0)</td><td>(PIMU-4)</td><td>(PIMU-8)</td></tr> <tr><td>(LPRJ-A)</td><td>(TSWRA-A)</td><td>(BLANK)</td></tr> <tr><td>(BASE)</td><td>(BASE)</td><td>(BASE)</td></tr> </table> <p style="text-align: center;">3,456 Ports</p>			TOPUAA-A	TOPUAA-A		PIMU-3	PIMU-7		PIMU-2	PIMU-6		FAN BOX	FAN BOX		PIMU-1	PIMU-5	TOPUAA-A	(PIMU-0)	(PIMU-4)	(PIMU-8)	(LPRJ-A)	(TSWRA-A)	(BLANK)	(BASE)	(BASE)	(BASE)	<table border="1" style="width: 100%; border-collapse: collapse;"> <tr><td>TOPUAA-A</td><td>TOPUAA-A</td><td></td></tr> <tr><td>PIMU-3</td><td>PIMU-7</td><td></td></tr> <tr><td>PIMU-2</td><td>PIMU-6</td><td></td></tr> <tr><td>FAN BOX</td><td>FAN BOX</td><td>TOPUAA-A</td></tr> <tr><td>PIMU-1</td><td>PIMU-5</td><td>PIMU-9</td></tr> <tr><td>(PIMU-0)</td><td>(PIMU-4)</td><td>(PIMU-8)</td></tr> <tr><td>(LPRJ-A)</td><td>(TSWRA-A)</td><td>(BLANK)</td></tr> <tr><td>(BASE)</td><td>(BASE)</td><td>(BASE)</td></tr> </table> <p style="text-align: center;">3,840 Ports</p>			TOPUAA-A	TOPUAA-A		PIMU-3	PIMU-7		PIMU-2	PIMU-6		FAN BOX	FAN BOX	TOPUAA-A	PIMU-1	PIMU-5	PIMU-9	(PIMU-0)	(PIMU-4)	(PIMU-8)	(LPRJ-A)	(TSWRA-A)	(BLANK)	(BASE)	(BASE)	(BASE)
	TOPUAA-A	TOPUAA-A																																																				
	PIMU-3	PIMU-7																																																				
	PIMU-2	PIMU-6																																																				
	FAN BOX	FAN BOX																																																				
	PIMU-1	PIMU-5	TOPUAA-A																																																			
	(PIMU-0)	(PIMU-4)	(PIMU-8)																																																			
	(LPRJ-A)	(TSWRA-A)	(BLANK)																																																			
	(BASE)	(BASE)	(BASE)																																																			
	TOPUAA-A	TOPUAA-A																																																				
PIMU-3	PIMU-7																																																					
PIMU-2	PIMU-6																																																					
FAN BOX	FAN BOX	TOPUAA-A																																																				
PIMU-1	PIMU-5	PIMU-9																																																				
(PIMU-0)	(PIMU-4)	(PIMU-8)																																																				
(LPRJ-A)	(TSWRA-A)	(BLANK)																																																				
(BASE)	(BASE)	(BASE)																																																				
Cable Description		Stock #	Quantity of Intra-Frame Cables																																																			
<i>Cables for Single System...</i>																																																						
SR1211 IF CAU-A *	201720	1 *	1 *																																																			
SR1211 IF CAU-B	201721	2	3																																																			
SR1211 IF CAU-C	201722	2	2																																																			
SR1211 IF CAU-D	201723	2	2																																																			
SR1211 IF CAU-H ♦	201728	1 ♦	1 ♦																																																			
SR1211 IF CAU-I	201729	1	1																																																			
34PH MT24 TSW CA-E	201760	1	1																																																			
34PH MT24 TSW CA-F	201761	1	1																																																			
34PH MT24 TSW CA-G	201762	1	2																																																			
34PH EXCLK CA-A	201691	1	1																																																			
<i>Additional Cables for Dual System...</i>																																																						
SR1211 IF CAU-DA	201724	1	1																																																			
SR1211 IF CAU-E	201725	6	7																																																			
34PH MT24 TSW CA-E	201760	1	1																																																			
34PH MT24 TSW CA-F	201761	1	1																																																			
34PH MT24 TSW CA-G	201762	1	2																																																			
34PH EXCLK CA-A	201691	1	1																																																			

Note: * Indicates this Cable Unit is **included** in the BSCIPX SYSTEM PKG-A

♦ Indicates this Cable Unit is **included** in the IMGIPX SWITCH -A

Intra-Frame and Inter-Frame Cables for 11 and 12 PIM System

System Configuration	<table border="1"> <tr><td>TOPUAA-A</td><td>TOPUAA-A</td><td></td></tr> <tr><td>PIMU-3</td><td>PIMU-7</td><td></td></tr> <tr><td></td><td></td><td>TOPUAA-A</td></tr> <tr><td>PIMU-2</td><td>PIMU-6</td><td>PIMU-10</td></tr> <tr><td>FAN BOX</td><td>FAN BOX</td><td>FAN BOX</td></tr> <tr><td>PIMU-1</td><td>PIMU-5</td><td>PIMU-9</td></tr> <tr><td>(PIMU-0)</td><td>(PIMU-4)</td><td>(PIMU-8)</td></tr> <tr><td>(LPRJ-A)</td><td>(TSWRA-A)</td><td>(BLANK)</td></tr> <tr><td>(BASE)</td><td>(BASE)</td><td>(BASE)</td></tr> </table> <p style="text-align: center;">4,224 Ports</p>			TOPUAA-A	TOPUAA-A		PIMU-3	PIMU-7				TOPUAA-A	PIMU-2	PIMU-6	PIMU-10	FAN BOX	FAN BOX	FAN BOX	PIMU-1	PIMU-5	PIMU-9	(PIMU-0)	(PIMU-4)	(PIMU-8)	(LPRJ-A)	(TSWRA-A)	(BLANK)	(BASE)	(BASE)	(BASE)	<table border="1"> <tr><td>TOPUAA-A</td><td>TOPUAA-A</td><td>TOPUAA-A</td></tr> <tr><td>PIMU-3</td><td>PIMU-7</td><td>PIMU-11</td></tr> <tr><td>PIMU-2</td><td>PIMU-6</td><td>PIMU-10</td></tr> <tr><td>FAN BOX</td><td>FAN BOX</td><td>FAN BOX</td></tr> <tr><td>PIMU-1</td><td>PIMU-5</td><td>PIMU-9</td></tr> <tr><td>(PIMU-0)</td><td>(PIMU-4)</td><td>(PIMU-8)</td></tr> <tr><td>(LPRJ-A)</td><td>(TSWRA-A)</td><td>(BLANK)</td></tr> <tr><td>(BASE)</td><td>(BASE)</td><td>(BASE)</td></tr> </table> <p style="text-align: center;">4,608 Ports</p>			TOPUAA-A	TOPUAA-A	TOPUAA-A	PIMU-3	PIMU-7	PIMU-11	PIMU-2	PIMU-6	PIMU-10	FAN BOX	FAN BOX	FAN BOX	PIMU-1	PIMU-5	PIMU-9	(PIMU-0)	(PIMU-4)	(PIMU-8)	(LPRJ-A)	(TSWRA-A)	(BLANK)	(BASE)	(BASE)	(BASE)
	TOPUAA-A	TOPUAA-A																																																							
	PIMU-3	PIMU-7																																																							
			TOPUAA-A																																																						
	PIMU-2	PIMU-6	PIMU-10																																																						
	FAN BOX	FAN BOX	FAN BOX																																																						
	PIMU-1	PIMU-5	PIMU-9																																																						
	(PIMU-0)	(PIMU-4)	(PIMU-8)																																																						
	(LPRJ-A)	(TSWRA-A)	(BLANK)																																																						
	(BASE)	(BASE)	(BASE)																																																						
TOPUAA-A	TOPUAA-A	TOPUAA-A																																																							
PIMU-3	PIMU-7	PIMU-11																																																							
PIMU-2	PIMU-6	PIMU-10																																																							
FAN BOX	FAN BOX	FAN BOX																																																							
PIMU-1	PIMU-5	PIMU-9																																																							
(PIMU-0)	(PIMU-4)	(PIMU-8)																																																							
(LPRJ-A)	(TSWRA-A)	(BLANK)																																																							
(BASE)	(BASE)	(BASE)																																																							
Cable Description		Stock #	Quantity of Intra-Frame Cables																																																						
<i>Cables for Single System...</i>																																																									
SR1211 IF CAU-A *	201720	1 *		1 *																																																					
SR1211 IF CAU-B	201721	3		3																																																					
SR1211 IF CAU-C	201722	3		3																																																					
SR1211 IF CAU-D	201723	2		3																																																					
SR1211 IF CAU-H ♦	201728	1 ♦		1 ♦																																																					
SR1211 IF CAU-I	201729	1		1																																																					
34PH MT24 TSW CA-E	201760	1		1																																																					
34PH MT24 TSW CA-F	201761	1		1																																																					
34PH MT24 TSW CA-G	201762	2		2																																																					
34PH MT24 TSW CA-H	201763	1		2																																																					
34PH EXCLK CA-A	201691	1		1																																																					
<i>Additional Cables for Dual System...</i>																																																									
SR1211 IF CAU-DA	201724	1		1																																																					
SR1211 IF CAU-E	201725	8		9																																																					
34PH MT24 TSW CA-E	201760	1		1																																																					
34PH MT24 TSW CA-F	201761	1		1																																																					
34PH MT24 TSW CA-G	201762	2		2																																																					
34PH MT24 TSW CA-H	201763	1		2																																																					
34PH EXCLK CA-A	201691	1		1																																																					

Note: * Indicates this Cable Unit is **included** in the BSCIPX SYSTEM PKG-A

♦ Indicates this Cable Unit is **included** in the IMGIPX SWITCH PKG-A

Intra-Frame and Inter-Frame Cables for 13 PIM System

System Configuration	<table border="1" style="width: 100%; border-collapse: collapse;"> <tr> <td style="text-align: center;">TOPUAA-A</td> <td style="text-align: center;">TOPUAA-A</td> <td style="text-align: center;">TOPUAA-A</td> <td></td> </tr> <tr> <td style="text-align: center;">PIMU-3</td> <td style="text-align: center;">PIMU-7</td> <td style="text-align: center;">PIMU-11</td> <td></td> </tr> <tr> <td style="text-align: center;">PIMU-2</td> <td style="text-align: center;">PIMU-6</td> <td style="text-align: center;">PIMU-10</td> <td></td> </tr> <tr> <td style="text-align: center;">FAN BOX</td> <td style="text-align: center;">FAN BOX</td> <td style="text-align: center;">FAN BOX</td> <td></td> </tr> <tr> <td style="text-align: center;">PIMU-1</td> <td style="text-align: center;">PIMU-5</td> <td style="text-align: center;">PIMU-9</td> <td style="text-align: center;">TOPUAA-A</td> </tr> <tr> <td style="text-align: center;">(PIMU-0)</td> <td style="text-align: center;">(PIMU-4)</td> <td style="text-align: center;">(PIMU-8)</td> <td style="text-align: center;">(PIMU-12)</td> </tr> <tr> <td style="text-align: center;">(LPRJ-A)</td> <td style="text-align: center;">(TSWRA-A)</td> <td style="text-align: center;">(BLANK)</td> <td style="text-align: center;">(BLANK)</td> </tr> <tr> <td style="text-align: center;">(BASE)</td> <td style="text-align: center;">(BASE)</td> <td style="text-align: center;">(BASE)</td> <td style="text-align: center;">(BASE)</td> </tr> </table>				TOPUAA-A	TOPUAA-A	TOPUAA-A		PIMU-3	PIMU-7	PIMU-11		PIMU-2	PIMU-6	PIMU-10		FAN BOX	FAN BOX	FAN BOX		PIMU-1	PIMU-5	PIMU-9	TOPUAA-A	(PIMU-0)	(PIMU-4)	(PIMU-8)	(PIMU-12)	(LPRJ-A)	(TSWRA-A)	(BLANK)	(BLANK)	(BASE)	(BASE)	(BASE)	(BASE)
	TOPUAA-A	TOPUAA-A	TOPUAA-A																																	
	PIMU-3	PIMU-7	PIMU-11																																	
	PIMU-2	PIMU-6	PIMU-10																																	
	FAN BOX	FAN BOX	FAN BOX																																	
	PIMU-1	PIMU-5	PIMU-9	TOPUAA-A																																
	(PIMU-0)	(PIMU-4)	(PIMU-8)	(PIMU-12)																																
	(LPRJ-A)	(TSWRA-A)	(BLANK)	(BLANK)																																
(BASE)	(BASE)	(BASE)	(BASE)																																	
4,992 Ports																																				
Cable Description	Stock #	Quantity of Intra-Frame Cables																																		
<i>Cables for Single System...</i>																																				
SR1211 IF CAU-A *	201720	1 *																																		
SR1211 IF CAU-B	201721	3																																		
SR1211 IF CAU-C	201722	3																																		
SR1211 IF CAU-D	201723	3																																		
SR1211 IF CAU-H ♦	201728	1 ♦																																		
SR1211 IF CAU-I	201729	1																																		
SR1211 IF CAU-J	201730	1																																		
34PH MT24 TSW CA-E	201760	1																																		
34PH MT24 TSW CA-F	201761	1																																		
34PH MT24 TSW CA-G	201762	2																																		
34PH MT24 TSW CA-H	201763	2																																		
34PH EXCLK CA-A	201691	1																																		
<i>Additional Cables for Dual System...</i>																																				
SR1211 IF CAU-DA	201724	1																																		
SR1211 IF CAU-E	201725	9																																		
34PH MT24 TSW CA-E	201760	1																																		
34PH MT24 TSW CA-F	201761	1																																		
34PH MT24 TSW CA-G	201762	2																																		
34PH MT24 TSW CA-H	201763	2																																		
34PH EXCLK CA-A	201691	1																																		

Note: * Indicates this Cable Unit is **included** in the BSCIPX SYSTEM PKG-A

♦ Indicates this Cable Unit is **included** in the IMGIPX SWITCH PKG-A

Intra-Frame and Inter-Frame Cables for 14 PIM System

System Configuration	<table border="1" style="width: 100%; text-align: center;"> <tr> <td>TOPUAA-A</td> <td>TOPUAA-A</td> <td>TOPUAA-A</td> <td></td> </tr> <tr> <td>PIMU-3</td> <td>PIMU-7</td> <td>PIMU-11</td> <td></td> </tr> <tr> <td>PIMU-2</td> <td>PIMU-6</td> <td>PIMU-10</td> <td></td> </tr> <tr> <td>FAN BOX</td> <td>FAN BOX</td> <td>FAN BOX</td> <td>TOPUAA-A</td> </tr> <tr> <td>PIMU-1</td> <td>PIMU-5</td> <td>PIMU-9</td> <td>PIMU-13</td> </tr> <tr> <td>(PIMU-0)</td> <td>(PIMU-4)</td> <td>(PIMU-8)</td> <td>(PIMU-12)</td> </tr> <tr> <td>(LPRJ-A)</td> <td>(TSWRA-A)</td> <td>(BLANK)</td> <td>(BLANK)</td> </tr> <tr> <td>(BASE)</td> <td>(BASE)</td> <td>(BASE)</td> <td>(BASE)</td> </tr> </table>				TOPUAA-A	TOPUAA-A	TOPUAA-A		PIMU-3	PIMU-7	PIMU-11		PIMU-2	PIMU-6	PIMU-10		FAN BOX	FAN BOX	FAN BOX	TOPUAA-A	PIMU-1	PIMU-5	PIMU-9	PIMU-13	(PIMU-0)	(PIMU-4)	(PIMU-8)	(PIMU-12)	(LPRJ-A)	(TSWRA-A)	(BLANK)	(BLANK)	(BASE)	(BASE)	(BASE)	(BASE)
	TOPUAA-A	TOPUAA-A	TOPUAA-A																																	
	PIMU-3	PIMU-7	PIMU-11																																	
	PIMU-2	PIMU-6	PIMU-10																																	
	FAN BOX	FAN BOX	FAN BOX	TOPUAA-A																																
	PIMU-1	PIMU-5	PIMU-9	PIMU-13																																
	(PIMU-0)	(PIMU-4)	(PIMU-8)	(PIMU-12)																																
	(LPRJ-A)	(TSWRA-A)	(BLANK)	(BLANK)																																
(BASE)	(BASE)	(BASE)	(BASE)																																	
5,376 Ports																																				
Cable Description	Stock #	Quantity of Intra-Frame Cables																																		
<i>Cables for Single System...</i>																																				
SR1211 IF CAU-A *	201720	1 *																																		
SR1211 IF CAU-B	201721	4																																		
SR1211 IF CAU-C	201722	3																																		
SR1211 IF CAU-D	201723	3																																		
SR1211 IF CAU-H ♦	201728	1 ♦																																		
SR1211 IF CAU-I	201729	1																																		
SR1211 IF CAU-J	201730	1																																		
34PH MT24 TSW CA-E	201760	1																																		
34PH MT24 TSW CA-F	201761	1																																		
34PH MT24 TSW CA-G	201762	2																																		
34PH MT24 TSW CA-H	201763	3																																		
34PH EXCLK CA-A	201691	1																																		
<i>Additional Cables for Dual System...</i>																																				
SR1211 IF CAU-DA	201724	1																																		
SR1211 IF CAU-E	201725	10																																		
34PH MT24 TSW CA-E	201760	1																																		
34PH MT24 TSW CA-F	201761	1																																		
34PH MT24 TSW CA-G	201762	2																																		
34PH MT24 TSW CA-H	201763	3																																		
34PH EXCLK CA-A	201691	1																																		

Note: * Indicates this Cable Unit is **included** in the BSCIPX SYSTEM PKG-A

♦ Indicates this Cable Unit is **included** in the IMGIPX SWITCH PKG-A

Intra-Frame and Inter-Frame Cables for 15 PIM System

System Configuration	<table border="1" style="width: 100%; text-align: center;"> <tr> <td>TOPUAA-A</td> <td>TOPUAA-A</td> <td>TOPUAA-A</td> <td></td> </tr> <tr> <td>PIMU-3</td> <td>PIMU-7</td> <td>PIMU-11</td> <td>TOPUAA-A</td> </tr> <tr> <td>PIMU-2</td> <td>PIMU-6</td> <td>PIMU-10</td> <td>PIMU-14</td> </tr> <tr> <td>FAN BOX</td> <td>FAN BOX</td> <td>FAN BOX</td> <td>FAN BOX</td> </tr> <tr> <td>PIMU-1</td> <td>PIMU-5</td> <td>PIMU-9</td> <td>PIMU-13</td> </tr> <tr> <td>(PIMU-0)</td> <td>(PIMU-4)</td> <td>(PIMU-8)</td> <td>(PIMU-12)</td> </tr> <tr> <td>(LPRJ-A)</td> <td>(TSWRA-A)</td> <td>(BLANK)</td> <td>(BLANK)</td> </tr> <tr> <td>(BASE)</td> <td>(BASE)</td> <td>(BASE)</td> <td>(BASE)</td> </tr> </table>				TOPUAA-A	TOPUAA-A	TOPUAA-A		PIMU-3	PIMU-7	PIMU-11	TOPUAA-A	PIMU-2	PIMU-6	PIMU-10	PIMU-14	FAN BOX	FAN BOX	FAN BOX	FAN BOX	PIMU-1	PIMU-5	PIMU-9	PIMU-13	(PIMU-0)	(PIMU-4)	(PIMU-8)	(PIMU-12)	(LPRJ-A)	(TSWRA-A)	(BLANK)	(BLANK)	(BASE)	(BASE)	(BASE)	(BASE)
	TOPUAA-A	TOPUAA-A	TOPUAA-A																																	
	PIMU-3	PIMU-7	PIMU-11	TOPUAA-A																																
	PIMU-2	PIMU-6	PIMU-10	PIMU-14																																
	FAN BOX	FAN BOX	FAN BOX	FAN BOX																																
	PIMU-1	PIMU-5	PIMU-9	PIMU-13																																
	(PIMU-0)	(PIMU-4)	(PIMU-8)	(PIMU-12)																																
	(LPRJ-A)	(TSWRA-A)	(BLANK)	(BLANK)																																
	(BASE)	(BASE)	(BASE)	(BASE)																																
	5,760 Ports																																			
Cable Description		Stock #	Quantity of Intra-Frame Cables																																	
<i>Cables for Single System...</i>																																				
SR1211 IF CAU-A *	201720		1 *																																	
SR1211 IF CAU-B	201721		4																																	
SR1211 IF CAU-C	201722		4																																	
SR1211 IF CAU-D	201723		3																																	
SR1211 IF CAU-H ♦	201728		1 ♦																																	
SR1211 IF CAU-I	201729		1																																	
SR1211 IF CAU-J	201730		1																																	
34PH MT24 TSW CA-E	201760		1																																	
34PH MT24 TSW CA-F	201761		1																																	
34PH MT24 TSW CA-G	201762		2																																	
34PH MT24 TSW CA-H	201763		3																																	
34PH MT24 TSW CA-I	201764		1																																	
34PH EXCLK CA-A	201691		1																																	
<i>Additional Cables for Dual System...</i>																																				
SR1211 IF CAU-DA	201724		1																																	
SR1211 IF CAU-E	201725		11																																	
34PH MT24 TSW CA-E	201760		1																																	
34PH MT24 TSW CA-F	201761		1																																	
34PH MT24 TSW CA-G	201762		2																																	
34PH MT24 TSW CA-H	201763		3																																	
34PH MT24 TSW CA-I	201764		1																																	
34PH EXCLK CA-A	201691		1																																	

Note: * Indicates this Cable Unit is **included** in the BSCIPX SYSTEM PKG-A

♦ Indicates this Cable Unit is **included** in the IMGIPX SWITCH PKG-A

Intra-Frame and Inter-Frame Cables for 16 PIM System

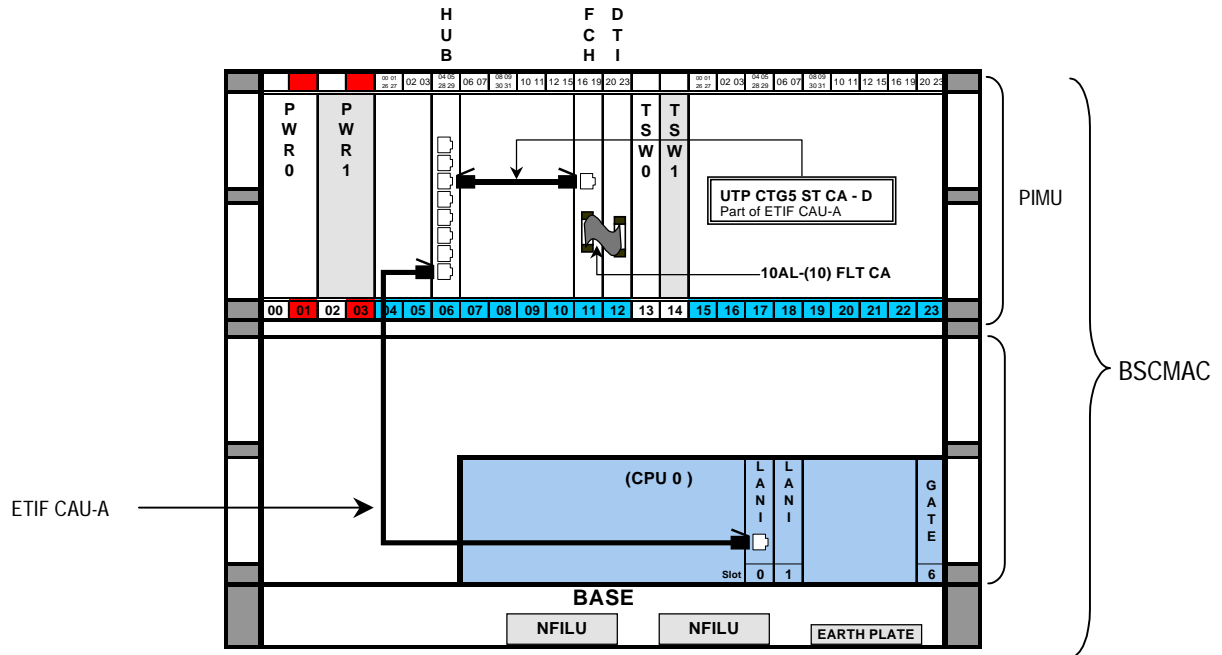
System Configuration	<table border="1" style="width: 100%; text-align: center;"> <tr> <td>TOPUAA-A</td> <td>TOPUAA-A</td> <td>TOPUAA-A</td> <td>TOPUAA-A</td> </tr> <tr> <td>PIMU-3</td> <td>PIMU-7</td> <td>PIMU-11</td> <td>PIMU-15</td> </tr> <tr> <td>PIMU-2</td> <td>PIMU-6</td> <td>PIMU-10</td> <td>PIMU-14</td> </tr> <tr> <td>FAN BOX</td> <td>FAN BOX</td> <td>FAN BOX</td> <td>FAN BOX</td> </tr> <tr> <td>PIMU-1</td> <td>PIMU-5</td> <td>PIMU-9</td> <td>PIMU-13</td> </tr> <tr> <td>(PIMU-0)</td> <td>(PIMU-4)</td> <td>(PIMU-8)</td> <td>(PIMU-12)</td> </tr> <tr> <td>(LPRJ-A)</td> <td>(TSWRA-A)</td> <td>(BLANK)</td> <td>(BLANK)</td> </tr> <tr> <td>(BASE)</td> <td>(BASE)</td> <td>(BASE)</td> <td>(BASE)</td> </tr> </table>				TOPUAA-A	TOPUAA-A	TOPUAA-A	TOPUAA-A	PIMU-3	PIMU-7	PIMU-11	PIMU-15	PIMU-2	PIMU-6	PIMU-10	PIMU-14	FAN BOX	FAN BOX	FAN BOX	FAN BOX	PIMU-1	PIMU-5	PIMU-9	PIMU-13	(PIMU-0)	(PIMU-4)	(PIMU-8)	(PIMU-12)	(LPRJ-A)	(TSWRA-A)	(BLANK)	(BLANK)	(BASE)	(BASE)	(BASE)	(BASE)
	TOPUAA-A	TOPUAA-A	TOPUAA-A	TOPUAA-A																																
	PIMU-3	PIMU-7	PIMU-11	PIMU-15																																
	PIMU-2	PIMU-6	PIMU-10	PIMU-14																																
	FAN BOX	FAN BOX	FAN BOX	FAN BOX																																
	PIMU-1	PIMU-5	PIMU-9	PIMU-13																																
	(PIMU-0)	(PIMU-4)	(PIMU-8)	(PIMU-12)																																
	(LPRJ-A)	(TSWRA-A)	(BLANK)	(BLANK)																																
(BASE)	(BASE)	(BASE)	(BASE)																																	
6,144 Ports																																				
Cable Description	Stock #	Quantity of Intra-Frame Cables																																		
<i>Cables for Single System...</i>																																				
SR1211 IF CAU-A *	201720	1 *																																		
SR1211 IF CAU-B	201721	4																																		
SR1211 IF CAU-C	201722	4																																		
SR1211 IF CAU-D	201723	4																																		
SR1211 IF CAU-H ♦	201728	1 ♦																																		
SR1211 IF CAU-I	201729	1																																		
SR1211 IF CAU-J	201730	1																																		
34PH MT24 TSW CA-E	201760	1																																		
34PH MT24 TSW CA-F	201761	1																																		
34PH MT24 TSW CA-G	201762	2																																		
34PH MT24 TSW CA-H	201763	3																																		
34PH MT24 TSW CA-I	201764	1																																		
34PH MT24 TSW CA-J	201765	1																																		
34PH EXCLK CA-A	201691	1																																		
<i>Additional Cables for Dual System...</i>																																				
SR1211 IF CAU-DA	201724	1																																		
SR1211 IF CAU-E	201725	12																																		
34PH MT24 TSW CA-E	201760	1																																		
34PH MT24 TSW CA-F	201761	1																																		
34PH MT24 TSW CA-G	201762	2																																		
34PH MT24 TSW CA-H	201763	3																																		
34PH MT24 TSW CA-I	201764	1																																		
34PH MT24 TSW CA-J	201765	1																																		
34PH EXCLK CA-A	201691	1																																		

Note: * Indicates this Cable Unit is **included** in the BSCIPX SYSTEM PKG-A

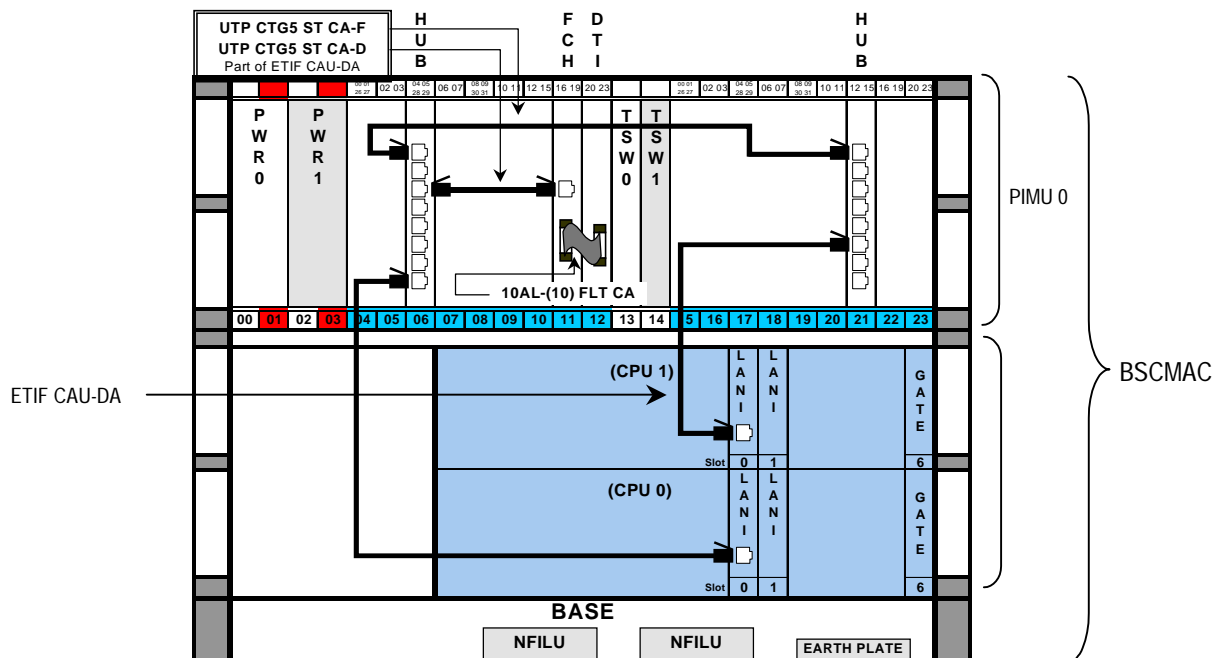
♦ Indicates this Cable Unit is **included** in the IMGIPX SWITCH PKG-A

CPU – HUB – FCCH Cables

Single CPU Configuration



Dual CPU Configuration



CPU – HUB – FCCH Cables (Con't.)

Abbr.	Item	Stock Number	Description
ETIF CAU-A	SR1201 ETIF CAU-A	201460	ETHER Card to HUB Card Cable - for Single CPU
ETIF CAU-DA	SR1201 ETIF CAU-DA	201461	ETHER Card to HUB Card Cable - for Dual CPU
DTI – FCCH CA	10AL-(10) FLT CA	201038	Front Cable to Connect DTI to FCCH Card
UTP CTG5 ST CA-C	UTP CTG5 ST CA-C	201492	Additional HUB to FCCH Straight Cable – 1.6ft. (500mm)
UTP CTG5 ST CA-F	UTP CTG5 ST CA-F	201495	Additional HUB to FCCH Straight Cable – 2.6ft. (800mm)
UTP CTG5 ST CA-K	UTP CTG5 ST CA-K	201489	Additional HUB to FCCH Straight Cable – 5.2ft. (1600mm)
UTP CTG5 ST CA-N	UTP CTG5 ST CA-N	201747	Additional HUB to FCCH Straight Cable – 8.2 ft. (2500mm)
UTP CTG5 ST CA-P	UTP CTG5 ST CA-P	201749	Additional HUB to FCCH Straight Cable – 11.5 ft. (3500mm)
UTP CTG5 ST CA-R	UTP CTG5 ST CA-R	201750	Additional HUB to FCCH Straight Cable – 14.7 ft. (4500mm)
UTP CTG5 ST CA-T	UTP CTG5 ST CA-T	201751	Additional HUB to FCCH Straight Cable – 18.0 ft. (5500mm)
UTP CTG5 ST CA-W	UTP CTG5 ST CA-W	201752	Additional HUB to FCCH Straight Cable – 26.2 ft. (8000mm)
UTP CTG5 ST CA-Y	UTP CTG5 ST CA-Y	201753	Additional HUB to FCCH Straight Cable – 32.8 ft. (10000mm)
UTP CTG5 CRS CA-C	UTP CTG5 CRS CA-C	201770	Additional HUB to FCCH Cross Cable – 1.6ft. (500mm)
UTP CTG5 CRS CA-F	UTP CTG5 CRS CA-F	201771	Additional HUB to FCCH Cross Cable – 2.6ft. (800mm)
UTP CTG5 CRS CA-K	UTP CTG5 CRS CA-K	201772	Additional HUB to FCCH Cross Cable – 5.2ft. (1600mm)
UTP CTG5 CRS CA-N	UTP CTG5 CRS CA-N	201747	Additional HUB to FCCH Cross Cable – 8.2 ft. (2500mm)
UTP CTG5 CRS CA-P	UTP CTG5 CRS CA-P	201749	Additional HUB to FCCH Cross Cable – 11.5 ft. (3500mm)
UTP CTG5 CRS CA-R	UTP CTG5 CRS CA-R	201750	Additional HUB to FCCH Cross Cable – 14.7 ft. (4500mm)
UTP CTG5 CRS CA-T	UTP CTG5 CRS CA-T	201751	Additional HUB to FCCH Cross Cable – 18.0 ft. (5500mm)
UTP CTG5 CRS CA-W	UTP CTG5 CRS CA-W	201752	Additional HUB to FCCH Cross Cable – 26.2 ft. (8000mm)
UTP CTG5 CRS CA-Y	UTP CTG5 CRS CA-Y	201753	Additional HUB to FCCH Cross Cable – 32.8 ft. (10000mm)

Note:

- ◆ UTP CTG5 ST CA-() is a Straight Type cable and it should be used for following cable connections
 - ➔ LANI to HUB* Connection
 - ➔ HUB** to FCH Connection
 - ➔ HUB* to MAT Connection

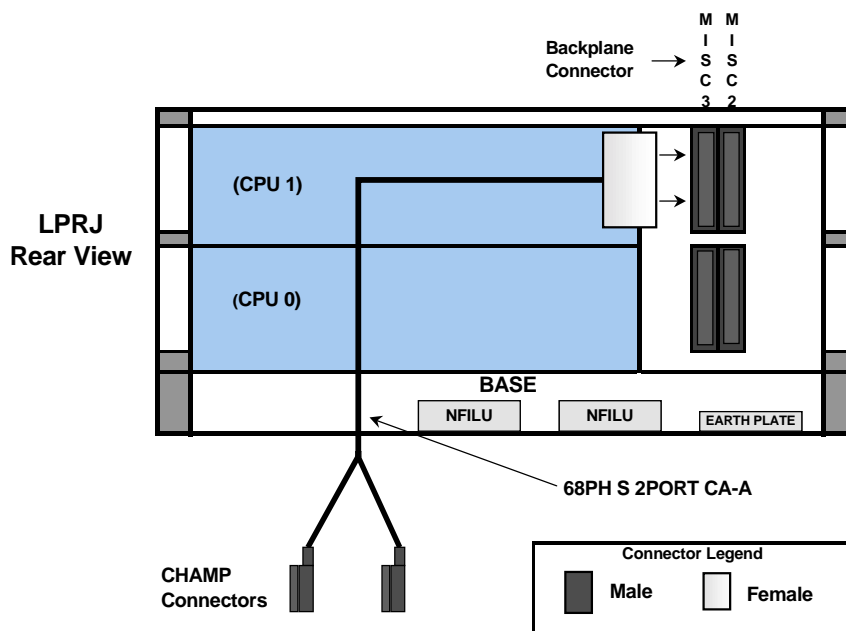
- ◆ UTP CTG5 CRS CA-() is a Cross Type cable and it should be used for following cable connections
 - ➔ LANI to MAT Direct Connection
 - ➔ HUB** to FCH Connection

* Indicates this card is PA-M96 or PA-M103

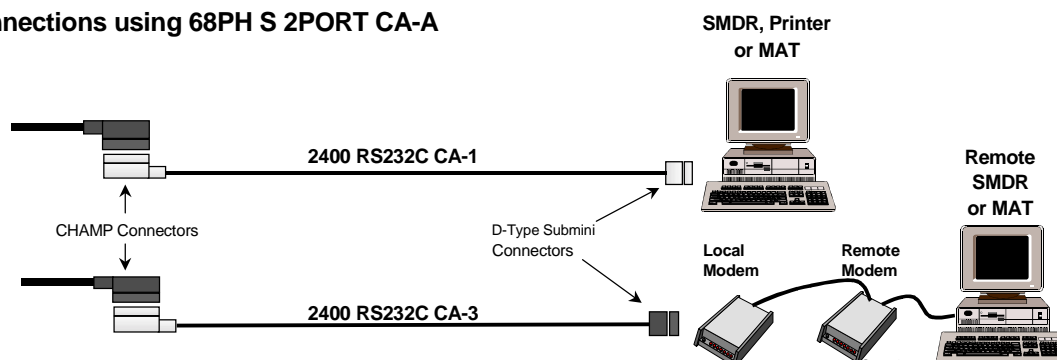
** Indicates this card is PA-M96 only

Cables for Peripheral Equipment

Serial Interface Cables for MAT and SMDR



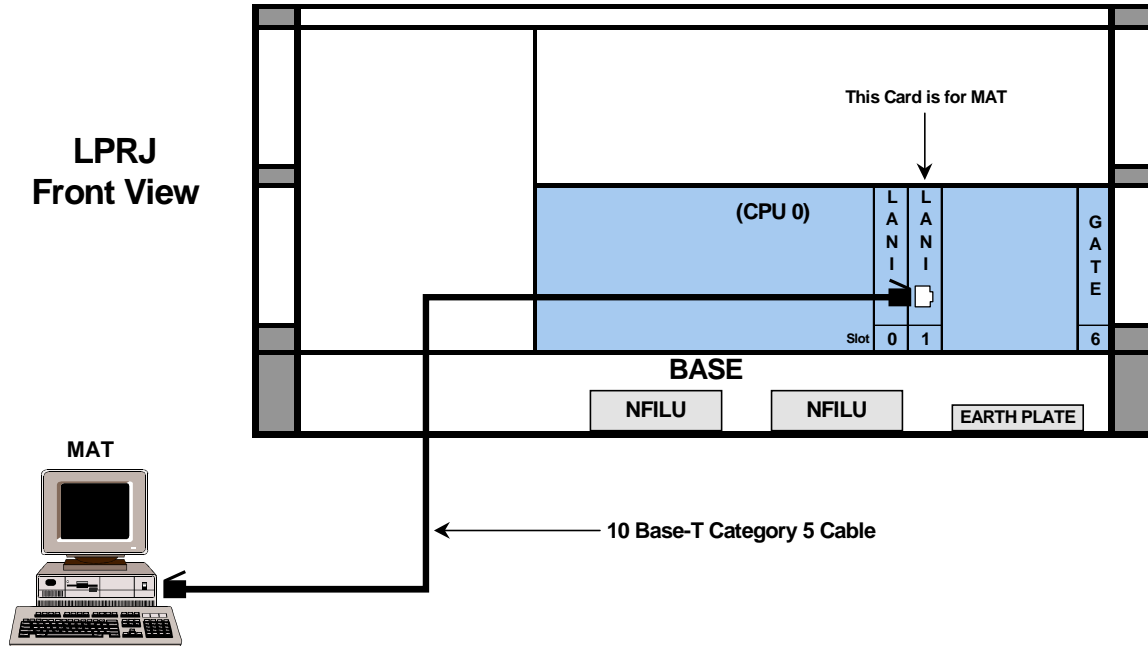
Connections using 68PH S 2PORT CA-A



Item	Stock Number	Description
68PH S 2PORTS CA-A	201697	I/O Cable for MAT, SMDR, etc. – 2 Ports per Cable
2400 RS-232C CA-1	241028	RS-232C Cable with Female Connector for Connection to DTE – 5 ft. (1.5 m)
2400 RS-232C CA-3	241029	RS-232C Cable with Male Connector for Connection to DCE – 5 ft. (1.5 m)

LAN Interface Cables for MAT

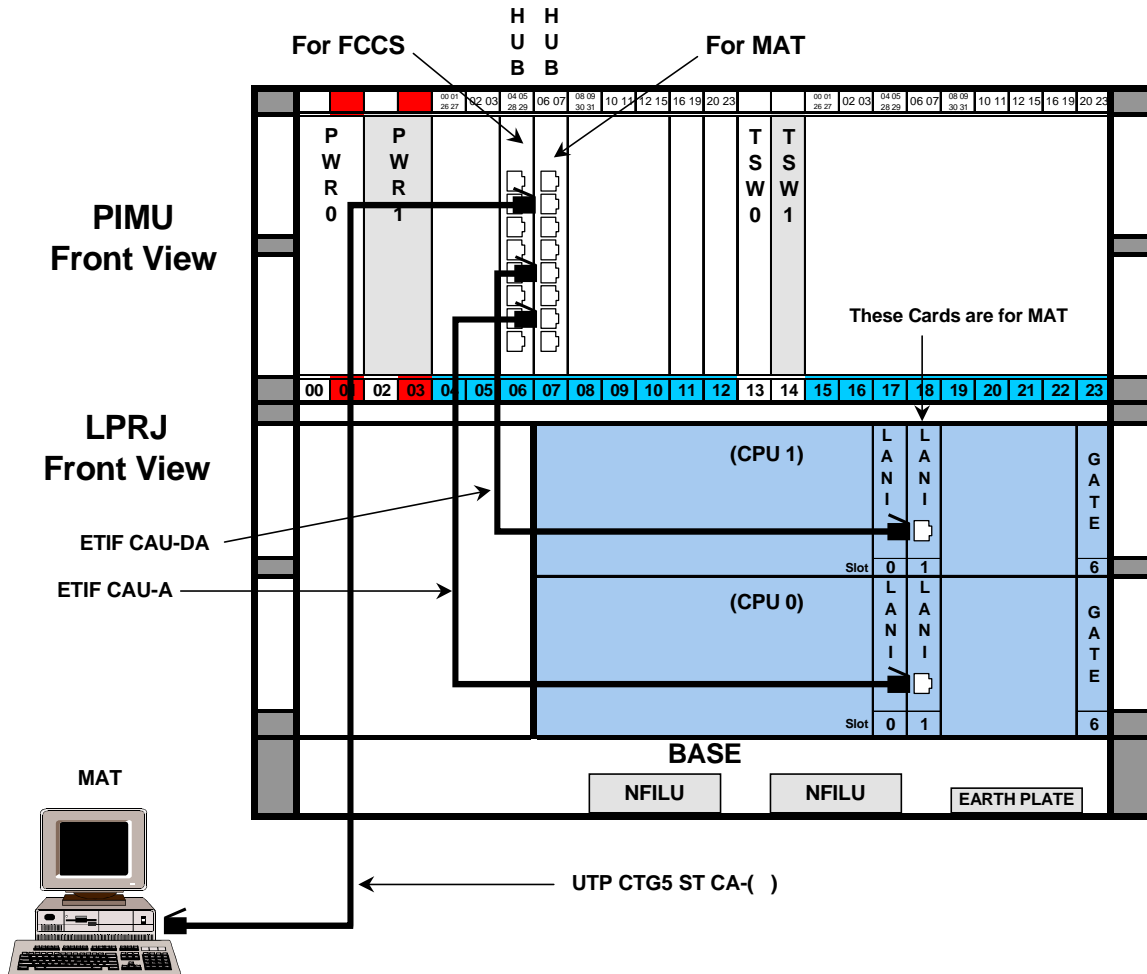
Single CPU Configuration



Item	Stock Number	Description
Category 5 Cable	2014xx	10 Base-T Category 5 Cable

LAN Interface Cables for MAT (Cont.)

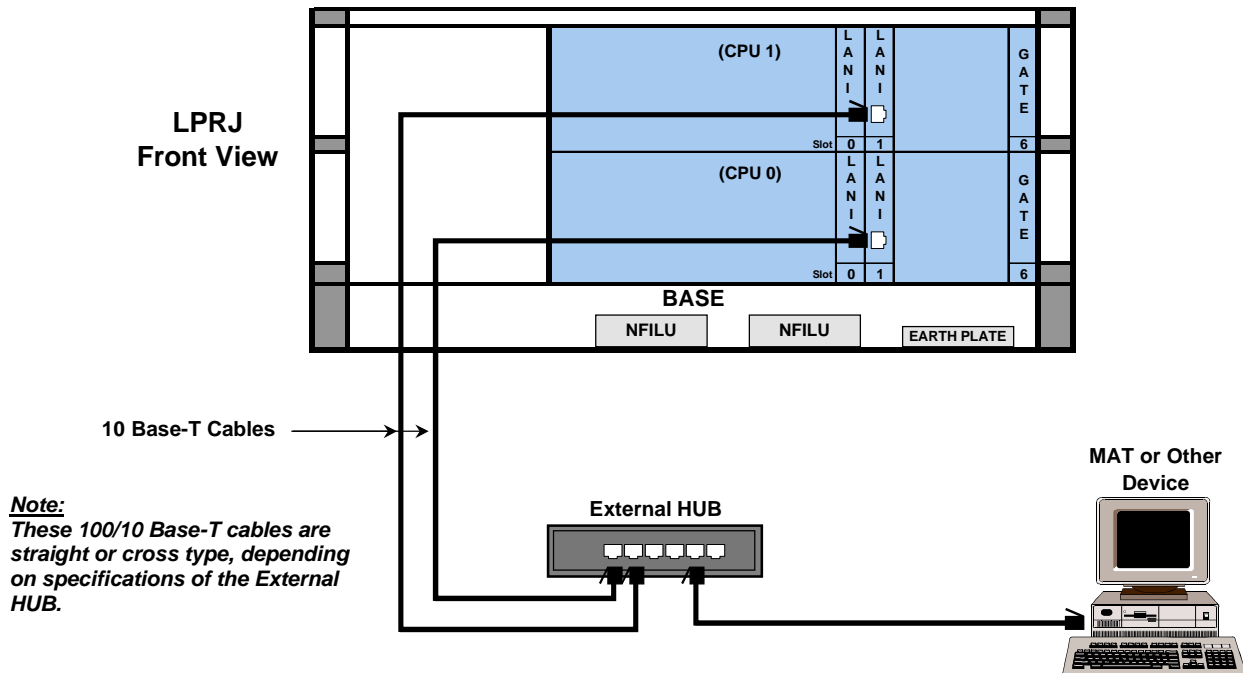
Dual CPU Configuration



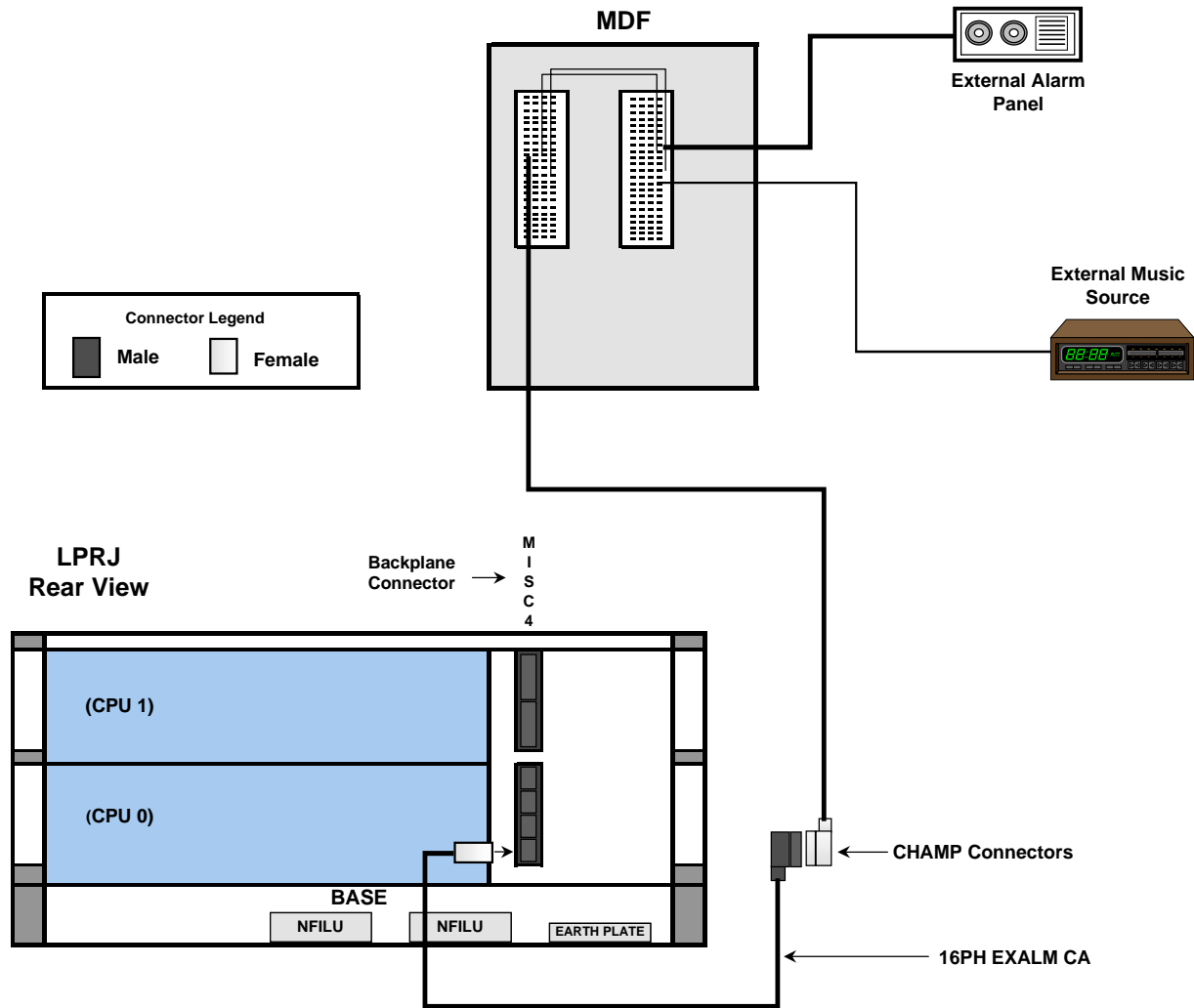
Abbr.	Item	Stock Number	Description
ETIF CAU-A	SR1201 ETIF CAU-A	201460	ETHER Card to HUB Card Cable - for Single CPU
ETIF CAU-DA	SR1201 ETIF CAU-DA	201461	ETHER Card to HUB Card Cable - for Dual CPU
UTP CTG5 ST CA-()	UTP CTG5 ST CA-	2014xx	HUB Card to MAT Terminal - 10 Base T Cable

LAN Interface Cables for MAT, SMDR or Other Device

External LAN Connections

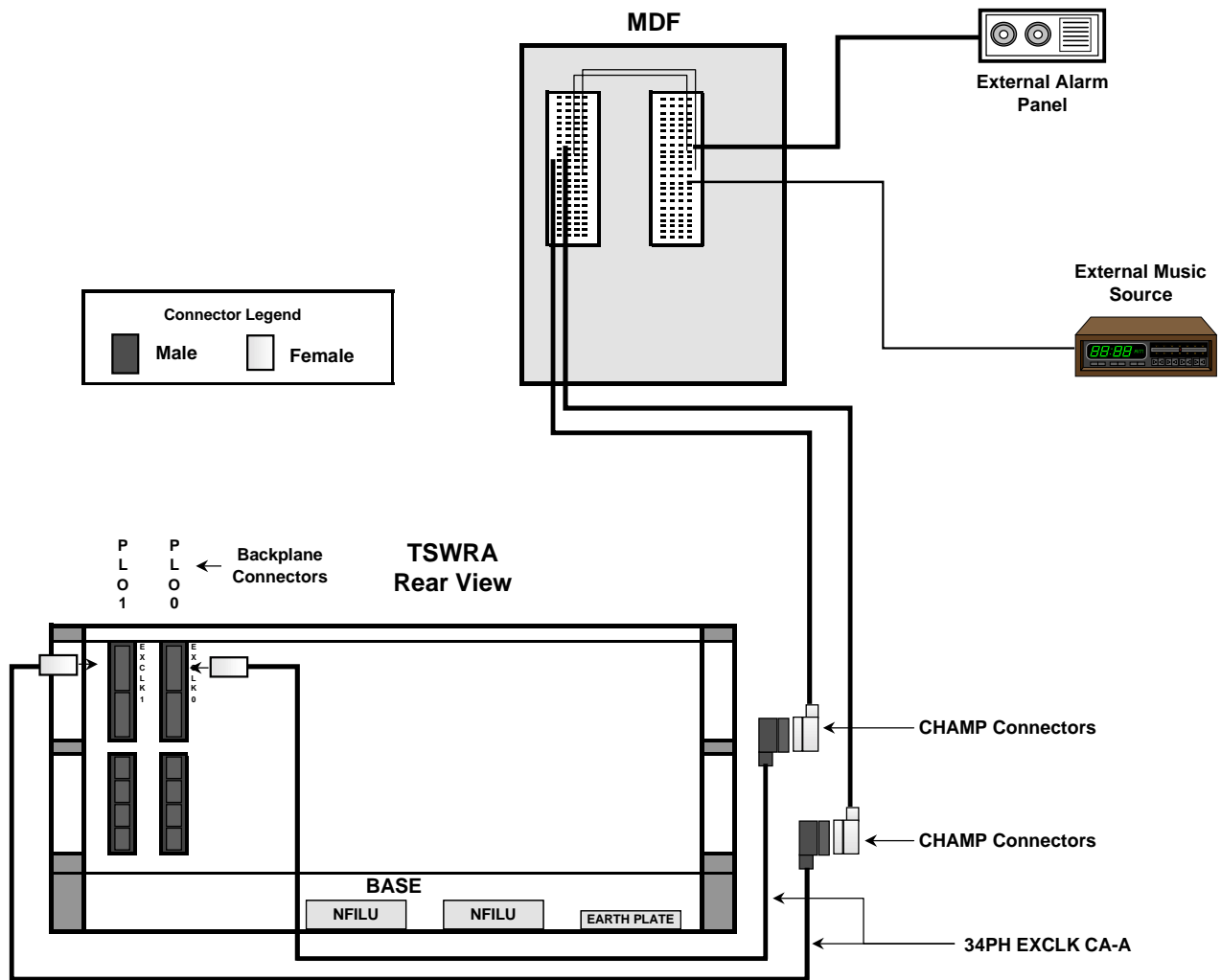


Single IMG System
Interface to External Alarm Equipment and/or External Music Source
 (for Music-on-Hold)



Item	Stock Number	Description
16PH EXALM CA	201680	External Alarm Cable – 5 ft. (1.5 m)

Multi-IMG System Interface to External Alarm Equipment and/or External Music Source (for Music-on-Hold)



Item	Stock Number	Description
34PH EXCLK CA-A	201691	External Clock Cable – 5 ft. (1.5 m)