

P-TEC VOICE PAGING SPEAKERS

V-5330100 (VOICE COIL)

V-5330200 (70 VOLT)

INTRODUCTION

P-TEC Voice Paging Speakers are suitable for voice paging as well as background music. The V-5330200 is a 70 volt model with adjustable taps and volume control. The V-5330100 is a voice coil (45 Ohm) 3.4 volt model with volume control. P-TEC speakers consist of a 3.6 inch cone speaker mounted in a unique surface-mount baffle. The baffle is designed for mounting on acoustic tile, such as those normally found in suspended-ceilings; and can be mounted without cutting large holes in the tile. The mounting pins can be removed for mounting in a hard ceiling. The speaker housing has screw holes for securing speaker without mounting pins. Although the P-TEC speakers are designed especially for standard suspended ceilings, they can be used on many types of ceiling materials.

DIMENSIONS/WEIGHT

- 8"Dia. x 2.5"D (20.32cm x 6.35cm)
- Voice Coil** .75 lbs. (.34 kg)
- 70 Volt** 1.25 lbs. (.56 kg)

INSTALLATION

Selecting the Power-Tap Wire (70V)

Note: For the V-5330100 Speakers (Voice Coil), begin at Suspended Ceiling Installation.

1. Remove the Quick-Connect connector from the accessory pack.
2. Select the desired power-tap wire:
 - Yellow = 1/4W
 - Red = 1/2W
 - Green = 1W
 - White = 2W
 - Blue = 4W

Note: Refer to spacing chart (Figure 6) for recommended speaker spacing.

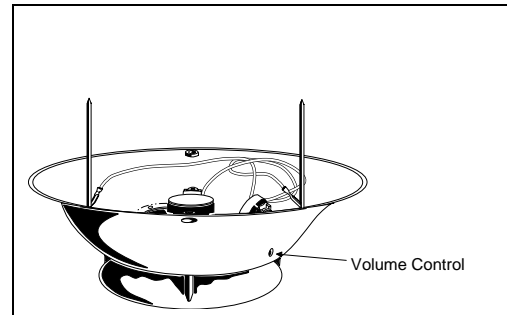


Figure 1. P-TEC Paging Speaker (70V shown)

3. Install the Quick-Connect connector on the wire. Use pliers to close the connector over the wire. The connector can be removed by prying it open with a screwdriver, and can be reused several times (see Figure 2).

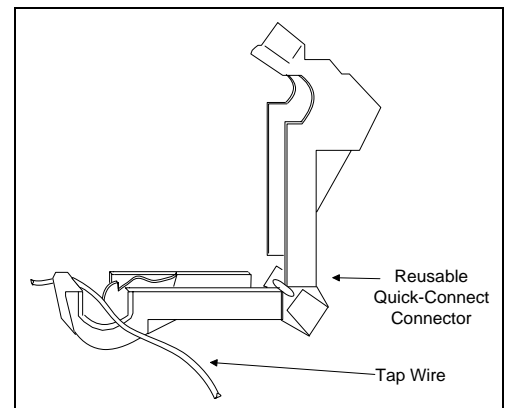


Figure 2. Attaching the Reuseable Quick-Connect Connector (V-5330200 Only)

4. Connect the power-tap wire to the gold (+) terminal (see Figure 3).
5. Arrange the unused power-tap wires neatly inside the speaker housing and tape them to the inside of the housing.

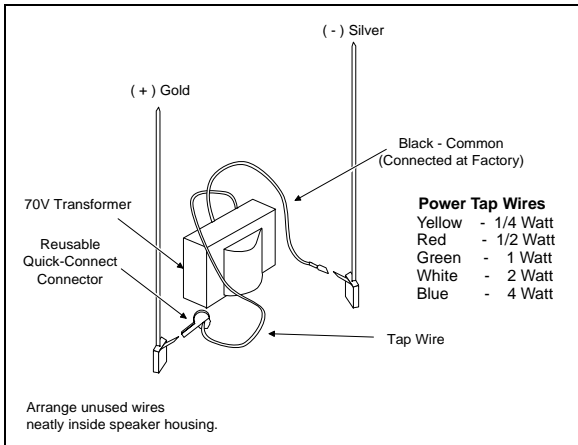


Figure 3. Connecting the Tap Wire (V-5330200 Only)

Suspended Ceiling

Note: Wrap wires around strain relief posts so speaker wires will not pull free.

1. Lift the adjacent ceiling tile and slide it out of the way.
2. Install the speaker by inserting the mounting pins through the ceiling tile, and hold the speaker in place.
3. Place the wire and washers, and speaker mounting clips over mounting pins (so pins slide through clips).

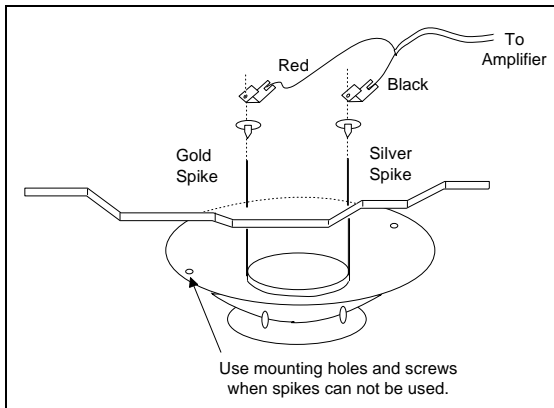


Figure 4. P-TEC Installation

Note: Washers provide isolation from the pins if the back of the tile is covered with metal foil.

4. If necessary, adjust paging volume after installation. The volume control is located on the side of the speaker. Use a small screwdriver to turn the control.
5. Install the volume control cover found in the accessory pack.

Note: When using a PagePac[®] Amplicenter, music volume should be adjusted at the paging amplifier or music source. Adjust paging before adjusting background music.

Maintain Speaker Phasing

When using multiple speakers in a single run, keep speakers in phase by connecting the speaker wires to the same spike on each speaker (either wire can connect on either spike, as long as the pattern is followed on each speaker). The gold spike is the plus (+) terminal (see Figure 5).

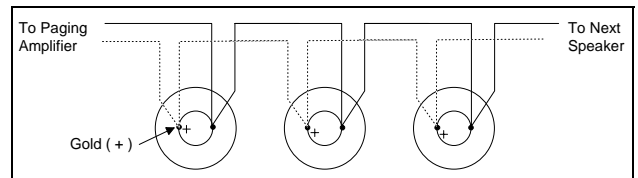


Figure 5. Maintaining Speaker Phasing

Handling Shielded Speaker Cable V-5330200 Only

If you are using shielded speaker cable, splice the shield wire at the speaker location so a continuous shield is maintained. When connecting a single speaker, or the last speaker on the run, clip the shield wire where it emerges from the outer insulation on the speaker cable.

TECHNICAL ASSISTANCE

When calling, have a VOM and a telephone test set available and call from the job site. Call (540) 427-3900 and ask for PagePac Technical Support, or call (540) 427-6000 for Valcom 24-hour Automated Support or visit our websites at <http://www.pagepac.com> and www.valcom.com.

Should repairs be necessary, attach a tag to the unit clearly stating company name, address, phone number, contact person, and the nature of the problem. Send the unit to:

Valcom, Inc.
PagePac® Repair Dept.
5614 Hollins Road
Roanoke, VA 24019-5056

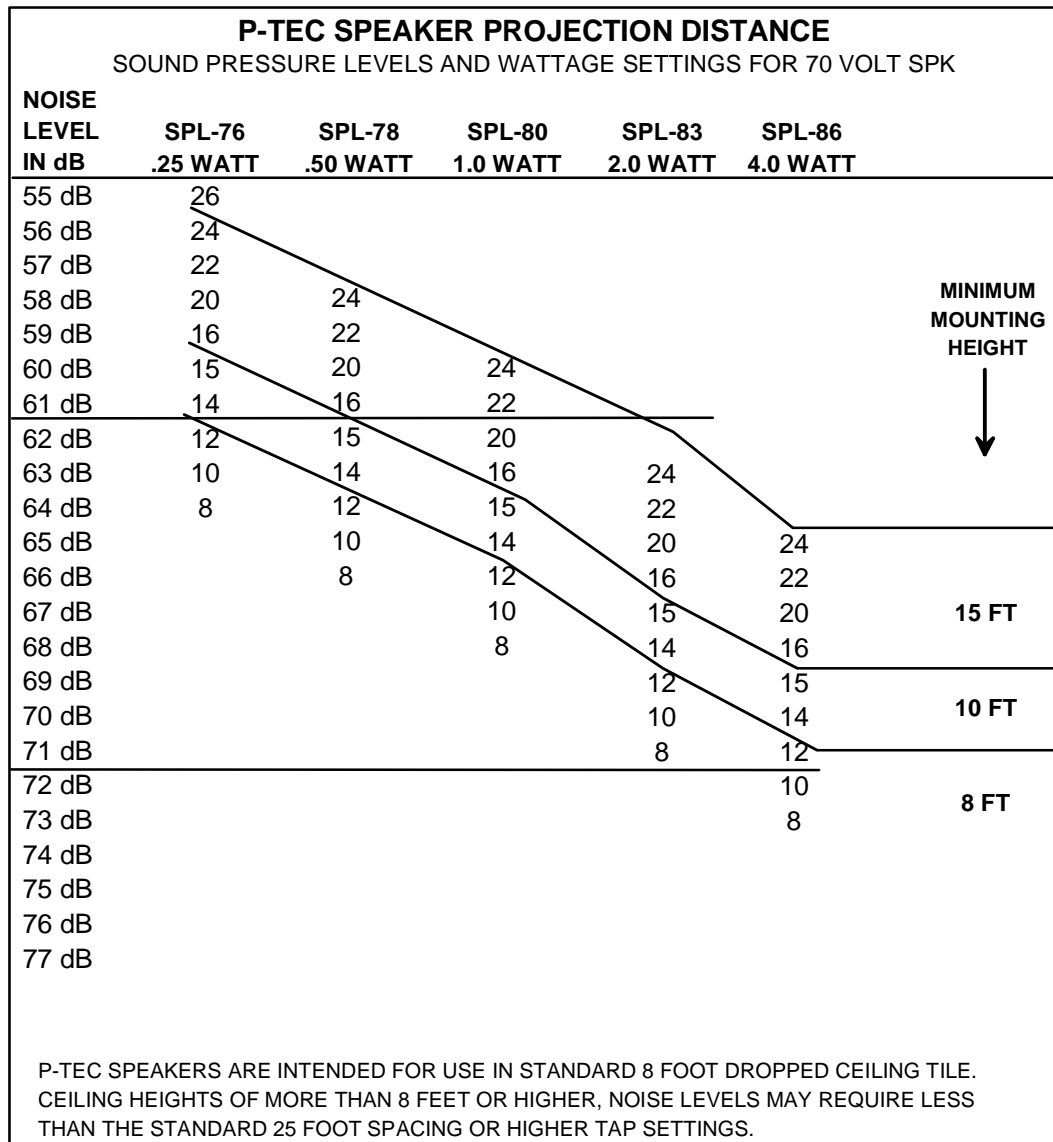


Figure 6