

HARRIS

DRACON DIVISION

Technical Support Group

PAGEPAC CONNECTIONS

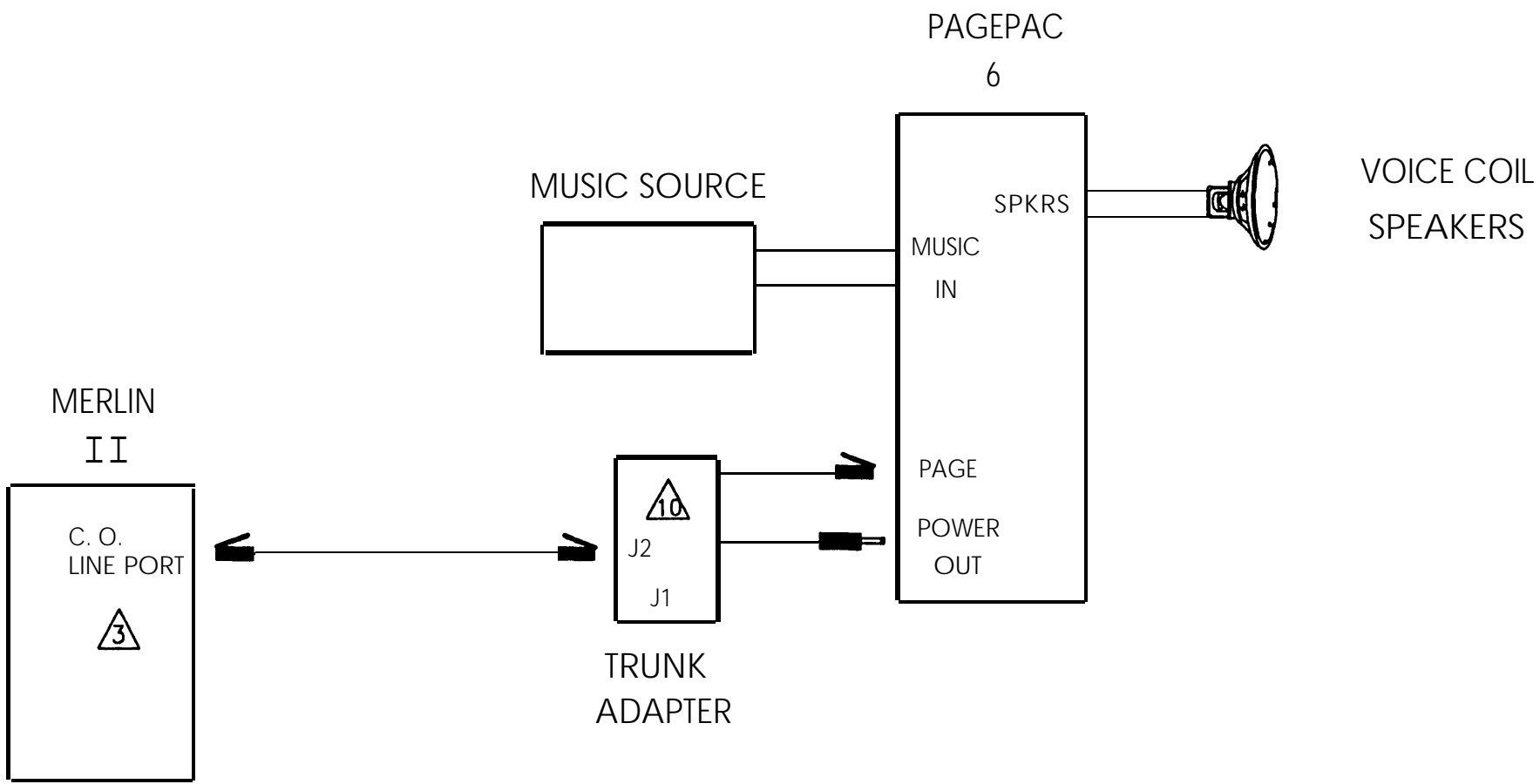
FOR THE

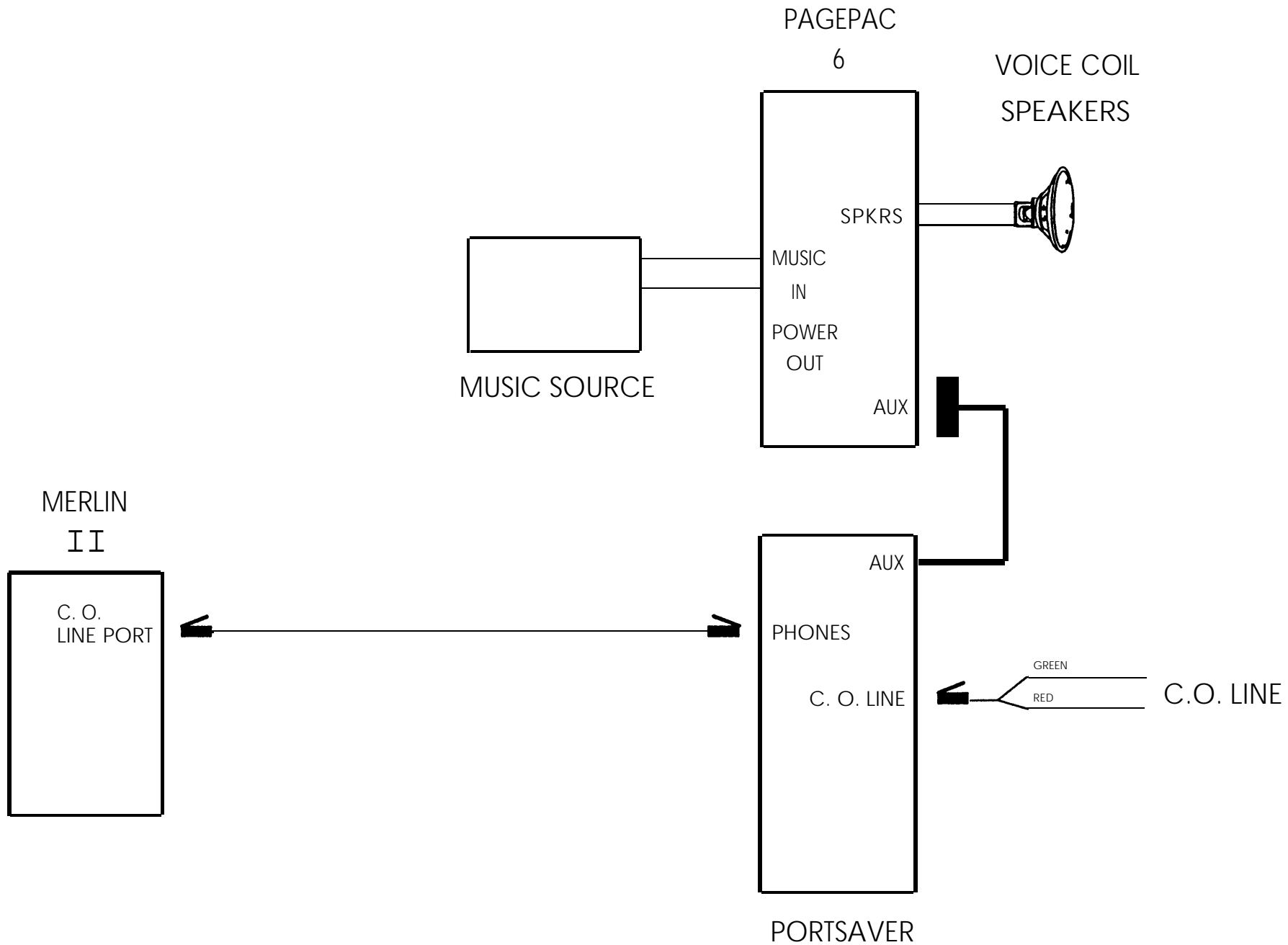
MERLIN II

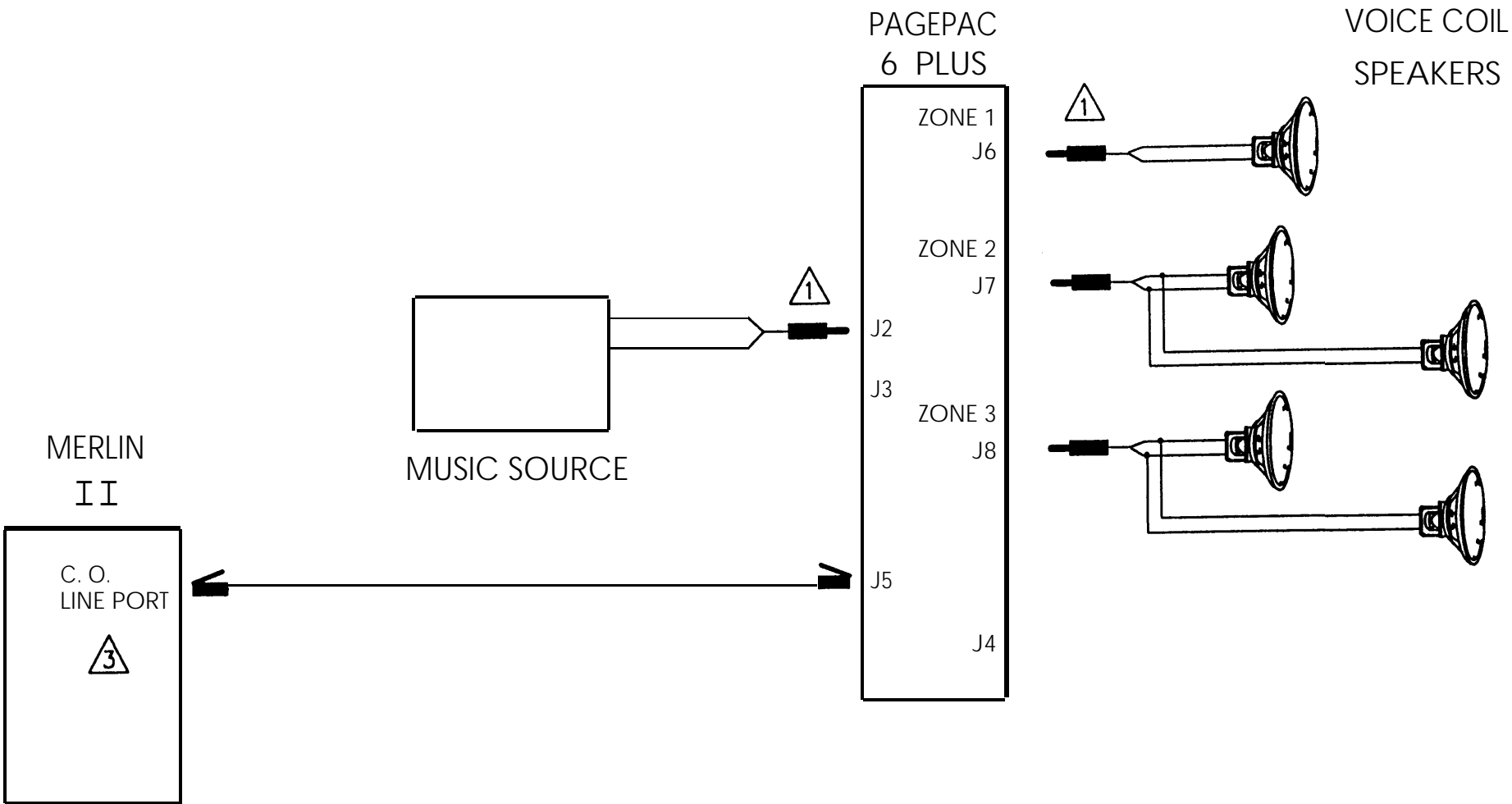
NOVEMBER 1994

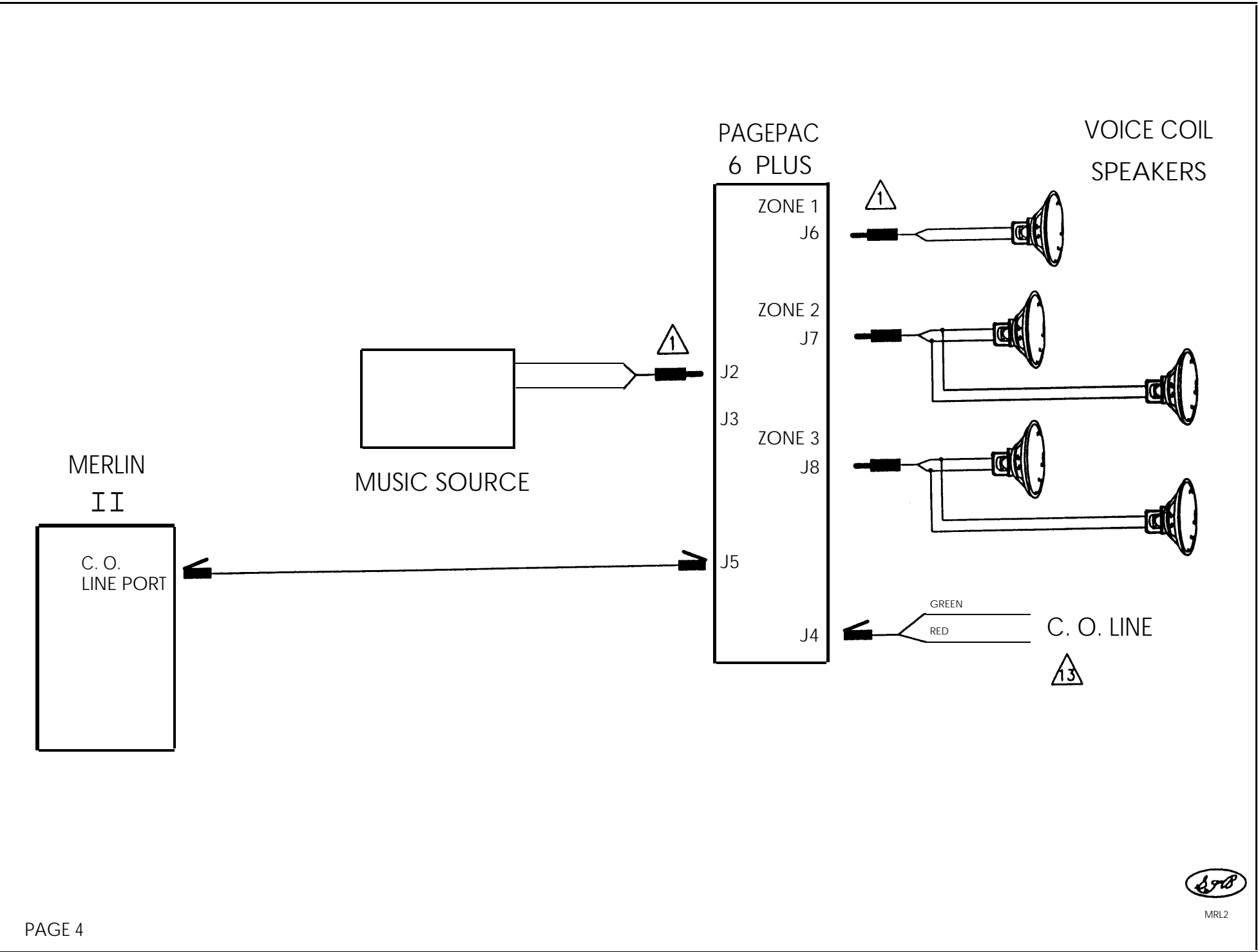
TABLE OF CONTENTS

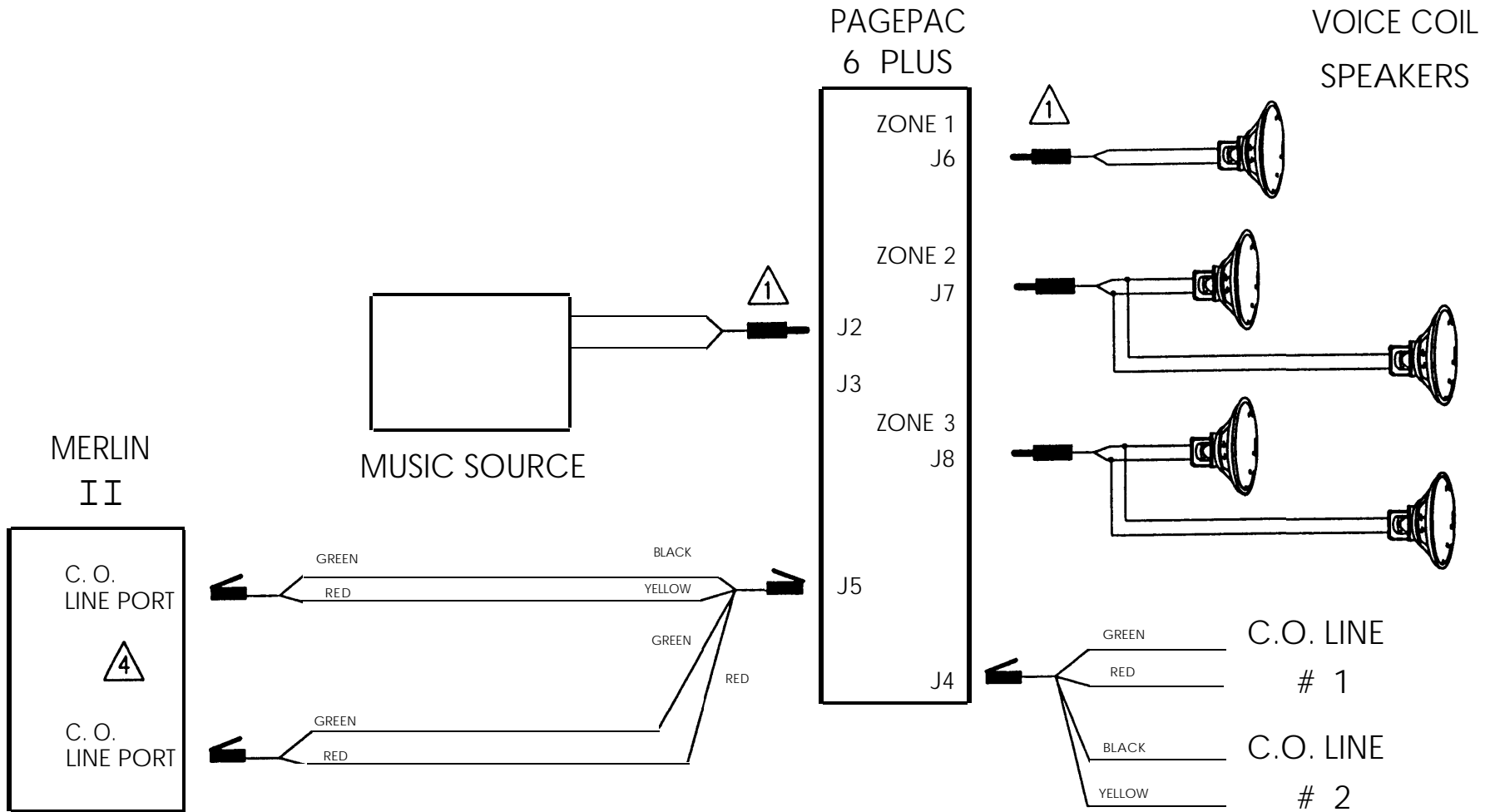
	PAGE
PAGEPAC 6 WITH TRUNK ADAPTER	1
PAGEPAC 6 WITH PORTSAVER (ONE SHARED LINE PORT)	2
PAGEPAC 6 PLUS (ONE DEDICATED LINE PORT)	3
PAGEPAC 6 PLUS (ONE SHARED LINE PORT)	4
PAGEPAC 6 PLUS (TWO SHARED LINE PORTS)	5
PAGEPAC 20 WITH TRUNK ADAPTER	6
PAGEPAC 20 WITH TRUNK ADAPTER AND TALKMATE	7
PAGEPAC 20 AND ZONEMATE	8
PAGEPAC VS	9
PAGEPAC 50, 100, AND 200	10
AMPLICENTER WITH TRUNK ADAPTER	11
PAGEPAC PLUS D-SERIES AMPLICENTER	12
PAGEPAC PLUS D-SERIES AMPLICENTER WITH CONTROLLER	13







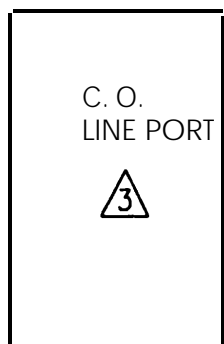




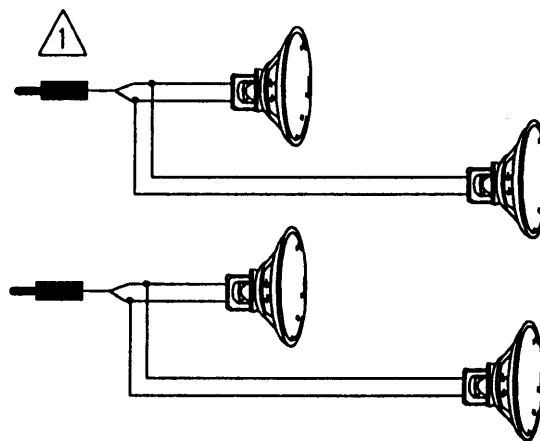
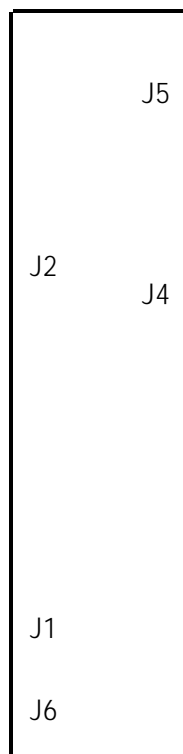
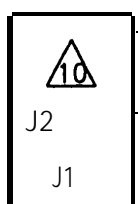
PAGEPAC 20
POWERMATE



MERLIN
II



TRUNK
ADAPTER



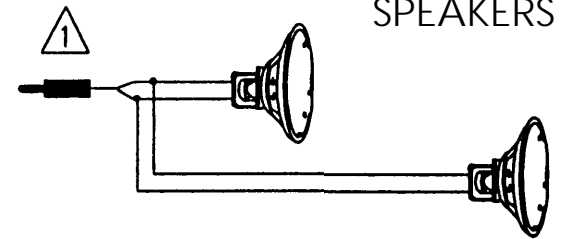
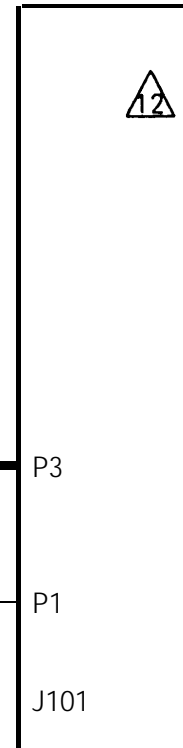
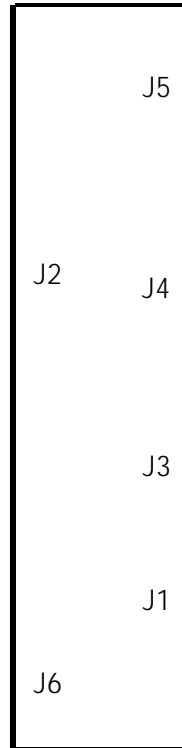
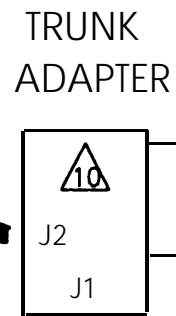
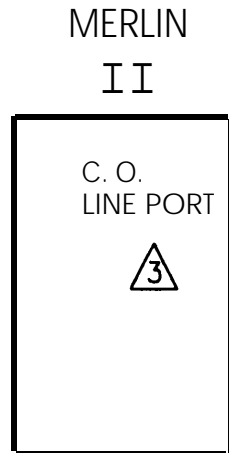
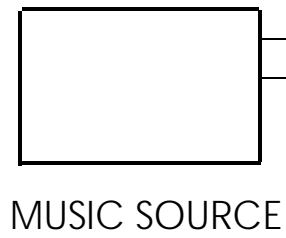
VOICE COIL
SPEAKERS

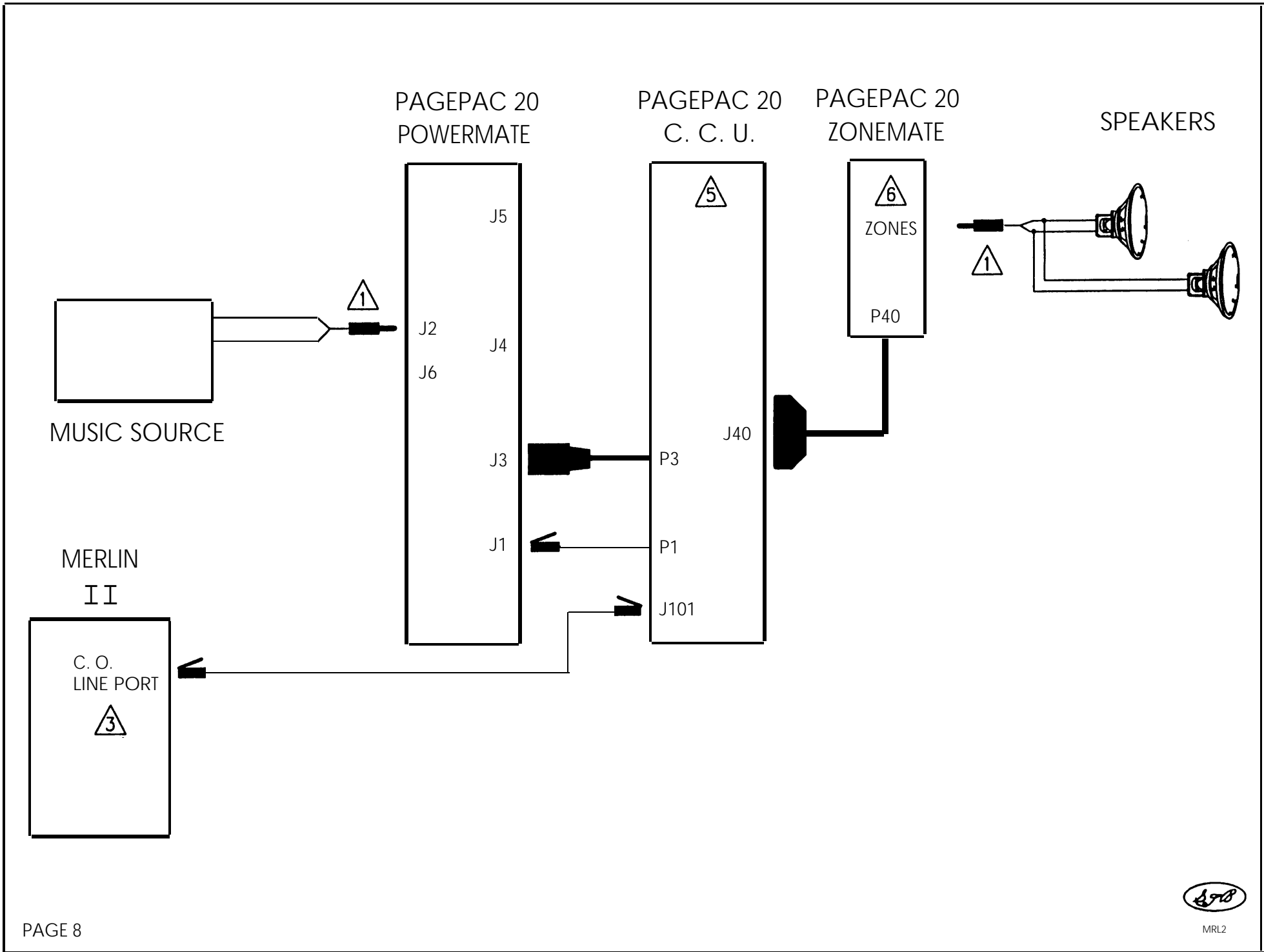
70 VOLT
SPEAKERS

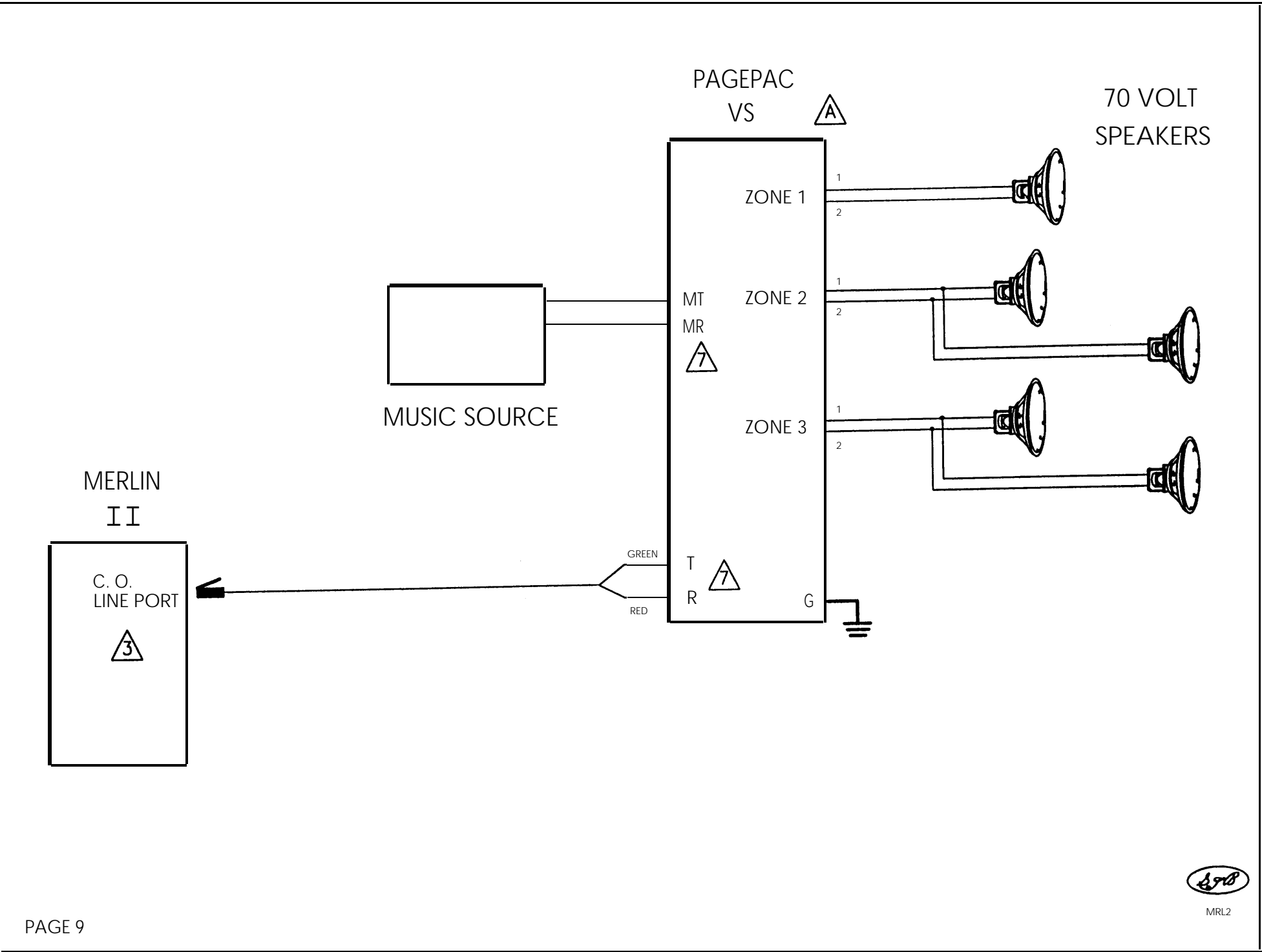
PAGEPAC 20
POWERMATE


PAGEPAC 20
TALKMATE

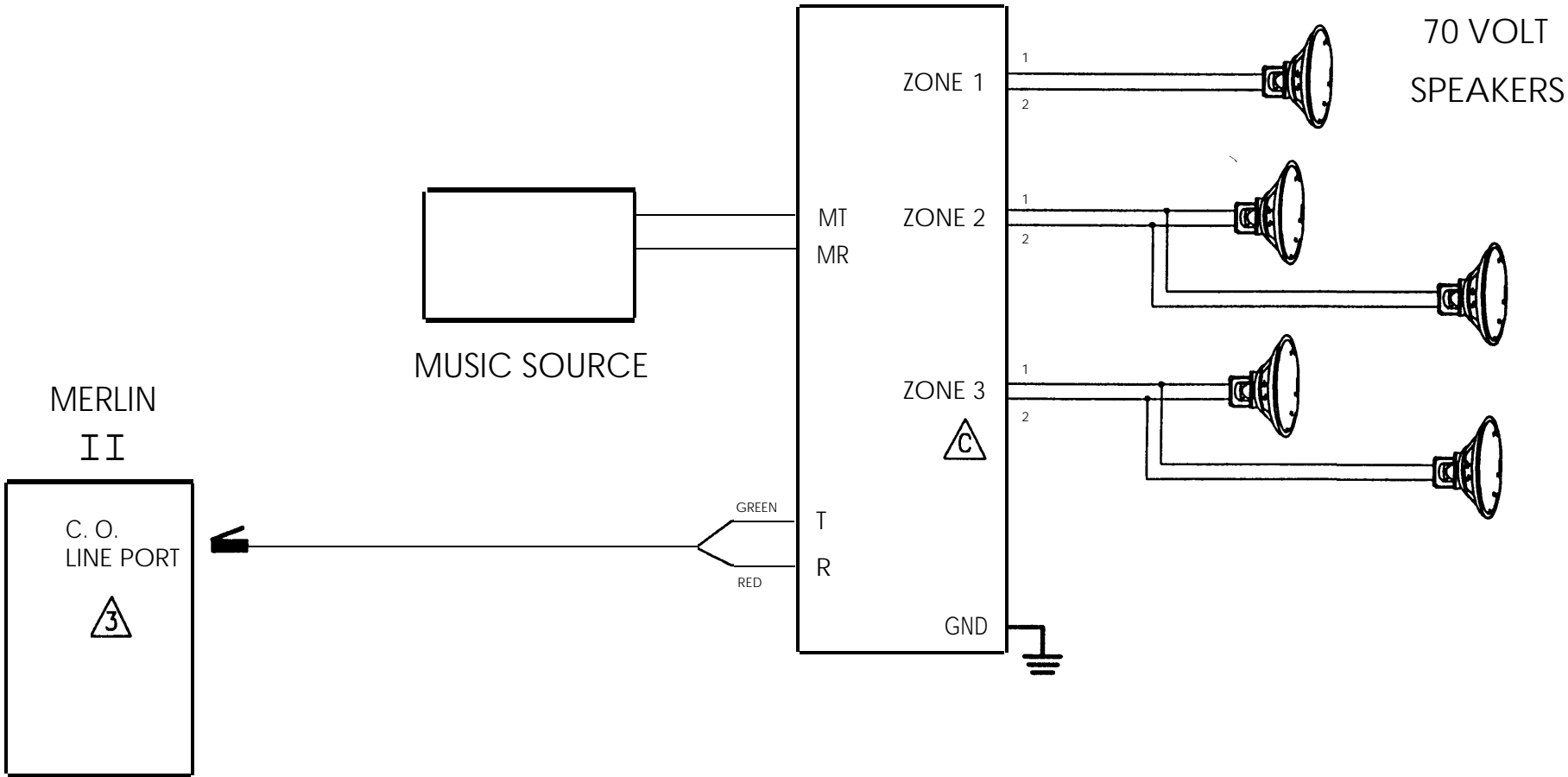
VOICE COIL
SPEAKERS

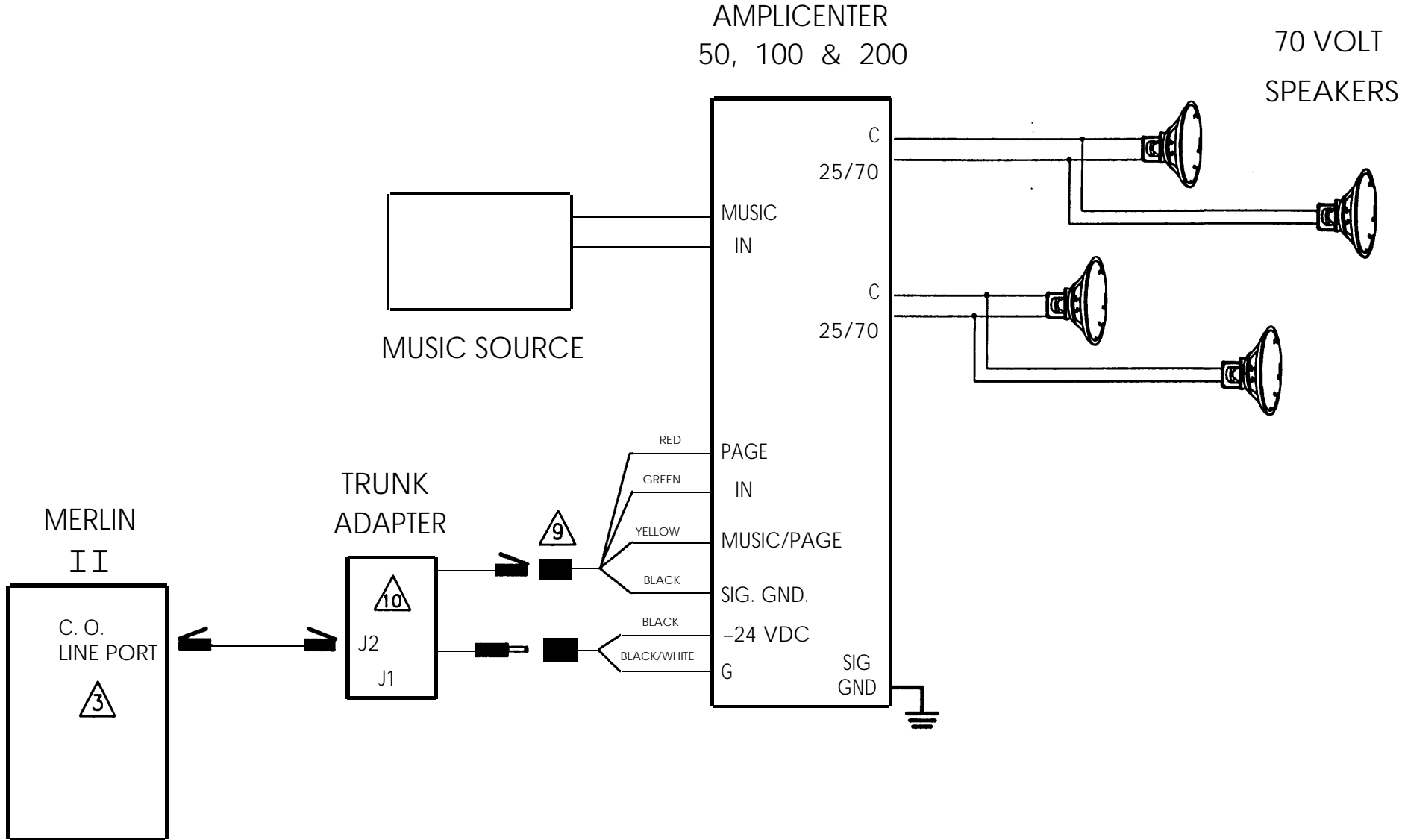




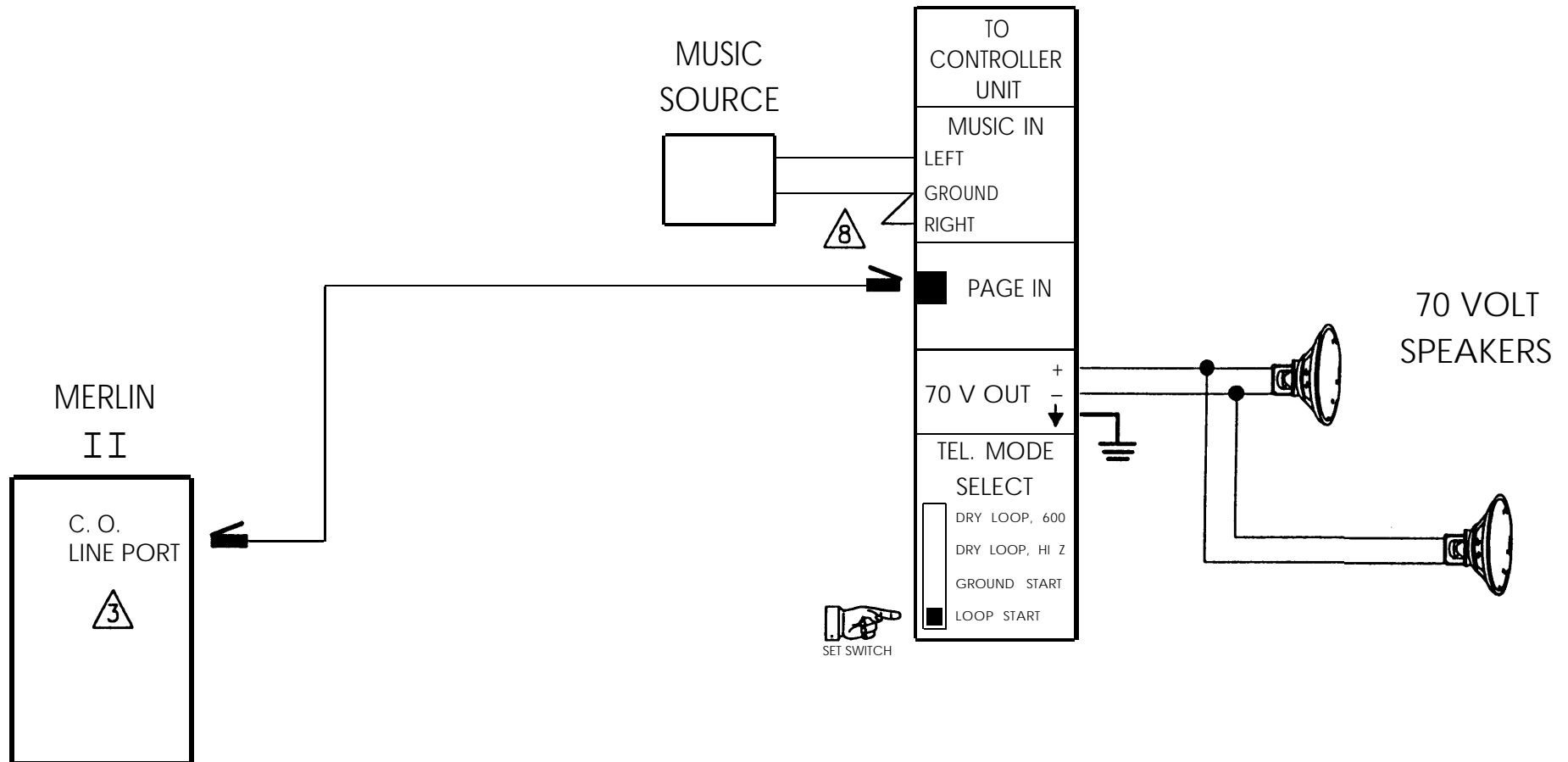


PAGEPAC
50, 100 & 200 



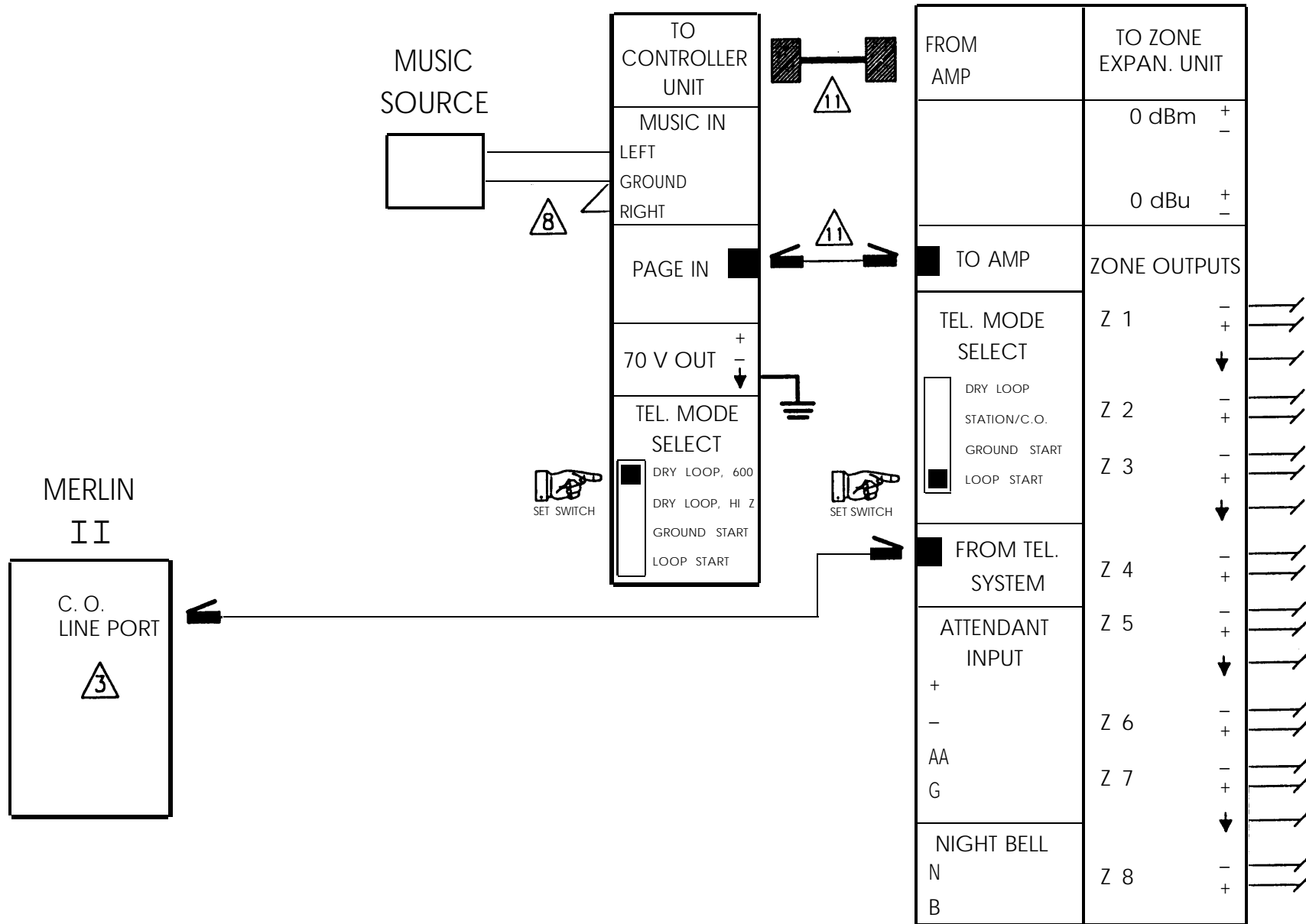


D20, D100, D300
AMPLICENTER



D20, D100, D300 AMPLICENTER

PAGEPAC PLUS CONTROLLER



NOTES:

- 1 RCA PLUGS.
- 2 A FOUR-CONDUCTOR MODULAR CORD MUST BE USED.
- 3 LINE PORT IS DEDICATED TO PAGING ONLY.
- 4 THESE CONNECTIONS ALLOW BOTH C.O. LINE PORTS TO ACCESS PAGING AND/OR OUTSIDE LINES.
- 5 PAGEPAC 20 COMMON CONTROL UNIT (C.C.U.) SET TO THE LOOP START (LS) POSITION.
- 6 CAN BE EITHER A ZONEMATE 9 OR A ZONEMATE 39. THE ZONEMATE 9 CAN BE CONFIGURED FOR 9 "VOICE COIL" ZONES OR 6 "VOICE COIL" ZONES AND 3 "70 VOLT" ZONES. ALL 39 ZONES OF THE ZONEMATE 39 ARE "VOICE COIL" OUTPUTS ONLY. TALKBACK CAN ONLY BE PROGRAMMED INTO "VOICE COIL" ZONES ON THESE SYSTEMS.
- 7 THE "MUSIC IN" PORT (MT/MR) IS FOUND ON "TB1" OF THE "UNIVERSAL INTERFACE CARD" (U.I.C.). THE "TIP/RING" PORT (T/R) IS FOUND ON "TB2" OF THE U.I.C.
- 8 STRAP TOGETHER.
- 9 ADAPTER CABLE SET P/N 22050-902 SUPPLIED WITH EACH AMPLICENTER.
- 10 LOOP START TRUNK ADAPTER.
- 11 USE ONLY THE CABLES PROVIDED WITH THE EQUIPMENT.
- 12 JACK LABELLED "TALKBACK VOICE COIL OUT".
- 13 THESE CONNECTIONS ALLOW ONE C.O. LINE PORT TO ACCESS PAGING AND/OR OUTSIDE LINES.



NOTES:



THE PAGEPAC VS COMES EQUIPPED WITH A "UNIVERSAL INTERFACE CARD" (U.I.C.). THE PAGEPAC VS WILL ONLY SUPPORT 3 ZONES, WITH AN ALL-CALL, OF PAGING. THE U.I.C. MUST BE OPTIONED FOR THE LOOP START ACCESS MODE.



THE PAGEPAC 50, 100 AND 200 WATT UNITS ALL COME EQUIPPED WITH A "C" APPLIQUE CARD AND A MASTER ZONE CARD. THE "C" APPLIQUE CARD MUST BE OPTIONED FOR THE LOOP START ACCESS MODE. WITH THESE TWO CARDS, THE PAGEPACS WILL SUPPORT 4 ZONES, WITH AN ALL-CALL, OF PAGING. THE ADDITION OF 5 AUXILIARY ZONE CARDS WILL BRING THE PAGEPACS UP TO THEIR MAXIMUM OF 24 ZONES.



ONLY CONNECTIONS FOR THE FIRST 3 ZONES ARE SHOWN HERE.

