

## RECESSED ROUND CEILING SPEAKER BACKBOX (V-5335030-5)

Fits back of Recessed Round Ceiling Speaker (V-5330115 & V-5330215).  
Complies with all fire codes in air plenum applications.

### **DIMENSIONS/WEIGHT**

- 12.3”Dia. x 4.0”H (31.24cm x 10.16cm)  
2.0 lbs. (0.9 kg)
1. Cut an eight and one-half inch square hole in ceiling tile using the support bridge as a template.
  2. Bend up the four horseshoe tabs on the support bridge.
  3. Position the support bridge on the tile and bend the eight locator tabs into the tile opening.
  4. Install the UL listed metallic enclosure entry fitting to the knockout to accommodate plenum cable or fitting for conduit.
  5. Install the enclosure to the bridge by orienting the four enclosure slots over the four horseshoe tabs of the bridge.
  6. With pliers, twist the four horseshoe tabs on the bridge one-half turn, securing the enclosure to the bridge. (Note: Four slots provided on each enclosure to mate with four twist tabs on support bridge eliminates need for screws.)
  7. Install the speaker/baffle assembly with the four 8-32 screws.  
(Screws are provided with the assembly.)

**Note:** Listed by Underwriters Laboratories, Inc. Category UUMW. Material and construction permits use where ceiling plenum is part of the air handling system.

**Note:** Compound knockout(s) provided for listed type metallic type fittings for one-half inch and three-quarter inch plenum rated cable and plenum whip flex conduit.

**Note:** All cable splices and connections to speaker/transformer pigtails must be made inside of listed enclosure.

## TECHNICAL ASSISTANCE

When calling, have a VOM and a telephone test set available and call from the job site. Call (540) 427-3900 and ask for PagePac Technical Support, or call (540) 427-6000 for Valcom 24-hour Automated Support or visit our websites at <http://www.pagepac.com> and [www.valcom.com](http://www.valcom.com).

Should repairs be necessary, attach a tag to the unit clearly stating company name, address, phone number, contact person, and the nature of the problem. Send the unit to:

**PagePac® Repair Dept.  
Valcom, Inc.  
5614 Hollins Road  
Roanoke, VA 24019-5056**

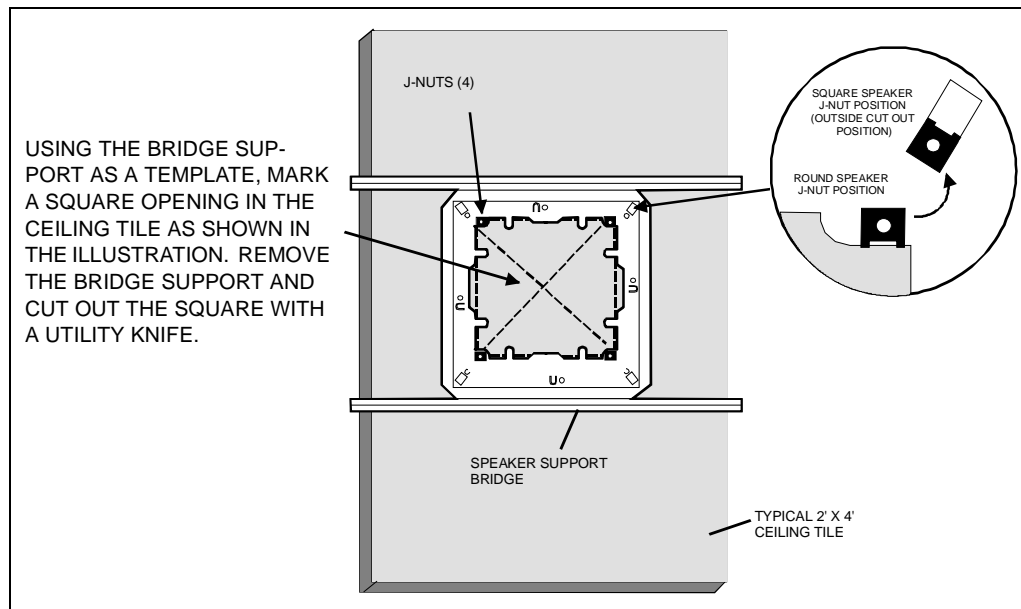


Figure 1

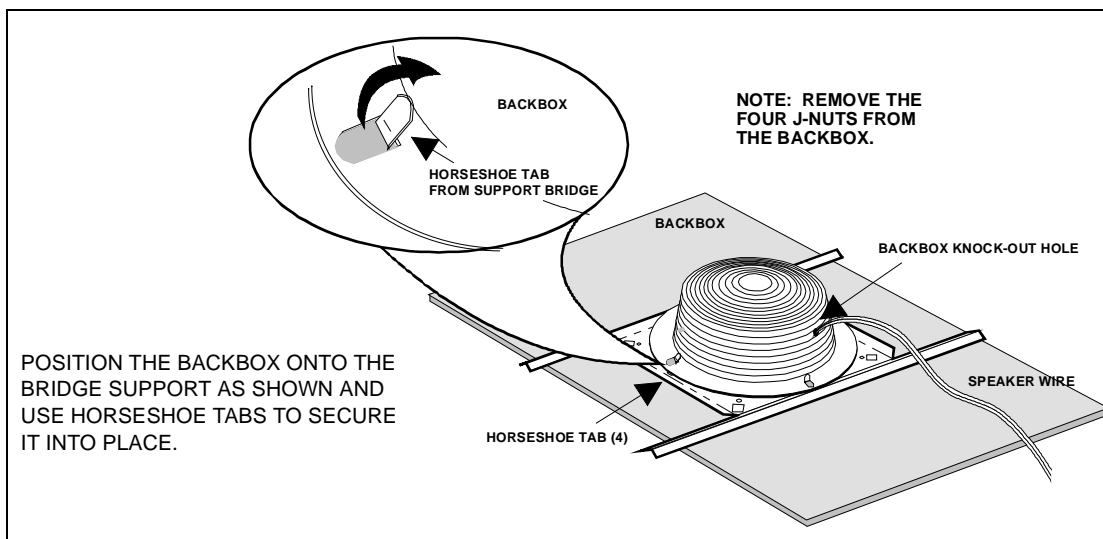


Figure 2