

## **TECHNICAL ASSISTANCE**

When trouble is reported, verify there are no broken connections to the unit. Assistance in troubleshooting is available from the factory. When calling, you should have a VOM and a lineman's test set available and be calling from the job site. Call (540) 563-2000 and ask for Technical Support, or call (540) 767-1555 for Valcom 24-hour Faxback System or visit our website at <http://www.valcom.com>.

Valcom equipment is not field repairable. Valcom, Inc. maintains service facilities in Roanoke, VA. Should repairs be necessary, attach a tag to the unit clearly stating your company name, address, phone number, contact person, and the nature of the problem. Send the unit to:

**Valcom, Inc.**  
**Repair and Return Dept.**  
**5614 Hollins Road**  
**Roanoke, VA 24019-5056**

### **VALCOM LIMITED WARRANTY**

Valcom, Inc. warrants its products to be free from defects in materials and workmanship under conditions of normal use and service for a period of one year from the date of shipment. The obligation under this warranty shall be limited to the replacement, repair or refund of any such defective device within the warranty period, provided that:

1. inspection by Valcom, Inc. indicates the validity of the claim,
2. the defect is not the result of damage, misuse, or negligence after the original shipment,
3. the product has not been altered in any way or repaired by others and that factory sealed units are unopened (A service charge plus parts and labor will be applied to units defaced or physically damaged),
4. freight charges for the return of products to Valcom are prepaid,
5. all units 'out of warranty' are subject to a service charge. The service charge will cover minor repairs (Major repairs will be subject to additional charges for parts and labor).

**This warranty is in lieu of and excludes all other warranties, expressed or implied, and in no event shall Valcom, Inc. be liable for any anticipated profits, consequential damages, loss of time or other losses incurred by the buyer in connection with the purchase, operation, or use of the product.**

This warranty specifically excludes damage incurred in shipment. In the event a product is received in damaged condition, the carrier should be notified immediately. Claims for such damage should be filed with the carrier involved in accordance with the F.O.B. point.

|                        |                              |
|------------------------|------------------------------|
| Headquarters:          | In Canada                    |
| Valcom, Inc.           | CMX Corporation              |
| 5614 Hollins Road      | 35 Van Kirk Drive #11 and 12 |
| Roanoke, VA 24019-5056 | Brampton, Ontario L7A1A5     |
| Phone: (540) 563-2000  | Phone: (905) 456-1072        |
| FAX: (540) 362-9800    | FAX: (905) 456-2269          |

## **INSTALLATION INSTRUCTIONS FOR**

# **VALCOM**



## **SLIMLINE WALL™ AMPLIFIED WALL SPEAKERS**

### **MODEL NO. V-1042**

Issue 6

947044

## VALCOM ONE-WAY AMPLIFIED SLIMLINE™ WALL SPEAKER

Valcom Slimline Wall Speaker, V-1042, is self-amplified and may be used to provide one-way paging from any Valcom one-way or talkback page control. This speaker has an externally accessible volume control located behind the grille and is screwdriver adjustable. The V-1042 will cover an area up to 600 square feet and should be spaced 20 feet apart. Good quality paging will be heard up to 30 feet in front of the speaker. The V-1042 requires -24VDC, 50mA (1 Valcom power unit). The speaker is available in black, white, brown and gray with a color coordinated cloth grille. Custom colors are available upon request.

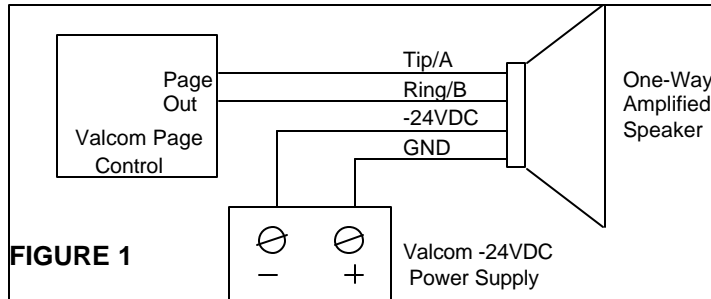
|                 |       |
|-----------------|-------|
| Model V-1042-BK | Black |
| Model V-1042-W  | White |
| Model V-1042-BR | Brown |
| Model V-1042-GY | Gray  |

US Patent Number D357,682, UK Registered 2041547

### Wiring

Make connections as shown in Figure 1. Insert stripped wire (approximately 3/16") into appropriate terminal (See Figure 2) and clamp the wire by turning the screw. Each connector accepts 18 to 24 AWG wire.

**Note:** Do not connect this speaker directly to a 25/70/100 Volt amplifier as damage to both the amplifier and speaker may occur.



### Recommended Quantity of Speakers per Specific Power Run

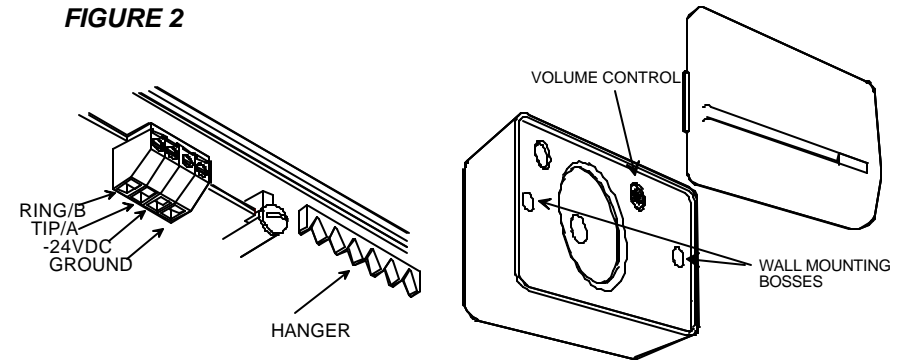
| Speakers per Power Run | Wire Run Length (Feet) |        |
|------------------------|------------------------|--------|
|                        | 24 AWG                 | 22 AWG |
| V-1042                 |                        |        |
| 15                     | 250                    | 400    |
| 7                      | 500                    | 800    |
| 3                      | 1000                   | 1600   |

### Mounting

The baffle provides two methods of mounting:

1. The baffle can be suspended from a nail or hook by a "hanger" that is attached to the housing. See Figure 2.
2. The unit can be attached to a wall using two mounting bosses. Distance between the mounting boss holes' center is 8.5". Remove grille and secure baffle to wall with screws. This mounting provides better low frequency response for music and a more secure attachment to the wall. See Figure 3.

**FIGURE 2**



**FIGURE 3**

### TROUBLESHOOTING CHART

| SYMPTOM                 | ACTION  |
|-------------------------|---|
| No audio from speaker   | <ol style="list-style-type: none"> <li>1. Verify volume control is turned up (clockwise).</li> <li>2. Using a lineman's test set, check for proper audio level on Tip/A and Ring/B leads and if necessary at the source.</li> </ol>   |
| Low volume from speaker | <ol style="list-style-type: none"> <li>1. Verify volume control is turned up.</li> <li>2. Check voltage at the speaker when in use (-18 to -24VDC required).</li> <li>3. Using a lineman's test set, check for proper audio level on Tip/A and Ring/B leads. It is possible some low level audio will be heard with only one side of Tip/A and Ring/B connected.</li> </ol> |
| Loud squeal (feedback)  | <ol style="list-style-type: none"> <li>1. Decrease volume of speaker (counterclockwise).</li> <li>2. Increase the distance between telephone and speaker.</li> <li>3. Install confidencer on the telephone in severe problem areas.</li> </ol>  |

### Dimensions/Weight

- 7.00" H x 10.30" W x 3.40" D (17.78cm H x 26.16cm W x 8.64cm D)
- 2.8 lbs. (1.27 kg)