

## V-420 DYNAMIC NOISE CANCELLING MICROPHONE

### **INTRODUCTION**

These instructions contain the specifications and information necessary to install, operate and maintain the V-420 Dynamic Noise Cancelling Microphone.

### **SPECIFICATIONS**

#### **Applications**

- Valcom Paging Systems

#### **Features**

- Dynamic Element
- Soft Lip Guard
- Cyclac Housing
- Push to Talk Button
- Heavy Duty Four Conductor Shielded Cable
- Low Impedance (Balanced)

#### **Dimensions/Weight**

- 3.94"H x 2.97"W x 2.63"D  
(10.00cm H x 7.54cm W x 6.68cm D)
- 10 oz. (284 grams)

#### **Specifications**

- Element Dynamic
- Frequency Response 100 to 5KHz
- Output Impedance Lo Z 200 Ohms
- Output Level Lo Z -58dB  
(0dB = 1 mw/10 microbars)

### **INSTALLATION**

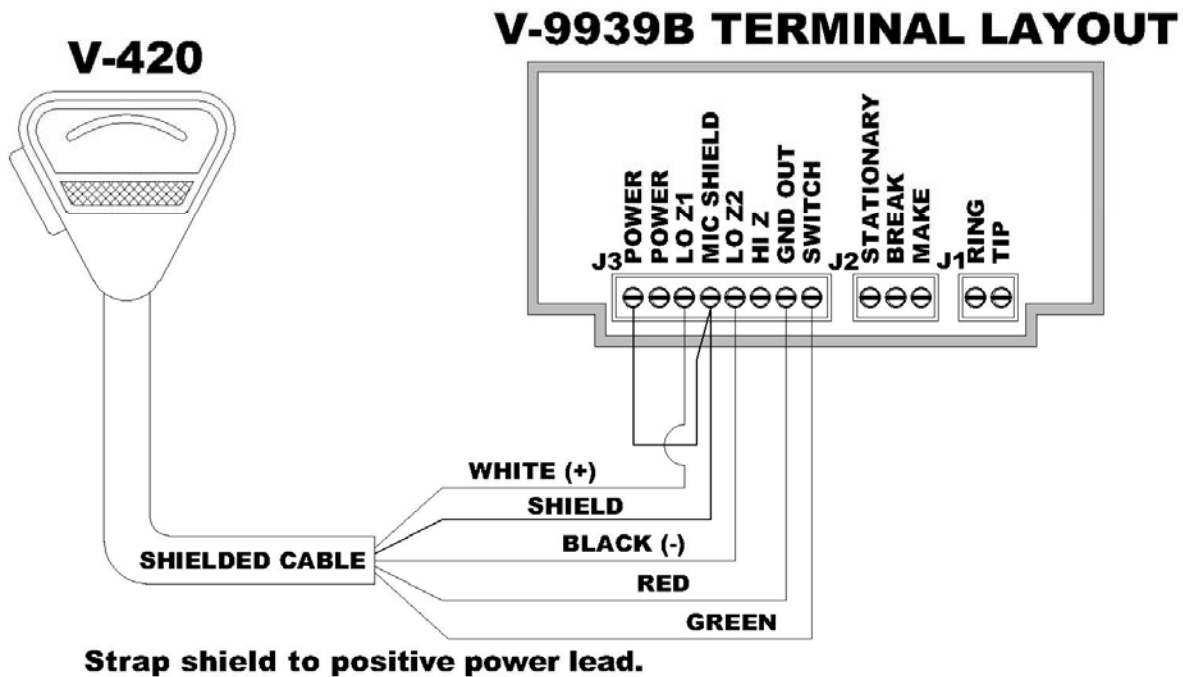
Figure 1 (on reverse) depicts the V-420 connected to the Valcom V-9939B microphone adapter.

### **TECHNICAL ASSISTANCE**

When trouble is reported, verify the unit is turned on and there are no broken connections leading to this unit. Assistance in troubleshooting is available from the factory. When calling, have a VOM and a test set available and call from the job site. Call (540) 563-2000 and ask for Technical Support and press 1 or visit our website at <http://www.valcom.com>.

Valcom equipment is not field repairable. Valcom, Inc. maintains service facilities in Roanoke, VA. Should repairs be necessary, attach a tag to the unit clearly stating your company name, address, phone number, contact person and the nature of the problem. Send the unit to:

**Valcom, Inc.**  
**Repair and Return Dept.**  
**5614 Hollins Road**  
**Roanoke, VA 24019-5056**



**FIGURE 1. CONNECTING ARRANGEMENT**

**VALCOM LIMITED WARRANTY**

Valcom, Inc. warrants its products to be free from defects in materials and workmanship under conditions of normal use and service for a period of one year from the date of shipment. The obligation under this warranty shall be limited to the replacement, repair or refund of any such defective device within the warranty period, provided that:

1. inspection by Valcom, Inc. indicates the validity of the claim;
2. the defect is not the result of damage, misuse, or negligence after the original shipment;
3. the product has not been altered in any way or repaired by others and that factory sealed units are unopened (a service charge plus parts and labor will be applied to units defaced or physically damaged);
4. freight charges for the return of products to Valcom are prepaid;
5. all units 'out of warranty' are subject to a service charge. The service charge will cover minor repairs (major repairs will be subject to additional charges for parts and labor).

**This warranty is in lieu of and excludes all other warranties, expressed or implied and in no event shall Valcom, Inc. be liable for any anticipated profits, consequential damages, loss of time or other losses incurred by the buyer in connection with the purchase, operation, or use of the product.**

This warranty specifically excludes damage incurred in shipment. In the event a product is received in damaged condition, the carrier should be notified immediately. Claims for such damage should be filed with the carrier involved in accordance with the F.O.B. point.

Headquarters:  
Valcom, Inc.  
5614 Hollins Road  
Roanoke, VA 24019  
Phone: (540) 563-2000  
FAX: (540) 362-9800

In Canada  
CMX Corporation  
35 Van Kirk Drive #11 and 12  
Brampton, Ontario L7A 1A5  
Phone: (905) 456-1072  
FAX: (905) 456-2269