

# V-9943A

## ELECTRONIC MULTI-TONE RINGER

### GENERAL

The V-9943A is a Line-Powered Electronic Multi-Tone Ringer which is designed for use in an office environment with a quiet to moderate ambient noise level. The V-9943A can be connected to a PABX Station, or common audible contact to provide a selectable tone and an LED indication to indicate the presence of incoming calls.



### APPLICATIONS

- E-Key system common audible ringer.
- 1A2 key system common audible ringer.
- PABX station ringer.

### SPECIFICATIONS

#### Design

The V-9943A is designed to give incoming call indication. Incoming call indication is recognized as an interrupted tone and a light. The tone can be a solid or warble tone. Different frequencies can be selected using DIP switches (See Option Switch Chart).

#### Features

- Provides a tone indication when a call is ringing in.
- Switch selectable tone(s).
- Volume control.
- LED indication of incoming call.
- Separate power supply not required.
- Screw terminals for all connections

#### Dimensions/Weight

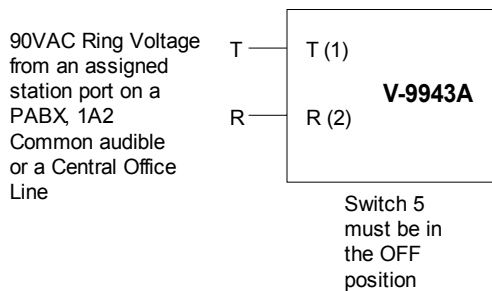
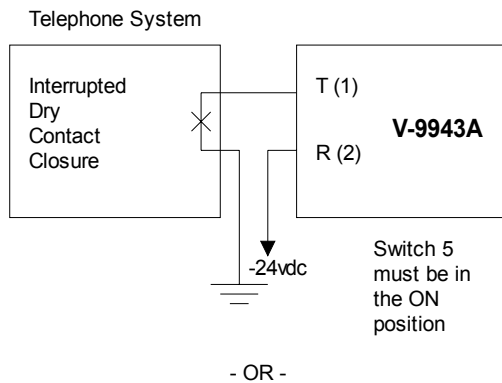
- 3.33"H x 5.65"W x 1.75"D  
(8.46cm x 14.35cm x 4.44cm)
- .5 lbs. (.23 kg)

#### Power Requirements

70-105 VAC (20-30 Hz), 50 mA max. or -24 VDC, 50 mA max.

The V-9943A is not intended for direct or indirect connection to public telephone network or any telephone line providing dial tone. When used with a customer premise telephone system such as a key system or PABX system, these units are interfaced to the system via a fully protected page port or system central office port, which is fully protected interface device. Also, the host system must be configured to disallow central trunk conferencing in order to prevent indirect connection to the public network.

# INSTALLATION/OPERATION



The V-9943A is activated by 70-105 VAC (ring voltage) or -24 VDC (normally through an interrupted contact closure).

An LED provides a visual indication when the unit is activated.

The tones are dipswitch selectable. The various tones available are described in the Option Switch Chart along with the switch configuration necessary to obtain the tone.

The dip switches and volume control are accessed through the opening in the rear of the enclosure.

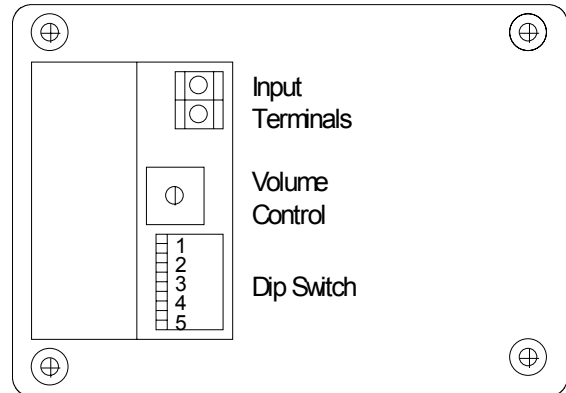
## A. Setting the Dip Switches

Switches 1-4 determine tone. Switch 5 determines AC or DC operation.

1. Determine if the equipment will be used with AC or DC current. For DC current SW5 should be in the ON position. For AC current (ring voltage) SW5 should be in the OFF position.

**CAUTION: Do Not Use Ring Voltage with SW5 in the ON position.**

2. Switches 1, 2, 3, and 4 set the tones. Refer to the Option Switch Chart to obtain the setting of the desired tone.



## B. Setting the Volume Control

The volume control is screwdriver adjustable. During initial setup, it is recommended the volume control be set 1/4 turn clockwise.

## C. Mounting

The V-9943A has mounting holes located on the sides of the unit. Two #10 x 3/4" wood screws are included for mounting purposes.

# TECHNICAL ASSISTANCE

Assistance in troubleshooting is available from the factory. When calling, you should have a Volt ohm meter and a telephone test set available and be calling from the job site. Call (540) 563-2000 and Press 1 for Technical Support, or visit our website at <http://www.valcom.com>.

Valcom equipment is not field repairable. Valcom, Inc. maintains service facilities in Roanoke, VA. Should repairs be necessary, attach a tag to the unit clearly stating your company name, address, phone number, contact person, and the nature of the problem. Send the unit to:

**Valcom, Inc.**  
**Repair and Return Dept.**  
**5614 Hollins Road**  
**Roanoke, VA 24019-5056**

## OPTION SWITCH CHART

TONE SELECTION	SW1	SW2	SW3	SW4
No Sound	Off	Off	Off	Off
Low Pitch Solid Tone	Off	On	Off	Off
Low Pitch Warble Tone	Off	On	On	Off
Low Pitch Fast Warble Tone	Off	On	Off	On
Low Pitch Very Fast Warble Tone	Off	On	On	On
High Pitch Solid Tone	On	Off	Off	Off
High Pitch Warble Tone	On	Off	On	Off
High Pitch Fast Warble Tone	On	Off	Off	On
High Pitch Very Fast Warble Tone	On	Off	On	On
Very High Pitch Solid Tone	On	On	Off	Off
Very High Pitch Warble Tone	On	On	On	Off
Very High Pitch Fast Warble Tone	On	On	Off	On
Very High Pitch Very Fast Warble Tone	On	On	On	On

The V-9943A can be used as a contact closure with dip switch 5 ON.

For ring voltage, dipswitch 5 should be in the OFF position.

NOTE: Dip switch positioned Up = OFF; Dip switch positioned Down = ON.

### VALCOM LIMITED WARRANTY

Valcom, Inc. warrants its products to be free from defects in materials and workmanship under conditions of normal use and service for a period of one year from the date of shipment. The obligation under this warranty shall be limited to the replacement, repair or refund of any such defective device within the warranty period, provided that:

1. inspection by Valcom, Inc. indicates the validity of the claim,
2. the defect is not the result of damage, misuse, or negligence after the original shipment,
3. the product has not been altered in any way or repaired by others and that factory sealed units are unopened, (a service charge plus parts and labor will be applied to units defaced or physically damaged),
4. freight charges for the return of products to Valcom are prepaid,
5. all units 'out of warranty' are subject to a service charge. The service charge will cover minor repairs, (major repairs will be subject to additional charges for parts and labor).

**This warranty is in lieu of and excludes all other warranties, expressed or implied, and in no event shall Valcom, Inc. be liable for any anticipated profits, consequential damages, loss of time or other losses incurred by the buyer in connection with the purchase, operation or use of the product.**

This warranty specifically excludes damage incurred in shipment. In the event a product is received in damaged condition, the carrier should be notified immediately. Claims for such damage should be filed with the carrier involved in accordance with the F.O.B. point.

Headquarters:  
Valcom, Inc.  
5614 Hollins Road  
Roanoke, VA 24019  
Phone: (540) 563-2000  
FAX: (540) 362-9800

In Canada:  
CMX Corporation  
35 Van Kirk Drive #11 and 12  
Brampton, Ontario L7A 1A5  
Phone: (905) 456-1072  
FAX: (905) 456-2269