

Panasonic

Digital Super Hybrid System
KX-TD816E
KX-TD1232E

User Manual Addendum
for
KX-TD7590CE

In this manual, the suffix “E” or “CE” of each model number is omitted.

Table of Contents

1	Operation	3
1.1	Operation Outline	3
1.2	Redial	4
2	Selecting the Feature Buttons on the Display	5
3	PS Programming	6
4	PBX Programming.....	17

Note

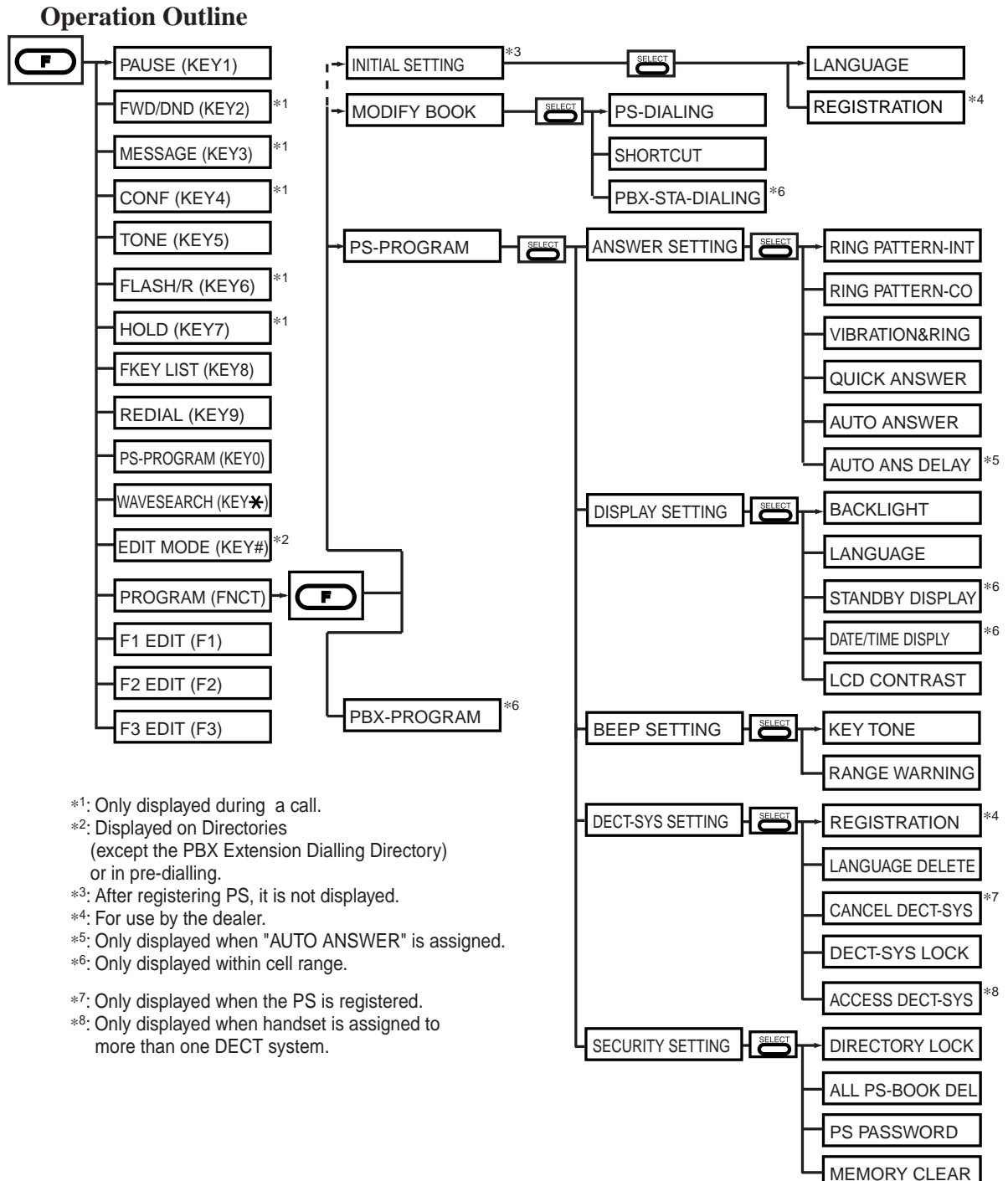
This guide shows you the additional features for the DECT Portable Station (KX-TD7590)
Please refer to this guide in addition to the current User Manual.

1 Operation

1.1 Operation Outline

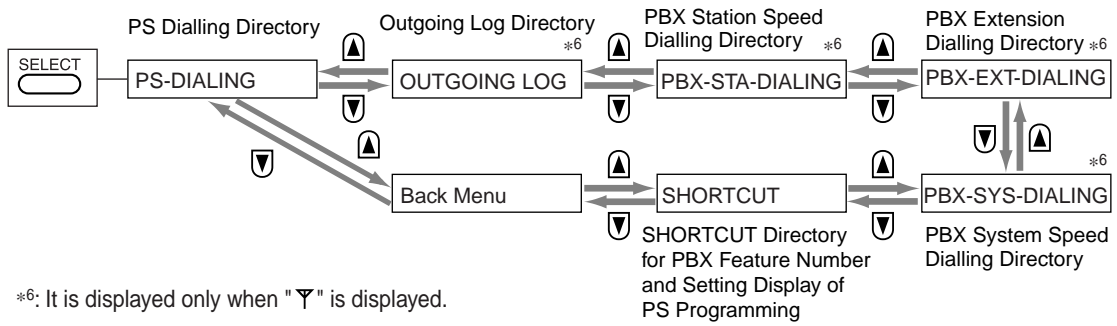
◆◆ How to navigate through the LCD menu using   keys

◆ Using the **FUNCTION** button



◆ **Using the *SELECT* button**

(Directories)



1.2 Redial

◆ **To clear all numbers in the call log**

PS

F **#** →

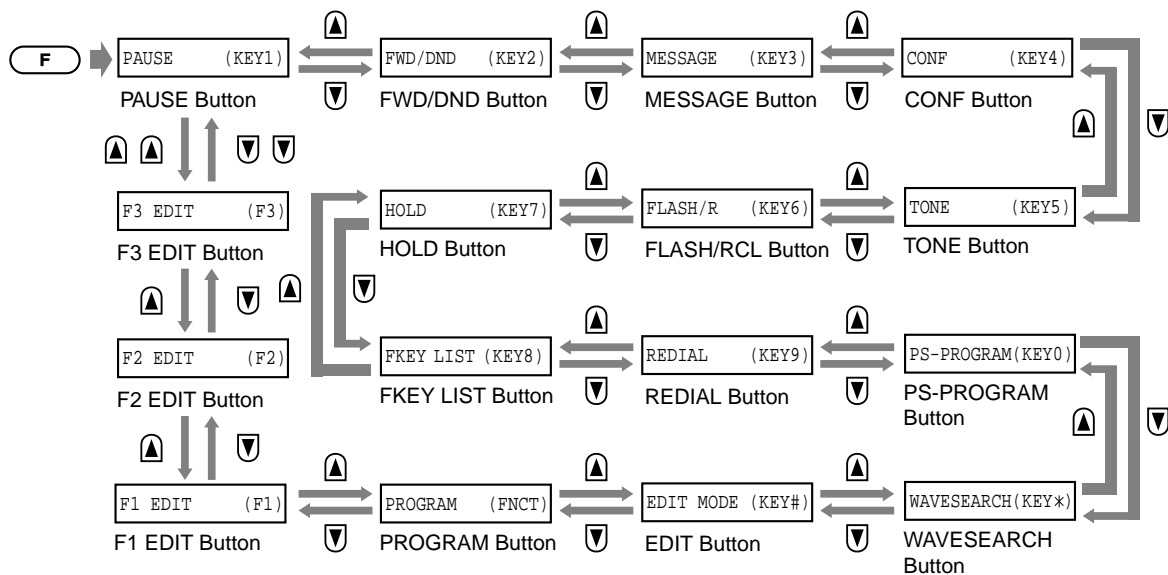
F3

Press **FUNCTION** and then **#** while the call log is displayed. Press **F3**.

2 Selecting the Feature Buttons on the Display

The following buttons can be activated using display operations when they are available.

- PAUSE (KEY1) Button
- FWD/DND (KEY2) Button
- MESSAGE (KEY3) Button
- CONF (Conference) (KEY4) Button
- PHONE (KEY5) Button
- FLASH/RCL (KEY6) Button
- HOLD (KEY7) Button
- FKEY LIST (KEY8) Button
- REDIAL (KEY9) Button
- PS-PROGRAM (KEY0) Button
- WAVESEARCH (KEY*) Button
- EDIT MODE (KEY#) Button
- PROGRAM (FNCT) Button
- F1 EDIT (F1) Button
- F2 EDIT (F2) Button
- F3 EDIT (F3) Button



<Example>

To cancel the Do Not Disturb feature



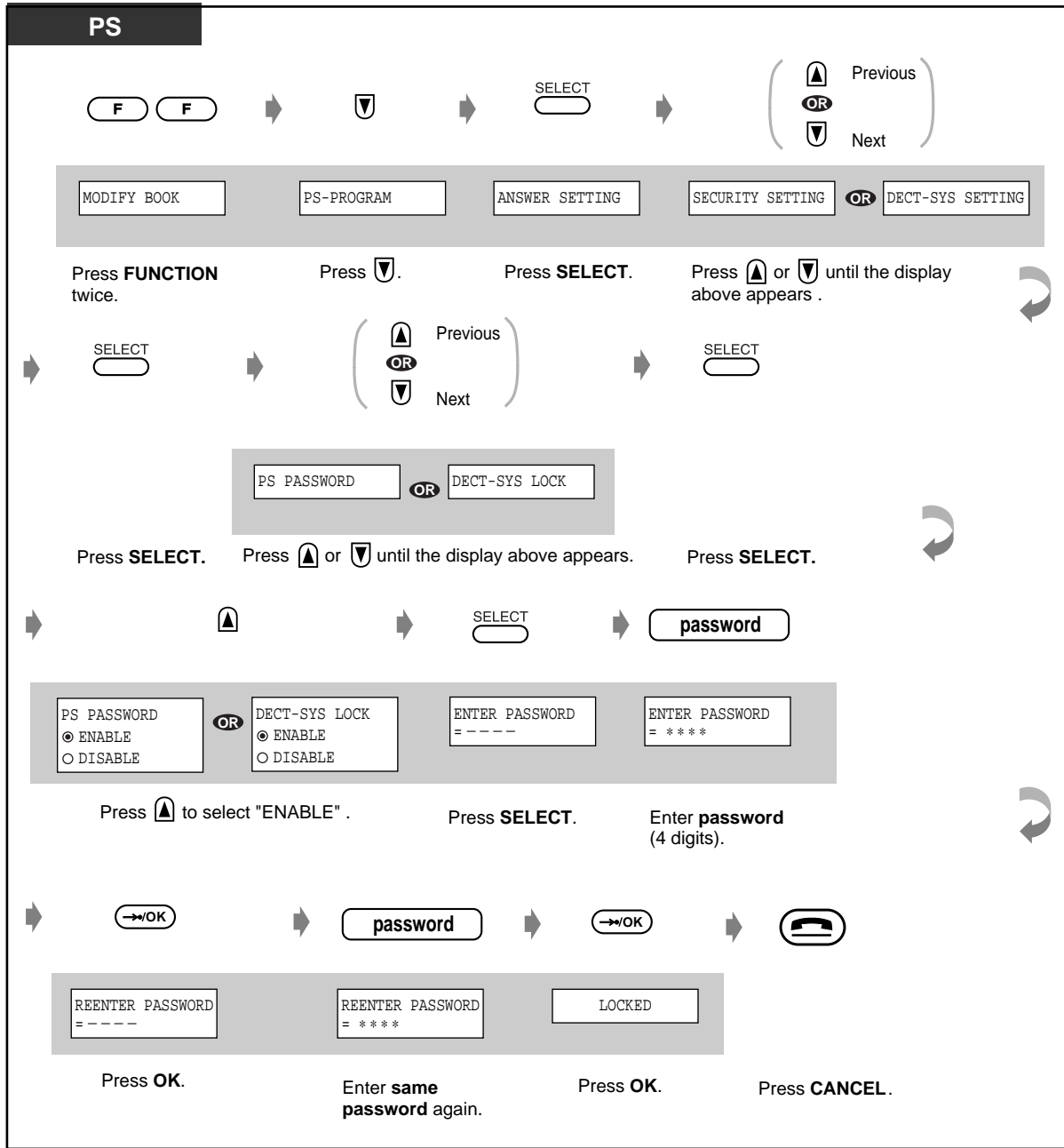
3 Handset (PS) Programming

You may be required to enter a **PS Programming password** when entering the security setting mode.

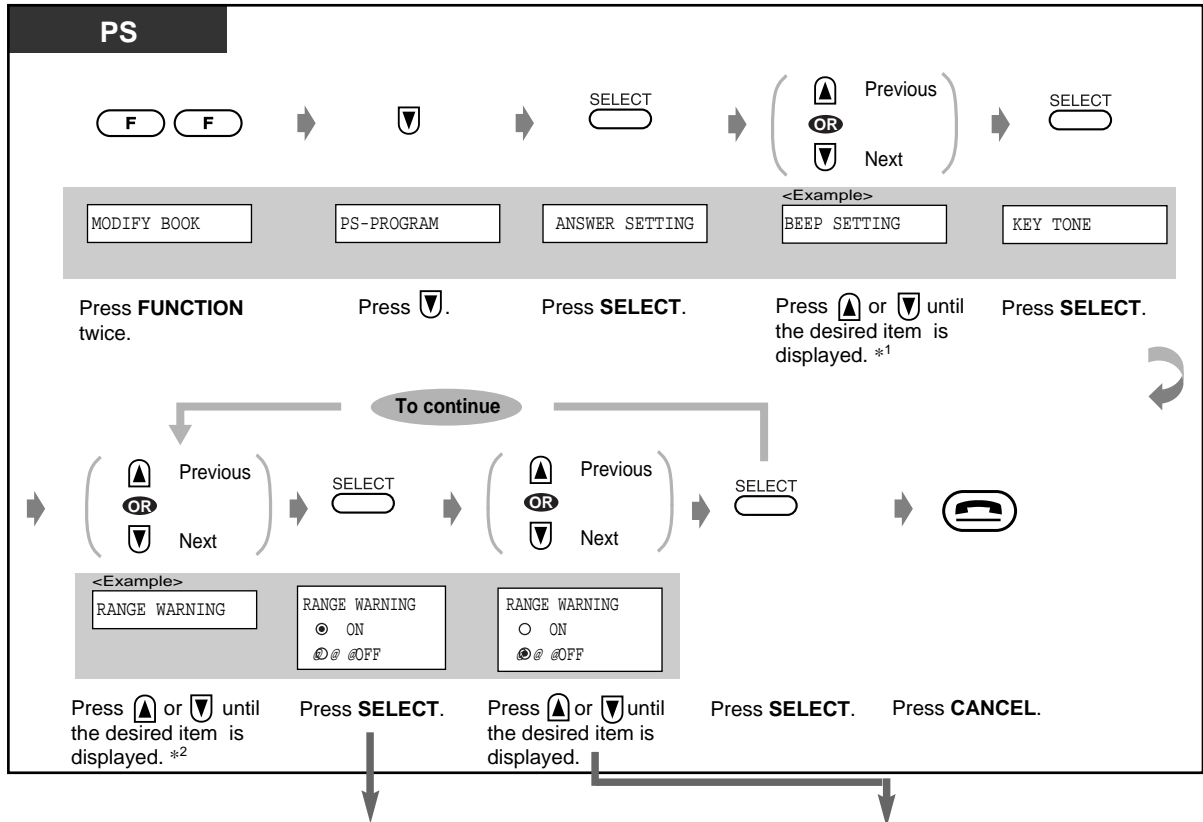
And you may be required to enter a **DECT System Lock password** when entering the DECT-SYS Setting mode.

Once the password is entered you can proceed to the next step.

◆◆ To set the PS Programming / DECT System Lock password



◆◆ To change the initial settings



Categories*1	Display	Item	Selection*3	Menu no.*14
ANSWER SETTING	RING PATTERN-INT BELL1 CHANGE=SELECT	You may choose from the 6 Ring Tones or 4 Melodies. (Ringer Pattern Selection)	<input type="checkbox"/> Ringer pattern no. <input type="text"/>	- INT (1) (1)
	<input type="checkbox"/> Ringer pattern 1 (BELL1)		- CO (1) (abc) 2	
	VIBRATION & RING OFF CHANGE=SELECT	How you are alerted to a call. *4 (Vibration and Ring Type Selection)	<input type="checkbox"/> Ring and vibrate at the same time (RING & VIB) <input type="checkbox"/> Vibrate for 5 seconds then ring (VIB→RING) <input type="checkbox"/> Not use the vibration and ring mode (OFF)	(1) (DEF) 3
QUICK ANSWER ● ON ○ OFF	Do you prefer to answer an incoming call by just lifting your ringing PS off the Charger? (Quick Answering Mode Set)	<input type="checkbox"/> Yes (ON) <input type="checkbox"/> No (OFF)	(1) (GHI) 4	

Categories* ¹	Display	Item	Selection* ³	Menu no.* ¹⁴
ANSWER SETTING	AUTO ANSWER OFF CHANGE=SELECT	Do you prefer to answer a call without pressing CO, TALK or INT buttons when using the headset? (Automatic Answer Mode Set)	<input type="checkbox"/> No (OFF) <input type="checkbox"/> Answer all calls. (INT/CO) <input type="checkbox"/> Answer only intercom calls. (INT ONLY)	1 (1) 5
	AUTO ANS DELAY 6S CHANGE=SELECT	Select the number of seconds before answering a call automatically when using the headset.* ⁵ (Automatic Answer Delay Selection)	<input type="checkbox"/> [] seconds <input type="checkbox"/> 6 s	1 (1) 6
DISPLAY SETTING	BACKLIGHT ● ON ○ OFF	Do you prefer the keypad backlight? (Keypad Backlight Mode Set)	<input type="checkbox"/> Yes (ON) <input type="checkbox"/> No (OFF)	(1) 2 (1)
	LANGUAGE AUTO CHANGE=SELECT	Do you prefer to change the display language? (Display Language Selection)	<input type="checkbox"/> English <input type="checkbox"/> German (Deutsch) <input type="checkbox"/> French (FRANCAIS) <input type="checkbox"/> Italian (ITALIANO) <input type="checkbox"/> Spanish (ESPANOL) <input type="checkbox"/> Dutch (NEDERLANDS) <input type="checkbox"/> Auto (English)*⁶	(1) 2 (1) 2
	STANDBY DISPLAY SYS-NO.&EXT CHANGE=SELECT	Which standby display do you prefer? * ⁷ (Standby Display Selection)	<input type="checkbox"/> Extension no. (EXTN) <input type="checkbox"/> DECT system no. (SYS-NO.) <input type="checkbox"/> DECT system and extension no. (SYS-NO.&EXTN) <input type="checkbox"/> None of these (OFF)	(1) 2 (1) 3
	DATE/TIME DISPLY ● TIME ○ DATE	Which display do you prefer in the Standby mode? * ⁷ (Date / Time Display Selection)	<input type="checkbox"/> Date and time (TIME) <input type="checkbox"/> Date (DATE)	(1) 2 (1) 4

Categories*1	Display	Item	Selection*3	Menu no.*14
DISPLAY SETTING	LCD CONTRAST ▲ LIGHT ▼ DARK	Preferred contrast level from the 12 levels available. (LCD Contrast Selection) - default: Level 7		ABC 2 (REL 5)
BEEP SETTING	KEY TONE ● ON ○ OFF	Do you prefer to hear the key tone? (Key Tone Set)	<input type="checkbox"/> Yes (ON)	DEF 3 (1)
			<input type="checkbox"/> No (OFF)	
	RANGE WARNING ● ON ○ OFF	Do you prefer an audible warning when out of range?(Range Warning Setting)	<input type="checkbox"/> Yes (ON)	DEF 3 ABC 2
			<input type="checkbox"/> No (OFF)	
DECT-SYS SETTING	REGISTRATION ● DECT-SYS1 ○ DECT-SYS2	Which DECT system are you registering? *8 (Registration)	<input type="checkbox"/> DECT-SYS1	OH 4 (1)
			<input type="checkbox"/> DECT-SYS2	
			<input type="checkbox"/> DECT-SYS3	
			<input type="checkbox"/> DECT-SYS4	
	LANGUAGE DELETE ● Deutsch ○ FRANCAIS	Do you prefer to delete the language ? *9	<input type="checkbox"/> German (Deutsch)	OH 4 ABC 2
			<input type="checkbox"/> French (FRANCAIS)	
		<input type="checkbox"/> Italian (ITALIANO)		
		<input type="checkbox"/> Spanish (ESPANOL)		
		<input type="checkbox"/> Dutch (NEDERLANDS)		
CANCEL DECT-SYS ● DECT-SYS1 ○ DECT-SYS2		This programming is for dealer only. This program cancels the PS registration. Use this function only when the PBX program (PS Termination) fails to cancel the registration *10 (PS Registration Cancellation)		OH 4 DEF 3
DECT-SYS LOCK ○ ENABLE ● DISABLE		Do you prefer to use the DECT System Lock Password? (DECT System Lock Password Set)	<input type="checkbox"/> Yes (ENABLE)	OH 4 OH 4
			<input type="checkbox"/> No (DISABLE)	
ACCESS DECT-SYS AUTO CHANGE=SELECT		To access a different DECT system(1 to 4)*11 (DECT System Selection)	<input type="checkbox"/> DECT System no. <input type="text"/>	OH 4 (REL 5)
			<input type="checkbox"/> AUTO (All connected terminals)	

Categories* ¹	Display	Item	Selection* ³	Menu no.* ¹⁴
SECURITY SETTING	DIRECTORY LOCK ○ ON ● OFF	To lock / unlock the PS dialling directory. * ¹² (Directory Lock Control)	<input type="checkbox"/> Lock (ON) <input type="checkbox"/> Unlock (OFF)	JL 5 1
	DELETE? ● NO ○ YES	Select "YES" and press the SELECT button to delete all items stored in the PS Dialling directory. (ALL PS-BOOK DEL)		JL 5 ABC 2
	PS PASSWORD ○ ENABLE ● DISABLE	Do you prefer to use the PS Programming password? * ¹³ (PS Programming Password Set)	<input type="checkbox"/> Yes (ENABLE) <input type="checkbox"/> No (DISABLE)	JL 5 DEF 3
	INITIALIZE DATA? ● NO ○ YES	The following settings will be returned to their default settings. - Ringer volume - Receiver volume - PS Programming items (except: Selecting the DECT System; Cancelling the PS Registration; Setting the PS Programming Password; Setting the DECT System LOCK) Select "YES" and press the SELECT button after the display on the left appears. (Memory Clear)		JL 5 OH 4



- ***1 Setting Categories:** there are five settings. You must display the destined setting on this step to select the desired item.
- ***2** If the password has been assigned, it is required only when "SECURITY SETTING" or "DECT-SYS SETTING" is selected.
- ***3 Selection:** the default is in gray.
- ***4** If you set the ringer volume off / vibration on mode or meeting mode using the UP / DOWN button, the PS doesn't ring regardless of this setting.
- ***5** The display of this item is only displayed when "Automatic Answer Mode Set" is set to "INT/CO" or "INT ONLY".

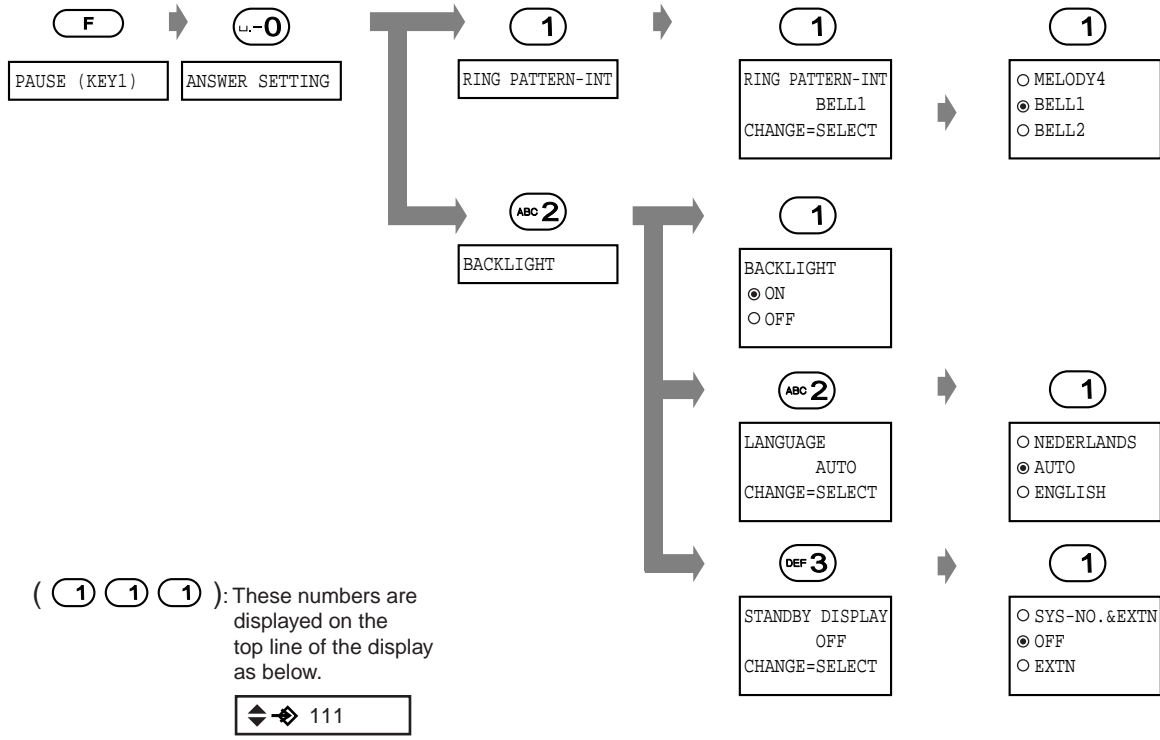
Notice

If you set "INT/CO" or "INT ONLY" to the Automatic Answer Mode (PS Programming) and connect the headset, your phone will answer incoming calls automatically. If you leave PS unattended with the headset connected, the following problems will occur.

1. The PS will answer calls and calling party will be charged even though you are not there to take the call.
 2. Depending on the line, even if the calling party disconnects the call, the DECT line will remain connected until you disconnect the call manually or the battery expires. The PBX trunk may also remain connected to the network. Please note the following;
 - a. Please set "INT/CO" or "INT ONLY" to the Automatic Answer Mode only when necessary.
 - b. If you are using the "INT/CO" or "INT ONLY" setting in the Automatic Answer Mode and you take off the headset, please pull the headset jack out. The Automatic Answer Mode is not available while the PS is on the charger.
- ***6** If the setting is still "AUTO", the display language will depend on the setting of the system.
 - ***7** The display of this item is displayed only when " ™ " is displayed.
 - ***8** This display is used for PS registration and not displayed if all DECT Systems are registered. For details, consult your dealer.
 - ***9** If the displayed language is deleted, the language assigned to "AUTO" will be displayed.
 - ***10** The display of this item is displayed only when the PS is registered.
 - ***11** The display of this item is only displayed when more than two fixed terminals are connected.
 - ***12** If "ON" is selected, "ENABLE" of "PS PASSWORD" is selected automatically. Even if "OFF" is selected, "DISABLE" is not selected automatically.
 - ***13** If "DISABLE" is selected, the PS Dialling Directory is unlocked.

- *14 You can easily access each setting in the PS-PROGRAM mode by pressing menu numbers in order as follows:

<Example>

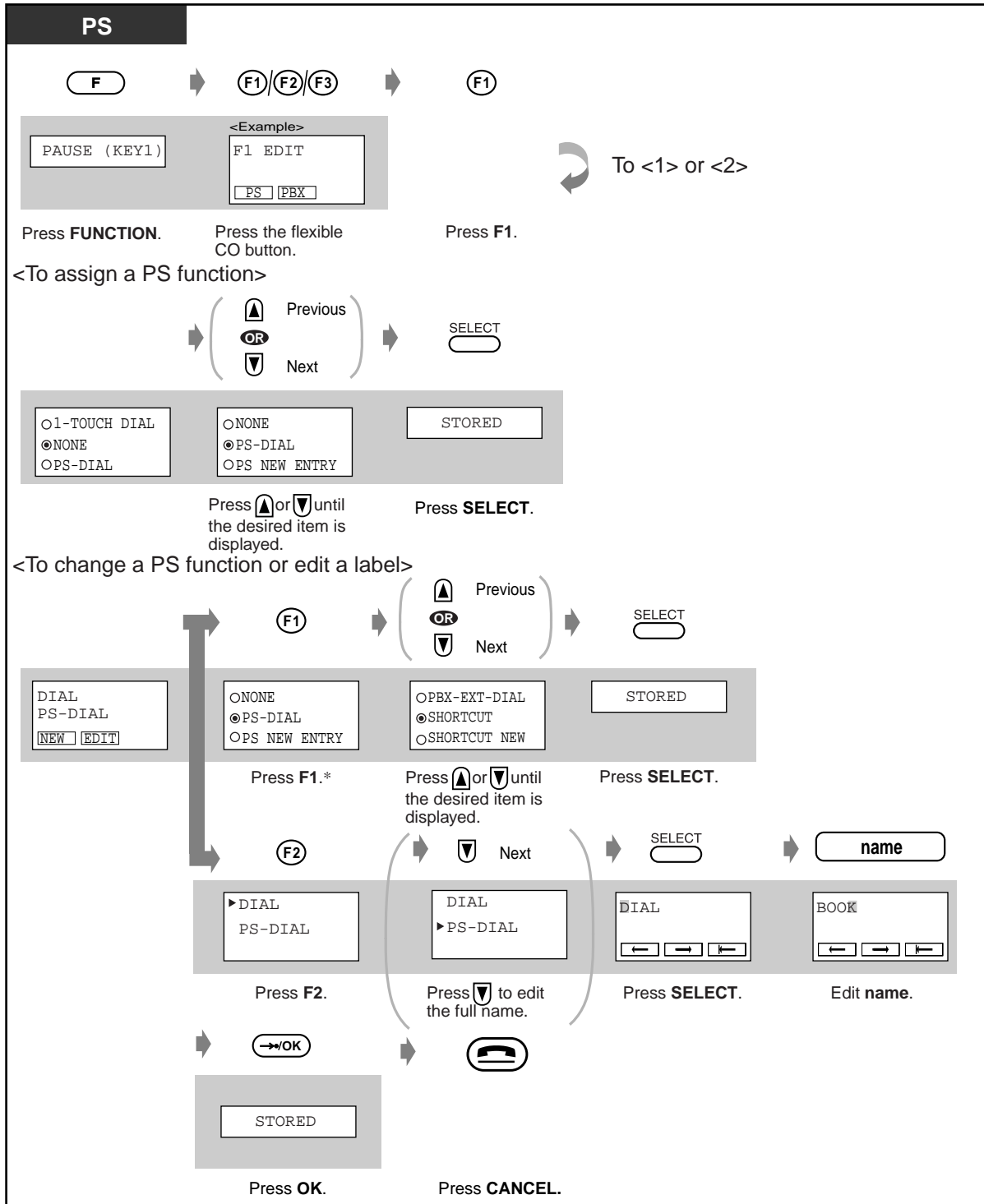


◆◆ To edit the labels of the flexible CO buttons

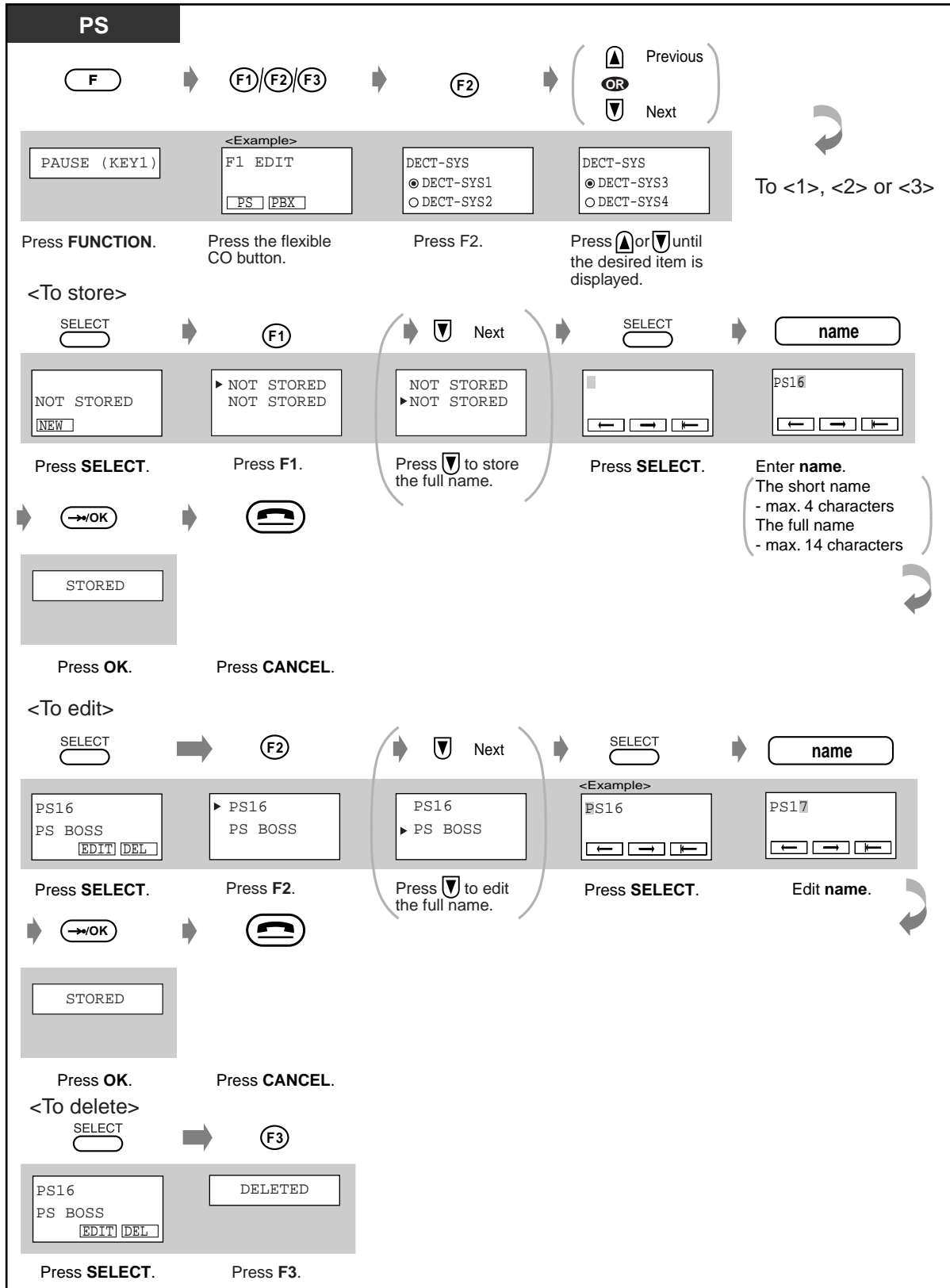
You can assign two names (short and full) to each Flexible CO button.

The short one is displayed on the bottom line on LCD. The full one is displayed for 3 seconds when you reconfirm the Flexible CO buttons by pressing **FUNCTION + 8** (FKEY LIST Display).

◆ Flexible CO buttons for PS functions



◆ Flexible CO buttons assigned by PBX

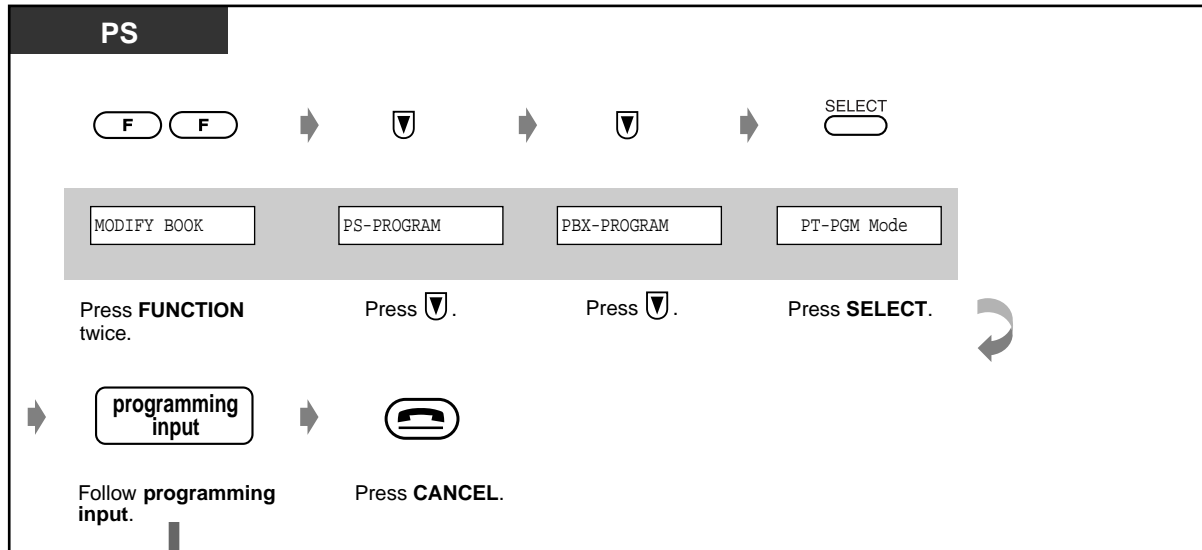




- You can edit the pre-assigned name on the flexible CO button as you like.
- If the flexible CO button has been assigned as a PBX function, it has higher priority than a PS function, even if the flexible CO button has been assigned a PS function.

4 PBX Programming

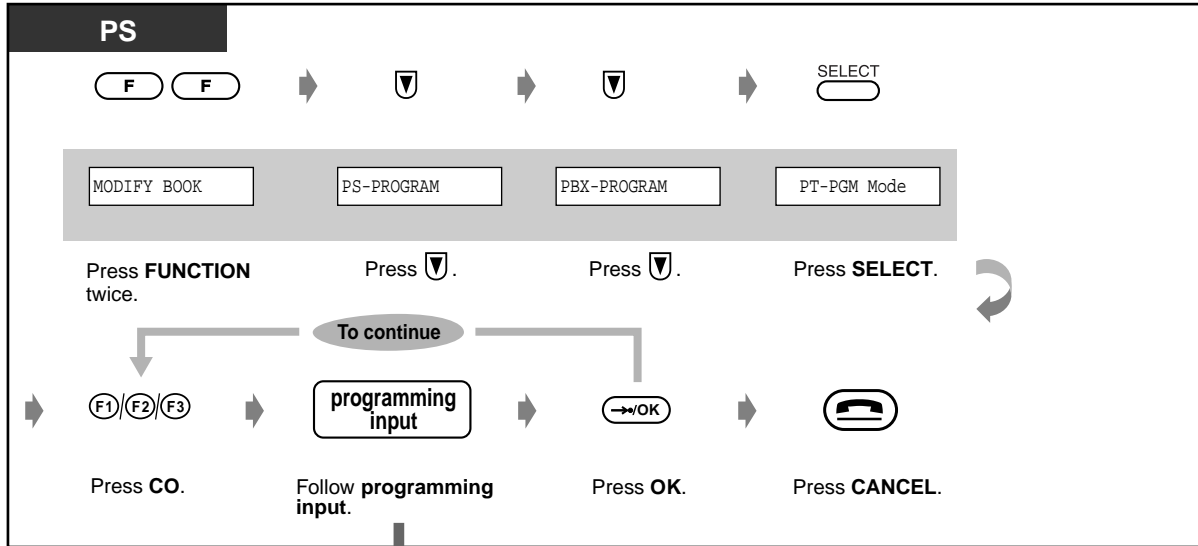
◆◆ To enter the PBX programming mode



Item	Selection	Programming Input
Which line do you prefer to seize when you go off-hook to make calls? (Preferred Line Assignment -Outgoing)	<input type="checkbox"/> No line	(1) (1) →/OK
	<input type="checkbox"/> An idle outside line	(1) (ABC 2) →/OK
	<input type="checkbox"/> A pre-assigned outside line	(1) (DEF 3) Outside line no. (01-54) →/OK
	<input checked="" type="checkbox"/> The Intercom line	(1) (INT*) →/OK
To clear the setting of the "Preferred Line Assignment -Outgoing"		(#) →/OK
To check your extension number		(MNO 6) + ((F) PQRS 7) for return to previous display)

◆◆ Customising the Buttons

You can change the flexible CO buttons to the following function buttons.

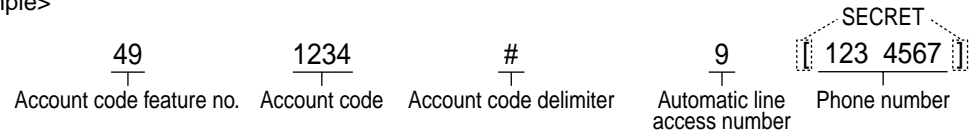


Button	Programming Input
Loop-CO	(*)
Group-CO	(#) Outside line group no. (1-8)
Single-CO	(.)-0 Outside line no. (01-54)
Direct Station Selection (DSS)	(1) Extension no.
One-Touch Dialling	(ABC) 2 Desired no.*1 (max. 24 digits)
Message	(DEF) 3
FWD/DND (Forward/Do Not Disturb)	(GHI) 4
Save	(JKL) 5
Account	(MNO) 6
Conference	(PQRS) 7
Log-In/Log-Out	(TUV) 8 (.)-0 Receiving group no.
Voice Mail Transfer *2	(TUV) 8 (ABC) 2 Voice mail extension no.
Two-Way Record*2	(TUV) 8 (DEF) 3 Voice mail extension no.
Two-Way Transfer *2	(TUV) 8 (GHI) 4 Voice mail extension no.
One-Touch Dialling with Auto Hold	(TUV) 8 (#) Desired no.*1 (max. 24 digits)
Terminate	(WXYZ) 9



- *1 "×", "#", FLASH/RCL, PAUSE, SECRET (Intercom) and "—" (Conference) can also be stored.
 - If you do not want to display the stored number, enter "[]" as SECRET by pressing the INTERCOM button before and after the numbers you wish to conceal.
 - If you store an external party's number, you should first store a line access number (9, 81 to 88).
 - If you need to enter an account code, you can enter the specified account code before the line access number.

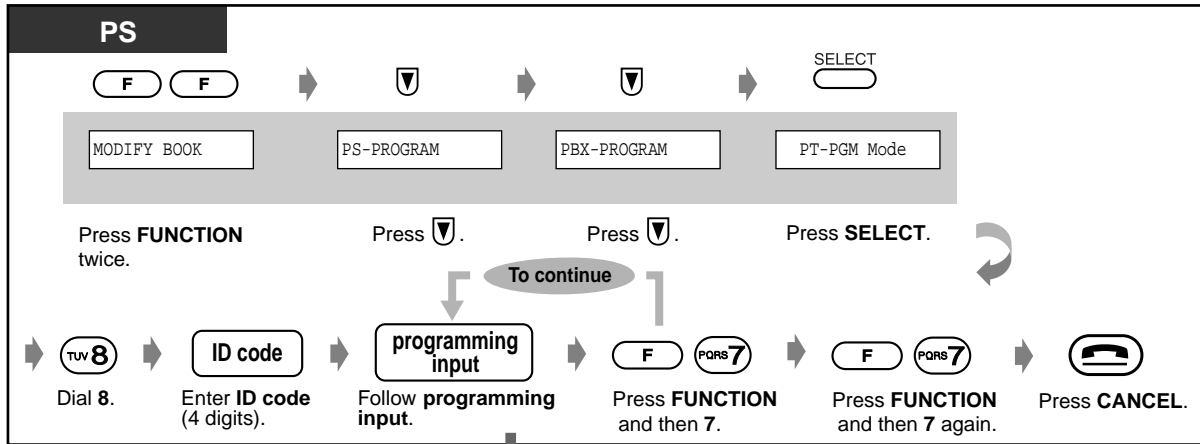
<Example>



- *2 These buttons are used for the voice mail integration feature.
- **To exit the mode at any time, press the CANCEL button.**

◆◆ Charge Fee Management

[pre-assigned extension only]



Item	Programming Input
Viewing, clearing or printing each extension charge, outside charge or account code charge.	<p> (1 Extension no.) OR ABC 2 Outside line no. (01-54)) OR DEF 3 Account table no. (001-128)) </p> <p> Viewing SELECT → F PQRS 7 Clearing SELECT → CLR → F PQRS 7 Print out SELECT → →OK → F PQRS 7 </p>
Viewing, clearing or printing total extension charge, total outside charge or total account code charge.	<p> (GHI 4 Extension no.) OR JKL 5 Outside line no.) OR MNO 6 Account table no.) </p> <p> Viewing SELECT Clearing SELECT → CLR Print out SELECT → →OK </p>
Assigning an account code.	<p> PQRS 7 Account table no. (001-128) → CLR → New account no. (10 digits) → →OK </p>



- You cannot print out the account code charge of the account table number (001) by SMDR.

Copyright:

This manual is copyrighted by Kyushu Matsushita Electric Co., Ltd. (KME).
Under the applicable copyright laws, this manual may not be reproduced in any form,
in whole or part, without the prior written consent of KME and its licensee.

© 2000 Kyushu Matsushita Electric Co., Ltd. All Rights Reserved.