

# FORSTER PRODUCTS

310 E. LANARK AVENUE, LANARK, ILLINOIS 61046

PHONE 815-493-6360

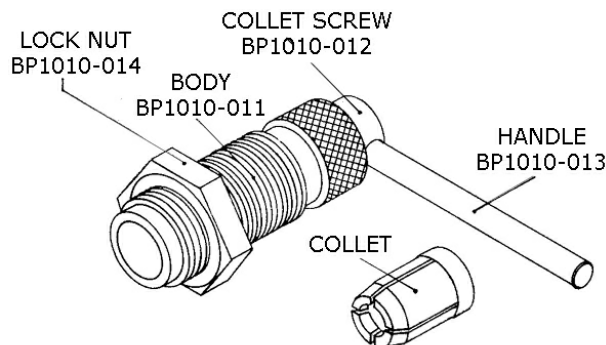
(FAX 815-493-2371)

www.forsterproducts.com

## BULLET PULLER INSTRUCTIONS

The Forster Bullet Puller has a 7/8" x 14" thread to fit any standard loading press. A carefully made, hardened steel collet makes the difference between this and the other Pullers on the market. The pull of the loading press actually tightens the collet's grip on the bullet as it is removed. This sure grip lowers the chances of damaging the bullet.

**Note — This bullet puller is not intended for use with the Co-Ax® Press. Use the Forster Superfast Bullet Puller with the Co-Ax® Press.**



### INSTRUCTIONS FOR USE

- 1) Select the proper collet for the bullet you will pull. Remove the collet screw from the body. Apply a small amount of grease to the tapered portion and base of the collet. Insert the collet into the body and replace the collet screw.
- 2) Screw the handle into the collet screw.
- 3) Place the cartridge to be disassembled in the shellholder of your press. Raise the shellholder to just below its maximum raised position. (This will prevent accidental damage to the case due to the extreme leverage present at the height of the ram's stroke). Screw the body of the Puller down through the frame of your press until the collet makes contact with the neck of the cartridge case. Tighten the lock nut.
- 4) Tighten the collet screw so the collet grasps the bullet firmly. **CAUTION — To prevent collet damage, never tighten the collet screw without having a bullet engaged in the collet.**
- 5) Pull the case away from the bullet by operating the loading press lever.
- 6) Loosen the collet screw to release the bullet.

Bullet Puller Collets are available in the following sizes:

17, 224, 243, 257, 264, 277, 284, 308, 311, 323, 333, 338, 348, 357, 358, 375, 410, 432, 452, 458.

**Thank you for purchasing a Forster Precision Product. Please wear safety glasses.  
Forster Catalogs are available upon request.**

BP1010-001

Rev. 1