

# Frankford Arsenal™

## Reloading Tools

### Impact Bullet Puller

**Caution:**  
**Always use safety glasses when using the Frankford Arsenal™ Impact Bullet Puller. Never attempt to pull bullets from rimfire ammunition or from ammunition with explosive tips.**

The Frankford Arsenal™ Impact Bullet Puller is designed to pull bullets from reloaded ammunition. It should never be used with rimfire ammunition and will not work with factory loaded ammunition where a bullet sealant has been used.

Three separate collet assemblies are provided to accommodate most centerfire calibers; see chart below for collet application.

**Instructions for Use:**  
**Always wear safety glasses while using the Impact Bullet Puller or any other tool while reloading ammunition.**

Remove the screw on cap and select the appropriate collet from the chart listings below.

Place collet over hole in top of Impact Bullet Puller and screw cap on loosely.

Insert cartridge with a rotary motion until case rim seats against the collet, or the extractor groove engages the collet.

Tighten cap firmly.

Strike the Impact Bullet Puller against a hard wood surface, while holding the Impact Bullet Puller handle parallel to the surface and the Impact Bullet Puller head perpendicular to the surface at the time of impact.

This technique will give the maximum inertia to the bullet being pulled. Two or three impacts should pull most bullets.

Never hit the Impact Bullet Puller on a steel or concrete surface. The best hard surface to use is the "end grain" of a block of wood.

Check tightness of cap after each blow.

Remove cap, push case out of collet, and recover pulled bullet and powder.



Collet #1 (1 Groove)
.17 Remington
.218 Bee
.22 Hornet
.222 Remington
.223 Remington
.25 Auto
.30 Carbine
.32 Auto
.32-20 Winchester
.380 Auto/9mm Luger/
.38 Super/.40 S&W/10mm



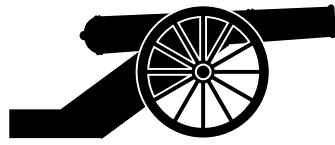
Collet #2 (2 Grooves)
.22 Jet/38 Special/
.357 Magnum/357 Maximum
.25-35 Winchester
.250 Savage
.257 Roberts
.25-06 Rem/270 Win/
.280 Rem/30-06/243 Win/
7mm-08 Rem/308 Win/
.358 Win/45 ACP & 240 Win.
.30 Remington
.30-30 Winchester
7.62x39
.32 Winchester
.35 Remington
.38-40 Win/44-40 Win/
.41 Mag/44 Spl/44 Mag.
.45 Auto Rim
.45 Long Colt



Collet #3 (No Grooves)
.264 Win./7mm Rem. Mag./300
Win. Mag./338 Win. Mag./375
H&H/458 Win. Mag/ All
Weatherby Mag Calibers Except
.378, 416 & .460
.33 Winchester
.348 Winchester
.444 Marlin
.45-70 Govt.
50-70 Govt.

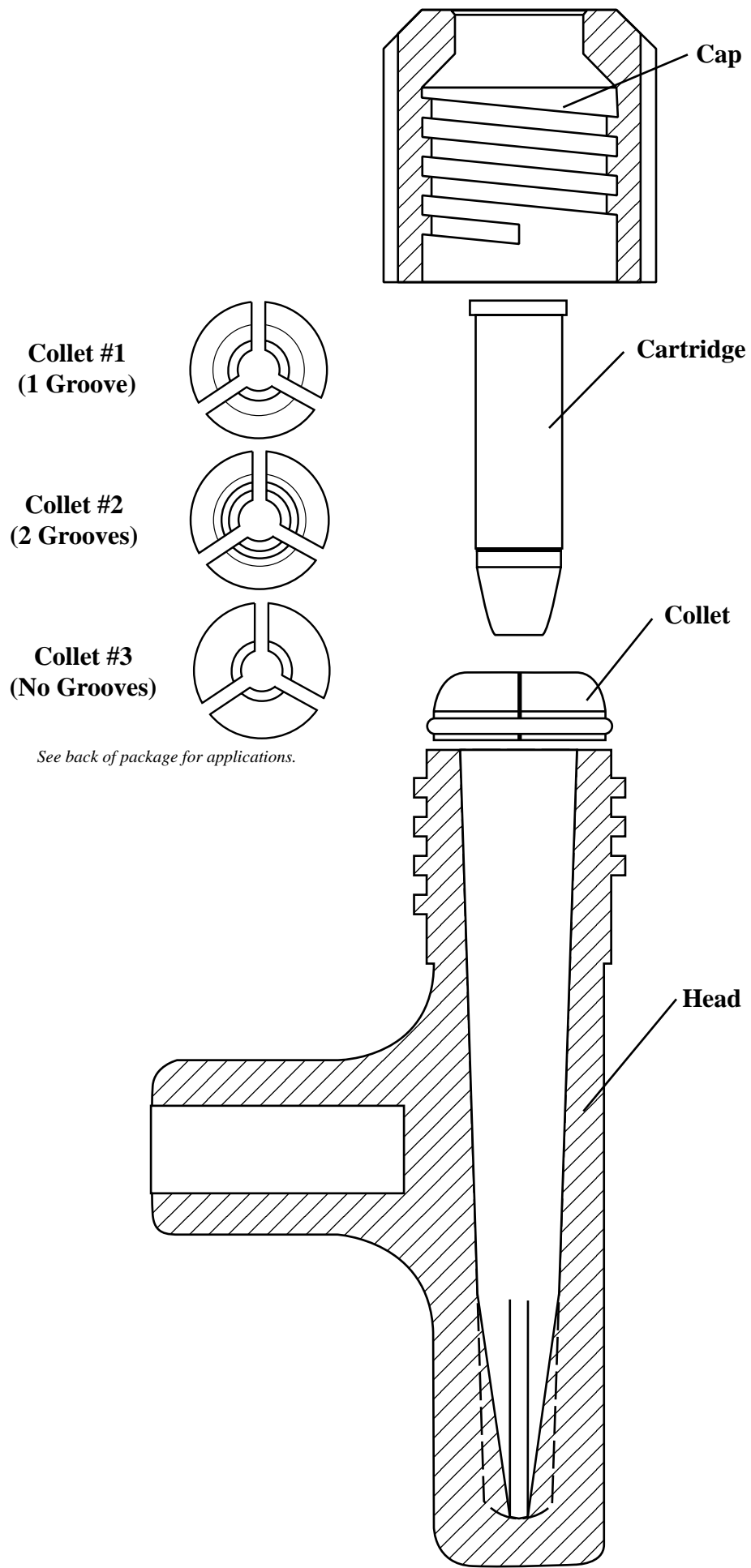
**A Battenfeld Product**  
**5885 W. Van Horn Tavern Rd.**  
**Columbia, MO 65203**  
[www.frankfordarsenal.com](http://www.frankfordarsenal.com)





# Frankford<sup>TM</sup> Arsenal Reloading Tools

## Impact Bullet Puller



Typical Cartridge Case/Collet Assembly