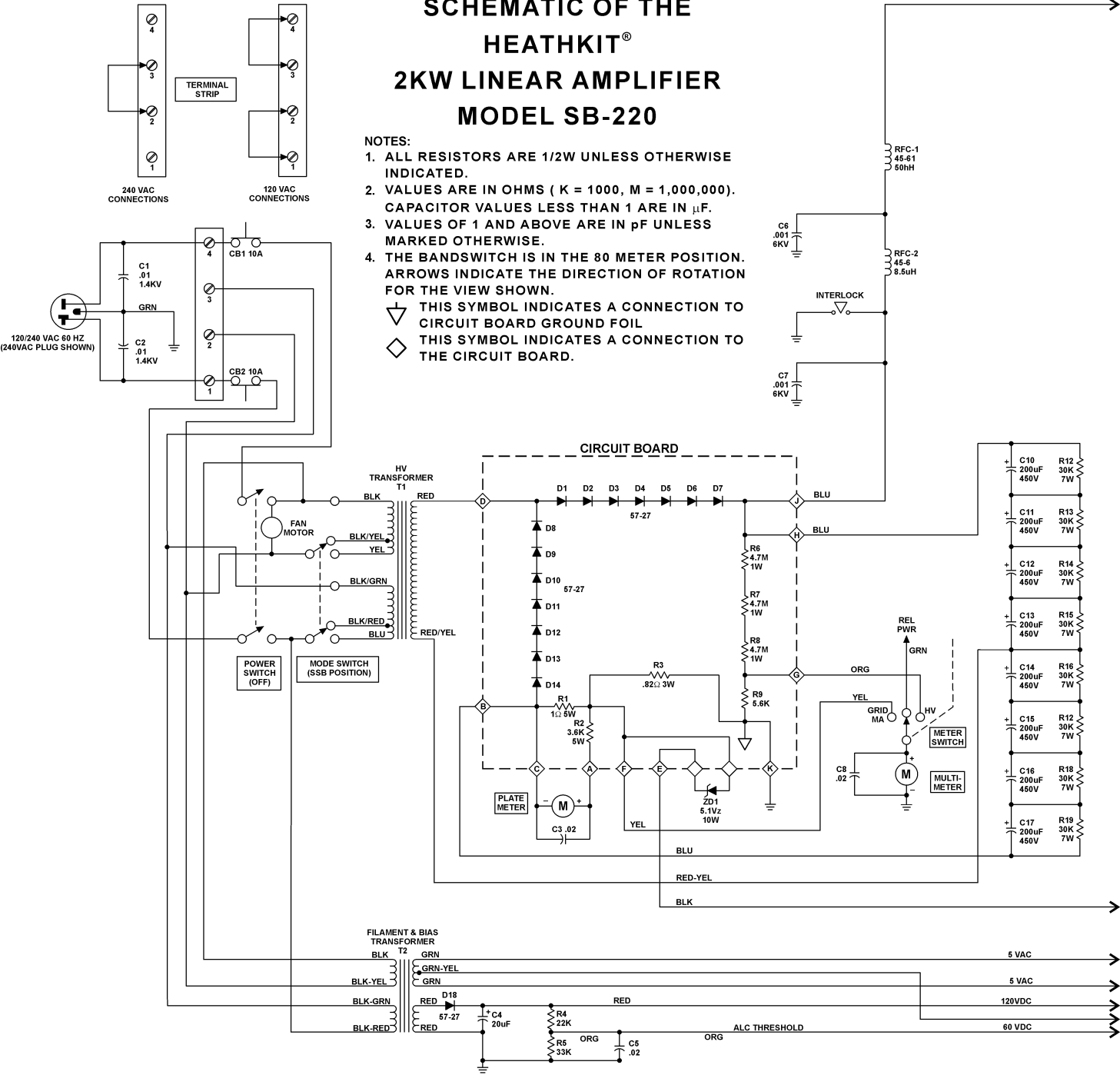


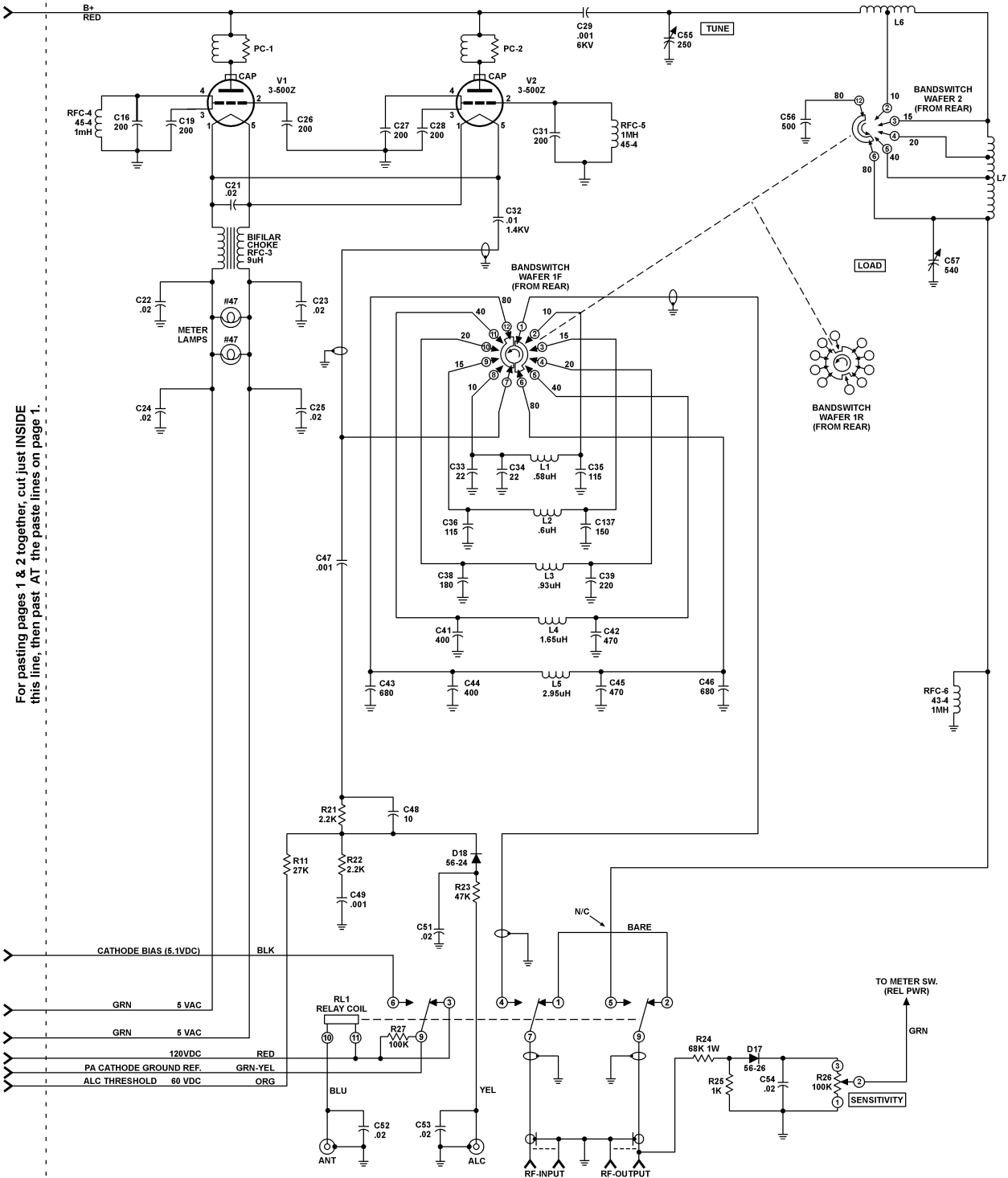
# SCHEMATIC OF THE HEATHKIT® 2KW LINEAR AMPLIFIER MODEL SB-220

**NOTES:**

1. ALL RESISTORS ARE 1/2W UNLESS OTHERWISE INDICATED.
  2. VALUES ARE IN OHMS ( K = 1000, M = 1,000,000). CAPACITOR VALUES LESS THAN 1 ARE IN  $\mu$ F.
  3. VALUES OF 1 AND ABOVE ARE IN pF UNLESS MARKED OTHERWISE.
  4. THE BANDSWITCH IS IN THE 80 METER POSITION. ARROWS INDICATE THE DIRECTION OF ROTATION FOR THE VIEW SHOWN.
- THIS SYMBOL INDICATES A CONNECTION TO CIRCUIT BOARD GROUND FOIL  
 THIS SYMBOL INDICATES A CONNECTION TO THE CIRCUIT BOARD.



# SCHEMATIC OF THE HEATHKIT® 2KW LINEAR AMPLIFIER MODEL SB-220 (PAGE 2 OF 2)



For pasting pages 1 & 2 together, cut just INSIDE this line, then past AT the paste lines on page 1.