



INC.

273 Branchport Avenue  
Long Branch, N.J. 07740  
(800) 631-2148  
www.wheelockinc.com

*Thank you for using our products.*

**INSTALLATION INSTRUCTIONS  
SUPERVISED SELF-AMPLIFIED STROBE SPEAKERS**

*Use this product according to this instruction manual. Please keep this instruction manual for future reference.*

**MODEL NUMBERS:**

SA-70S-LS-24	1 Watt Supervised Self-Amplified Strobe Speakers Square Flush Grille with 15cd Strobe
SA-70S-LSM-24	1 Watt Supervised Self-Amplified Strobe Speakers Square Flush Grille with 15cd Strobe*
SA-70S-MS-24	1 Watt Supervised Self-Amplified Strobe Speakers Square Flush Grille with 30cd Strobe
SA-70S-IS-24	1 Watt Supervised Self-Amplified Strobe Speakers Square Flush Grille with 75cd Strobe
SA-70S-SL-24	1 Watt Supervised Self-Amplified Strobe Speakers Square Flush Grille with 15cd Synchronized Strobe*
SA-70S-SLM-24	1 Watt Supervised Self-Amplified Strobe Speakers Square Flush Grille with 15cd Synchronized Strobe
SA-90S-LS-24	1 Watt Supervised Self-Amplified Strobe Speakers Round Flush Grille with 15cd Strobe
SA-90S-MS-24	1 Watt Supervised Self-Amplified Strobe Speakers Round Flush Grille with 30cd Strobe
SA-90S-IS-24	1 Watt Supervised Self-Amplified Strobe Speakers Round Flush Grille with 75cd Strobe
SA-90S-SL-24	1 Watt Supervised Self-Amplified Strobe Speakers Round Flush Grille with 15cd Synchronized Strobe

SA-70 models are available with a red or white grille, SA-90 models are available with a white grille only.


**GENERAL:**


The Supervised Self-Amplified Strobe Speakers are UL Listed under Standard 1480, Speakers for Fire Protective Signaling Systems, UL Standard 1711, Amplifiers for Fire Protective Signaling Systems, and UL Standard 1971, (Emergency Devices for the Hearing Impaired) for Indoor Fire Protection Service. They are Listed for ***indoor use only***. The LSM and SLM strobes are listed at 15 candela under UL Standard 1971 and meet 75 candela intensity on axis with low current draw. The SA Self-Amplified Strobe Speakers are a combination of a speaker, a 1 watt amplifier and a strobe. The output level is switch selectable for 3 different sound levels. The SA strobe speaker units are designed to be used with Wheelock's SAFEPATH Voice Alarm Panel. SA models using LS/MS/IS/SL are listed for ceiling or wall mount; LSM/SLM models are listed for wall mount only. All SA Strobe Speakers are designed to fit into a 4" square deep backbox with an extension ring (See Mounting Options).


The SA Strobe Speakers, using the SL and SLM Series Sync Strobes, are designed to work with Wheelock's Sync Modules; Sync Control Module (SCM), Sync Module (SM) and the Dual Sync Module (DSM) to provide synchronized flashes when the sync strobes are activated. Flash rate for the sync strobes with the Sync Modules is a steady one flash per second across a voltage range of 20-30VDC.

All Supervised Self-Amplified Strobe Speakers use a Xenon flashtube with solid state circuitry enclosed in a rugged Lexan® lens to provide maximum visibility and reliability. All inputs are polarized for compatibility with standard reverse polarity supervision of circuit wiring by a Fire Alarm Control Panel (FACP).

All models are UL Listed for indoor use with a temperature range of +32°F to +120°F (0°C to +49°C) and maximum humidity of 85% RH.

**NOTE:** All CAUTIONS and WARNINGS are identified by the symbol . All warnings are printed in bold capital letters.

** WARNING: PLEASE READ THESE INSTRUCTIONS CAREFULLY BEFORE USING THIS PRODUCT. THE SUPERVISED SELF-AMPLIFIED STROBE SPEAKERS MUST BE FIELD SET TO THE DESIRED SOUND OUTPUT LEVEL BEFORE THEY ARE INSTALLED. THIS IS DONE BY PROPERLY ADJUSTING A FOUR POSITION SWITCH IN ACCORDANCE WITH THESE INSTRUCTIONS. INCORRECT SETTINGS WILL RESULT IN IMPROPER PERFORMANCE AND MAY DAMAGE THE PRODUCT, WHICH COULD RESULT IN PROPERTY DAMAGE AND SERIOUS INJURY OR DEATH TO YOU AND/OR OTHERS.**

** WARNING: THESE APPLIANCES WERE TESTED TO THE OPERATING VOLTAGE LIMITS OF 20-31 VOLTS USING FILTERED (DC) OR UNFILTERED FULL-WAVE RECTIFIED (FWR). DO NOT APPLY 80% AND 110% OF THESE VOLTAGE VALUES FOR SYSTEM OPERATION.**

Copyright 1995, 1996, 2000 Wheelock, Inc. All rights reserved.

**SPECIFICATIONS:**

Sound Level	Input Current mA	Typical Anechoic dBA at 10 Feet Nominal Voltage	Rated Reverberant dBA at 10 Feet Per UL 1480
1	100	91	81
2	83	88	78
3	67	85	75

Power Input Voltage: 20-31VDC  
 Appliance Input Level: 500mV RMS  
 Appliance Input Impedance: 600 Ohms

Sound pressure level and current measurements were made with 500mV sinewave appliance.

Anechoic dBA is measured on axis in a non-reflective (free field) test room using fast meter response. Reverberant dBA is a minimum UL rating based on sound measurements in a reverberant test room.

Model Number	Input Voltage	Strobe Candela	Rated Average Current	Rated Peak Current	Rated Inrush Current
SA-70S-LS-24	24	15	0.080	0.160	0.210
SA-70S-LSM-24	24	15*	0.115	0.250	0.225
SA-70S-MS-24	24	30	0.135	0.288	0.280
SA-70S-IS-24	24	75	0.240	0.500	0.650
SA-70S-SL-24	24	15	0.096	0.228	0.300
SA-70S-SLM-24	24	15*	0.138	0.320	0.300
SA-90S-LS-24	24	15	0.080	0.160	0.210
SA-90S-MS-24	24	30	0.135	0.288	0.280
SA-90S-IS-24	24	75	0.240	0.500	0.650
SA-90S-SL-24	24	15	0.096	0.228	0.300

(Current is in AMPS)

\*15cd models are Listed at 15cd and meet 75cd on axis.

**NOTE: THE MAXIMUM WIRE IMPEDANCE BETWEEN STROBES SHALL NOT EXCEED 35 OHMS. THE MAXIMUM NUMBER OF STROBES ON A SINGLE NOTIFICATION APPLIANCE CIRCUIT SHALL NOT EXCEED 31.**

**⚠ WARNING: MAKE SURE THAT THE TOTAL CURRENT REQUIRED BY ALL APPLIANCES THAT ARE CONNECTED TO THE SYSTEM'S PRIMARY AND SECONDARY POWER SOURCES AND SIGNALING CIRCUITS, SM AND DSM SYNC MODULES DOES NOT EXCEED THEIR RATED CURRENT. OVERLOADING THESE SOURCES COULD RESULT IN LOSS OF POWER AND FAILURE TO ALERT OCCUPANTS DURING AN EMERGENCY, WHICH COULD RESULT IN PROPERTY DAMAGE AND SERIOUS INJURY OR DEATH TO YOU AND/OR OTHERS.**

When calculating the total current: use Table 2 to determine the highest value of "Rated Average Current" for an individual strobe (across the expected operating voltage range of the strobe); then multiply this value by the total number of strobes; be sure to add the current for any other appliances, including audible signaling appliances, powered by the same source and include any required safety factors. Use Table 1 to calculate the total audible appliance current in the same manner.

**⚠ WARNING: MAKE SURE THAT ALL FUSES USED ON SIGNALING CIRCUITS ARE RATED TO HANDLE THE MAXIMUM INRUSH OR PEAK CURRENT FROM ALL APPLIANCES ON THOSE CIRCUITS. FAILURE TO DO THIS MAY RESULT IN LOSS OF POWER TO THE SIGNALING CIRCUIT AND THE FAILURE OF ALL APPLIANCES ON THAT CIRCUIT TO OPERATE, WHICH COULD RESULT IN PROPERTY DAMAGE AND SERIOUS INJURY OR DEATH TO YOU AND/OR OTHERS.**

When calculating the maximum inrush or peak current: use Table 2 to determine the highest value of "Rated Inrush Current" or "Rated Peak Current" (whichever is higher) for an individual strobe (across the expected operating voltage range of the strobe); then multiply that value by the total number of strobes on the circuit; be sure to add the inrush or peak currents from any other appliances on that circuit and include any required safety factors. The time duration of the maximum strobe inrush or peak current is 2 milliseconds for LS/LSM/MS/SL/SLM models and 4 milliseconds for IS models. Calculate the maximum inrush current for all audible appliances in the same manner. The audible appliances produce a brief inrush current that lasts for just 2 microseconds but can reach a peak value of 8.0 Amps.

**⚠ CAUTION: Strobes are not designed to be used on coded systems in which the applied voltage is cycled on and off.**

**LIGHT DISTRIBUTION:**

**Table 3: Horizontal Plane**

Horizontal Angle (in deg.)	15cd		1575cd *	30cd		75cd	
	UL Min.	Typ. LS/SL	Typ. LSM/SLM	UL Min.	Typ. MS	UL Min.	Typ. IS
0	15.0	21	100	30.0	42	75.0	90
5	13.5	20	75	27.0	40	67.5	92
10	13.5	20	38	27.0	40	67.5	89
15	13.5	20	28	27.0	40	67.5	86
20	13.5	20	22	27.0	40	67.5	86
25	13.5	20	19	27.0	40	67.5	83
30	11.3	19	19	22.5	38	56.3	77
35	11.3	17	17	22.5	34	56.3	70
40	11.3	17	17	22.5	34	56.3	65
45	11.3	15	16	22.5	30	56.3	62
50	8.3	10	15	16.5	20	41.3	42
55	6.8	8	15	13.5	16	33.8	35
60	6.0	8	15	12.0	16	30.0	33
65	5.3	8	15	10.5	16	26.3	31
70	5.3	8	15	10.5	16	26.3	31
75	4.5	8	15	9.0	16	22.5	31
80	4.5	7	15	9.0	14	22.5	30
85	3.8	7	15	7.5	14	18.8	27
90	3.8	6	14	7.5	13	18.8	26

**Table 4: Vertical Plane**

Vertical Angle (in deg.)	15cd		1575cd *	30cd		75cd	
	UL Min.**	Typ. LS/SL	Typ. LSM/SLM	UL Min.**	Typ. MS	UL Min.**	Typ. IS
0	15.0	21	100	30.0	42	75.0	90
5	13.5	21	100	27.0	42	67.5	88
10	13.5	21	100	27.0	42	67.5	87
15	13.5	20	100	27.0	40	67.5	83
20	13.5	19	100	27.0	38	67.5	79
25	13.5	19	98	27.0	38	67.5	74
30	13.5/11.3	18	96	27.0/22.5	36	67.5/56.3	70
35	9.8/11.3	18	94	19.5/22.5	36	48.8/56.3	68
40	6.9/11.3	16	92	13.8/22.5	32	34.3/56.3	66
45	5.1/11.3	14	90	10.2/22.5	28	25.5/56.3	63
50	4.0/8.3	12	84	8.1/16.5	24	20.0/41.3	59
55	3.3/6.8	12	77	6.6/13.5	24	16.3/33.8	54
60	2.7/6.0	9	70	5.4/12.0	18	13.5/30.0	52
65	2.4/5.3	8	63	4.8/10.5	16	12.0/26.3	40
70	2.3/5.3	8	56	4.5/10.5	16	11.3/26.3	31
75	2.0/4.5	8	50	4.0/9.0	16	10.0/22.5	29
80	1.8/4.5	8	30	3.6/9.0	16	9.0/22.5	29
85	1.8/3.8	8	20	3.6/7.5	16	9.0/18.8	28
90	1.8/3.8	8	8	3.6/7.5	16	9.0/18.8	24

\* 15cd models are Listed at 15cd and meet 75cd on axis.

\*\* Wall/Ceiling

Models	Volts	20	22	24	26	28	31
LS	DC	1.0	1.1	1.3	1.4	1.5	1.7
LSM	DC	1.0	1.2	1.3	1.4	1.5	1.6
MS	DC	1.0	1.1	1.2	1.4	1.5	1.6
IS	DC	1.1	1.2	1.3	1.3	1.4	1.5
SL	DC	1.0	1.0	1.0	1.0	1.0	1.0
SLM	DC	1.0	1.0	1.0	1.0	1.0	1.0

NOTE: ADA guidelines presently specify a flash rate of 1 to 3 flashes per second.

**SETTINGS:**

The switch on the PCB (SW1) is used to select the voltage tap, see Figure 1.

*Figure 1.*



*Figure 2.*



Sound Level	Switch Settings (SW1)	
	POS 1	POS 2
1	On	*
2	Off	On
3	Off	Off

\* Either On or Off

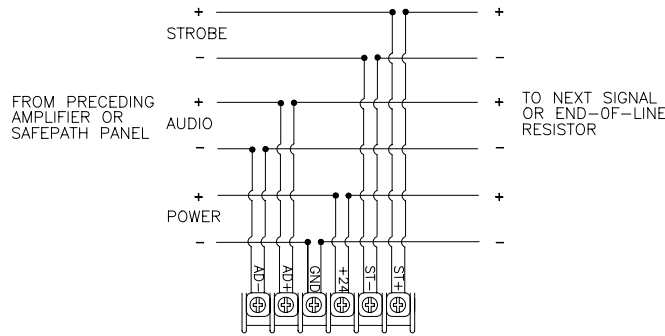
To select a tap use a screwdriver to change the position of the slide switch, see Figure 2. Set the switch to the position desired as shown in Table 5.

NOTE: Switch positions 3 and 4 do not affect the sound level settings of this product.

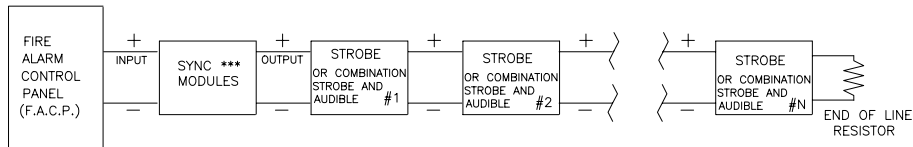
**⚠ WARNING: DOUBLE CHECK SWITCH (SW1) SETTINGS TO MAKE SURE THEY ARE CORRECT. IMPROPER SETTINGS CAN DAMAGE THE UNIT OR RESULT IN NO SOUND OUTPUT OR A dBA SOUND OUTPUT LEVEL THAT IS BELOW CODE REQUIREMENTS FOR PUBLIC MODE FIRE PROTECTION, WHICH COULD RESULT IN PROPERTY DAMAGE AND SERIOUS INJURY OR DEATH TO YOU AND/OR OTHERS.**

**WIRING DIAGRAMS:**

**Figure 3.**



**Figure 4: Sync Modules/Sync Strobes Connection Diagram**



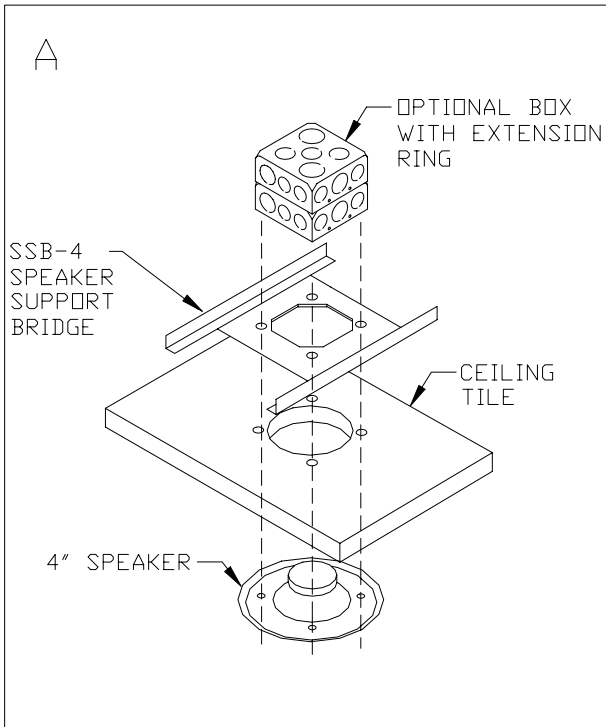
\*\*\* Refer to Sync Module instruction sheets SM (P83123), DSM (P83177) for additional information.

**MOUNTING OPTIONS:**

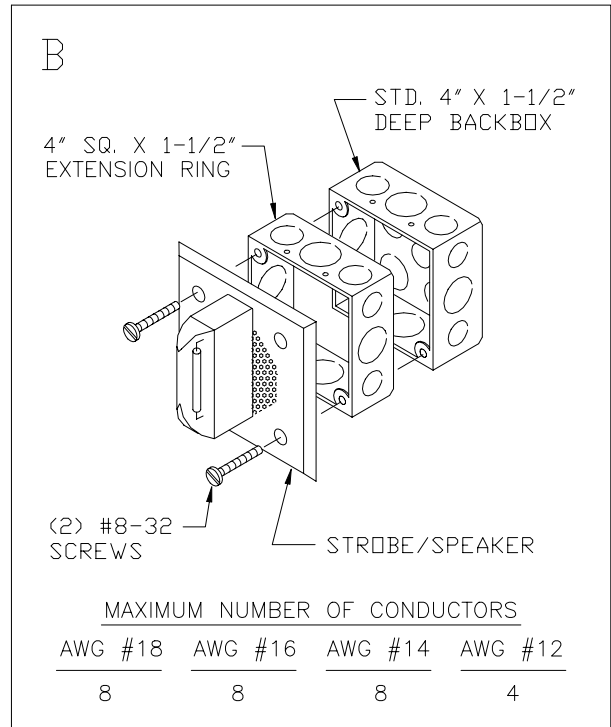
**CAUTION:** The following figures show the maximum number of field wires (conductors) that can enter the backbox used with each mounting option. If these limits are exceeded, there may be insufficient space in the backbox to accommodate the field wires and stresses from the wires could damage the product.

Although the limits shown for each mounting option comply with the National Electrical Code (NEC), Wheelock recommends use of the largest backbox option shown and the use of approved stranded field wires, whenever possible, to provide additional wiring room for easy installation and minimum stress on the product from wiring.

**SA-90S**



**SA-70S**



**⚠ CAUTION:** If supervised self-amplified strobe speakers appliances are operated within 15 inches of a person's ear, they can produce a sound pressure level that exceeds the maximum 120 dBa permitted by ADA and OSHA rules. Exposure to such sound levels can result in damage to a person's hearing.

**⚠ WARNING:** WHEN INSTALLING STROBES IN AN OPEN OFFICE OR OTHER AREAS CONTAINING PARTITIONS OR OTHER VIEWING OBSTRUCTIONS, SPECIAL ATTENTION SHOULD BE GIVEN TO THE LOCATION OF THE STROBES SO THAT THEIR OPERATING EFFECT CAN BE SEEN BY ALL INTENDED VIEWERS, WITH THE INTENSITY, NUMBER, AND TYPE OF STROBES BEING SUFFICIENT TO MAKE SURE THAT THE INTENDED VIEWER IS ALERTED BY PROPER ILLUMINATION, REGARDLESS OF THE VIEWER'S ORIENTATION. FAILURE TO DO SO COULD RESULT IN PROPERTY DAMAGE AND SERIOUS INJURY OR DEATH TO YOU AND/OR OTHERS.

**⚠ WARNING:** IF SYNCHRONIZED STROBES ARE NOT USED THEN A SMALL POSSIBILITY EXISTS THAT THE USE OF MULTIPLE STROBES WITHIN A PERSON'S FIELD OF VIEW, UNDER CERTAIN CIRCUMSTANCES, MIGHT INDUCE A PHOTO-SENSITIVE RESPONSE IN PERSONS WITH EPILEPSY. STROBE REFLECTIONS IN A GLASS OR MIRRORED SURFACE MIGHT ALSO INDUCE SUCH A RESPONSE. TO MINIMIZE THIS POSSIBLE HAZARD, WHEELOCK STRONGLY RECOMMENDS THAT THE STROBES INSTALLED SHOULD NOT PRESENT A COMPOSITE FLASH RATE IN THE FIELD OF VIEW WHICH EXCEEDS FIVE (5) Hz AT THE OPERATING VOLTAGE OF THE STROBES (SEE TABLE 4). WHEELOCK ALSO STRONGLY RECOMMENDS THAT THE INTENSITY AND COMPOSITE FLASH RATE OF INSTALLED STROBES COMPLY WITH LEVELS ESTABLISHED BY APPLICABLE LAWS, STANDARDS, REGULATIONS, CODES AND GUIDELINES.

**NOTE:** NFPA 72/ANSI 117.1 provide means for determining equivalent illumination using fewer, higher intensity strobes within the same protected area.

**⚠ CAUTION:** Check the installation instructions of the manufacturers of other equipment used in the system for any guidelines or restrictions on wiring and/or locating Notification Appliance Circuits (NAC) and notification appliances. Some system communication circuits and/or audio circuits, for example, may require special precautions to assure electrical noise immunity (e.g. audio crosstalk).

If this appliance is required to produce a distinctive three-pulse Temporal Pattern Fire Alarm Evacuation Signal (for total evacuation) in accordance with NFPA 72, 1999 Edition, the appliance must be used with a Fire Alarm Control unit that can generate the temporal pattern signal. Refer to manufacturer's installation manual for details.

**ANY MATERIAL EXTRAPOLATED FROM THIS DOCUMENT OR FROM WHEELOCK MANUALS OR OTHER DOCUMENTS DESCRIBING THE PRODUCT FOR USE IN PROMOTIONAL OR ADVERTISING CLAIMS, OR FOR ANY OTHER USE, INCLUDING DESCRIPTION OF THE PRODUCT'S APPLICATION, OPERATION, INSTALLATION AND TESTING IS USED AT THE SOLE RISK OF THE USER AND WHEELOCK WILL NOT HAVE ANY LIABILITY FOR SUCH USE.**

**IMPORTANT: READ SEPARATE "GENERAL INFORMATION" SHEET FOR INFORMATION ON THE PLACEMENT, LIMITATIONS, INSTALLATION, FINAL CHECKOUT, AND PERIODIC TESTING OF NOTIFICATION APPLIANCES.**

**NOTE:** This equipment has been tested and found to comply with the limits for a Class B digital device, pursuant to Part 15 of the FCC Rules. These limits are designed to provide reasonable protection against harmful interference in residential installation. This equipment generates, uses and can radiate radio frequency energy and, if not installed and used in accordance with the instructions, may cause harmful interference to radio communications. However, there is no guarantee that interference will not occur in a particular installation. If this equipment does cause harmful interference to radio or television reception, which can be determined by turning the equipment off and on, the user is encouraged to try to correct the interference by one or more of the following measures: 1) Reorient or relocate the receiving antenna, 2) Increase the separation between the equipment and receiver, 3) Connect the equipment into an outlet on a circuit different from that to which the receiver is connected, and 4) Consult the dealer or an experienced radio/TV technician for help.

## **Limited Warranty**

Wheelock products must be used within their published specifications and must be PROPERLY specified, applied, installed, operated, maintained and operationally tested in accordance with these instructions at the time of installation and at least twice a year or more often and in accordance with local, state and federal codes, regulations and laws. Specification, application, installation, operation, maintenance and testing must be performed by qualified personnel for proper operation in accordance with all of the latest National Fire Protection Association (NFPA), Underwriters' Laboratories (UL), Underwriters' Laboratories of Canada (ULC), National Electrical Code (NEC), Occupational Safety and Health Administration (OSHA), local, state, county, province, district, federal and other applicable building and fire standards, guidelines, regulations, laws and codes including, but not limited to, all appendices and amendments and the requirements of the local authority having jurisdiction (AHJ). Wheelock products when properly specified, applied, installed, operated, maintained and operationally tested as provided above are warranted against mechanical and electrical defects for a period of three years from date of manufacture (as determined by date code). Correction of defects by repair or replacement shall be at Wheelock's sole discretion and shall constitute fulfillment of all obligations under this warranty. THE FOREGOING LIMITED WARRANTY SHALL IMMEDIATELY TERMINATE IN THE EVENT ANY PART NOT FURNISHED BY WHEELOCK IS INSTALLED IN THE PRODUCT. THE FOREGOING LIMITED WARRANTY SPECIFICALLY EXCLUDES ANY SOFTWARE REQUIRED FOR THE OPERATION OF OR INCLUDED IN A PRODUCT. WHEELOCK MAKES NO REPRESENTATION OR WARRANTY OF ANY OTHER KIND, EXPRESS, IMPLIED OR STATUTORY WHETHER AS TO MERCHANTABILITY, FITNESS FOR A PARTICULAR PURPOSE OR ANY OTHER MATTER.

USERS ARE SOLELY RESPONSIBLE FOR DETERMINING WHETHER A PRODUCT IS SUITABLE FOR THE USER'S PURPOSES, OR WHETHER IT WILL ACHIEVE THE USER'S INTENDED RESULTS. THERE IS NO WARRANTY AGAINST DAMAGE RESULTING FROM MISAPPLICATION, IMPROPER SPECIFICATION, ABUSE, ACCIDENT OR OTHER OPERATING CONDITIONS BEYOND WHEELOCK'S CONTROL.

SOME WHEELOCK PRODUCTS CONTAIN SOFTWARE. WITH RESPECT TO THOSE PRODUCTS, WHEELOCK DOES NOT WARRANTY THAT THE OPERATION OF THE SOFTWARE WILL BE UNINTERRUPTED OR ERROR-FREE OR THAT THE SOFTWARE WILL MEET ANY OTHER STANDARD OF PERFORMANCE, OR THAT THE FUNCTIONS OR PERFORMANCE OF THE SOFTWARE WILL MEET THE USER'S REQUIREMENTS. WHEELOCK SHALL NOT BE LIABLE FOR ANY DELAYS, BREAKDOWNS, INTERRUPTIONS, LOSS, DESTRUCTION, ALTERATION, OR OTHER PROBLEMS IN THE USE OF A PRODUCT ARISING OUT OF OR CAUSED BY THE SOFTWARE.

THE LIABILITY OF WHEELOCK ARISING OUT OF THE SUPPLYING OF A PRODUCT, OR ITS USE, WHETHER ON WARRANTIES, NEGLIGENCE, OR OTHERWISE, SHALL NOT IN ANY CASE EXCEED THE COST OF CORRECTING DEFECTS AS STATED IN THE LIMITED WARRANTY AND UPON EXPIRATION OF THE WARRANTY PERIOD ALL SUCH LIABILITY SHALL TERMINATE. WHEELOCK IS NOT LIABLE FOR LABOR COSTS INCURRED IN REMOVAL, REINSTALLATION OR REPAIR OF THE PRODUCT BY ANYONE OTHER THAN WHEELOCK OR FOR DAMAGE OF ANY TYPE WHATSOEVER, INCLUDING BUT NOT LIMITED TO, LOSS OF PROFIT OR INCIDENTAL OR CONSEQUENTIAL DAMAGES. THE FOREGOING SHALL CONSTITUTE THE SOLE REMEDY OF THE PURCHASER AND THE EXCLUSIVE LIABILITY OF WHEELOCK.

IN NO CASE WILL WHEELOCK'S LIABILITY EXCEED THE PURCHASE PRICE PAID FOR A PRODUCT.

## **Limitation of Liability**

WHEELOCK'S LIABILITY ON ANY CLAIM OF ANY KIND, INCLUDING NEGLIGENCE AND BREACH OF WARRANTY, FOR ANY LOSS OR DAMAGE RESULTING FROM, ARISING OUT OF, OR CONNECTED WITH THIS CONTRACT, OR FROM THE MANUFACTURE, SALE, DELIVERY, RESALE, REPAIR OR USE OF ANY PRODUCT COVERED BY THIS ORDER SHALL BE LIMITED TO THE PRICE APPLICABLE TO THE PRODUCT OR PART THEREOF WHICH GIVES RISE TO THE CLAIM. WHEELOCK'S LIABILITY ON ANY CLAIM OF ANY KIND SHALL CEASE IMMEDIATELY UPON THE INSTALLATION IN THE PRODUCT OF ANY PART NOT FURNISHED BY WHEELOCK. IN NO EVENT SHALL WHEELOCK BE LIABLE FOR ANY CLAIM OF ANY KIND UNLESS IT IS PROVEN THAT OUR PRODUCT WAS A DIRECT CAUSE OF SUCH CLAIM. FURTHER, IN NO EVENT, INCLUDING IN THE CASE OF A CLAIM OF NEGLIGENCE, SHALL WHEELOCK BE LIABLE FOR INCIDENTAL OR CONSEQUENTIAL DAMAGES. SOME STATES DO NOT ALLOW THE EXCLUSION OR LIMITATION OF INCIDENTAL OR CONSEQUENTIAL DAMAGES, SO THE PRECEDING LIMITATION MAY NOT APPLY TO ALL PURCHASERS.