

BOGEN[®]

COMMUNICATIONS, INC.

CALL/EMERGENCY SWITCHES

MODELS CA-15A & CA-16A

The Bogen Models CA-15A and CA-16A are momentary, rocker-type room switches designed for use with Bogen's ACD2A System. When pushed and released once, these switches signal an administrator in order to establish communications through a two-way speaker. When pushed and released four times, an emergency signal is sent to all digital displays in the system and emergency priority is given to the calling room.

The Model CA-16A has the added feature of a privacy switch position, which prevents monitoring of the room by the console or by administrative stations. The privacy switch must be released for communications.

Models CA-15A and CA-16A are designed for flush mounting in a standard single-gang outlet box. Figures 1 and 2 illustrate proper connections. All wires used to connect the switch must be insulated. The shield must not be grounded to the building ground at the outlet box or at the speaker. (See system manual.)

CAUTION

Observe color code: red for annunciator line, black for system ground, white (on CA-16A only) for privacy ground.

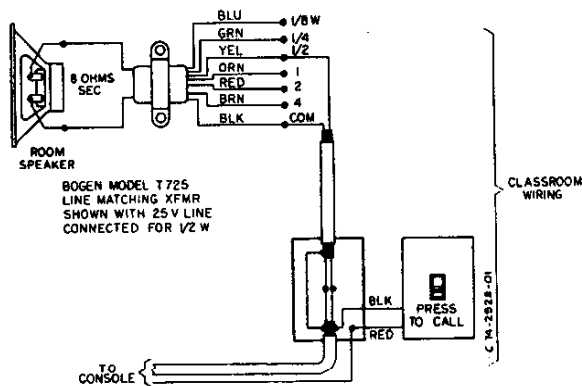


Figure 1 - Model CA-15A, Connecting Diagram

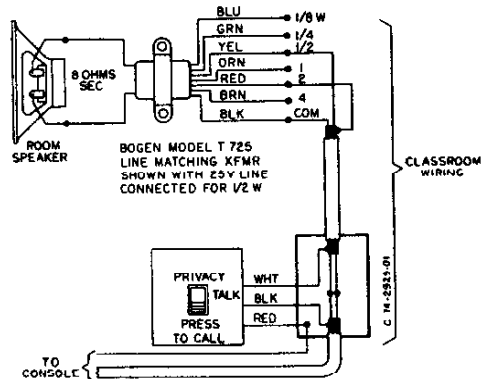


Figure 2 - Model CA-16A, Connecting Diagram

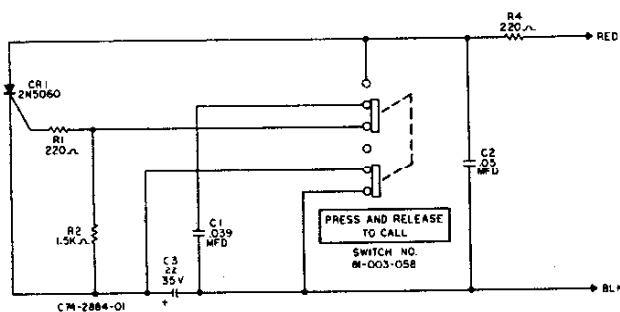


Figure 3 - Model CA-15A, Schematic Diagram

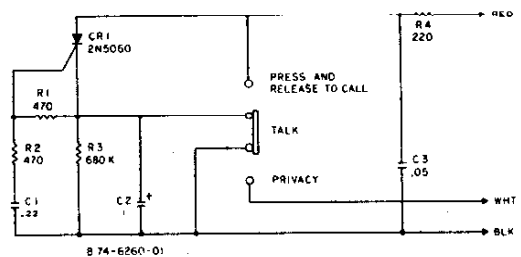


Figure 4 - Model CA-16A, Schematic Diagram