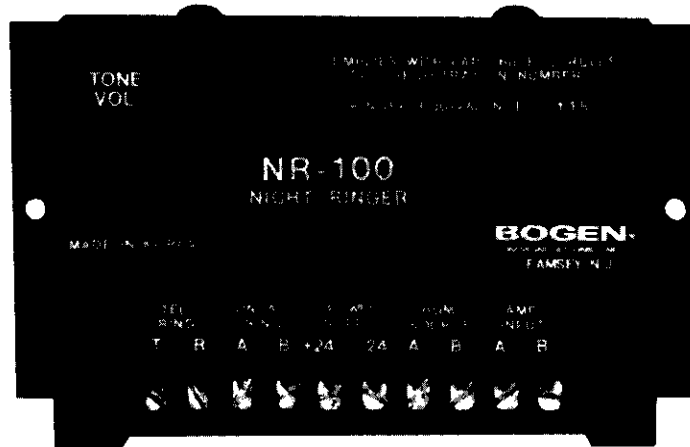


BOGEN[®]
COMMUNICATIONS, INC.

**NIGHT RINGER
MODEL NR-100**



SPECIFICATIONS

Registration No. under Part 68 of FCC Rules: CD23CH-17566-KX-N

Ringer Equivalency: 1.1B

Power Requirements:

Voltage – 24VDC

Current – 25mA

Inputs:

Terminal Strip – POWER SUPPLY +24/-24, TEL RING T/R,
CONTACT RING A/B, BGM SOURCE A/B

Output:

Terminals – AMP INPUT A/B

Maximum Tone Output Signal – -20dBm (77mV) into 600 ohms

Controls: TONE VOLUME

Ringer Tone: Dual frequency warble

Operating Temperature Range: 0 - 50° C

Enclosure: Steel finished in black enamel

Dimensions: 3"H x 5-1/4"W x 1-1/4"D (7.6x13.3x3.2cm)

Weight: 1 lb. (.45kg)

94-3663-02

Printed in U.S.A.

THE FOLLOWING INFORMATION IS REQUIRED BY PART 68 OF FCC RULES TO BE SUPPLIED TO THE PURCHASER OF REGISTERED EQUIPMENT.

This equipment complies with part 68 of FCC rules. The FCC registration number and ringer equivalence number are printed on the front panel of this equipment. You must, upon request, provide this information to your telephone company.

If this equipment causes harm to the telephone network, the telephone company may discontinue your service temporarily. If possible, they will notify you in advance. If advance notice is not practical, you will be notified as soon as possible. You will be notified of your right to file a complaint with the FCC.

The telephone company may ask that you disconnect this equipment from the network until the problem has been corrected or until you are sure that the equipment is not malfunctioning.

The telephone company may make changes in its facilities, equipment, operations, or procedures that could affect the proper functioning of your equipment. If so, you will be notified in advance to give you an opportunity to maintain uninterrupted telephone service.

Note that for all applications of this equipment, coin service lines and party lines may not be used.

This equipment is typically used as an adjunct device to other registered equipment (ie: PABX, 1A2 KEY, or ELECTRONIC KEY SYSTEM). Such host equipment may be leased. If so, permission of the owner should be obtained prior to the installation of this equipment.

If you experience trouble with this equipment, please contact the Service Department of Bogen Communications Inc. at 50 Spring Street, Ramsey, New Jersey 07446, telephone (201) 934-8500. Information will be provided on how to obtain service or repairs.

The Bogen Model NR-100 is an all solid-state night ringer that produces an electronic ringing tone over the loudspeakers of a paging/background music system. The device may be activated by a ring signal from a single telephone, or from a contact closure supplied by a suitable telephone interface device. The NR-100 is generally connected to the background music input of a paging amplifier (and the background music source connected to the NR-100). This arrangement permits muting of the background music source during the ring signal. On amplifiers with paging priority, the night ringer tone has priority over background music and paging has priority over both.

The NR-100 is ruggedly constructed and designed to be maintenance-free. It operates from a 24-volt DC source (Bogen Model PRS-ASAC power supply recommended) and includes flanges for wall-mounted installation. Use suitable fasteners when mounting to a wall or backboard.

UNPACKING. The NR-100 was carefully checked before leaving the factory. Inspect it and the shipping container for damage. Report damage to the distributor who supplied the equipment. If the unit was shipped to you, notify the transportation company and file a claim.

INSTALLATION. For single-line connection, connect the unit as shown in Figure 1. Use Figure 2 for multi-line connection. Note the following installation precautions:

1. Connect either the TEL RING or CONTACT RING terminals to the telephone system as shown in Figures 1 or 2. Do not use both types of ring inputs on the same device.
2. Connect the background music source to the BGM SOURCE A & B terminals. Connect the shield from the BGM source to the same-letter (A or B) terminal as the shield for the amplifier input to the AMP A & B terminals. (If the amplifier input is balanced, this precaution is not necessary.)

Following installation, test ring the unit and set the **TONE VOLUME** control to achieve an acceptable level. (This control is screwdriver-adjustable.)

TERMINAL CONNECTIONS

- TEL RING T & R** Connects to telephone line and activates the NR-100 upon detection of a telephone ring signal.
- CONTACT RING A & B** Activates the NR-100 when shorted through a normally-open dry contact (requires suitable multi-line interface).
- POWER SUPPLY +24 & -24** Connects to 24VDC supply capable of supplying 25mA. Bogen PRS-ASAC Power Supply is recommended. Connect power supply only as shown in Figures 1 or 2. Do not ground either of the power supply terminals. **Be sure to observe correct polarity.**
- BGM SOURCE A & B** Connects to background music source. This input is muted upon activation of the NR-100.
- AMP INPUT A & B** Output terminals to the paging system. On Bogen paging amplifiers, these terminals are connected to the MUSIC/AUX input.

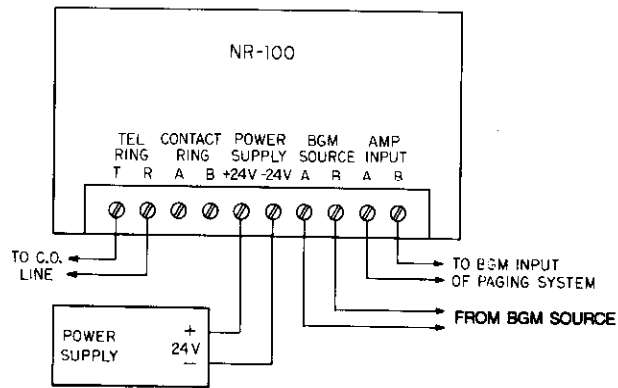


Figure 1 - NR-100 Single-Line Connection

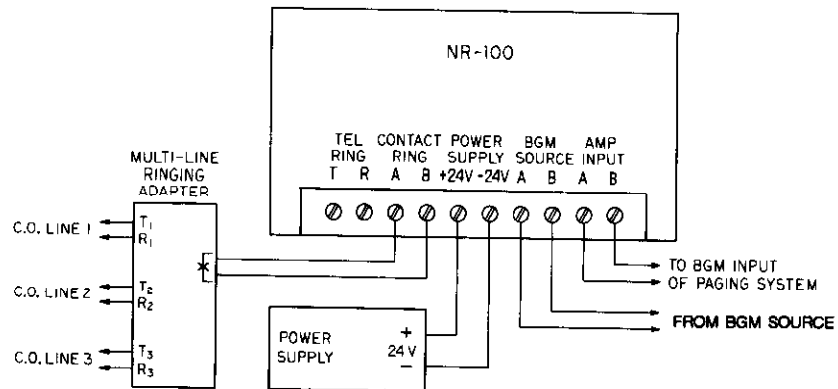


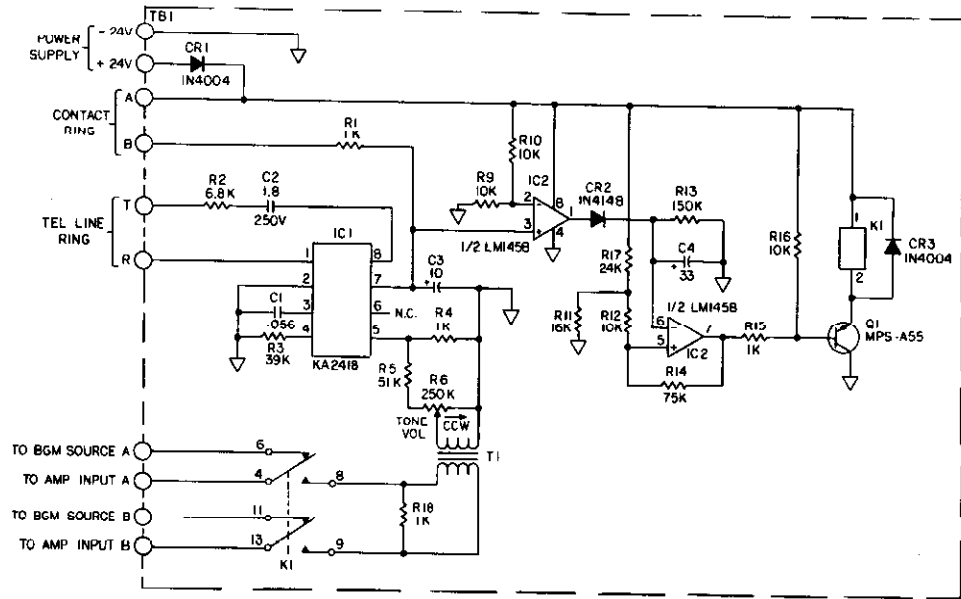
Figure 2 - NR-100 Multi-Line Connection

SERVICE

Caution

There are no user-serviceable parts within the NR-100. Removal of the cover can void the warranty. All repairs should be performed by the Bogen service department or authorized repair agency.

We are interested in the maintenance of your Bogen equipment. If trouble ever develops, return it to Service Department, Bogen Communications Inc., 50 Spring Street, Ramsey, NJ 07446. When shipping the unit, use the original shipping carton or similar container and filler material to prevent damage. Ship the unit, insured and prepaid, by responsible carrier. It will be promptly repaired and returned to you collect (freight prepaid while under warranty).



NOTES:
 1. UNLESS OTHERWISE SPECIFIED:
 ALL RESISTORS ARE 1/4W, 5%;
 CAPACITORS ARE IN MFD.

74-6319-01

NR-100 Schematic Diagram

BOGEN
 COMMUNICATIONS, INC.
 50 SPRING STREET, P. O. Box 575
 RAMSEY, NJ 07446 (201) 934-8500