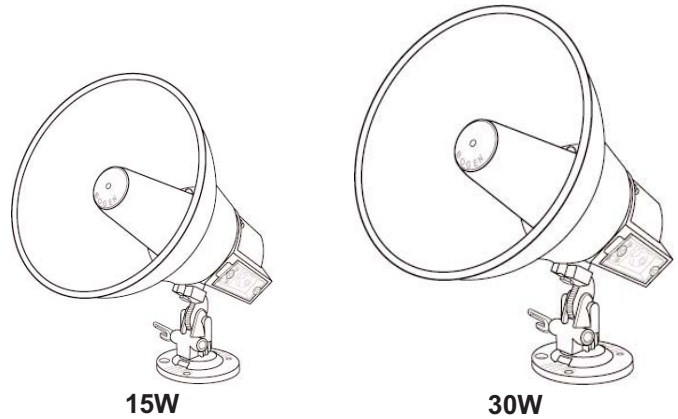




SP158A, SPT15A, SP308A, SPT30A

15/30-Watt Horn Loudspeakers



Installation Instructions

STEP 1 - For easier installation, remove the mounting base from the speaker by unscrewing the wing nut while at the same time pressing inwardly on the wing nut. Place the mounting base flush on the mounting surface and mark the location of the three holes with either a marker or chisel. It is important that the three holes be exactly aligned with the mounting base, otherwise you might stress the base or make the connection unsteady. Use appropriate hardware for your specific mounting surface.

NOTE: Speaker may also be strap-mounted through the slot in mounting base using standard 1/2-inch industrial strapping (not included).

STEP 2 - After mounting the base, reattach the speaker and aim the speaker for the desired coverage angle. A 45° downward angle is recommended, but this may vary depending upon speaker layout. Unless otherwise indicated, do not aim speakers directly at each other or poor paging intelligibility may occur.

STEP 3 - Remove the plastic cover to expose the connecting screws (see Figure 2). Strip the ends of the connecting wires about 1/4" and connect them to the terminals. The terminals are numbered to indicate phasing.

Provide cable strain relief by laying the cables within the recess on the casting and holding it tight with the plastic cover. The narrow recess is for zip or two-conductor cable; the wide recess is for shielded cable.

Connect wires as listed below:

Amplifier Output	Speaker Connections
70V, 25V, or 8 ohms	Terminal 1
COM	Terminal 2

NOTE: These are recommended connections. The speaker will also work perfectly well with these connections reversed, but be consistent in wiring connections.

STEP 4 - Adjust the tap set control to the desired setting. See table (Figure 3 on next page) for tap settings and sound pressure levels for the different horn loudspeakers. Replace the plastic protective cover back over the exposed area.

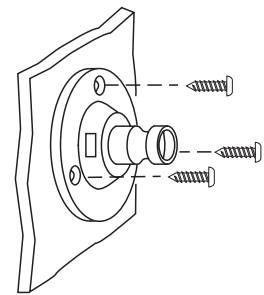


Figure 1. Mounting Base and Strap Mounting Slot

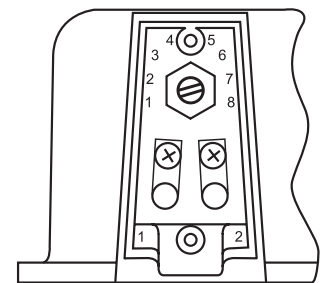


Figure 2. Tap Set Control and Connecting Screw Terminals (SPT15A/SPT30A only)

Figure 3

Tap Set	SPT15A				SPT30A			
	@25V		@70V		@25V		@70V	
	Watts	dBspl*	Watts	dBspl*	Watts	dBspl*	Watts	dBspl*
1	—	—	0.9	109	—	—	1.8	113
2	—	—	1.8	112	—	—	3.7	116
3	0.48	106	3.8	115	—	—	7.5	119
4	0.94	109	7.5	118	1.8	113	15	122
5	1.8	112	15.0	121	3.7	116	30	125
6	7.5	118	—	—	7.5	119	—	—
7	15.0	121	—	—	15.0	122	—	—
8	Not Used		Not Used		Not Used		Not Used	

* at four feet

Technical Specifications

	SP158A	SPT15A	SP308A	SPT30A
Power Rating (RMS)	15 watts continuous, 20 watts equalized		30 watts continuous, 40 watts equalized	
Frequency Response	275Hz to 14kHz		225Hz to 14kHz	
Impedance	8 ohms	25/70 volts	8 ohms	25/70 volts
Sound Pressure Level	121dB @ 4 feet on axis with 15 watt input @ 1000Hz		125dB @ 4 feet on axis with 30 watt input @ 1000Hz	
Dispersion	110°		100°	
Dimensions	9" Diameter x 9-1/4" D		11" Diameter x 10-1/2" D	
Shipping Weight	4 lb.	4-1/2 lb.	6 lb.	6 lb.
Finish	Textured mocha enamel			

Warranty

The Bogen SP158A, SPT15A, SP308A, and SPT30A are warranted to be free from defects in material or workmanship from the date of sale to the original purchaser for the lifetime of the products. This warranty is not transferable to subsequent owners of the product. Any part of the product covered by this warranty that, with normal installation and use, becomes defective will be repaired or replaced by Bogen, at our option, provided the product is shipped insured and prepaid to: Bogen Factory Service Department, 50 Spring Street, Ramsey, NJ 07446, USA. The product will be returned to you freight prepaid. This warranty does not extend to any of our products that have been subjected to abuse, misuse, improper storage, neglect, accident, improper installation or have been modified or repaired or altered in any manner whatsoever, or where the serial number or date code has been removed or defaced.

THE FOREGOING LIMITED WARRANTY IS BOGEN'S SOLE AND EXCLUSIVE WARRANTY AND THE PURCHASER'S SOLE AND EXCLUSIVE REMEDY. BOGEN MAKES NO OTHER WARRANTIES OF ANY KIND, EITHER EXPRESS OR IMPLIED, AND ALL IMPLIED WARRANTIES OF MERCHANTABILITY OR FITNESS FOR A PARTICULAR PURPOSE ARE HEREBY DISCLAIMED AND EXCLUDED TO THE MAXIMUM EXTENT ALLOWABLE BY LAW.

Bogen's liability arising out of the manufacture, sale or supplying of products or their use or disposition, whether based upon warranty, contract, tort or otherwise, shall be limited to the price of the product. In no event shall Bogen be liable for special, incidental or consequential damages (including, but not limited to, loss of profits, loss of data or loss of use damages) arising out of the manufacture, sale or supplying of products, even if Bogen has been advised of the possibility of such damages or losses. Some States do not allow the exclusion or limitation of incidental or consequential damages, so the above limitation or exclusion may not apply to you. This warranty gives you specific legal rights, and you may also have other rights which vary from State to State.

Products that are out of warranty will also be repaired by the Bogen Factory Service Department -- same address as above or call 201-934-8500. The parts and labor involved in these repairs are warranted for 90 days when repaired by the Bogen Factory Service Department. All shipping charges in addition to parts and labor charges will be at the owner's expense. All returns require a Return Authorization number.

08/10/2004

BOGEN®
COMMUNICATIONS, INC.

50 Spring Street, Ramsey, NJ 07446, U.S.A.
 201-934-8500; Fax: 201-934-9832
www.bogen.com